

# HMWB30WS

## LOW-PROFILE WALL HOOD WITH BLOWER

### (30-INCH WIDTH)

MASTERPIECE® SERIES



#### FEATURES & BENEFITS

- Masterpiece® Series wall hoods add distinct flair to your kitchen and crafted to complete the ultimate Thermador cooking system
- ★ - Noise Control Technology™ reduces noise while hood is in use
- ★ - Equipped with the Thermador Connected Experience by Home Connect™
  - Cooktop Hood Sync enables control through Freedom® Induction Cooktop
  - Beautiful illumination with multi-level, vivid LED lights

#### ACCESSORIES (OPTIONAL)

16" Tall Duct Cover, 30" Wide	DCT3016W
28" - 65" Tall Duct Cover, 30" Wide	DC30MTW
Recirculation Kit	
RECHMWB30 - For 30" HMWB30WS only	
Replacement Charcoal Filter	
CHFILT3036 - For use with recirculation kit RECHMWBxx	
Built-In Remote Control Panel	
REMCPPW - Ability to vertically install on cabinetry or wall to control hood in a convenient location	

#### GENERAL PROPERTIES

##### Features

Cooktop Hood-Sync Enabled, Noise Control Technology™, Multi-Level LED Lights with Fading Transitions, Automatic Mode, Check Filter Reminder Light, Delay Shut-Off

Operating Mode	Convertible: Ducted / Recirculating
Maximum CFM	600 CFM
Sones*	1.9
Number of Speed Settings	4-Stage
Motor Location	Integrated
Number Of Lights	2
Bulb Type	LED
Total Power Of The Lamps (W)	2.4
Damper Included	Yes
Grease Filter Material	Washable Stainless Steel
Grease Filter Type	Hybrid Mesh
Home Connect™ (Wi-Fi Enabled)	Yes

#### TECHNICAL DETAILS

Watts (W)	455 W
Current (A)	15 A
Volts (V)	120 V
Frequency (Hz)	60 HZ
Plug Type	120V-3 Prong

#### DIMENSIONS & WEIGHT

Overall Appliance Dimensions (Width Of Canopy Included) (HxWxD) (in)	11" x 29 15/16" x 23 1/8"
Minimum Required Distance Above Gas / Electric Cooking Surface	30" / 30"
Diameter of Air Duct (in) Top	10"
Net Weight (lbs)	42 lbs

#### WARRANTY

Limited Warranty Parts And Labor	2 Year
----------------------------------	--------

\*Measured on speed 1 in ducted installation

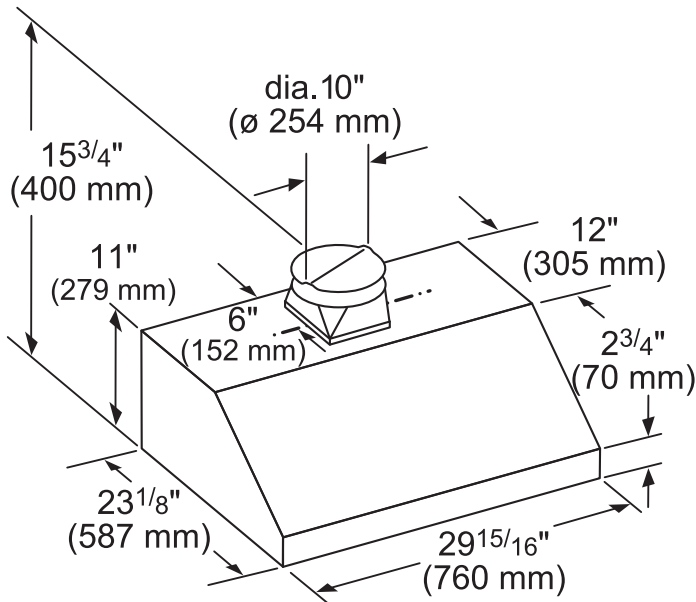
# HMWB30WS

## LOW-PROFILE WALL HOOD WITH BLOWER (30-INCH WIDTH)

MASTERPIECE® SERIES



### HOOD DIMENSIONS



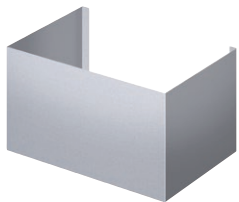
measurements in inches (mm)

### OPTIONAL ACCESSORIES

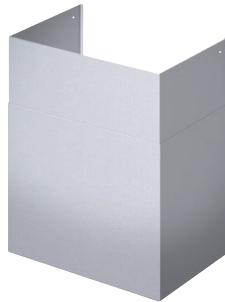
#### 30" WIDE DUCT COVER

Stainless steel duct cover for wall hood applications

**DCT3016W 16" TALL**



**DC30MTW 28"-65" TALL**



#### RECIRCULATION KIT RECHMWB30

For HMWB30WS 30" low-profile wall hood only.  
Ideal for applications where ducting out is not possible

#### REPLACEMENT CHARCOAL FILTERS CHFILT3036

For Use With Recirculation Kit RECHMWBxx

#### REMOTE CONTROL PANEL REMCPW



Convenience at your fingertips: The remote control accessory offers the freedom to extend your hood controls to a more reachable spot

These warranties give you specific legal rights and you may have other rights that vary from state to state. Full warranty and limited warranty from date of installation. For complete warranty details, refer to your Use & Care manual, or ask your dealer.

Specifications are for planning purposes only. Refer to installation instructions and consult your countertop supplier prior to making counter opening. Consult with a heating and ventilation engineer for your specific ventilation requirements. For the most detailed information, refer to installation instructions accompanying product or write to Thermador indicating the model number. Specifications are correct at time of printing. Thermador reserves the right to change product specifications or design without notice. Some models are certified for use in Canada. Thermador is not responsible for products that are transported from the U.S. for use in Canada.