

# HMWB361WS

## LOW-PROFILE WALL HOOD WITH BLOWER

### (36-INCH WIDTH)

MASTERPIECE® SERIES



#### FEATURES & BENEFITS

- Masterpiece® Series wall hoods add distinct flair to your kitchen and crafted to complete the ultimate Thermador cooking system
- ★ - Noise Control Technology™ reduces noise while hood is in use
- ★ - Equipped with the Thermador Connected Experience by Home Connect™
  - Cooktop Hood Sync enables control through Freedom® Induction Cooktop
  - Beautiful illumination with multi-level, vivid LED lights

#### ACCESSORIES (OPTIONAL)

16" Tall Duct Cover, 36" Wide	DC3616W
28" - 65" Tall Duct Cover, 36" Wide	DC36MTW
Built-In Remote Control Panel	
REMCPW - Ability to vertically install on cabinetry or wall to control hood in a convenient location	
Roof Jack	RJ310
8" Wall Cap	WC8
10" Wall Cap	WC10

#### GENERAL PROPERTIES

##### Features

Cooktop Hood-Sync Enabled, Noise Control Technology™, Multi-Level LED Lights with Fading Transitions, Automatic Mode, Check Filter Reminder Light, Delay Shut-Off

Operating Mode	Convertible: Ducted / Recirculating
Maximum CFM	1000 CFM
Sones*	2.5
Number of Speed Settings	4-Stage
Motor Location	Integrated
Number Of Lights	2
Bulb Type	LED
Total Power Of The Lamps (W)	2.4
Damper Included	Yes
Grease Filter Material	Washable Stainless Steel
Grease Filter Type	Hybrid Mesh
Home Connect™ (Wi-Fi Enabled)	Yes

#### TECHNICAL DETAILS

Watts (W)	905 W
Current (A)	15 A
Volts (V)	120 V
Frequency (Hz)	60 HZ
Plug Type	120V-3 Prong

#### DIMENSIONS & WEIGHT

Overall Appliance Dimensions (Width Of Canopy Included) (HxWxD) (in)	15 3/4" x 35 15/16" x 23 1/8"
Required Distance Above Cooktop / Range Cooking Surface	30" / 30"
Diameter of Air Duct (in) Top	10"
Net Weight (lbs)	58 lbs

#### WARRANTY

Limited Warranty Parts And Labor	2 Year
----------------------------------	--------

\*Measured on speed 1 in ducted installation

# HMWB361WS

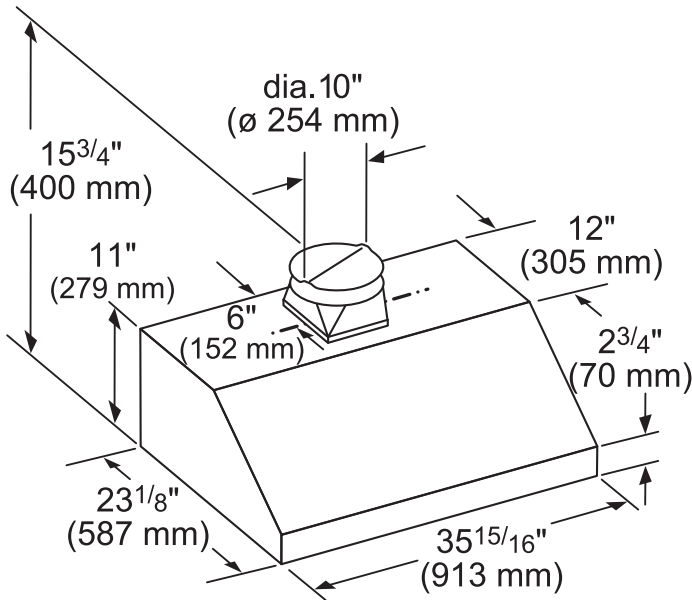
## LOW-PROFILE WALL HOOD WITH BLOWER

### (36-INCH WIDTH)

MASTERPIECE® SERIES



#### HOOD DIMENSIONS

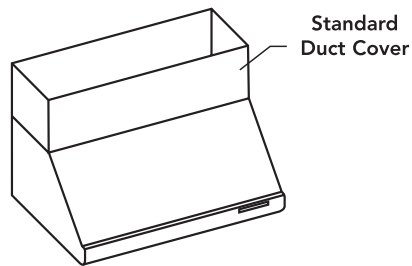


measurements in inches (mm)

#### OPTIONAL ACCESSORIES

- 36" WIDE DUCT COVER**  
**DC3616W** 16" TALL  
**DC36MTW** 28"-65" TALL

Stainless steel duct cover for wall hood applications



#### REMOTE CONTROL PANEL

##### REMCPW

Convenience at your fingertips: The remote control accessory offers the freedom to extend your hood controls to a more reachable spot

# HMWB361WS

## LOW-PROFILE WALL HOOD WITH BLOWER

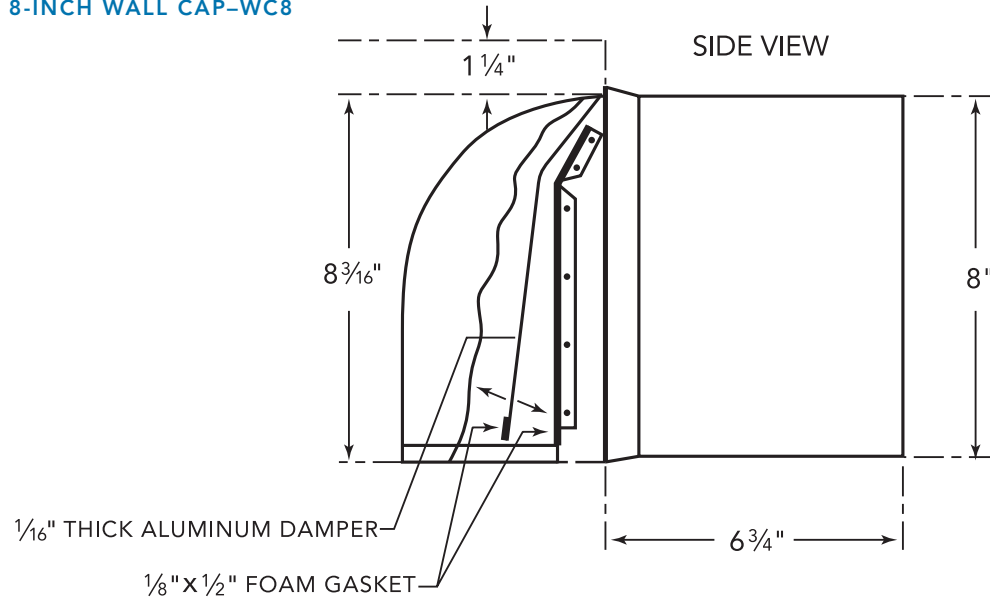
### (36-INCH WIDTH)

MASTERPIECE® SERIES



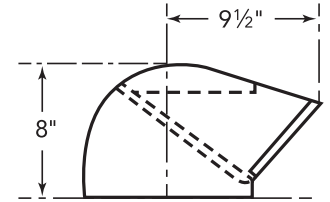
#### WALL CAPS

##### 8-INCH WALL CAP-WC8

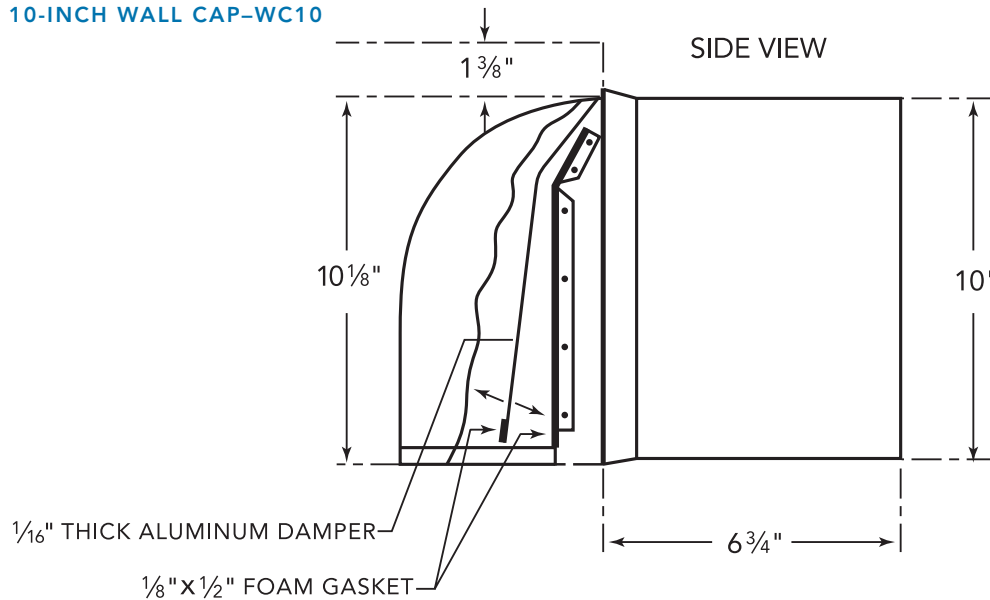


#### ROOF JACK & TRANSITION

##### ROOF JACK-RJ310



##### 10-INCH WALL CAP-WC10



These warranties give you specific legal rights and you may have other rights that vary from state to state. Full warranty and limited warranty from date of installation. For complete warranty details, refer to your Use & Care manual, or ask your dealer.

Specifications are for planning purposes only. Refer to installation instructions and consult your countertop supplier prior to making counter opening. Consult with a heating and ventilation engineer for your specific ventilation requirements. For the most detailed information, refer to installation instructions accompanying product or write to Thermador indicating the model number. Specifications are correct at time of printing. Thermador reserves the right to change product specifications or design without notice. Some models are certified for use in Canada. Thermador is not responsible for products that are transported from the U.S. for use in Canada.