

Use and Care
GUIDE

Professional Series Hoods



Use and Care
GUIDE

Professional Series Hoods

Table of Contents (English) 4
Table de Matières (Français)..... 20

**Models/
Modèles :**

- PH30HWS
- PH36HWS
- PH48HWS
- PH36GWS
- PH42GWS
- PH48GWS
- PH54GWS
- PH60GWS
- VCIN36WS
- VCIN42WS
- VCIN48WS
- VCIN54WS
- VCIN60WS
- HPCN36WS
- HPCN48WS
- HPIN42WS
- HPIN54WS

Home Connect User's Information

Wi-Fi® Module

FCC/IC Statements

Model: COM2
FCC ID: 2AHES-COM2
IC: 21152-COM2

The Home Connect module is a communication device designed to provide communication between appliances and smart devices.

This module is integrated at the factory, under direct control of BSH Home Appliances Corporation, and is not user serviceable or upgradable. At least 20 cm separation distance should be maintained from device to user.

FCC COMPLIANCE STATEMENT

CAUTION: Changes or modifications not expressly approved could void your authority to use this equipment.

This device complies with Part 15 of the FCC Rules. Operation to the following two conditions:
(1) This device may not cause harmful interference, and (2) This device must accept any interference received, including interference that may cause undesired operation.

INDUSTRY CANADA STATEMENT

This device complies with Industry Canada licence-exempt RSS standard(s). Operation is subject to the following two conditions: (1) this device may not cause interference, and (2) this device must accept any interference, including interference that may cause undesired operation of the device.

Operation in the band 5150-5250 MHz is only for indoor use to reduce the potential for harmful interference to co-channel mobile satellite systems.

Le présent appareil est conforme aux CNR d'Industrie Canada applicables aux appareils radio exempts de licence. L'exploitation est autorisée aux deux conditions suivantes : (1) l'appareil ne doit pas produire de brouillage, et (2) l'utilisateur de l'appareil doit accepter tout brouillage radioélectrique subi, même si le brouillage est susceptible d'en compromettre le fonctionnement.

Le fonctionnement dans la plage de 5150 à 5250 MHz est uniquement pour une utilisation intérieure afin de réduire le potentiel d'interférences nuisibles aux systèmes de satellites mobiles sur les canaux.

Congratulations!

Congratulations on your recent Thermador purchase! Whether you are a dedicated chef or simply a connoisseur of the art of cooking, owning a Thermador kitchen is the ultimate expression of personal style, good taste and an appreciation for the complete culinary experience. Our award-winning products have been empowering culinary enthusiasts for more than eleven decades.

Before you begin using your new Thermador product, please take a moment to review the Use and Care Guide. You will find the answers to all of your questions as well as some very important safety information. Pay special attention to the *Important Safety Instructions* located at the beginning of the manual. Your Thermador product is ready and waiting to be used for your next gourmet creation!

Our products are handcrafted with the highest quality authentic materials to ensure years of reliable service. In the unlikely event that you have a service question, please have your model and serial numbers of your product available (see the "*Before Calling For Service*" section for location).

We realize that you have made a considerable investment in your kitchen. Please feel free to share your Thermador kitchen photos and remodeling stories with us. Follow us on Twitter or post your kitchen photos on Facebook. We would love to hear from you!

Thermador wishes you many years of creative cooking.

Félicitations!

Félicitations pour votre récent achat Thermador! Que vous soyez un chef enthousiaste ou un simple connaisseur de l'art culinaire, le fait de posséder une cuisine Thermador représente l'expression ultime de votre style personnel, de votre bon goût et de votre intérêt à vivre une expérience culinaire complète. Nos produits primés permettent à des adeptes de la bonne bouffe d'atteindre de nouveaux sommets depuis plus de onze décennies.

Avant de commencer à utiliser votre nouveau produit Thermador, veuillez prendre un moment pour examiner ce guide d'utilisation et d'entretien. Vous trouverez des réponses à toutes vos questions ainsi que quelques renseignements essentiels en matière de sécurité. Portez une attention particulière aux *Instructions de sécurité importantes* se trouvant au début du guide. Votre produit Thermador est prêt et n'attend plus que vous l'utilisiez pour votre prochaine création gastronomique!

Nos produits sont fabriqués à la main avec des matériaux authentiques de haute qualité afin d'assurer des années de service fiable. Dans l'éventualité improbable où vous auriez une question relativement à l'entretien, veuillez avoir à la portée de la main le numéro de série et de modèle de votre produit (reportez vous "*Avant d'appeler le service technique*").

Nous savons bien que vous avez investi une somme considérable dans votre cuisine. N'hésitez pas à partager avec nous les photos de votre cuisine Thermador et les anecdotes relatives au remodelage de votre cuisine. Suivez-nous sur Twitter ou affichez des photos de votre cuisine sur Facebook. Nous serions ravis d'avoir de vos nouvelles!

Thermador vous souhaite de nombreuses années de gastronomie créative.

Table of CONTENTS

Safety 5
 Important Safety Instructions..... 5
 Introduction 7
 Before You Begin 7
 Operating the Appliance 7
 Overview 7
 Touch Control Panel 9
 Operating the Hood 10
 Home Connect™ 11
 Setup 11
 Care and Cleaning 14
 Filter and Grease Tray Cleaning 14
 Hood Surface Cleaning 15
 Heat Lamps (certain models) 15
 Service 16
 Troubleshooting..... 16
 How to Obtain Service or Parts 17
 Product Data Rating Label..... 17
 Statement Of Limited Product Warranty 18
 Support, Accessories, and Parts back page

Safety DEFINITIONS

▲ WARNING

This indicates that death or serious injuries may occur as a result of non-observance of this warning.

▲ CAUTION

This indicates that minor or moderate injuries may occur as a result of non-observance of this warning.

NOTICE: This indicates that damage to the appliance or property may occur as a result of non-compliance with this advisory.

Note: This alerts you to important information and/or tips.

This THERMADOR® appliance is made by
 BSH Home Appliances Corporation
 1901 Main Street, Suite 600
 Irvine, CA 92614

Questions?
 1-800-735-4328
 www.thermador.com

We look forward to hearing from you!

⚠ **IMPORTANT SAFETY INSTRUCTIONS**

READ AND SAVE THESE INSTRUCTIONS

INSTALLER: Save these instructions for the local electrical inspector's use. Please leave these instructions with this unit for the owner. Show the owner the location of the circuit breaker. Mark it for easy reference.

OWNER: Read and save these instructions. Please retain these instructions for future reference.

⚠ **WARNING**

When properly cared for, your new appliance has been designed to be safe and reliable. Read all instructions carefully before use. These precautions will reduce the risk of burns, electric shock, fire, and injury to persons. When using kitchen appliances, basic safety precautions must be followed, including these in the following pages.

⚠ **WARNING**



If the information in this manual is not followed exactly, a fire or explosion may result causing property damage, personal injury or death.

- DO NOT store or use gasoline or other flammable vapors and liquids in the vicinity of this or any other appliance.
 - WHAT TO DO IF YOU SMELL GAS
 - DO NOT try to light any appliance.
 - DO NOT touch any electrical switch.
 - DO NOT use any phone in your building.
 - Immediately call your gas supplier from a neighbor's phone. Follow the gas supplier's instructions.
 - If you cannot reach your gas supplier, call the fire department.
 - Installation and service must be performed by a qualified installer, service agency or the gas supplier.
-

⚠ **WARNING**

To reduce the risk of injury to persons, in the event of a range top grease fire, observe the following:

- Smother flames with a close-fitting lid, cookie sheet, or other metal tray, then turn off the gas burner or the electric element. Be careful to prevent burns. If the flames do not go out immediately, evacuate and call the fire department.
 - Never pick up a flaming pan. You may be burned.
 - **DO NOT** use water, including wet dish cloths or towels, to extinguish flames – a violent steam explosion will result.
 - Use an extinguisher **ONLY** if:
 - You know you have a class ABC extinguisher and you already know how to operate it.
 - The fire is small and contained in the area where it started.
 - The fire department is being called.
 - You can fight the fire with your back to an exit.
-

⚠ **WARNING**

For general ventilating use only. To avoid a fire or explosion hazard, **DO NOT** use to exhaust hazardous or explosive materials or vapor.

⚠ **WARNING**

To reduce the risk of fire, electric shock, or injury to persons, observe the following:

- Use this unit only in the manner intended by the manufacturer. If you have questions, contact the manufacturer (800-735-4328).
 - Before servicing or cleaning the unit, switch power off at service panel and lock service panel. This will prevent power from being switched on accidentally. When the service panel cannot be locked, securely fasten a prominent warning device, such as a tag to the service panel.
-

Have an appropriate fire extinguisher available, nearby, highly visible and easily accessible near the cooking appliance.

IMPORTANT SAFETY INSTRUCTIONS

READ AND SAVE THESE INSTRUCTIONS

Always have a working smoke detector near the kitchen.

Smother flames from food fires, other than grease fires, with baking soda. Never use water on cooking fires.

Whenever possible, do not operate the ventilation system during a cooktop fire. However, do not reach through fire to turn it off.

If your garments or hair catch fire, fall to the ground immediately and roll to extinguish the flames.

Examine the appliance after unpacking it. In the event of transport damage, do not plug it in.

When children become old enough to use the appliance, it is the responsibility of the parents or guardian to ensure that they are instructed in safe practices by qualified persons.

WARNING

To reduce the risk of a grease fire:

- Never leave surface units unattended at high settings. Boilovers cause smoking and greasy spillovers that may ignite. Heat oils slowly on low or medium settings.
 - Always turn hood ON when cooking at high heat or when flambéing food (i.e. Crepes Suzette, cherries jubilee, peppercorn beef flambé).
 - Clean the appliance frequently. Grease should not be allowed to accumulate on the appliance.
 - Use proper pan size. Always use cookware appropriate for the size of the surface element or gas burner.
-

DO NOT allow anyone to climb, stand, lean, sit, or hang on any part of an appliance. This can damage the appliance and the unit may tip over, potentially causing severe injury.

DO NOT allow children to use this appliance unless closely supervised by an adult. Children and pets should not be left alone or unattended in the area where the appliance is in use. They should never be allowed to play in its vicinity, whether or not the appliance is in use.

CAUTION

Items of interest to children should not be stored in an appliance or in cabinets above an appliance. Children climbing on an appliance to reach items could be seriously injured.

State of California Proposition 65 Warning:

WARNING

This product can expose you to chemicals including vinyl chloride, which is known to the State of California to cause cancer and birth defects or other reproductive harm. For more information go to www.P65Warnings.ca.gov.

CAUTION

Grease left on filters can re-melt and move into the vent. Clean ventilating fans frequently. Grease should not be allowed to accumulate on fan, filters, or exhaust ducts.

Have the installer show you the location of the circuit breaker or fuse. Mark it for easy reference.

This appliance must be properly installed and grounded by a qualified technician. Connect only to properly grounded supply. Refer to installation instructions for details.

This appliance is intended for normal family household use only. It is not approved for outdoor use. Use of this product in a commercial setting or if installed outdoors will void the warranty. If you have any questions, contact the manufacturer.

DO NOT store or use corrosive chemicals, vapors, flammables, or nonfood products in or near this appliance. It is specifically designed for use when heating or cooking food. The use of corrosive chemicals in heating or cleaning will damage the appliance and could result in injury.

DO NOT operate this appliance if it is not working properly or if it has been damaged. Contact an authorized servicer.

WARNING

Repairs should only be done by a trained servicer. Improper repair of your appliance may result in risk of severe physical injury or death.

DO NOT repair or replace any part of the appliance unless specifically recommended in this manual.

For safety reasons and to avoid potential equipment damage, do not hang cookware, fabrics, or other articles from any part of the appliance.

Introduction

Before You Begin

Before using your appliance, be sure to read this manual. Pay special attention to the Important Safety Instructions located at the beginning of the manual.

All hoods require the choice of a remote, in-line, or integral blower. Use only Thermador® blowers with Thermador ventilation hoods. All blower models are sold separately. See the Ventilation Planning Guide for recommended blowers. Contact Customer Service for additional options.

⚠ WARNING

To avoid risk of burn, turn the hood ON when cooking at high heat or when flambéing food.

DO NOT use all heating elements or gas burners simultaneously at high settings for a prolonged period (max. 15 minutes).

If the hood is located over a gas cooktop, operate the hood at maximum setting whenever three or more gas burners are being used.

DO NOT operate the ventilation system during a cooktop fire.

All hood models are rated for 120 VAC, using a 15 or 20 amp circuit breaker; see the Installation Instructions for more details.

When connected to a GFCI-protected supply, the Pro Hoods are suitable for use in damp locations that are protected from outside weather conditions and not subject to saturation with water and other liquids, but can be subject to moderate degrees of moisture. Refer to local codes, NEC/CEC, and or the Authority Having Jurisdiction (AHJ) for additional information.

Operating the Appliance

Overview

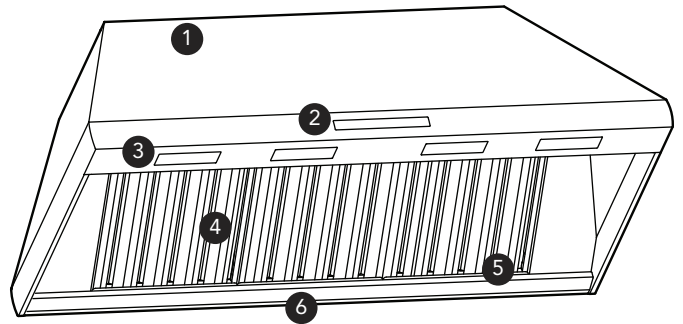
NOTE: The Use and Care Guide applies to several versions of this appliance. Accordingly, you may find descriptions of individual features that do not apply to your specific appliance.

IMPORTANT: DO NOT use cooktop, rangetop, or range while hood is disassembled.

Chimney Wall Hood

HPCNxxWS

24" (610 mm) in depth, with widths of 36" (914 mm) and 48" (1,219 mm). This model series features brushed stainless-steel canopy with LED lights.

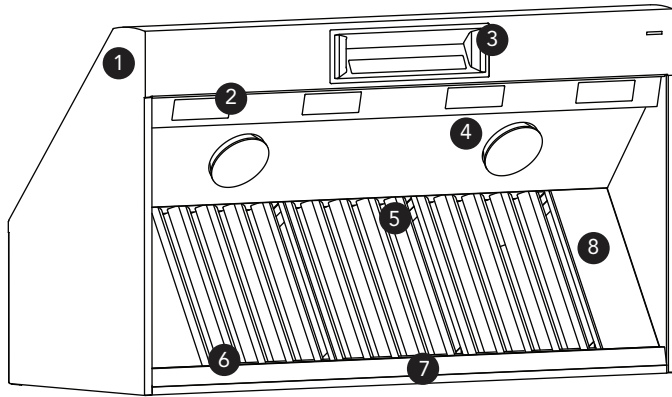


- (1) Hood canopy
- (2) Touch control panel
- (3) LED lights
- (4) Baffle filters
- (5) Grease trays
- (6) Grease tray trough

Wall Hood

PHxxGWS

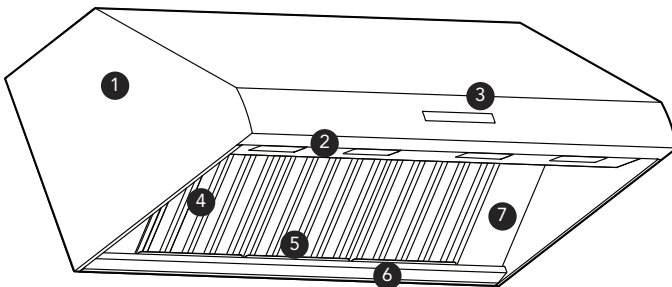
27" (686 mm) in depth, with widths of 36" (914 mm), 42" (1,067 mm), 48" (1,219 mm), 54" (1,372 mm) and 60" (1,524 mm). This model series features brushed stainless-steel canopy with LED lights and heat lamps.



- | | |
|-------------------------|--------------------|
| (1) Hood canopy | (2) LED lights |
| (3) Touch control panel | (4) Heat lamps |
| (5) Baffle filters | (6) Grease trays |
| (7) Grease tray trough | (8) Filter spacers |

PHxxGWS

24" (610 mm) in depth, with widths of 30" (762 mm), 36" (914 mm), and 48" (1,219 mm). This model series features brushed stainless-steel canopy with LED lights.

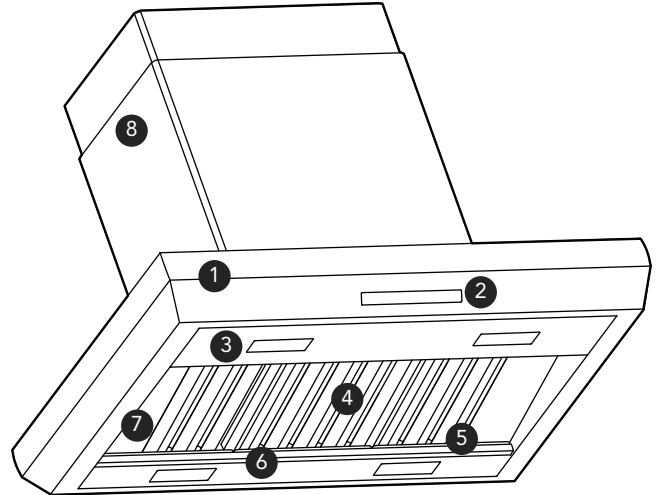


- | | |
|-------------------------|------------------------|
| (1) Hood canopy | (2) LED lights |
| (3) Touch control panel | (4) Baffle filters |
| (5) Grease trays | (6) Grease tray trough |
| (7) Filter spacers | |

Island Hood

HPINxxWS

27" (686 mm) in depth, with widths of 42" (1,067 mm) and 54" (1,372 mm). This model series features brushed stainless-steel canopy with LED lights.

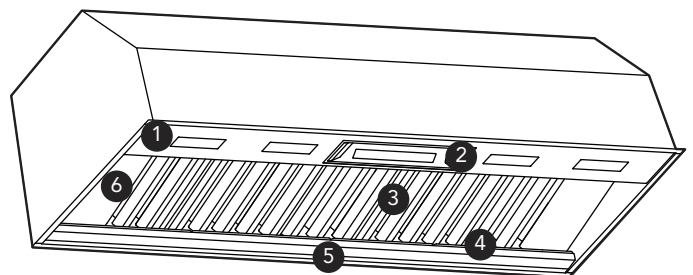


- | | |
|--------------------|-------------------------|
| (1) Hood canopy | (2) Touch control panel |
| (3) LED lights | (4) Baffle filters |
| (5) Grease trays | (6) Grease tray trough |
| (7) Filter spacers | (8) Telescopic flue |

Custom Insert Hood

VCINxxGWS

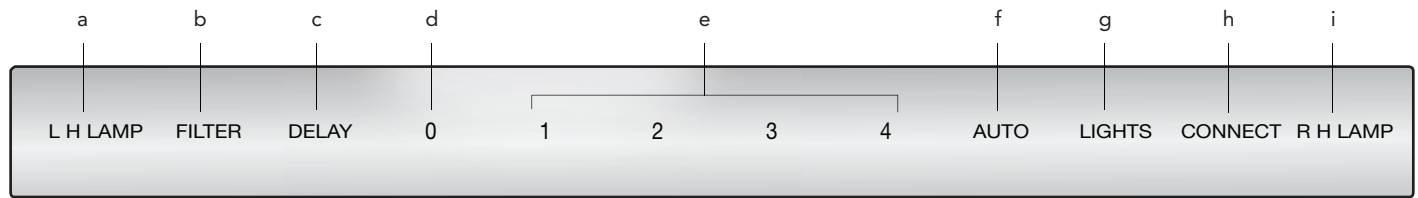
22" (559 mm) in depth, and with widths of 32¼" (820 mm), 39¾" (1,010 mm), 44¼" (1,125 mm), 50-3/8" (1,281 mm), or 56¼" (1,429 mm). This model series features brushed stainless-steel filters and LED lights.



- | | |
|------------------------|-------------------------|
| (1) LED lights | (2) Touch control panel |
| (3) Baffle filters | (4) Grease trays |
| (5) Grease tray trough | (6) Filter spacers |

Touch Control Panel

NOTE: Not all features referred to in this manual applies to all models.



(a) LH LAMP Left Heat Lamp (PHxxGWS only)

Independently controls the left infrared heating lamp, turning the lamp on or off.

(b) FILTER Clean Filter Reminder

After 40 hours of operation, the FILTER button will illuminate indicating that the filters need to be cleaned. When this indicator illuminates clean the filters as instructed on page 14.

To receive a reminder notification to clean the filters through the Home Connect™ app, activate the feature in the Settings section of the app. You may also review the status of the filter saturation within the Home Connect app.

To turn OFF the Clean Filter Reminder:

After cleaning, press and hold the FILTER button for 3 seconds until it beeps to reset the 40-hour period and to turn the reminder off.

(c) DELAY Delay Shut Off

If the blower is off when the DELAY button is pressed, the blower will turn on to the high speed setting for 10 minutes. At the end of the 10 minutes the blower will automatically turn off. If the blower is on when the DELAY button is pressed, the blower runs for 10 minutes from the time the DELAY button was pressed at the current speed then turns off. During the 10 minute timed period, the DELAY button is illuminated. To interrupt a timed period, press one of the fan speed buttons or 0 button to turn off.

An ability to choose a different time period other than the default setting is also possible through the Home Connect™ app in the SETTINGS menu.

(d) 0 OFF

Touch '0' once to turn the blower off and reset the control.

(e) 1 – 4 Fan Speed

Increases or decreases the blower speeds. The chosen blower speed LED will remain illuminated while in operation.

- 1 – Low
- 2 – Medium
- 3 – Medium/High
- 4 – High

You may also remotely control and monitor hood fan speeds through the Home Connect app. An ability to choose a different speed other than the default setting is also possible through the Home Connect app in the SETTINGS menu.

(f) AUTO Automatic Mode

When in AUTO mode, the hood automatically turns the blower on, depending on the amount of heat the control senses. It automatically adjusts every 5 minutes. If the control does not sense a high level of heat, it will turn the blower off.

(g) LIGHTS LED Light Control

This button controls the LED lighting. The first press turns the lights on. A second press dims the lights. A third press turns the lights off. An 0 –100% light slider in Home Connect app allows additional control to obtain the perfect level of light.

(h) **CONNECT Home Connect™**

This function allows the user to connect the hood with a mobile device.

(i) **RH LAMP Right Heat Lamp (PHxxGWS only)**

Independently controls the right infrared heating lamp, turning the light on or off.



Control Tone

To turn the control tone off or on, hold the FILTER and LIGHTS button for 3 seconds. The control tone may also be turned off or on through the SETTINGS section of the Home Connect app.

Operating the Hood

For Better Results

- The blower should be turned on for about 5 minutes before cooking in order to establish air currents upward through the hood. Thus when heat, smoke, moisture, grease and cooking odors are produced, they will be carried outside instead of drifting into other rooms.
- Use the lower speeds for normal use and the higher speeds for strong odors or fumes.
- Drafts across the range or cooktop will reduce the effectiveness of the hood. Such drafts should be prevented when possible.
- The best job of ventilation in the kitchen is done where the only air currents are those created by the blower itself.
- Regular use of the fan system while cooking helps keep the kitchen comfortable and less humid.
- Use a rear burner when browning or pan frying meat.
- For optimal performance, the width of the hood should equal that of the cooktop or rangetop or exceed it by 3 inches on either side. Install these hoods only with Thermador blowers.

Home Connect™

With Home Connect™, the appliance is Wi-Fi capable and can be remotely controlled using a mobile device (e.g. tablet or smartphone). The Home Connect app offers additional functions which are a perfect complement to the networked appliance.

Home Connect does not work over Wi-Fi networks that require browser registration, i.e. a user name and password entered via a web browser.

You should have a stable wireless network with good reception and access to the internet.

If the appliance is not connected to the WLAN network (home network), it functions in the same way as a typical appliance with no network connection and can be operated as usual.

NOTE: Please ensure that you follow the safety instructions given at the beginning of this instruction manual and that these are also observed when operating the appliance via the Home Connect app and when away from home. Please also follow the instructions in the Home Connect app.

NOTE: Operation on the appliance itself always takes priority, and during this time it is not possible to operate the appliance using the Home Connect app.

Setup

To implement settings via Home Connect™, you must have installed the Home Connect app on a mobile device (e.g. tablet or smartphone). Please observe the supplied Home Connect documents that came with your appliance with regard to this feature.

Follow the steps specified by the app to implement the settings.

What do you need to connect your appliance to Home Connect™?

1. Your appliance must be installed properly.
2. A smartphone or tablet equipped with the latest version of iOS or Android operating system.
3. Your home appliance within the Wi-Fi signal of your home network.
4. The name of your Wi-Fi network (SSID) and its password (key).

IMPORTANT INFORMATION ABOUT DATA SECURITY:

The transfer of data is always encrypted. Home Connect meets the highest security standards, which are continuously reviewed. For further information visit www.home-connect.com.

Information:

We are constantly working to improve the Home Connect app, which may lead to differences in the setup steps. Please rely on the instructions in the latest version of the Home Connect app to guide you through the setup process.

STEP 1: Download the Home Connect app and create a user account

1. Open the App Store (Apple® devices) or Google Play™ store (Android™ devices) on your smartphone or tablet.
2. Search for the **HOME CONNECT** app in the store's search and install it.

The Home Connect app: 

3. Open the app and register to create a Home Connect account.
4. Write down your Home Connect account credentials (user account and password). You will need them later.

Save your Home Connect login details here:

Network name
(SSID):.....
Password
(Key):.....

The app will guide you through the steps of adding your appliance to Home Connect.

STEP 2: Connect your appliance to your home network

1. Your appliance must be installed properly.
2. Open your Home Connect app to add an appliance.
3. Please follow the directions in the app and refer to the Home Connect Guide only when prompted by the app.

STEP 2.1: Connect your appliance to your home network with WPS

Please enter STEP 2.1 only when prompted by the app. The following steps describe operations at the appliance itself.

NOTE: To connect the hood to your home network, the hood and the lights must be **OFF**.

You can cancel the process at any time by pressing **0**.

1. Press and hold the **CONNECT** button until **0** and **CONNECT** flash.
2. Press **1**.
 - **1** and **CONNECT** will flash.
3. Press the **WPS button** on your router.
 - Please consult your router's manual to locate the WPS button.
 - When **CONNECT** and **3** flashes your appliance is connected to the home network.
 - The app will get notified once your appliance has been successfully connected to your Wi-Fi network.
4. Follow the directions in the app.

NOTICE:

ERROR: If the **CONNECT** and **2** light flashes then the appliance could not establish a connection with your home Wi-Fi within 2 minutes.

FIX: Check whether your appliance is in range of your Wi-Fi and repeat the process. If unsuccessful, refer to STEP 2.2 to connect the appliance manually.

STEP 2.2: Connect your appliance to your home network step-by-step

Please enter STEP 2.2 only when prompted by the app. The following steps describe operations at the appliance itself.

NOTE: To connect the hood to your home network, the hood and the light must be **OFF**.

You can cancel the process at any time by pressing **0**.

1. Press and hold the **CONNECT** button until **0** and **CONNECT** flash.

2. Press **2**.
 - **2** and **CONNECT** will flash.
 - The appliance will open a temporary Wi-Fi network called "HomeConnect" with the password "HomeConnect" for 2 minutes.
 - The app provides your home Wi-Fi network name (SSID) and its password via this temporary Wi-Fi network to the appliance enabling the appliance to connect to your home Wi-Fi network.
 - When **CONNECT** and **3** flashes your appliance is connected to the home network.
3. Follow the directions in the app.

STEP 3: Connect your appliance to the Home Connect™ app

Please enter STEP 3 only when prompted by the app. The following steps describe operations at the appliance itself.

1. Press and hold the **CONNECT** button until **0** and **CONNECT** flash.
2. Follow the directions in the app.
 - The registration process is complete once **CONNECT** stops flashing on the hood.

You have successfully connected your appliance. You can now benefit from all the advantages of the Home Connect™ app!

NOTICE:

ERROR: The appliance fails to connect to the app (the **CONNECT** light will turn **OFF**).

FIX: Ensure your smartphone or tablet is connected to the same home network (Wi-Fi). Check that your wireless connection is stable and has a strong signal. Then repeat the process from STEP 2.2.

Connecting your appliance to another Home Connect account

If you want to change the wireless home network that is connected to the hood, reset the connection to your hood by:

1. Press and hold the **CONNECT** and **0** buttons on your hood for at least 3 seconds.
 - The **CONNECT** button will turn off.
2. Repeat the connection to your home network.

Software update

Using the software update function, your appliance's software can be updated (e.g. for the purpose of optimization, troubleshooting or security updates). To do this, you need to be a registered Home Connect™ user, have installed the app on your mobile device and be connected to the Home Connect™ server.

As soon as a software update is available, you will be informed through the Home Connect™ app and will be able to start the software update via the app.

Once the update has been successfully downloaded, you can start installing it via the Home Connect™ app if you are on your local area network.

The Home Connect™ app will inform you once installation is complete.

Notes:

- You can continue to use your appliance as normal while updates are downloading.
- Depending on your personal settings in the app, software updates can also be set to download automatically.
- We recommend that you install security updates as soon as possible.

About Data Protection

When your appliance is connected for the first time to a WLAN network, which is connected to the Internet, your appliance transmits the following categories of data to the Home Connect server (initial registration):

- Unique appliance identification (consisting of appliance codes as well as the MAC address of the installed Wi-Fi communication module).
- Security certificate of the Wi-Fi communication module (to ensure a secure IT connection).
- The current software and hardware version of your domestic appliance.
- Status of any previous resetting to factory settings.

This initial registration prepares the Home Connect functions for use and is only required when you want to use these Home Connect functions for the first time.

NOTE: Ensure that the Home Connect functions can be used only in conjunction with the Home Connect app. Information on data protection can be accessed in the Home Connect app.

Declaration of Conformity

BSH Home Appliances hereby declares that the appliance which features Home Connect is in accordance with the basic requirements and the other relevant provisions of the directive 1999/5/EC.



Care and Cleaning

Filter and Grease Tray Cleaning

⚠ WARNING

Be sure the entire appliance (including the filters and lights) has cooled and grease has solidified before attempting to clean any part of the appliance.

⚠ CAUTION

DO NOT use the cooktop, rangetop, or range while hood is disassembled.

Your hood has removable stainless steel filters and stainless steel grease trays. They must be cleaned when the FILTER light illuminates on the Touch Control Panel or whenever they collect grease. When used over a grill, wok or other high grease applications, more frequent cleaning may be required.

The filters and grease trays can be washed by hand or in the dishwasher. Soak the ventilation filters in hot water using a mild detergent. Rinse well and shake to dry.

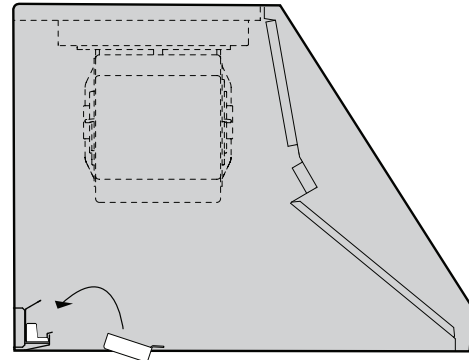
Slight discoloration can occur when cleaning the filters in a dishwasher. This has no influence on the function of the grease filters.

NOTE: Reverse the directions below to remove the filters and grease trays. Ensure filters are cool and grease has congealed before removal.

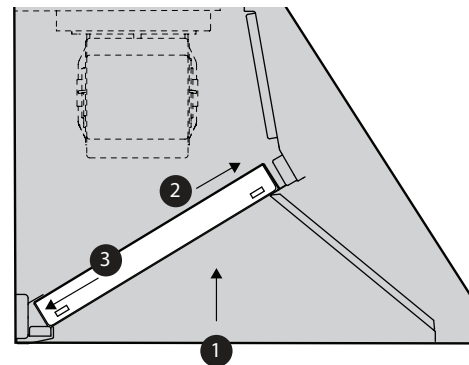
To Install Filters and Grease Trays:

1. Turn the appliance OFF.
2. Grease trays must be in place before installing the filters.

Push the grease tray in and down inside the grease tray trough.



3. Start with an outside filter. Slide the filter up, toward the front of the hood, then push down on top of the grease tray.



Hood Surface Cleaning

- For general care, wipe the outside of the stainless steel with mild, lukewarm, soapy water. Always wipe and dry in the direction of the stainless steel grain. Avoid using too much pressure, which may mar the surface.
- **DO NOT** use abrasive products such as steel wool.
- **DO NOT** use cellulose sponges. Some sponges are processed with salt and can cause corrosion by leaving salt deposits on the metal.
- **DO NOT** allow any cleaning compounds to remain in contact with stainless steel for extended periods.
- **DO NOT USE CHLORINE-BASED CLEANERS.**
- To remove fingerprints and produce added shine, use a stainless steel cleaner or conditioner. The Thermador Stainless Steel Conditioner can be purchased online (US only) at: www.store.thermador.com (order part number 00576697).

Heat Lamps (PHxxGWS only)

⚠ WARNING

Heat lamps might be hot. Disconnect from power and allow to cool before servicing.

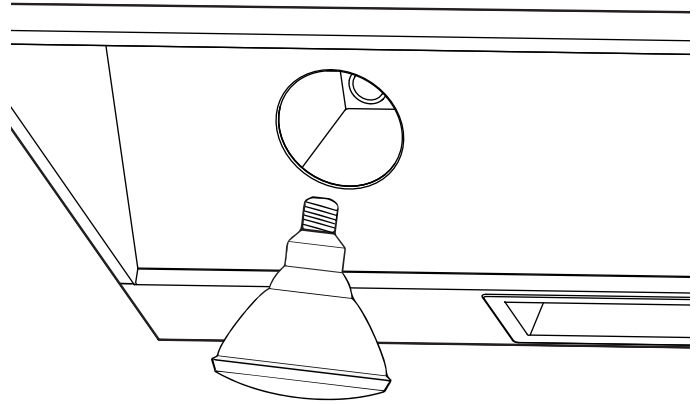
DO NOT operate the appliance without the heat lamps installed.

Turn off the heat lamps and blower. Allow the heat lamps to cool before handling.

If new heat lamps do not operate, be sure lamps are inserted correctly before calling for service.

Heat Lamp Installation

1. Turn heat lamp clockwise to install.



Heat Lamp Replacement

1. Turn heat lamp counterclockwise to remove.
2. Replace lamp with either a PAR-38 175W heat lamp or a PAR-40 250W heat lamp.

The PAR-38 175W heat lamp provides a tighter seal within the enclosure and produces the same amount of effective heat with lower energy consumption. These lamps may not be readily available at local retail outlets. The PAR-40 250W heat lamp is more widely available. It can be used instead.

PAR-38 175W heat lamps can be purchased through the following retailers:

- OpTech Inc: 800-848-6624 or www.optechlightbulbs.com
- bulbs.com: 888-455-2800 or www.bulbs.com

Service

Troubleshooting

Use the suggestions in the table below before calling for service to avoid service charges.

Problem	Suggested Cause and Solution
Noise during operation	<p>Some noise is normal due to vibration and air movement.</p> <ul style="list-style-type: none">Excessive noise could indicate one of the following:<ul style="list-style-type: none">ductwork is too small / undersizedductwork is too large / oversizedductwork is loosetransition is too small or is loosewood screws are not fully tightenedloose screws in trim parts, etc. <p>Check Installation Manual to verify that ductwork is the proper size. Tighten screws.</p>
Noise when unit is off	<ul style="list-style-type: none">Backflow flap on outside of duct wall cap moves with the wind. This is normal.
Lights and fan blower do not work	<ul style="list-style-type: none">Hood circuit breaker may be tripped. Reset breaker.
Fan blower does not work	<ul style="list-style-type: none">Power supply is insufficient.Electrical wiring is incorrectly connected. <p>See the Installation Manual for more information.</p>
Hood trips breaker	<ul style="list-style-type: none">Electrical wiring is incorrectly connected.Circuit is not sufficient. <p>See the Installation Manual for more information.</p>
The hood is not venting properly	<ul style="list-style-type: none">The hood may be too high from the cook top.The hood may not be centered above the cook top.Make up air not sufficient.The wind from opened windows or opened doors in the surrounding area is affecting the ventilation of the hood. Close all the windows and doors to eliminate the outside air flow.Blockage in the duct opening or ductwork. Remove all blockage from the ductwork or duct opening.Duct length too long, too many elbows, "back to back" elbows, or too small roof or wall cap, will all cause issues with air draw. <p>See the Installation Manual for more information.</p>
Fault tone	<ul style="list-style-type: none">Two short beeps will sound whenever the pressing of a button by the user results in a possible function that is not possible by the system. <p>The beep tone can be disabled by pressing the FILTER and LIGHTS buttons simultaneously for at least 3 seconds. Pressing the FILTER and LIGHTS buttons simultaneously when the beep sound is turned off will turn on the beep sound.</p>

How to Obtain Service or Parts

Before Calling Service

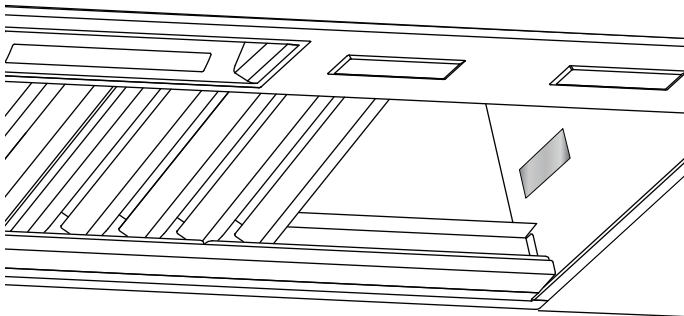
We want you to remain a satisfied customer. If a problem comes up that cannot be resolved to your satisfaction please let us know.

To reach a service representative, see the contact information at the back page of the manual. Whether you write or call, please provide us with the Model Number, Serial Number and Date of Original Purchase or Installation.

Product Data Rating Label

The data rating label shows the model and serial number. Refer to the data label on the appliance when requesting service.

The data rating label is located on the frame behind the filter. Remove the filter to view it (see figure below for an example).



Service Information

For handy reference, copy the information below from the Product Data Rating Label located on the frame. Keep your invoice for Warranty validation.

Model Number: _____

Serial Number: _____

Date of Purchase: _____

Also enter this information on the Product Registration Form included with this product.

Register your BSH product to ensure timely service and access to your product related information. You may register your product through one of the following ways:

1. Mail in the completed Thermador Product Registration card.
2. Register your product online at www.thermador.com.
3. Call us at Thermador customer service at 1-800-735-4328.

Statement of Limited Product Warranty

What this Warranty Covers and Who It Applies To

The limited warranty provided by BSH Home Appliances ("Thermador") in this Statement of Limited Product Warranty applies only to the Thermador appliance sold to you, the first using purchaser, provided that the Product was purchased:

- For your normal, household (non-commercial) use, and has in fact at all times only been used for normal household purposes.
- New at retail (not a display, "as is", or previously returned model), and not for resale, or commercial use.
- Within the United States or Canada, and has at all times remained within the country of original purchase.

The warranties stated herein apply to the original purchaser of the product warranted herein and to each succeeding owner of the product purchased for ordinary home use during the term of the warranty.

Please make sure to return your registration card; while not necessary to effectuate warranty coverage, it is the best way for Thermador to notify you in the unlikely event of a safety notice or product recall.

How Long the Warranty Lasts

Thermador warrants that the Product is free from defects in materials and workmanship for a period of seven hundred and thirty (730) days from the date of purchase. The foregoing timeline begins to run upon the date of purchase, and shall not be stalled, tolled, extended, or suspended, for any reason whatsoever.

This Product is also warranted to be free from cosmetic defects in material and workmanship (such as scratches of stainless steel, paint/porcelain blemishes, chips, dents, or other damage to the finish) of the Product, for a period of sixty (60) days from the date of purchase or closing date for new construction. This cosmetic warranty excludes slight color variations due to inherent differences in painted and porcelain parts, as well as differences caused by kitchen lighting, product location, or other similar factors. This cosmetic warranty specifically excludes any display, floor, "As Is", or "B" stock appliances.

Repair/Replace as Your Exclusive Remedy

During this warranty period, Thermador or one of its authorized service providers will repair your Product without charge to you (subject to certain limitations stated herein) if your Product proves to have been manufactured with a defect in materials or workmanship. If reasonable attempts to repair the Product have been made without success, then Thermador will replace your Product (upgraded models may be available to you, in Thermador's sole discretion, for an additional charge). All removed parts and components shall become the property of Thermador at its sole option. All replaced and/or repaired parts shall assume the identity of the original part for purposes of this warranty and this warranty shall not be extended with respect to such parts.

Thermador's sole liability and responsibility hereunder is to repair manufacturer-defective Product only, using a Thermador authorized service provider during normal business hours.

For safety and property damage concerns, Thermador highly recommends that you do not attempt to repair the Product yourself, or use an unauthorized servicer; Thermador will have no responsibility or liability for repairs or work performed by a non-authorized servicer. If you choose to have someone other than an authorized service provider work on your Product, THIS WARRANTY WILL AUTOMATICALLY BECOME NULL AND VOID. Authorized service providers are those persons or companies that have been specially trained on Thermador products, and who possess, in Thermador's opinion, a superior reputation for customer service and technical ability (note that they are independent entities and are not agents, partners, affiliates or representatives of Thermador). Notwithstanding the foregoing, Thermador will not incur any liability, or have responsibility, for the Product if it is located in a remote area (more than 100 miles from an authorized service provider) or is reasonably inaccessible, hazardous, threatening, or treacherous locale, surroundings, or environment; in any such event, if you request, Thermador would still pay for labor and parts and ship the parts to the nearest authorized service provider, but you would still be fully liable and responsible for any travel time or other special charges by the service company, assuming they agree to make the service call.

Out of Warranty Product

Thermador is under no obligation, at law or otherwise, to provide you with any concessions, including repairs, pro-rates, or Product replacement, once this warranty has expired.

Warranty Exclusions

The warranty coverage described herein excludes all defects or damage that are not the direct fault of Thermador, including without limitation, one or more of the following:

- Use of the Product in anything other than its normal, customary and intended manner (including without limitation, any form of commercial use, use or storage of an indoor product outdoors, use of the Product in conjunction with air or water-going vessels).
- Any party's willful misconduct, negligence, misuse, abuse, accidents, neglect, improper operation, failure to maintain, improper or negligent installation, tampering, failure to follow operating instructions, mishandling, unauthorized service (including self-performed "fixing" or exploration of the appliance's internal workings).
- Adjustment, alteration or modification of any kind.
- A failure to comply with any applicable state, local, city, or county electrical, plumbing and/or building codes, regulations, or laws, including failure to install the product in strict conformity with local fire and building codes and regulations.
- Ordinary wear and tear, spills of food, liquid, grease accumulations, or other substances that accumulate on, in, or around the Product.
- Any external, elemental and/or environmental forces and factors, including without limitation, rain, wind, sand, floods, fires, mud slides, freezing temperatures, excessive moisture or extended exposure to humidity, lightning, power surges, structural failures surrounding the appliance, and acts of God.

In no event shall Thermador have any liability or responsibility whatsoever for damage to surrounding property, including cabinetry, floors, ceilings, and other structures or objects around the Product. Also excluded from this warranty are products on which the serial numbers have been altered, defaced, or removed; service visits to teach you how to use the Product, or visits where there is nothing wrong with the Product; correction of installation problems (you are solely responsible for any structure and setting for the Product, including all electrical, plumbing or other connecting facilities, for proper foundation/flooring, and for any alterations including without limitation cabinetry, walls, floors, shelving, etc.); and resetting of breakers or fuses.

TO THE EXTENT ALLOWED BY LAW, THIS WARRANTY SETS OUT YOUR EXCLUSIVE REMEDIES WITH RESPECT TO PRODUCT, WHETHER THE CLAIM ARISES IN CONTRACT OR TORT (INCLUDING STRICT LIABILITY, OR NEGLIGENCE) OR OTHERWISE. THIS WARRANTY IS IN LIEU OF ALL OTHER WARRANTIES, WHETHER EXPRESS OR IMPLIED. ANY WARRANTY IMPLIED BY LAW, WHETHER FOR MERCHANTABILITY OR FITNESS FOR A PARTICULAR PURPOSE, OR OTHERWISE, SHALL BE EFFECTIVE ONLY FOR THE PERIOD THAT THIS EXPRESS LIMITED WARRANTY IS EFFECTIVE. IN NO EVENT WILL THE MANUFACTURER BE LIABLE FOR CONSEQUENTIAL, SPECIAL, INCIDENTAL, INDIRECT, "BUSINESS LOSS", AND/OR PUNITIVE DAMAGES, LOSSES, OR EXPENSES, INCLUDING WITHOUT LIMITATION TIME AWAY FROM WORK, HOTELS AND/OR RESTAURANT MEALS, REMODELLING EXPENSES IN EXCESS OF DIRECT DAMAGES WHICH ARE DEFINITELY CAUSED EXCLUSIVELY BY THERMADOR, OR OTHERWISE. SOME STATES DO NOT ALLOW THE EXCLUSION OR LIMITATION OF INCIDENTAL OR CONSEQUENTIAL DAMAGES, AND SOME STATES DO NOT ALLOW LIMITATIONS ON HOW LONG AN IMPLIED WARRANTY LASTS, SO THE ABOVE LIMITATIONS MAY NOT APPLY TO YOU. THIS WARRANTY GIVES YOU SPECIFIC LEGAL RIGHTS, AND YOU MAY ALSO HAVE OTHER RIGHTS WHICH VARY FROM STATE TO STATE.

No attempt to alter, modify or amend this warranty shall be effective unless authorized in writing by an officer of BSH.

Table des MATIÈRES

Sécurité	21
Consignes de sécurité importantes	21
Introduction	24
Avant de commencer	24
Utilisation de l'appareil	24
Aperçu	24
Bandeau de commande tactile.....	26
Fonctionnement de la hotte.....	27
Home Connect™	28
Configuration.....	28
Nettoyage et entretien	31
Nettoyage des filtres et des plateaux à graisse	31
Nettoyage de la surface de la hotte.....	32
Lampes infrarouges (certains modèles).....	32
Entretien	33
Dépannage	33
Comment obtenir du service ou des pièces.....	34
Comment trouver le numéro de modèle	34
Information requise pour obtenir du service.....	34
Énoncé de garantie limitée du produit.....	35
Soutien, accessoires, et pièces	page verso

Définitions de SÉCURITÉ

▲ AVERTISSEMENT

Ceci indique que le non respect de cet avertissement peut entraîner des blessures graves, voire la mort.

▲ ATTENTION

Ceci indique que le non respect de cet avertissement peut entraîner des blessures légères ou modérées.

NOTICE : Ceci indique que la non-conformité à cet avis de sécurité peut entraîner des dégâts à l'appareil ou à la propriété.

Note : Ceci vous avertit que d'importantes informations et/ou conseils sont fournis.

Cet appareil électroménager de THERMADOR™

est fait par BSH Home Appliances Ltd

6696 Financial Drive, Unit 3

Mississauga, ON L5N 7J6

Des questions?

1-800-735-4328

www.thermador.ca

Nous attendons de vos nouvelles!

⚠️ CONSIGNES DE SÉCURITÉ IMPORTANTES

LISEZ ET CONSERVEZ CES INSTRUCTIONS

INSTALLATEUR : Veuillez laisser ces instructions d'installation au propriétaire de l'appareil. Montrez au propriétaire l'emplacement du tableau de disjoncteurs. Marquez-le pour qu'il soit facile à identifier.

PROPRIÉTAIRE : Lisez et conservez ces instructions. Veuillez conserver ces instructions pour consultation ultérieure.

⚠️ AVERTISSEMENT

Votre nouvel appareil a été conçu pour un fonctionnement sûr et fiable si vous en prenez bien soin. Lire attentivement toutes les consignes avant l'emploi. Ces précautions réduiront les risques de brûlures, de choc électrique, d'incendie et de lésions corporelles. Lors de l'utilisation d'appareils de cuisine, il est impératif de respecter les mesures de sécurité élémentaires, y compris celles figurant aux pages suivantes.

⚠️ AVERTISSEMENT

Pour réduire les risques de blessure lors d'un incendie sur la surface de cuisson, observez les consignes suivantes :

- Éteignez les flammes avec un couvercle, une plaque à biscuits ou un plateau de métal et éteignez ensuite le brûleur. Faites attention pour ne pas vous brûler. Si les flammes ne disparaissent pas immédiatement, évacuez les lieux et appelez le service d'incendie.
 - Ne prenez jamais un poêlon en feu – vous pourriez vous brûler.
 - N'utilisez pas d'eau ou un linge à vaisselle mouillé pour éteindre des flammes – une violente explosion de vapeur s'ensuivra.
 - Utilisez un extincteur seulement si :
 - Vous savez que vous possédez un extincteur de classe ABC et vous savez vous en servir.
 - Le feu est faible et ne s'est pas répandu depuis son point d'origine.
 - Vous avez appelé le service d'incendie.
 - Vous pouvez sortir facilement de l'endroit où vous combattez le feu.
-

⚠️ AVERTISSEMENT :



Si vous ne suivez pas rigoureusement les renseignements fournis dans le présent guide, des risques d'incendie ou d'explosion sont susceptibles de causer des dommages matériels, des blessures ou la mort.

- N'entreposez pas et n'utilisez pas d'essence ou d'autres produits inflammables sous forme de liquide ou de vapeur à proximité de la table de cuisson ou de tout autre appareil.
 - SI VOUS DÉTECTEZ UNE ODEUR DE GAZ
 - N'allumez aucun appareil.
 - Ne touchez pas aux interrupteurs électriques.
 - N'utilisez pas les téléphones du bâtiment où vous trouvez.
 - Appelez immédiatement votre société gazière chez un voisin et suivez les instructions qu'elle vous donne.
 - Si vous n'arrivez pas à contacter votre société gazière, appelez le service d'incendie.
 - L'installation et les travaux d'entretien doivent être réalisés par un installateur qualifié, un centre de réparation agréé ou une société gazière.
-

⚠️ AVERTISSEMENT

Pour ventilation générale seulement. Pour éviter tout risque d'incendie ou d'explosion, n'utilisez pas cet appareil pour évacuer des vapeurs et des matériaux explosifs ou dangereux.

CONSIGNES DE SÉCURITÉ IMPORTANTES

LISEZ ET CONSERVEZ CES INSTRUCTIONS

AVERTISSEMENT

Pour réduire les risques d'incendie, de décharge électrique ou de blessure, respectez ces consignes :

- N'utilisez cet appareil que de la manière prévue par le fabricant. Si vous avez des questions, communiquez avec le fabricant (800-735-4328).
- Avant de procéder au nettoyage ou à l'entretien de l'appareil, éteignez l'alimentation du panneau électrique et bloquez le dispositif de déconnexion pour éviter que l'alimentation électrique ne soit accidentellement rallumée. Si le dispositif de sectionnement d'électricité ne peut être bloqué, attachez un avertissement (comme une étiquette) bien en vue sur le tableau électrique.

Assurez-vous qu'il y a un détecteur de fumée fonctionnel près de la cuisine.

Ayez un extincteur approprié à portée de la main, visible et facile d'accès, tout près de l'appareil de cuisson.

N'utilisez jamais de l'eau pour éteindre des aliments en feu. Éteuffez les flammes avec des extincteurs à poudre sèche ou à mousse.

Dans la mesure du possible, ne faites pas fonctionner le système de ventilation lorsqu'il y a un feu sur la surface de cuisson. Cependant, ne tentez pas de l'éteindre en passant votre main dans le feu.

Si vos vêtements ou vos cheveux prennent feu, jetez-vous immédiatement par terre et roulez pour éteindre les flammes.

Examinez l'électroménager après l'avoir déballé. Dans l'éventualité de dommages en cours de transport, ne branchez pas l'électroménager.

Lorsque les enfants sont assez âgés pour utiliser l'appareil, il est de la responsabilité des parents ou des tuteurs de veiller à ce que des personnes qualifiées leur enseignent des pratiques sécuritaires.

AVERTISSEMENT

Pour réduire les risques de feu de friture :

- Ne laissez jamais l'appareil sans surveillance lors de son utilisation à haute température. Les débordements par bouillonnement causent de la fumée et des déversements de graisse qui peuvent prendre feu. Faites chauffer l'huile à des températures basses ou moyennes.
- Allumez toujours la hotte lorsque vous cuisinez à haute température ou que vous faites flamber des alim s'aents (c.-à-d. crêpes Suzette, cerises jubilé, bœuf flambé au poivre).
- Nettoyer fréquemment l'appareil. Ne pas laisser la graisse accumuler sur l'appareil.
- Utilisez des poêlons aux dimensions adéquates. Utilisez toujours une batterie de cuisine correspondant aux dimensions de l'élément ou du brûleur.

Ne laissez personne monter, s'asseoir ou s'appuyer sur une partie quelconque de l'appareil, car cela pourrait endommager l'appareil, qui pourrait basculer et provoquer de graves blessures.

Ne laissez pas d'enfants utiliser cet appareil à moins qu'un adulte exerce une surveillance étroite. Ne laissez pas d'enfants ou d'animaux seuls ou sans surveillance dans une pièce où des appareils fonctionnent. Ils ne devraient pas être autorisés à jouer près de l'appareil, qu'il soit en cours d'utilisation ou non.

ATTENTION

Ne rangez pas d'objets attirant l'attention d'enfants dans un appareil, dans une armoire au-dessus d'un appareil ou sur l'étagère garde-chaud. Ils risqueraient d'y monter pour s'en emparer et pourraient se blesser gravement.

CONSIGNES DE SÉCURITÉ IMPORTANTES

LISEZ ET CONSERVEZ CES INSTRUCTIONS

Disposition de la Proposition 65 de l'État de la Californie :

AVERTISSEMENT

Ce produit vous exposez à des produits chimiques, comme du chlorure de vinyle, reconnus par l'État de la Californie comme causant le cancer, des malformations congénitales ou d'autres effets nocifs sur la reproduction. Pour de plus amples renseignements, consulter www.P65Warnings.ca.gov.

ATTENTION

La graisse qui s'accumule sur les filtres peut fondre et se déplacer dans les conduits d'aération. Nettoyez fréquemment les ventilateurs. Ne laissez pas la graisse s'accumuler sur le ventilateur, les filtres et les conduits d'aération.

Demandez à l'installateur de vous montrer l'emplacement du disjoncteur. Marquez-le pour qu'il soit facile à identifier.

L'appareil doit être adéquatement installé et mis à la terre par un technicien qualifié. Ne le branchez qu'à une alimentation électrique avec une mise à la terre adéquate. Consultez le manuel d'installation pour plus de détails.

Cet appareil est conçu pour une utilisation ménagère normale seulement. Il n'est pas approuvé pour une utilisation à l'extérieur. La garantie s'annulera si ce produit est utilisé dans un environnement commercial ou s'il est installé à l'extérieur. Si vous avez des questions, appelez le fabricant.

N'entreposez pas et n'utilisez pas des gaz et des produits chimiques, des produits inflammables ou non alimentaires dans cet appareil ou près de cet appareil. Il est spécifiquement conçu pour être utilisé lorsque vous faites chauffer ou cuire des aliments. L'utilisation de produits corrosifs lorsque l'appareil chauffe ou lorsque vous le nettoyez endommagera l'appareil et pourrait causer une blessure corporelle.

N'utilisez pas cet appareil s'il ne fonctionne pas correctement ou s'il a été endommagé. Communiquez avec une agence autorisée.

AVERTISSEMENT

Les réparations doivent être effectuées uniquement par un personnel d'entretien formé. Toute réparation inadéquate de votre appareil peut entraîner un risque de blessure grave ou de mort.

Ne réparez et ne remplacez aucune pièce de l'appareil à moins que le manuel ne recommande expressément de le faire.

Pour des raisons de sécurité et pour éviter tout dommage potentiel, ne suspendez pas d'ustensiles de cuisine, de tissus ou d'autres articles à aucune pièce de l'appareil.

Introduction

Avant de commencer

Avant d'utiliser votre appareil, assurez-vous de lire le présent manuel. Portez une attention particulière aux Consignes de sécurité importantes se trouvant au début du manuel.

Le mode d'emploi s'applique à plusieurs versions de cet appareil. Ainsi, il se peut que certaines descriptions de caractéristiques individuelles ne correspondent pas exactement à votre appareil.

Toutes les hottes doivent être installées avec un ventilateur à distance, un ventilateur de conduit ou un ventilateur intégré. N'utilisez que des ventilateurs Thermador avec les hottes Thermador. Tous les modèles de hotte sont vendus séparément. Consultez le Guide de Planification de Ventilation pour connaître les modèles de ventilateurs recommandés. Communiquez avec le service à la clientèle pour connaître les autres options qui s'offrent à vous.

⚠ AVERTISSEMENT

Pour éviter tout risque de brûlure, **ACTIVEZ** la hotte lorsque vous cuisinez à des températures élevées ou lorsque vous faites flamber de la nourriture.

N'utilisez pas simultanément tous les éléments chauffants ou les brûleurs au gaz à des réglages élevés pendant de longues périodes. (maximum de 15 minutes).

Si la hotte est installée au-dessus d'une table de cuisson au gaz, activez la hotte à la puissance maximale chaque fois que vous utilisez simultanément trois brûleurs ou plus.

Ne mettez pas en marche le système de ventilation pendant un feu de table de cuisson.

Tous les modèles de hottes sont de régime 120 VCA et doivent être branchés à un disjoncteur de 15 ou 20 ampères. Consultez le Manuel d'installation pour plus de détails.

Lorsqu'elles sont protégées par un disjoncteur de fuite à la terre, les hottes peuvent être utilisées dans des endroits humides à l'abri des conditions météorologiques extérieures et de saturations par de l'eau et d'autres liquides, quoiqu'elles puissent être soumises à un certain degré d'humidité. Consultez les codes locaux, le Code national de l'électricité/Code canadien de l'électricité, et l'autorité compétente pour obtenir de plus amples renseignements.

Utilisation de l'appareil

Aperçu

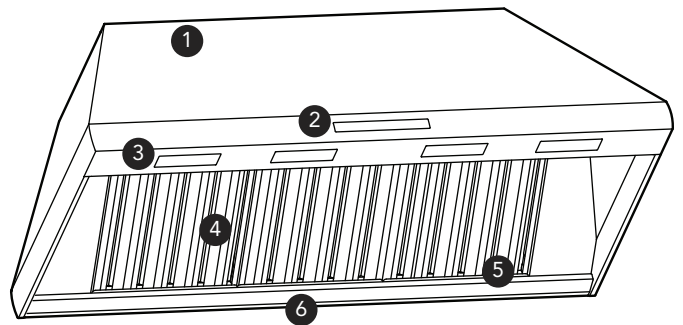
Cette notice d'instructions décrit différents modèles. La description de certaines fonctions individuelles peuvent ne pas s'appliquer à l'appareil.

IMPORTANT : N'utilisez pas la surface de cuisson lorsque la hotte n'est pas assemblée.

Hottes avec conduit

HPCNxxWS

24 po (610 mm) de profondeur avec des largeurs de 36 po (914 mm) et de 48 po (1219 mm). Le modèle de cette série comporte un déflecteur en acier inoxydable brossé avec un éclairage à DEL.

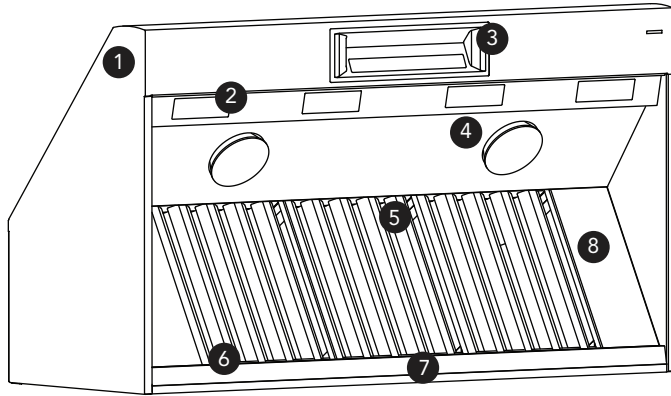


- (1) Canopée
- (2) Bandeau de commande tactile
- (3) DEL s'allume
- (4) Filtres
- (5) Plateau à graisse
- (6) Rainure des plateaux à graisse

Hottes Murales

PHxxGWS

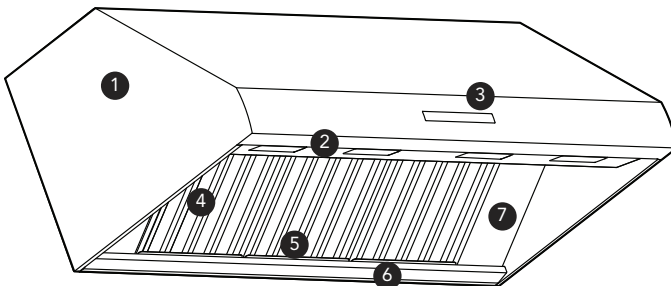
27 po (686 mm) de profondeur avec des largeurs de 36 po (914 mm), 42 po (1067 mm), 48 po (1219 mm), 54 po (1372 mm) et 60 po (1524 mm). Le modèle de cette série comporte un déflecteur en acier inoxydable brossé avec un éclairage à DEL et des lampes à infrarouge.



- | | |
|------------------------------------|------------------------|
| (1) Canopée | (2) DEL s'allume |
| (3) Bandeau de commande tactile | (4) Lampes infrarouges |
| (5) Filtres | (6) Plateau à graisse |
| (7) Rainure des plateaux à graisse | (8) Filtre entretoise |

PHxxHWS

24 po (61 mm) de profondeur avec des largeurs de 30 po (762 mm), 36 po (914 mm), et 48 po (1219 mm). Le modèle de cette série comporte un déflecteur en acier inoxydable brossé avec un éclairage à DEL.

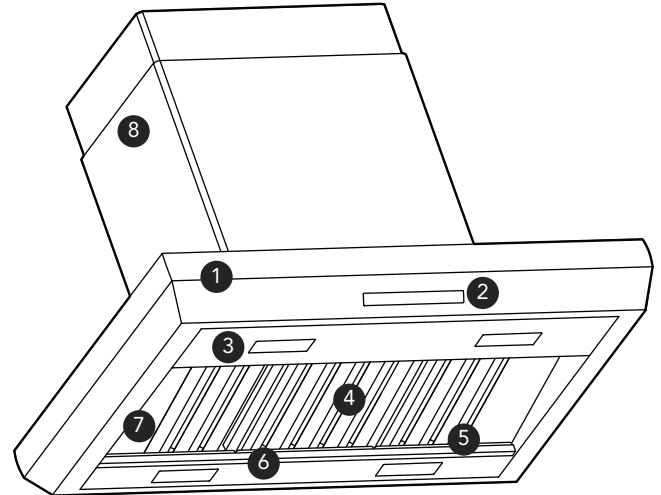


- | | |
|---------------------------------|------------------------------------|
| (1) Canopée | (2) DEL s'allume |
| (3) Bandeau de commande tactile | (4) Filtres |
| (5) Plateau à graisse | (6) Rainure des plateaux à graisse |
| (7) Filtre entretoise | |

Hotte îlot

HPINxxWS

27 po (686 mm) de profondeur avec des largeurs de 42 po (1067 mm) et 54 po (1372 mm). Le modèle de cette série comporte un déflecteur en acier inoxydable brossé avec un éclairage à DEL.

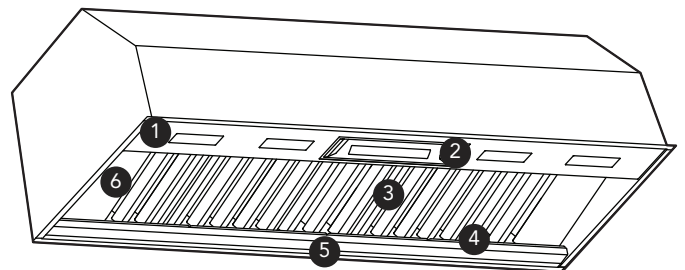


- | | |
|-----------------------|------------------------------------|
| (1) Canopée | (2) Bandeau de commande tactile |
| (3) DEL s'allume | (4) Filtres |
| (5) Plateau à graisse | (6) Rainure des plateaux à graisse |
| (7) Filtre entretoise | (8) Cheminée télescopique |

Hottes encastrées sur mesure

VCINxxGWS

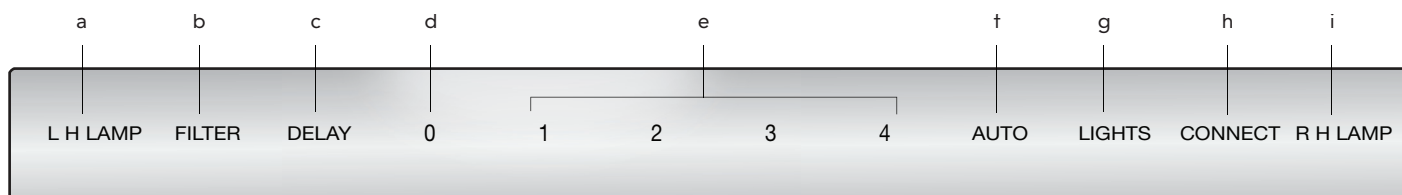
22 po (559 mm) de profondeur avec des largeurs de 32¼ po (820 mm), 39¾ po (1010 mm), 44¼ po (1125 mm), 50-3/8 po (1281 mm), or 56¼ po (1430 mm). Le modèle de cette série comporte un déflecteur en acier inoxydable brossé avec un éclairage à DEL et des lampes à infrarouge.



- | | |
|------------------------------------|---------------------------------|
| (1) DEL s'allume | (2) Bandeau de commande tactile |
| (3) Filtres | (4) Plateau à graisse |
| (5) Rainure des plateaux à graisse | (6) Filtre entretoise |

Bandeau de commande tactile

NOTE: Toutes les fonctionnalités mentionnées dans ce manuel ne s'appliquent pas à tous les modèles.



- (a) **LH LAMP** **Lampe à infrarouge gauche (uniquement PHxxGWS)**
Commande de façon indépendante le fonctionnement de la lampe à infrarouge gauche.
- (b) **FILTER** **Rappel de nettoyage des filtres**
Après 40 heures d'utilisation, la DEL la touche des FILTRES s'allume pour indiquer que les filtres doivent être nettoyés. Lorsque cet indicateur s'allume, nettoyez les filtres conformément aux instructions se trouvant à la page 31.

Activez la fonctionnalité d'avis de rappel de nettoyage des filtres par l'appli Home Connect^{MC} dans la section Réglages. Vous pouvez également vérifier l'état de la saturation des filtres par l'appli Home Connect.
- INTERRUPTION du rappel de nettoyage de filtres :**
Après le nettoyage, appuyez sur la touche FILTER pendant trois secondes pour réinitialiser la période de 40 heures et éteindre la DEL.
- (c) **DELAY** **Arrêt à retardement**
Si le ventilateur est éteint lorsque vous appuyez sur la touche DELAY, le ventilateur s'allume à vitesse maximale pendant dix minutes. Le ventilateur s'éteint à la fin du cycle. S'il est allumé lorsque vous appuyez sur la touche DELAY, le ventilateur fonctionne pendant dix minutes à la vitesse à laquelle il fonctionnait avant d'être mis hors circuit. Pendant une période de 10 minutes, la touche DELAY reste allumée. Pour interrompre la minuterie, appuyez sur l'une des touches de vitesse du ventilateur ou sur la touche OFF.

Il est aussi possible de choisir une période de temps différente que celle des réglages par défaut par l'entremise de l'appli Home Connect dans le menu RÉGLAGES.
- (d) **0** **Hors circuit**
Effleurez une fois le « 0 » pour éteindre le système de soufflerie et réinitialiser la commande.
- (e) **1 – 4** **Vitesses du ventilateur**
Augmente ou réduit les vitesses du ventilateur. Les DEL des fonctions choisies demeureront allumées en cours de fonctionnement.

1 – Faible
2 – Moyenne
3 – Moyenne/Haut
4 – Haut

Vous pouvez également commander à distance et surveiller les vitesses de ventilation de la hotte par l'appli Home Connect. Il est aussi possible de choisir une vitesse différente que celle des réglages par défaut par l'entremise de l'appli Home Connect dans le menu RÉGLAGES.
- (f) **AUTO** **Mode Automatique**
Lorsqu'elle est en mode AUTO, la hotte allume automatiquement le ventilateur selon la quantité de chaleur que le capteur détecte. Elle s'ajuste automatiquement toutes les cinq minutes. Si le capteur ne sent pas une grande quantité de chaleur, le ventilateur s'éteint.

(g) LIGHTS Commande de la lampe DEL

Cette touche contrôle l'éclairage DEL. La lampe s'allume lorsque vous appuyez une fois sur cette touche, se met en mode veilleuse lorsque vous appuyez deux fois et s'éteint lorsque vous appuyez une troisième fois. Le curseur d'éclairage, sur une échelle de 0 à 100 %, de l'appli Home Connect vous donne un contrôle supplémentaire permettant d'optimiser le niveau d'éclairage.

(h) CONNECT Home Connect™

Cette fonction permet de connecter l'appareil mobile d'un utilisateur à la hotte.

(i) RH LAMP Lampe à infrarouge droite (uniquement PHxxGWS)

Commande de façon indépendante le fonctionnement de la lampe à infrarouge gauche.



Réglage de la tonalité

Pour activer ou désactiver le réglage de tonalité, appuyez sur les touches FILTRE et ÉCLAIRAGE pendant 3 secondes. Vous pouvez également activer ou désactiver ce contrôle d'éclairage dans la section RÉGLAGES de l'appli Home Connect.

Fonctionnement de la hotte

Pour obtenir de meilleurs résultats

- Allumez le ventilateur cinq minutes avant de commencer à cuisiner pour établir des courants d'air vers le haut dans le conduit de la hotte. Ainsi, lorsque de la chaleur, de la fumée, de l'humidité, de la graisse et des odeurs de cuisson seront produites, elles seront évacuées à l'extérieur de la maison au lieu de se répandre dans d'autres salles.
- Utilisez le réglage bas pour une utilisation normale et la vitesse élevée pour les odeurs et la fumée intenses.
- Les rafales qui passent au-dessus de la cuisinière ou de la table de cuisson réduisent l'efficacité de la hotte. Dans la mesure du possible, tentez de contrôler ces rafales.
- La ventilation est optimale dans une cuisine lorsque les seuls courants d'air qui existent sont ceux que crée la hotte.
- L'utilisation constante du système de ventilation lorsque vous cuisinez aide à créer une atmosphère confortable et à baisser le taux d'humidité de la cuisine.
- Utilisez un brûleur arrière lorsque vous brunissez ou poêlez de la viande.
- Pour optimiser le rendement de l'évacuation d'air, la hotte doit être de même largeur que la table de cuisson ou la dépasser de 3 pouces de chaque côté. Installez uniquement ces hottes avec les systèmes de soufflerie Thermador.

Home Connect™

L'appareil électroménager est entièrement automatique et prend en charge le Wi-Fi. Il peut être télécommandé au moyen d'un appareil mobile (par exemple, une tablette, un téléphone intelligent). L'appli Home Connect™ offre des fonctions supplémentaires qui complètent parfaitement l'appareil électroménager en réseau.

Home Connect ne fonctionne pas sur des réseaux Wi-Fi qui exigent l'enregistrement d'un navigateur notamment en saisissant un nom d'utilisateur et un mot de passe par un navigateur Web.

Vous devriez disposer d'un réseau sans fil stable ayant une bonne réception et pouvant accéder à Internet.

Si l'appareil électroménager n'est pas connecté à un réseau local sans fil (WLAN, réseau domestique), il fonctionne de la même façon qu'une hotte typique sans connexion réseautique et peut-être commandé comme d'habitude par le panneau tactile.

REMARQUE : Veuillez vous assurer que vous respectez la notice de sécurité décrite au début du présent manuel d'instructions et que cette dernière sera aussi respectée lors de la télécommande de l'appareil électroménager par l'appli lorsque vous n'êtes pas la maison. Veuillez également respecter les directives de l'appli Home Connect.

REMARQUE : Le fonctionnement manuel de l'appareil électroménager a toujours la priorité. À ce moment, il est impossible de le faire fonctionner au moyen de l'appli Home Connect.

Configuration

L'appli Home Connect doit être déjà installée et vous avez déjà un compte Home Connect. Vous pouvez créer un compte dans l'appli.

Respectez les étapes précisées par l'appli pour mettre en œuvre les réglages.

Qu'avez-vous besoin pour connecter la hotte à Home Connect™?

1. L'appareil électroménager doit être correctement installé.
2. Un téléphone intelligent ou une tablette doté de la dernière version du système d'exploitation iOS ou Android.
3. L'appareil électroménager doit être à portée du signal Wi-Fi du réseau domestique.

4. Vous devez disposer du nom du réseau Wi-Fi (SSID) et de son mot de passe (clé).

PROTECTION DES DONNÉES ET SÉCURITÉ DE L'INFORMATION :

Le transfert de données est toujours crypté. Home Connect satisfait aux normes de sécurité les plus strictes, qui font continuellement l'objet de révisions. Consultez www.home-connect.com pour de plus amples renseignements.

Renseignements :

Nous travaillons sans relâche pour améliorer l'appli Home Connect. Les étapes de configuration pourraient varier légèrement. Veuillez à respecter les directives de la dernière version de l'appli Home Connect pour vous guider lors des étapes de configuration.

ÉTAPE 1 : Téléchargement de l'appli Home Connect et création d'un compte utilisateur

1. Depuis le téléphone intelligent ou la tablette, ouvrez l'App Store (appareils Apple^{MD}) ou Google Play^{MC} Store (appareils Android^{MC}).
2. Recherchez l'appli HOME CONNECT dans le champ de recherche de la boutique et installez-le.

L'appli Home Connect : 

3. Ouvrez l'appli et inscrivez-vous pour créer un compte Home Connect.
4. Notez vos données de connexion Home Connect (compte utilisateur et mot de passe); vous en aurez besoin plus tard.

Conservez vos données de connexion Home Connect ici :

Nom du réseau (SSID) :

Mot de passe (clé) :

L'appli vous informera des prochaines étapes pour ajouter un appareil électroménager à Home Connect.

ÉTAPE 2 : Connexion de l'appareil au réseau domestique

1. L'appareil électroménager doit être correctement installé.
2. Ouvrez l'appli Home Connect pour ajouter un appareil.
3. Veillez à respecter les directives de l'appli et consultez le guide Home Connect uniquement sur invitation de l'appli.

ÉTAPE 2.1 : Connexion de l'appareil électroménager au réseau domestique avec WPS

Passez à l'ÉTAPE 2.1 uniquement si l'appli le demande. Les étapes qui suivent décrivent des actions à effectuer directement sur l'appareil électroménager.

REMARQUE : Pour connecter la hotte au réseau domestique, la hotte et l'éclairage doivent être **ÉTEINTS**.

Annulez le processus à tout moment en appuyant sur **0**.

1. Appuyez et maintenez la touche **CONNECT** enfoncée jusqu'au clignotement de « **0** » et de **CONNECT**.
2. Appuyez sur le **1**.
 - Le « **1** » et **CONNECT** clignoteront.
3. Appuyez sur le bouton **WPS** du routeur.
 - Veuillez consulter le manuel du routeur pour localiser le bouton WPS.
 - L'appareil électroménager est connecté au réseau domestique quand **CONNECT** et « **3** » clignotent.
 - L'appli est avisée dès la connexion réussie de l'appareil électroménager au réseau Wi-Fi.
4. Respectez les directives de l'appli.

AVIS :

ERREUR : Si **CONNECT** et le témoin « **2** » clignotent, il y a échec de la connexion en deux minutes entre l'appareil électroménager et le réseau domestique Wi-Fi.

SOLUTION : Vérifiez si l'appareil électroménager est à portée du Wi-Fi et répétez le processus. En cas d'échec, consultez l'ÉTAPE 2.2 pour une connexion manuelle de l'appareil électroménager.

ÉTAPE 2.2 : Connexion de l'appareil au réseau domestique, étape par étape

Passez à l'ÉTAPE 2.2 uniquement si l'appli le demande. Les étapes qui suivent décrivent des actions à effectuer directement sur l'appareil électroménager.

REMARQUE : Pour connecter la hotte au réseau domestique, la hotte et l'éclairage doivent être **ÉTEINTS**.

Annulez le processus à tout moment en appuyant sur **0**.

1. Appuyez et maintenez la touche **CONNECT** enfoncée jusqu'au clignotement de « **0** » et de **CONNECT**.
2. Appuyez sur le **2**.
 - Le « **2** » et **CONNECT** clignoteront.
 - Pendant deux minutes, l'appareil ouvrira un réseau Wi-Fi temporaire dénommé « HomeConnect » avec le mot de passe.
 - L'appli fournit un nom de réseau Wi-Fi (SSID) et un mot de passe par l'entremise de ce réseau Wi-Fi temporaire, ce qui permet à la hotte de se connecter au réseau Wi-Fi domestique.
 - L'appareil électroménager est connecté au réseau domestique quand **CONNECT** et « **3** » clignotent.
3. Respectez les directives de l'appli.

ÉTAPE 3 : Connexion de l'appareil à l'appli Home Connect

Passez à l'ÉTAPE 3 uniquement si l'appli le demande. Les étapes qui suivent décrivent des actions à effectuer directement sur l'appareil électroménager.

1. Appuyez et maintenez la touche **CONNECT** enfoncée jusqu'au clignotement de « **0** » et de **CONNECT**.
2. Respectez les directives de l'appli.
 - Dès que **CONNECT** cesse de clignoter sur la hotte, le processus d'inscription est terminé.

La hotte est bien connectée. Vous pouvez désormais tirer profit de tous les avantages de l'appli Home Connect!

AVIS :

ERREUR : La connexion de l'appareil électroménager a échoué (le témoin **CONNECT** s'**ÉTEINDRA**).

SOLUTION : Assurez-vous que le téléphone intelligent ou la tablette est bien connecté(e) au même réseau domestique (Wi-Fi). Vérifiez que la connexion sans fil est stable et avec un bon signal. Répétez le processus de l'ÉTAPE 2.2.

Connexion de la hotte à un autre compte Home Connect

Réinitialisez la connexion à la hotte si vous désirez changer le réseau domestique sans fil comme suit :

1. Appuyez et maintenez les touches **CONNECT** et « **0** » enfoncées pendant au moins trois secondes.
-- La touche **CONNECT** s'éteindra.
2. Recommencez la connexion au réseau domestique.

Mise à jour du logiciel

Il est possible de mettre à jour le logiciel avec la fonctionnalité à cet effet (par ex., mises à jour d'optimisation, de dépannage ou de sécurité). Pour ce faire, vous devez être inscrit comme utilisateur Home Connect, disposer de l'appli sur votre appareil mobile et avoir une connexion au serveur Home Connect.

Dès l'offre d'une mise à jour, l'appli Home Connect vous en avise. Vous pourrez aussi l'utiliser pour télécharger cette mise à jour.

Une fois le téléchargement réussi, installez la mise à jour par les réglages de base du four ou l'appli Home Connect si vous êtes sur le réseau domestique.

L'appli Home Connect vous avisera à la fin de l'installation.

Remarques :

- Vous pouvez utiliser de l'appareil comme d'habitude au cours du téléchargement des mises à jour.
- Dans les réglages personnels de l'appli, il est également possible d'automatiser les téléchargements.
- Nous vous recommandons d'installer les mises à jour de sécurité dès que possible.

Protection des données

Les catégories suivantes de données sont transmises au serveur Home Connect lors de la première connexion de l'appareil électroménager à un réseau local (WLAN) communiquant avec Internet (première inscription) :

- Identifiant unique de l'appareil électroménager (composé des codes de l'appareil de même que l'adresse MAC du module de communication Wi-Fi installé).
- Le certificat de sécurité du module de communication Wi-Fi (pour assurer une connexion informatique sécurisée).
- Les versions actuelles du logiciel et du matériel informatique de l'appareil électroménager.
- L'état de toute réinitialisation antérieure des préréglages faits en usine.

La première inscription de l'appareil prépare l'utilisation des fonctions Home Connect et ne sont nécessaires que lors de la première utilisation des fonctions Home Connect.

REMARQUE : Assurez-vous que les fonctions Home Connect ne peuvent être utilisées uniquement qu'à l'aide de l'appli Home Connect. Consultez les renseignements concernant la protection des données sur l'appli Home Connect.

Déclaration de conformité

Par la présente, BSH Home Appliances déclare que l'appareil électroménager qui utilise les fonctions Home Connect est conforme aux exigences de base et à d'autres dispositions pertinentes des directives 1999/5/CE.



Nettoyage et entretien

Nettoyage des filtres et des plateaux à graisse

⚠ AVERTISSEMENT

Assurez-vous que la totalité de l'appareil (y compris les filtres et les ampoules) a refroidi et que la graisse s'est solidifiée avant de nettoyer l'une ou l'autre de ses pièces.

⚠ ATTENTION

N'utilisez pas la surface de cuisson lorsque la hotte n'est pas assemblée.

Votre hotte est munie de filtres et de plateaux à graisse amovibles en acier inoxydable. Vous devez nettoyer ces pièces lorsque le témoin des filtres s'allume sur le tableau de commande ou lorsque de la graisse s'y accumule. Lorsqu'elle est utilisée au-dessus d'un grill, d'un wok ou de tout autre ustensile où beaucoup de matière grasse est utilisée, un nettoyage plus fréquent peut s'avérer nécessaire.

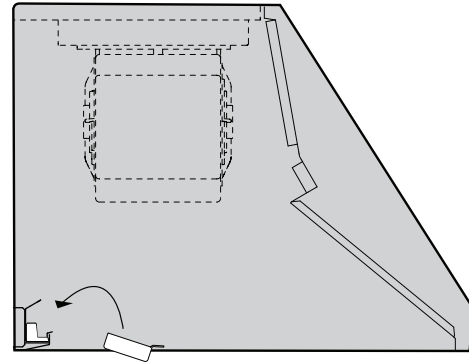
Les filtres et les plateaux à graisse peuvent être lavés à la main ou au lave-vaisselle. Faites tremper les filtres du ventilateur dans une solution d'eau chaude et de détergent doux. Rincez en profondeur et secouez les filtres pour les sécher.

Une légère décoloration peut se produire lors du nettoyage des filtres au lave-vaisselle, ce qui ne change rien à leur bon fonctionnement.

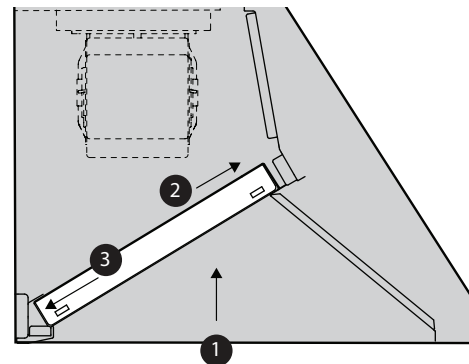
Suivez les instructions au dessous de le sens contraire pour enlever les filtres et les plateaux à graisse. Assurez-vous que les filtres ont refroidi et que la graisse s'est figée avant de les enlever.

Pour installer les filtres et les plateaux à graisse :

1. Mettre l'appareil hors tension.
2. Installer les plateaux à graisse avant les filtres. Insérer puis enfoncer complètement le plateau à graisse dans le compartiment.



3. Commencer avec un filtre externe. Glisser le filtre vers le haut en direction de l'avant de la hotte puis enfoncer-le sur le dessus du plateau à graisse.



Nettoyage de la surface de la hotte

- Pour un entretien général, frottez l'acier inoxydable avec un linge trempé dans de l'eau savonneuse tiède. Frottez et séchez toujours l'acier inoxydable dans le sens du grain. Pour ne pas rayer la surface, évitez de trop mettre de pression.
- N'utilisez pas de produits abrasifs, comme des laines d'acier.
- N'utilisez PAS d'éponges en cellulose. Certaines éponges sont traitées avec du sel et peuvent causer de la corrosion en laissant des dépôts de sel sur le métal.
- Ne laissez pas les produits nettoyants rester en contact avec l'acier inoxydable durant de longues périodes.
- **N'UTILISEZ PAS DE PRODUITS NETTOYANTS À BASE DE CHLORE.**
- Pour enlever les traces de doigt et ajouter du brillant, utilisez un produit nettoyant pour acier inoxydable. Vous pouvez vous procurer en ligne le produit pour acier inoxydable de Thermador (É.-U. seulement) : www.store.thermador.com (numéro de produit : 00576697).

Lampes infrarouges (uniquement PHxxGWS)

⚠ AVERTISSEMENT

Les lampes infrarouges peuvent être très chaudes. Avant de procéder à l'entretien de l'appareil, coupez l'alimentation électrique et laissez-leur le temps de refroidir.

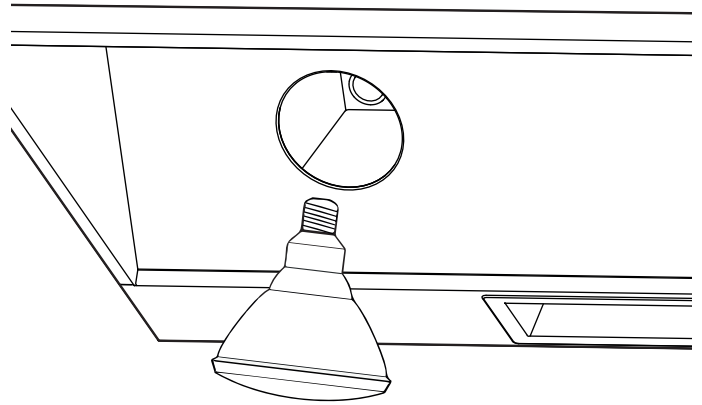
N'utilisez pas l'appareil sans les lampes infrarouges installées.

Éteignez les lampes infrarouges et le ventilateur. Laissez aux lampes le temps de refroidir avant de les toucher.

Si les nouvelles lampes ne fonctionnent pas, assurez-vous que les ampoules sont correctement insérées dans les douilles avant d'appeler le service de soutien technique.

Installation des lampes infrarouges

1. Tournez l'ampoule infrarouge dans le sens horaire pour l'installer.



Remplacement des lampes infrarouges

1. Pour retirer la lampe infrarouge, tournez-la en sens antihoraire.
2. Remplacez l'ampoule par une ampoule PAR-38 175W ou une ampoule PAR-40 250W.

Les ampoules infrarouges PAR-38 175W s'installent plus hermétiquement dans le coffret et produisent la même quantité de chaleur tout en consommant moins d'énergie. Ces lampes peuvent ne pas être facilement disponibles dans des points de vente au détail locaux.

Les ampoules infrarouges PAR-40 250W sont plus facilement disponibles et peuvent être utilisées au lieu des ampoules PAR-38 175W.

Dépannage

Recourez aux suggestions apparaissant dans le tableau ci-dessous avant d'appeler le service à la clientèle et éviter de payer des frais de service.

Problème	Solution Suggérée
Bruit lors du fonctionnement de l'appareil	<p>Il est normal que les vibrations et les mouvements d'air produisent du bruit.</p> <ul style="list-style-type: none">• Un bruit excessif pourrait être le résultat de l'une ou l'autre des causes suivantes :<ul style="list-style-type: none">-- le conduit est trop petit ou sous-dimensionné;-- le conduit est trop grand ou surdimensionné;-- le conduit n'est pas bien fixé en place;-- la pièce de transition est trop petite ou mal fixée;-- les vis à bois ne sont pas assez serrées;-- vis mal fixée de la partie de la garniture, etc. <p>Consultez le Manuel d'installation pour vous assurer que la taille du conduit utilisé est la bonne. Serrez les vis.</p>
Bruit lorsque l'appareil est éteint.	<ul style="list-style-type: none">• Le vent fait bouger le volet du registre anti-refoulement à l'extrémité du conduit située à l'extérieur. Cela est normal.
Les lumières et le ventilateur ne fonctionnent pas	<ul style="list-style-type: none">• Le disjoncteur de la hotte n'est peut-être pas enclenché. Enclenchez le disjoncteur.
Le ventilateur ne fonctionne pas.	<ul style="list-style-type: none">• Alimentation électrique insuffisante.• Câblage électrique incorrect. <p>Consultez le Manuel d'installation pour obtenir de plus amples renseignements.</p>
La hotte fait sauter le disjoncteur	<ul style="list-style-type: none">• Câblage électrique incorrect.• Circuit insuffisant. <p>Consultez le Manuel d'installation pour obtenir de plus amples renseignements.</p>
La hotte n'assure pas une bonne ventilation.	<ul style="list-style-type: none">• La hotte est peut-être installée trop haut au-dessus de la surface de cuisson.• La hotte n'est peut-être pas centrée au-dessus de la surface de cuisson.• Air d'appoint insuffisant.• Le vent en provenance d'une fenêtre ou d'une porte ouverte près de la hotte nuit à la ventilation. Fermez toutes les fenêtres et portes pour éliminer les courants d'air extérieurs.• Ouverture du conduit d'aération bloqué. Enlevez tous les éléments susceptibles de bloquer l'ouverture ou le conduit.• Un conduit est trop long, un trop grand nombre de coudes, des coudes installés côte à côte, ou un chapeau du toit ou mural trop petit peuvent tous nuire à la circulation d'air. <p>Consultez le Manuel d'installation pour obtenir de plus amples renseignements.</p>
Tonalité de panne	<ul style="list-style-type: none">• Deux bips courts retentissent chaque fois que l'utilisateur appuie sur un bouton pour obtenir une fonction qui n'est pas possible pour le système. <p>Le bip sonore peut être désactivé en appuyant simultanément sur les touches FILTER et LIGHTS pendant au moins 3 secondes. Si vous appuyez simultanément sur les touches FILTER et LIGHTS lorsque le bip sonore est désactivé, le bip sonore retentit.</p>

Comment obtenir du service ou des pièces

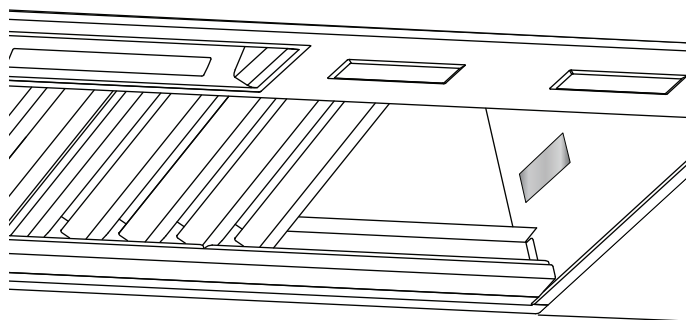
Avant d'appeler le service de dépannage

Nous souhaitons que vous demeuriez un client satisfait. Si un problème surgit sans qu'il soit possible de le régler à votre satisfaction, veuillez nous en avertir.

Pour joindre un représentant du service à la clientèle, consultez les coordonnées se trouvant au dos du manuel. Que vous appeliez ou écriviez, veuillez fournir le numéro de modèle, le numéro de série et la date d'achat ou d'installation originale de votre appareil.

Comment trouver le numéro de modèle

Le numéro de modèle et le numéro de série se trouvent sur la plaque signalétique. Veuillez fournir ces renseignements lorsque vous appelez pour obtenir du service. La plaque signalétique est fixée au bâti, derrière les filtres. Enlevez les filtres pour y avoir accès.



Information requise pour obtenir du service

Pour une consultation facile, copiez les renseignements suivants se trouvant sur la plaque signalétique. Conservez votre facture pour que votre garantie soit valide.

Numéro du modèle : _____

Numéro de série : _____

Date d'achat : _____

Inscrivez également ces renseignements sur la carte d'enregistrement comprise avec ce produit.

Enregistrez votre produit BSH afin de vous assurer de recevoir un service opportun et d'avoir accès aux renseignements propres à votre produit. Vous pouvez enregistrer votre produit de l'une des manières suivantes :

1. Envoi par la poste de la carte d'enregistrement de votre produit Thermador.
2. Enregistrement de votre produit en ligne au thermador.ca.
3. Appel au service à la clientèle de Thermador au 1-800-735-4328.

Énoncé de Garantie Limitée du Produit

Couverture de la garantie et à qui elle s'applique

La garantie limitée offerte par BSH Home Appliances Corporation ("Thermador") dans cet énoncé de garantie limitée du produit ne s'applique qu'à l'appareil Thermador qui vous a été vendu, à titre de premier acheteur, pourvu que le produit ait été acheté :

- Pour une utilisation domestique normale (non commerciale) et qu'il n'ait été utilisé qu'à des fins domestiques normales.
- Neuf au détail (qu'il ne soit pas un modèle précédemment retourné, un modèle « tel-quel » ou un modèle de plancher) et non destiné à la revente ou à un usage commercial.
- Aux États-Unis ou au Canada, et qu'il soit demeuré en tout temps dans le pays de l'achat d'origine.

Les garanties aux présentes s'appliquent à l'acheteur original du Produit sous garantie et à tout propriétaire successif du produit acheté pour une utilisation résidentielle habituelle et la durée de la garantie.

Veillez vous assurer de retourner votre carte d'enregistrement ; bien que ce ne soit pas indispensable à la couverture de garantie. C'est toutefois le meilleur moyen pour Thermador de communiquer avec vous, dans le cas peu probable d'un rappel de produit ou d'un avis de sécurité.

Durée de la garantie

Thermador garantit que le produit est exempt de défauts autant dans les matériaux que dans la main-d'oeuvre pour une période de sept cent trente (730) jours à partir de la date d'achat. Cette période commence dès la date de l'achat et ne peut pas être arrêtée, prolongée ou suspendue pour quelque raison que ce soit.

Ce produit est également garanti comme étant exempt de défaut esthétique au niveau du matériau et de la fabrication (par ex. d'égratignures sur l'acier inox, d'imperfections au niveau de la peinture/porcelaine, d'éclats, de bosses ou autres dommages à la finition du produit), pour une période de soixante (60) jours à partir de la date d'achat ou de la date d'achèvement pour une nouvelle construction. La présente garantie esthétique exclut les variations légères de couleur causées par les différences inhérentes entre les sections peintes et les sections en porcelaine, de même que les différences causées par l'éclairage de la cuisine, l'emplacement du produit et autres facteurs similaires. Cette garantie cosmétique exclut spécifiquement tous les appareils d'exposition, de plancher, « tel quel » et remis à neuf.

Réparation ou remplacement comme recours exclusif

Durant cette période de garantie, Thermador ou l'un de ses fournisseurs de service autorisés réparera votre appareil sans frais (sujet à certaines limitations établies dans les présentes) s'il est prouvé qu'une défectuosité dans les matériaux ou la main-d'oeuvre affecte le fonctionnement de votre appareil. Si tous les efforts entrepris pour réparer l'appareil ont échoués, Thermador remplacera votre appareil (un modèle plus récent pourrait vous être livré, à la seule discrétion de Thermador, pour des frais additionnels). Toutes les pièces et composants deviendront la propriété de Thermador. Toutes les pièces remplacées et/ou réparées assumeront l'identité de la pièce d'origine aux fins de cette garantie et cette garantie ne sera pas prolongée suite au remplacement de ces pièces. La seule responsabilité de Thermador telle que décrite dans les présentes est de réparer un produit défectueux à la fabrication, en mandatant un fournisseur de service autorisé de Thermador durant les heures d'affaire. Pour des raisons de sécurité et de dommages aux biens, Thermador recommande de ne pas tenter de réparer vous-même le produit ou d'employer un fournisseur de services non autorisé. Thermador n'accepte aucune responsabilité pour les réparations ou le travail effectué par un fournisseur de service non autorisé. Si vous acceptez qu'une personne autre qu'un fournisseur de service autorisé travaille à réparer votre produit, CETTE GARANTIE DEVIENDRA AUTOMATIQUEMENT NULLE ET NON AVENUE. Les fournisseurs de service autorisés sont les personnes morales ou sociétés spécialement formées pour réparer les produits Thermador et qui possèdent, selon Thermador, une réputation supérieure au niveau du service à la clientèle et des compétences techniques (notez qu'il s'agit d'entités indépendantes et non d'agents, partenaires, sociétés affiliées ou représentants de Thermador). En dépit des énoncés ci-dessus, Thermador n'accepte aucune responsabilité pour un appareil se trouvant dans une région éloignée (à plus de 200 km d'un fournisseur de service autorisé), ou dans un lieu ou un environnement inaccessible, dangereux, menaçant ou hasardeux ; dans un tel cas, si vous le demandez, Thermador paiera pour les pièces et la main-d'oeuvre, et expédiera le tout au fournisseur de service autorisé le plus près. Vous serez toutefois entièrement responsable des frais de déplacement ou autres frais spéciaux engagés par la société de service, assumant que cette dernière accepte d'effectuer la réparation.

Appareil hors garantie

Thermador n'est assujettie à aucune obligation, au titre de la loi ou autrement, de vous offrir des concessions, incluant les réparations, prorata ou remplacement de produit une fois cette garantie expirée.

Exclusions de la garantie

La garantie décrite dans les présentes exclut toutes les défauts ou dommages qui ne sont pas du fait direct de Thermador, incluant, mais sans s'y limiter, un ou plusieurs des éléments suivants :

- Utilisation du produit pour quelque raison autre que son usage normal de la façon prévue (incluant mais sans s'y limiter, toute forme d'usage commercial, d'usage ou d'entreposage d'appareils pour l'intérieur à l'extérieur, d'usage de l'appareil avec tout moyen de transport maritime ou aérien).
- Toute conduite inappropriée, négligence, mauvais usage, abus, accident, utilisation inadéquate, absence d'entretien, installation inadéquate ou négligente, modification, non-respect des instructions d'utilisation, manutention inappropriée, réparations non autorisées (incluant les réparations « maison » ou l'exploration des mécanismes internes de l'appareil).
- L'ajustement, l'altération ou la modification de toute forme que ce soit.
- Le non-respect des codes du bâtiment, règlements ou lois de la ville, de la province ou du pays en matière d'électricité, de plomberie, incluant une installation non conforme aux règlements et codes du bâtiment et des services d'incendie.
- L'usure normale, les déversements d'aliments ou de liquides, les accumulations de graisse ou d'autres substances qui s'accumulent sur, dans ou autour de l'appareil.
- Toute force et facteur extérieur causé par les éléments ou l'environnement, incluant, mais sans s'y limiter, la pluie, le vent, le sable, les inondations, les coulées de boue, les températures extrêmes, l'humidité excessive ou l'exposition prolongée à l'humidité, la foudre, les pannes de courant, les défaillances structurales autour de l'appareil et les catastrophes naturelles.

En aucun cas Thermador ne peut être tenu responsable de dommages aux biens environnants, incluant les armoires de cuisine, les planchers, les plafonds et toute autre structure ou objet entourant l'appareil. Également exclus de cette garantie sont les appareils dont les numéros de série ont été modifiés, effacés ou rendus illisibles ; les visites de service visant à vous enseigner comment utiliser l'appareil ou les visites qui ne révèlent aucune défaillance à l'appareil ; la correction des problèmes d'installation (vous êtes seul responsable de la mise en place de l'appareil, notamment au niveau de l'électricité, de la plomberie et des autres installations de raccordement,

des fondations et planchers et des modifications incluant, mais sans s'y limiter, les armoires, les murs, les planchers, les étagères, etc.) et le réenclenchement des disjoncteurs ou le changement des fusibles.

SELON LES LIMITES PERMISES PAR LA LOI, CETTE GARANTIE VOUS ACCORDE DES RECOURS EXCLUSIFS RELATIVEMENT AU PRODUIT, QUE LA RÉCLAMATION SURVIENNE DE PAR LE CONTRAT OU PAR DÉLIT CIVIL (INCLUANT LA RESPONSABILITÉ STRICTE OU LA NÉGLIGENCE) OU DE TOUTE AUTRE FAÇON. CETTE GARANTIE REMPLACE TOUTE AUTRE GARANTIE, QU'ELLE SOIT EXPRESSE OU IMPLICITE. TOUTE GARANTIE IMPLICITE EN VERTU DE LA LOI, QU'ELLE CONCERNE LA QUALITÉ MARCHANDE OU L'ADAPTATION À DES FINS PARTICULIÈRES, OU AUTREMENT, NE SERA EN VIGUEUR QUE POUR LA PÉRIODE PENDANT LAQUELLE LA GARANTIE EXPRESSE LIMITÉE EST EN VIGUEUR. EN AUCUN CAS LE FABRICANT NE PEUT ÊTRE TENU RESPONSABLE DES DOMMAGES INDIRECTS, PARTICULIERS, CONSÉCUTIFS, DÉCOULANT D'UNE « PERTE COMMERCIALE » ET/OU PUNITIFS, DES PERTES OU DÉPENSES, INCLUANT, MAIS SANS S'Y LIMITER, LE TEMPS PASSÉ LOIN DU TRAVAIL, LES HÔTELS ET/OU LES REPAS AU RESTAURANT, LES FRAIS DE REMODELAGE QUI DÉPASSENT LES DOMMAGES DIRECTS DÉFINITIVEMENT ET EXCLUSIVEMENT CAUSÉS PAR THERMADOR OU AUTREMENT. CERTAINS ÉTATS OU PROVINCES NE PERMETTENT PAR L'EXCLUSION OU LA LIMITATION DES DOMMAGES CORRÉLATIFS OU IMPRÉVUS ET CERTAINS ÉTATS OU PROVINCES NE PERMETTENT PAS D'ACCORDER UNE LIMITE DE DURÉE À LA GARANTIE IMPLICITE. PAR CONSÉQUENT LES LIMITATIONS CI-DESSUS POURRAIENT NE PAS S'APPLIQUER À VOUS. CETTE GARANTIE VOUS ACCORDE DES DROITS LÉGAUX SPÉCIFIQUES ET VOUS POURRIEZ ÉGALEMENT DISPOSER D'AUTRES DROITS QUI VARIENT D'UN ÉTAT À L'AUTRE ET D'UNE PROVINCE À L'AUTRE.

Aucune tentative de modifier ou d'amender cette garantie ne sera considérée comme applicable à moins qu'elle n'ait été autorisée par écrit par un responsable de BSH.

Support

Thank you for being a Thermador customer!

Thermador is dedicated to supporting you and your appliance so you have many years of creative cooking. Please don't hesitate to contact us if you have any questions. We're happy to help you with cleaning and care instructions, cooking tips, accessories, troubleshooting, and more.

USA:

1-800-735-4328

thermador.com/customer-care

Canada:

1-800-735-4328

thermador.ca/support

Accessories and Parts

Filters, Thermador cleaners, Teppanyaki pans, griddles, replacement parts, and more can be purchased in our online accessories store.

USA:

store.thermador.com/us

Canada:

Filters, parts and accessories can be purchased through our distributors.

Marcone: 1-800-287-1627

Reliable Parts: 1-800-663-6060

Soutien

Merci d'être un client Thermador!

Thermador s'engage à offrir tout le support dont vous et votre appareil avez besoin afin que vous puissiez en profiter pleinement. N'hésitez pas à communiquer avec nous pour toute question. Nous serons heureux de vous aider avec des directives concernant le nettoyage et les soins, des conseils de cuisson, des accessoires, le dépannage et plus encore.

É.-U. :

1-800-735-4328

thermador.com/customer-care

Canada :

1-800-735-4328

thermador.ca/support

Accessoires et Pièces

Vous trouverez dans notre magasin d'accessoires en ligne des filtres, des produits nettoyants Thermador, des poêles Teppanyaki, des plaques à frire, des pièces de rechange et plus encore.

É.-U. :

store.thermador.com/us

Canada :

Les filtres, pièces et accessoires peuvent être achetés auprès de nos distributeurs.

Marcone: 1-800-287-1627

Reliable Parts: 1-800-663-6060



1901 MAIN STREET, SUITE 600, IRVINE, CA 92614 // 800-735-4328 // WWW.THERMADOR.COM

© 2018 BSH Home Appliances Corporation
9001227796