

# PH48GWS

## 27-INCH DEPTH WALL HOOD (48-INCH WIDTH)

PROFESSIONAL® SERIES



### FEATURES & BENEFITS

- 27" in depth, a perfect companion to Pro Grand® Professional Ranges
- ★- Equipped with the Thermador Connected Experience by Home Connect™
- Powerfully Quiet® system accepts integral, inline, and remote blowers
- Keep food warm until it's ready to be served with two independently controlled infrared heat lamps
- Beautiful illumination with multi-level, vivid LED lights

### ACCESSORIES (OPTIONAL)

25 ft. Blower Connector Cable - EXTNCB25W

EXTNCB25W - For use with the following inline and remote blowers: VTR630W, VTR1030W, VTR1330W, VT1610W, VT11010W

Roofplates

RFPLT600P - For use with 600 CFM remote blower VTR630W

RFPLT1000P - For use with 1000 CFM remote blower VTR1030W and 1300 CFM blower VTR1330W

6" Tall Duct Cover, 48" Wide DC486W

20"- 54" Tall Duct Cover, 48" Wide DC48TW

Built-In Remote Control Panel

REMPW - Ability to vertically install on cabinetry or wall to control hood in a convenient location



### GENERAL PROPERTIES

Features

Multi-Level LED Lights with Fading Transitions, Infrared Heat Lamps, Automatic Mode, Check Filter Reminder Light, Delay Shut-Off

Operating Mode	Ducted
Number of Speed Settings	4-Stage
Motor Location	Blower (Sold Separately)
Number Of Lights	4
Bulb Type	LED
Total Power Of The Lamps (W)	4.8
Damper Included	Yes
Grease Filter Material	Washable Stainless Steel
Grease Filter Type	Stainless-Steel Commercial Style Baffle Filter
Home Connect™ (Wi-Fi Enabled)	Yes

### TECHNICAL DETAILS

Watts (W)	See Chart on Page 3
Current (A)	See Chart on Page 3
Volts (V)	120 V
Frequency (Hz)	60 Hz
Plug Type	120V-3 Prong

### DIMENSIONS & WEIGHT

Overall Appliance Dimensions (Width Of Canopy Included) (HxWxD) (in)	18" x 47 15/16" x 27"
Minimum Required Distance Above Gas / Electric Cooking Surface	30" / 30"
Diameter of Air Duct (in) Top	10"
Diameter of Air Duct (in) Back	10"
Net Weight (lbs)	98 lbs

### ACCESSORIES (REQUIRED)

Blower (Sold Separately)

### BLOWER OPTIONS

Remote Blower (Mounted to Roof or External Wall)	VTR630W - 600 CFM
	VTR1030W - 1000 CFM
	VTR1330W - 1300 CFM
Inline Blower (Mounted Between Kitchen and External Wall)	VT1610W - 600 CFM
	VT11010W - 1000 CFM
Integrated Blower (Mounted in Hood)	VTN630W - 600 CFM
	VTN1090R - 1000 CFM

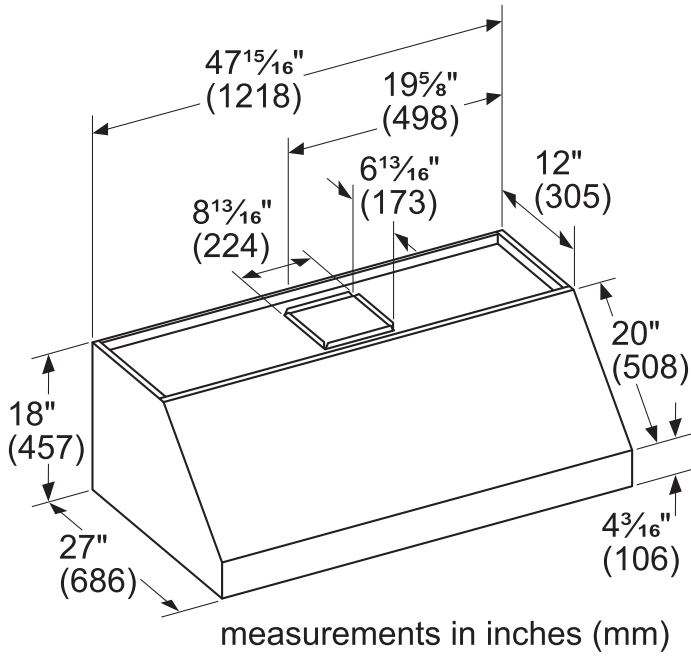
### WARRANTY

Limited Warranty Parts And Labor	2 Year
----------------------------------	--------

**PH48GWS**  
**27-INCH DEPTH WALL HOOD**  
**(48-INCH WIDTH)**  
**PROFESSIONAL® SERIES**



**HOOD DIMENSIONS**

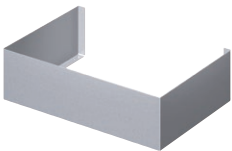


**OPTIONAL ACCESSORIES**

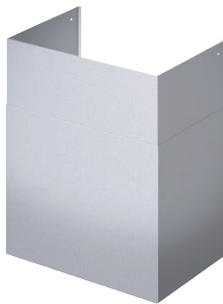
**48" WIDE DUCT COVER**

Stainless steel duct cover for wall hood applications

**DC486W 6" TALL**



**DC48TW 20"-54" TALL**



**REMOTE CONTROL PANEL**  
**REMCPW**



Convenience at your fingertips: The remote control accessory offers the freedom to extend your hood controls to a more reachable spot

# PH48GWS

## 27-INCH DEPTH WALL HOOD

### (48-INCH WIDTH)

PROFESSIONAL® SERIES

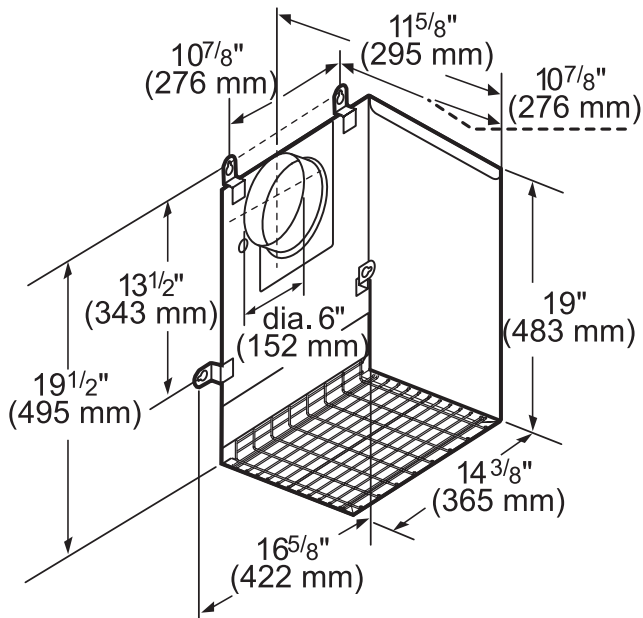


MODEL	DESCRIPTION		ELECTRIC LOAD						
			VTN630W	VTN1090R	VTI610W	VTI1010W	VTR630W	VTR1030W	VTR1330W
PH48GWS	48" Grand Wall Hood	Amps	9.8	13.2	11.7	13.6	11.7	13.6	17.1
		Watts	1,176	1,584	1,404	1,632	1,404	1,632	2,052

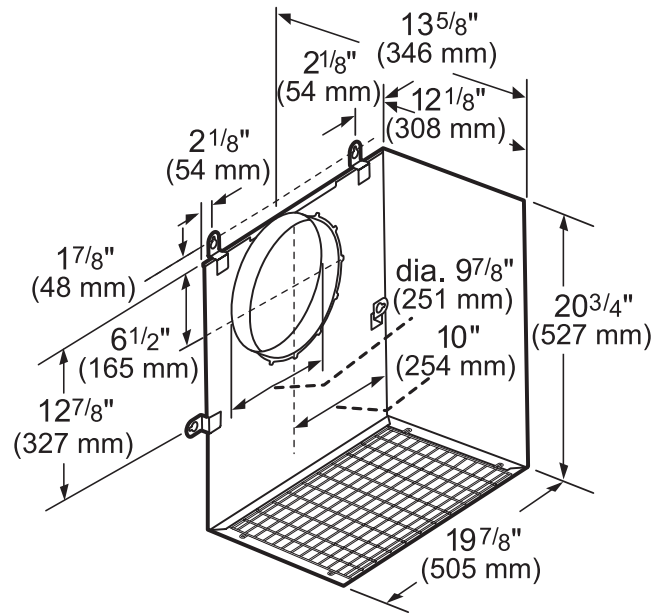
#### REMOTE BLOWERS (MOUNTED TO ROOF OR EXTERNAL WALL)

##### VTR630W-600 CFM

##### VTR1030W-1000 CFM

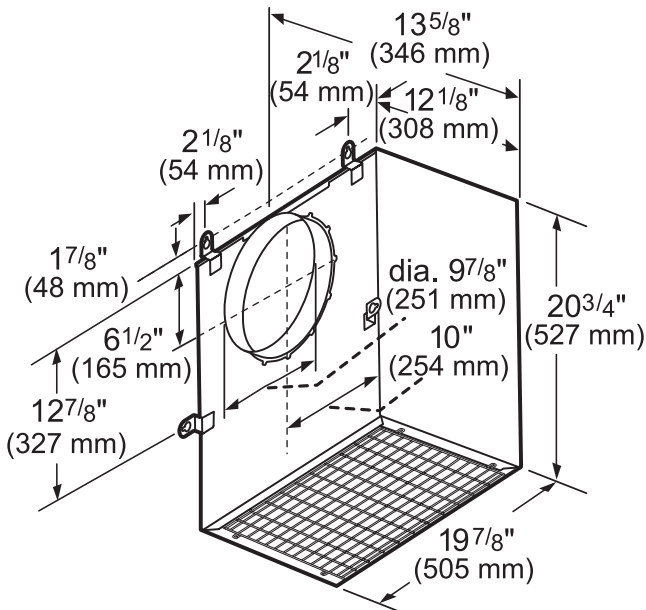


measurements in inches and mm



measurements in inches and mm

##### VTR1330W-1300 CFM



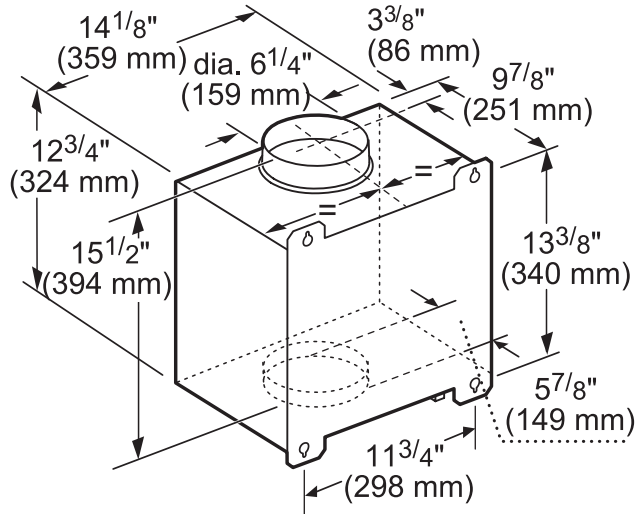
measurements in inches and mm

**PH48GWS**  
**27-INCH DEPTH WALL HOOD**  
**(48-INCH WIDTH)**  
**PROFESSIONAL® SERIES**



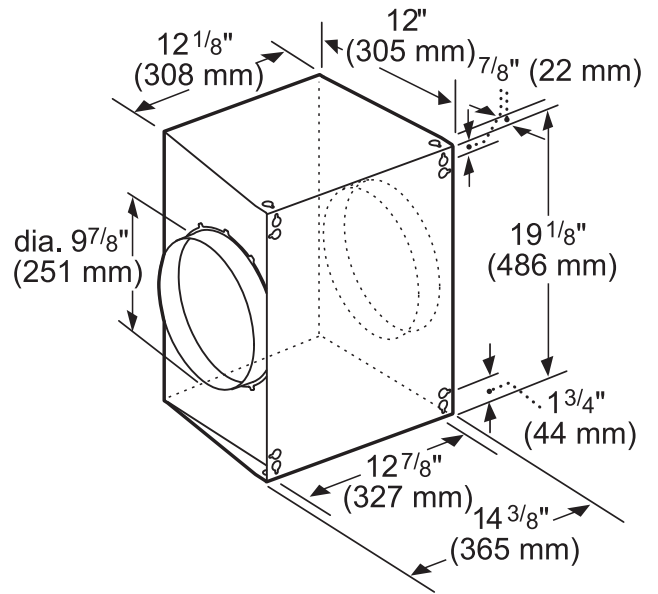
**INLINE BLOWERS (MOUNTED BETWEEN KITCHEN AND EXTERNAL WALL)**

**VTI610W-600 CFM**



measurements in inches and mm

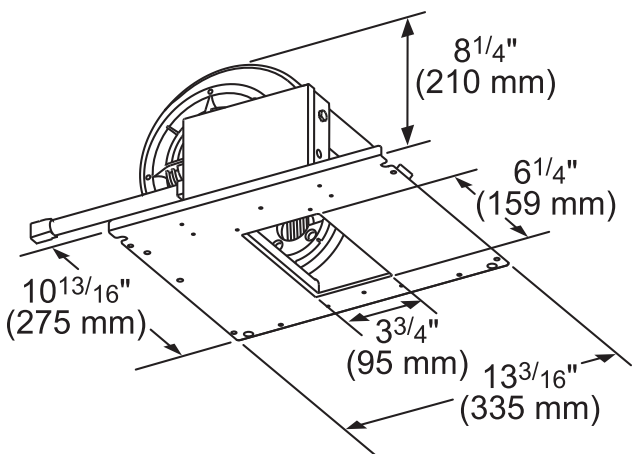
**VTI1010W-1000 CFM**



measurements in inches and mm

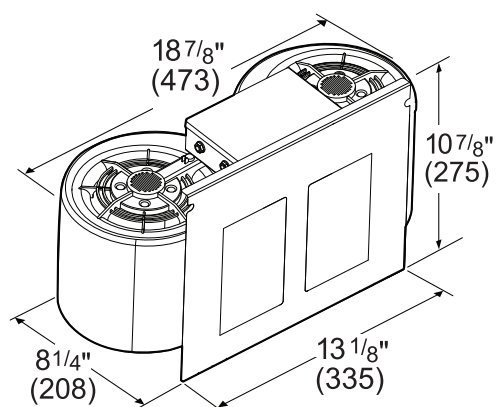
**INTEGRATED BLOWERS (MOUNTED IN HOOD)**

**VTN630W-600 CFM**



measurements in inches (mm)

**VTN1090R-1000 CFM**



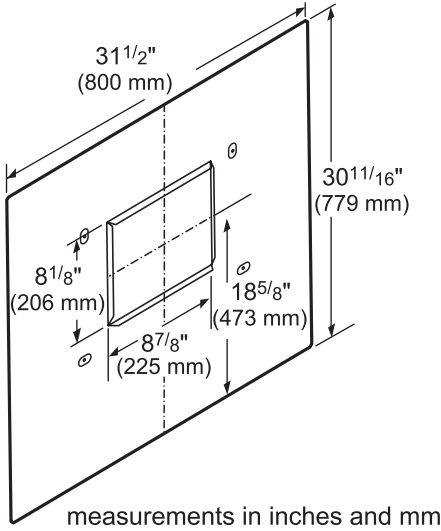
measurements in inches and mm

**PH48GWS**  
**27-INCH DEPTH WALL HOOD**  
**(48-INCH WIDTH)**  
**PROFESSIONAL® SERIES**

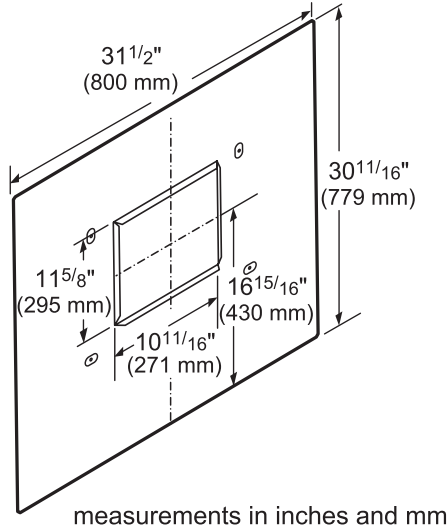


**REMOTE BLOWER ACCESSORIES**

**ROOFPLATE-RFPLT600P**



**ROOFPLATE-RFPLT1000P**



**EXTNCB25W**

For use with the following Inline and Remote Blowers: VTR630W, VTR1030W, VTR1330W, VTI610W, VTI1010W

These warranties give you specific legal rights and you may have other rights that vary from state to state. Full warranty and limited warranty from date of installation. For complete warranty details, refer to your Use & Care manual, or ask your dealer.

Specifications are for planning purposes only. Refer to installation instructions and consult your countertop supplier prior to making counter opening. Consult with a heating and ventilation engineer for your specific ventilation requirements. For the most detailed information, refer to installation instructions accompanying product or write to Thermador indicating the model number. Specifications are correct at time of printing. Thermador reserves the right to change product specifications or design without notice. Some models are certified for use in Canada. Thermador is not responsible for products that are transported from the U.S. for use in Canada.