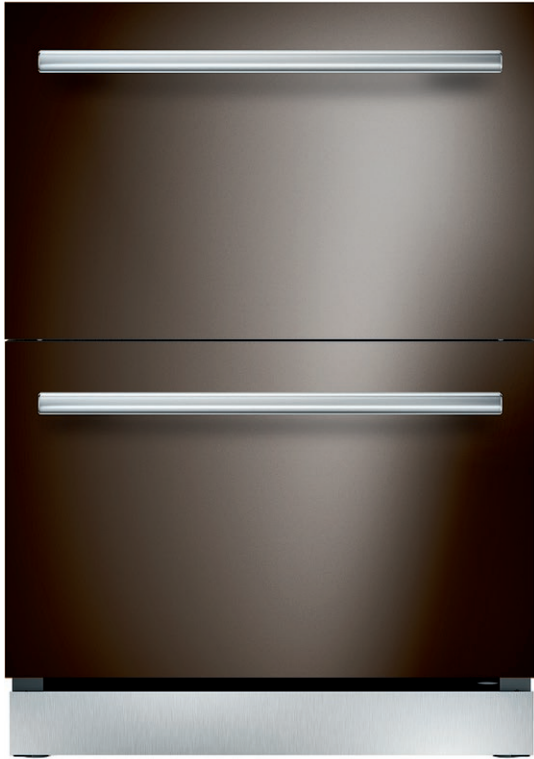


T24UR900DP

UNDER-COUNTER DOUBLE DRAWER REFRIGERATOR

CUSTOM PANEL-READY



Also Available:

- T24UR920DS – With Professional Series Handle
- T24UR910DS – With Masterpiece® Series Handle

FEATURES & BENEFITS

- Customizable cooling modes – Fridge, Pantry and Bar
- SoftClose® drawers for ultra-smooth closing
- Customizable drawer dividers and shelving
- Quick Chill
- LED Lighting
- Drawer mats keep items from sliding and remove for easy cleaning
- Touch electronic controls for temperature management

WARRANTY

Limited, Entire Appliance, Parts and Labor on any Part of the Refrigerator that Fails Because of a Manufacturing Defect

2 Year

Limited Warranty for Sealed Refrigeration System*; Parts and Labor

3rd to 6th Year

Limited Warranty for Sealed Refrigeration System*; Parts Only

7th to 12th Year

GENERAL PROPERTIES

Custom Panel-Ready	Yes
SoftClose® Drawers	Yes
Lighting	LED Lighting
Customizable Aluminum Dividers / Shelving	Yes
Removable Drawer Mats	Yes
Full Extension Drawers	Yes
Drawer Open Alarm	Yes
Quick Chill	Yes
Touch Electronic Controls	Yes
STAR-K Certified Sabbath Mode	Yes

CAPACITY

Total Capacity (cu. ft.)	5.0 cu. ft.
--------------------------	-------------

TEMPERATURE RANGES

Refrigerator	33°F (0.5°C) to 58°F (14.5°C)
Pre-Set Cooling Modes	Refrigerator 37°F (3°C) Pantry 53°F (12°C) Bar 34°F (1°C)
Quick Chill	Refrigerator 33°F (0.5°C) for approximately 24 hours Freezer -5°F (-21°C) for approximately 24 hours

TECHNICAL DETAILS

Watts (W)	150 W
Current (A)	15 Amp
Volts (V)	115 V
Frequency (Hz)	60 Hz
Power Cord Length (in.)	64"
Plug Type	120V 3-Wire

DIMENSIONS & WEIGHT

Appliance Dimensions (H x W x D) (in.)	34 1/4" x 23 7/8" x 24"
Required Cutout Size (H x W x D) (in.)	35" x 24 3/16" x 24 9/16"
Net / Gross Weight (lbs.)	160 / 174 lbs.

EFFICIENCY

ENERGY STAR® Qualified	Yes
Annual Energy Consumption	274 kWh

*Height adjustable + 1/2" (13 mm) with legs fully extended

**Sealed refrigeration system includes compressor, evaporator, condenser, dryer / strainer and connection tubing

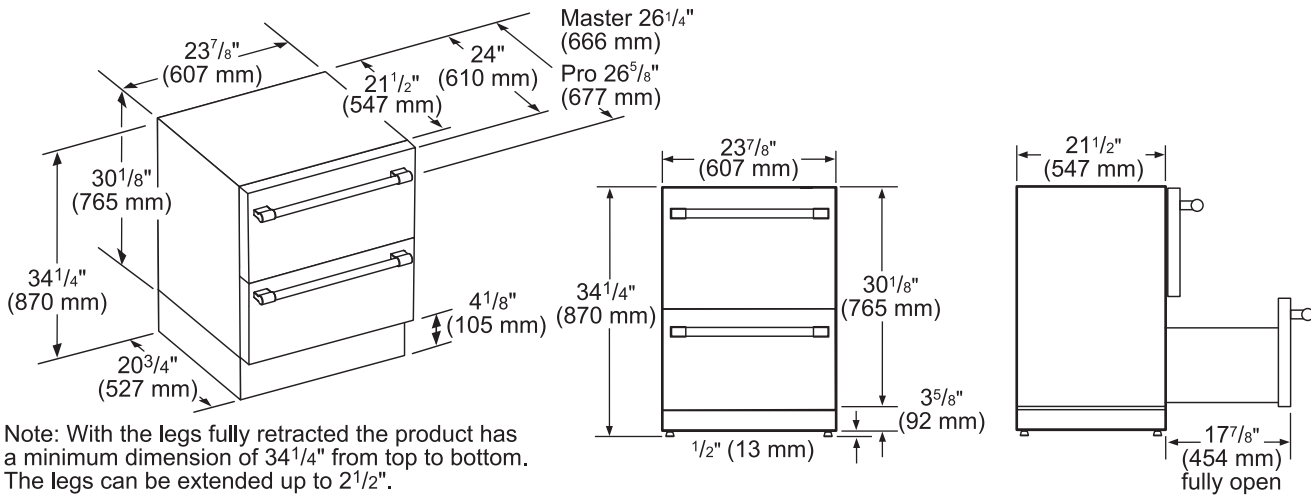
T24UR900DP

UNDER-COUNTER DOUBLE DRAWER REFRIGERATOR

CUSTOM PANEL-READY



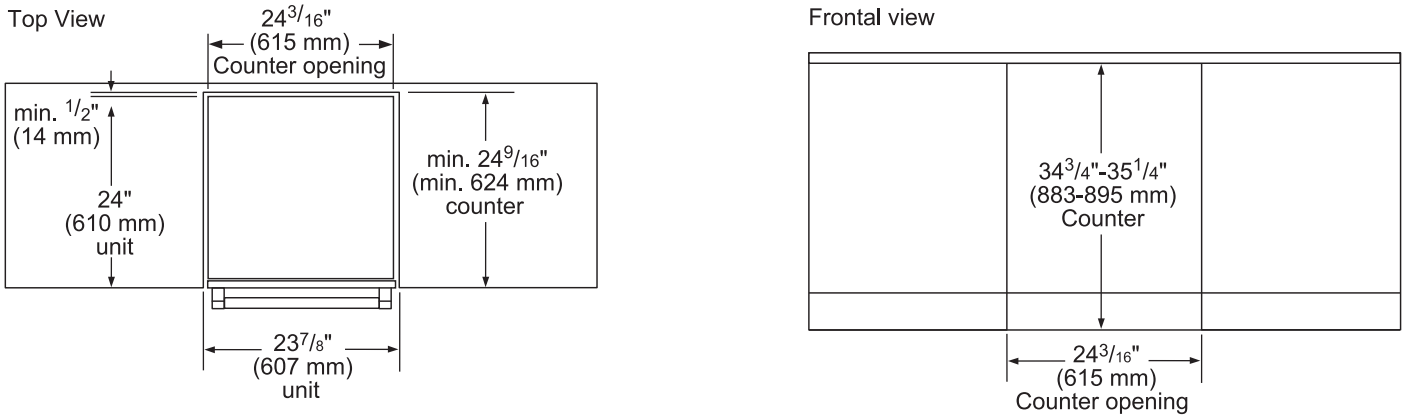
DOUBLE DRAWER REFRIGERATOR PRODUCT DIMENSIONS



Note: With the legs fully retracted the product has a minimum dimension of 34¹/₄" from top to bottom. The legs can be extended up to 21¹/₂".

measurements in inches (mm)

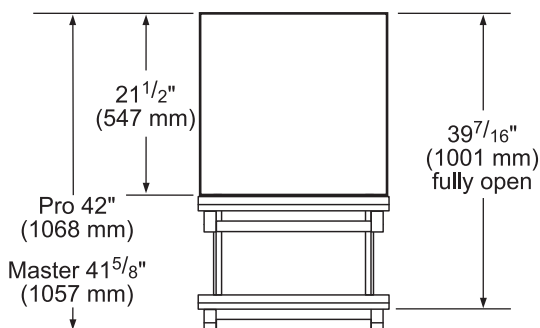
DOUBLE DRAWER REFRIGERATOR CUTOUT DIMENSIONS



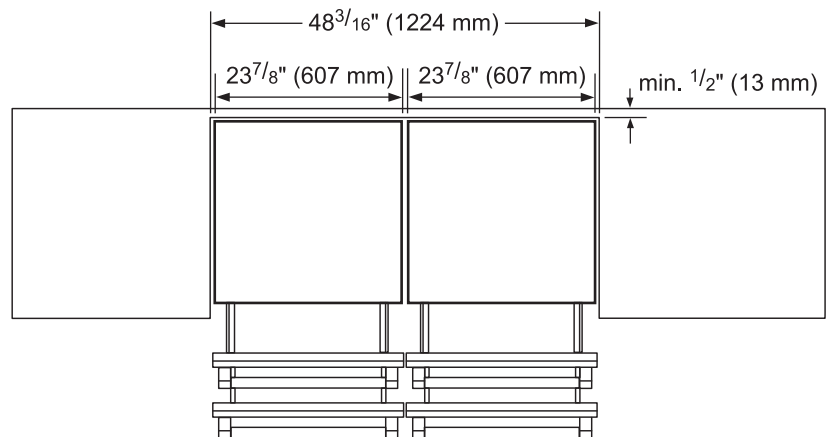
Thermador double drawer under counter top dimension. (Unit door flushed with the cutout)

measurements in inches (mm)

DOUBLE DRAWER REFRIGERATOR CLEARANCE DIMENSIONS



DOUBLE DRAWER REFRIGERATOR SIDE-BY-SIDE INSTALLATION



measurements in inches (mm)

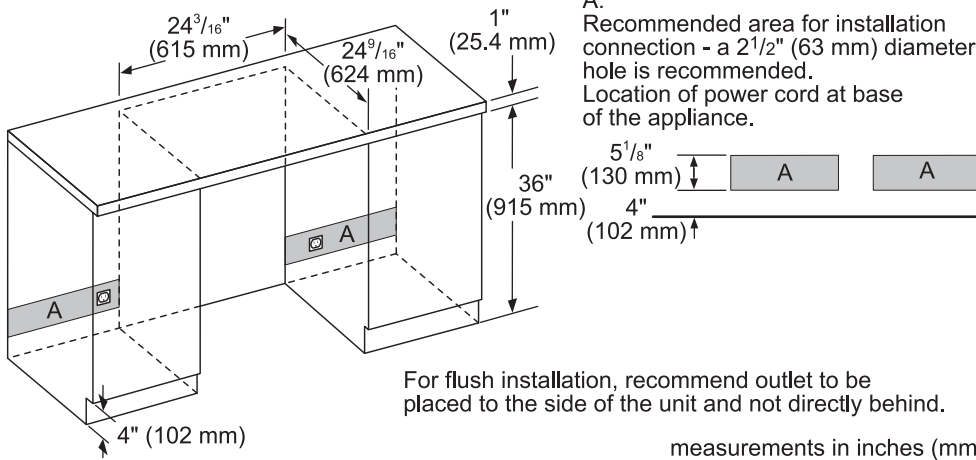
T24UR900DP

UNDER-COUNTER DOUBLE DRAWER REFRIGERATOR

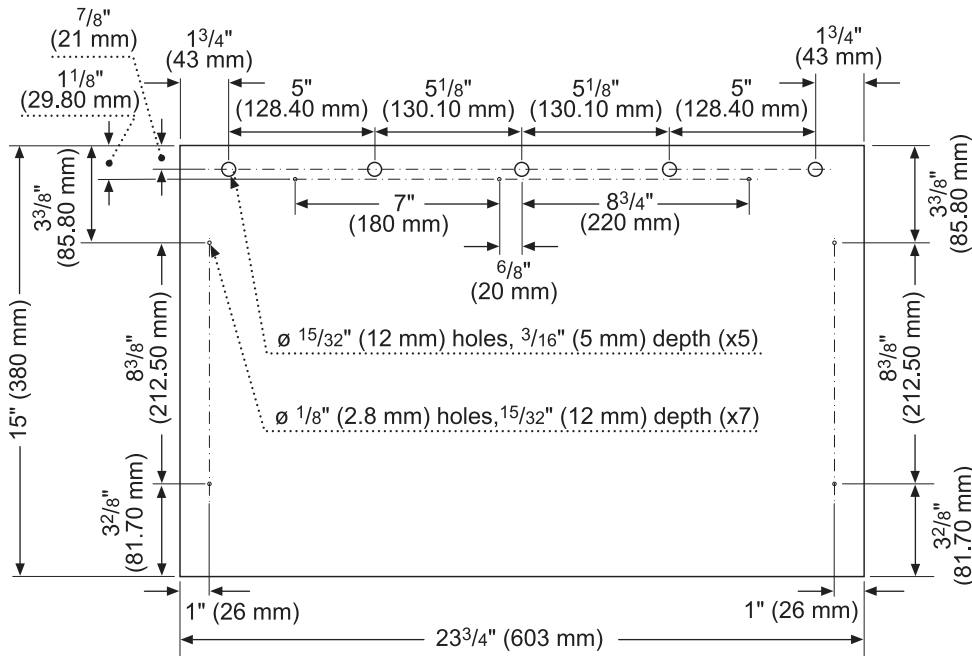
CUSTOM PANEL-READY



DOUBLE DRAWER REFRIGERATOR CUTOUT DIMENSIONS & ELECTRICAL LOCATION



DOUBLE DRAWER REFRIGERATOR CUSTOM PANEL DIMENSIONS



Notes:

1. The ø 15/32" (12 mm) holes are only needed in the top panel. Bottom panel does not need these holes.
2. The thickness of the overlay panel must be 3/4" (19 mm).
3. Overlay panel must not weigh more than 4.54 kg (10 lb).
4. Overlay panel weighing more than recommended may cause damage to the appliance.
5. It is recommended to have the help of a second person to install the panel.
6. Use the recommended tools in the installation manual to facilitate the installation of the panel. Failure to use the recommended tools or the help of a second person may result in damage to the panel and/or the appliance.

measurements in inches (mm)

T24UR900DP

UNDER-COUNTER DOUBLE DRAWER REFRIGERATOR

CUSTOM PANEL-READY



ACCESSORIES (OPTIONAL)

HANDLES

NOTE: Choose one handle for each glass door model, choose 2 handles for each double drawer model.



PR20HNDL20
20-Inch Professional Series Handle



MS20HNDL20
20-Inch Masterpiece® Series Handle

These warranties give you specific legal rights and you may have other rights that vary from state to state. Full warranty and limited warranty from date of installation. For complete warranty details, refer to your Use & Care manual, or ask your dealer.

Specifications are for planning purposes only. Refer to installation instructions and consult your countertop supplier prior to making counter opening. Consult with a heating and ventilation engineer for your specific ventilation requirements. For the most detailed information, refer to installation instructions accompanying product or write to Thermador indicating the model number. Specifications are correct at time of printing. Thermador reserves the right to change product specifications or design without notice. Some models are certified for use in Canada. Thermador is not responsible for products that are transported from the U.S. for use in Canada.

1 800 735 4328 | USA THERMADOR.COM | CANADA THERMADOR.CA | ©2018 BSH HOME APPLIANCES CORPORATION. ALL RIGHTS RESERVED.