

T24UR900DP

UNDER-COUNTER DOUBLE DRAWER REFRIGERATOR

CUSTOM PANEL-READY



Also Available:

- T24UR820DS – With Professional Series Handle
- T24UR810DS – With Masterpiece® Series Handle

FEATURES & BENEFITS

- Customizable cooling modes – Fridge, Pantry and Bar
- SoftClose® drawers for ultra-smooth closing
- Customizable drawer dividers and shelving
- Quick Chill
- LED Lighting
- Drawer mats keep items from sliding and remove for easy cleaning
- Touch electronic controls for temperature management

GENERAL PROPERTIES

| | |
|---|--------------|
| Custom Panel-Ready | Yes |
| SoftClose® Drawers | Yes |
| Lighting | LED Lighting |
| Customizable Aluminum Dividers / Shelving | Yes |
| Removable Drawer Mats | Yes |
| Full Extension Drawers | Yes |
| Drawer Open Alarm | Yes |
| Quick Chill | Yes |
| Touch Electronic Controls | Yes |
| STAR-K Certified Sabbath Mode | Yes |

CAPACITY

| | |
|--|-----------|
| Total Unit Gross Capacity (cu. ft.) – AHAM | 5 cu. ft. |
|--|-----------|

TEMPERATURE RANGES

| | |
|-----------------------|---|
| Refrigerator | 33°F (0.5°C) to 58°F (14.5°C) |
| Pre-Set Cooling Modes | Refrigerator 37°F (3°C) Pantry 53°F (12°C) Bar 34°F (1°C) |

Quick Chill

Refrigerator 33°F (0.5°C) for approximately 24 hours
Freezer -5°F (-21°C) for approximately 24 hours

TECHNICAL DETAILS

| | |
|-------------------------|-------------|
| Watts (W) | 150 W |
| Current (A) | 15 Amp |
| Volts (V) | 115 V |
| Frequency (Hz) | 60 Hz |
| Power Cord Length (in.) | 64" |
| Plug Type | 120V 3-Wire |

DIMENSIONS & WEIGHT

| | |
|--|---------------------------|
| Appliance Dimensions (H x W x D) (in.) | 34 1/4"* x 23 7/8" x 24" |
| Required Cutout Size (H x W x D) (in.) | 35" x 24 3/16" x 24 9/16" |
| Net / Gross Weight (lbs.) | 160 / 174 lbs. |

EFFICIENCY

| | |
|---------------------------|---------|
| ENERGY STAR® Qualified | Yes |
| Annual Energy Consumption | 304 kWh |

WARRANTY

Limited, Entire Appliance, Parts and Labor on any Part of the Refrigerator that Fails Because of a Manufacturing Defect

2 Year

Limited Warranty for Sealed Refrigeration System*; Parts and Labor

3rd to 6th Year

Limited Warranty for Sealed Refrigeration System*; Parts Only

7th to 12th Year

*Height adjustable + 1/2" (13 mm) with legs fully extended

**Sealed refrigeration system includes compressor, evaporator, condenser, dryer / strainer and connection tubing

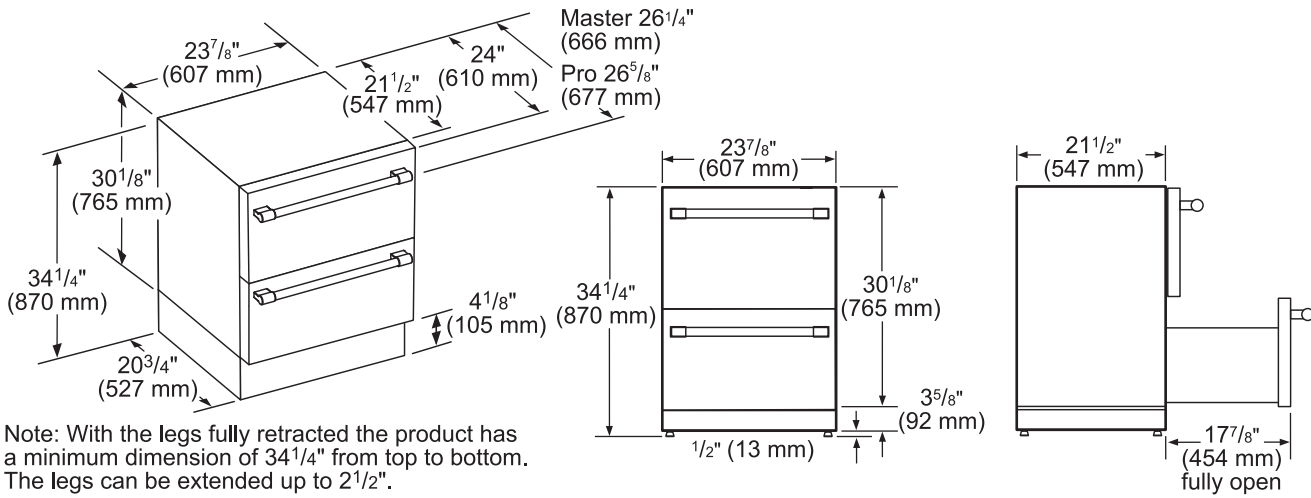
T24UR900DP

UNDER-COUNTER DOUBLE DRAWER REFRIGERATOR

CUSTOM PANEL-READY



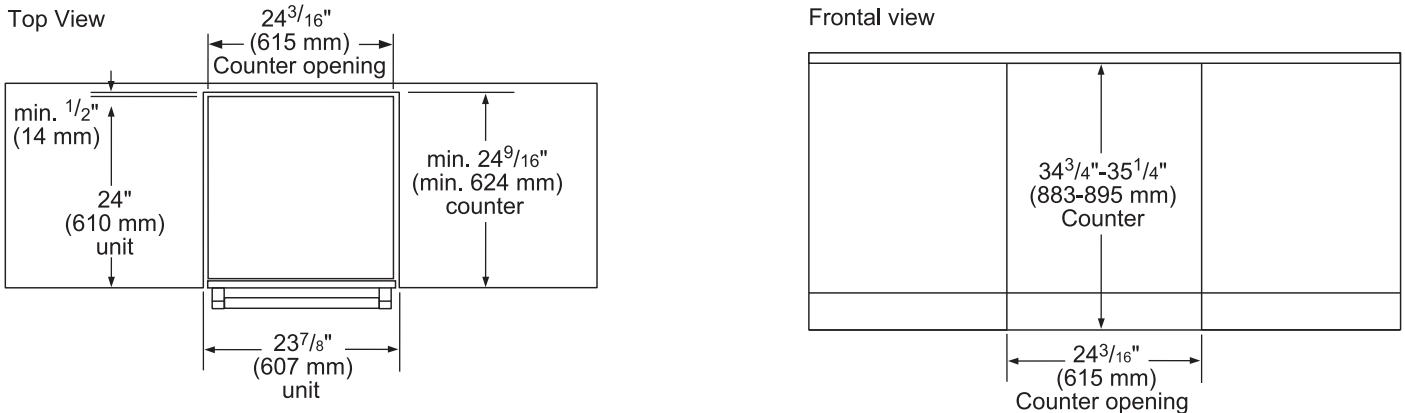
DOUBLE DRAWER REFRIGERATOR PRODUCT DIMENSIONS



Note: With the legs fully retracted the product has a minimum dimension of 34¹/₄" from top to bottom. The legs can be extended up to 21¹/₂".

measurements in inches (mm)

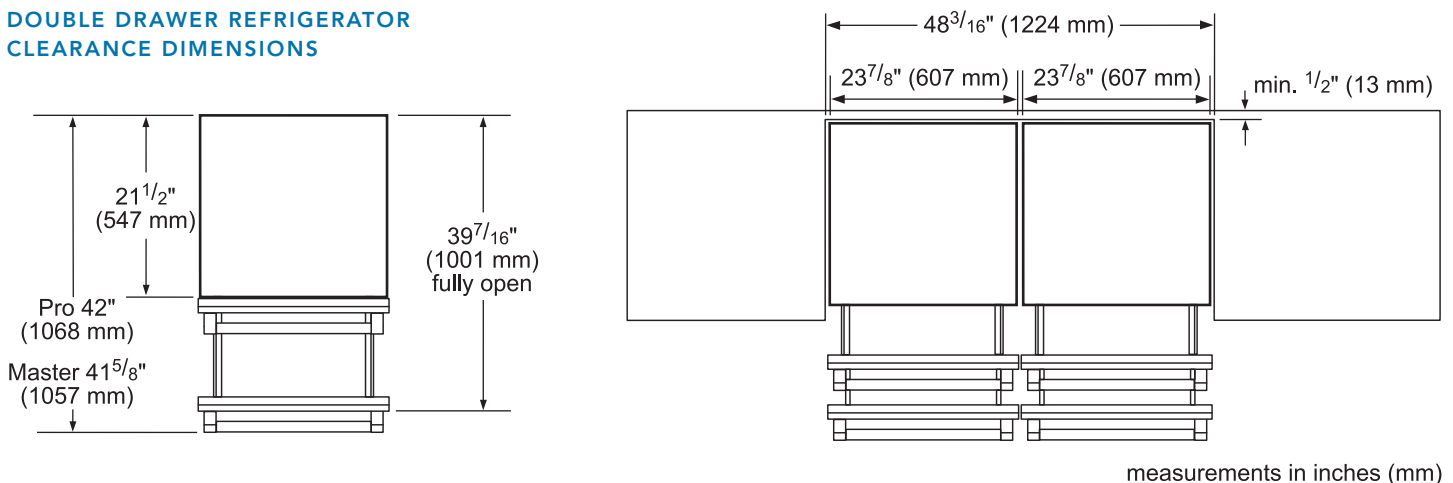
DOUBLE DRAWER REFRIGERATOR CUTOUT DIMENSIONS



Thermador double drawer under counter top dimension. (Unit door flushed with the cutout)

measurements in inches (mm)

DOUBLE DRAWER REFRIGERATOR CLEARANCE DIMENSIONS



measurements in inches (mm)

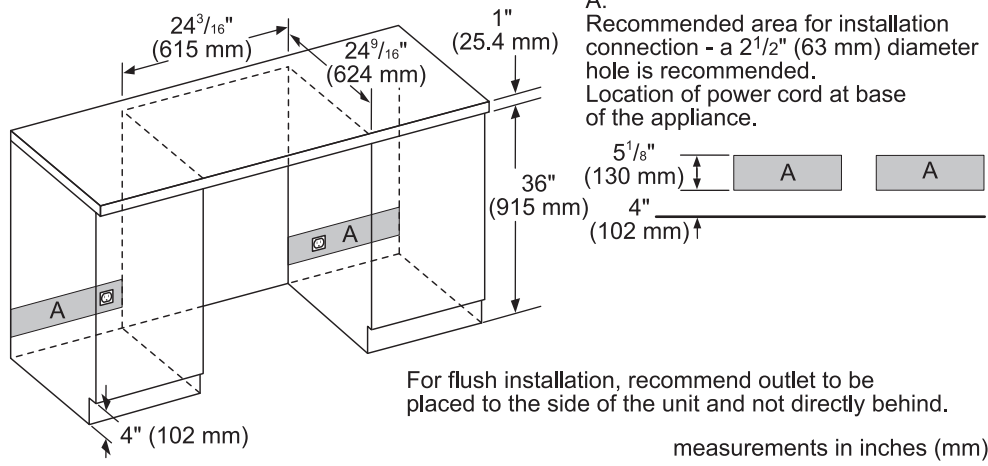
T24UR900DP

UNDER-COUNTER DOUBLE DRAWER REFRIGERATOR

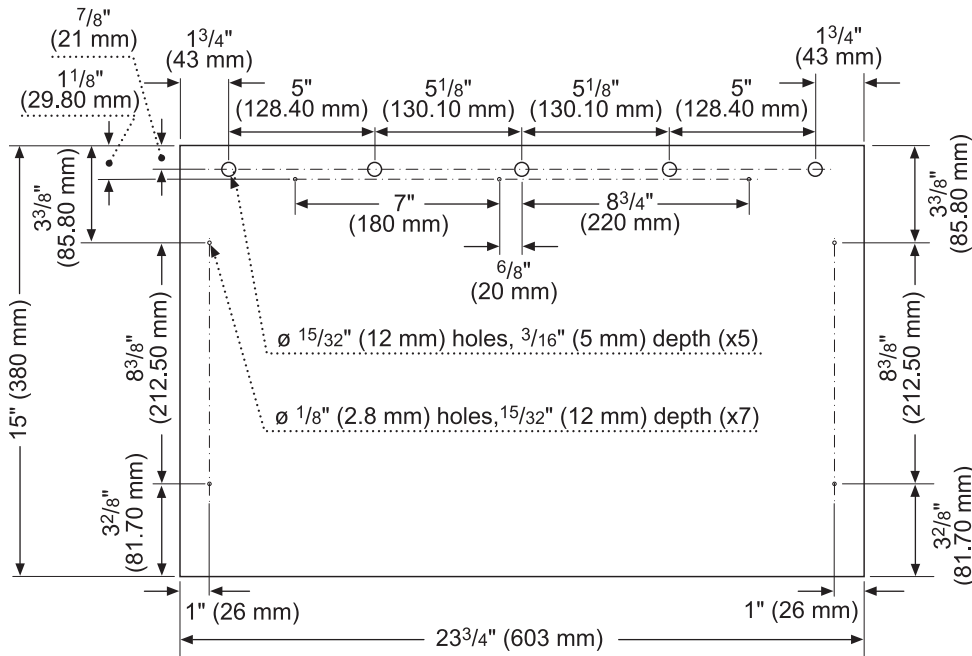
CUSTOM PANEL-READY



DOUBLE DRAWER REFRIGERATOR CUTOUT DIMENSIONS & ELECTRICAL LOCATION



DOUBLE DRAWER REFRIGERATOR CUSTOM PANEL DIMENSIONS



Notes:

1. The ø 15/32" (12 mm) holes are only needed in the top panel. Bottom panel does not need these holes.
2. The thickness of the overlay panel must be 3/4" (19 mm).
3. Overlay panel must not weigh more than 4.54 kg (10 lb).
4. Overlay panel weighing more than recommended may cause damage to the appliance.
5. It is recommended to have the help of a second person to install the panel.
6. Use the recommended tools in the installation manual to facilitate the installation of the panel. Failure to use the recommended tools or the help of a second person may result in damage to the panel and/or the appliance.

measurements in inches (mm)

These warranties give you specific legal rights and you may have other rights that vary from state to state. Full warranty and limited warranty from date of installation. For complete warranty details, refer to your Use & Care manual, or ask your dealer.

Specifications are for planning purposes only. Refer to installation instructions and consult your countertop supplier prior to making counter opening. Consult with a heating and ventilation engineer for your specific ventilation requirements. For the most detailed information, refer to installation instructions accompanying product or write to Thermador indicating the model number. Specifications are correct at time of printing. Thermador reserves the right to change product specifications or design without notice. Some models are certified for use in Canada. Thermador is not responsible for products that are transported from the U.S. for use in Canada.