

T24IR800SP

24-INCH FLUSH CUSTOM FRESH FOOD COLUMN

FREEDOM® COLLECTION, PANEL-READY



FEATURES & BENEFITS

- Freedom® Hinge enables true flush design
- Full-height door—true cabinet integration without exposed venting grille
- Brightspace interior design with All-LED sidewall and theater lighting
- FLEXTAMP® drawer providing the ultimate in preservation
- Accepts custom or stainless steel panels

TEMPERATURE RANGES

Refrigerator	35°F (2°C) to 46°F (8°C)
Temperature Controlled Drawer	Fish 32°F (0°C) Meat 35°F (1.5°C) Produce 37°F (3°C)
Deli Drawer	Just above 32°F (0°C)
SuperCool	35.5°F (2°C) for approximately 9 hours
Energy Saving (Economy) Mode	45°F (7°C)

ACCESSORIES (OPTIONAL)

Stainless Steel Panel Options:
TFL24IR800 - Flat Stainless Steel
TCH24IR800 - Chiseled Stainless Steel

Handle Options:
PR36HNDL10 - 36-Inch Professional
MS36HNDL10 - 36-Inch Masterpiece®

FRAMEKIT10 - Freedom® Frame Kit

HEATRKIT10 - Freedom® Heater Kit

GENERAL PROPERTIES

Panel Ready	Yes
Reversible Door Swing	Yes
Carbon Air Filter	Yes
Lighting	All-LED Sidewall and Theater Lighting
Full Width Shelves	4
Adjustable Shelves	3
Shelf Material	Glass w/Metal Trim
Full Extension Drawers at 90° Door Opening Angle	Yes
Temperature Controlled Drawer	Yes
Humidity Control Drawer	Yes
Door Bins	4
Gallon Door Bins	Yes
Door Open Alarm	Yes
Special Modes	Sabbath, Economy, Vacation

CAPACITY

Total Unit Gross Capacity (cu. ft.) - AHAM	13.2 cu. ft.
Refrigerator Gross Capacity (cu. ft.)	13.2 cu. ft.

PERFORMANCE

Dedicated Evaporator & Compressor System	Yes
Freeflow® Cold Air System	Yes
SuperCool	Yes

TECHNICAL DETAILS

Watts (W)	180 W
Current (A)	15 A
Volts (V)	120 V
Frequency (Hz)	60 Hz
Power Cord Length (in.)	78 3/4"
Plug Type	120V 3-Wire

DIMENSIONS & WEIGHT

Appliance Dimensions (H x W x D) (in.)	84" x 23 3/4" x 24"
Required Cutout Size (H x W x D) (in.)	84" x 24" x 24 3/4"
Net Weight (lbs)	309 lbs

EFFICIENCY

ENERGY STAR® Qualified	Yes
Annual Energy Consumption	283 kWh

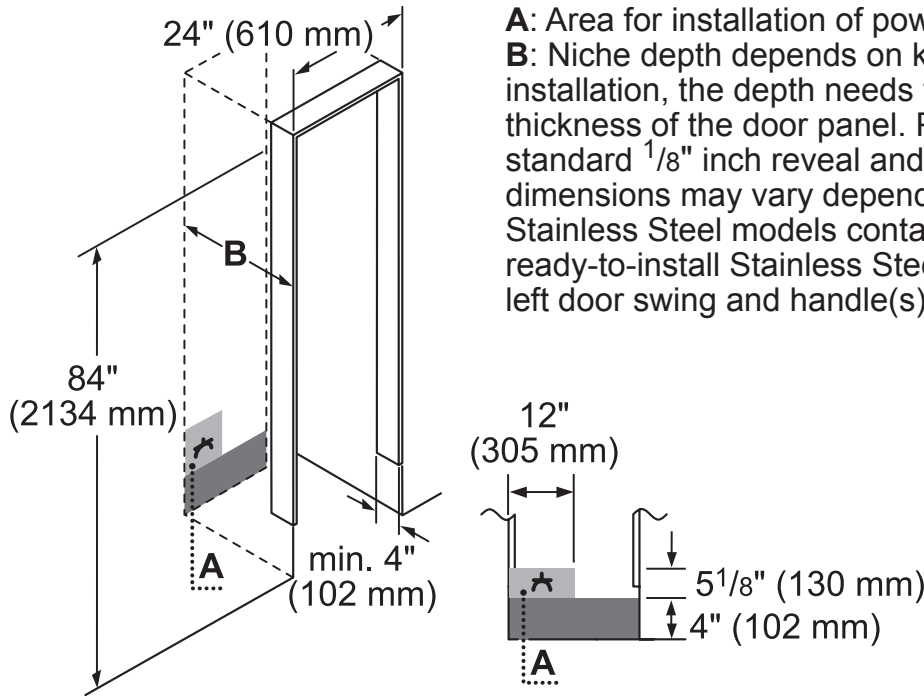
WARRANTY

Limited, Entire Appliance, Parts and Labor on Any Part of the Refrigerator that Fails Because of a Manufacturing Defect	2 Year
Limited Warranty for Sealed Refrigeration System*; Parts and Labor	3rd to 6th Year
Limited Warranty for Sealed Refrigeration System*; Parts Only	7th to 12th Year

* Sealed refrigeration system includes compressor, evaporator, condenser, dryer / strainer and connection tubing

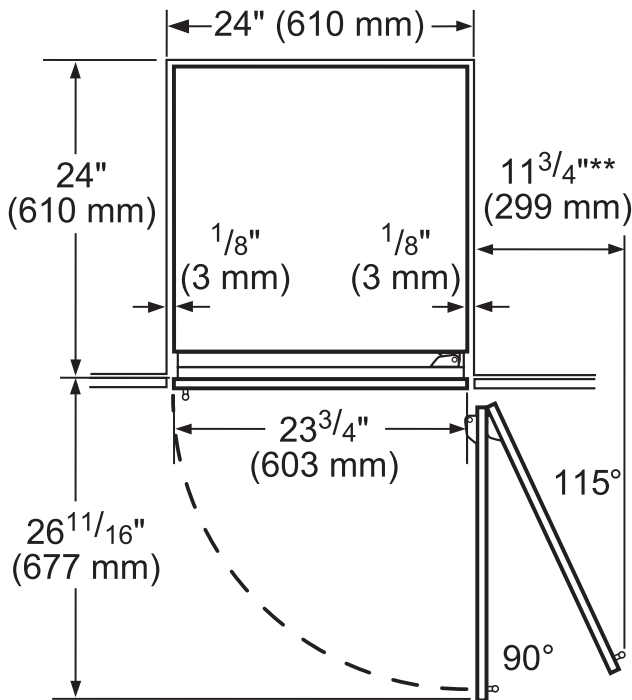
CUTOUT DIMENSIONS

Furniture return



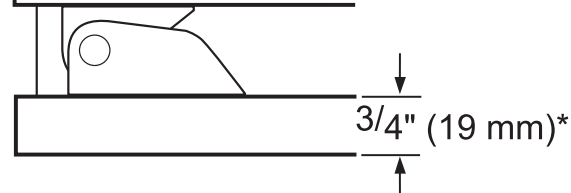
A: Area for installation of power connection.
B: Niche depth depends on kitchen design. For a flush installation, the depth needs to be at least 24 inches plus the thickness of the door panel. Panel dimensions based on a standard 1/8" inch reveal and 4 inch toe kick. Custom panel dimensions may vary depending on kitchen reveals and toe kick. Stainless Steel models contain a panel-ready base unit, ready-to-install Stainless Steel door(s) with a right or left door swing and handle(s).

TOP VIEW CLEARANCE



** Door handle must be added to this dimension

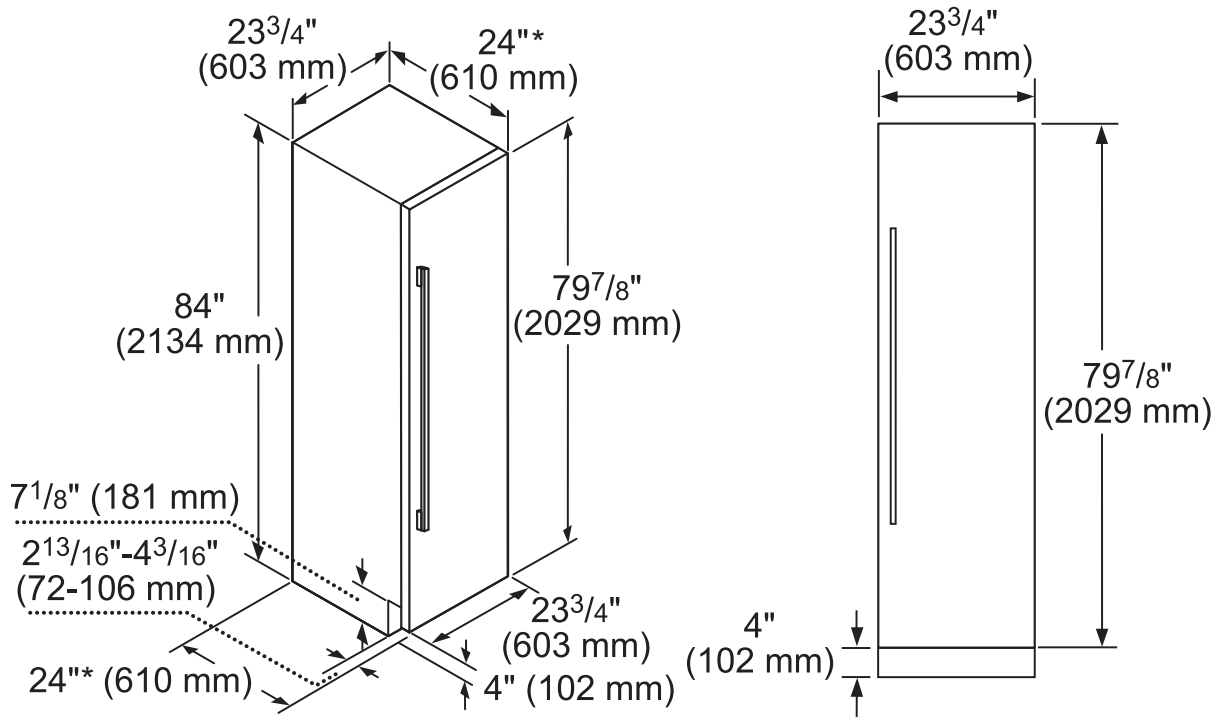
* Depends on the thickness of the furniture door. 3/4" (19 mm) is relevant for the stainless steel door. (special Accessory).



T24IR800SP
24-INCH FLUSH CUSTOM FRESH FOOD COLUMN
FREEDOM® COLLECTION, PANEL-READY



PANEL DIMENSIONS



*Excludes thickness of door panel. If standard panel with $\frac{3}{4}$ " thickness is mounted, total depth is $24\frac{3}{4}$ ".

These warranties give you specific legal rights and you may have other rights that vary from state to state. Full warranty and limited warranty from date of installation. For complete warranty details, refer to your Use & Care manual, or ask your dealer.

Specifications are for planning purposes only. Refer to installation instructions and consult your countertop supplier prior to making counter opening. Consult with a heating and ventilation engineer for your specific ventilation requirements. For the most detailed information, refer to installation instructions accompanying product or write to Thermador indicating the model number. Specifications are correct at time of printing. Thermador reserves the right to change product specifications or design without notice. Some models are certified for use in Canada. Thermador is not responsible for products that are transported from the U.S. for use in Canada.