

T24IW800SP

24-INCH FLUSH CUSTOM WINE PRESERVATION COLUMN

FREEDOM® COLLECTION



FEATURES & BENEFITS

- Freedom® Hinge enables true flush design
- Full-height door—true cabinet integration without exposed venting grille
- All-LED theater lighting
- Accepts custom or stainless steel panels
- Reversible door swing

TEMPERATURE RANGES

Upper Zone	41°F (5°C) to 64°F (18°C)
Lower Zone	41°F (5°C) to 64°F (18°C)

ACCESSORIES (OPTIONAL)

Stainless Steel Panel Options:
 TFL24IW800 - 24-Inch Flat Stainless Steel Panel
 TCH24IW800 - 24-Inch Chiseled Stainless Steel Panel

Handle Options:
 PR36HNDL10 - 36-Inch Professional Handle
 MS36HNDL10 - 36-Inch Masterpiece® Handle

FRAMEKIT10 - Freedom® Frame Kit

HEATRKIT10 - Freedom® Heater Kit

GENERAL PROPERTIES

Panel Ready	Yes
Reversible Door Swing	Yes
Carbon Air Filter	Yes
Lighting	All-LED Theater Lighting
Number of Shelves	11
Shelf Material	Dark Exotic Hardwood
Full Extension Shelves at 90° Door Opening Angle	Yes
Presenter Shelf	Yes
Bottles Per Shelf	7
Portable Aluminum Wine Presenter	Yes
Type Of Glass Door	Tempered and UV-protective
Number Of Temperature Zones	2
Door Open Alarm	Yes
Special Modes	Sabbath, Economy, Vacation

CAPACITY

Bottle Capacity (750 ml)	80
--------------------------	----

TECHNICAL DETAILS

Watts (W)	102 W
Current (A)	15 A
Volts (V)	120 V
Frequency (Hz)	60 Hz
Power Cord Length (in.)	78 3/4"
Plug Type	120V-3 Prong

DIMENSIONS & WEIGHT

Appliance Dimensions (H x W x D) (in.)	84" x 23 3/4" x 24"
Required Cutout Size (H x W x D) (in.)	84" x 24" x 24 3/4"
Net Weight (lbs)	317 lbs

EFFICIENCY

Annual Energy Consumption	421 kWh
---------------------------	---------

WARRANTY

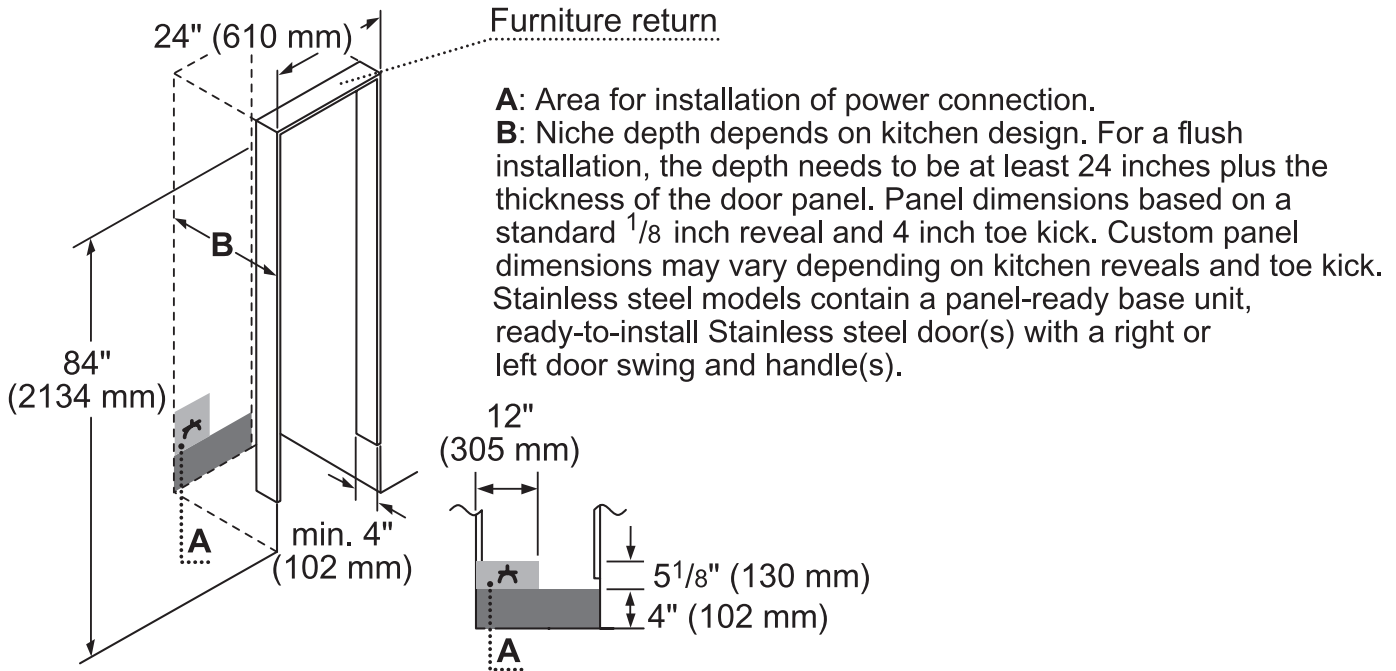
Limited, Entire Appliance, Parts and Labor on Any Part of the Refrigerator that Fails Because of a Manufacturing Defect	2 Year
Limited Warranty for Sealed Refrigeration System*; Parts And Labor	3rd to 6th Year
Limited Warranty for Sealed Refrigeration System*; Parts Only	7th to 12th Year

* Sealed refrigeration system includes compressor, evaporator, condenser, dryer / strainer and connection tubing

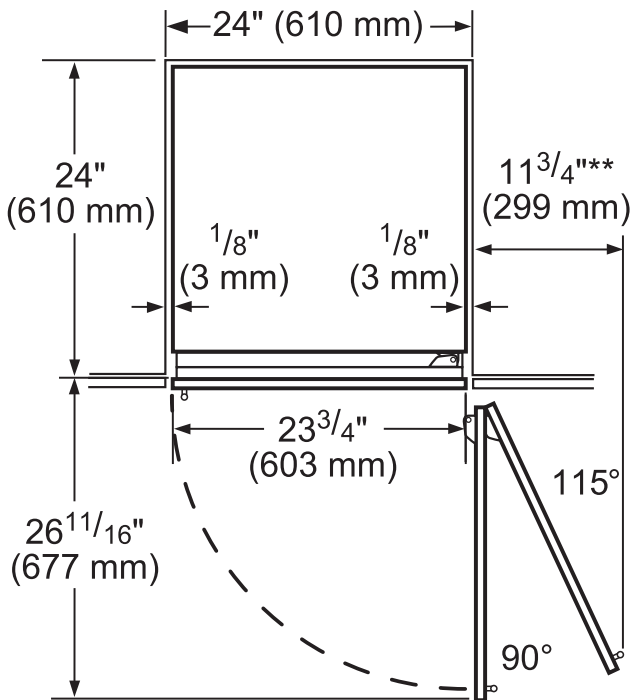
T24IW800SP
24-INCH FLUSH CUSTOM WINE
PRESERVATION COLUMN
 FREEDOM® COLLECTION



CUTOUT DIMENSIONS

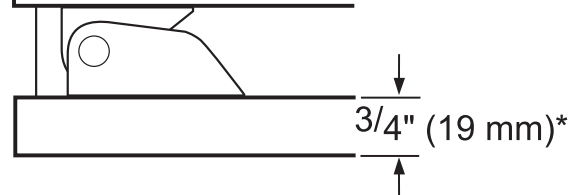


TOP VIEW CLEARANCE



** Door handle must be added to this dimension

* Depends on the thickness of the furniture door.
 3/4" (19 mm) is relevant for the stainless steel door. (special Accessory).



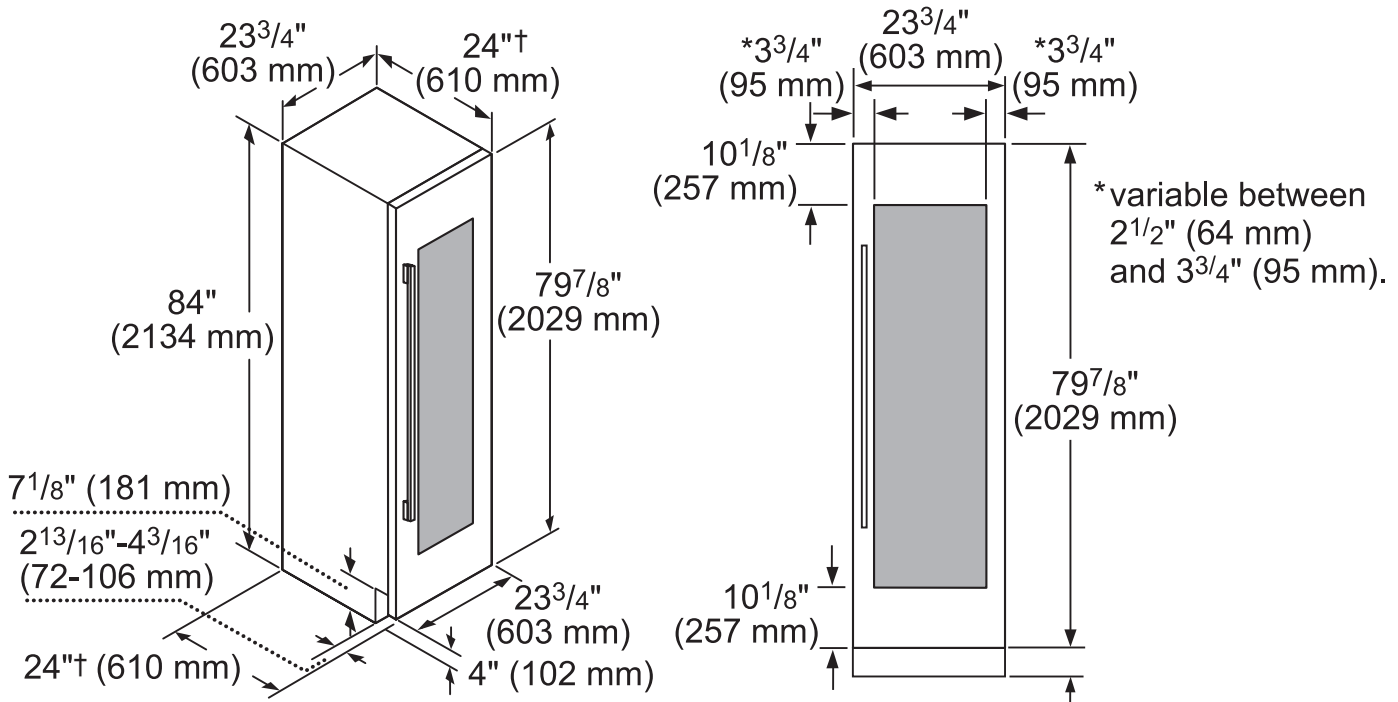
T24IW800SP

24-INCH FLUSH CUSTOM WINE PRESERVATION COLUMN

FREEDOM® COLLECTION



PANEL DIMENSIONS



†Excludes thickness of door panel. If standard panel with 3/4" thickness is mounted, total depth is 24 3/4".

These warranties give you specific legal rights and you may have other rights that vary from state to state. Full warranty and limited warranty from date of installation. For complete warranty details, refer to your Use & Care manual, or ask your dealer.

Specifications are for planning purposes only. Refer to installation instructions and consult your countertop supplier prior to making counter opening. Consult with a heating and ventilation engineer for your specific ventilation requirements. For the most detailed information, refer to installation instructions accompanying product or write to Thermador indicating the model number. Specifications are correct at time of printing. Thermador reserves the right to change product specifications or design without notice. Some models are certified for use in Canada. Thermador is not responsible for products that are transported from the U.S. for use in Canada.