

# T36IT900NP

## 36-INCH BUILT-IN FRENCH DOOR BOTTOM FREEZER

FREEDOM® COLLECTION, PANEL-READY



### FEATURES & BENEFITS

- Freedom® Hinge enables true flush design
- The new Auto Door Opening provides the opening of the door with just a slight push or pull
- Delicate Produce Bins for expanded storage
- ThermaFresh System, Humidity and Temperature controlled drawers
- SoftClose® Drawers and Produce Bins for easy and controlled storage
- Sleek clean design for the perfect symmetry when paired with additional columns
- TFT control panel managing all your columns functions

### TEMPERATURE RANGES

Refrigerator	35°F (2°C) to 46°F (8°C)
Adjustable Temperature Drawer	32°F (0°C) to 37°F (3°C)
Deli Drawer	N/A
SuperCool	35.5°F (2°C) for approximately 9 hours
Energy Saving (Economy) Mode	Refrigerator: 45°F (7°C) Freezer: 3°F (-16°C)
Freezer	-9°F (-23°C) to 7°F (14°C)
SuperFreeze®	-9°F (-23°C) for approximately 52 hours

\*Height adjustable + / -1/2" (+ / -13 mm)

### GENERAL PROPERTIES

Panel Ready	Yes
Reversible Door Swing	No
SoftClose® Drawers	Yes
Carbon Air Filter	Yes
Lighting	New Bar ALL LED Sidewall and Theater Lighting
Full Width Shelves – Refrigerator	2
Adjustable Shelves – Refrigerator	2
Shelf Material	Glass w/Aluminum Profile
Full Extension Drawers @ 115° Door Opening Angle	Yes
Full Extension Drawers @ 90° Door Opening Angle	Yes
Temperature Controlled Drawer	1
Humidity Controlled Drawer	ThermaFresh Plus
General Use Drawer	1
Door Bins – Refrigerator	2
Gallon Door Bins – Refrigerator	2
Delicate Produce Bins	2 Small
Defrost Process – Freezer	Frost-Free
Drawers – Freezer	1
Ice Maker with Diamond Ice System	Yes
Door Open Alarms	Yes
Open Door Assist	Yes
SuperCool	Yes
SuperFreeze®	Yes
Special Modes	Sabbath, Economy, Vacation

### CAPACITY

Total Unit Gross Capacity (cu. ft.) – AHAM	19.4 cu. ft.
Freezer Gross Capacity (cu. ft.)	5.5 cu. ft.
Refrigerator Gross Capacity (cu. ft.)	13.9 cu. ft.

### TECHNICAL DETAILS

Watts (W)	588 W
Current (A)	15 A
Volts (V)	120V-3 Prong
Frequency (Hz)	60 Hz
Power Cord Length (in.)	139
Plug Type	120V-3 Prong

### DIMENSIONS & WEIGHT

Appliance Dimensions (H x W x D) (in.)	83 3/4" x 35 3/4" x 24 3/4"
Required Cutout Size (H x W x D) (in.)	84" x 36" x 25"
Net / Gross Weight (lbs)	540 / 573 lbs

### EFFICIENCY

ENERGY STAR® Most Efficient	Yes
Annual Energy Consumption	585 kWh

# T36IT900NP

## 36-INCH BUILT-IN FRENCH DOOR BOTTOM FREEZER

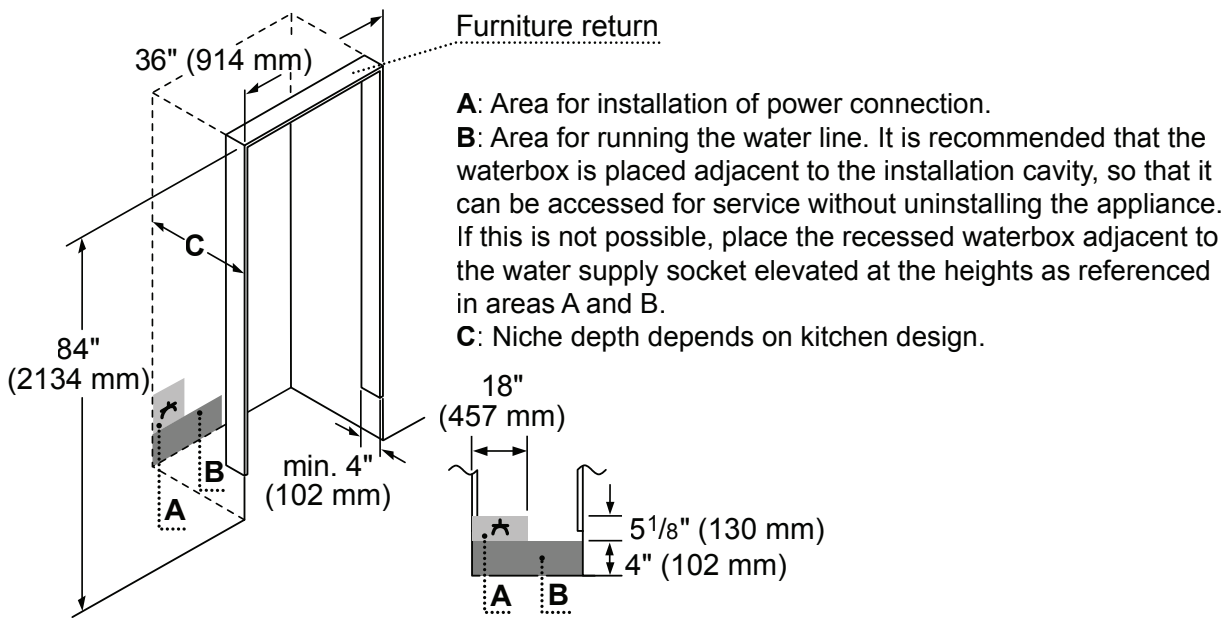
FREEDOM® COLLECTION, PANEL-READY



WARRANTY	
Limited, Entire Appliance, Parts and Labor on Any Part of the Refrigerator that Fails Because of a Manufacturing Defect	2 Year
Limited Warranty for Sealed Refrigeration System**; Parts and Labor	3rd to 6th Year
Limited Warranty for Sealed Refrigeration System**; Parts Only	7th to 12th Year
Limited Warranty for Stainless Steel Rust-Through	Lifetime

\*\*Sealed refrigeration system includes compressor, evaporator, condenser, dryer / strainer and connection tubing

### CUTOUT DIMENSIONS



### TOP VIEW CLEARANCE

