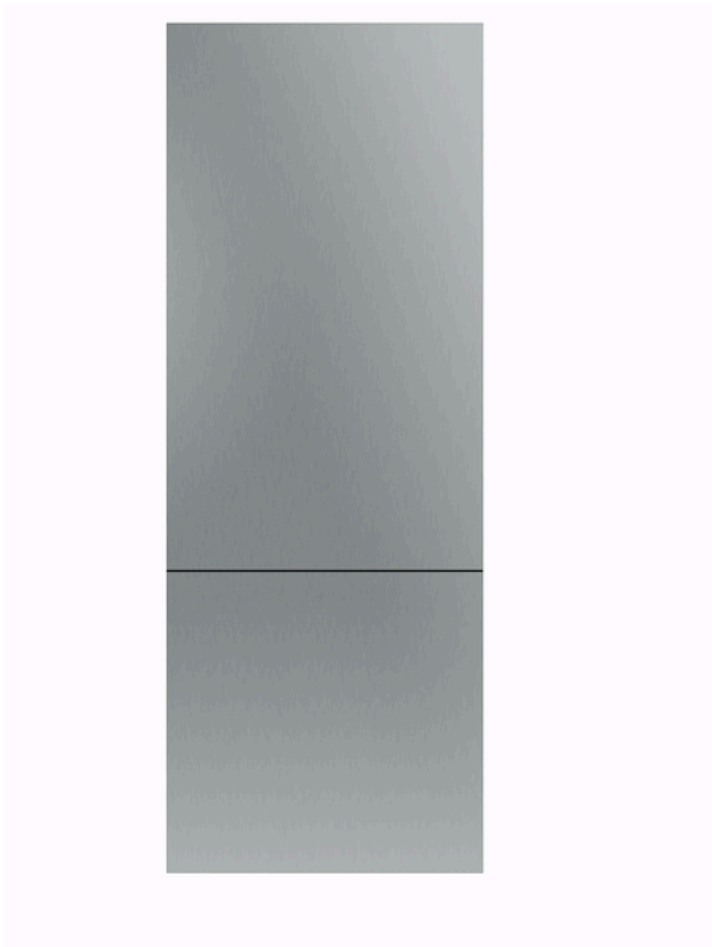


30" Panel 2 Door Fridge Freezer



Product Features

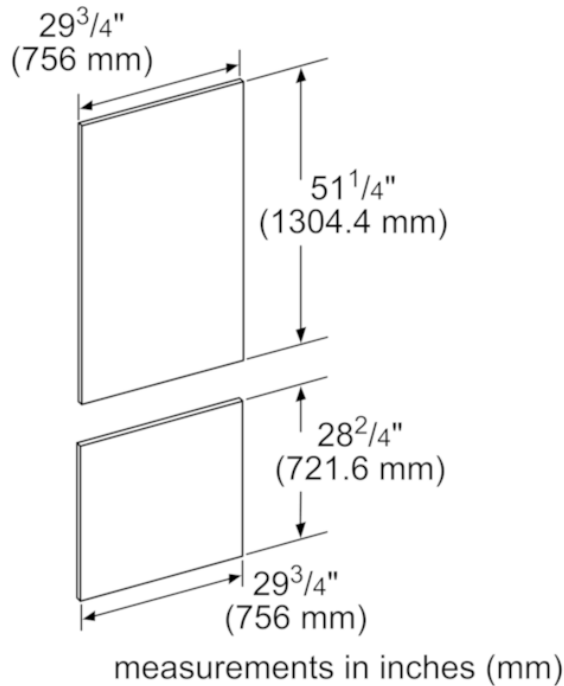


Notes: Please refer to installation instructions. Installation instructions are available at www.thermador.com. Specifications are correct at the time of printing. Thermador reserves the right to change product specifications and design at any time, without notice.

1 800 735 4328 | WWW.THERMADOR.COM | 1901 Main Street, Suite 600 Irvine, CA 92614

©2020 BSH HOME APPLIANCES CORPORATION, ALL RIGHTS RESERVED LITHO DATE: 05/2020

30" Panel 2 Door Fridge Freezer



Product Features

Product group	Accessory
Brand	Thermador
SKU	TFL30IB905
Internal article number	00000000023000330
EAN code	825225956457
Net weight (lbs)	73
Gross weight (lbs)	80
Standard number of units per pallet	12
UPC code	825225956457
Name of product image	MCSA02537117_i5938_1905524_TFL30IB905_PGA2

Technical Specification

Notes: Please refer to installation instructions. Installation instructions are available at www.thermador.com. Specifications are correct at the time of printing. Thermador reserves the right to change product specifications and design at any time, without notice.

1 800 735 4328 | WWW.THERMADOR.COM | 1901 Main Street, Suite 600 Irvine, CA 92614

©2020 BSH HOME APPLIANCES CORPORATION, ALL RIGHTS RESERVED LITHO DATE: 05/2020