

PODMCW31W

30-INCH TRIPLE COMBINATION BUILT-IN OVEN WITH SPEED OVEN

PROFESSIONAL SERIES



GENERAL PROPERTIES

Heating Modes – Upper Cavity

36 CookSmart™ Auto Programs (including True Convection, Speed Convection, Broil, Convection Broil, Keep Warm) and Heating Programs and Microwave Programs

Heating Modes – Lower Cavity

(16) Bake, Broil, Max Broil, Roast, Convection Bake, Convection Broil, Max Convection Broil, Convection Roast, Proof, Warm, Pizza, True Convection, Dehydrate, Speed Convection, Slow Roast, Rotisserie

| | | |
|------------------------------|-----------------------------------------|----------------|
| Sabbath | Yes | |
| Warming Drawer | Yes | |
| Cleaning Type – Lower Cavity | Easy Clean and Self Clean | |
| Telescopic Rack(s) | 3 | |
| Illumination Type | Upper Cavity Lower Cavity | LED Halogen |
| Interior Lights | Upper Cavity Lower Cavity | 1 2 |
| Home Connect (Wi-Fi Enabled) | Yes, Lower Oven and Warming Drawer Only | |

OVEN PERFORMANCE

| | | |
|----------------------|------------------------------|------------------------------------------|
| Microwave Power | 1,000 W | |
| Bake / Broil Element | Upper Cavity Lower Cavity | 600 W / 1,750 W 2,400 / 1,000/3,800 W |
| Convection Element | Upper Cavity Lower Cavity | 1,700 W 2,000 W |
| Warming Drawer | 450 W | |

TECHNICAL DETAILS

| | | |
|------------------|---------------------------|--|
| Watts | 10,200 W | |
| Circuit Breaker | 50 A | |
| Volts; Frequency | 240 / 208 V; 60 Hz | |
| Plug Type | Fixed Connection, No Plug | |
| Conduit | 60" 4-Wire | |
| Energy Source | Electric | |

DIMENSIONS & WEIGHT

| | | |
|------------------------------------------------|------------------------------|--|
| Overall Appliance Dimensions (HxWxD) | 61 3/16" x 29 3/4" x 24 1/2" | |
| Trim Overlaps (Top – Sides – Bottom) | 3/8 to 2" – 9/16" – 0" | |
| Required Cutout Size (HxWxD) – Standard | 60 3/4" x 28 1/2" x 23 1/2" | |
| Required Cutout Size (HxWxD) – Flush | 61 5/16" x 30" x 24 1/2" | |
| Speed Oven Capacity | 1.6 cu. ft. | |
| Oven Capacity | 4.5 cu. ft. | |
| Warming Drawer Capacity | 2.5 cu. ft. | |
| Overall Lower Oven Interior Dimensions (HxWxD) | 17 3/4" x 24" x 17 7/8" | |
| Usable Lower Oven Interior Dimensions (HxWxD) | 13 1/2" x 21 5/8" x 16 1/4" | |
| Net Weight | 346 lbs | |

FEATURES & BENEFITS

- ★ - First triple combination oven with speed oven in the market
- Designed for flexibility – standard or flush installation into kitchen cabinets
- Specially crafted gray glass on stainless steel for a luxurious look and finish
- Speed oven with microwave capability can broil and convection bake
- Large commercial style rotisserie with 12 pound capacity

ACCESSORIES (INCLUDED)

Upper Cavity: Metal Turntable, Rack, Ceramic Tray; Lower Cavity: 3 Telescopic Racks, Multi-point Meat Probe, Max Broil Pan, Rotisserie

WARRANTY

| | |
|----------------------------------|--------|
| Limited Warranty Parts and Labor | 2 Year |
|----------------------------------|--------|

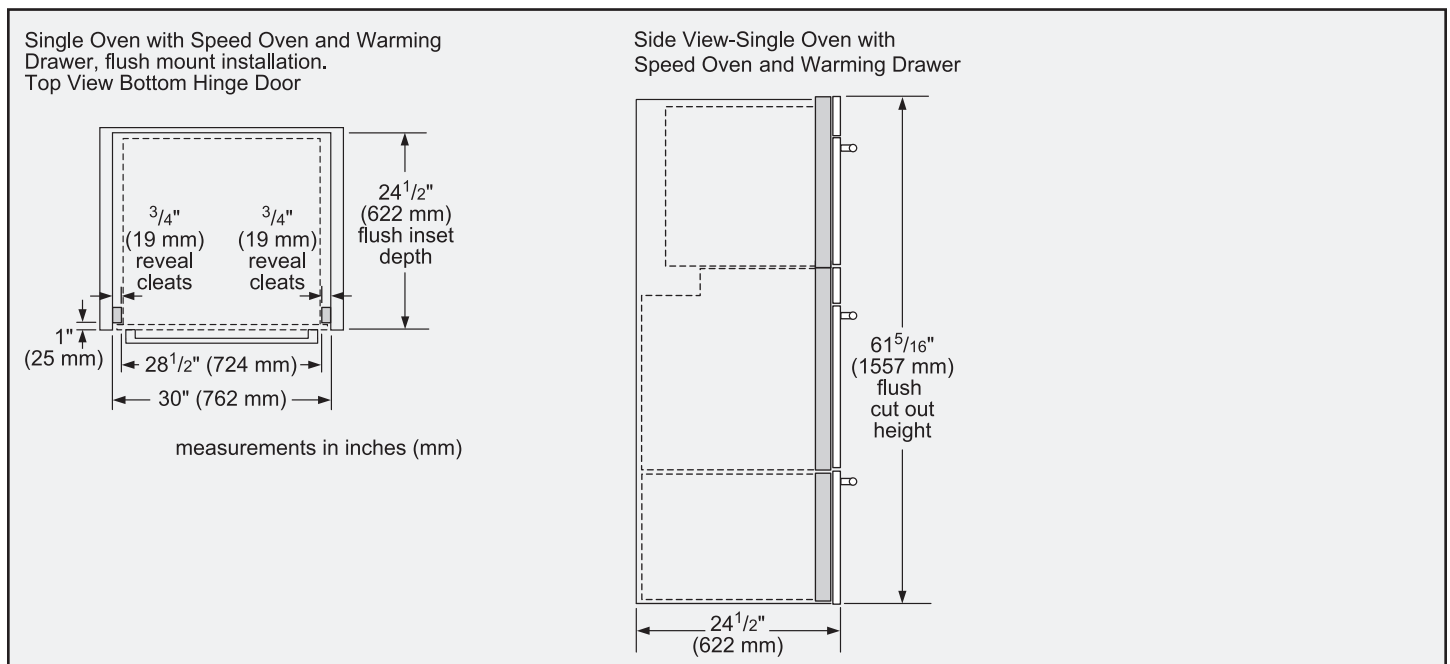
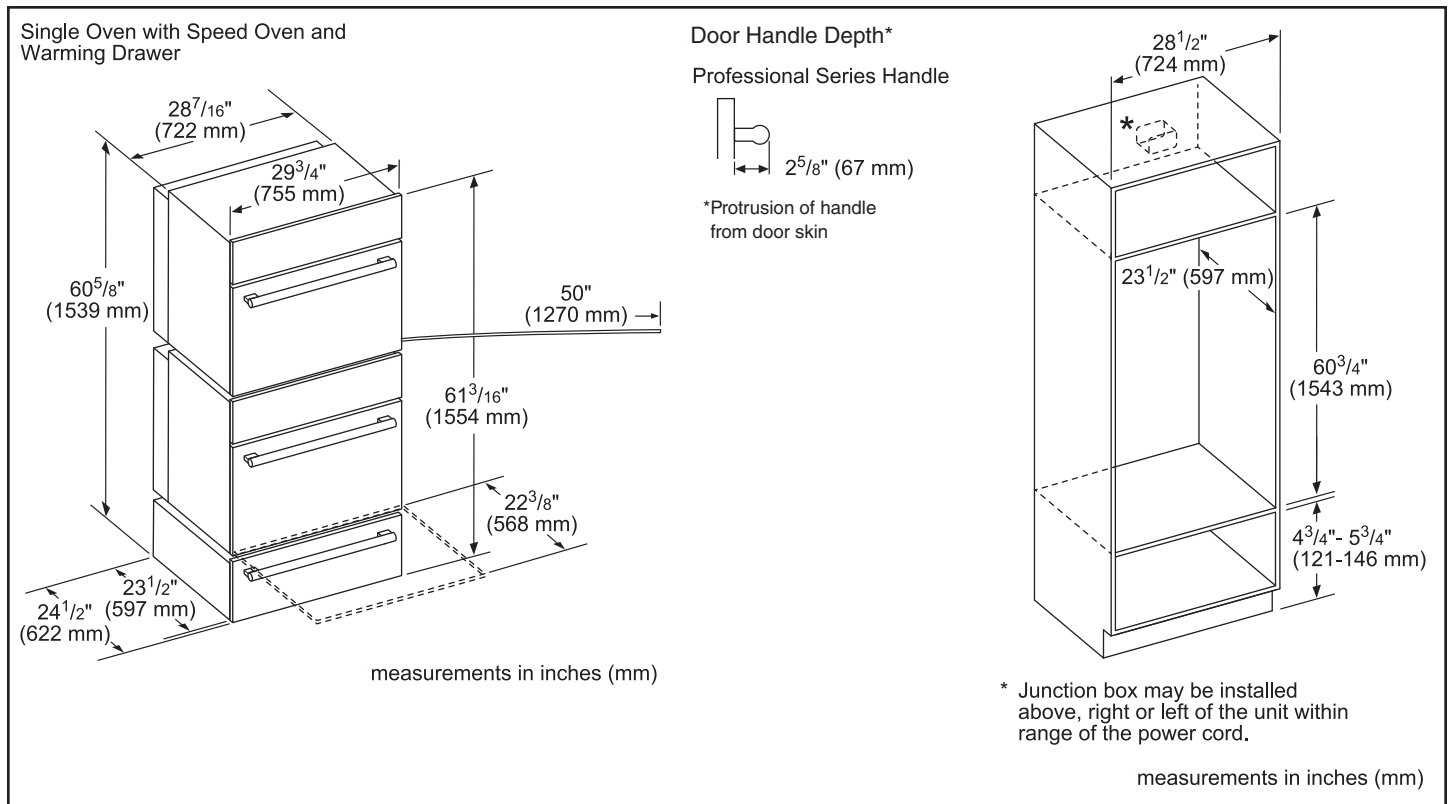
PODMCW31W

30-INCH TRIPLE COMBINATION BUILT-IN OVEN WITH SPEED OVEN

PROFESSIONAL SERIES



30-INCH TRIPLE COMBINATION OVEN WITH SPEED OVEN AND WARMING DRAWER



These warranties give you specific legal rights and you may have other rights that vary from state to state. Full warranty and limited warranty from date of installation. For complete warranty details, refer to your Use & Care manual, or ask your dealer.

Specifications are for planning purposes only. Refer to installation instructions and consult your countertop supplier prior to making counter opening. Consult with a heating and ventilation engineer for your specific ventilation requirements. For the most detailed information, refer to installation instructions accompanying product or write to Thermador indicating the model number. Specifications are correct at time of printing. Thermador reserves the right to change product specifications or design without notice. Some models are certified for use in Canada. Thermador is not responsible for products that are transported from the U.S. for use in Canada.