

# T24IR905SP

## 24-INCH BUILT-IN FRESH FOOD COLUMN

FREEDOM® COLLECTION, PANEL-READY



### FEATURES & BENEFITS

- Full Stainless Steel Inner Liner
- Freedom® Hinge enables true flush design
- Auto Door Opening provides the opening of the door with just a slight push or pull
- ThermaFresh System, Humidity and Temperature controlled drawers
- SoftClose® Drawers for easy and controlled storage
- Sleek clean design for the perfect symmetry when paired with additional columns
- TFT control panel managing all your columns functions

### TEMPERATURE RANGES

|                               |                                      |
|-------------------------------|--------------------------------------|
| Refrigerator                  | 36°F (2°C) to 46°F (8°C)             |
| Temperature Controlled Drawer | 30°F (-1°C) to 38°F (3°C)            |
| SuperCool                     | 36°F (2°C) for approximately 6 hours |
| Energy Saving (Economy) Mode  | 43°F (6°C)                           |

### GENERAL PROPERTIES

|  |                                   |
|--|-----------------------------------|
| Home Connect™ (Wi-Fi Enabled)                    | Yes                               |
| Panel Ready                                      | Yes                               |
| Reversible Door Swing                            | Yes                               |
| SoftClose® Door                                  | Yes*                              |
| SoftClose® Drawers                               | Yes                               |
| Carbon Air Filter                                | Yes                               |
| Lighting   | LED Sidewall and Theater Lighting |
| Refrigerator Shelves                             | 4                                 |
| Adjustable Shelves                               | 3                                 |
| Shelf Material                                   | Glass w/Aluminum Profile          |
| Full Extension Drawers @ 115° Door Opening Angle | Yes                               |
| Full Extension Drawers @ 90° Door Opening Angle  | Yes                               |
| General Use Drawer                               | 1                                 |
| Humidity Managed Drawer                          | 1                                 |
| Temperature Controlled Drawer                    | 1                                 |
| Door Bins  | 3                                 |
| Gallon Door Bins                                 | 1                                 |
| Door Open Alarm                                  | Yes                               |
| Open Door Assist                                 | Yes                               |
| Special Modes                                    | Sabbath, Economy, Vacation        |

### CAPACITY

|                          |              |
|--------------------------|--------------|
| Total Capacity (cu. ft.) | 13.0 cu. ft. |
|--------------------------|--------------|

### PERFORMANCE

|  |     |
|--|-----|
| Dedicated Evaporator & Compressor System | Yes |
| Freeflow® Cold Air System                | Yes |
| SuperCool                                | Yes |

### TECHNICAL DETAILS

|                         |              |
|-------------------------|--------------|
| Watts (W)               | 350 W        |
| Current (A)             | 15 A         |
| Volts (V)               | 110-120 V    |
| Frequency (Hz)          | 60 Hz        |
| Power Cord Length (in.) | 118          |
| Plug Type               | 120V-3 Prong |

### DIMENSIONS & WEIGHT

|  |                            |
|--|----------------------------|
| Appliance Dimensions (H x W x D) (in.) | 83 3/4"*** x 23 3/4" x 24" |
| Required Cutout Size (H x W x D) (in.) | 84" x 24" x 25"            |
| Net / Gross Weight (lbs)               | 330 / 352 lbs              |

### EFFICIENCY

|                           |         |
|---------------------------|---------|
| ENERGY STAR® Qualified    | Yes     |
| Annual Energy Consumption | 254 kWh |

\*To verify if you have a refrigeration unit with Soft-Close capability please contact our customer team by calling 1-800-735-4328.

\*\*Height adjustable + / -1/2" (+ / -13 mm)

# T24IR905SP

## 24-INCH BUILT-IN FRESH FOOD COLUMN

FREEDOM® COLLECTION, PANEL-READY

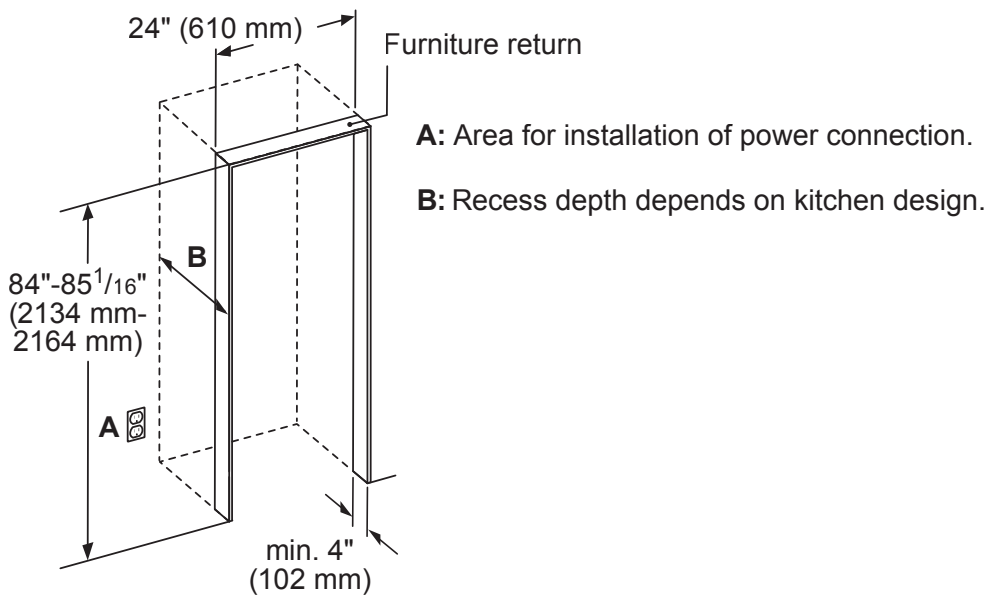


### WARRANTY

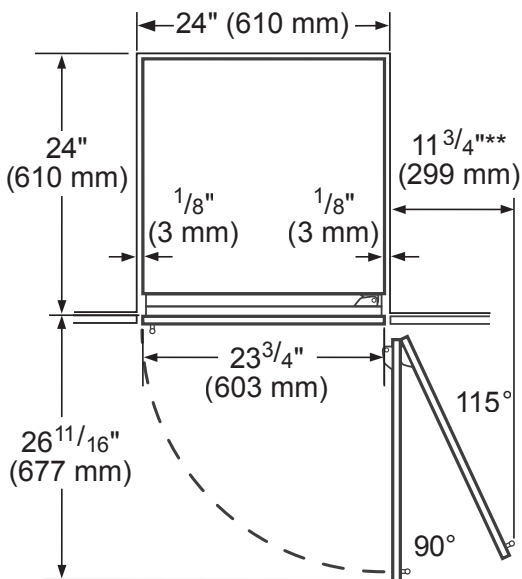
|   |                  |
|---|------------------|
| Limited, Entire Appliance, Parts and Labor on Any Part of the Refrigerator that Fails Because of a Manufacturing Defect | 2 Year           |
| Limited Warranty for Sealed Refrigeration System*; Parts and Labor  | 3rd to 6th Year  |
| Limited Warranty for Sealed Refrigeration System*; Parts Only   | 7th to 12th Year |
| Limited Warranty for Stainless Steel Rust-Through   | Lifetime         |

\*Sealed refrigeration system includes compressor, evaporator, condenser, dryer / strainer and connection tubing

### CUTOUT DIMENSIONS



### TOP VIEW CLEARANCE



\*\* Door handle must be added to this dimension

\* Depends on the thickness of the furniture door. 3/4" (19 mm) is relevant for the stainless steel door. (special Accessory).

