

INSTALLATION MANUAL

For Thermador Professional® Cooktops

MANUEL D'INSTALLATION

Des tables de cuisson Thermador Professional®

MANUAL DE INSTALACIÓN

Para Parrillas de Thermador Professional®

Models/
Modèles/
Modelos:
PCG30
PCG36
PCG48

Thermador® | *An American Icon*™

Table of Contents

Safety Instructions	2
Before you Begin	2
Important Installation Information	3
Step 1: Ventilation Requirements	3
Step 2: Cabinet Preparation	5
Step 3: Unpacking, Moving, Placing and Anchoring the Cooktop	10
Step 4: Gas Requirements and Hookup	11
Step 5: Electrical Requirements, Connection and Grounding	12
Step 6: Backguard Installation	13
Step 7: Burner Test and Adjustment	13
Installer Checklist	14
To Clean and Protect Exterior Surfaces	15

This Thermador Appliance is made by
BSH Home Appliances Corporation
5551 McFadden Ave.
Huntington Beach, CA 92649

Questions?

1-800-735-4328

www.thermador.com

We look forward to hearing from you!

For Massachusetts Installations:

1. Installation must be performed by a qualified or licensed contractor, plumber or gas fitter qualified or licensed by the state, province or region where this appliance is being installed.
2. Shut-off valve must be a "T" handle gas cock.
3. Flexible gas connector must not be longer than 36 inches.



WARNING:

If the information in this manual is not followed exactly, a fire or explosion may result causing property damage, personal injury or death.

- **Do not store or use gasoline or other flammable vapors and liquids in the vicinity of this or any other appliance.**
- **WHAT TO DO IF YOU SMELL GAS**
 - Do not try to light any appliance.
 - Do not touch any electrical switch.
 - Do not use any phone in your building.
 - Immediately call your gas supplier from a neighbor's phone. Follow the gas supplier's instructions.
 - If you cannot reach your gas supplier, call the fire department.
- **Installation and service must be performed by a qualified installer, service agency or the gas supplier.**

Safety Instructions



Important Safety Instructions

READ AND SAVE THESE INSTRUCTIONS

APPROVED FOR ALL RESIDENTIAL APPLIANCES

FOR RESIDENTIAL USE ONLY

Before you Begin

IMPORTANT: Save these Instructions for the Local Electrical Inspector's use.

INSTALLER: Please leave these Instructions with this unit for the owner.

OWNER: Please retain these instructions for future reference.



WARNING:

Improper installation, adjustment, alteration, service or maintenance can cause injury or property damage. Refer to this manual. For assistance or additional information consult a qualified installer, service agency, manufacturer (dealer) or the gas supplier.

NOTE:

This Cooktop is **NOT** designed for installation in manufactured (mobile) homes or for installation in Recreational Park Trailers.

DO NOT install this appliance outdoors.

Data Rating Plate

Cooktop Models:

The data rating plate showing the model and serial numbers of your cooktop is located on the underside of the cooktop chassis near the gas inlet connection and electric power cord. This information is required if customer service is requested. Before installation, the model and serial numbers should be entered in the appropriate spaces in the "BEFORE CALLING FOR SERVICE" section near the back of the Care and Use Manual. After installation, accessing the information is difficult.

PLEASE READ ENTIRE INSTRUCTIONS BEFORE PROCEEDING

IMPORTANT: LOCAL CODES VARY. INSTALLATION, ELECTRICAL CONNECTIONS, GAS CONNECTIONS,

AND GROUNDING MUST COMPLY WITH ALL APPLICABLE CODES.

Electrical Power Supply

30" Model:

4 Burners - 120 VAC, 60 Hz., 1 Ph., 10 Amp circuit

36" Models:

6 Burners - 120 VAC, 60 Hz., 1 Ph., 10 Amp circuit
4 Burners with Electric Griddle - 120 VAC, 60 Hz., 1 Ph., 15 Amp circuit

48" Model:

6 Burners with Electric Griddle - 120 VAC, 60 Hz., 1 Ph., 15 Amp circuit

Gas Supply

Natural Gas – 6" min. to 14" max. water column (14.9 mb to 34.9 mb)

Propane Gas – 11" min. to 14" max. water column (27.4 mb to 34.9 mb)



WARNING

Disconnect power before installing. Before turning power **ON**, be sure that all controls are in the **OFF** position.

All sealed burners are rated at 18,000 BTU/HR (*15,000 BTU/HR on LP). *All models are convertible to LP/Propane gas using an accessory conversion kit.

IMPORTANT

- A backguard must be utilized when there is less than a 12" horizontal clearance between combustible materials and the back edge of the cooktop. The Thermador Low Back backguard must be ordered separately and installed at the rear of the cooktop. For island installations and other installations with more than 12" clearance, an optional stainless steel Island Trim is available to cover the backguard mounting flanges.
- Verify that the appliance is correct for the type of gas being provided. Refer to "Step 4: Gas Requirements and Hookup" on page 11 before proceeding with the installation.

Important Installation Information

It is strongly recommended that this appliance be installed in conjunction with a suitable **overhead vent hood**. (See “Step 1: Ventilation Requirements”.)

Check local building codes for the proper method of appliance installation. Local codes vary. Installation, electrical connections and grounding must comply with all applicable codes. In the absence of local codes the appliance should be installed in accordance with the National Electric Code ANSI Z223.1 current issue and National Gas Code ANSI/NFPA 70 – current issue. In Canada, installation must be in accordance with the CAN 1-B149.1 and .2 – Installation Codes for Gas Burning Appliances and/or local codes.

This appliance is equipped with an intermittent/interrupted ignition device that cycles the two far left surface burners on and off when in the ExtraLow setting.



CAUTION

(1) When connecting the unit to propane gas, make certain the propane gas tank is equipped with its own high-pressure regulator in addition to the pressure regulator supplied with this unit. The maximum gas pressure to this appliance is not to exceed 14.0 inches water column (34.9 mb) from the propane gas tank regulator.

(2) This unit is designed as a cooking appliance. Based on safety considerations, never use it for warming or heating a room.

Due to the high heat of the cooktop burners, installing a microwave oven with a ventilation system over the cooktop is not recommended.

This appliance complies with one or more of the following standards:

- UL 858, Standard for the Safety of Household Electric Ranges
- UL 923, Standard for the Safety of Microwave Cooking Appliances
- UL 507, Standard for the Safety of Electric Fans
- ANSI Z21.1 American National Standard for Household Cooking Gas Appliances
- CAN/CSA-C22.2 No. 113-M1984 Fans and Ventilators
- CAN/CSA-C22.2 No. 61-M89 Household Cooking Ranges

It is the responsibility of the owner and the installer to determine if additional requirements and/or standards apply to specific installations.



CAUTION

To eliminate risk of burns or fire caused by reaching over heated surface units, cabinet storage located above the surface units should be avoided.

Remove all tape and packaging before using the appliance. Destroy the packaging after unpacking the appliance. Never allow children to play with packaging material.

Step 1: Ventilation Requirements

It is strongly recommended that a suitable exhaust hood be installed above the appliance. Downdraft ventilation should not be used. The following table indicates the ventilation hood options and blower capacity guidelines that are recommended for use with all Thermador cooktops.

Due to the high heat capability of this unit, particular attention should be paid to the hood and duct work installation to assure it meets local building codes.

Do not install a microwave oven/ ventilator combination above the cooktop, as these types of units do not provide the proper ventilation and are not suitable for use with the cooktop.

Select Hood and Blower Models:

- For wall installations the hood width must, at a minimum, equal the nominal width of the appliance cooking surface. Where space permits, a hood larger in width than the cooking surface may be desirable for improved ventilation performance.
- For island installations the hood width should, at a minimum, overhang the appliance cooking surface by 3" on each side.

Hood Placement:

- For best smoke elimination, the lower edge of the hood should be installed 30" above the appliance cooking surface. (See Figure 1).
- If the hood contains any combustible materials (i.e., a wood covering), it must be installed a minimum of 40" above the cooking surface.

NOTICE:

Most hoods contain combustible components which must be considered when planning the installation.

Consider Make-Up Air:

- Due to the high volume of ventilation air, a source of outside replacement air is recommended. This is particularly important for tightly sealed and insulated homes.
- A qualified heating and ventilating contractor should be consulted.

NOTE:

Ventilation hoods and blowers are designed for use with single-wall ducting. Some local building codes may require double-wall ducting. Before starting installation, consult local building codes and agencies to insure that the installation will meet local requirements.

Cooktop Width	Cooktop Configuration	Minimum Recommended Blower Capacity*	Ventilation Options
30"	4 burners	800 CFM	30" or 36" Pro Wall Hood 30" or 36" Custom Insert w/ optional blower 42" Island Hood w/ optional blower
36"	4 burners with griddle	1000 CFM	36" or 42" Pro Wall Hood 36" Custom Insert w/ optional blower 42" or 48" Island Hood w/ optional blower
	6 burners	1100 CFM	
48"	6 burners with griddle	1300 CFM	48" ^{**} or 54" Pro Wall Hood 48" Custom Insert w/ optional blower 54" Island Hood w/ optional blower

Important Notes:

- It is recommended that a Thermador Professional wall or island hood or custom insert is used with Thermador Professional Cooktops.
- Refer to www.thermador.com for a complete selection of Professional Ventilation options, Blowers, and Accessories.
- * For high output gas cooktops (60,000 BTU or greater), the minimum of one (1) CFM of ventilation per 100 BTU is recommended. If the cooktop has a griddle, add 200 CFM to the estimated blower capacity. Additional blower capacity may be required for longer duct runs.
- For island applications, it is recommended to use a hood width that exceeds the width of the cooktop by 6" (overlapping the cooktop by 3" on each end).
- ^{**}Not all 48" Pro Wall Hood models can accommodate a 1300 CFM blower option.
- CFM = "cubic feet per minute" (standard blower capacity rating).

Step 2: Cabinet Preparation

1. To ensure professional results, the cabinet and countertop openings should be prepared by a qualified cabinet worker.
2. The clearances shown in Figure 1 are required. The same clearances apply to island installations, except for the overhead cabinets, which must have a space wide enough to accept the island hood.
3. The cooktop is designed to hang from the countertop by its side flanges. The countertop however, must be strong enough to support this cooktop. It may be necessary to add a supporting cleat along each side (see Figure 2) or a 2 x 4 corner brace (see Figure 3 and Figure 4 and Detail A). Another alternative would be to construct a deck to set the cooktop on.
4. The cooktop can be installed in various positions with the front either flush or projecting, depending on the countertop's depth. (See Figure 5, side view of cooktop; see Figure 3, Figure 4, Figure 6 and Figure 7 for alternate mounting positions.)
5. The gas and electrical supply must be located in an area that is accessible without requiring removal of the cooktop. The appliance electrical power cord and gas pipe connection are located on the left rear underside of the cooktop, as shown in Figure 5 and Figure 9.
6. The maximum depth of overhead cabinets installed on either side of the hood is 13".
7. When there is less than a 12" horizontal clearance between combustible material Δ and the back edge of the cooktop above the cooking surface, a Thermador Low Backguard must be installed. (See Step 6). When clearance to combustible material Δ is over 12", a Thermador Island Trim may be used. Attach the backguard before sliding the appliance into the final installed position.
8. Establish the centerline of the cooktop's desired location. It should be the same as the center of the overhead ventilation hood.
9. Cut the openings for the following installations:
 - Wall installation, see Figure 3.
 - Island installation, see Figure 4.
10. For installation of a 48" cooktop above two side-by-side Thermador Warming Drawers, Model No. WD24, refer to Figure 8. Completing the installation as per Figure 8 will result in the left and right edges of the cooktop being aligned with the left edge of the left-side warming drawer and right edge of the right-side warming drawer. If different alignment is desired, the 1-7/8" horizontal distance between warming drawer cutouts may be varied. However, maintain at least a 1-1/8" distance to avoid interference between the warming drawers. Attach a 90-degree elbow to the gas cooktop inlet pipe. All above-the-countertop clearances must be maintained, as shown in Figure 1.

A 40-inch minimum clearance is required between the cooking surface of the cooktop and the bottom of an unprotected cabinet. A 30-inch distance can be used when the bottom of the wood or metal cabinet is protected by not less than 1/4 inch of a flame retardant material covered with not less than No. 28 MSG sheet steel, 0.015 inch (0.4 mm) thick stainless steel, 0.024 inch (0.6 mm) aluminum, or 0.020 inch (0.5 mm) thick copper. Flame retardant materials bear the mark:

UNDERWRITERS LABORATORIES INC. CLASSIFIED MINERAL AND FIBER BOARDS SURFACE BURNING CHARACTERISTICS

followed by the flame spread and smoke ratings. These designations are shown as "FHC (Flame Spread/Smoke Developed)." Materials with "O" flame spread ratings are flame retardant. Local codes may allow other flame spread ratings.

Δ As defined in the "National Fuel Gas Code" (ANSI Z223.1/NFPA54-current issue).

NOTES:

- If a solid side cabinet wall exists on one or both sides, you will need to notch the front corner of the cabinet to match the countertop notch and to allow clearance for the cooktop front (see Detail A, Figure 3 and Figure 4).
- If a supporting deck is used, the sides or bottom of the cutout may be solid combustible or non-combustible material. If the bottom is solid, provide a 8" by 8" cutout in the left rear corner of the supporting deck. This will provide clearance for the gas inlet and power cord, while also allowing viewing of the product rating label.
- Always keep appliance area clean and free from combustible materials, gasoline and other flammable vapors and liquids.
- Do not obstruct the flow of combustion and ventilation air to the unit.

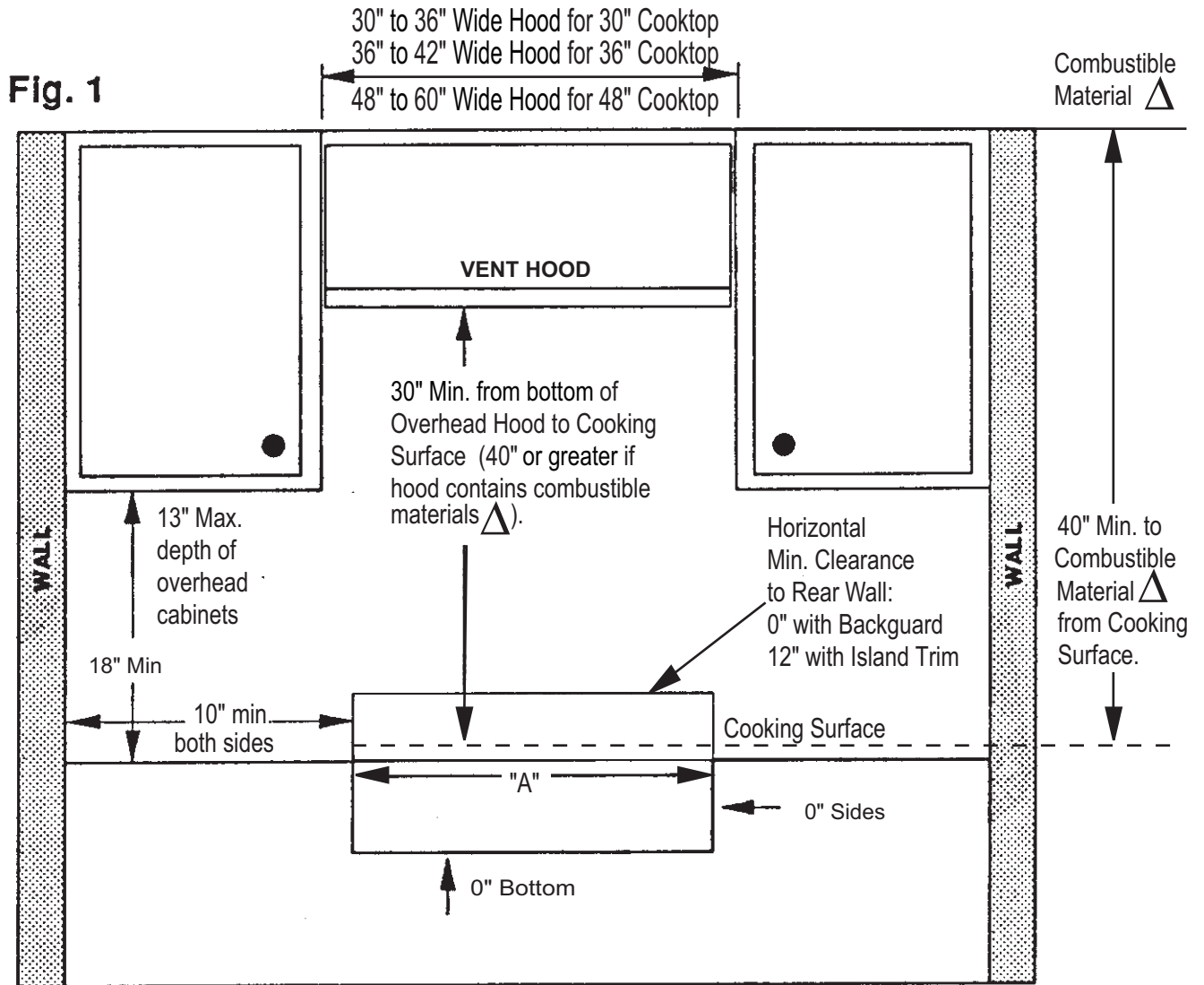


Figure 1: Clearance Requirements

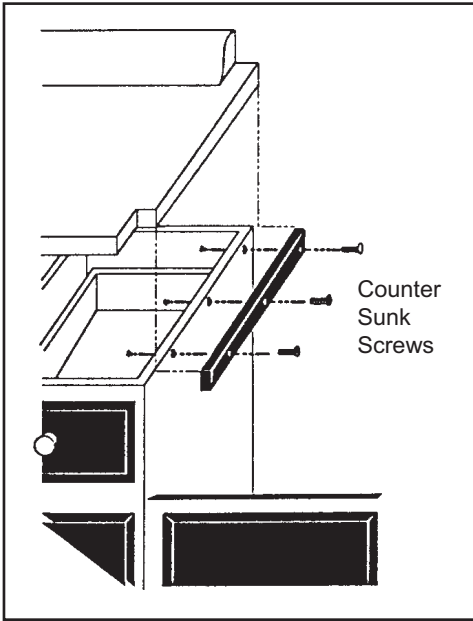


Figure 2: Installing Side Supports (both sides)

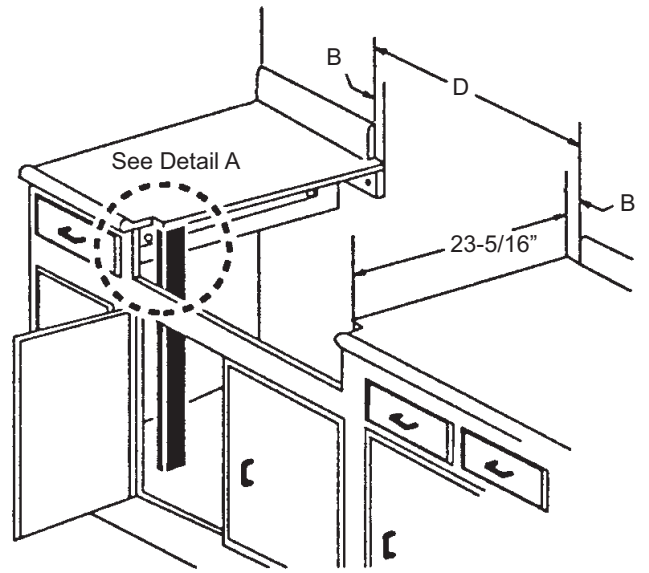


Figure 3: Wall Installation with Countertop Backsplash

Vent Hood Width Requirements
 Island – 42" or 48" Wide Hood for 36" Cooktop
 Island – 54" or 60" Wide Hood for 48" Cooktop

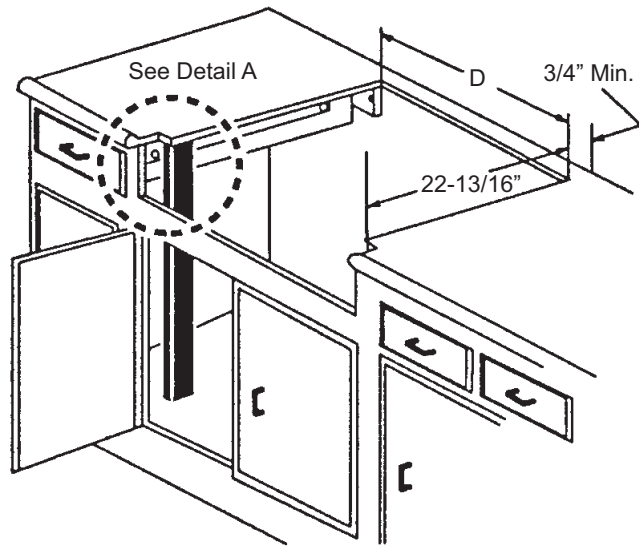
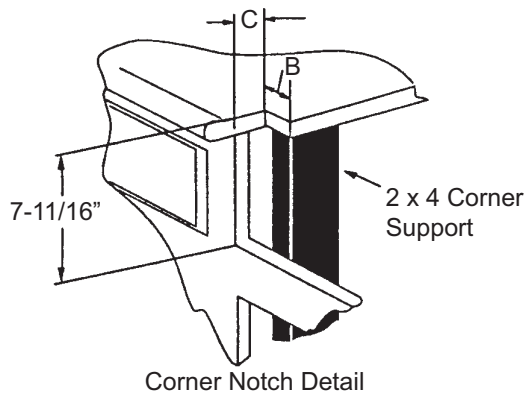
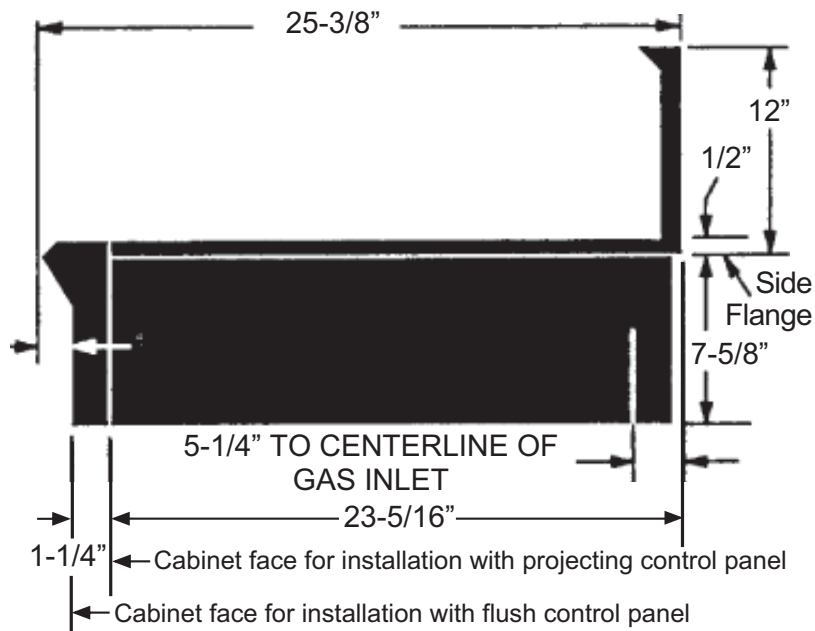


Figure 4: Island Installation (No Countertop Backsplash)



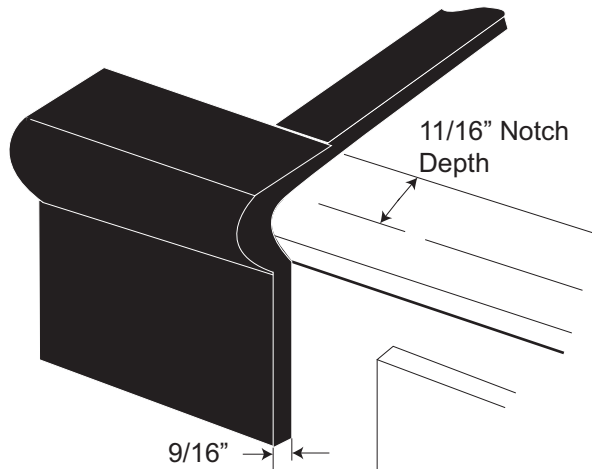
Detail A: (Front Face of Cabinet)

	30" Cooktop	36" Cooktop	48" Cooktop
A	29-7/8"	35-7/8"	47-7/8"
B	3/8"	3/8"	13/16"
C	0" (Control Panel Projecting 1-1/4" from Base Cabinet Face) 11/16" (Notch Required for Standard 24" - Deep Base Cabinet, Control Panel Projecting 9/16" from Base Cabinet Face) 1-1/4" (Control Panel Flush to Cabinet Face - Min. 24-9/16" - Deep Base Cabinet Required)		
D	29-1/8"	35-1/8"	46-1/4"



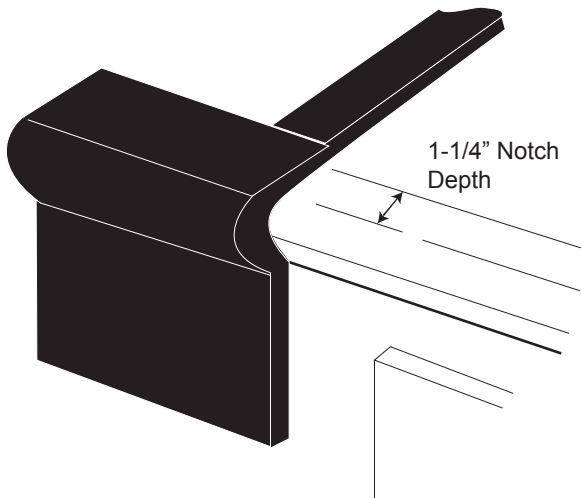
* Low Back required when there is less than 12" horizontal clearance from back of cooktop to combustible material. With more than 12" of clearance, the Island Trim may be used.

Figure 5: Side View of Cooktop



Front projects outward 9/16" as shown from standard 24"-deep base.

Figure 6: Projecting from Cabinet Front



Front flush with cabinets; minimum of 24-9/16" cabinet depth required.

Figure 7: Flush to Cabinet Front

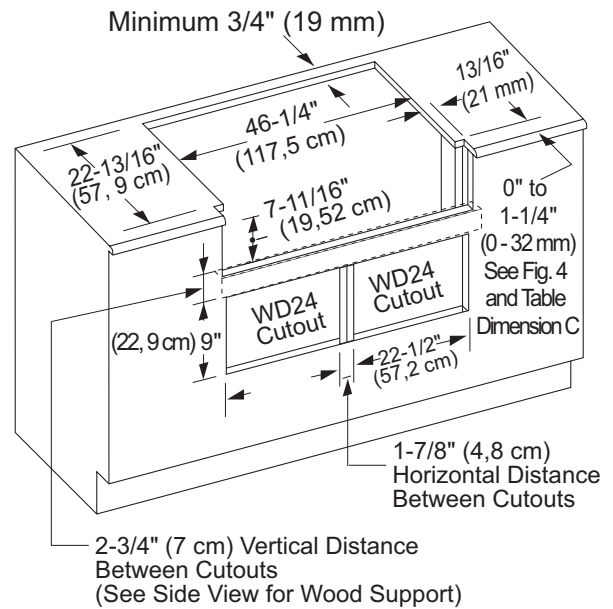


Figure 8a: Installation of 48" Cooktop above two side-by-side Thermador Warming Drawers - Model No. WD24

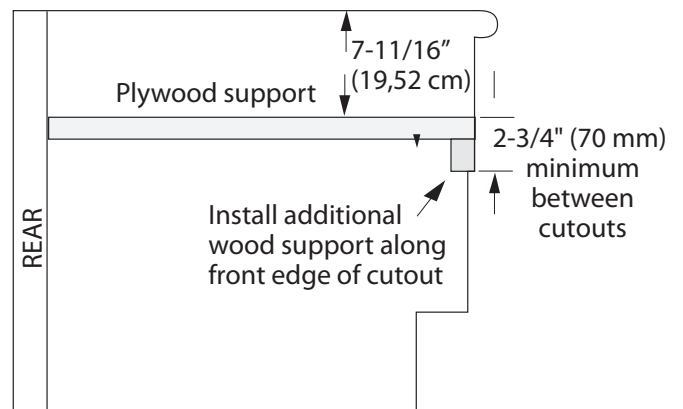


Figure 8b: Installation of 48" Cooktop above two side-by-side Thermador Warming Drawers - Model No. WD24 (Side View)

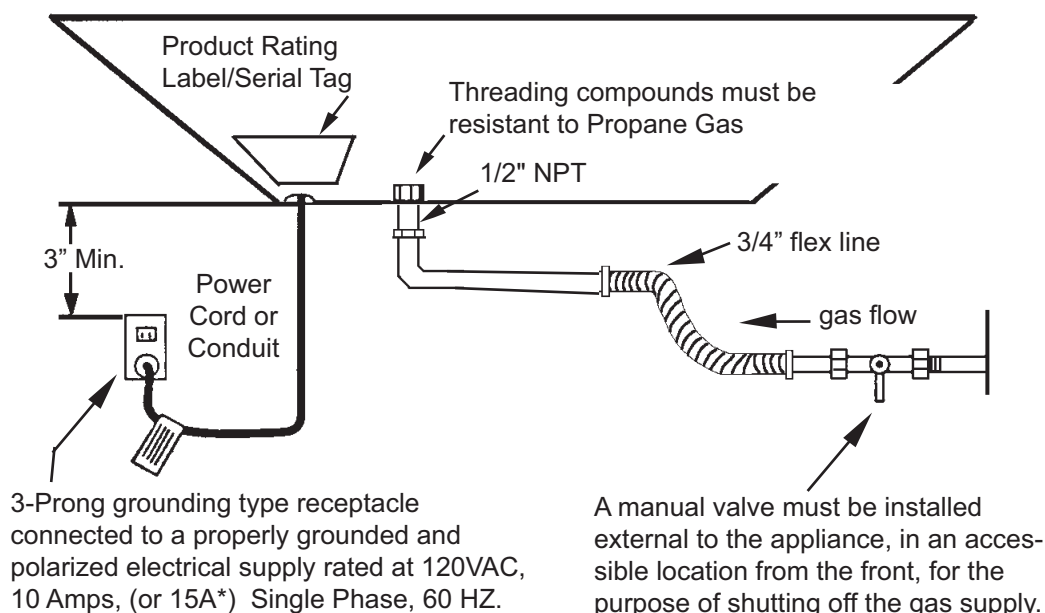


Figure 9: Bottom of Unit

All Installer supplied parts must conform to Local Codes.

*15 Amp 120 VAC electrical supply is required for 36" and 48" models with an electric griddle.

Step 3: Unpacking, Moving, Placing and Anchoring the Cooktop



CAUTION

Proper equipment and adequate manpower must be used in moving the appliance to avoid damage and/or personal injury. The unit is heavy and should be handled accordingly.

Important

- Verify that the appliance is correct for the type of gas being provided. Refer to Step 4 before proceeding with the installation.
- Attach the backguard before sliding the appliance into the final installed position. See Step 6.
- Remove the outer carton and packing material from the shipping base. Ensure that you have all cooktop components before proceeding.
- Remove the top grate castings and burner caps to reduce cooktop's weight.

NOTE:

Leave adhesive-backed foam layer over brushed-metal surfaces, to protect finish from scratches, until the cooktop is installed in its final position.

- Lift and place the cooktop in the opening. Be careful not to pinch the power cord or gas inlet. Care should be used not to scratch the griddle cooking plate.
- Make sure that the power cord is free and hanging loose.
- The cooktop must be level for proper performance.
- Replace the cooking grates and burner caps. Ensure that the burner caps are correctly seated on the burner bases.

Griddle Tilt Adjustment (not all models)

Check the griddle adjustment by pouring two tablespoons of water on the back of the griddle plate. The water should slowly roll into the grease tray. If not, adjust the two screws under the back of the plate. Start with one half turn counter-clockwise (CCW) of the screws. Further adjustment should be made by one-quarter turn until water slowly flows into the grease tray.

Step 4: Gas Requirements and Hookup

Cooktops are shipped by the factory to operate on natural gas. They must be converted for use with propane. Verify the type of gas being used at the installation site matches the type of gas used by the appliance. If the location/job site requires conversion from natural gas to propane (LP), contact the dealer where the unit was purchased or contact Thermador. The field conversion kit for the Professional Cooktops in this series is Thermador Model PALPKITHC. Obey all instructions in this kit for correct conversion of the gas regulator and settings for the gas valves. Field conversion must be done by qualified service personnel only.

Natural Gas Requirements:

Inlet Connection: 1/2" NPT (min. 3/4" dia. flex line)
Supply Pressure: 6" min. to 14" max. water column (14.9 to 34.9 mb)
Manifold Pressure: 5" water column (12.5 mb)

Propane Gas Requirements:

Inlet Connection: 1/2" NPT (min. 3/4" dia. flex line)
Supply Pressure: 11" min. to 14" max. water column (27.4 mb to 34.9 mb)
Manifold Pressure: 10" water column (24.9 mb)



WARNING

If a gas conversion kit is used, the kit shall be installed by a qualified service agency in accordance with the manufacturer's instructions and all applicable codes and requirements of the authority having jurisdiction. If the information in the instructions is not followed exactly, a fire, explosion or production of carbon monoxide may result causing property damage, personal injury or loss of life. The qualified service agency is responsible for the proper installation of the kit. The installation is not proper and complete until the operation of the converted appliance is checked as specified in the manufacturer's instructions supplied with the kit.

Hook Up

- A manual gas shut-off valve must be installed external to the appliance, in a location accessible from the front, for the purpose of shutting off the gas supply. The supply line must not interfere with the back of the unit. Make sure the gas supply is turned off at the manual shut-off valve before connecting the appliance.

- The installer should inform the consumer of the location of the gas shut-off valve. Make sure all users know where and how to shut off the gas supply to the cooktop.
- The gas supply connections shall be made by a competent technician and in accordance with local codes or ordinances. In the absence of local codes, the installation must conform to the National Fuel Gas Code ANSI Z223.1/NFPA54-current issue.
- Always use pipe-sealing compound or Teflon® tape on the pipe threads, and be careful not to apply excessive pressure when tightening the fittings.
- Leak testing of the appliance shall be in accordance with the following instructions.
 - Turn on gas and check supply line connections for leaks using a soap and water solution.
 - Bubbles forming indicate a gas leak. Repair all leaks immediately after finding them.



WARNING

Do not use a flame of any kind to check for gas leaks.

- All installer-supplied parts must conform to applicable codes.



CAUTION

When connecting unit to propane gas, make certain the propane gas tank is equipped with its own high pressure regulator in addition to the pressure regulator supplied with the appliance. The pressure of the gas supplied to the appliance regulator must not exceed a 14" water column (34.9 mb).



CAUTION

The appliance must be isolated from the gas supply piping system by closing its individual manual shut-off valve during any pressure testing of the gas supply piping system at test pressures equal to or less than 1/2 psig (3.5kPa).

The appliance and its individual shut off valve must be disconnected from the gas supply piping system during any pressure testing of the system at test pressures in excess of 1/2 psig (3.5kPa.).

When checking the manifold gas pressure, the inlet pressure to the regulator should be at least 6.0" W.C. for natural gas or 11.0" for propane.

Do not attempt any adjustment of the pressure regulator.

Step 5: Electrical Requirements, Connection and Grounding



CAUTION

Improper grounding or reverse polarization will cause malfunction (such as continuous sparking of the burner igniters). This can damage the appliance and can create a condition of shock hazard. If the circuit is not correctly grounded and polarized, it is the responsibility and obligation of the installer and user to have the existing receptacle changed to a properly grounded and polarized receptacle. This must be accomplished in accordance with all applicable local codes and ordinances by a qualified electrician. In the absence of local codes and ordinances, the receptacle replacement shall be in accordance with the National Electric Code. (See Figure 10.)

- Before installing, turn power OFF at the service panel. Lock service panel to prevent power from being turned ON accidentally.
- Always disconnect appliance from the electric supply either by disconnecting power cord or shutting off the breaker before servicing the appliance.
- Before you plug in an electrical cord, be sure all controls are in the OFF position.
- All 120 Volt cooktop models must be plugged into a mating 3-Prong, Grounding-Type Receptacle. The receptacle must be connected to a properly grounded and polarized electrical power supply rated at 120VAC, Single Phase, 60HZ. See “Electrical Power Supply Over-current Protection Requirements” on page 12 for proper over-current protection requirements for each model.
- Observe all governing codes and ordinances when grounding. In the absence of these codes or ordinances observe National Electrical Code ANSI/NFPA No. 70 current issue. See Figure 10 for recommended grounding method.
- An electrical wiring diagram and schematic have been attached to the bottom of the cooktop chassis for access by a qualified service technician. Do not remove or discard this important information.

Grounding Method

The cooktop is factory equipped with a power supply cord with a three-prong grounding plug (with polarized parallel blades).

IT MUST BE PLUGGED INTO A MATING, GROUNDING TYPE RECEPTACLE THAT IS CONNECTED TO A CORRECTLY POLARIZED 120 VOLT CIRCUIT (See Figure 10).

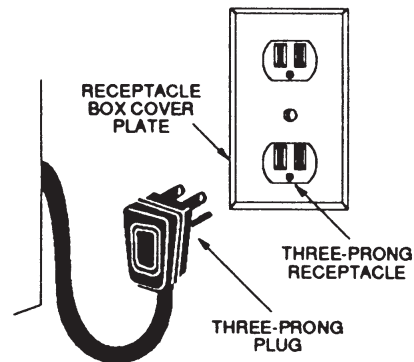


Figure 10: Recommended Grounding Method for 120V Models

THE THIRD, GROUND PRONG MUST NOT BE CUT OR REMOVED UNDER ANY CIRCUMSTANCES.

NOTE:

If the 120V cooktop is installed and connected as specified above, it will be completely grounded in compliance with the National Electric Code.

Electrical Power Supply Over-current Protection Requirements

4 Burners - 10 Amp circuit protection

6 Burners - 10 Amp circuit protection

4 Burners with electric griddle - 15 Amp circuit protection

6 Burners with electric griddle -15 Amp circuit protection

Installer - show the owner the location of the circuit breaker or fuse. Mark it for easy reference.

Step 6: Backguard Installation

A Low Back backguard must be installed when there is less than a 12" clearance between combustible materials and back edge of cooktop. (See Figure 1 and Figure 5.) For island installations and other installations with over 12" clearance, an optional stainless steel trim channel is available to cover the backguard mounting flanges. Attach the backguard before sliding the appliance into the final installed position. Follow Steps A through C below:

1. Slide backguard over the two flanges on the rear of the appliance. Fasten the front and back with the two screws (see A, Figure 11) provided.
2. Fasten the top of the backguard to the wall with two screws through the backguard. (See B, Figure 11.)
3. Place the backguard cap on top and fasten using the two counter-sink screws provided. (See C, Figure 11.)

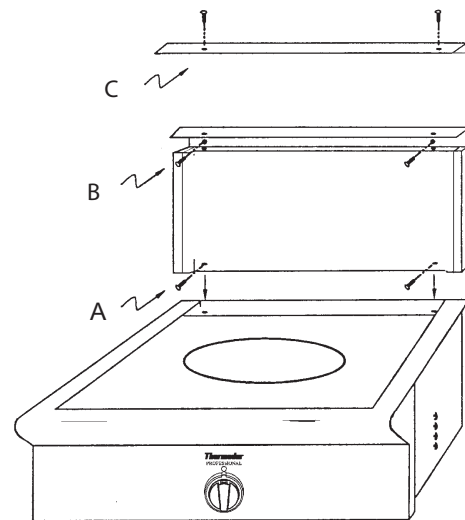


Figure 11: Low Back Attachment

Low Back and Island Trim Model Numbers

Cooktop Size/Type	12" Low Back	Island Trim*
30"	PA30GLBC	PA30GITC
36"	PA36GLBC	PA36GITC
48"	PA48GLBC	PA48GITC

*Requires a minimum of 12" horizontal clearance between back of appliance and combustible materials.

Step 7: Burner Test and Adjustment

Install any loose components, such as burner caps and grates that may have been removed earlier. Be certain that burner caps seat properly into the burner bases. Before testing operation of the appliance, verify that the unit and the gas supply have been carefully checked for leaks and that the unit has been connected to the electrical power supply. Turn the manual gas shut-off valve to the open position.

Test Cooktop Burners

Test Burner Ignition. Select a cooktop burner knob. Push in and turn counterclockwise to **HI**. The ignitor/spark module will produce a clicking sound. Once the air has been purged from the supply lines, the burner should light within four (4) seconds.

Test Flame: High Setting. Turn burner on to **HI**. See Figure 12 for appropriate flame characteristics. If any of the cooktop burners continue to burn mostly or completely yellow, verify that the burner cap is positioned properly on the burner base, then re-test. If flame characteristics do not improve, call Thermador.

Test Flame: Low Setting. Turn burner on to **LO**. Verify that the flame completely surrounds the burner. There should be a flame at each burner port and there should be no air gap between the flame and the burner. If any burners do not carry over, call Thermador.

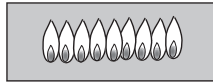
The two far left burners feature XLO, causing the flame to cycle on and off when the knob is set to the XLO range. This is normal operation.

Repeat the Ignition and Flame Test procedures described above for each cooktop burner.

Installer Checklist

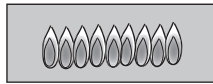
Yellow Flames:

Further adjustment is required.



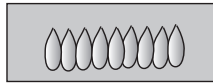
Yellow Tips on Outer Cones:

Normal for LP Gas.



Soft Blue Flames:

Normal for Natural Gas.



If the flame is completely or mostly yellow, verify that the regulator is set for the correct fuel. After adjustment, retest.

Some orange-colored streaking is normal during the initial start-up.

Allow unit to operate 4-5 minutes and re-evaluate before making adjustments.

Figure 12: Flame Characteristics

WHEN FLAME IS PROPERLY ADJUSTED:

- **There should be a flame at each burner port.**
- **There should be no air gap between the flame and burner port.**

Call Thermador if:

1. Any of the burners do not light.
2. Any of the burners continue to burn yellow.

Final Check List

- Cooktop correctly positioned in countertop recess.
- Specified clearances maintained to cabinet surfaces.
- Burner caps positioned properly on burner bases.
- All packaging material removed.
- Island Trim or Backguard attached according to instructions.
- The griddle plate tilted slightly forward. (See "Griddle Tilt Adjustment (not all models)" on page 10.)

Gas Supply

- Connection: 1/2" NPT with a minimum 3/4" diameter flex line.
- If converting from natural to LP gas, refer to LP Conversion Instructions for details.
- Manual gas shut off valve installed in an accessible location (without requiring removal of appliance).
- **Unit tested and free of gas leaks.**

Electrical

- For models with the electric griddle, a polarized and grounded 120VAC receptacle with 15 AMP over current protection is provided for service cord connection.

Operation

- All internal packing materials removed. (Check below grates and grill pans.)
- Bezels centered on burner knobs, and knobs turn freely.
- Purge air from gas system by operating one of the top burners for several minutes.
- Each burner lights satisfactorily, both individually and with other burners operating.
- Burner grates are correctly positioned.

Installer

- Give CARE and USE MANUAL and INSTALLATION INSTRUCTIONS to your customer.

To Clean and Protect Exterior Surfaces

The stainless steel surfaces may be cleaned by wiping with a damp soapy cloth. Any mild glass cleaner will remove fingerprints and smears.

Follow all cleaning by rinsing with clear water. Wipe dry with a clean soft cloth to avoid water marks. For discolorations or deposits that persist, use a non-scratching household cleanser or stainless steel polishing powder with a little water and a soft cloth. For stubborn cases, use a plastic scouring pad or soft bristle brush together with cleanser and water. Rub lightly in direction of polishing lines or "grain" of the stainless finish. Avoid using too much pressure which may mar the surface.

Use a stainless steel cleaner/polish to protect the finish and maintain appearance.

DO NOT allow deposits to remain for long periods of time.

DO NOT use ordinary steel wool or steel brushes. Small bits of steel may adhere to the surface causing rust.

DO NOT allow salt solutions, disinfectants, bleaches or cleaning compounds to remain in contact with stainless steel for extended periods. Many of these compounds contain chemicals which could prove harmful. Rinse with water after exposure and wipe dry with a clean cloth.

Table des matières

Instructions de sécurité	2
Avant de commencer	2
Information importante à propos de l'installation ..	3
Chapitre 1 : Exigences de ventilation	3
Chapitre 2 : Préparation de l'emplacement	6
Chapitre 3 : Déballage, manutention et mise en place et fixation de la table de cuisson	11
Chapitre 4 : Exigences pour l'alimentation du gaz et raccordement	12
Chapitre 5 : Exigences pour l'alimentation électrique, le branchement et la mise à la terre . .	13
Chapitre 6 : Installation de la plaque de protection	14
Chapitre 7 : Test et réglage de brûler	14
Liste de vérification pour l'installateur	15
Nettoyage et protection des surfaces extérieures .	16

Cet appareil électroménager de Thermador est fait par
BSH Home Appliances Corporation
5551 McFadden Ave.
Huntington Beach, CA 92649

Questions ?

1-800-735-4328

www.thermador.com

Nous attendons de vos nouvelles !

Pour les installations au Massachusetts :

1. L'installation doit être réalisée par un entrepreneur qualifié ou agréé, un plombier ou un installateur de gaz qualifié ou autorisé par l'État ou la région dans laquelle cet appareil est installé.
2. Le robinet d'arrêt de gaz doit être pourvu d'une poignée en « T ».
3. La longueur maximum autorisée du tuyau de gaz est de 91,4 centimètres (36").



AVERTISSEMENT

L'information fournie dans le présent manuel doit être très rigoureusement respectée, sous peine d'incendie ou d'explosion entraînant des dommages, des blessures ou la mort.

- Ne stockez pas et n'utilisez pas d'essence ou autres ou la compagnie distributrice de gaz.
- **SI VOUS SENTEZ UNE ODEUR DE GAZ :**
 - N'allumez aucun appareil.
 - Ne touchez pas aux interrupteurs électriques.
 - N'utilisez pas les téléphones du bâtiment.
 - Appelez immédiatement votre compagnie de gaz de chez un voisin. Suivez les instructions de la compagnie.
 - Si vous n'arrivez pas à contacter la compagnie de gaz, appelez les pompiers.
- L'installation et les réparations doivent être réalisées par un installateur qualifié, un centre de réparation agréé ou la compagnie de gaz.

Instructions de sécurité



Instructions importants de sécurité

LIRE TOUTES LES INSTRUCTIONS AVANT DE PROCÉDER

APPROUVÉ POUR TOUT APPAREIL RÉSIDENTIEL

POUR UTILISATION RÉSIDENTIELLE SEULEMENT

Avant de commencer

IMPORTANT : conserver ces instructions pour utilisation par l'inspecteur en électricité local.

INSTALLATEUR : laisser ces instructions avec l'appareil pour le propriétaire

PROPRIÉTAIRE : conserver ces instructions à des fins de références.



AVERTISSEMENT

L'information fournie dans le présent manuel doit être très rigoureusement respectée, sous peine d'incendie ou d'explosion entraînant des dommages, des blessures ou la mort.

Une installation, un réglage, une modification, une réparation ou un entretien adéquat peuvent entraîner des blessures ou des dégâts matériels. Consultez le présent manuel. Pour de l'information supplémentaire ou de l'assistance, consultez un installateur qualifié, un centre de réparation, le fabricant (revendeur) ou la compagnie distributrice de gaz.

Remarque :

Cette table de cuisson N'EST PAS conçue pour les maisons mobiles ni pour les véhicules récréatifs.

NE PAS installer ce table de cuisson dehors.

Fiche signalétique

Modèles de tables de cuisson :

La plaque de caractéristiques indique le modèle et le numéro de série de votre table de cuisson. Elle est placée sur le dessous du châssis de la table de cuisson, près du raccord d'arrivée de gaz et du cordon d'alimentation électrique. Cette information est requise par le Service à la clientèle. Avant que l'installation, le modèle et les numéros de série devrait être entré dans les espaces à la rubrique AVANT D'EFFECTUER UN APPEL DE SERVICE à la fin

du guide d'utilisation et d'entretien. Lorsque l'appareil est installé, il est difficile d'accéder à l'information.

Veuillez lire toutes les instructions avant de poursuivre.

IMPORTANT : LES RÉGLEMENTATIONS LOCALES VARIENT. L'INSTALLATION, LES BRANCHEMENTS ÉLECTRIQUES, LES RACCORDEMENTS AU GAZ ET LA MISE À LA TERRE DOIVENT SATISFAIRE À TOUTES LES RÉGLEMENTATIONS APPLICABLES.

Alimentation électrique :

Modèle 76,2 cm (30 po)

Brûleurs 4 : 120 VCA, 60 Hz, monophasé, circuit de 10 A

ModèleS de 91,4 cm (36 po)

Brûleurs 6 : 120 VCA, 60 Hz, monophasé, circuit de 10 A

Brûleurs 4 avec grille électrique : 120 VAC, 60 Hz, monophasé, circuit de 15 A

Modèle de 1,22 m (48 po)

Brûleurs 6 avec grille électrique : 120 VCA, 60 Hz, monophasé, circuit de 15 A

Alimentation en gaz :

Gaz naturel : 14,9 mb (6 po) min. à 34,9 mb (14 po) max. à la colonne d'eau.

Gaz propane : 27,4 mb (11 po) min. à 34,9 (14 po) max. à la colonne d'eau).



AVERTISSEMENT

Coupez l'électricité avant d'installer l'appareil. Avant de remettre (**ON**) l'électricité, assurez-vous que toutes les commandes sont à la position **OFF**.

Tous les brûleurs scellés sont cotés à 18 000 Btu/h (*15 000Btu/h pour LP). *Tous les modèles sont convertibles au gaz propane/LP à l'aide du nécessaire de conversion.

IMPORTANT

- Une plaque de protection doit être mise en place lorsque le dégagement horizontal entre les matériaux combustibles et le bord arrière de la table de cuisson est de moins de 30,5 cm (12"). La plaque de protection basse Thermador est à commander séparément et doit

être installée à l'arrière de la table de cuisson. Pour les installations en flot avec un dégagement de plus de 30,5 cm (12"), un que l'installation des conduites rpond aux exigences locales.

- Assurez-vous que l'appareil correspond au type de gaz utilisé sur le lieu d'installation. Reportez-vous au "Chapitre 4 : Exigences pour l'alimentation du gaz et raccordement" on page 12 avant de poursuivre l'installation.

Information importante à propos de l'installation

Il est **fortement recommandé** d'installer une hotte de ventilation adaptée au-dessus de cet appareil (voir "Chapitre 1 : Exigences de ventilation").

Vériez la réglementation locale applicable à la construction pour connaître la méthode approprié d'installation de l'appareil. À défaut de réglementation, l'appareil doit être installé conformément aux versions actuelles du Code national du gaz combustible no Z223.1 et du Code national de l'électricité ANSI/NFPA70 ou aux Codes d'installation pour les appareils à gaz CAN 1-B149.1 et .2 et au Code électrique canadien C22.1, première partie.

Cet appareil est équipé d'un système d'allumage intermittent qui allume et éteint les deux brûleurs de gauche lorsqu'ils sont réglés sur ExtraLow.



MISE EN GARDE

(1) Si l'appareil est alimenté au gaz propane, assurez-vous que le réservoir de propane est équipé de son propre détendeur en plus du détendeur fourni avec l'appareil. La pression maximum d'arrivée du gaz dans cet appareil ne doit pas dépasser les 34,9 millibars (14 pouces à la colonne d'eau) à partir du détendeur du réservoir de propane.

(2) Cet appareil est conçu pour un usage culinaire. Pour des raisons de sécurité, ne l'utilisez jamais pour chauffer une pièce.

À cause de la chaleur intense produite par cet appareil, il faut porter une attention particulière à l'installation de la hotte et des conduits an de s'assurer qu'ils répondent aux codes de construction locaux.

Cet appareil est conforme avec une ou plusieurs des normes suivantes :

- UL 858, norme pour la sécurité des cuisinières électriques domestiques
- UL 923, norme pour la sécurité des appareils de cuisson à micro-ondes

- UL 507, norme pour les ventilateurs électriques
- ANSI Z21.1, norme nationale américaine pour les appareils de cuisson à gaz domestiques
- CAN/CSA-C22.2 n°113-M1984 ventilateurs et hottes
- CAN/CSA-C22.2 n° 61-M89 cuisinières domestiques

Il incombe au propriétaire et à l'installateur de déterminer si des exigences et/ou normes additionnelles s'appliquent pour une installation spécifique.



MISE EN GARDE

Afin d'éliminer les risques de brûlures ou d'incendie provoqués par la chaleur, il est conseillé d'éviter d'installer des armoires au-dessus des appareils.

Enlever tout le matériel d'emballage et le ruban adhésif avant d'utiliser l'appareil. Détruire le matériel d'emballage une fois l'appareil déballé. Ne jamais laisser les enfants jouer avec ce matériel d'emballage.

Chapitre 1 : Exigences de ventilation

Il est **fortement recommandé** d'installer une hotte de ventilation appropriée au-dessus del'appareil. Une ventilation par contre-tirage ne devrait pas être utilisée. Le tableau suivant comprend des recommandations concernant la capacité du ventilateur et les options de ventilation de la hotte pour toutes les surfaces de cuisson Thermador.

À cause de la chaleur intense produite par cet appareil, il faut porter une attention particulière à l'installation de la hotte et des conduits afin de s'assurer qu'ils répondent aux codes de construction locaux.

Ne pas installer un combiné hotte/ four à micro-ondes au-dessus des surfaces de cuisson. Ces appareils n'assurent pas une ventilation appropriée et ne conviennent pas aux surfaces de cuisson.

Choix du modèle de hotte et de ventilateur

- Pour les installations murales, la largeur de la hotte doit être au moins égale à celle de la table de cuisson de l'appareil. Si l'espace le permet, il est souhaitable d'installer une hotte plus large que la table de cuisson pour améliorer les performances de ventilation.
- Pour les installations en îlot, la largeur de la hotte devrait dépasser d'au moins 7,62 cm (3 po) des deux côtés de la table de cuisson de l'appareil.

Emplacement de la hotte

- Pour une meilleure élimination des fumées, le bord inférieur de la hotte doit être placé à une distance de 91,4 cm (30 po) au-dessus de la table de cuisson. (Voir Figure 1).
- Si la hotte contient des matériaux combustibles (ex. : recouvrement en bois), elle doit être installée à un minimum de 40 po ou plus au-dessus de la table de cuisson.

AVIS :

La plupart des hottes contiennent des composantes combustibles qui doivent être prises en considération lors de la planification de l'installation.

Apport d'air

- Un important volume d'air étant nécessaire pour la ventilation, il est recommandé de prévoir un apport d'air de l'extérieur. Cet aspect revêt une importance particulière dans les logements bien isolés et très étanches.
- Il est conseillé de consulter un entrepreneur en chauffage et en climatisation.

Remarque :

Les hottes de ventilation et les ventilateurs sont conçus pour une seule conduite murale. Certaines réglementations locales du secteur du bâtiment exigent toutefois une double conduite. Consultez les normes applicables et les autorités municipales avant de commencer les travaux afin de vous assurer que l'installation des conduites répond aux exigences locales.

Largeur de la surface de cuisson	Configuration de la surface de cuisson	Minimum recommandé Capacité du ventilateur*	Options de ventilation
30"	4 brûleurs	800 pi ³ /min	Hotte murale Pro de 30" ou 36" Hotte à encastrement sur mesure de 30" ou 36" avec ventilateur optionnel Hotte d'îlot de 42" avec ventilateur optionnel
36"	4 brûleurs avec plaque chauffante	1000 pi ³ /min	Hotte murale Pro de 36" ou 42" Hotte à encastrement sur mesure de 36" avec ventilateur optionnel
	6 brûleurs	1100 pi ³ /min	Hotte d'îlot de 42" ou 48" avec ventilateur optionnel
48"	6 brûleurs avec plaque chauffante	1300 pi ³ /min	Hotte murale Pro de 48" ^{**} ou 54" Hotte à encastrement sur mesure de 48" avec ventilateur optionnel Hotte d'îlot de 54" avec ventilateur optionnel

Notes importantes :

- Nous recommandons l'utilisation d'une hotte murale ou d'une hotte d'îlot Thermador Professional avec les surfaces de cuisson Thermador
- Consultez le www.Thermador.com pour une sélection complète des options de ventilation, des ventilateurs et des accessoires.
- * Pour les surfaces de cuisson au gaz à haut rendement (60 000 BTU ou plus), une ventilation minimale d'un (1) pi³/min par 100 BTU est recommandée. Si la surface de cuisson est munie d'une plaque chauffante, ajoutez 200 pi³/min à la capacité de ventilation estimée. Une plus grande capacité de ventilation pourrait s'avérer nécessaire pour de plus longs conduits d'aération.
- Pour les hottes d'îlot, il est recommandé d'utiliser une largeur de hotte qui excède la largeur de la surface de cuisson de 6" (chevauchement de 3" de chaque côté de la surface de cuisson).
- **Ce ne sont pas tous les modèles de hottes PRO 48 po qui peuvent accommoder l'option de soufflerie 1 300 pi³/min.
- pi³/min = pied cube par minute (capacité standard de ventilation).

Chapitre 2 : Préparation de l'emplacement

1. Pour garantir des résultats professionnels, les ouvertures dans l'armoire et dans l'espace de travail doivent être effectuées par du personnel qualifié.
2. Les dégagements requis sont indiqués à la Figure 1. Les mêmes dégagements s'appliquent aux installations en îlot, excepté pour les armoires suspendues qui doivent laisser un espace suffisamment grand pour y loger la hotte de l'îlot.
3. La table de cuisson est conçue pour être accrochée au plan de travail par ses brides latérales. Le plan de travail doit toutefois être suffisamment solide pour porter ce appareil. Il sera éventuellement nécessaire d'ajouter un tasseau de chaque côté (voir Figure 2) ou 2x4 montants d'angle (voir Figure 3 et Figure 4 et la vue Éclatée A). L'autre possibilité est de construire un plan de support pour y installer la table de cuisson.
4. La table de cuisson peut être installée sur plusieurs positions, avec la partie frontale au même niveau que le plan de travail ou en projection avant, selon la profondeur de ce plan (voir Figure 5, vue latérale de la table de cuisson; voir Figure 3, Figure 4, Figure 6 et Figure 7 pour les autres positions de montage).
5. Les arrivées d'électricité et de gaz doivent se trouver dans une zone accessible sans avoir à enlever la table de cuisson. Le cordon d'alimentation électrique et le raccord du tuyau de gaz de l'appareil sont placés dans la partie arrière gauche sous la table de cuisson, tel qu'indiqué aux Figure 5 et Figure 9.
6. La profondeur maximum des armoires suspendues de chaque côté de la hotte est de 33 cm (13 po).

Un dégagement minimal de 101,6 cm (40 po) est nécessaire entre le dessus de la table de cuisson et le dessous d'une armoire non protégée. Une distance de 30 po doit être assurée lorsque le bas des armoires en bois ou en métal est protégé par un matériau ignifuge d'une épaisseur d'au moins 6,35 mm (1/4 po) recouvert d'une feuille d'acier n°28 MSG de la même épaisseur, de 0,4 mm (0,015 po) d'acier inoxydable, de 0,6 mm (0,024 po) d'aluminium ou de 0,5 mm (0,02 po) de cuivre. Les matériaux ignifuges portent la marque :

UNDERWRITERS LABORATORIES INC. CLASSIFIED MINERAL AND FIBER BOARDS SURFACE BURNING CHARACTERISTICS,

(panneaux de bres et minéraux classés, caractéristiques d'inflammation des surfaces), suivie des taux de progression des flammes et des fumées. Ces désignations sont indiquées par « FHC » (Flame Spread/Smoke Developed – Progression des flammes/Production de fumée). Les matériaux ayant un taux « O » de progression de flammes sont ignifuges. Les réglementations locales peuvent autoriser d'autres taux de progression des flammes.

7. Si la distance entre un matériau combustible Δ et le bord arrière de la table de cuisson au-dessus de la

surface de travail est de moins de 30,5 cm (12"), on doit obligatoirement installer une plaque de protection basse Thermador (voir Chapitre 6). Si la distance du matériau combustible Δ est de plus de 30,5 cm (12 po), on peut utiliser un enjoliveur Thermador pour îlot. Installez la plaque de protection avant de glisser l'appareil dans sa position d'installation définitive.

8. Dénaissez la ligne centrale de l'emplacement destiné à la table de cuisson. Elle doit correspondre au centre de la hotte de ventilation suspendue.
9. Découpez les ouvertures pour les installations suivantes :
 - Installation murale, voir Figure 3.
 - Installation en îlot, voir Figure 4.
10. Pour l'installation de la table de cuisson de 1,22 m (48 po) sur les deux tiroirs chauffe-plats côte à côte de Thermador (modèle WD24), reportez-vous à la Figure 8. Si vous réalisez l'installation conformément à la Figure 8, le bord gauche de la table de cuisson sera aligné avec le bord gauche du tiroir chauffe-plats gauche et le bord droit de la table de cuisson sera aligné avec le bord droit du tiroir chauffe-plats droit. Pour obtenir un alignement différent, vous pouvez modifier la distance horizontale de 4,76 cm (1-7/8 po) entre les découpes des tiroirs chauffe-plats. Vous devez toutefois conserver une distance d'au moins 2,85 cm (1-1/8 po) pour éviter les interférences entre les tiroirs chauffe-plats. Montez un coude de 90° sur le tuyau d'arrivée de gaz de la table de cuisson. Tous les autres dégagements au-dessus du plan de travail doivent être maintenus comme indiqués à la Figure 1.

Δ Tel que défini dans le « Code national du gaz combustible » (Version actuelle des normes ANSI Z223.1/ NFPA 54).

Remarques :

- Si vous avez d'un ou des deux côtés des parois latérales pleines d'armoires, vous devrez encocher le coin avant de l'armoire pour l'adapter à l'encoche du plan de travail et laisser l'espace à la partie frontale de la table de cuisson (voir vue Éclatée A, Figure 3 et Figure 4).
- Si vous construisez un plan de support, les côtés ou le bas de la découpe peuvent être en matériau plein combustible ou non combustible. Si le bas est plein, prévoyez une découpe de 20,32 x 20,32 cm (8 po x 8 po) dans le coin arrière gauche de ce plan. Vous aurez ainsi l'espace nécessaire à l'arrivée de gaz et au cordon d'alimentation, et cela vous permettra de voir la plaque de caractéristiques du produit.
- L'appareil ne doit jamais se trouver à proximité de matériaux combustibles, d'essence et d'autres produits inflammables (vapeurs ou liquides).
- L'air de combustion et de ventilation arrivant à l'appareil doit pouvoir circuler librement.

Fig. 1

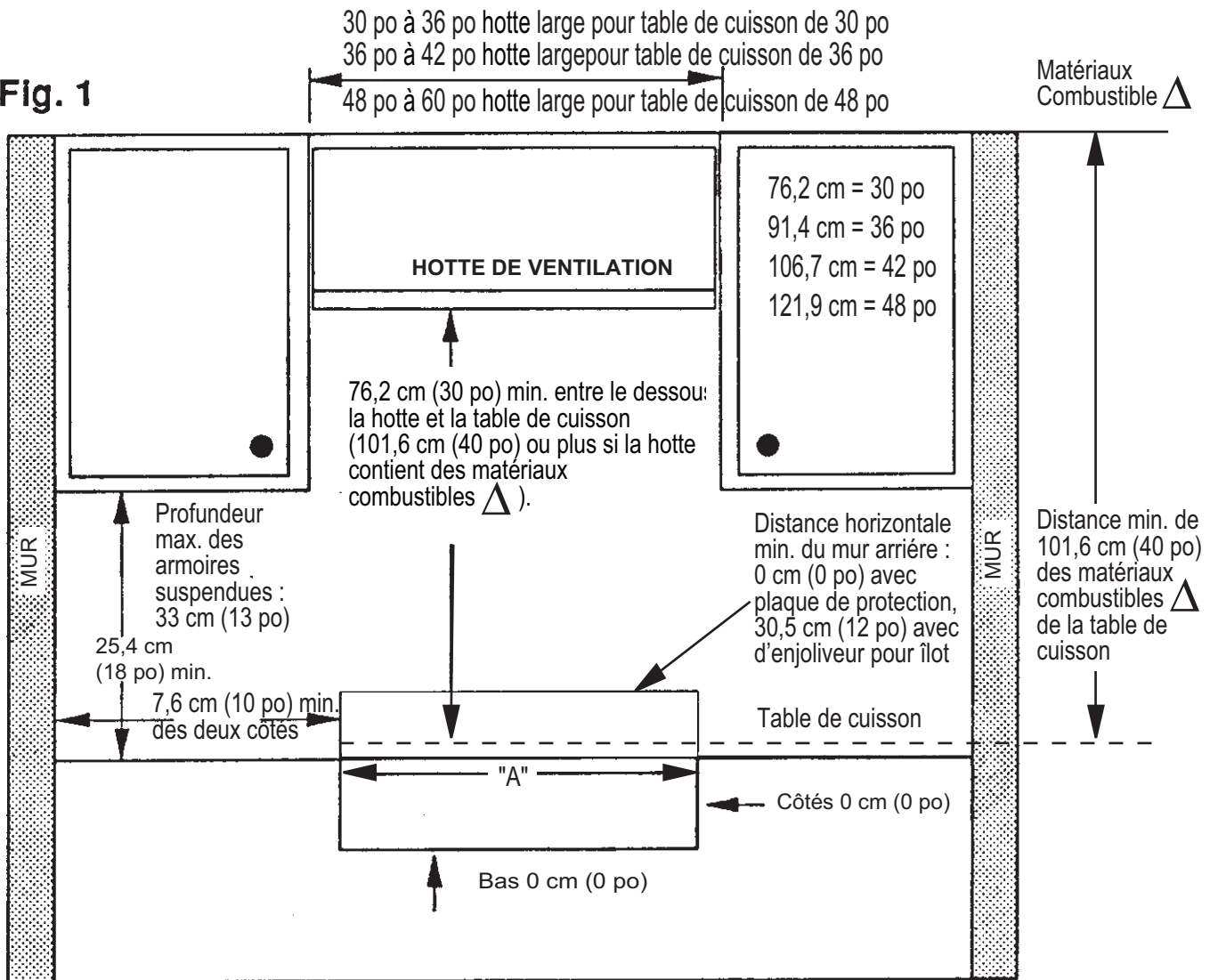


Figure 1 : Dégagements

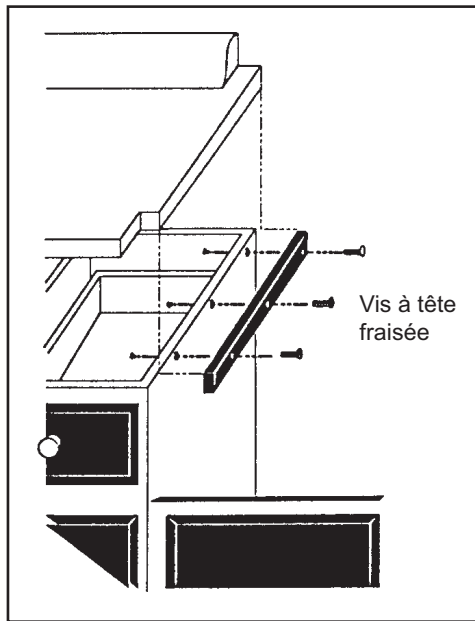


Figure 2 : Installation de supports latéraux (des deux côtés)

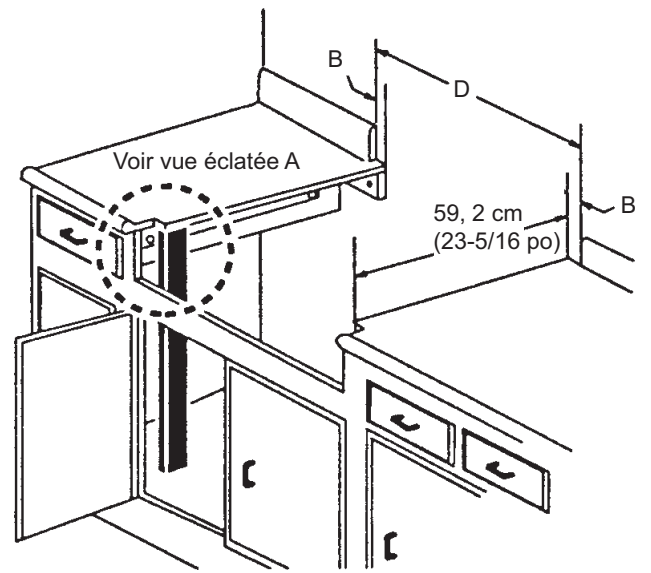


Figure 3 : Installation murale avec rebord de plan de travail

Hotte de ventilation
 Exigences de largeur
 Îlot – hotte large de 42" ou 48" pour
 36" table de cuisson
 Îlot – hotte large de 54" ou 60"
 pour 48" table de cuisson

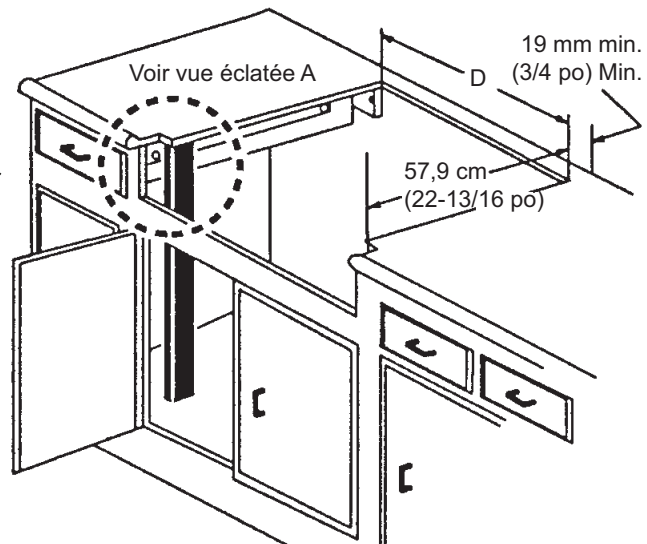
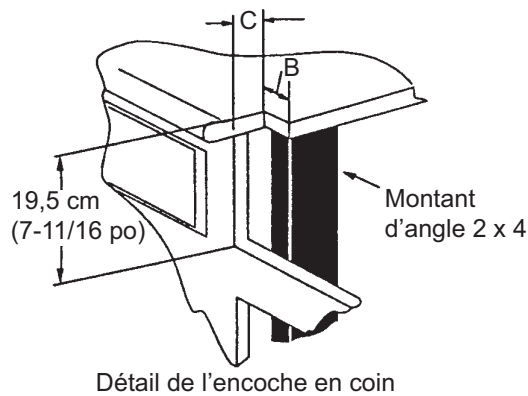
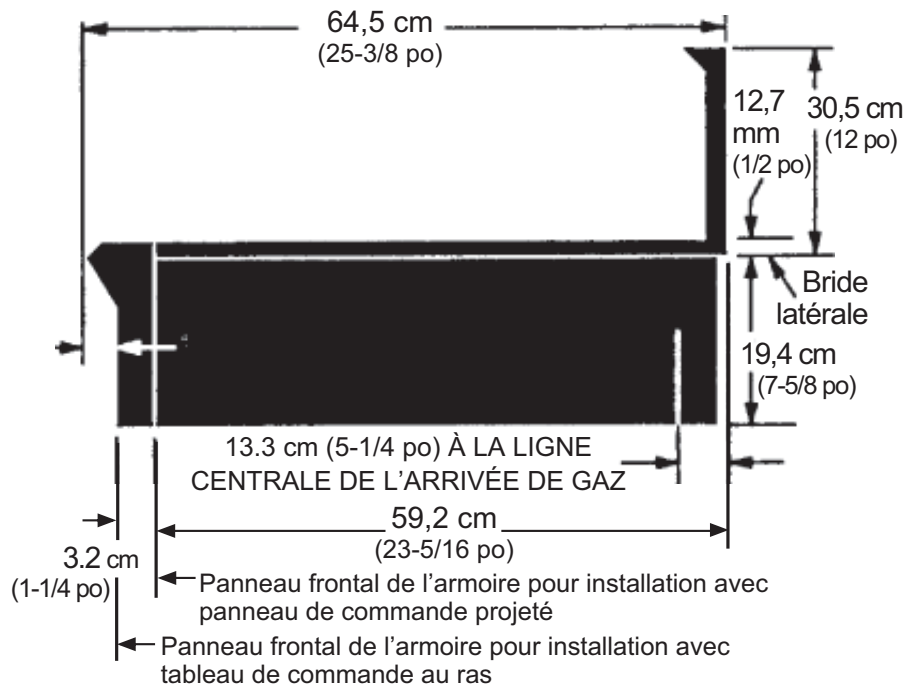


Figure 4 : Installation en îlot (sans rebord de plan de travail)



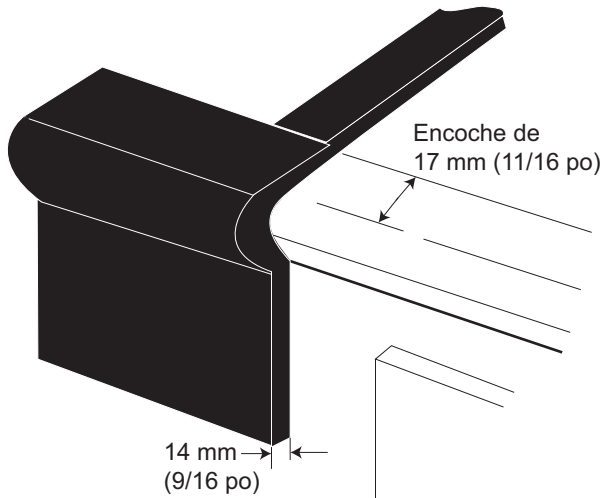
Éclatée A : Vue éclatée A (Face frontale de l'armoire)

	Cuisson 30 po	Cuisson 36 po	Cuisson 48 po
A	29-7/8 po	35-7/8 po	47-7/8 po
B	3/8 po	3/8 po	13/16 po
C	0 mm (0 po) (Panneau de commande projeté de 3,2 cm (1-1/4" po) devant le panneau frontal de l'armoire de support), 17 mm (11/16 po) (Encoche nécessaire pour armoire de support standard de 61 cm (24 po) de profondeur. Panneau de commande projeté de 1,4 cm (9/16 po) devant le panneau frontal de l'armoire de support) 3,2 cm (1-1/4 po) (Panneau de commande au ras du panneau frontal de l'armoire – armoire de support d'une profondeur min. de 62,4 cm [24-9/16 po] requise)		
D	29-1/8 po	35-1/8 po	46-1/4 po



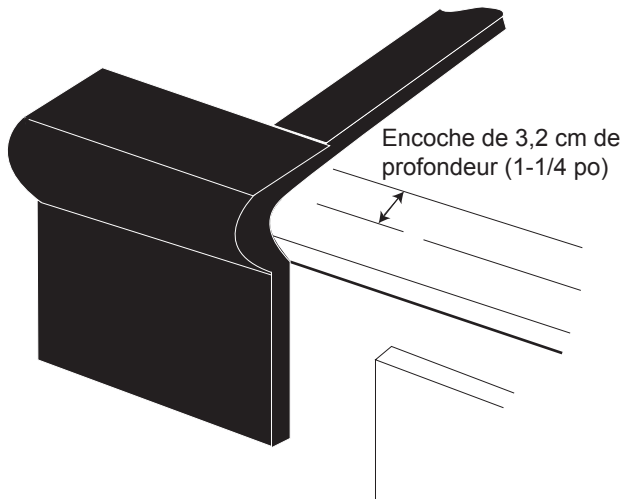
* Une plaque de protection basse est nécessaire si la distance horizontale entre l'arrière de la table de cuisson et les matériaux combustibles est inférieure à 30,5 cm (12"). Avec plus de 30,5 cm (12"), il est possible d'utiliser l'enjoliveur pour îlot.

Figure 5 : Vue latérale de la table de cuisson



Sur la figure, l'avant est projeté de 14 mm (9/16 po) vers l'extérieur avec un support standard de 60,9 cm (24 po) de profondeur.

Figure 6 : Projection devant l'armoire



Avant au ras des armoires : profondeur d'armoire de 62,4 cm (24-9/16 po) minimum.

Figure 7 : Au ras du panneau frontal de l'armoire

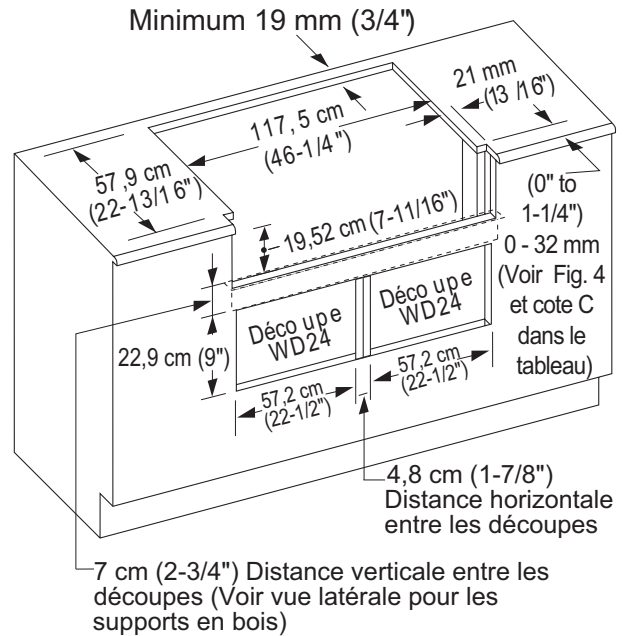


Figure 8a : Installation d'une table de cuisson de 121,9 cm (48po) sur deux tiroirs chauffe-plats côte à côte, modèle WD24

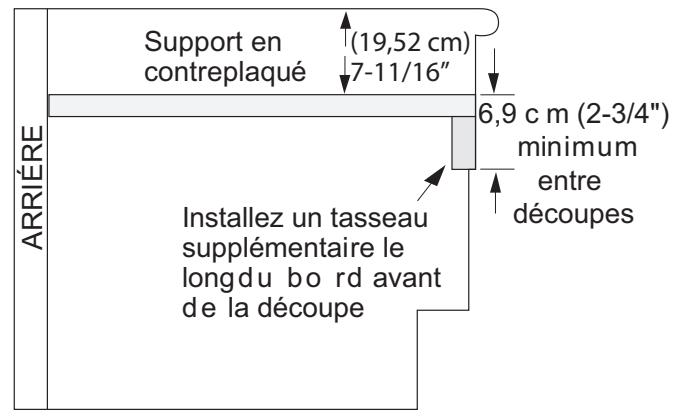


Figure 8b : Installation d'une table de cuisson de 121,9 cm (48po) sur deux tiroirs chauffe-plats côte à côte, modèle WD24 (Vue latérale)

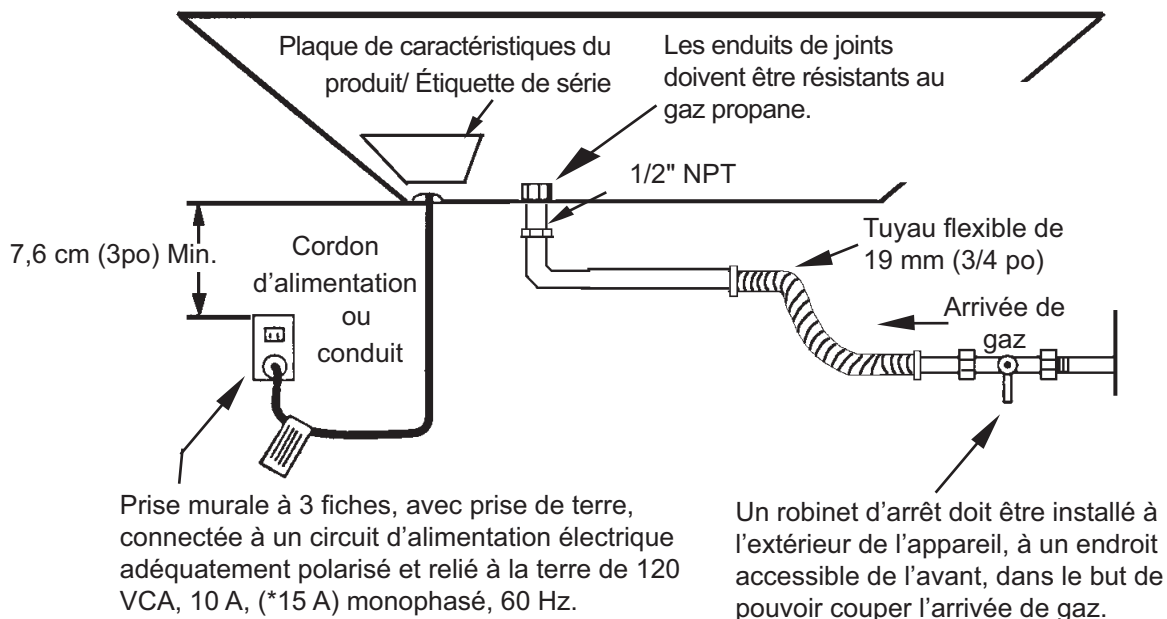


Figure 9 : Partie inférieure de l'appareil

Toutes les pièces fournies par l'installateur doivent satisfaire aux réglementations locales.

*Alimentation électrique 15A, 120VAC pour les modèles 36 et 48 po avec grille électrique.

Chapitre 3 : Déballage, manutention et mise en place et fixation de la table de cuisson



MISE EN GARDE

Un équipement adapté manipulé par du personnel expérimenté doit être utilisé pour déplacer l'appareil afin de ne pas l'endommager et d'éviter les blessures. L'appareil est lourd et doit faire l'objet d'une manutention adéquate.

Important

- Assurez-vous que l'appareil sur correspond au type de gaz utilisé sur le lieu d'installation. Reportez-vous au Chapitre 4 avant de poursuivre l'installation.
- Posez la plaque de protection avant de glisser l'appareil sur sa position finale. Voir Chapitre 6.
- Retirez l'emballage externe et les matériaux d'emballage de la palette d'expédition. Assurez vous d'avoir tous les articles qui composent la tableau de cuisson avant de poursuivre.

- Retirez les grilles en fonte, les chapeaux et des brûleurs pour réduire le poids de l'appareil.

Remarque :

Laisser la mousse à côté adhésif sur les surfaces en métalbrossé an de protéger le ni des égratignures jusqu'à ce que la surface de cuisson soit en position finale.

- Soulevez la table de cuisson et placez-la dans l'ouverture. Prenez garde à ne pas pincer le cordon d'alimentation ni l'arrivée de gaz. Faites attention de ne pas égratigner la plaque chauffante.
- Assurez-vous que le cordon d'alimentation peut bouger librement et qu'il n'est pas tendu.
- Pour un rendement adéquat, la surface de cuisson doit être de niveau. .
- Remplacez les grilles et les cuvettes des brûleurs. Assurez-vous que les chapeaux des brûleurs sont correctement posés dans leurs bases.

Ajustement de l'inclinaison de la plaque de cuisson

Assurez-vous que la plaque de cuisson est bien ajusté en versant deux cuillerées à soupe d'eau à l'arrière de la plaque chauffante. L'eau devrait lentement couler dans le

bac à graisse. Puis, ajustez les deux vis situées à l'arrière, sous la plaque. Commencez par un demi-tour dans le sens contraire des aiguilles d'une montre. Les corrections subséquentes doivent être faites au quart de tour jusqu'à ce que l'eau coulelement dans le bac à graisse.

Chapitre 4 : Exigences pour l'alimentation du gaz et raccordement

Les tables de cuisson sont préparées à l'usine avant expédition pour être alimentées par du gaz naturel. Doivent être convertis pour utilisation avec propane (surface de cuisson). Assurez-vous que le type de gaz utilisé sur le lieu d'installation correspond au type de gaz utilisé par l'appareil. Si le lieu nécessite une conversion du gaz naturel au propane (LP), communiquer avec le marchand où l'appareil a été acheté ou avec Thermador. La trousse de conversion des surfaces de cuisson Professional de cette série est le modèle Thermador PALPKITHC. Suivez toutes les instructions du this kit pour convertir correctement le détendeur de gaz et effectuer le réglage des robinets de gaz. La conversion sur site doit obligatoirement être réalisée par du personnel qualifié.

Cet appareil est certifié ACNOR à des fins de fonctionnement sécuritaire jusqu'à une élévation de 10 200 pi sans modification. Exception : pour l'utilisation avec le gaz propane, l'appareil doit être converti selon les instructions de conversion au LP. Consulter les instructions de conversion LP pour plus de détails.

Exigences pour le gaz naturel

Connexion d'entrée : 1/2 po NPT (min. 3/4 po de diamètre, conduit souple)

Pression d'alimentation : 6 po min. à 14 po max, colonne d'eau (14,9 à 34,9 mb)

Pression du distributeur : 5 po, colonne d'eau (12,5 mb)

Exigence pour le gaz propane

Connexion d'entrée : 1/2 po NPT (min. 3/4 po de diamètre, conduit souple)

Pression d'alimentation : 11 po min. à 14 po max, colonne d'eau (27,4 à 34,9 mb)

Pression du distributeur : 10 po, colonne d'eau (24,9 mb)



AVERTISSEMENT

Si une trousse de conversion au gaz est utilisée, doit être installée par un technicien qualifié conformément aux instructions du fabricant et selon les exigences et codes applicables ayant juridiction. Si l'information contenue dans ces instructions n'est pas suivie, il peut en résulter un risque d'incendie, d'explosion ou de production de monoxyde de carbone, causant des dommages à la propriété, des blessures ou la mort. L'agence de service qualifié est responsable de l'installation appropriée de ce nécessaire. L'installation n'est pas adéquate ni complétée tant que le fonctionnement de l'appareil converti n'est pas vérifié tel qu'il est spécifié dans les instructions du fabricant et fournies avec le nécessaire.

Raccordement

- Un robinet manuel d'arrêt de gaz doit être installé à l'extérieur de l'appareil, à un endroit accessible par le devant, dans le but de pouvoir couper l'alimentation en gaz. Le tuyau d'arrivée de gaz ne doit pas gêner à l'arrière de l'appareil. Assurez-vous que le robinet d'arrêt est fermé avant de raccorder l'appareil.
- L'installateur doit informer le consommateur de l'emplacement de la soupape d'arrêt de gaz. S'assurer que tous les utilisateurs sachent comment fermer l'alimentation en gaz à la surface de cuisson.
- Les connexions d'alimentation en gaz doivent être effectuées par un technicien qualifié et conformément à la réglementation locale. À défaut de réglementation locale, l'installation devra être conforme au Code national du gaz combustible ANSI Z223.1/NFPA54 – version actuelle.
- Toujours utiliser un scellant à tuyau ou du ruban Teflon® sur les joints de tuyaux et prenez garde à ne pas serrer excessivement les raccords.
- Les tests de fuite de l'appareil seront réalisés conformément aux instructions du fabricant.
 - Ouvrez le gaz et assurez-vous qu'il n'y a pas de fuites à l'aide d'une solution savonneuse.
 - Des bulles indiquent la présence d'une fuite. Réparer toute fuite immédiatement après les avoir repérées.



AVERTISSEMENT

N'utilisez pas de flamme pour faire cette vérification.

- Toutes les pièces fournies par l'installateur doivent être conformes aux codes applicables.



MISE EN GARDE

Si l'appareil est alimenté par du gaz propane, assurez-vous que le réservoir de propane est équipé de son propre détendeur en sus du détendeur fourni avec l'appareil. La pression d'arrivée du gaz dans le détendeur de l'appareil ne doit pas dépasser les 34,9 millibars (14 pouces à la colonne d'eau).



MISE EN GARDE

L'appareil doit être isolé du système d'arrivée de gaz en fermant le robinet manuel d'arrêt pendant tous les tests de pression d'alimentation en gaz lorsque ces pressions sont égales ou inférieures à 3,5 kPa (1/2 psig).

L'appareil et son robinet individuel d'arrêt doivent être débranchés du système d'arrivée de gaz pendant tous les tests de pression du système si ces pressions dépassent 3,5 kPa (1/2 psig).

Pour la vérification de la pression de gaz du collecteur, la pression d'entrée du détendeur doit être de 14,9 mb (6 po) au minimum pour le gaz naturel et de 7,4 mb (11 po) pour le propane.

Ne tentez pas de régler le détendeur.

ou en fermant le disjoncteur avant d'effectuer le service de l'appareil.

- Avant de débrancher le cordon électrique, s'assurer que tous les contrôles sont en position ARRÊT (OFF).
- Tous les modèles de surface de cuisson de 120 volts doivent être branchés sur une prise à 3 trous mise à la terre. Cette prise sera reliée à un circuit d'alimentation électrique correctement mis à la terre et polarisé, de 120 VCA, 10 A, monophasé, 60 Hz. Voir le courant maximum de l'appareil à "Connexions électriques" on page 13.
- Respectez toutes les réglementations locale s applicables lors de la mise à la terre. À défaut, le Code national de l'électricité ANSI/ NFPA no 70 – Édition actuelle sera appliqué. Reportez-vous à la Figure 10 pour la méthode conseillée de mise à la terre.
- Les schémas de câblage électrique des tinés au technicien qualié sont attachés au bas du châssis de la table de cuisson. N'enlevez pas et ne jetez pas cette importante information.

Méthode de mise à la terre

La table de cuisson vous est fournie avec un cordon d'alimentation électrique pourvu d'une prise avec mise à la terre à trois ches (à lames parallèles polarisées).

L'APPAREIL DOIT ÊTRE BRANCHÉ SUR UNE SUR UNE PRISE À 3 TROUS MISE À LA TERRE RACCORDÉE À UN CIRCUIT POLARISÉ DE 120 VOLTS. (Voir Figure 10).

Chapitre 5 : Exigences pour l'alimentation électrique, le branchement et la mise à la terre



MISE EN GARDE

Une mise à la terre inadéquate ou une polarisation inversée peut causer un mauvais fonctionnement (tels qu'une production continue d'étincelle au niveau des allumeurs des brûleurs) pouvant endommager l'appareil et comporter un risque de décharge électrique. Si le circuit n'est pas correctement mis à la terre et polarisé, l'installateur ou l'utilisateur est tenu de faire appel à un électricien qualié pour qu'il installe une prise dûment mise à la terre et polarisée, conforme à toutes les réglementations locales applicables. À défaut de réglementation locale, le changement de prise doit être effectué conformément au Code national de l'électricité (Voir Figure 10).

- Avant l'installation, mettre l'alimentation HORS CIRCUIT au panneau de service, le verrouiller pour empêcher la mise en circuit accidentelle.
- Toujours débrancher l'appareil de l'alimentation électrique soit en débranchant le cordon d'alimentation

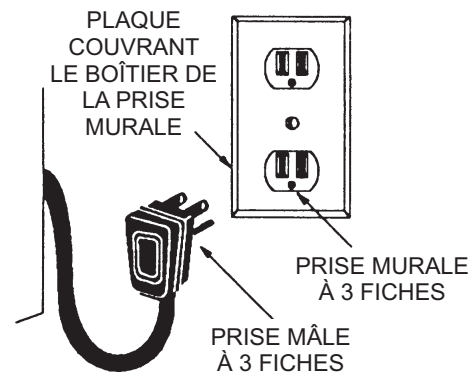


Figure 10 : Méthode recommandée de mise à la terre pour modèles 120 VAC.

PRISE NE DOIT EN AUCUN CAS ÊTRE COUPÉE NI SUPPRIMÉE.

Connexions électriques

1. Attacher le conduit flexible sur la boîte de jonction.

2. Brancher les fils de la surface de cuisson sur les fils d'alimentation de la boîte de jonction dans l'ordre approprié.

Exigences pour l'alimentation électrique pour la protection de sur intensité:

- Brûleurs 4 : protection de circuit 10 A.
- Brûleurs 6 : protection de circuit de 10 A.
- Brûleurs 4 avec grille électrique : protection de circuit de 15 A.
- Brûleurs 6 avec grille électrique : protection de circuit de 15 A.

Installateur – indiquer au propriétaire l'emplacement du coupe-circuit ou du fusible. Le noter à des ns de références.

Chapitre 6 : Installation de la plaque de protection

Il est obligatoire d'installer une plaque de protection basse si la distance entre les matériaux combustibles et le bord arrière de la table de cuisson est inférieur à 30,5 cm (12 po) (voir Figure 1 et Figure 5). Pour les installations en îlot ou autres où cette distance est supérieure à 30,5 cm (12 po), un enjoliveur en acier inoxydable, optionnel, est disponible : il recouvre les brides de montage de la plaque de protection. Posez la plaque de protection avant de glisser l'appareil à son emplacement définitif. Procédez tel qu'indiqué aux points A à C ci-dessous :

1. Glissez la plaque de protection sur les deux brides à l'arrière de l'appareil. Fixez l'avant et l'arrière à l'aide des deux vis A à la Figure 11) qui vous sont fournies.
2. Fixez le haut de la plaque de protection au mur avec les deux vis qui traversent la plaque (voir B à la Figure 11).
3. Posez le rebord de la plaque de protection sur le dessus puis vissez les deux vis à tête fraisée fournies (voir C à la Figure 11)

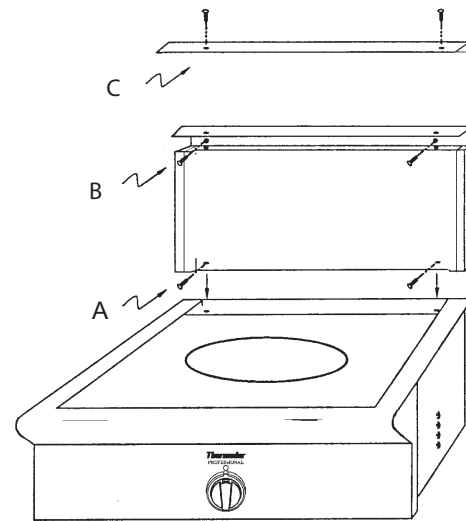


Figure 11 : Pose de la plaque de protection basse

Numéros des modèles de plaque de protection basse et d'enjoliveur pour îlot

Format/type de plaque de cuisson	Dosseret 12 po (30,5cm)	Enjoliveur pour îlot *
30 po	PA30GLBC	PA30GITC
36 po	PA36GLBC	PA36GITC
48 po	PA48GLBC	PA48GITC

*Distance minimale de 30,5 cm (12 po) entre l'arrière de l'appareil et les matériaux combustibles requise.

Chapitre 7 : Test et réglage de brûler

Installer tout composant lâche, tels capuchons et grilles de brûleurs, ayant été retirés précédemment. S'assurer que les capuchons de brûleurs sont adéquatement placés sur les bases des brûleurs. Avant de vérifier le fonctionnement de l'appareil, vérifier qu'il n'y a aucune fuite à l'appareil et à la soupape de gaz; que l'appareil est branché sur

l'alimentation électrique. Ouvrir la soupape d'arrêt de gaz manuelle.

Vérifier les brûleurs de surface de cuisson

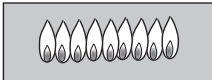
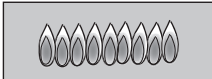
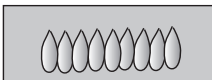
Vérifier l'allumage de brûleur. Choisir un bouton de surface de cuisson. Pousser et tourner dans le sens contre horaire à HI. Le module allumeur/ étincelle produit un clic. Une fois l'air purgé de la canalisation d'alimentation, le brûleur devrait s'allumer dans un délai de 4 secondes.

Vérifier la flamme. Réglage haute. Tourner le bouton à **HI**. Voir Figure 12 pour les caractéristiques de flamme appropriées. Si un des brûleurs de surface de cuisson continue de presque brûler ou est complètement jaune, vérifier si le capuchon est positionné adéquatement sur la base du brûleur, puis essayer de nouveau. Si les caractéristiques de flamme ne s'améliorent pas, communiquer avec Thermador.

Vérifier la flamme. Réglage bas. Tourner le bouton à **LO**. Vérifier si la flamme enveloppe complètement le brûleur. Il doit y avoir une flamme à chaque port du brûleur et il ne doit pas y avoir d'intervalle d'air entre la flamme et le brûleur. Si les brûleurs ne sont pas enveloppés, communiquer avec Thermador.

Les 2 brûleurs de surface de cuisson du côté gauche sont dotés de la fonction XLO, faisant effectuer un cycle marche-arrêt à la flamme lorsque le bouton est réglé à XLO. Ceci est normal.

Répéter l'allumage et la vérification de flamme décrits ci-dessus pour chaque brûleur de surface de cuisson.

Flamme jaune : Réglage nécessaire.	
Pointe jaune sur cône extérieur: Normal pour gaz LP.	
Flamme bleue : Normal pour gaz naturel.	

Si la flamme est complètement ou presque jaune, s'assurer que le régulateur est réglé pour le combustible approprié. Après le réglage, vérifier de nouveau.

Des rayures de couleur orangée sont normales pendant la mise en marche initiale.

Laisser l'appareil fonctionner de 4 à 5 minutes et évaluer de nouveau avant d'effectuer les réglages.

Figure 12 : Caractéristiques de flamme

Lorsque la flamme est adéquatement réglée :

- Il doit y avoir une flamme à chaque port du brûleur.
- Il ne doit pas y avoir d'intervalle d'air entre la flamme et le port du brûleur.

Communiquer avec Thermador si :

1. Tout brûleurs ne s'allume pas.

2. Si tout brûleurs continue de brûler jaune.

Liste de vérification pour l'installateur

Liste finale de vérification

- La table de cuisson bien positionnée sur son emplacement.
- Les distances indiquées entre l'appareil et les armoires adjacentes sont respectées.
- Les chapeaux des brûleurs sont bien placés sur les bases.
- Tout matériel d'emballage retiré.
- La garniture d'îlot ou le dosseret installé selon les instructions.
- La plaque de grille sont correctement positionnée et nivelée (Voir "Ajustement de l'inclinaison de la plaque de cuisson" on page 11 pour connaître la procédure d'ajustement.)

Alimentation en gaz

- Raccord : un filetage NPT de 12,7 mm (1/2 po) avec tuyau flexible d'un diamètre minimum de 19,1 mm (3/4 po) est en place.
- Si conversion du gaz naturel et gaz LP, consulter les instructions de conversion LP pour plus de détails.
- Le robinet manuel d'arrêt de gaz est installé à un endroit accessible (sans avoir à bouger l'appareil).
- **L'appareil a été testé et dépourvu de fuites de gaz.**

Électricité

- Pour les modèles avec grille électrique, une prise 120VAC mise à la terre et polarisé avec protection de surcharge 15 amp est fournie pour la connexion avec cordon.

Fonctionnement

- Tous les matériaux d'emballage ont été enlevés à l'intérieur. (Vérifiez sous les grilles et les lèchefrites.)
- Les cadrans des boutons sont bien centrés et les boutons tournent librement.
- Épurez l'air du système au gaz en faisant fonctionner un des brûleurs pendant plusieurs minutes.
- Chaque brûleur s'allume correctement, seul ou avec d'autres brûleurs allumés.
- Les grilles des brûleurs doivent être correctement positionnées.

Installateur

- Laisser les GUIDES D'UTILISATION et D'ENTRETIEN et D'INSTALLATION avec le propriétaire.

Nettoyage et protection des surfaces extérieures

Les surfaces en acier inoxydable se nettoient en passant un chiffon mouillé à l'eau savonneuse.

Retirez les traces de doigts et les barioles à l'aide d'un produit à vitres doux. Tout nettoyage doit être suivi d'un rinçage à l'eau claire. Séchez avec un chiffon propre et doux pour éviter les traces d'eau. Pour les décolorations ou les dépôts persistants, utilisez un produit d'entretien ménager ne rayant pas ou une poudre à polir pour acier inoxydable avec un peu d'eau et un chiffon doux. Pour les cas récalcitrants, utilisez un tampon à récurer en plastique ou une brosse à poils doux avec un produit d'entretien et de l'eau. Frottez légèrement dans le sens des lignes de polissage ou du « grain » de la finition en acier inoxydable. Évitez de frotter trop vigoureusement pour ne pas rayer la surface.

Utilisez un produit nettoyant ou un poli pour acier inoxydable afin de protéger la finition et d'en conserver l'aspect.

NE LAISSEZ PAS les taches s'incruster.

N'UTILISEZ PAS de tampons ni de brosses métalliques. De petits morceaux de métal risquent d'adhérer à la surface et de la faire rouiller.

NE LAISSEZ PAS les solutions salines, les désinfectants, l'eau de javel ou les produits de nettoyage en contact avec l'acier inoxydable. Ces produits contiennent en général des produits chimiques susceptibles de l'endommager. Rincez-les à l'eau et séchez avec un chiffon sec.

Contenidos

Instrucciones de seguridad	2
Antes de comenzar	2
Información importante para la instalación	3
Paso 1: Requerimientos para la ventilación	3
Paso 2: Preparación de los gabinetes	6
Paso 3: Desempacar, mover, posicionar y jar la parrilla	11
Paso 4: Requerimientos de gas y conexiones	12
Paso 5: Requerimientos eléctricos, conexión y puesta a tierra	13
Paso 6: Instalación de la consola trasera de protección	14
Paso 7: Probar y Ajustar el Quemador	14
Lista de chequeo de instalador	15
Para limpiar y proteger las superficies exteriores ..	16

Este electrodomestico de Thermador es hecho por
BSH Home Appliances Corporation
5551 McFadden Ave.
Huntington Beach, CA 92649

¿Preguntas?

1-800-735-4328

www.thermador.com

¡Esparamos oir de usted!

Para Instalaciones en Massachusetts:

1. La instalación debe ser realizada por un contratista, plomero o técnico de gas calificado autorizado, quien está calificado o autorizado por el estado, la provincia o región donde se está instalando este aparato.
2. La válvula de cierre debe ser un grifo de gas en T.
3. El conector flexible de gas no debe medir más de 36 pulgadas.



ADVERTENCIA

La falta de observar la información en este manual puede causar un fuego o una explosión, y como resultado daños a la propiedad, lesiones o la muerte.

— No guarde o use materiales combustibles, gasolina u otros vapores y líquidos inflamables cerca de este o cualquier otro aparato.

— QUÉ HACER CUANDO HUELE A GAS

- No trate de encender ningún aparato.
- No toque ningún interruptor eléctrico.
- No use ningún teléfono en su edificio.
- Llame de inmediato a su proveedor de gas desde el teléfono de algún vecino.
Siga las instrucciones de su proveedor de gas.
- Cuando no pueda localizar a su proveedor de gas, llame a los bomberos.
- Un instalador calificado, una agencia de servicio autorizada o el proveedor de gas debe realizar la instalación y el servicio.

Instrucciones de seguridad



Instrucciones importantes de seguridad

GUARDE Y LEA LAS INSTRUCCIONES

APROBADO PARA TODAS LAS UNIDADES RESIDENCIALES

ÚNICAMENTE PARA USO RESIDENCIAL

Antes de comenzar

IMPORTANTE: Guarde estas instrucciones para el uso del Inspector Local de Electricidad.

INSTALADOR: Por favor deje estas instrucciones con esta unidad para el propietario.

PROPIETARIO: Por favor retenga estas instrucciones para referencia futura.



ADVERTENCIA

La instalación, ajuste, alteración, servicio o mantenimiento incorrecto puede causar lesiones o dañar la propiedad. Consulte este manual. Para ayuda o información adicional consulte a un instalador calificado, agencia de servicios, al fabricante (distribuidor) o al proveedor de gas.

Nota:

Esta estufa **NO** está diseñada para la instalación en casas rodantes o en remolques que se usan en parques recreativos.

NO instale este aparato en el exterior.

Placa con información del producto

Modelos de Parrillas:

La placa con información del aparato mostrando el modelo y número de serie de su parrilla se encuentra debajo del bastidor de la parrilla cerca de la conexión de entrada de gas y del cable de alimentación eléctrica. Se requiere esta información si el cliente solicita servicio. Antes de la instalación, el modelo y los números de serie deben ser escritos en los espacios apropiados en la sección "ANTES DE LLAMAR PARA SERVICIO" cerca de la parte trasera del Manual de Uso y Cuidado. Una vez instalada, es difícil acceder a la información.

POR FAVOR LEA TODAS LAS INSTRUCCIONES ANTES DE CONTINUAR

IMPORTANTE: LOS CÓDIGOS LOCALES VARÍAN. LA INSTALACIÓN, LAS CONEXIONES ELÉCTRICAS Y DE GAS Y LA PUESTA A TIERRA DEBEN CUMPLIR LOS CÓDIGOS APLICABLES.

Alimentación eléctrica:

Modelo de 30":

4 Quemadores - 120 VAC, 60 Hz., monofásico, 10 Amps

Modelos de 36":

6 Quemadores - 120 VAC, 60 Hz., monofásico, 10 Amps
4 Quemadores con plancha eléctrica - 120 VAC, 60 Hz., monofásico, 15 Amps

Modelo de 48":

6 Quemadores con plancha eléctrica - 120 VAC, 60 Hz., monofásico, 15 Amps

Suministro de gas:

Gas Natural – 6" min. a 14" max. columna de agua (14.9 mb a 34.9 mb)

Gas Propano – 11" min. a 14" max. columna de agua (27.4 mb a 34.9 mb)



ADVERTENCIA

Desconecte la corriente antes de la instalación. Antes de Prender (**ON**) la corriente, asegúrese que todos los controles estén en la posición Apagado (**OFF**).

Todos los quemadores sellados están clasificados para 18,000 BTU/HR (*15,000 BTU/HR en gas LP). *Todos los modelos son convertibles a gas LP/Propano utilizando un kit de accesorios de conversión.

IMPORTANTE

- Se debe instalar una consola trasera de protección cuando hay menos de 12" (305 mm) de espacio horizontal libre entre los materiales combustibles y la parte trasera de la parrilla. Se debe pedir por separado la consola trasera de protección baja de Thermador e instalarla en la parte trasera de la parrilla. Cuando hay más de 12" (305 mm) de espacio libre y para instalaciones de isla, se puede usar una moldura

opcional tipo isla de acero inoxidable para cubrir las bridas de montaje de la consola.

- Asegúrese que el aparato sea apropiado para el tipo de gas utilizado. Consulte el “Paso 4: Requerimientos de gas y conexiones” on page 12 antes de seguir con la instalación.

Información importante para la instalación

Se **recomienda fuertemente** instalar este aparato junto con **una campana colgada** adecuada. (Vea “Paso 1: Requerimientos para la ventilación”.)

Revise las regulaciones locales de construcción para el método correcto de la instalación del aparato. Los códigos locales varían. La instalación, conexiones eléctricas y la puesta a tierra deben cumplir con todos los códigos locales. A falta de códigos locales, se debe instalar el aparato conforme al Código Eléctrico Nacional ANSI Z223.1/FNPA 54 edición actual y del Código Nacional de Gas Combustible ANSI/NFPA 70-edición actual. En Canadá la instalación debe estar conforme a la norma CAN 1-B149.1 y .2 – códigos de instalación para aparatos que queman gas y/o los códigos locales.

Este aparato incluye un dispositivo de encendido intermitente/ interrumpido que prende y apaga los dos quemadores izquierdos en el modo ExtraLow (Calor ExtraBajo).



PRECAUCIÓN

(1) Cuando conecte la unidad a gas propano, asegúrese que el tanque de gas propano venga con su propio regulador de alta presión además del regulador de presión que se incluye con la estufa. La máxima presión de gas a este aparato no debe exceder 14.0 pulgadas de columna de agua (34.9 mb) del tanque de gas propano al regulador de presión.

(2) El aparato sirve para cocinar. Basado en consideraciones de seguridad, nunca debe usar la parrilla para calentar una habitación.

Debido a la capacidad de alta temperatura de esta unidad, debe prestar particular atención a la campana y la instalación del trabajo del conducto para asegurar que cumple los códigos de edificación locales.

Esta unidad cumple con uno o más de los siguientes Estándares:

- UL 858, La norma para la seguridad de estufas electrodomésticas
- UL 923, La norma para aparatos (hornos) de microondas

- UL 507, La norma para la seguridad de ventiladores eléctricos
- ANSI Z21.1, La norma americana nacional para aparatos domésticos de cocina que funcionan con gas
- CAN/CSA-C22.2 No. 113-M1984 Ventiladores
- CAN/CSA-C22.2 No. 61-M89 Estufas electricodomésticos de cocinar

Es responsabilidad del dueño de la unidad y del instalador al determinar si aplican requerimientos legales y/o estándares adicionales aplican para instalaciones específicas.



PRECAUCIÓN

Para eliminar el riesgo de quemaduras o fuego al inclinarse encima de superficies calientes, se deben evitar espacios de almacenamiento en los gabinetes arriba de las unidades superficiales.

Retire toda la cinta y material de empaque antes de utilizar la unidad. Destruya el material de empaque posterior a desempacar la unidad. Nunca permita que los niños jueguen con material de empaque.

Paso 1: Requerimientos para la ventilación

Recomendamos fuertemente instalar una campana apropiada arriba de la parrilla para extraer el aire. No se debe utilizar una ventilación descendente. La tabla siguiente contiene recomendaciones relativas a la capacidad del ventilador y a las opciones de ventilación de la campana para todas las hornillas Thermador.

Debido a la capacidad de alta temperatura de esta unidad, debe prestar particular atención a la campana y la instalación del trabajo del conducto para asegurar que cumple los códigos de edificación locales.

No instale una combinación del horno de microondas/ ventilador sobre la parilla, pues estos tipos de unidades no proporcionan la ventilación apropiada y no son convenientes para el uso con la parilla.

Seleccionar la campana y el ventilador:

- Para instalaciones en la pared, el ancho de la campana debe ser por lo menos igual al ancho de la supercie de la parrilla. Donde el espacio lo permite se puede instalar una campana más ancha que la supercie de cocinar para mejorar el funcionamiento de la campana.
- Para instalaciones tipo isla, el ancho de la campana colgada debe rebasar el ancho de la supercie de cocinar de la estufa al menos por 3" en cada lado.

Colocar la campana:

- Para eliminar mejor el humo se debe instalar el borde inferior de la campana a una distancia de 30" arriba de la supercie de cocinar de la estufa (Vea Figure 1).
- Si la campana contiene algunos materiales combustibles (i.e., una cubierta de madera), se debe instalar a una distancia mínima de 40" arriba de la superficie de cocinar.

AVISO:

La mayor parte de las campanas contienen componentes combustibles que hay que tener en cuenta en el momento de planificar la instalación.

Considerar aire de reposición:

- Debido al alto volumen del aire de ventilación, se recomienda tener una fuente externa para reemplazar el aire. Esto es sumamente importante para hogares muy bien sellados y aislados.
- Consulte a un contratista calificado de calefacción y ventilación.

Nota:

Las campanas de ventilación y los ventiladores están diseñados para usarse con ductos sencillos de pared. Sin embargo, algunos códigos locales de construcción o inspectores de obras pueden requerir ductos dobles de pared. Consulte los códigos locales de construcción y/o las agencias locales antes de comenzar, para estar seguro que la instalación de la campana y de los ductos cumplen con los requerimientos locales.

Anchura de la hornilla	Configuración de la hornilla	Mínimo recomendado Capacidad del ventilador*	Opciones de ventilación
30"	4 quemadores	800 pi ³ /min	Campana mural Pro de 30" o 36" Campana de 30" o 36" – ajuste a medida con ventilador opcional Campana de isla de 42" con ventilador opcional
36"	4 quemadores con plancha	1000 pi ³ /min	Campana mural Pro de 36" o 42" Campana de 36" – ajuste a medida con ventilador opcional
	6 quemadores	1100 pi ³ /min	Campana de isla de 42" o 48" con ventilador opcional
48"	6 quemadores con plancha	1300 pi ³ /min	Campana mural Pro de 48" ^{**} o 54" Campana de 48" – ajuste a medida con ventilador opcional Campana de isla de 54" con ventilador opcional

Notas importantes :

- Recomendamos la utilización de una campana mural o de una campana de isla Thermador Profesional con todas las hornillas Thermador.
- Visite el www.Thermador.com para una selección completa de las opciones de ventilación, de los ventiladores y de los accesorios.
- * Se recomienda una ventilación mínima de un (1) pi³/min por 100 BTU para las hornillas de gas de alto rendimiento (60 000 BTU o más). Si la hornilla está equipada de una plancha, añada 200 pi³/min a la capacidad de ventilación estimada. Se podría necesitar una capacidad de ventilación mayor si los conductos de aeración son más largos.
- En cuanto a las campanas de isla, se recomienda la utilización de una anchura que exceda de 6" la anchura de la hornilla (superposición de 3" de cada lado de la hornilla).
- **No todos los modelos de campanas de pared Pro de 48" pueden acomodar un ventilador de 1300 CFM.
- pi³/min = pie cúbico por minuto (capacidad estándar de ventilación).

Paso 2: Preparación de los gabinetes

1. Para lograr resultados profesionales, contrate a un carpintero calificado para preparar los recortes en la cubierta y para los gabinetes.
2. Se requieren los espacios libres indicados en la Figure 1. Los mismos espacios libres aplican a instalaciones tipo isla, excepto para los gabinetes colgados, que deben tener un espacio con suficiente ancho para acomodar la campana de isla.
3. La parrilla está diseñada para colgar de la cubierta por sus costados. Sin embargo, la cubierta debe ser suficientemente fuerte para soportar esta parrilla. Puede ser necesario añadir una tablita de soporte junto a cada lado (vea Figure 2) o un ángulo de 2 x 4 (vea Figure 3 y Figure 4 y Detalle A). Otra alternativa sería construir una cubierta donde se coloque la parrilla.
4. Se puede instalar la parrilla en varias posiciones con el frente empotrado o salido, dependiendo de la profundidad de la cubierta. (Vea Figure 5, vista lateral de la parrilla; vea Figure 3, Figure 4, Figure 6 y Figure 7 para posiciones de montaje alternativo.)
5. Se debe instalar el suministro eléctrico y de gas en un área con fácil acceso sin tener que quitar la parrilla. El cable de alimentación eléctrica y la conexión del tubo de gas del aparato se encuentran en la parte inferior izquierda de la parrilla, como se muestra en Figure 5 y Figure 9.
6. La máxima profundidad de gabinetes colgados instalados en cualquier lado de la campana es 13" (30.5 cm).

Debe haber un espacio libre mínimo de 40 pulgadas (101.6 cm) entre la superficie de cocinar y el fondo de un gabinete no protegido. Se necesita una distancia mínima de 30 pulgadas (76.2 cm) cuando el fondo del gabinete de madera o metal está protegido por no menos de 1/4 pulgada (6.35 mm) de un material retardante al fuego cubierto con no menos de lámina de acero calibre 28 MSG, acero inoxidable con un grosor de 0.015-pulg. (0.4 mm), aluminio con un grosor de 0.024-pulg. (0.6 mm), o cobre con un grosor de 0.020-pulg. (0.5 mm). Los materiales retardantes al fuego llevan la leyenda:

UNDERWRITERS LABORATORIES INC. CLASSIFIED MINERAL Y FIBER BOARDS SURFACE BURNING CHARACTERISTICS

seguido por la propagación de llamas y las clasificaciones de humo, estas designaciones aparecen como "FHC (Propagación de llamas/Humo desarrollado)". Materiales con una clasificación de propagación de llamas de "O" son retardantes al fuego. Los códigos locales pueden permitir otras clasificaciones para la propagación de llamas.

7. Cuando hay menos de 12" de espacio horizontal libre entre el material combustible Δ y el borde trasero de la estufa arriba de la superficie de cocinar, se debe instalar una consola trasera de protección baja de Thermador. (Vea Paso 6). Cuando el espacio libre al material combustible Δ es más de 12", se puede utilizar una moldura tipo isla de Thermador. Instale la consola trasera antes de insertar el aparato en su posición final.
8. Establezca la línea central del lugar deseado de la parrilla. Debe ser igual que el centro de la campana colgada.
9. Haga los recortes para las siguientes instalaciones:
 - Instalación en pared, vea Figure 3.
 - Instalación tipo isla, vea Figure 4.
10. Para instalar una parrilla de 48" arriba de dos cajones calentadores Thermador, Modelo WD24, que están lado a lado, consulte la Figure 8. Cuando termina la instalación según Figure 8, los bordes izquierdo y derecho de la parrilla quedan alineados con el borde izquierdo del cajón izquierdo y con el borde derecho del cajón derecho. Cuando desea una alineación diferente, se puede modificar la distancia horizontal de 1-7/8" (4.8 cm) entre los recortes del cajón. Sin embargo, mantenga al menos una distancia de 1-1/8" (2.9 cm) para evitar interferencia entre los cajones calentadores. Instale un codo de 90° al tubo de entrada de gas de la parrilla. Se deben observar todos los espacios libres arriba de la cubierta, como se muestra en la Figure 1.

Δ Como se define en el "Código Nacional de Gas" (ANSI Z223.1/NFPA54-edición actual).

Notas:

- Cuando hay una pared sólida del gabinete lateral en uno o ambos lados, tendrá que entallarla esquina delantera del gabinete para coincidir con la ranura de la cubierta y para permitir un espacio libre para el frente de la cubierta (vea Detalle A, Figure 3 y Figure 4).
- Si se usa una tablita de soporte, los costados o el fondo del recorte pueden ser de un material sólido combustible o no combustible. Si el fondo es sólido, haga un recorte de 8" por 8" en la esquina trasera izquierda de la tablita de soporte. Esto dará el espacio libre para la entrada de gas y el cable eléctrico, permitiendo al mismo tiempo la vista de la etiqueta del producto.
- Siempre mantenga limpia el área del aparato y libre de materiales combustibles, gasolina y otros vapores y líquidos inflamables.
- No obstruya el flujo del aire de combustión y de ventilación a la unidad.

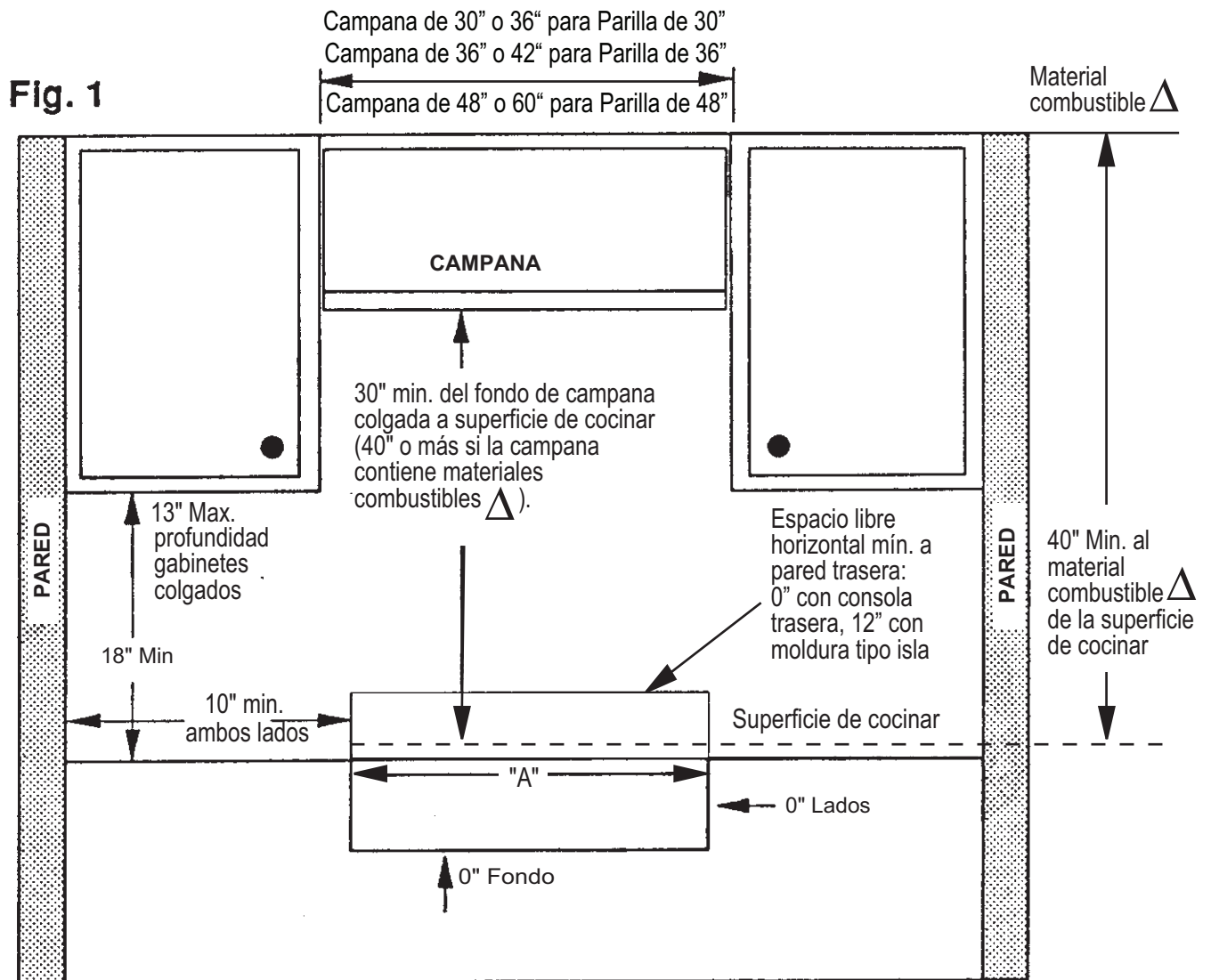


Figura 1: Requerimientos espacios libres

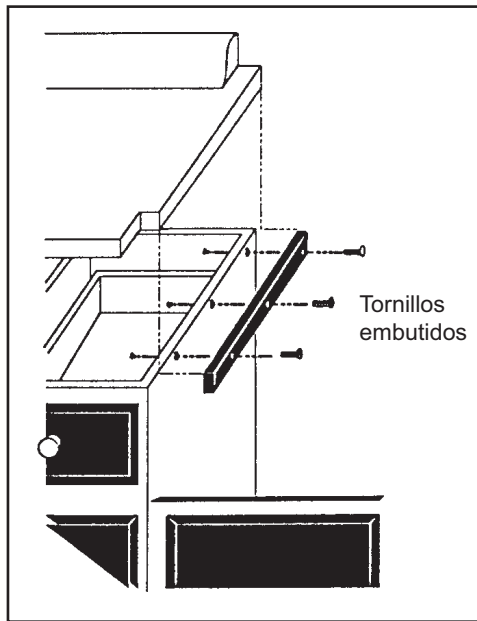


Figura 2: Instalar los soportes laterales (ambos lados)

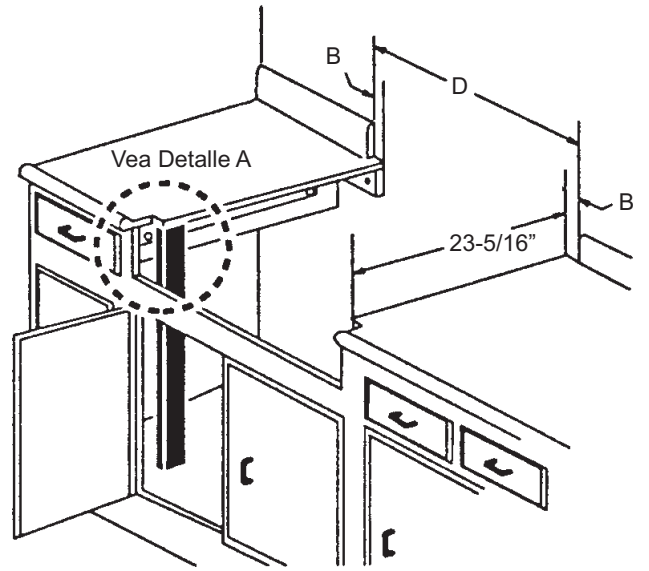


Figura 3: Instalación de pared con salpicadero trasero en la cubierta

Requerimientos espacios libres para Campanas
 Isla – Ancho de campana de 42" o 48" para Parrilla 36"
 Isla – Ancho de campana de 54" o 60" para Parrilla 48"

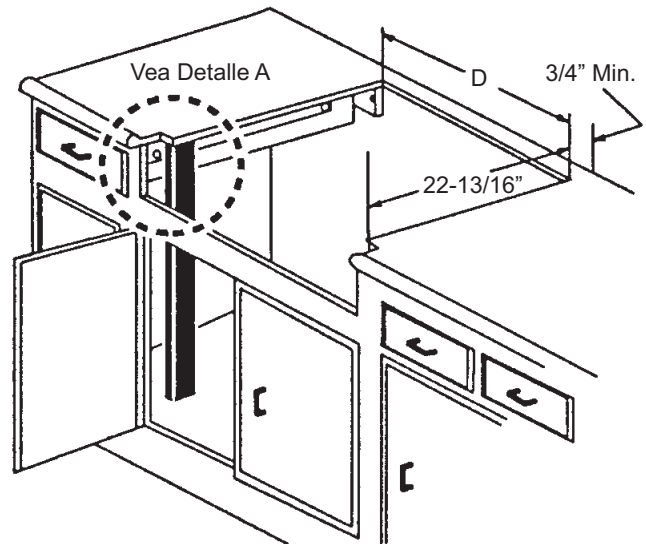
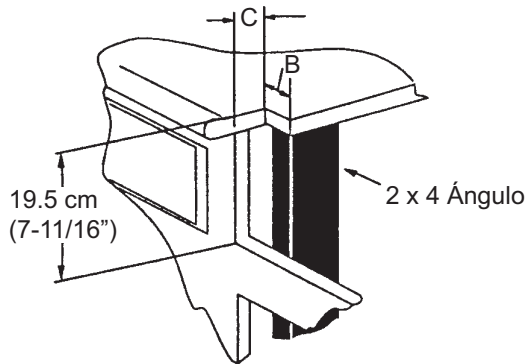


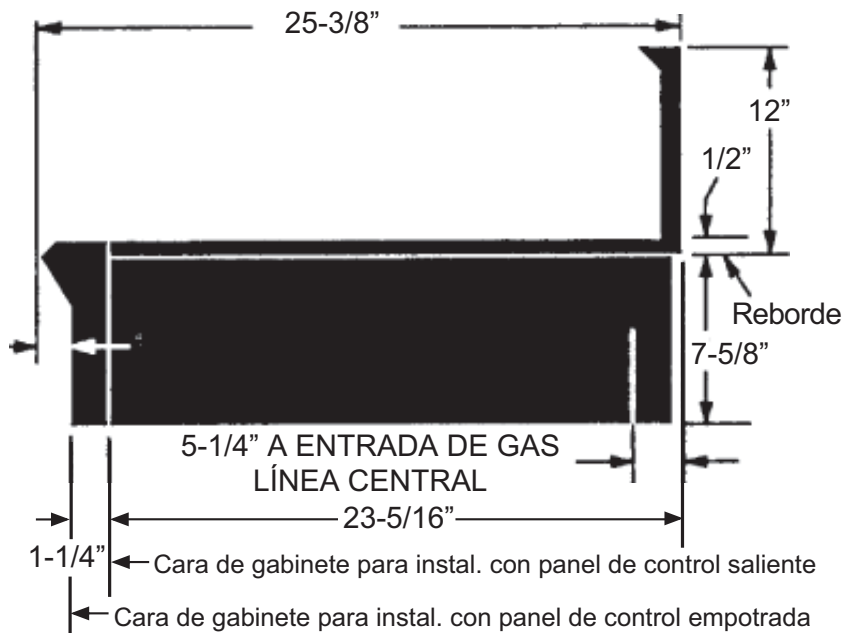
Figura 4: Instalación tipo isla (sin salpicadero trasero en la cubierta)



Detalle de entalladura

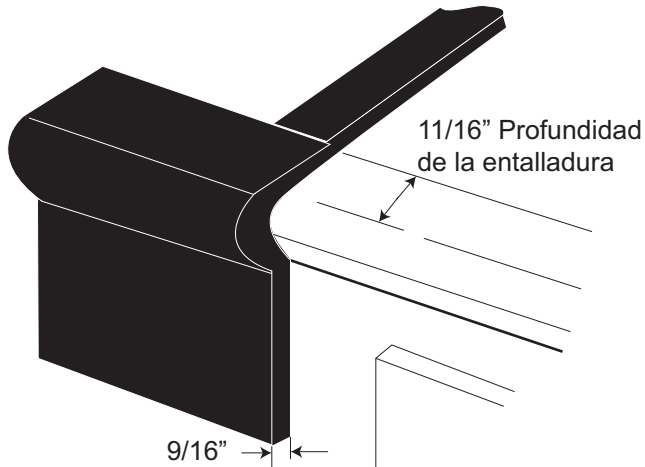
Detalle A: (cara del gabinete)

	Parilla 30"	Parilla 36"	Parilla 48"
A	29-7/8"	35-7/8"	47-7/8"
B	3/8"	3/8"	13/16"
C	0" (Panel de control sale 1-1/4" de la cara del gabinete básico) 11/16" (Entalladura req. para gabinete estándar de 24", Panel de control sale 9/16" de la cara del gabinete básico), 1-1/4" (Panel de control al ras con cara del gabinete – Se requiere un gabinete básico mínimo de 24-9/16.)		
D	29-1/8"	35-1/8"	46-1/4"



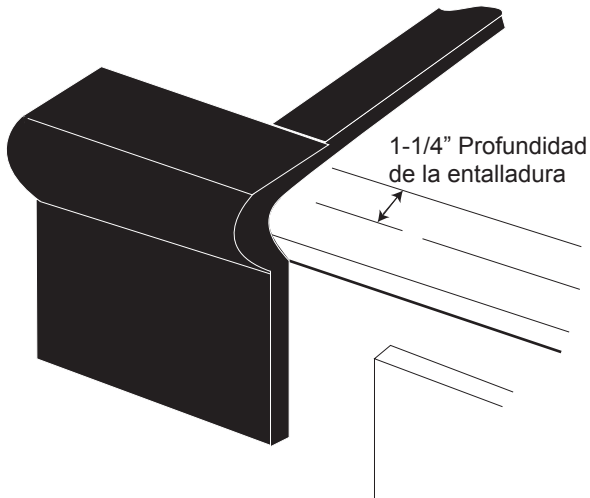
* Se requiere consola trasera cuando hay menos de 12" espacio horizontal de la parte trasera de la parrilla al material combustible. Con más de 12" de espacio, use la moldura tipo isla.

Figura 5: Vista lateral de la Parrilla



El frente sale 9/16" hacia afuera, como se muestra, de la base estándar de 24" de profundidad.

Figura 6: Saliendo del frente del gabinete



Frente al ras con gabinetes; se requiere una profundidad mínima del gabinete de 24-9/16\".

Figura 7: Al ras con el frente del gabinete

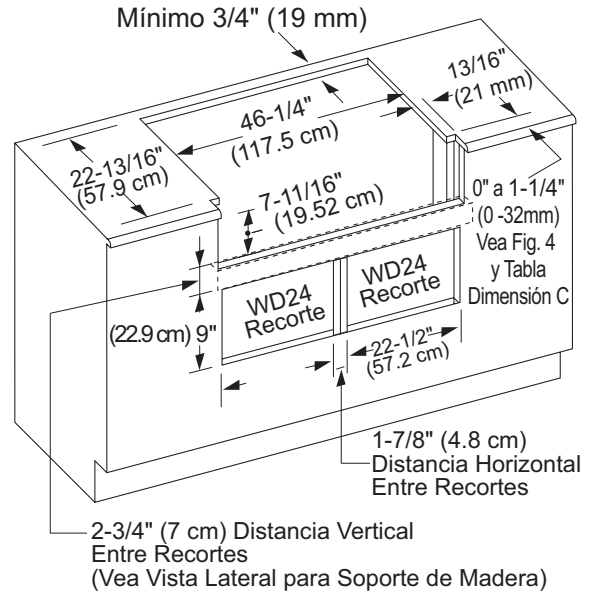


Figura 8a: Instalación de una Parrilla 48" arriba de dos cajones calentadores Thermador lado-a-lado, Modelo No. WD24

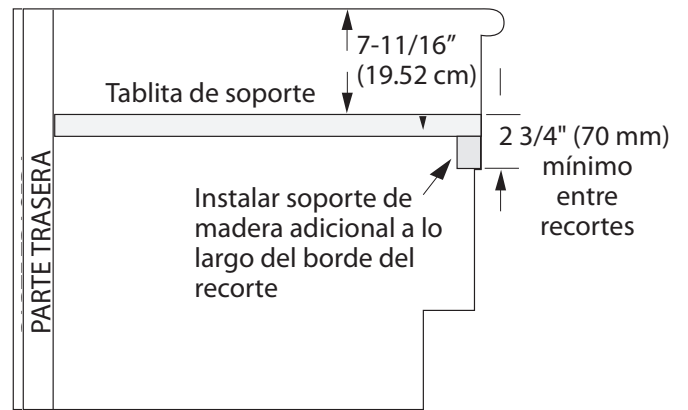


Figura 8b: Instalación de una Parrilla 48" arriba de dos cajones calentadores Thermador lado-a-lado, Modelo No. WD24 (Vista lateral)

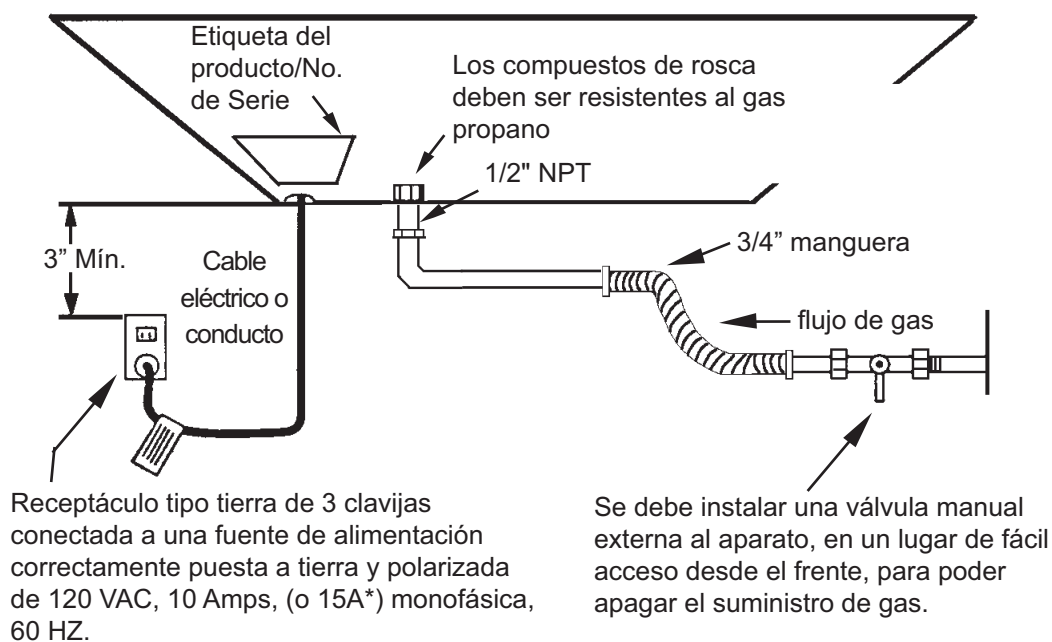


Figura 9: Fondo de unidad

Todas las partes suministradas por el instalador deben cumplir con los códigos locales.

* Corriente eléctrica de 15 Amp 120 VAC es requerida para modelos de 36" y 48" sin una plancha eléctrica.

Paso 3: Desempacar, mover, posicionar y jar la parrilla



ADVERTENCIA

Se debe utilizar el equipo apropiado y suficientes personas para mover la parrilla y evitar lesiones, y para no dañar la unidad o el piso. La unidad está pesada y se debe manejar apropiadamente.

IMPORTANTE

- Verifique que el aparato coincida con el tipo de gas suministrado. Consulte el Paso 4 antes de proceder con la instalación.
- Instale la consola trasera de protección antes de insertar el aparato a su posición final. Vea el Paso 6.
- Quite la caja exterior de cartón y el material de empaque de la base de embarque. Asegúrese de tener

todos los componentes de la parrilla antes de continuar.

- Quite las rejillas superiores y las tapas de los quemadores para reducir el peso de la parrilla.

Nota:

Deja la capa de espuma con adhesivo sobre superficies de metal cepillado, para proteger el acabado de rayones, hasta que la parrilla esté instalada en su posición final.

- Levante y posicione la parrilla en la abertura. Tenga cuidado para no doblar el cable eléctrico o la entrada de gas. Tenga cuidado para no arañar la plancha.
- Asegúrese que el cable de alimentación no esté demasiado tendido y se pueda mover fácilmente.
- Para obtener un rendimiento adecuado, la hornilla debe estar al nivel.
- Reemplace las rejillas y las tapas de los quemadores. Asegúrese de asentar correctamente las tapas de los quemadores sobre sus bases.

Ajuste de inclinación de la plancha

Para asegurarse que la plancha esté bien ajustado, eche dos cucharadas de agua en la parte trasera de la plancha. El agua debería bajar lentamente al colector de grasa. De lo contrario, ajuste los dos tornillos ubicados en la parte trasera, bajo la placa. Comience con medio giro de los tornillos en sentido opuesto del reloj (CCW por sus siglas en inglés). Otros ajustes deben ser de un cuarto giro hasta que el agua fluya lentamente al colector de grasa.

Paso 4: Requerimientos de gas y conexiones

Las parrillas vienen de fábrica con certificado para el uso con gas natural. Deben ser convertidas para ser utilizadas con propano. Asegúrese que el tipo de gas utilizado en el lugar de la instalación coincida con el tipo de gas utilizado por el aparato. Si el lugar/trabajo requiere una conversión de gas natural a gas propano (LP), contacte al distribuidor donde compró la unidad o contacte a Thermador. El kit de conversión de las hornillas Professional de esta serie es el modelo Thermador PALPKITHC. Observe todas las instrucciones en el esta unidad para una conversión correcta del regulador de gas y para los ajustes de las válvulas de gas. Solamente personal técnico calificado debe realizar la conversión.

Requerimientos para gas natural:

Conexión entrada: 1/2" NPT (conducto flexible de 3/4" diámetro)
Presión suministro: 6" a 14" columna de agua (14.9 a 34.9 mb)
Presión manifold: 5" columna de agua (12.5 mb)

Requerimientos para gas propano:

Conexión entrada: 1/2" NPT (conducto flexible de 3/4" diámetro)
Presión suministro: 11" a 14" columna de agua (14.9 a 34.9 mb)
Presión manifold: 10" columna de agua (24.9 mb)



ADVERTENCIA

Si se utiliza un kit de conversión de gas debe ser instalado por una agencia de servicio calificada de acuerdo a las instrucciones del fabricante y todos los códigos y requerimientos de la autoridad que tenga jurisdicción. Si la información de estas instrucciones no es seguida exactamente, puede resultar un incendio, explosión o producción de monóxido de carbono, causando daños a propiedad, lesiones personales o la muerte. Las agencias de servicio calificadas son responsables de la instalación adecuada de este kit. La instalación no es adecuada ni completa hasta que la operación de las unidades es verificada como se especifica por las instrucciones del fabricante proveídas con el kit.

Conexión

- Se debe instalar una válvula manual externa de cierre de gas, en un lugar accesible desde el frente para cerrar el suministro de gas. La línea de suministro no debe interferir con la parte trasera de la unidad. Asegúrese de cerrar el suministro de gas en la válvula de cierre manual antes de conectar el aparato
- El instalador debe informar al consumidor de la localización de la válvula de paso de gas. Asegúrese que todos los usuarios saben dónde y cómo cerrar la entrada de gas de la parrilla.
- Un técnico competente debe realizar las conexiones del suministro de gas conforme a los códigos y regulaciones locales. A falta de códigos locales, la instalación debe estar conforme al Código Nacional de Gas Combustible ANSI Z223.1/NFPA54- edición actual.
- Siempre utilice compuesto para sellar tuberías o cinta Teflon® en la rosca de las tuberías, y tenga cuidado de no aplicar demasiada presión al apretar las conexiones.
- Las pruebas de fugas del aparato deben estar conforme a las siguientes instrucciones.
 - Prenda el gas y revise las conexiones de la línea de suministro para ver si hay fugas usando una solución con agua y jabón.
 - Burbujas que aparecen indican una fuga de gas. Repare todas las fugas de inmediato.



ADVERTENCIA

No use una flama de ningún tipo para verificar si hay fugas de gas.

- Todas las partes suministradas por el instalador deben estar conforme a todos los códigos que aplican.



PRECAUCIÓN

Cuando conecte la unidad a gas propano, asegúrese que el tanque de gas propano venga con su propio regulador de alta presión además del regulador de presión que se incluye con la estufa. La presión de gas suministrada a este aparato no debe exceder 14.0 pulgadas de columna de agua (34.9 mb).



PRECAUCIÓN

El aparato debe estar aislado del sistema de tubería de suministro de gas cerrando la válvula manual de cierre durante cualquier prueba de presión de la línea de suministro de gas a presiones de prueba igual a o inferior que 1/2 psig (3.5kPa.).

Se deben desconectar el aparato y su válvula individual de cierre del sistema de suministro de gas durante cualquier prueba de presión del sistema a presiones arriba de 1/2 psig (3.5kPa.).

Cuando verifique la presión de gas del manifold, la presión de entrada al regulador debe ser al menos 6.0" (14.9 mb) columna de agua para gas natural o 11.0" (27.4 mb) para gas propano.

No trate de ajustar el regulador de presión.

Paso 5: Requerimientos eléctricos, conexión y puesta a tierra



PRECAUCIÓN

Un aterrizaje o polarización incorrecta causará un mal funcionamiento (como chispas continuas de los encendedores). Esto puede dañar el aparato y crear el riesgo de una descarga eléctrica. Si el circuito no está correctamente aterrizado y polarizado, es la responsabilidad y obligación del instalador y usuario cambiar la tomacorriente existente a una tomacorriente correctamente aterrizada y polarizada. Un eléctrico calificado debe hacerlo conforme a todos los códigos y regulaciones locales que aplican. A falta de códigos y regulaciones locales, la tomacorriente debe quedar conforme al Código Eléctrico Nacional (Vea Figure 10).

- Antes de instalar, apague el panel de servicio. Trabe el panel de servicio para prevenir el encendido accidental.
- Antes de dar servicio al aparato, siempre desconecte el aparato de la alimentación eléctrica, ya sea desenchufando el cable de alimentación o apagando el interruptor.

- Antes de conectar un cable de corriente, asegúrese de que todos los interruptores estén en posición de APAGADO.
- Se deben enchufar todos los modelos con parrilla de 120 Volts en una tomacorriente correspondiente a 3 clavijas, conectada a tierra física. La tomacorriente debe estar conectada a un afuente de alimentación correctamente aterrizada y polarizada en un circuito de 120VAC, monofásico, 60HZ. Vea la lista "Requerimientos para la protección de sobrecorriente:" on page 14 para los requerimientos de la protección de sobre corriente para cada modelo.
- Observe todos los códigos y regulaciones durante la puesta a tierra. A falta de estos códigos y regulaciones, observe el Código Eléctrico Nacional ANSI/NFPA No. 70 edición actual. Vea Figure 10 para el método recomendado de la puesta a tierra.
- En la parte inferior del bastidor de la parrilla se encuentra un diagrama eléctrico para información de un técnico de servicio calificado. No quite esta información importante.

Método de puesta a tierra

La parrilla viene de fábrica con un cable de alimentación eléctrica con un enchufe de tres clavijas (con patas paralelas polarizadas).

SE DEBE ENCHUFAR EN UNA TOMACORRIENTE CORRESPONDIENTE, DEBIDAMENTE ATERRIZADA, QUE ESTÉ CONECTADA A UN CIRCUITO CORRECTAMENTE POLARIZADO DE 120 VOLTS. (Vea Figure 10).

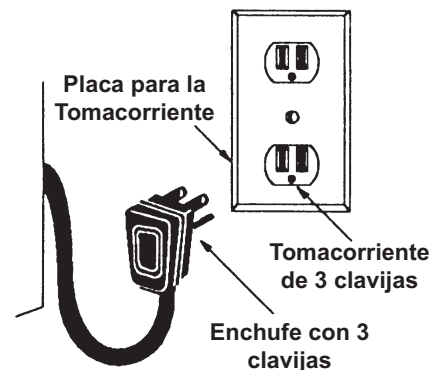


Figura 10: Método recomendado para la puesta a tierra para modelos de 120 VAC

NO SE DEBE CORTAR LA TERCERA CLAVIJA BAJO NINGUNA CIRCUNSTANCIA.

Requerimientos para la protección de sobrecorriente:

4 Quemadores - circuito de protección de 10 Amp

6 Quemadores - circuito de protección de 10 Amp

4 Quemadores con una plancha eléctrica - circuito de protección de 15 Amp

6 Quemadores con una plancha eléctrica - circuito de protección de 15 Amp

Instalador - muestre al propietario la localización del interruptor de circuito o fusible. Márquelo para referencia fácil.

Paso 6: Instalación de la consola trasera de protección

Se debe instalar una consola trasera de protección baja cuando hay menos de 12" espacio libre entre materiales combustibles y la parte trasera de la parrilla. (Vea Figure 1 y Figure 5.) Para instalaciones tipo isla, donde hay un mínimo espacio libre de 12", hay disponible un canal opcional de una moldura de acero inoxidable para cubrir las bridas de montaje de la consola trasera. Instale la consola trasera de protección antes de deslizar la parrilla a su posición final. Siga los Pasos A hasta C abajo:

1. Deslice la consola sobre las dos bridas en la parte trasera del aparato. Fije el frente y la parte trasera con los dos tornillos (vea A, Figure 11) incluidos.

2. Fije la parte superior de la consola trasera a la pared con los dos tornillos a través de la consola. (Vea B, Figure 11.)
3. Coloque la tapa de la consola trasera encima y fíjela con dos tornillos embutidos que se incluyen. (Vea C, Figure 11.)

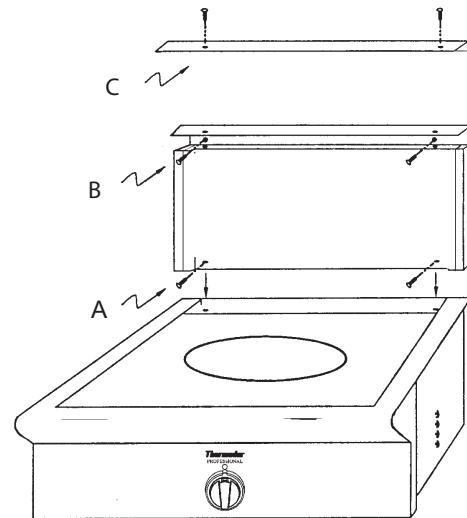


Figura 11: La consola trasera baja

Números de modelo para consola trasera baja y moldura tipo isla

Tamaño/Tipo de Parrilla	Consola Baja de 12"	Moldura Tipo Isla*
30"	PA30GLBC	PA30GITC
36"	PA36GLBC	PA36GITC
48"	PA48GLBC	PA48GITC

*Requiere un mínimo espacio horizontal libre de 12" entre la parte trasera del aparato y material combustible.

Paso 7: Probar y Ajustar el Quemador

Instala cualquier componente flojo, como casquillos de quemador y rejillas, que se pudieron haber quitado con anterioridad.

Asegúrese que los casquillos de quemador asienten apropiadamente en sus bases de quemador. Antes de probar la operación de la unidad, verificar que se ha comprobado cuidadosamente la unidad y la fuente de gas para saber si hay fugas y que la unidad haya sido

conectada con la fuente de la corriente eléctrica. Dar vuelta a la válvula de cierre manual del gas a la posición abierta.

Probar los quemadores de la estufa

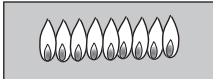
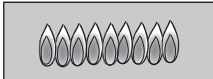
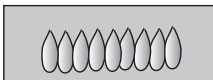
Probar la ignición de quemadores. Seleccione una perilla de un quemador de la estufa. Presiónela y gírela al símbolo de la llama. El ignitor módulo de chispas producirá un sonido de un clic (chasquido). Una vez que se haya purgado el aire de las líneas de suministro, el quemador debe encenderse dentro de cuatro (4) segundos.

Probar la llama: Calor alto. Cambie el quemador a HI (Alto). Vea la Figure 12 para las características apropiadas de las llamas. Si alguno de los quemadores de la estufa sigue quemándose con un color amarillo, llame al Servicio de Thermador.

Probar la llama: Calor bajo. Cambie el quemador a LO (Bajo). Verifique que la llama envuelva completamente el quemador. Debe haber una llama en el puerto de cada quemador y no debe haber un espacio de aire entre la llama y el quemador. Si alguno de los quemadores no queda completamente envuelto, llame al Servicio de Thermador.

Los dos quemadores de la parrilla de estufa en el lado izquierdo cuentan con la característica XLO, causando que se haga un ciclo de encendido y apagado en la flama cuando la perilla está en la posición XLO. Esta es una operación normal.

Repita los procedimientos de prueba de Encendido y Flama, descritos anteriormente para cada quemador superior de la estufa.

Llama amarilla: Se requiere más ajuste.	
Puntas Amarillas sobre Conos: Normal para Gas LP.	
Llama Azul Suave: Normal para Gas Natural.	

Si la llama está casi completamente amarilla, verifique que el regulador esté ajustado para el gas correcto. Después de ajustarlo, vuelva a probar. Ver algunas llamas amarillas al arranque inicial es cosa normal. Permita que la unidad opere 4-5 minutos y reevalúe antes de hacer otros ajustes.

Figura 12: Características de la Llama

Llame a Thermador si :

1. Algún quemador no se enciende.
2. Algún quemador sigue quemándose con color amarillo.

Lista de chequeo de instalador

Lista de chequeo final

- Parrilla posicionada y fijada correctamente en el recorte de la cubierta.
- Se observaron los espacios libres especificados a las superficies de los gabinetes.
- Tapas de quemador es correctamente colocadas sobre las bases.
- Se quitó todo el material de empaque.
- Instalar la moldura tipo isla o la consola de protección unido según instrucciones.
- Se colocó correctamente la bandeja de la plancha, inclinada ligeramente hacia adelante. (See “Ajuste de inclinación de la plancha” on page 12.)

Suministro de gas

- Conexión: 1/2" NPT con una manguera flexible con diámetro mínimo de 1/2".
- Si está convirtiendo de gas natural a LP, para mayores detalles, refiérase a las Instrucciones de Conversión a LP.
- Se instaló la válvula de cierre manual de gas en un lugar accesible (sin tener que mover la parrilla).
- Se comprobó la unidad y no tiene fugas de gas.

Sistema eléctrico

- Para los modelos con plancha eléctrica se incluye un receptáculo polarizado y aterrizado de 120VAC con protección con otra sobrecorriente de 15 AMP para la conexión del cable de servicio.

Funcionamiento

- Se quitaron todos los material es internos de empaque. Se revisó debajo de las rejillas y bandejas del asador.
- Las tapas de los quemadores están correctamente asentados en sus bases.
- Depura el aire del sistema de gas haciendo funcionar uno de los quemadores durante varios minutos.
- Cada quemador prende bien, tanto en forma individual como junto con otros quemadores operando.
- Las rejas de los quemadores tienen que estar posicionadas correctamente.

Instalador

Entregue el MANUAL de CUIDADO y USO e INSTRUCCIONES DE INSTALACIÓN al su cliente.

Para limpiar y proteger las superficies exteriores

Se pueden limpiar las superficies de acero inoxidable con un trapo húmedo, jabonoso. Cualquier detergente suave para vidrio quitará huellas digitales y manchas.

Después de cada limpieza enjuague bien con agua limpia. Seque con un trapo limpio suave para evitar las manchas de agua. Para decoloraciones o depósitos persistentes, utilice un detergente casero no abrasivo o un polvo de pulido para acero inoxidable con un poco de agua y un trapo suave. Para casos muy persistentes, use un estropajo de plástico o un cepillo de dientes suaves junto con el detergente y agua. Frote ligeramente en dirección de las líneas de pulido o "grano" del acabado de acero. Evite demasiada presión para no dañar la superficie.

Use un detergente/pomada para acero inoxidable para proteger el acabado y mantener la apariencia.

NO permita que suciedades permanezcan por períodos largos de tiempo.

NO use bra metálica normal o cepillos metálicos. Se pueden pegar pedazos pequeños de metal a la superficie causando que ésta se oxide.

NO permita que soluciones salinas, desinfectantes, blanqueadores o compuestos de detergentes tengan contacto prolongado con el acero inoxidable. Muchos de estos compuestos contienen químicos dañinos. Enjuague con agua después de cada exposición y seque con un trapo limpio.

Notes:

Remarques :

Notas:

Specifications are for planning purposes only. Refer to installation instructions and consult your countertop supplier prior to making counter opening. Consult with a heating and ventilating engineer for your specific ventilation requirements. For the most detailed information, refer to installation instructions accompanying product or write Thermador indicating model number.

We reserve the right to change specifications or design without notice. Some models are certified for use in Canada. Thermador is not responsible for products which are transported from the U.S. for use in Canada. Check with your local Canadian distributor or dealer.

Les spécifications ne sont fournies qu'à titre prévisionnel. Consultez les instructions d'installation et le fournisseur de votre plan de travail avant de le modifier. Consultez un entrepreneur en chauffage et en climatisation pour vos conditions spécifiques de ventilation. Pour une information plus détaillée, reportez-vous aux instructions d'installation jointes au produit ou bien écrivez à Thermador en indiquant le numéro du modèle.

Nous nous réservons le droit de modifier les caractéristiques ou le design sans préavis. Certains modèles sont approuvés pour le Canada. Thermador n'est pas responsable des produits transportés des États-Unis pour être utilisés au Canada. Veuillez vous renseigner auprès de votre distributeur ou détaillant canadien.

Las especificaciones son exclusivamente para propósitos de planeación. Consulte las instrucciones de instalación y a su proveedor de cubiertas antes de hacer los recortes en la cubierta. Consulte a un ingeniero de calefacción y ventilación para determinar sus requerimientos específicos de ventilación. Para la información más detallada, consulte las instrucciones de instalación que se incluyen con el producto o escriba a Thermador indicando el número de modelo.

Nos reservamos el derecho de modificar las especificaciones o el diseño sin previo aviso. Algunos modelos están certificados para ser usados en Canadá. Thermador no es responsable de productos que son transportados desde los Estados Unidos para ser utilizados en Canadá. Consulte a su distribuidor local en Canadá.

Thermador[®] | *An American Icon*[™]