

36" Professional Series Rangetop

PCG364GD



PCG364GD Stainless steel

INNOVATION

- Exclusive, patented Star® Burner – most even heating, unsurpassed flame coverage
- QuickClean Base® designed for easy surface cleaning
- Every burner 18,000 BTU (NG)
- Precision simmering capabilities as low as 100°F (375 BTU) with 2 ExtraLow® Simmer burners

PERFORMANCE

- Professional style, continuous cast iron grates
- Continuous porcelain, easy to clean cooking surface
- Widest range of simmer options from 375 BTU to 3,000 BTU
- Star® design delivers superior heat spread for any size pan
- Simmer without stirring/scorching with exclusive ExtraLow®
- Superior griddle results-6 pass, 1630 watt electric griddle
- Titanium surface non-stick, rust-proof cast-aluminum griddle
- Removable griddle and grill accessory for easy clean-up
- Titanium surface non-stick, rust-proof cast-aluminum grill accessory
- Grill accessory-thermostatically controlled for even heating

DESIGN

- Bold Professional design
- Patented Pedestal Star® Burner with QuickClean Base®
- Restaurant style metal knobs
- Signature blue indicator lighting
- Island trim shipped standard with rangetop

Optional accessories

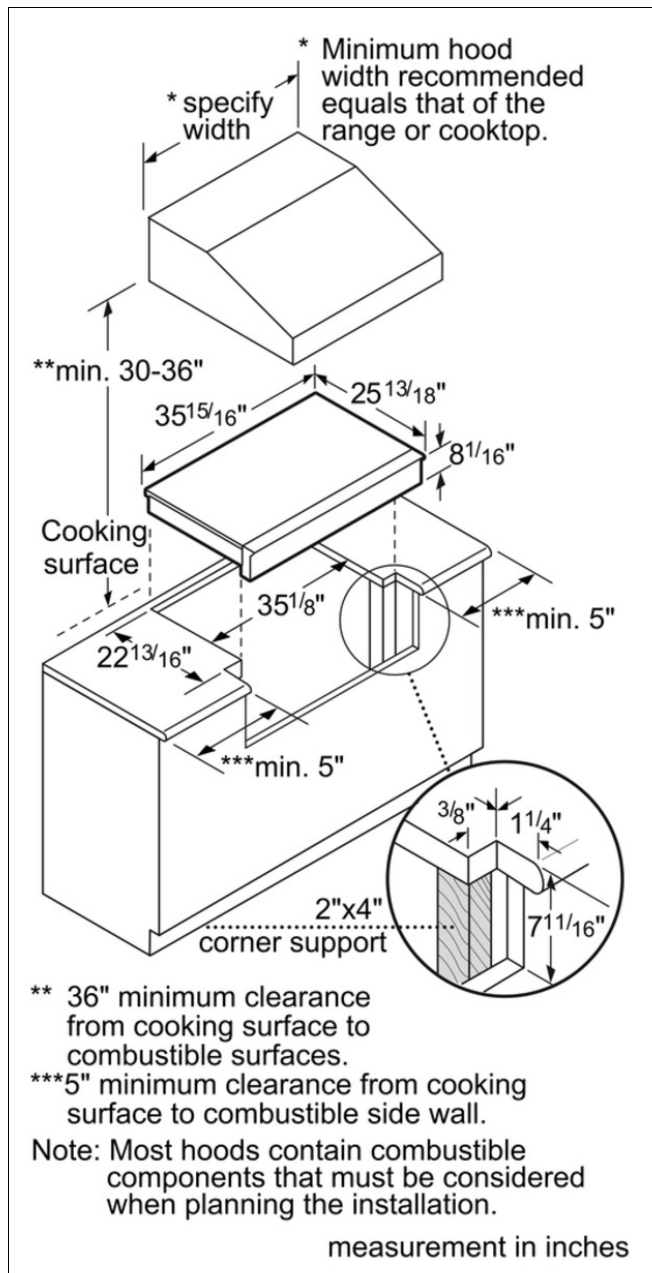
PA12CVRJ 12" Professional Griddle Cover Accessory

PA12GRILHC 12" Grill Accessory

PAGRIDDLE Professional Griddle Accessory

825225881193

36" Professional Series Rangetop PCG364GD



Product Features

Knob Material: Full metal
 Sealed Burners: Yes
 Type of grate: Cast iron
 Natural Gas Connection Rating (BTU): 72000
 LP Gas Connection Rating (BTU): 60000
 Power of 1st heating element (W): 0.1-5.27
 Power of 1st burner (BTU): 18000
 Power of 2nd heating element (W): 0.1-5.27
 Power of 2nd burner (BTU): 18000
 Power of 3rd heating element (W): 0.62-5.27
 Power of 3rd burner (BTU): 18000
 Power of 4th heating element (W): 0.62-5.27
 Power of 4th burner (BTU): 18000

Consumption and connection features

UPC code: 825225881193
 Variant color: Stainless steel
 Energy source: Mixed electro/gas
 Gas type: Natural gas 15 mbar (USA)
 Alternative gas type: Liquid gas 27,5 mbar (USA)
 Watts (W):
 Current (A): 15
 Volts (V): 120
 Frequency (Hz): 60
 Approval certificates: CSA
 Power cord length (in): 96"
 Power cord length (cm): 243.8
 Plug type: 120V-3 prong
 Required cutout size (HxWxD) (in): 10 9/16" x 35 1/8" x 7 11/16"
 Required cutout size (HxWxD) (mm): 268.3 x 892 x 195
 Minimum distance from counter front (in):
 Minimum distance from rear wall (in): 12"
 Overall appliance dimensions (HxWxD) (in): +10 9/16" x 35 15/16" x 25 13/16"
 Overall appliance dimensions (HxWxD) (mm): 204.8 x 913 x 656
 Product packaging dimensions (HxWxD) (in): 21 1/2" x 41" x 30 3/4"
 Net weight (lbs): 155
 Net weight (kg): 70.000
 Gross weight (lbs): 172
 Gross weight (kg): 78.000
 Total number of cooktop burners: 4

2013-07-12