

# 48" Professional Series Rangetop

## PCG486GD



### PCG486GD Stainless steel

#### INNOVATION

- Exclusive, patented Star® Burner – most even heating, unsurpassed flame coverage
- QuickClean Base® designed for easy surface cleaning
- Every burner 18,000 BTU (NG)
- Precision simmering capabilities as low as 100°F (375 BTU) with 2 ExtraLow® Simmer burners

#### PERFORMANCE

- Professional style, continuous cast iron grates
- Continuous porcelain, easy to clean cooking surface
- Widest range of simmer options from 375 BTU to 3,000 BTU
- Star® design delivers superior heat spread for any size pan
- Simmer without stirring/scorching with exclusive ExtraLow®
- Superior griddle results-6 pass, 1630 watt electric griddle
- Titanium surface non-stick, rust-proof cast-aluminum griddle
- Removable griddle and grill accessory for easy clean-up
- Grill accessory-thermostatically controlled for even heating

#### DESIGN

- Bold Professional design
- Patented Pedestal Star® Burner with QuickClean Base®
- Restaurant style metal knobs
- Signature blue indicator lighting
- Island trim shipped standard with rangetop

#### Optional accessories

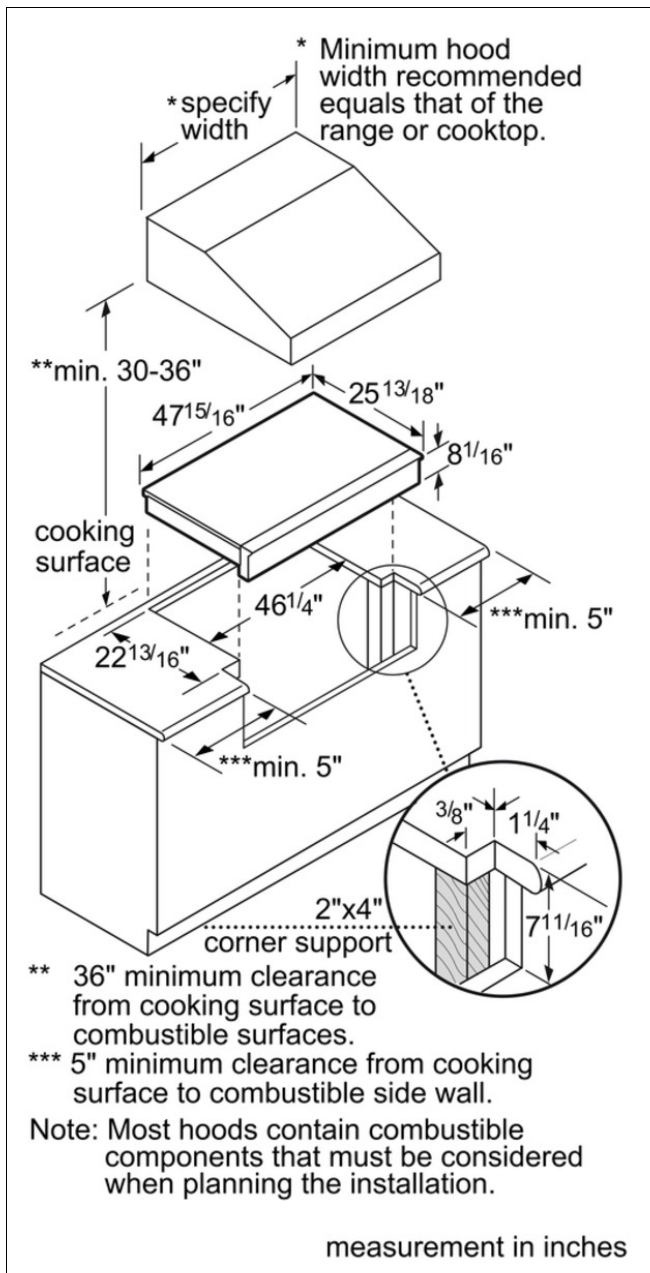
PA12CVRJ 12" Professional Griddle Cover Accessory

PA12GRILHC 12" Grill Accessory

PAGRIDDLE Professional Griddle Accessory

825225881520

# 48" Professional Series Rangetop PCG486GD



## Product Features

Knob Material: Full metal  
 Sealed Burners: Yes  
 Type of grate: Cast iron  
 Natural Gas Connection Rating (BTU): 108000  
 LP Gas Connection Rating (BTU): 90000  
 Power of 1st heating element (W): 0.1-5.27  
 Power of 1st burner (BTU): 18000  
 Power of 2nd heating element (W): 0.1-5.27  
 Power of 2nd burner (BTU): 18000  
 Power of 3rd burner (BTU): 18000  
 Power of 4th heating element (W): 0.62-5.27  
 Power of 4th burner (BTU): 18000

## Consumption and connection features

UPC code: 825225881520  
 Variant color: Stainless steel  
 Energy source: Mixed electro/gas  
 Gas type: Natural gas 15 mbar (USA)  
 Alternative gas type: Liquid gas 27,5 mbar (USA)  
 Watts (W):  
 Current (A): 15  
 Volts (V): 120  
 Frequency (Hz): 60  
 Approval certificates: CSA  
 Power cord length (in): 96"  
 Power cord length (cm): 243.8  
 Plug type: 120V-3 prong  
 Required cutout size (HxWxD) (in): 10 9/16" x 46 1/4" x 7 11/16"  
 Required cutout size (HxWxD) (mm): 268.3 x 1175 x 195  
 Minimum distance from counter front (in):  
 Minimum distance from rear wall (in): 12"  
 Overall appliance dimensions (HxWxD) (in): +10 9/16" x 47 15/16" x 25 13/16"  
 Overall appliance dimensions (HxWxD) (mm): 204.8 x 1218 x 656  
 Product packaging dimensions (HxWxD) (in): 21 1/2" x 52 3/4" x 30 3/4"  
 Net weight (lbs): 172  
 Net weight (kg): 78.000  
 Gross weight (lbs): 191  
 Gross weight (kg): 87.000  
 Total number of cooktop burners: 6

2013-07-12