

Built-in Freezer, 24"
T24ID900LP



T24ID900LP

Innovation

- A touch-screen TFT display panel allows intuitive control over your entire refrigeration system.

Performance

- SoftClose® Drawers and Product bins for easy and controlled storage.
- STAR-K Sabbath compliant

Design

- Sleek clean design for the perfect symmetry when paired with additional columns.
- Freedom® Hinge enables true flush design.

Optional accessories

FRAMEKIT10 Freedom Frame KIT

HEATRKIT20 Freedom Heater Kit

MS36HNDL20 36" Masterpiece Handle New

PR36HNDL20 36" Professional Handle New Design

REPLFLTR10 Freedom Water Filter

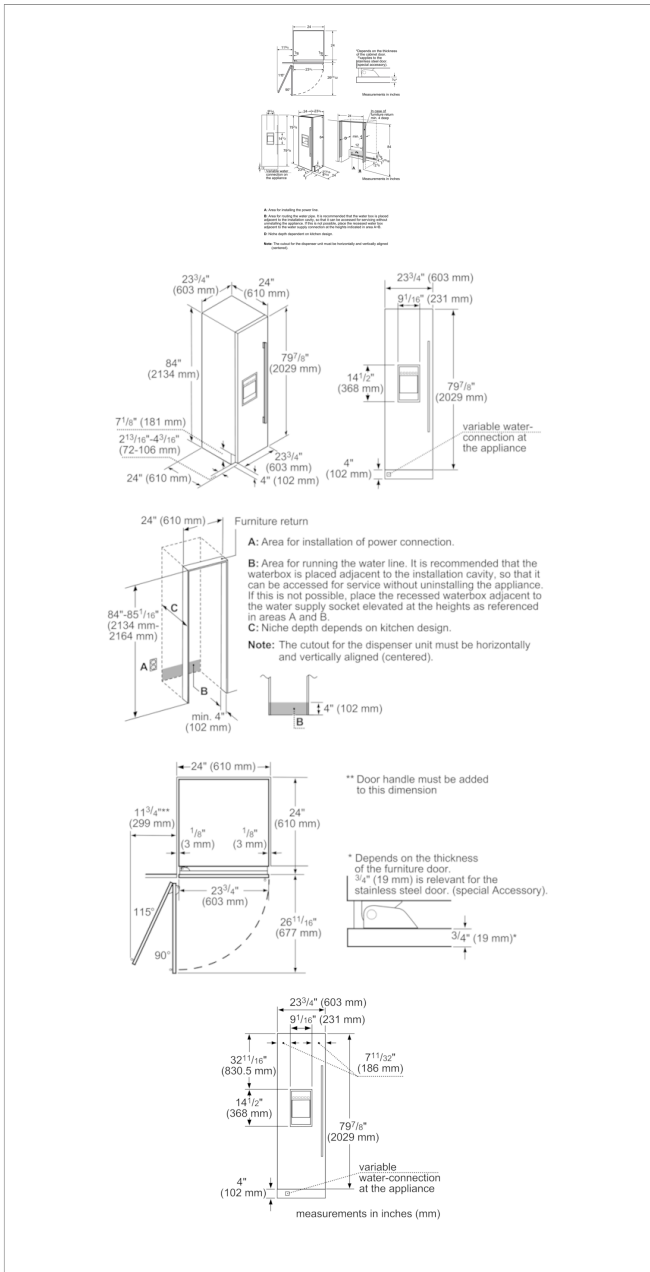
SCRNFLTR10 Freedom Filter By-Pass

TFL24ID800 24" Flush SS Panel, IWD

Included accessories

825225919025

Built-in Freezer, 24"
T24ID900LP



Product Features

- Multi-Flow Air Tower:** Yes
- Number of compressors:** 1
- Number of independent cooling systems:** 1
- Eco Mode:** Yes
- SUPERFREEZE:** No
- Number of Door Bins - Freezer:** 0
- Adjustable Door Bins - Freezer:** No
- Tilt-Out Door Bins - Freezer:** No
- Number of shelves - Freezer:** 2
- Adjustable Door Bins - Freezer:** No
- Shelf Material - Freezer:** Safety glass
- Door hinge:** Left
- Reversible Door Hinge:** No

Consumption and connection features

- UPC code:** 825225919025
- Variant color:** Not applicable
- Panel ready:**
- Installation Type:** N/A
- Silence level (dBA):** 42
- Watts (W):** 350
- Current (A):** 10
- Volts (V):** 110-120
- Frequency (Hz):** 60
- Energy consumption (kWh/yr):**
- Energy Star® qualified:** No
- Approval certificates:** CSA
- Power cord length (in):** 118"
- Plug type:** 120V-3 prong
- Appliance dimensions (h x w x d) inch:** 83 3/4 " x 23 3/4 " x 24"
- Required cutout size (HxWxD) (in):** 84" x 24" x 24 3/4"
- Appliance Width (in):** 23 3/4 "
- Height (in):** 83 3/4 "
- Depth (in):** 24"
- Product packaging dimensions (HxWxD) (in):** 89.37 x 27.55 x 29.13
- Total unit gross capacity (cu. ft.) - AHAM:** 11.2
- Net weight (lbs):** 331
- Gross weight (lbs):** 364

2020-08-04