

TMD3002

COOK LIKE A GOD

30inch Stainless Steel Built-In Microwave Drawer

THOR
K I T C H E N[®]

USE & CARE MANUAL

USE AND CARE MANUAL

30 INCH 1.2 CU FT MICROWAVE DRAWER

(TMD3002)

THOR
K I T C H E N[®]

TABLE OF CONTENTS

1 Safety Warnings	1
1.1 Precautions To Avoid Possible Exposure To Excessive Microwave Energy	1
1.2 Specifications	1
1.3 Important Safety Instructions	1-3
1.4 Grounding Instructions	3-4
1.5 Radio Interference	4
1.6 Utensils	4
2 Product Overview	6
2.1 Setting Up Your Oven	6
3 Product Installation	7
3.1 Clearances And Dimensions	7
3.2 Microwave Drawer Measurements	7-9
3.3 Normal Installation Steps Anti-tip Block Installation Instructions	10
3.4 Drawer Installation	10
3.5 Model And Serial Number Location	10
3.6 Care, cleaning And Maintenance	10
4 Operation Instructions	10
4.1 Control Panel And Features	11
4.2 Clock Setting	11
4.3 Kitchen Timer	11
4.4 Time Cook	12
4.5 Add 30sec	12
4.6 Weight Defrost Function	12
4.7 Time Defrost Function	12
4.8 Popcorn	12
4.9 Sensor Reheat	13
4.10 Sensor Cook	13
4.11 Beverage	13
4.12 Melt	13
4.13 Soften	13
4.14 Multiple Cook	14
4.15 Buzzer On/off	14
4.16 Lock Function For Children	14
4.17 Eco Mode	14
4.18 Inquiring Function	14
5 Troubleshooting	15
6 Warranty	16

1 SAFETY WARNINGS

1.1 PRECAUTIONS TO AVOID POSSIBLE EXPOSURE TO EXCESSIVE MICROWAVE ENERGY

- Do not attempt to operate this oven with the door open since open door operation can result in harmful exposure to microwave energy. It is important not to defeat or tamper with the safety interlocks.
- Do not place any object between the oven front face and the door or allows soil or cleaner residue to accumulate on sealing surfaces.
- Do not operate the oven if it is damaged. It is particularly important that the oven door close properly and that there is no damage to the:
 - DOOR (bent)
 - HINGES AND LATCHES (broken or loosened)
 - DOOR SEALS AND SEALING SURFACES
- The oven should not be adjusted or repaired by anyone except properly qualified service personnel.

1.2 SPECIFICATIONS

Model:	TMD3002
Rated Voltage	120 V~ 60 Hz
Microwave Input	1500 W
Microwave Output	1000 W

1.3 IMPORTANT SAFETY INSTRUCTIONS

When using electrical appliances basic safety precautions should be followed, including the following:

WARNING

To reduce the risk of burns, electric shock, fire, injury to persons or exposure to excessive microwave energy:

- Read all instructions before using the appliance.
- Read and follow the specific: "PRECAUTIONS TO AVOID POSSIBLE EXPOSURE TO EXCESSIVE MICROWAVE ENERGY" found on page 1.
- This appliance must be grounded. Connect only to properly grounded outlet. See "GROUNDING INSTRUCTIONS" found on page 3.

1 SAFETY WARNINGS

- Install or locate this appliance only in accordance with the provided installation instructions.
- Some products such as whole eggs and sealed containers - for example, closed glass jars - are able to explode and should not be heated in this oven.
- Use this appliance only for its intended use as described in the manual. Do not use corrosive chemicals or vapors in this appliance. This type of oven is specifically designed to heat, cook or dry food. It is not designed for industrial or laboratory use.
- As with any appliance, close supervision is necessary when used by children.
- Do not operate this appliance if it has a damaged cord or plug, if it is not working properly, or if it has been damaged or dropped.
- This appliance should be serviced only by qualified service personnel. Contact nearest authorized service facility for examination, repair, or adjustment.
- Do not cover or block any openings on the appliance.
- Do not store this appliance outdoors. Do not use this product near water - for example, near a kitchen sink, in a wet basement, near a swimming pool, or similar location.
- Do not immerse cord or plug in water.
- Keep cord away from heated surface.
- Do not let cord hang over edge of table or counter.
- When cleaning surfaces of door and oven that comes together on closing the door, use only mild, nonabrasive soaps, or detergent applied with a sponge or soft cloth.
- To reduce the risk of fire in the oven cavity:
 - Do not overcook food. Carefully attend appliance when paper, plastic, or other combustible materials are placed inside the oven to facilitate cooking.
 - Remove wire twist-ties from paper or plastic bag before placing bag in oven.
 - If material inside of the oven ignite, keep oven door closed, turn oven off, and disconnect the power cord, or shut off power at the fuse or circuit breaker panel.
 - Do not use the cavity for storage purposes. Do not leave paper products, cooking utensils, or food in the cavity when not in use.
- Liquids, such as water, coffee, or tea are able to be overheated beyond the boiling point without appearing to be boiling. Visible bubbling or boiling when the container is removed from the microwave oven is not always present. **THIS COULD RESULT IN VERY HOT LIQUID SUDDENLY BOILING OVER WHEN THE CONTAINER IS DISTURBED OR A UTENSIL IS INSERTED INTO THE LIQUID.**
To reduce the risk of injury to persons:

1 SAFETY WARNINGS

- Do not overheat the liquid.
- Stir the liquid both before and halfway through heating it.
- Do not use straight-sided containers with narrow necks.
- After heating, allow the container to stand in the microwave oven for a short time before removing the container.
- Use extreme care when inserting a spoon or other utensil into the container.
- Do not operate any heating or cooking appliance beneath the appliance.
- Do not mount unit over or near any portion of heating or cooking appliance.
- Do not mount over sink.
- Do not store anything directly on top of the appliance surface when the appliance is in operation.

SAVE THESE INSTRUCTIONS

1.4 GROUNDING INSTRUCTIONS

This appliance must be grounded. In the event of an electrical short circuit, grounding reduces the risk of electric shock by providing an escape wire for the appliance is equipped with a cord having a grounding wire with a grounding plug. The plug must be plugged into an outlet that is properly installed and grounded.

WARNING - Improper use of the grounding can result in a risk of electric shock.

Consult a qualified electrician or serviceman if the grounding instructions are not completely understood, or if doubt exists as to whether the appliance is properly grounded. If it is necessary to use an extension cord, use only a 3-wire extension cord that has a 3-blade grounded plug, and 3-slot receptacle that will accept the plug on the appliance. The marked rating of the extension cord shall be equal to or greater than the electrical rating of the appliance.

DANGER - Electric Shock Hazard

Touching some of the internal components can cause serious personal injury or death. Do not disassemble this appliance.

WARNING - Electric Shock Hazard

Improper use of the grounding can result in electric shock. Do not plug into an outlet until appliance is properly installed and grounded.

1 SAFETY WARNINGS

- A short power-supply cord is provided to reduce the risks resulting from becoming entangled in or tripping over a longer cord.
- Longer cord sets or extension cords are available and may be used if care is exercised in their use.
- If a long cord or extension cord is used:
 - The marked electrical rating of the cord set or extension cord should be at least as great as the electrical rating of the appliance.
 - The extension cord must be a grounding-type 3-wire cord.
 - The longer cord should be arranged so that it will not drape over the counter top or tabletop where it can be pulled on by children or tripped over unintentionally.

This device complies with part 18 of the FCC Rules.

1.5 RADIO INTERFERENCE

- Operation of the microwave oven may cause interference to your radio, TV or similar equipment.
- When there is interference, it may be reduced or eliminated by taking the following measures:
 - Clean door and sealing surface of the oven
 - Reorient the receiving antenna of radio or television.
 - Relocate the microwave oven with respect to the receiver.
 - Move the microwave oven away from the receiver.
 - Plug the microwave oven into a different outlet so that microwave oven are on different branch circuits.

1.6 UTENSILS

CAUTION - Personal Injury Hazard

Tightly-closed utensils could explode. Closed containers should be opened and plastic pouches should be pierced before cooking.

See the instructions on "Materials you can use in microwave oven or to be avoided in microwave oven."

There may be certain non-metallic utensils that are not safe to use for microwaving. If in doubt, you can test the utensil in question following the procedure below.

1 SAFETY WARNINGS

Utensil Test:

- Fill a microwave-safe container with 1 cup of cold water (250ml) along with the utensil in question.
- Cook on maximum power for 1 minute.
- Carefully feel the utensil. If the empty utensil is warm, do not use it for microwave cooking.
- Do not exceed 1 minute cooking time.

Materials you can use in microwave oven

Utensils	Remarks
Browning dish	Follow manufacturer* instructions. The bottom of browning dish must be at least 3/16 inch (5mm) above the turntable. Incorrect usage may cause the turntable to break.
Dinnerware	Microwave-safe only. Follow manufacturer's instructions. Do not use cracked or chipped dishes.
Glass jars	Always remove lid. Use only to heat food until just warm. Most glass jars are not heat resistant and may break.
Glassware	Heat-resistant oven glassware only. Make sure there is no metallic trim. Do not use cracked or chipped dishes.
Oven cooking bags	Follow manufacturer* instructions. Do not close with metal tie. Make slits to allow steam to escape.
Paper plates and cups	Use for short*erm cooking/warming only. Do not leave oven unattended while cooking.
Paper towels	Use to cover food for reheating and absorbing fat. Use with supervision for a short-term cooking only.
Parchment paper	Use as a cover to prevent splattering or a wrap for steaming.
Plastic	Microwave-safe only. Follow the manufacturer* instructions. Should be labeled "Microwave Safe". Some plastic containers soften, as the food inside gets hot. "Boiling bags" and tightly closed plastic bags should be slit, pierced or vented as directed by package.
Plastic wrap	Microwave-safe only. Use to cover food during cooking to retain moisture. Do not allow plastic wrap to touch food.
Thermometers	Microwave-safe only (meat and candy thermometers).
Wax paper	Use as a cover to prevent splattering and retain moisture.

1 SAFETY WARNINGS

Materials to be avoided in microwave oven

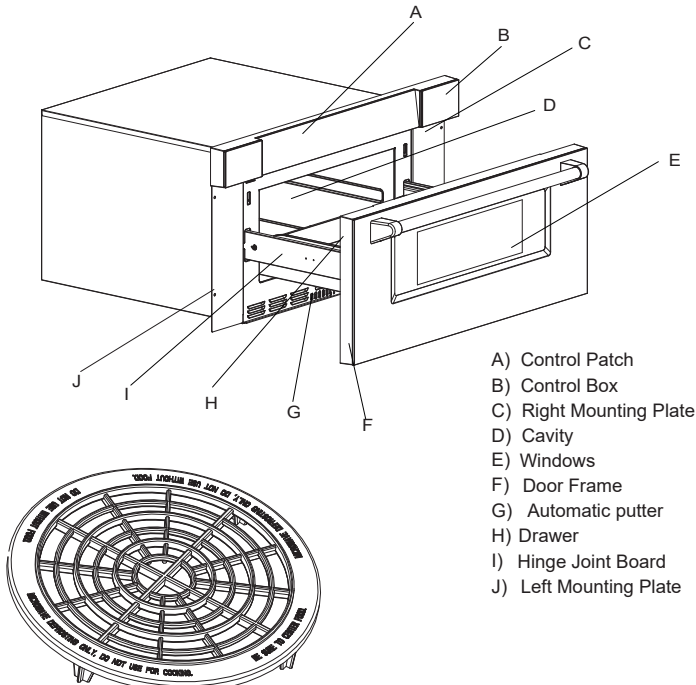
Utensils	Remarks
Aluminum tray	May cause arcing. Transfer food into microwave-safe dish.
Food carton with metal handle	May cause arcing. Transfer food into microwave-safe dish.
Metal or metal-trimmed utensils	Metal shields the food from microwave energy. Metal trim may cause arcing.
Metal twist ties	May cause arcing and could cause a fire in the oven.
Paper bags	May cause a fire in the oven.
Plastic foam	Plastic foam may melt or contaminate the liquid inside when exposed to high temperature.
Wood	Wood will dry out when used in the microwave oven and may split or crack.

2 PRODUCT OVERVIEW

2.1 SETTING UP YOUR OVEN

Names of Oven Parts and Accessories

Remove the oven and all materials from the carton and oven cavity. Your oven comes with the following accessories:



Defrosting Rack(Only be used in defrosting function and do not use for cooking. Do not use without food)

3 PRODUCT INSTALLATION

3.1 CLEARANCES AND DIMENSIONS

- Dimensions that are shown in Figure 1 must be used. Given dimensions provide minimum clearance. Locate electrical outlet in the shaded area in the upper left-hand corner of the cutout.

See Figure 3

- Contact surface must be solid and level. Pay special attention to the floor on which the Microwave Drawer will sit. The floor of the opening should be constructed of plywood strong enough to support the weight of the oven (about 100 pounds).
- Check location where the Microwave Drawer will be installed for proper electrical supply
- Your oven can be built into a cabinet or wall by itself or under a gas or electric wall oven.
- Be sure that the clearance of the floor between the wall oven and the microwave drawer is a minimum of 2-inches.
- The microwave interior will easily accommodate a 9" x 13" oblong dish or a bag of microwave popcorn.

3.2 MICROWAVE DRAWER MEASUREMENTS

Type and quantity of accessories is subject to actual demand.

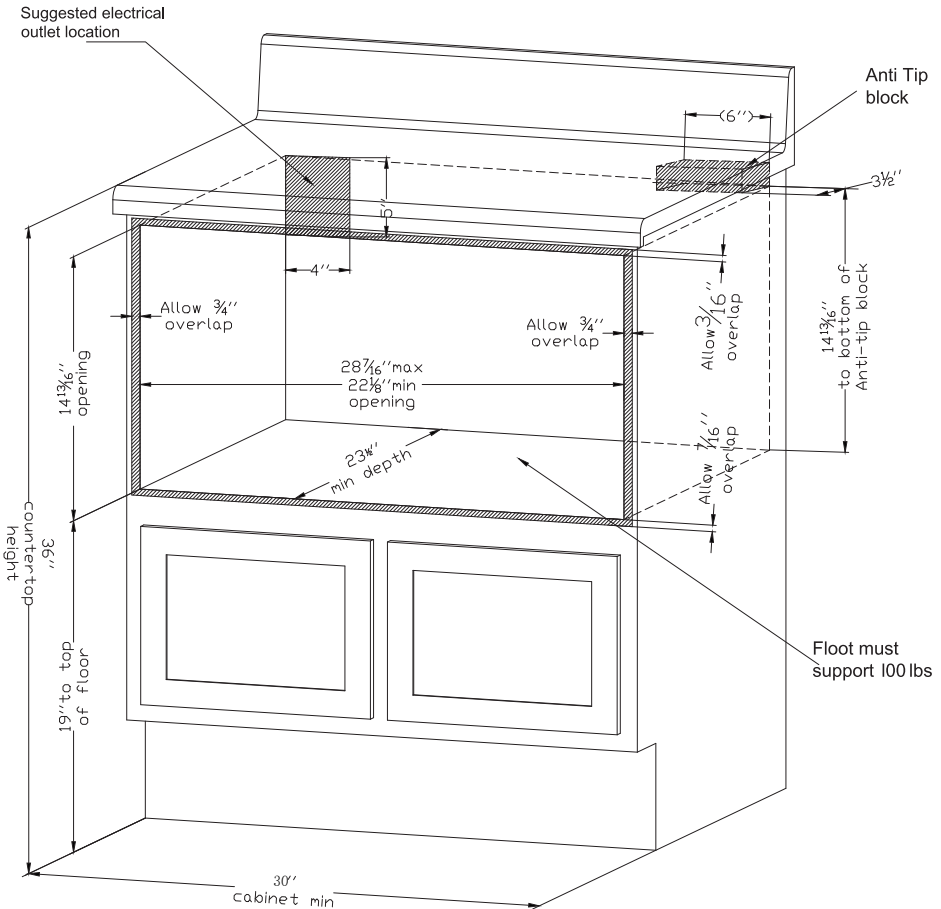
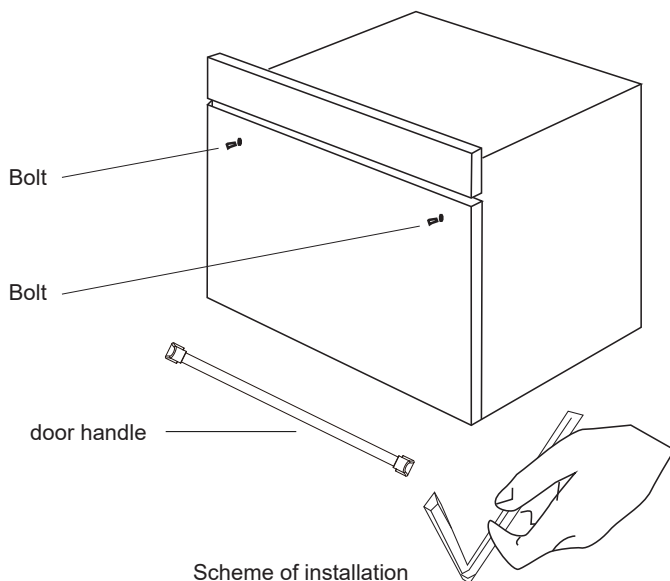


Figure 1

3 PRODUCT INSTALLATION

Microwave Door Handle Assembly Instructions



1. Carefully remove the door handle from the packaging. Orientate it according to the provided diagram. Ensure that both screw holes on the handle are positioned close to the edge. Align the handle over the designated set bolt.
2. Utilize the small hexagon spanner enclosed in the packaging to fasten the handle securely. Use this tool to fasten the handle fixing socket head cap screws into both small threaded holes on the handle. Once tightened, gently test the stability of the handle by applying slight pressure.
3. In the event of a misalignment between the handle component and the microwave oven door, adjust the small screw located on the handle tube. Tighten the screw to align it with the distance between the two threads on the microwave oven door.

3 PRODUCT INSTALLATION

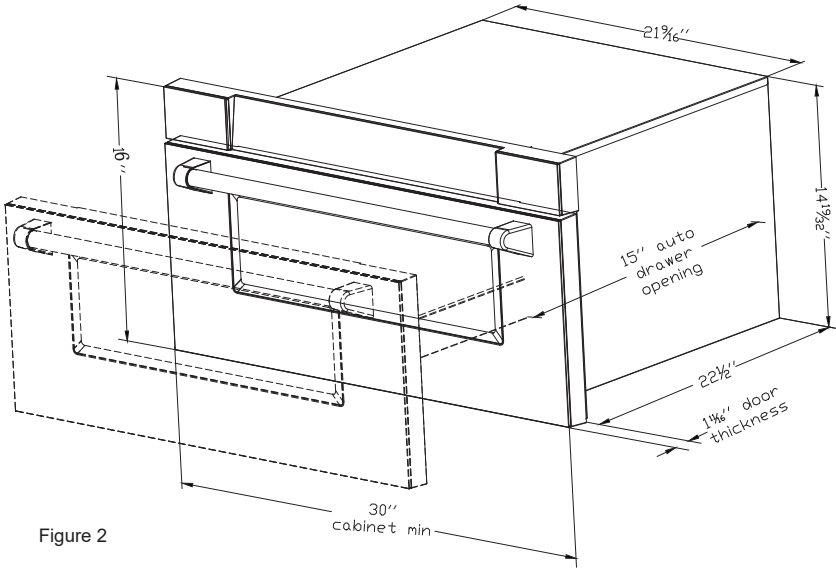


Figure 2

Figures 1 and 2 contain many Microwave Drawer measurements for reference when planning the drawer's location. This Microwave Drawer can be installed below any electric or gas wall oven. *Can also be installed using an electrical outlet in an adjacent cabinet within the area where tire provided electrical cord can reach. Power cord access hole in cabinet should be a minimum 1 1/2" diameter hole and debarred of all sharp edges.

NOTE

Always allow sufficient power cord length to the electrical outlet to prevent tension. Always check electrical codes for requirements.

ANTI-TIP BLOCK

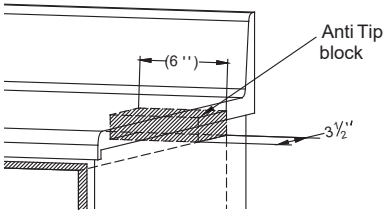


Figure 3

ELECTRICAL OUTLET

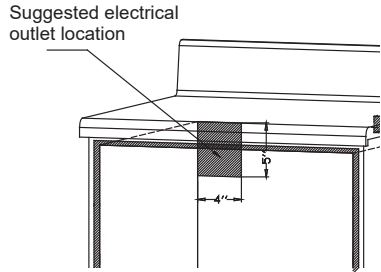


Figure 4

3 PRODUCT INSTALLATION

3.3 NORMAL INSTALLATION STEPS ANTI-TIP BLOCK INSTALLATION INSTRUCTIONS

To reduce the risk of tipping of the drawer, the Anti-Tip block must be properly installed located 14 inches above the floor on which the Microwave Drawer will sit. The 6-inch Anti-Tip block must be provided by the installer. See Figures 1 and 3. The Anti-Tip block prevents serious injury that might result from spilled hot liquids. If the Microwave Drawer is ever moved to a different location, the Anti-Tip block must also be moved and installed. When installed to the wall make sure that the screws completely penetrate the dry wall and are secured in wood or metal so that the block is totally stable. When fastening, be sure that the screws do not penetrate electrical wiring or plumbing. The electrical requirements are a 120 volt 60 Hz, AC only, 15 amp. or more protected electrical supply. It is recommended that a separate circuit serving only this appliance be provided. The drawer is equipped with a 3-prong grounding plug. It must be plugged into a wall receptacle that is properly installed and grounded. Should you only have 2-prong outlet, have a qualified electrician install a correct wall receptacle.

Note: If you have any questions about the grounding or electrical Instructions, consult a qualified electrician or service person.

*Can also be installed using an electrical outlet in an adjacent cabinet within the area where the provided electrical cord can reach. Always check electrical codes for requirements.

3.4 DRAWER INSTALLATION

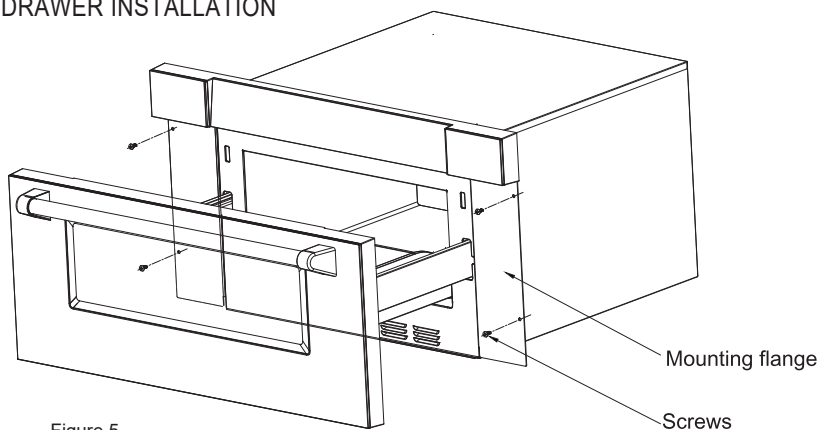
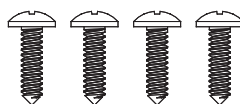


Figure 5

1. Place the drawer adjacent to the wall or cabinet opening. Plug the power supply cord into the electrical outlet.
2. Carefully guide the drawer into the prepared opening. Avoid pinching the cord between the oven and the wall.
3. Slide the drawer all the way until the mounting flange is flush with the face of the cabinet. See Figure 5.
4. Open the drawer. Using the 4 holes on the drawer as a template, pre drill the cabinet using a 1/16" bit. See Figure 5.
5. Secure the drawer with the 4 screws. See Figure 6.



4 Screws

Figure 6

3.5 MODEL AND SERIAL NUMBER LOCATION

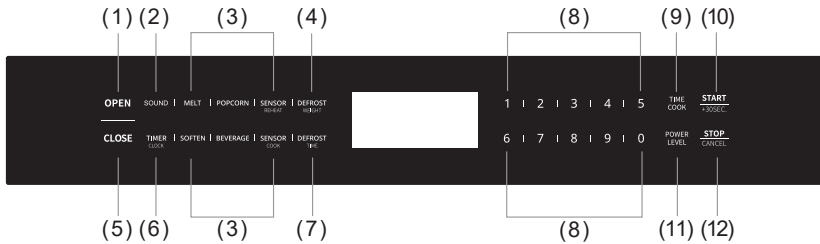
The name plate includes model and serial number. Open the Microwave Drawer fully. The label is beyond the back wall of the microwave cavity facing up from the flat surface.

3.6 CARE, CLEANING AND MAINTENANCE

Refer to the Operation Manual for cleaning instructions.

4 OPERATION INSTRUCTIONS

4.1 Control Panel and Features



- | | |
|--------------------|--------------------|
| 1) Open | 7) Defrost Time |
| 2) Sound | 8) Number Keys |
| 3) Auto Menu | 9) Time Cook |
| 4) Defrost Weight | 10) Start/+30sec. |
| 5) Close | 11) Power Level |
| 6) Timer/Clock | 12) Stop/Cancel |

4.2 Clock Setting

1. Press " **TIMER/CLOCK** " button twice. "12:00" will flash.
2. Press number keys to set the clock, it should be within 1:00~12:59.
3. Press " **START+30SEC.** " or " **TIMER/CLOCK** " to finish the setting.

Note:

In the process of clock setting, if the " **STOP/CANCEL** " button is pressed or if there is no operation within 1 minute, the oven will go back to former setting automatically.

4.3 Kitchen Timer

1. Press " **TIMER/CLOCK** " button once. "00:00" will display.
2. Press number keys to set the clock, it should be within 00:01-99:99.
3. Press " **START+30SEC.** " to start counting down .

4 OPERATION INSTRUCTIONS

4.4 Time Cook

10 power levels are available.

Level	Power	Display
10	100%	L10
9	90%	L09
8	80%	L08
7	70%	L07
6	60%	L06
5	50%	L05
4	40%	L04
3	30%	L03
2	20%	L02
1	10%	L01

1. Press " **TIME COOK** " button once. "00:00" will display.
2. Press number keys to set the cook time, it should be within 00:01-99:99.
3. Press " **POWER LEVEL** " once, and then to confirm and then press " **POWER LEVEL** " repeatedly or press number key to set the power level.
4. Press " **START+30SEC.** " to start cooking.

4.5 Add 30Sec

1. In waiting state, instant cooking at 100% power level with 30 seconds' cooking time can be started by pressing " **START/+30SEC.** ". Each press on the same button will increase cooking time by 30 seconds.
2. During microwave and defrost by time, " **START/+30SEC.** " can be pressed to increase cooking time. Each press will increase 30 seconds.

4.6 Weight Defrost Function

1. Press " **DEFROST WEIGHT** " button. Screen displays the defrost icon. And "0.0 lbs" will light.
2. Press number buttons to input the weight to be defrosted.
The input weight should be between 0.1-6.0 lbs.
3. Press " **START/+30SEC.** " to start defrosting. Buzzer sounds once.

Note:

The buzzer will sound twice to remind you of turning over the food during defrosting.

4.7 Time Defrost Function

1. Press " **DEFROST TIME** " button. Screen displays defrost icon.
And "00:00" will light.
2. Press number buttons to enter the defrosting time between 00:01-99:99.
3. Press " **START/+30SEC.** " to start defrosting.

Note:

The defrosting power level is PL03. It cannot be changed.

The buzzer will sound twice to remind you of turning over the food during defrosting.

4 OPERATION INSTRUCTIONS

4.8 Popcorn

1. Press " **POPCORN** " to start cooking directly.

4.9 Sensor Reheat

1. In waiting state, press " **Sensor Reheat** " once,"Sr-1" will display.
2. Press " **Sensor Reheat** " repeatedly or press "1-4" to choose the menu.
3. Press " **START+30SEC.** " to start cooking.

PASTA	Sr-1
PIZZA	Sr-2
PLATE	Sr-3
SOUP	Sr-4

4.10 Sensor Cook

1. In waiting state, press " **Sensor Cook** " once,"Sc-1" will display.
2. Press " **Sensor Cook** " repeatedly or press "1-7" to choose the menu.
3. Press " **START+30SEC.** " to start cooking.

Potato	Sc-1
Chicken	Sc-2
Fish	Sc-3
Ground Meat	Sc-4
Fresh Veggies	Sc-5
Frozen Veggies	Sc-6
Canned Veggies	Sc-7

4.11 Beverage

1. In waiting state, press " **Beverage** " once,"1","01:30" will display.
2. Press " **Beverage** " repeatedly or press "1"or "2" to choose the menu.
3. Press " **START+30SEC.** " to start cooking.

4.12 MELT

1. In waiting state, press " **MELT** " once,"1 buTT" will display.
2. Press " **MELT** " repeatedly to choose the menu.
3. Press "1"or "2" to choose the correspond weight.
4. Press " **START+30SEC.** " to start cooking.

Menu	Display	Weight
Butter/Margarine	1 buTT	1 (STICK)
	2 buTT	2(STICK)
	3 buTT	3(STICK)
Chocolate	4 oz Choc	4 oz
	8 oz Choc	8oz
Cheese	8 oz CHEE	8oz
	16 oz CHEE	16 oz

4 OPERATION INSTRUCTIONS

4.13 SOFTEN

1. In waiting state, press "**SOFTEN**" once,"1 buTT" will display.
2. Press "**SOFTEN**" repeatedly to choose the menu.
3. Press "1"or "2" to choose the correspond weight.
4. Press "**START+30SEC.**" to start cooking.

Menu	Display	Weight
Butter	1 buTT	1 (STICK)
	2 buTT	2(STICHS)
	3 buTT	3(STICHS)
Ice cream/ Frozen juice	8 oz ICE	8 oz
	16 oz ICE	16 oz
	32 oz ICE	32 oz
Cream Cheese	3 oz CHEE	3 oz
	8 oz CHEE	8 oz

4.14 Multiple Cook

1. In waiting state, press "**DEFROST WEIGHT**" once,"0.0 lbs" will display.
2. Press number buttons to input the weight to be defrosted.
The input weight should be between 0.1-6.0 lbs.
3. Press "**TIME COOK**" button once. "00:00" will display.
4. Press number keys to set the cook time,it should be within 00:01-99:99.
5. Press "**POWER LEVEL**" once,and then to confirm and then press "**POWER LEVEL**" repeatedly or press number key to set the power level.
6. Press "**START+30SEC.**" to start cooking.

Note:

The defrost function only could be one stage of the multiple cook.

Two stage cook can be set at most.

4.15 Buzzer On/Off

To enter silent mode

Press "**SOUND**" button. Screen displays silent icon.

To cancel silent mode

In silent mode,press "**SOUND**" button.the buzzer will sound twice.

4.16 LOCK FUNCTION FOR CHILDREN

Lock: In waiting state, press "**STOP/CANCEL**" for 3 seconds, the oven will enter into the children-lock state. Screen will display "Loc".

Lock quitting: In locked state, press "**STOP/CANCEL**" for 3 seconds to release the lock. Screen will display "UnLo".

4.17 ECO MODE

To enter eco mode

when the oven door is closed,in waiting state, if there is not any operations in 1 minute.

To cancel eco mode

In eco mode, open the door or press any key to cancel it.

4.18 INQUIRING FUNCTION

1. In cooking state, press "**TIMER/CLOCK**" button to check the clock. The current time will display for 3 seconds at most.

5 TROUBLESHOOTING

5.1 Troubleshooting

Check your problem by using the chart below and try the solutions for each problem. If the microwave oven still does not work properly, contact the nearest authorized service center.

TROUBLE	POSSIBLE CAUSE	POSSIBLE REMEDY
Oven will not start	<ul style="list-style-type: none">• Electrical cord for oven is not plugged in.• Door is open.• Wrong operation is set.	<ul style="list-style-type: none">• Plug into the outlet.• Close the door and try again.• Check instructions.
Arcing or sparking	<ul style="list-style-type: none">• Materials to be avoided in microwave oven were used.• The oven is operated when empty.• Spilled food remains in the cavity.	<ul style="list-style-type: none">• Use microwave-safe cookware only.• Do not operate with oven empty.• Clean cavity with wet towel.
Unevenly cooked foods	<ul style="list-style-type: none">• Materials to be avoided in microwave oven were used.• Food is not defrosted completely.• Cooking time, power level is not suitable.• Food is not turned or stirred.	<ul style="list-style-type: none">• Use microwave-safe cookware only.• Completely defrost food.• Use correct cooking time, power level.• Turn or stir food.
Overcooked foods	<ul style="list-style-type: none">• Cooking time, power level is not suitable.	<ul style="list-style-type: none">• Use correct cooking time, power level.
Undercooked foods	<ul style="list-style-type: none">• Materials to be avoided in microwave oven were used.• Food is not defrosted completely.• Oven ventilation ports are restricted.• Cooking time, power level is not suitable.	<ul style="list-style-type: none">• Use microwave-safe cookware only.• Completely defrost food.• Check to see that oven ventilation ports are not restricted.• Use correct cooking time, power level.
Improper defrosting	<ul style="list-style-type: none">• Materials to be avoided in microwave oven were used.• Cooking time, power level is not suitable.• Food is not turned or stirred.	<ul style="list-style-type: none">• Use microwave-safe cookware only.• Use correct cooking time, power level.• Turn or stir food.

6 WARRANTY



Warranty & Service

This product has been manufactured by Thor International, 4651 E Airport Dr, Ontario, CA 91761

For Customer Service, please call (877) 288 - 8099

**For the most up to date warranty and service policy, please refer to our website
WWW.THORKITCHEN.COM/WARRANTY-REGISTRATION**

**For in-warranty service requests, please visit our website at
WWW.THORKITCHEN.COM/SERVICE**

Please Note: You must provide proof of purchase or installation date for any in-warranty service requests

WELCOME TO THE CLUB

You chose THOR Kitchen to enhance your culinary journey and we're stoked to have you in the club. Think of it as a secret society of really savvy people, such as yourself, choosing professional power and performance at an affordable price.



Register your product by following the steps below.

WARRANTY REGISTRATION



01

Scan the QR code or visit
thorkitchen.com/warranty



02

Input your product info
and select register



03

You're done.
Let's get cookin'.



For additional information and product support, visit thorkitchen.com/service

thorkitchen.com | [#COOKLIKEAGOD](https://twitter.com/COOKLIKEAGOD)

