



Product: 30 Inch Tilt Panel Professional Electric Range
Model Number:TRE3001

TECHNICAL DETAILS

Fuel Type	Electric
Color	Stainless Steel
Voltage	240V 50A
Frequency (Hz)	60 Hz
Controls Type	Touch Screen
Hot Surface Indicator Light	Front Right Corner of Cooktop w/ Temp at 150°F (65°C)

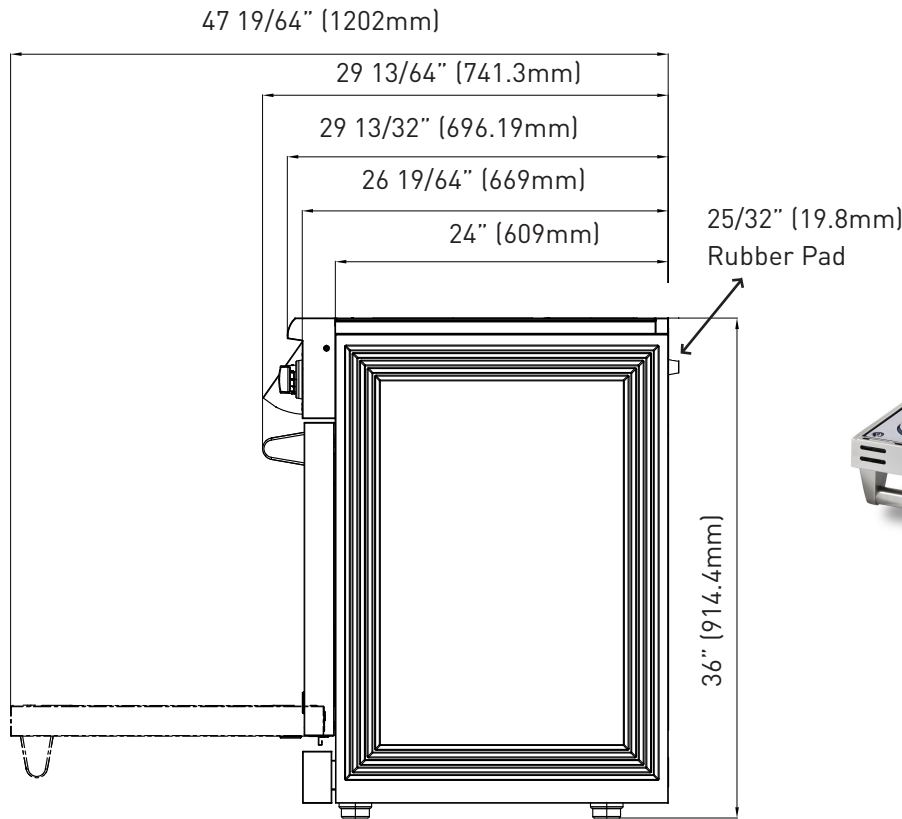


FEATURES & BENEFITS

- + **Five Powerful Elements** - Five elements give you great cooking flexibility with a powerful radiant cooktop. From a 100W warming zone to a high-powered 3,000W quick boil element, this range gives you the power to master any meal and the consistent low heat desired for cooking delicate sauces or melting chocolate
- + **True Convection Fan** - The true convection fan blows heat from the 800W heating element for more even heating and optimum cooking and baking results
- + **Tilt Panel** - Touch to tilt or flatten the control panel for a customizable cooking experience that offers flexibility and control of cooktop and oven settings
- + **Large Oven Capacity** - 4.55 cu. ft. oven capacity can accommodate multiple dishes at a time
- + **Air Fry** - Create healthier and mouthwatering meals using the air fry feature
- + **Multiple Cooking Modes** - Multiple cooking modes including bake, broil, roast with built-in meat probe, air fry and keep warm give you the flexibility you need to create masterful meals
- + **Storage Space** - Storage drawer provides additional storage space for cooking trays and other kitchen utensils.
- + **Hidden Bake Element** - Hidden bake element is positioned below the oven floor, creating a smooth oven surface so spills are easy to clean without maneuvering around heating elements.
- + **Self-Cleaning** - The self-cleaning cycle uses high temperature to power through soils in the oven cavity, requiring only a quick wipe down at the end of the cycle
- + **Halogen Oven Light** - The oven light illuminates your food for increased visibility

WARRANTY: 2 YEARS ON PARTS AND LABOR





OVEN PERFORMANCE

Oven Capacity	4.55 cu. ft.
Oven Features	Air Fry, Broiler in Oven, Hidden Bake Element, Oven Temperature Probe, Steam Clean, Self Clean
Oven Color	Grey
Oven Settings	Delay Bake/Delay Start, Proofing Mode
Lower Heating Element Power	3000W
Top Heater Power	3500W
Convection	True Convection with 800W Heating Element
Oven Light	1*40W Rear
Oven Racks	2
Rack Positions	6
Oven Rack Material	Chrome Plated
Baking Sheet	Fits 23" x 16" Baking sheet

ACCESSORIES

2 Oven Racks, 1 Broiler Pan, 1 Air Fry Tray

COOKTOP PERFORMANCE

Cooktop	Black Polished Plate Glass Ceramic Cooktop
Total Elements	5
[1] Front Left Element (Dual)	Outer Ring = 1500W Inner Ring = 1500W Total = 3000W
[2] Front Right Element (Dual)	Outer Ring = 1200W Inner Ring = 1800W Total = 3000W
[3] Rear Left Element (Single)	1200W
[4] Rear Middle Element (Single)	100W
[5] Rear Right Element (Single)	1200W

PRODUCT DIMENSIONS

Product Width	29 7/8"
Product Height	36" - 39"
Product Depth (including door)	26 1/2"
Adjustable Legs	3" Max
Cutout Width	30"
Cutout Height	36"
Cutout Depth	24"