

THOR
K I T C H E N[®]

INSTALLATION INSTRUCTIONS

**15 INCH INDOOR OUTDOOR
ICE MAKER**
TIM1511

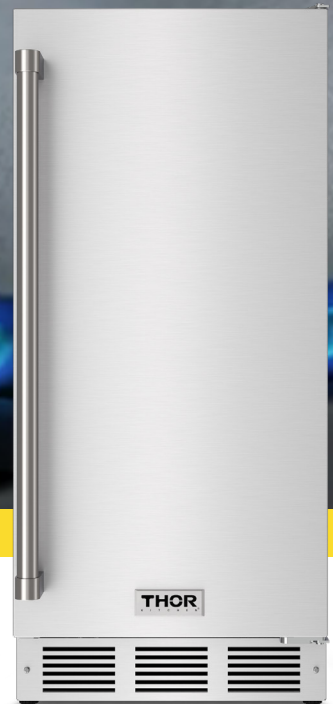


TABLE OF CONTENTS



BEFORE USING YOUR ICE MAKER.....	3
BUILT-IN CABINET DIMENSIONS.....	4
CONNECTING THE WATER SUPPLY.....	4
FILTER INSTALLATION/REPLACEMENT.....	5
ELECTRICAL CONNECTION.....	6
LEVELING THE UNIT.....	7
REVERSING THE DOOR.....	8
HANDLE INSTALLATION INSTRUCTION.....	10

BEFORE USING YOUR ICE MAKER

Check to be sure you have all the following parts:

- 1 Ice Scoop
- 1 Water Filter, Model#: WFIM0211
- 1 Water Line
- 1 Left Latch Mechanism Kit
- 1 Use & Care Manual

PLUMBING AND ELECTRICAL TIPS

- A licensed plumber must install this appliance.
- This appliance must be installed with all electrical and water connections in accordance with state and local codes.
 - This unit requires a standard electrical supply properly grounded in accordance with National Electrical Code and local codes and ordinances.
- The fuse (or circuit breaker) size should be 15 amperes for 115V.
 - The manufacturer recommends that you provide a separate circuit that services only your appliance. Use receptacles that cannot be turned off by a switch or pull chain.
- Plug the appliance into a grounded three-prong outlet. Do not remove the grounding prong, do not use an adapter, and do not use an extension cord.
- Do not kink, pinch, or damage the power supply cord between the ice machine and wall or cabinet.
- Before connecting the ice machine to the power source, **let it stand upright for approximately 4 hours**. Following this step will reduce the possibility of a malfunction in the cooling system brought on by handling during transportation.
- Ensure the unit is installed on a level surface, and verify that the drain line and water line are free from kinks or obstructions.

TIPS ON MOVING AND SETTING UP THE UNIT

- Use two or more people to move and install the appliance. Failure to do so can result in back or other injury.
- Remove the packing materials and clean the appliance before using it.

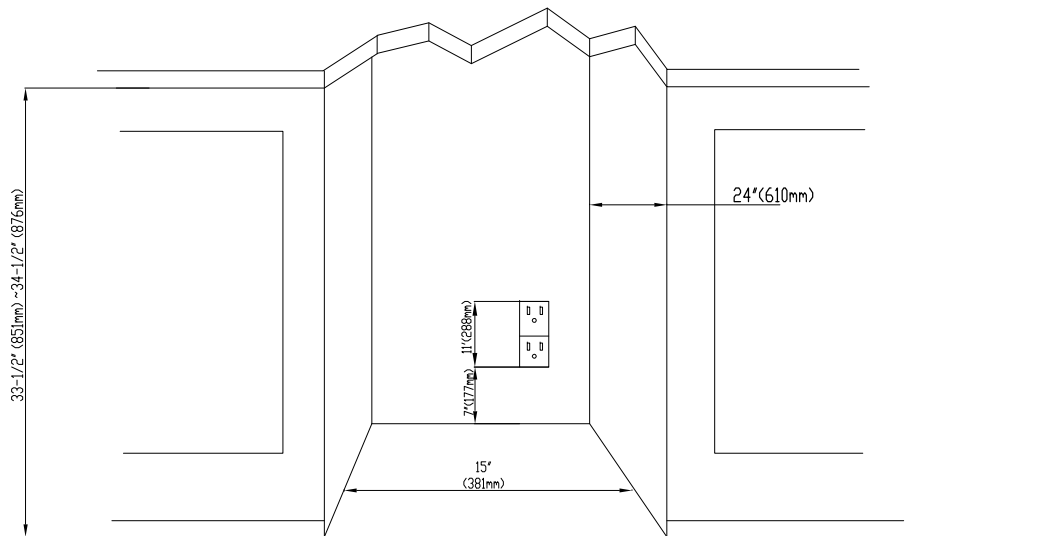
WATER SUPPLY TIPS

- Check for leaks after connecting the water line.
- The ice machine requires a continuous water supply with a minimum pressure of 20 psi (0.138 MPa) and a static pressure not to exceed 80 psi (0.55 MPa).
- The manufacturer recommends filtering the water. A water filter helps remove taste, odors and particles. Using softened water may result in white, mushy cubes that stick together. Avoid using deionized water.
- Using an RO (reverse osmosis) filter may reduce the water pressure below the minimum level required for the ice machine to operate properly.
 - Ensure that the water supply hose is not pinched, kinked, or damaged during installation.

RECESSED INSTALLATION

A built-in installation will allow you to install the ice machine under a counter or in a kitchen cabinet

as long as the required clearance space is provided. The appliance must be positioned to allow clearance for water, drain and electrical connections in the rear of the unit.



BUILT-IN CABINET DIMENSIONS

A built-in installation requires adequate clearance for a water line and electrical plug to ensure proper operation. A built-in unit is designed for zero clearance at the top and each side of the unit. The unit uses fan-forced condenser cooling, which requires air circulation through the lower section of the unit.

To ensure proper service access and ventilation, the unit should not have the grill openings covered. There are no additional requirements for venting at the top, side, or rear of the unit.

NOTICE

- Ensure that the air path for the grill remains unrestricted. Any restriction of air flow through the grill will disrupt normal operation of the unit, resulting in damage to components, and voids warranty.
- **Connect the unit to a potable water supply only.**

! WARNING

Electrical Shock Hazard

Always disconnect power at the source before working on the unit. Failure to unplug the clear ice machine could result in electrical shock or personal injury.

- Do not touch the power plug when your hands are wet.
- Never unplug the unit by pulling on the cord. Grasp the plug and pull out firmly.

CONNECTING THE WATER SUPPLY

1. Turn off the main water supply. Turn on the nearest faucet long enough to drain the water line.
2. Locate a 1/2" to 3/4" vertical cold-water pipe within 9 feet of the installation site.

3. Install a shut-off valve to the main water supply. If the water pipe has a plain piece of copper tubing, attach a 1/4" O.D. compression union to the tubing and remove the nut.
4. Thread the nuts of the supplied water supply hose to the tap and water inlet valve. Access to the water inlet valve is through the opening in the rear panel. Tighten firmly by hand, then one-half turn with a wrench.
5. Turn on the main water supply and tap. Check for leaks in the water supply connection. Tighten all connections.

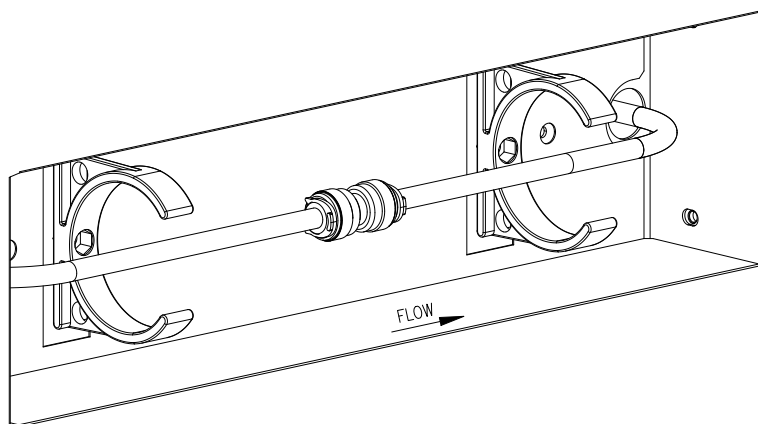
FILTER INSTALLATION/REPLACEMENT

The filter must be installed in accordance with manufacturer's recommended procedures and guidelines. To reduce the risk associated with property damage due to water leakage, you must read and follow the Installation Instructions and Use & Care Manual before installation and product operation. For replacement, contact your local dealer or the original point of purchase.

NOTICE

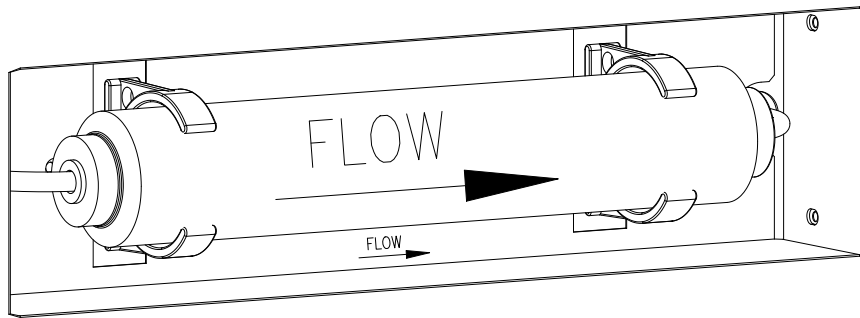
1. The filter must be replaced every 6 months, upon reaching the rated capacity, or if a significant reduction in water flow is observed.
2. Before installation or replacement, always connect the filter to the water supply separately first, and then run water for at least 5 minutes to purge the filter until the water line is clear.
3. Insert the tube to the end of the built-in quick-connectors, and always check for leaks before fixing the filter to clips.

1. Locate the thumb screw in the lower front of the ice machine, unscrew to take away the filter panel. The water tubes are connected by a joint connector so the ice machine CAN work without a filter.



DO NOT TURN ON THE WATER SUPPLY BEFORE THE FILTER INSTALLATION COMPLETE!

2. Take away the two clips on both ends of the joint connector, pull the tube out from it, and then insert the tubes to the filter's built-in 1/4" quick connectors, until the tube reaches the bottom (approx 1/2"). Turn on the water supply to check for leaks before fixing the filter to the clips.



BEWARE THE FLOW DIRECTION ARROW OF THE ICE MACHINE AND THE FILTER, MAKE SURE THEY MATCH!

3. Put the filter panel back and firmly tighten the thumb screws.

ELECTRICAL CONNECTION

Do not, under any circumstances, cut or remove the third (ground) prong from the power cord.

For personal safety, you must properly ground this appliance. The power cord of this appliance features a three-prong grounding plug that mates with a standard three-prong grounding wall outlet to minimize the possibility of electric shock hazard from the appliance. Have a qualified electrician check the wall outlet and circuit to make sure the outlet is properly grounded. It is your responsibility and obligation to have a standard two-prong wall outlet replaced with a properly grounded three-prong wall outlet.

Always plug the appliance into its own individual electrical outlet. The voltage rating of the outlet must match the rating label on the appliance. This match provides the best performance and prevents overloading the electrical circuits, which could cause a fire hazard from overheated wires.

Never unplug your appliance by pulling on the power cord. Always grip the plug firmly and pull straight out from the outlet.

Repair or replace immediately all power cords that have become frayed or damaged. Do not use a cord that shows cracks or abrasion damage along its length or at either end. When moving the appliance, take care not to damage the power cord.

If the supply cord suffers damage, have the manufacturer, its service agent, or similarly qualified persons replace the supply cord to avoid a hazard.

AVOIDING USE OF EXTENSION CORDS

Because of potential safety hazards under certain conditions, the manufacturer strongly recommends that you do not use an extension cord with this appliance.

DRAIN PUMP TIPS

! WARNING

Electrical Shock Hazard

Be sure the floor surfaces surrounding the appliance are dry before plugging in and removing the power cord to the outlet to prevent electrical shock.

Follow these steps to test the operation of the drain pump before final installation:

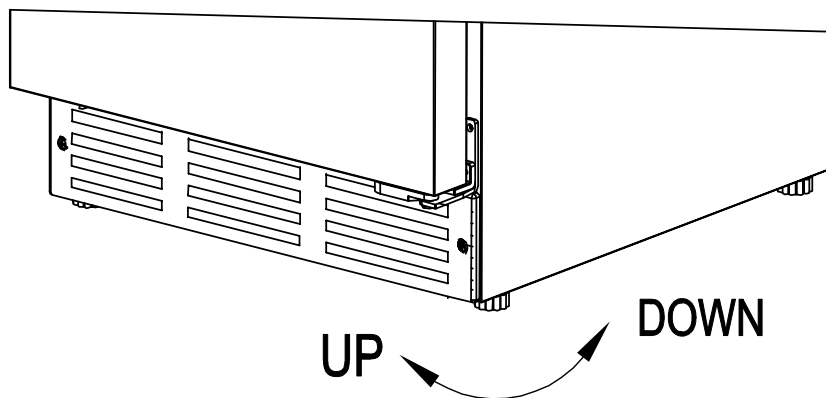
1. Check the power cord and make sure it is not plugged into the outlet.
2. Place the drain hose into a suitable container that can hold at least one gallon.
3. Pour one gallon of water into the ice storage bin.
4. Plug the power cord into a properly grounded, polarized electrical outlet.
5. The drain pump should start and pump the water into the container.
6. Unplug the power cord.

LEVELING THE UNIT

! CAUTION

The unit will be significantly heavier once it is operational and fully loaded.

Place your ice maker on a level surface that is strong enough to support the ice maker when it is fully loaded. Level your ice maker by adjusting the legs at the front of the ice maker. If necessary, raise or lower the unit by turning the four leveling feet on the bottom.



REVERSING THE DOOR

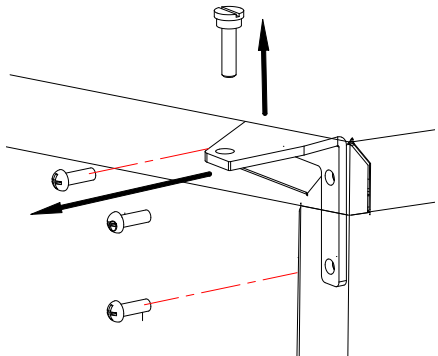
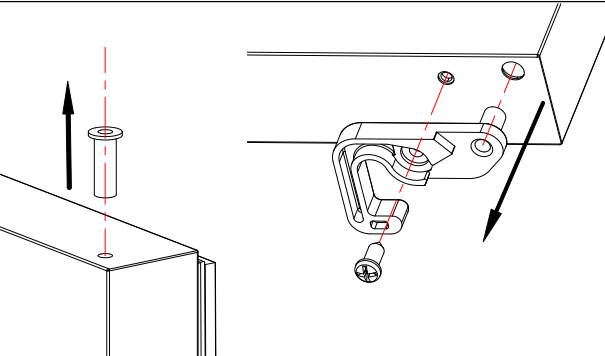
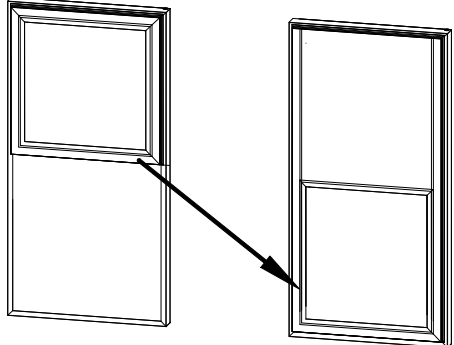
This appliance is designed with a reversible door feature, allowing the door to open from either the left or right side. It is pre-configured for left-side opening upon delivery. If you wish to change the door opening direction, please follow the provided instructions.

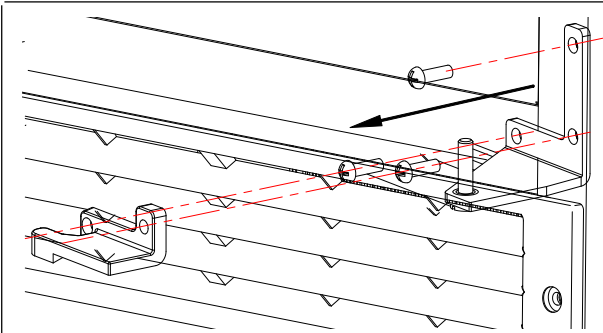
⚠ CAUTION

Before operating, check the power cord and make sure it is not plugged into the outlet.

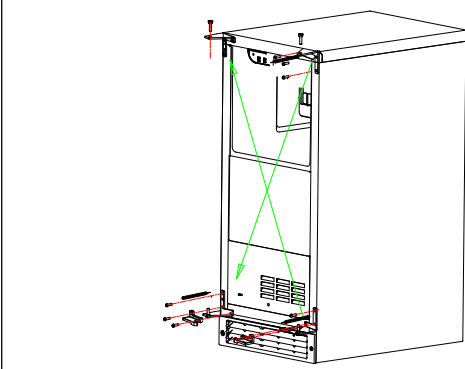
NOTE: THE HANDLE DOES NOT NEED TO BE REMOVED TO REVERSE THE DOOR

Tools needed: Flathead screwdriver, Phillips screwdriver

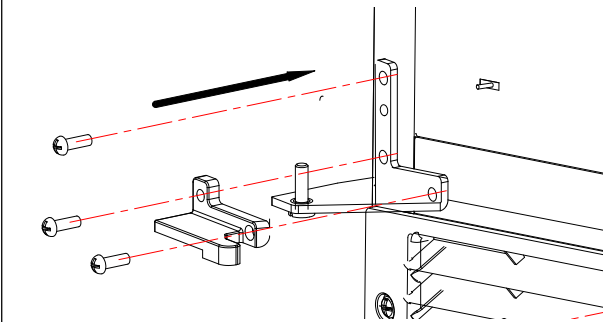
	<p>1. Use the Flathead screwdriver to unscrew the hinge pin from the top hinge, put aside, then should have an image to show this step.</p>
	<p>2. To reverse the door swing, rotate the door 180°. Begin by unscrewing and removing the right latch hook from the bottom of the door, then remove the pin sleeve from the top of the door. Next, insert the pin sleeve into the bottom of the door. Locate the left latch hook in the accessory bag and install it on the opposite side of the door.</p>
	<p>3. Carefully peel off the entire door gasket, starting from any corner, and remove the inserts from the opposite side of the door liner's mounting groove. Swap the insert positions, then attach the door gasket to the opposite side of the door. Finally, press the inserts into the exposed mounting grooves to secure them in place. The door gasket is now properly repositioned.</p>



4. Use a Phillips screwdriver to remove the bolts securing the top and bottom hinges, and uninstall both hinges. Detach the right latch block from the bottom hinge and retain the removed right latch kit for future use.



5. Swap the hinge positions by installing the bottom right hinge onto the top left of the cabinet and the top right hinge onto the bottom left of the cabinet. Use the plugs removed from the left side to cover the right-side mounting holes.

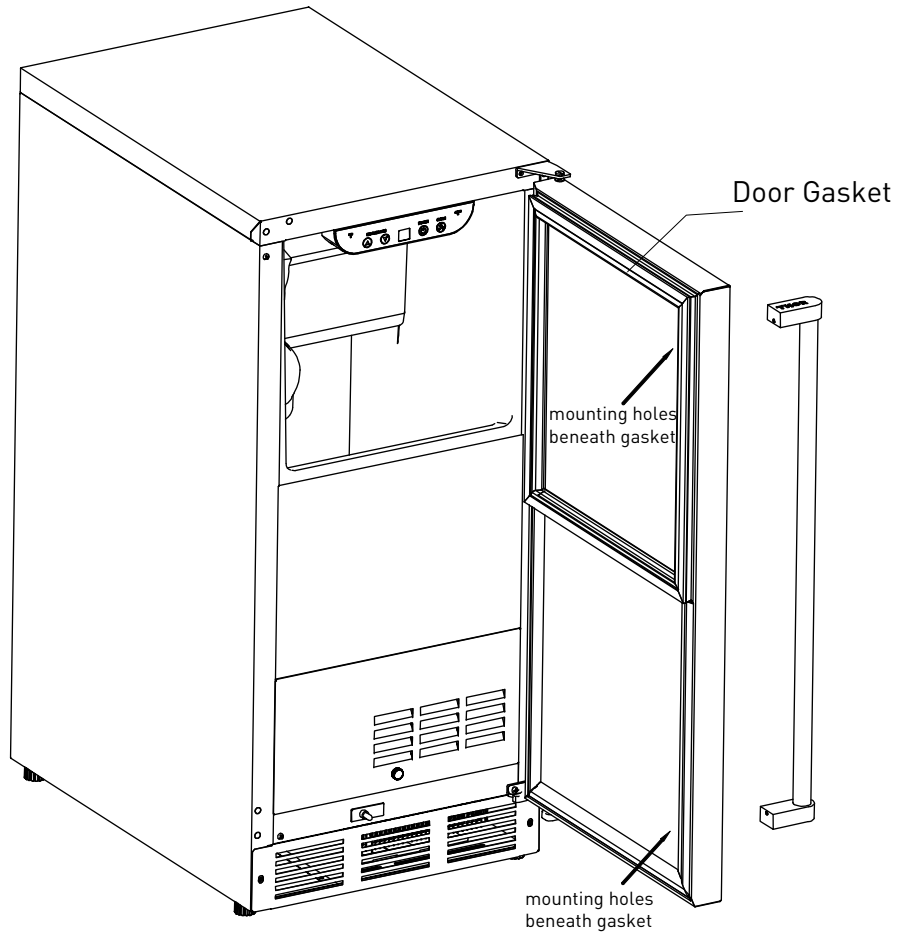


6. When installing the bottom left hinge, locate the left latch block in the accessory bag and attach it to the bottom hinge. Additionally, unscrew the hinge pin from the top left hinge to prepare for door installation.

7. Align the left latch block with the bottom hinge pin and carefully insert the door. Ensure the pin sleeve at the top of the door is properly aligned with the top hinge, then insert and securely tighten the hinge pin. The door reversal process is now complete.

HANDLE INSTALLATION INSTRUCTION

This appliance includes a stainless steel handle. To install the handle please follow the below instructions:



1. Gently pull back the door gasket to reveal the two mounting holes. The gasket can be easily removed by hand without the need for tools.
2. Align the handle with the screws installed. Use a Phillips head screwdriver to tighten the screws until the handle is securely fastened and sits flush against the door frame.(DO NOT over tighten as this will cause damage to the handle assembly).
3. Replace the door gasket to its original position.

1. Gasket
2. Phillips Head Screw
3. Phillips Head Screw Driver
4. Handle

We Stand Behind the Quality of Our Appliances.



Reliability and customer satisfaction are our top priorities. We offer a solid two-year warranty on both parts and labor. Enjoy professional-grade performance with the confidence that we've got you covered.

Warranty Registration Made Easy.

01 Scan the QR Code or visit thorkitchen.com/register-your-product.

02 Input your purchase and product information and select register.

03 That's it. You're all set. Enjoy!

Questions: service@thorinternational.com



WARRANTY



PARTS

