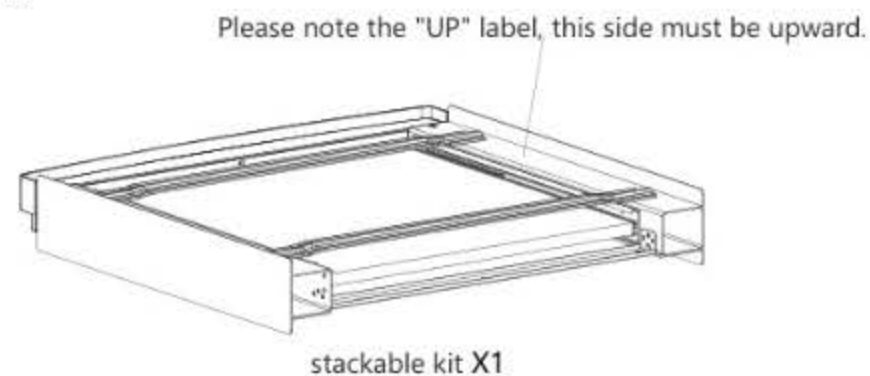
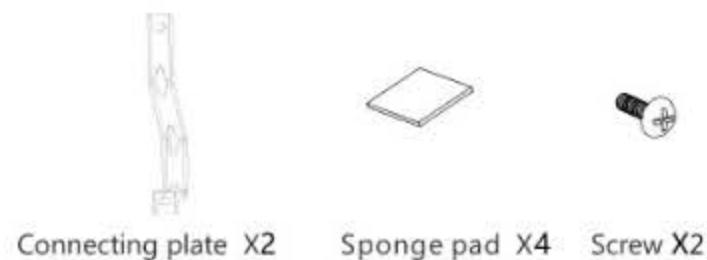


Dryer stackable kit installation instructions

- The dryer can be attached to the top of the washing machine with this stackable kit.
- It takes at least two people to complete the installation.
- Disconnect the washing machine and dryer before installation.
- The installation package contains the following parts

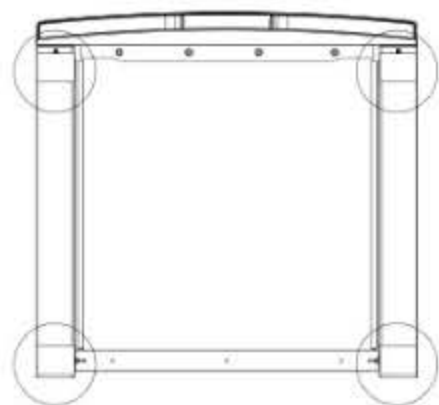


- Installation steps are as follows

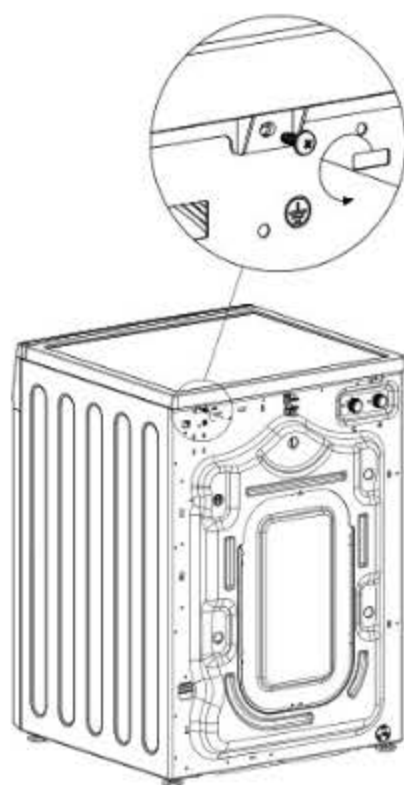
(the following is the schematic diagram, the actual object shall be subject to purchase)

Note: If the installed washing machine is not our brand products, please confirm whether there are superimposed installation conditions on site, after confirmation, the customer's written consent is required.

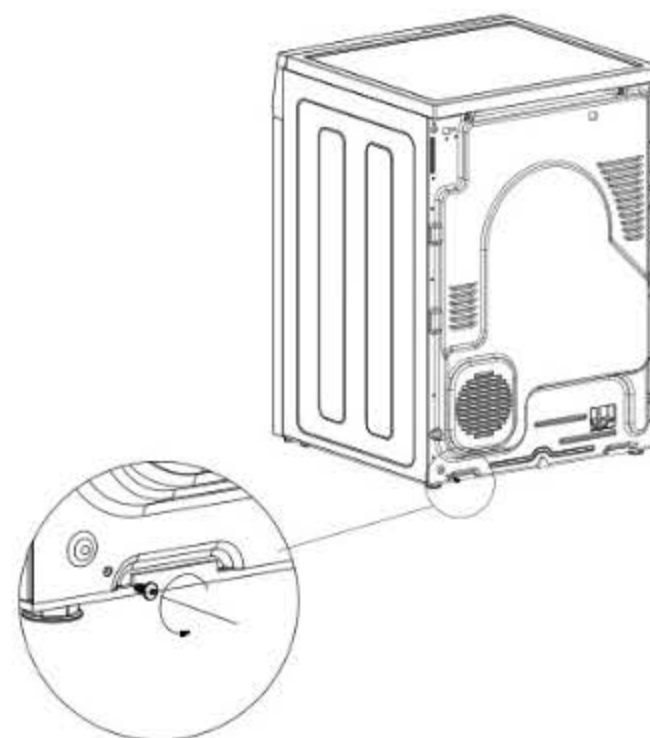
- 1** Tear off the sponge pad sticker in the installation package before use. Attach the sponge pad to the four positions circled on the lower surface of the connecting frame as shown in the picture as below :



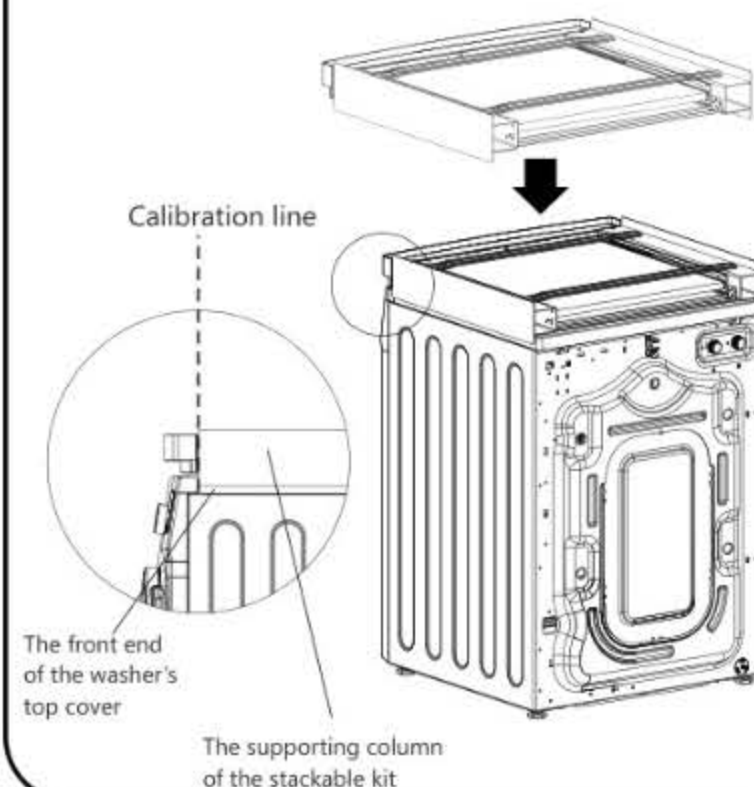
- 2** Loosen the two screws on the top cover of the washing machine.



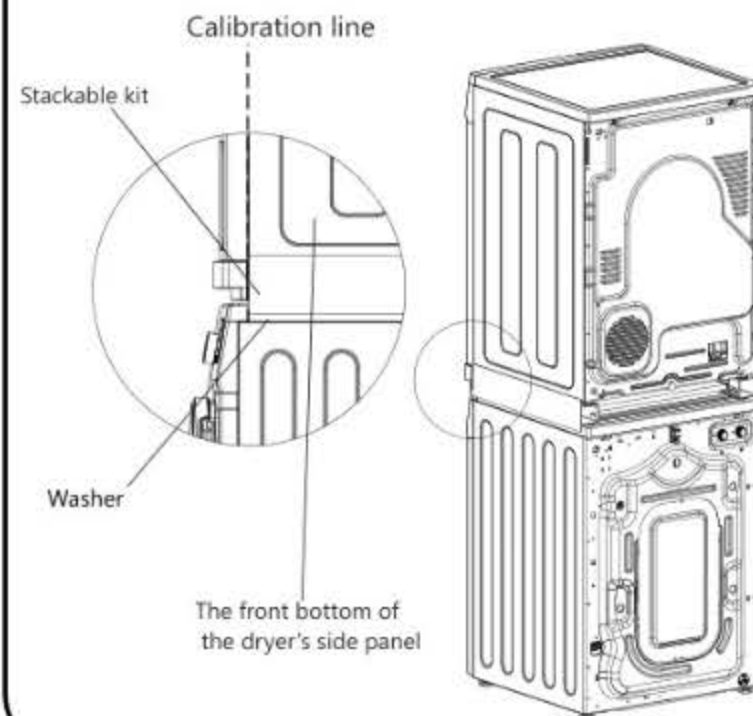
- 3** Loosen the two screws on the back cover of the dryer.



- 4** Place the stackable kit on the top cover of the washer, and pay attention to the direction of the stackable kit when placed.



- 5** Place the dryer on the stackable kit smoothly and pay attention to the location as shown in the below pictures.



- 6** Fix the left and right connecting plates on the top cover of the washing machine by using the two screws, and then use the two screws to fix the left and right connecting plates on the clothes dryer as shown in the below pictures.

