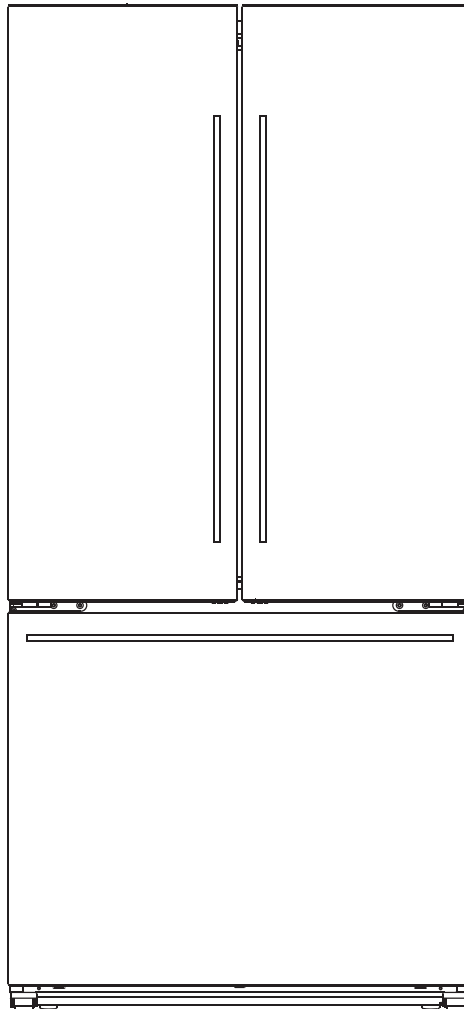


# TRUARCTIC

TARFD2231SS

31 Inch 22.1 cu.ft. French Door Refrigerator

## USER MANUAL



## Contents

**Thank you for choosing Ellipse. We are sure you will find your new refrigerator a pleasure to use. However, before you use the appliance, we recommend that you carefully read the instructions, which provide details about installing and using the product. Please keep this manual for future reference.**

Safety and warning information .....	01
Installing your new appliance.....	06
Description of the appliance.....	15
Display controls.....	16
Using your appliance.....	21
Cleaning and care.....	24
Helpful hints and tips.....	26
Troubleshooting.....	27
Disposal of the appliance.....	31
Warranty information .....	32

## Safety and warning information

For your safety and correct usage before installing and first using the appliance, read this user manual carefully, including its hints and warnings. To avoid unnecessary mistakes and accidents, it is important to make sure that all people using the appliance are thoroughly familiar with its operation and safety features. Save these instructions and make sure that they remain with the appliance if it is moved or sold, so that anyone using it throughout its life, will be properly informed on its usage and safety notices. For your safety and to avoid property damage follow the precautions contained in this user's instructions as the manufacturer will not be held responsible for damages caused by omission.



### WARNING

- Do not use mechanical devices or other means to accelerate the defrosting process, other than those recommended by the manufacturer.
- Do not damage the refrigerant circuit.
- Do not use electrical appliances inside the food storage compartments of the appliance, unless they are of the type recommended by the manufacturer.
- When disposing of the appliance do so only at an authorized waste disposal center. Do not expose to flame.
- Connect to potable water supply only.
- If the POWER CORD is damaged, it must be replaced by the manufacturer, its service agent or similarly qualified person in order to avoid a hazard.
- Keep ventilation openings in the appliance enclosure or in the built-in structure, clear of obstruction.
- Do not store explosive substances such as aerosol cans with a flammable propellant in this appliance.

## Safety and warning information



### General safety and daily use

**It is important to use your appliance safely. We recommend that you follow the guidelines below.**

**Store any food in accordance with the storage instructions from the manufacturer.**

- This appliance is intended to be used in household and similar applications such as
  1. staff kitchen areas in shops, offices and other working environments;
  2. farm houses and by clients in hotels, motels and other residential type environments;
  3. bed and breakfast type environments;
  4. catering and similar non-retail application.
- Don't try to repair the appliance yourself. It is dangerous to alter the specifications or modify this product in any way. Any damage to the power cord may cause a short circuit, fire or electric shock.
- Don't place too much food directly against the air outlet on the rear wall of both the refrigerator and freezer compartment, as it may affect important air circulation.
- Don't place hot items near the plastic components of this appliance.
- Frozen food must not be refrozen once it has been thawed out.
- Don't store bottled or canned drinks (especially carbonated drinks) in the freezer compartment. Bottles and cans may explode.
- Use caution consuming popsicle or ice cubes straight from the freezer as this can cause freezer burn to the mouth and lips.
- In order to sense the temperature and humidity near the appliance and make the appliance run better, temperature and humidity sensor are added outside the appliance.

## Safety and warning information



### Safety for children and other vulnerable people

- This appliance is not intended for use by persons (including children) with reduced physical, sensory or mental capabilities, or lack of experience and knowledge, unless they have been given supervision or instruction concerning use of the appliance by a person responsible for their safety. Children should be supervised to ensure that they do not play with the appliance.
- Keep all packaging away from children to avoid risk of suffocation.
- Protect children from being scalded by touching the compressor at the rear bottom of appliance.
- Do not place items on top of the appliance as this could cause injury should they fall off.
- Never allow children to play with the appliance by hanging or standing over or on the doors, racks, shelves and drawers etc.



### Electrical Safety

**To avoid the risks that are always present when using an electric appliance, we recommend that you pay attention to the instructions below.**

- Unpack and check through the appliance. Should any damage be evident, don't plug in the appliance and immediately contact the store where you purchased it. Keep all packing materials in this case.
- We recommend that you wait 4 hours before connecting the appliance to allow the refrigerant to flow back into the compressor.
- The appliance must be connected to a single phase alternating current of 115V/60Hz. If the voltage fluctuates exceeding the upper limit, A.C. automatic voltage regulator of more than 350W should be a the refrigerator for safety use.
- The power plug must be accessible when the appliance is installed.

## Safety and warning information



### Electrical Safety

- This appliance must be grounded.
- This appliance is fitted with a plug, in accordance with local standard. The plug should be suitable for use in all houses fitted with sockets in accordance with current specifications.
- If the fitted plug is not suitable for your socket outlets, contact a qualified, registered electrician to change the outlets .
- Do not use extension cords or multiple sockets which could cause overloading of wiring circuits and could cause a fire. Always plug your appliance into its own individual electrical socket which has a voltage rating that matched the rating plate.
- Make sure that the plug is not squashed or damaged. Otherwise, it may cause short circuit, electric shock or overheat and event cause a fire.
- Do not insert the power plug if the socket is loose, there is a risk of electric shock or fire.
- Switch off the appliance and disconnect it from the main power before you clean or move it.
- Never unplug the appliance by pulling on the electrical cord, Always grip the plug firmly and pull straight out from the socket to prevent damaging the power cord.
- Do not operate the appliance without the cover of the interior light.
- Any electrical component must be replaced or repaired by a qualified electrician or authorized service engineer. Only genuine replacement parts should be used.
- Do not use electrical appliances such as ice cream makers inside the food storage compartments of the appliance unless they are approved by the manufacturer.

## Safety and warning information



### Electrical Safety

- To avoid eye injury, do not look directly into the LED light located in the refrigerator compartment. If it is not functioning correctly, consult a qualified, registered electrician or replace it in accordance with the instructions given in the “Cleaning and Care” chapter.



### Refrigerant

- Refrigerant isobutane (R600a) is contained in the refrigerant circuit of this appliance. During transportation and installation of the appliance, make sure that none of the components of the refrigerant circuit become damaged. The refrigerant (R600a) is flammable.



### Caution: Risk of Fire

- Don't store products which contain flammable propellants (e.g. spray cans) or explosive substances in the appliances.

#### **Should the refrigerant circuit be damaged:**

- Avoid open flames (candles, lamps etc.) and other sources of ignition.
- Thoroughly ventilate the room in which the appliance is situated.



### WARNING

**To Risk of child entrapment. Before you throw away your old refrigerator or freezer:**

- Take off the doors.
- Leave the shelves in place so that children may not easily climb inside.

## Installing your new appliance

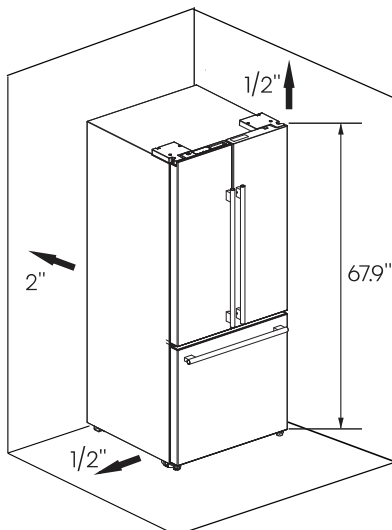
Before using the appliance for the first time, you should read the following tips.

### Ventilation of appliance

In order to improve efficiency of the cooling system and save energy, it is necessary to maintain good ventilation around the appliance for the dissipation of heat. For this reason, sufficient clear space should be available around the refrigerator.

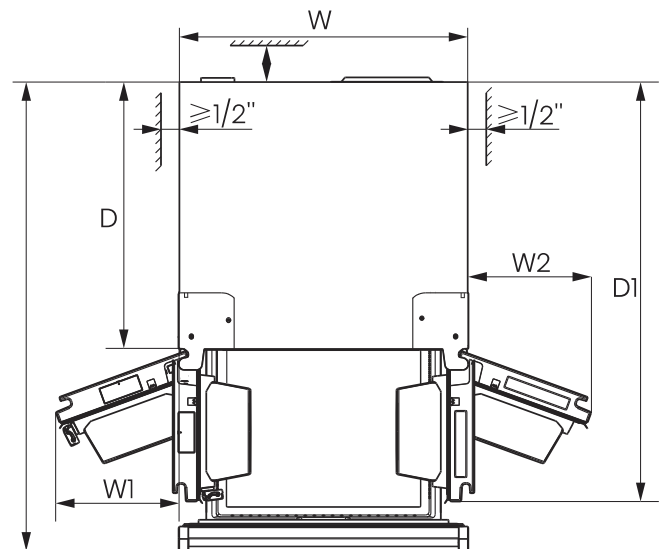
#### Suggestion:

We recommend at least 50mm (2") of clearance from the back to the wall, at least 12mm (1/2") clearance from its top, at least 12mm (1/2") from its side to the wall and a clear space in front to allow the doors to open 160°. As shown in the following diagrams.



Relevant information (inch)

W	W1	W2	D	D1	D2
31.1	13.3	13.3	32.2	45.3	50.6



### Note

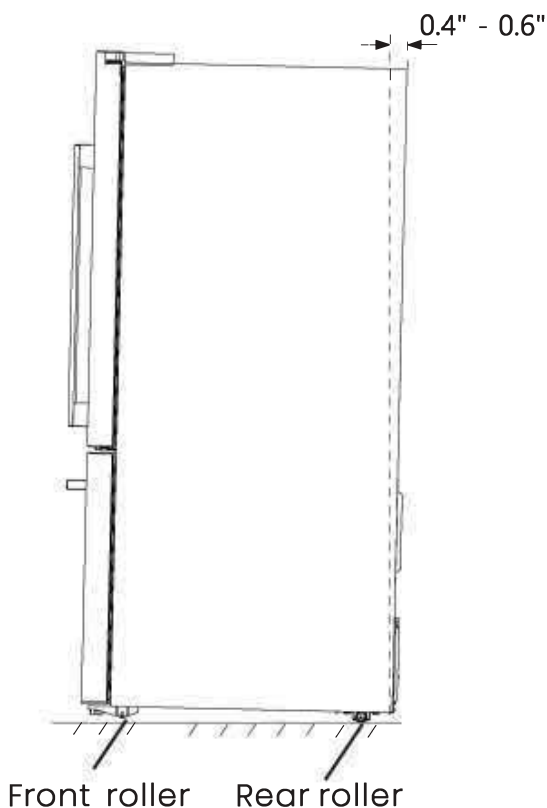
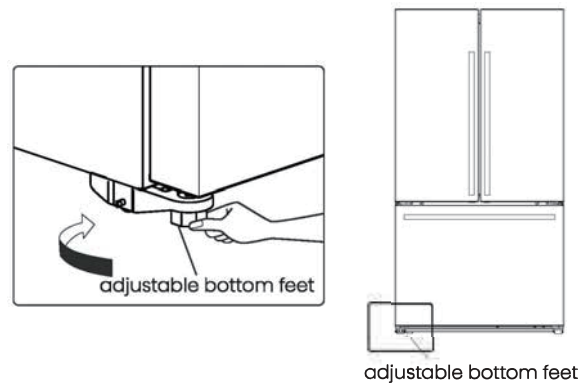
This appliance performs well in the environment temperature from 12.8°C (55°F) to 43.3°C (110°F). It may not work properly if being left at a temperature above or below the indicated range for a long period.

install your appliance in a dry place to avoid high moisture damage. Keep the appliance out of direct sunlight, rain or frost. Place the appliance away from heat sources such as stoves, fires or heaters.

## Installing your new appliance

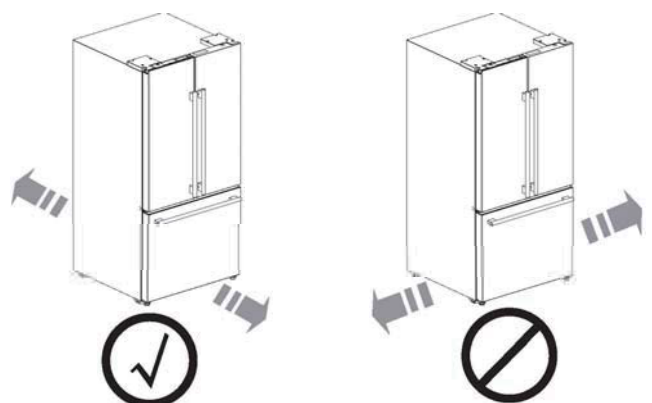
### Leveling of appliance

- For sufficient leveling and air circulating in the lower rear section of the appliance, the bottom feet may need to be adjusted. Please use a suitable spanner.
- To allow the doors to self-close, tilt the unit backwards about 15mm or 0.5° by turning the adjustable feet.
- Whenever you want to move the appliance, remember to turn the feet back up, so that the appliance can roll freely. Reinstall the appliance when relocating.



### Warning




- For proper installation, this refrigerator must be placed on a level surface of hard material that is the same height as the rest of the flooring. This surface should be strong enough to support a fully loaded refrigerator.
- The rollers, which are not castors, should be only used for forward or backward movement. Moving the refrigerator sideways may damage your floor and the rollers.



## Installing your new appliance

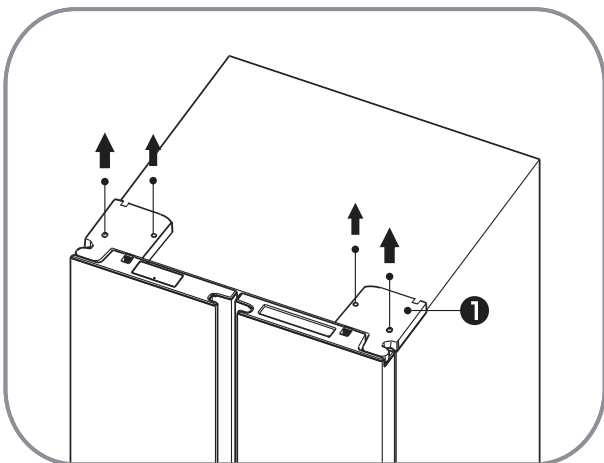
In case your home access door is too narrow for the refrigerator to pass through, remove the refrigerator doors and drawers.

Tools you will need(Not provided):

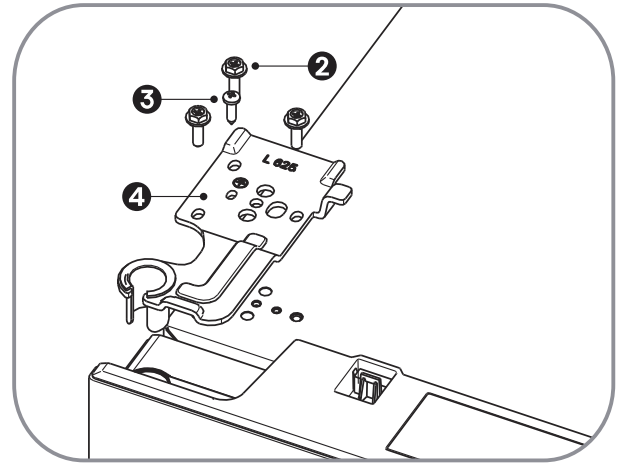
	
Allen Wrench (5/32", 4mm)	Wrench (5/16", 8mm)
	
Phillips Screwdriver	

### Refrigerator Door Removal

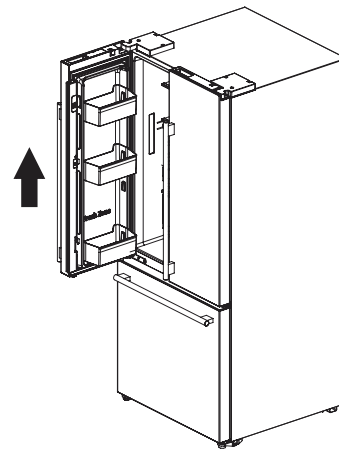
1. With the door closed, remove the 4 screws holding the top cover (1) with Phillips(+) screwdriver, and then remove the top cover.



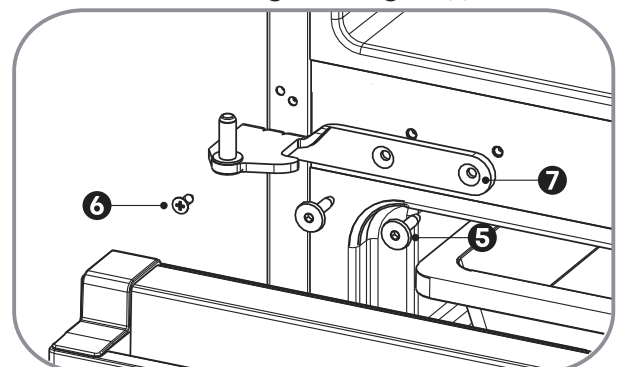
2. Remove the screws(2) fixed on the upper hinges with a wrench(5/16", 8mm) and the ground screw(3) attached to the hinge with Phillips(+) screwdriver. Remove the upper left and right door hinges(4).



3. Use both hands to open the door more than 90°. Lift it up and take it off.



4. Remove the screws(5) fixed on the middle hinges with a allen wrench(5/32", 4mm) and the screw(6) fixed on the middle hinges with Phillips(+) screwdriver. Remove the middle left and right hinges(7).






## Installing your new appliance

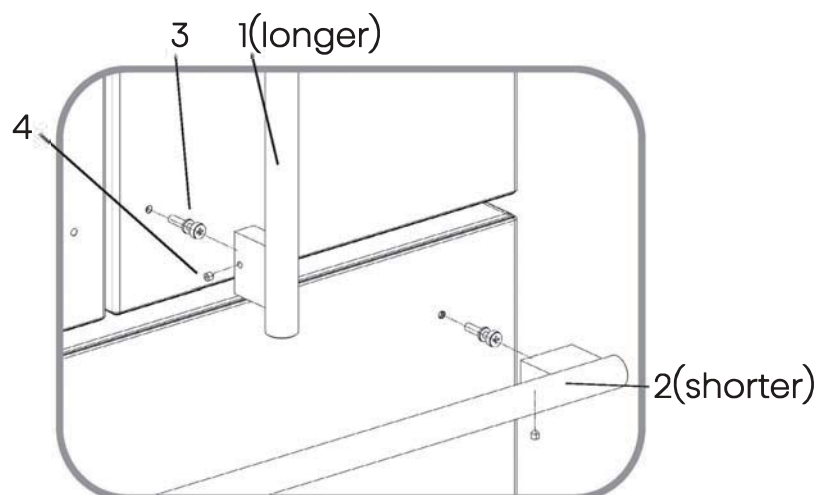
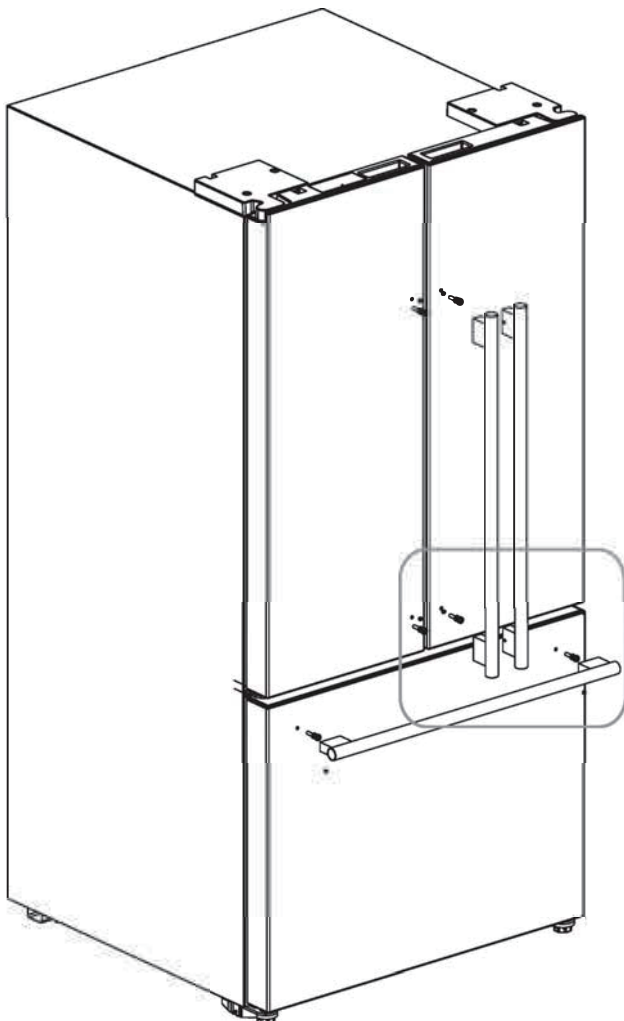
### Installing the handles

Before you use the appliance, you will have to install the handles provided. The longer two are the fridge door handles, the shorter one is the freezer handle. Please follow procedures below.

- install the handle supports 3 on the doors.
- Place the handles 1 and 2 on the doors by fitting the handle over the handle supports 3.
- Fasten the screws 4 ( provided with handle) using the 5/32" Allen wrench (provided in the plastic bag).

### Tools you will need:

Not provided	
	
Cross screwdriver	screwdriver
Additional parts (in the plastic bag)	
	



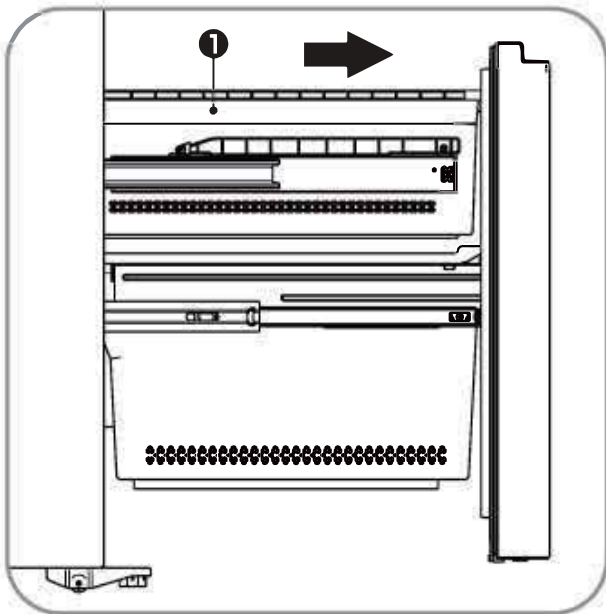
## Installing your new appliance

### Freezer Door Removal

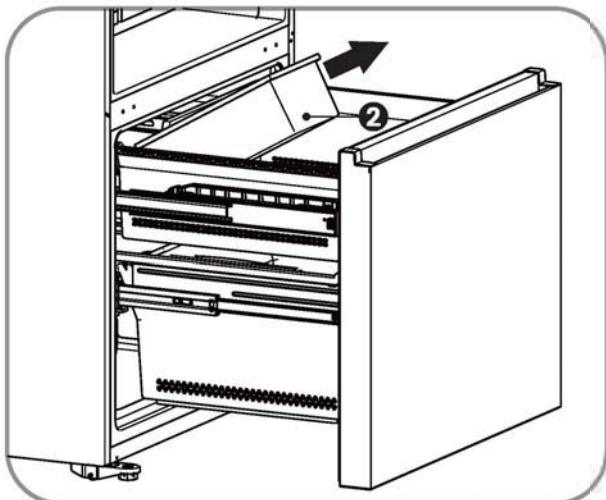
The freezer compartment comes with an upper drawer with a ice box and a lower drawer.

Follow the below steps to disassemble the drawers and door.

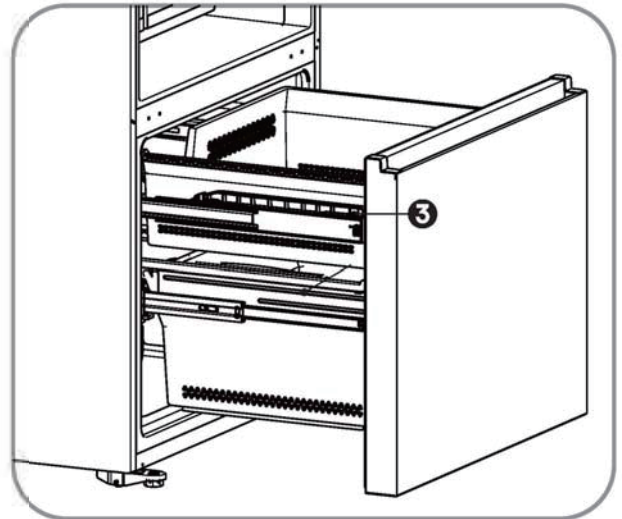
1. Pull out the freezer door and the upper drawer (1) to the extended position.



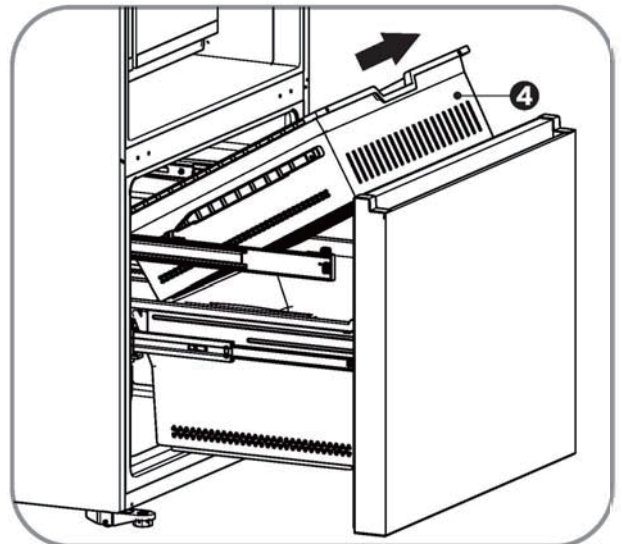
2. Take out the ice storage box (2).



3. Remove the 2 screws (3) fixed on the upper drawer using a Phillips(+) screwdriver.

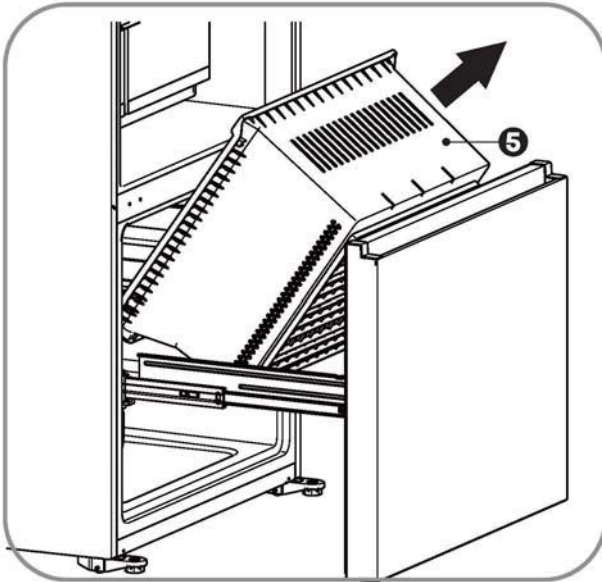


4. Take out the upper drawer by lifting it up from the rail system.

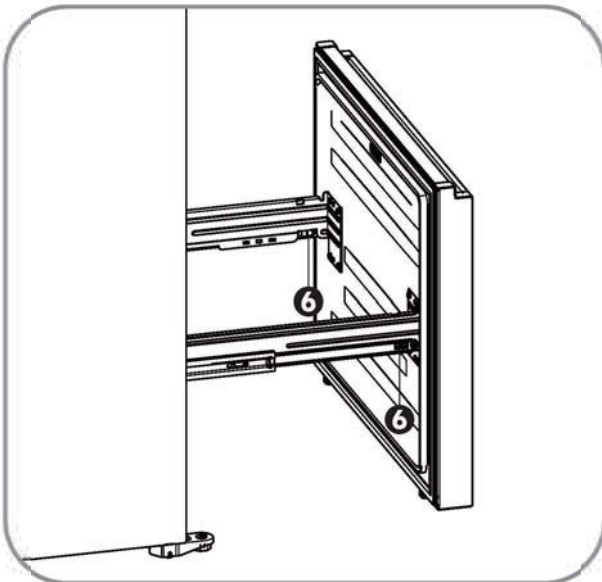


## Installing your new appliance

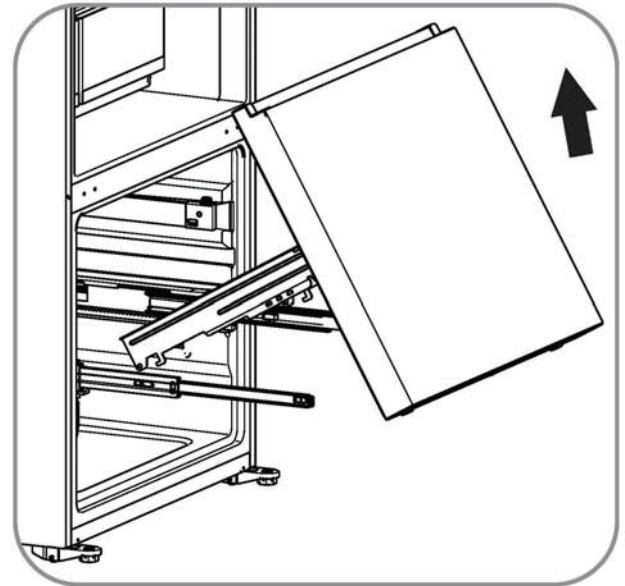
5. Take out the lower drawer(5) by lifting it up.



6. Remove the 2 screws(6) holding the support with Phillips(+) screwdriver.



7. Remove the freezer door by lifting it up.



### Re-assembling the doors

To reattach the doors and drawers after you have moved the appliance to its final location, reassemble the parts in reverse order.

### Installing the water lines

In order for the ice maker to operate properly, a water line is required. The water connection must be made by a qualified plumber. If the refrigerator is installed in an area with low water pressure (below 30psi/207KPa), you can install a booster pump to compensate for the low pressure.

-the maximum inlet water pressure is 700kPa;

-the minimum inlet water pressure is 207kPa.

## Installing your new appliance

### Warning

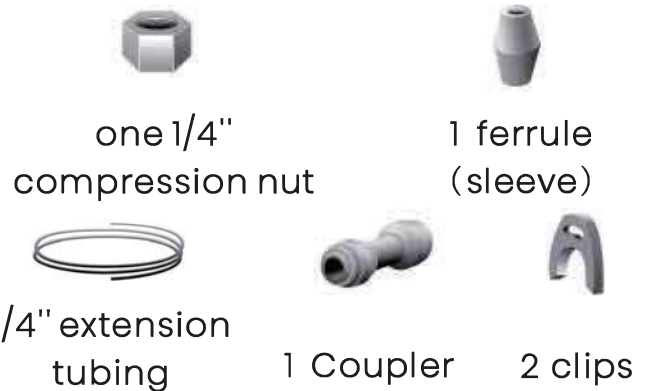
- The water connection must be made by a qualified plumber. Operation outside the water pressure range may cause malfunction, severe and damaging water leaks.
- Under normal conditions, a 200cc (5.75 oz.) cup can be filled in about 10 seconds.
- If the refrigerator is installed in an area with low water pressure (below 30psi), you can install a booster pump to compensate for the low pressure.
- If you turn the refrigerator on before the water is connected, turn off the ice maker.

### What you need to have before you start

1. Power drill and 1/4" drill bit.
2. 1/2" or adjustable wrench.
3. Flatblade and Philips-head screwdrivers.



Saddle-type shut off valve (1/4" outlet)



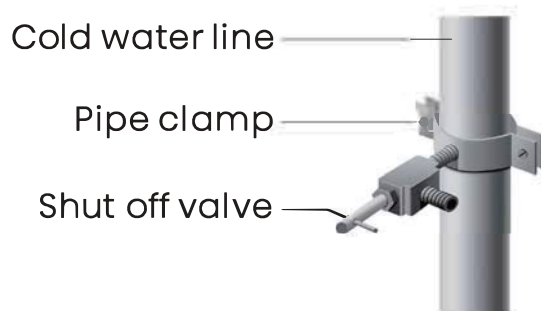
4. You will need to purchase several items to complete this connection. You should find these items at a local hardware store.

### Connecting to the water supply line

1. First, shut off the main water supply.

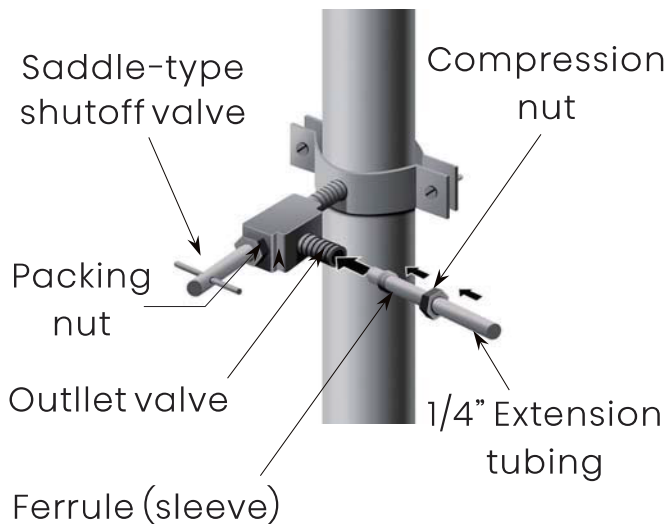


2. Using the power drill and a 1/4" drill bit drill into the cold-water line and connect the saddle-type shutoff valve.



## Installing your new appliance

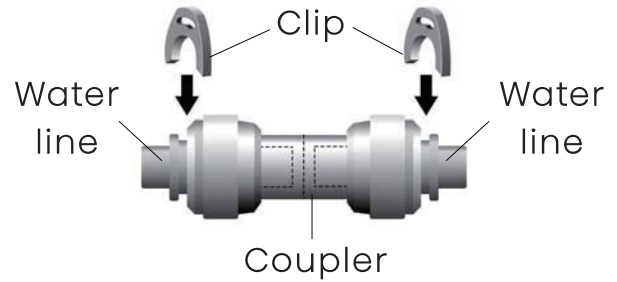
3. Connect 1/4" extension tubing to shutoff valve outlet.



4. Flush the tubing. Turn the main water supply on and flush out the tubing until the water is clear. Then, shut the water off at the water valve after about a quart of water has flushed through the tubing.



5. Connect the extension tubing line with the line on the back of the fridge with the coupler. Fully insert the extension tubing into the coupler, and then insert the clip onto the coupler to lock up the tubing. Do the same with the other end. After both of clips are inserted, check the line to make sure it is held firmly by the clips.



### Note

Ensure that the water line does not get pinched or bent when installing. This can result in improper water flow through the line and will affect the functionality of the fridge.

6. Turn the water on and check for leakage.



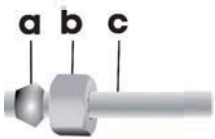
### Caution

Check to see if leaks occur at the water line connections.

## Installing your new appliance

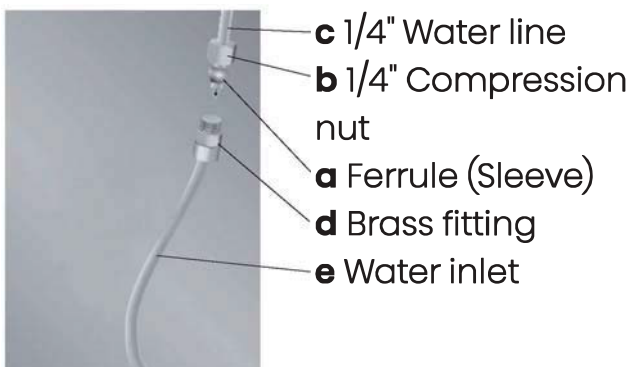
### Connecting to the water supply line

1. You may need to purchase below items to complete this connection. And you may find these items sold as a kit at a local hardware store.



- a** Ferrule (Sleeve) -1 pcs
- b** 1/4" Compression nut - 1 pcs
- c** 1/4" Water line - 1 pcs

2. Unplug refrigerator or disconnect power.
3. Close shut off value.
4. Thread a 1/4 " compression nut and ferrule (sleeve) onto the free end and of 1/4" water line.
5. Insert the free end and of the 1/4" water line into the brass fitting attached to the water inlet on the back of the refrigerator.
6. Slide the 1/4" compression nut over the ferrule (sleeve) and screw the 1/4" compression nut onto the brass fitting.



7. Confirm 1/4" water line is secure by gently pulling on it.

8. Turn on water supply and check for leaks, and correct any leaks.

### Note

- Use only the new tubing supplied with the refrigerator. Old tubing should not be used.
- After connected to the water supply line, please open the water valve to flush the filter for 5 minutes before use. The initial dark discoloration of water is normal.
- When you connect the water line to the appliance and press the lever of the dispenser for the first time, it is normal that there will be a sound of exhaust coming out from the appliance.

### Caution

The water line must be connected to the cold water pipe. If it is connected to the hot water pipe, it may cause the purifier to malfunction. Avoid contamination of pipes during installation. Connect to potable , drinking water supply only.

## Description of the appliance

### View of the appliance



1. Left refrigerator door
2. Right refrigerator door
3. Refrigerator door handle
4. Freezer door handle
5. Freezer door
6. Refrigerator top LED light
7. Refrigerator door racks
8. Glass shelf
9. Glass shelf (half width)
10. Refrigerator side LED light

11. Multifunction drawer cover
12. Fruit & Vegetable drawer cover
73. Ice maker
74. Freezer upper tray
15. Freezer lower drawer
16. Adjustable bottom feet

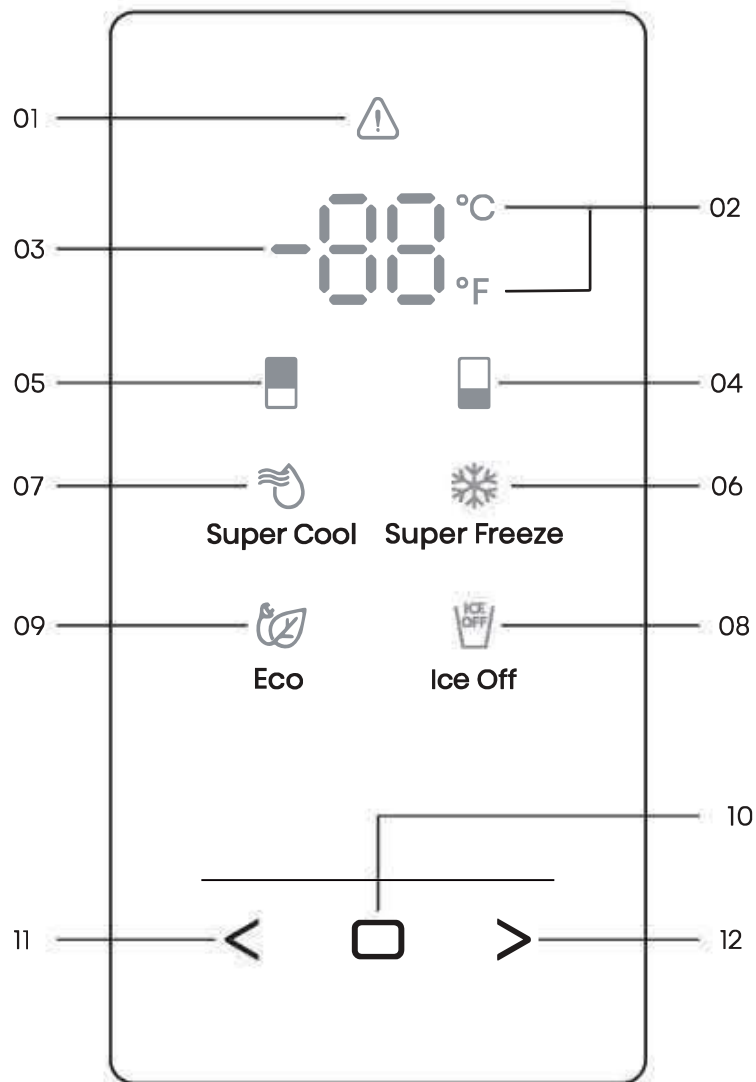
### Note

Due to constant development of our products, your refrigerator may be slightly different from this instruction manual, but its functions and usage remain the same.

To get the best energy efficiency of this product, please place all shelves, drawers in the suggested position as the illustration above.

## Display controls

- Use your appliance according to the following features, your appliance has the corresponding functions and modes as the display panel showed in the below image.



- 01. Alarm Icon
- 02. Celsius and Fahrenheit Indicator
- 03. Temperature Area
- 04. Freezer Compartment Icon
- 05. Fridge Compartment Icon
- 06. Super Freeze Icon

- 07. Super Cool Icon
- 08. Ice Off Icon
- 09. Eco Icon
- 10. Confirm Control
- 11. Function Selector Control: Left Control
- 12. Function Selector Control: Right Control

## Display controls

### Note



#### Note:

- Once the appliance is powered on, all icons on the display panel will be lit for 3 seconds and a signal will sound.
- All the icons will go off on the condition that no keys are touched and that the doors remain closed for one minute.
- The control panel will light up when the door is open or when you touch any button.
- Setting the refrigerator running at high temperature will accelerate food decomposition. For optimum food preservation, we recommend that when starting the refrigerator for the first time, the fridge temperature be set to 39°F (4°C), and that of the freezer to 0°F (-18°C).





#### Caution!

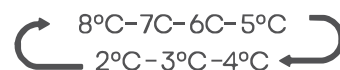
- The temperature shown represents the average temperature of the whole refrigerator cabinet. Temperatures inside each compartment may vary from those displayed on the panel, depending on how much food stored and where the refrigerator is located.

### “Switching Celsius and Fahrenheit”

1. Press “<” or “>” repeatedly until the Celsius/Fahrenheit Indicator “°C” or “°F” blinks.
2. Press the Confirm Control “” for the first time, and “°C” or “°F” will always be on. After that, each time you press the Confirm Control “”, the temperature will switch between °C and °F, and the temperature setting value of the corresponding unit will be displayed in the temperature area.

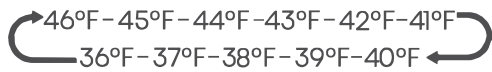
### “Fridge temperature control”

1. Press “<” or “>” repeatedly until the Fridge icon “” blinks.
2. Press the Confirm Control “” for the first time, and the Fridge icon “” will always be on. After that, press the Confirm Control “” repeatedly to cycle through the available temperature settings, from 8°C to 2°C if you have set temperature type to Celsius.



## Display controls





If you have set the temperature type to Fahrenheit, the temperature settings will cycle from 46°F to 36°F.

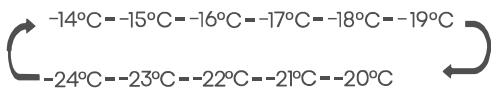


**Note:** Each press of the button, the temperature drops one degree.



### “Freezer temperature control”

1. Press “<” or “>” repeatedly until the Freezer icon “” blinks.
2. Press the Confirm Control “” for the first time, and the Freezer icon “” will always be on. After that, press the Confirm Control “” repeatedly to cycle through the available temperature settings, from -14°C to -24°C if you have set temperature type to Celsius.



If you have set the temperature type to Fahrenheit, the temperature settings will cycle from 7°F to -11°F






**Note:** Each press of the button, the temperature drops one degree.



### “Super Cool”

The Super Cool feature helps to keep food stored in the refrigerator at the setting temperature during periods of high usage, large grocery loads, or temporarily warm room temperatures. The Super Cool feature lowers the temperature in the fridge compartment to 36°F(2°C) to cool food.

1. Press “<” or “>” repeatedly until the Super Cool icon “” blinks.
2. Press the Confirm Control “” to turn the Super Cool function on or off. When the Super Cool function is turned on, the “” icon lights.
3. When setting fridge temperature, the Super Cool function will turn off and the temperature setting will revert back to the previous setting.

**NOTE:** Super Cool will automatically turn off after 6 hours.



### “Super Freeze”

This Super Freeze feature helps to keep the food stored in the freezer as the setting temperature during periods of high usage, large grocery loads, or temporarily warm room temperatures. The Super Freeze feature lowers the temperature in the freezer compartment to -11°F (-24°C) to freeze the food faster.

## Display controls

1. Press “<” or “>” repeatedly until the Super Freeze icon “❄️” blinks.
2. Press the Confirm Control “□” to turn the Super Freeze function on or off. When the Super Freeze function is turned on, the “❄️” icon lights.
3. When setting freezer temperature, the Super Freeze function will turn off and the temperature setting will revert back to the previous setting.

NOTE: Super Freeze will automatically turn off after 52 hours.

### Caution!

When you select the Super Freeze function, ensure there are no bottled or canned drinks (especially carbonated drinks) in the freezer compartment. Bottles and cans may explode.



### “Eco”

The Eco feature makes the refrigerator worked in an energy saving mode which is useful for reducing energy consumption when you are away.


1. Press “<” or “>” repeatedly until the Eco icon “🌿” blinks.
2. Press the Confirm Control “□” to turn the Eco function on or off. When the Eco function is turned on, the “🌿” icon lights.
3. When setting fridge or freezer temperature, the Eco function will turn




off and the temperature setting will revert back to the previous setting.

**NOTE:** When the Eco function is on, the fridge temperature automatically switches to 43°F (6°C) and the freezer temperature automatically will witch to 1°F (-17°C).




### “Ice Control”



This “” icon shows the condition of the ice maker function.

1. Press “<” or “>” repeatedly until the Ice Control icon “” blinks.
2. Press the Confirm Control “□” to turn the Ice Maker function on or off. When the Ice Maker function is turned on, the “” icon is off; When the Ice Maker function is off, the “” icon is on.



### “Door Open Alarm”

If the fridge door is opened for longer than 2 minutes, the control panel will display “dr”, the “” icon will blink and the buzzer will sound 3 times every minute for 8 minutes.

Pressing and holding “□” and “>” keys at the same time for three seconds during door alarm, the “” icon will be on and buzzing will stop. Closing the fridge door, the “” icon will go off and buzzing will stop.

## Display controls

### Demo mode

Demo mode is for store display, and it prevents the refrigerator from generating cool air. In this mode, the refrigerator may seem like it is working but it will not create cool air.

In Demo mode, the temperature area will show “OF”. To switch off Demo mode, press and hold “<” and “>” keys at the same time for 5 seconds and the buzzer will sound.

**NOTE:** The Demo Mode stays on even if the refrigerator powers off. If a consumer enter the Demo mode unintentionally , they should exit as soon as possible, since the refrigerator will not cool in this mode, which will cause the food to go bad.

## Using your appliance

This section tells you how to use the unit's key features. We recommend that you read through them carefully before using the appliance.

### 1. Using your refrigerator compartment

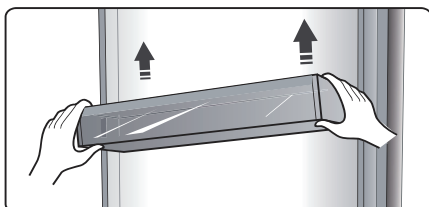
The refrigerator compartment is intended for the storage of food. Food inside should be packed in order to avoid losing moisture or flavor permeating onto other foods.

#### Caution

Never close the refrigerator door while the shelves, crisper and/or telescopic slides are extended. It may damage both them and the refrigerator.

### Door racks

The refrigerator compartment comes with door racks, which are suitable for the storage of eggs, canned liquid, bottled drinks and packed food. They can be placed at different heights according to your needs. But do not place too many heavy things in racks. Before you lift up the door shelf vertically, please take the food out.

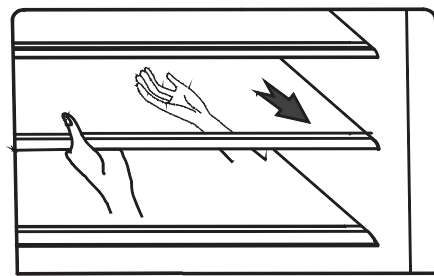


### Glass shelves

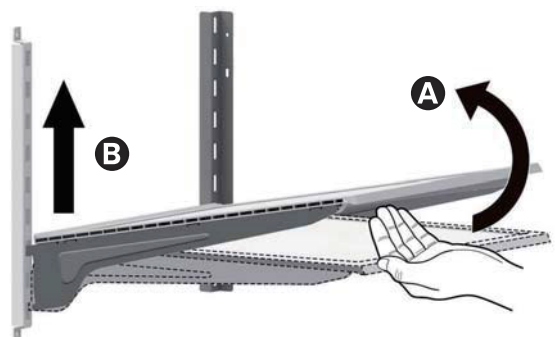
The refrigerator compartment comes with glass shelves, that can be placed at different heights according to your needs.

To remove the full width shelves, gently pull them forward until the shelf comes clear of the shelf guides.

To re-install the full width shelves, make sure there is no obstacle behind and gently push the shelf back into the position.

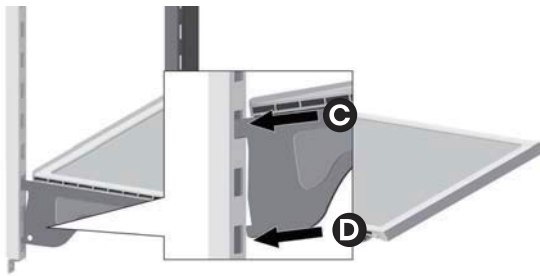


To remove the half width shelf or the collapsible glass shelf, tilt up the front of the shelf in the direction shown (A) and lift it up vertically (B). Pull the shelf out.



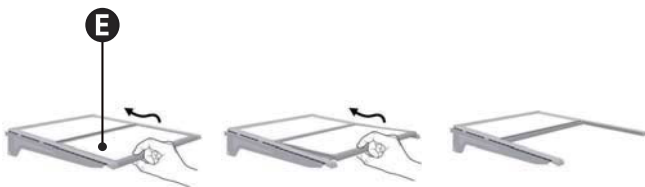
## Using your appliance

To re-install the half width glass shelf or the collapsible glass shelf, tilt the front of the shelf up and guide the shelf hooks into the slots at desired height(C). Then lower the front of the shelf so that the hooks can drop into the slots(D).

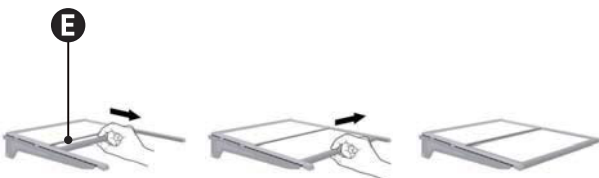


The collapsible glass shelf can be folded if you want to accommodate tall bottles.

To fold the shelf, hold the removable glass(E) and lift it up slightly, then push it slightly in the direction of the arrow.



To unfold the shelf, hold the removable glass(E) and pull it out slightly in the direction of the arrow until it can't move.



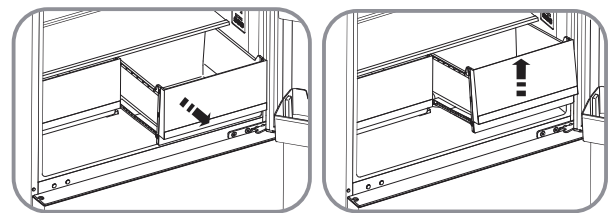
### Note

The door racks and shelves can be taken out to be cleaned.

## Refrigerator drawers

The drawers are suitable for storage of fruits and vegetable. They can be taken out to be cleaned. To take out the drawer, first pull the drawer out in level, then tip up it as the picture below shows.

Use the opposite sequence to reposition the drawer.



## 2. Using your freezer compartment

The freezer compartment is intended for the storage of foods required to be frozen, such as meat, fish, ice cream and other perishable items.

### Caution

Make sure that bottles are not left in the freezer for longer than needed as freezing may cause the bottle to break. Bottled or canned liquid are at risk of exploding caused by volume expansion and should not be stored in the freezer compartment.

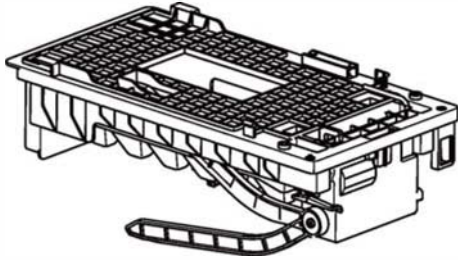
## Freezer drawers

The freezer compartment comes with two drawers and one ice box. To remove them, follow the steps described on page 9 and page 10.

## Using your appliance

### Automatic ice maker

The automatic ice maker in freezer compartment can make ice automatically.



#### Note

- When the ice maker dumps ice into the ice box, any sounds you might hear are part of the normal operation.
- If you do not dispense ice for a long periods of time, the ice may clump in the ice box. If this occurs, please remove all the ice and empty the box.
- The first batch of ice made by the ice maker should not be consumed and should be disposed of .

#### Note

- If you are going on a long vacation or business trip and won't be using the ice maker for a period of time, please close the water supply to prevent leaks.
- Do not store liquid cans in the ice box, it may burst.

#### WARNING

Do not allow your children to touch the ice maker. This could cause an injury.

## Cleaning and care

For hygienic reasons the appliance (including exterior and interior accessories) should be cleaned regularly (at least every two months).

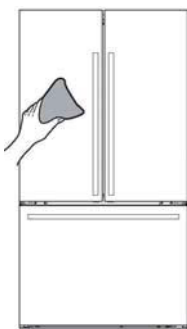
### Warning

The appliance must not be connected to the main power supply during cleaning. Danger of electrical shock! Before cleaning switch the appliance off and remove the plug from the socket.

### Exterior cleaning

To maintain the good appearance of your appliance, you should clean it regularly.

- Wipe the digital panel and display panel with a clean, soft cloth.
- Spray water onto the cleaning cloth instead of spraying directly on the surface of the appliance. This helps ensure an even distribution of moisture to the surface.
- Clean the doors, handles and cabinet surfaces with a mild detergent and then wiped dry with a soft cloth.

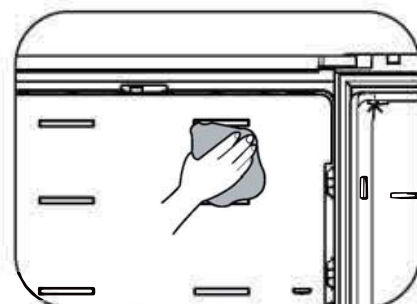


### Warning

- Do not use sharp objects as they are likely to scratch the surface.
- Do not use Thinner, Car detergent Clorox, ethereal oil, abrasive cleansers or organic solvent such as Benzene for cleaning. They may damage the surface of the appliance and may cause fire.

### Interior cleaning

- You should clean the appliance interior regularly. It will be easier to clean when food stocks are low. You can remove the drawers and shelves for a more thorough clean.
- Wipe the inside of the freezer with a weak solution of bicarbonate of soda, and then rinse with warm water using a wrung-out sponge or cloth. Wipe completely dry before replacing the shelves and baskets.
- Thoroughly dry all surfaces and removable parts before putting them back into place.



## Cleaning and care

- Although this appliance automatically defrosts, a layer of frost may occur on the freezer compartment's interior walls if the freezer door is opened frequently or kept open too long.
- If the frost is too thick, choose a time when the freezer is nearly empty and proceed as follow:

1. Remove existing food and accessories baskets, unplug the appliance from the power supply and leave the doors open.

Ventilate the room thoroughly to accelerate the process.

2. When defrosting is completed, clean your freezer as described above.

### **Warning**

- Do not use sharp objects to remove frost from the freezer compartment.
- Only after the interior is completely dry should the appliance be switched back on and plugged back into the socket.

### **Door seals cleaning**

Make sure to keep door seals clean. Sticky food and drinks can cause the seals to stick to the cabinet and tear

when you open the door. Wash the seals with a mild detergent and warm water. Rinse and dry them thoroughly after cleaning.

### **Replacing the LED light**

To replace the LED light, the below steps should be followed:

1. Unplug your appliance.
2. Using a thin blade, insert it into the gap at either end of the lampshade, and tilt one end of the lampshade.
3. Proceed to the other end and tilt the lampshade section by section until the lampshade falls off.
4. Press the elastic snap of the light box with a thin-blade screwdriver, and pull one end of the elastic snap of the LED light until the LED light is detached and then pull out the connecting terminal of the LED light.
5. Replace the LED light, install it and put the lampshade correctly in place.

### **Warning**

The LED light should be replaced by a professional. If the LED light is damaged, contact the customer helpline for assistance.

## Helpful hints and tips

### Energy saving tips

We recommend that you use the following tips to save energy.

- Try to avoid keeping the door open for extended period in order to conserve energy.
- Make sure the appliance is away from any sources of heat (Direct sunlight, electric oven or cooker etc.)
- Don't set the temperature colder than necessary.
- Don't store warm food or evaporating liquid in the appliance. Place the appliance in a well ventilated, humidity free room. Please refer to the installation your new appliance chapter.
- The appliance diagram shows the correct combination for the drawers, crisper and shelves, do not adjust the combination as it is designed to be the most energy efficient configuration.

### Hints for fresh food refrigeration

- Do not place hot food directly into the refrigerator or freezer, the internal temperature will increase resulting in the compressor having to work harder and will consume more energy.
- Do cover or wrap the food, particularly if it has a strong flavor.
- Place food properly so that air can circulate freely around it.

### Hints for refrigeration

- **Meat (All Types) Wrap in polythene food:** wrap and place on the glass shelf above the vegetable drawer. Always follow food storage times and use by dates suggested by manufacturers.
- **Cooked food, cold dishes, etc:** They should be covered and may be placed on any shelf.
- **Fruit and vegetables:** They should be stored in the special drawer provided.
- **Butter and cheese:** Should be wrapped in airtight foil or plastic film wrap.
- **Milk bottles:** Should have a lid and be stored in the door racks.

### Hints for freezing

- When first starting-up or after a period out of use, let the appliance run at least 2 hours on the higher settings before putting food in the compartment.
- Prepare food in small portions to enable it to be rapidly and completely frozen and make it possible to subsequently thaw only the quantity required.
- Wrap up the food in aluminum foil or polyethylene food wraps which are airtight.
- Do not allow fresh, unfrozen food to touch the food which is already frozen to avoid partial defrosting.

## Helpful hints and tips

- We recommend to label and date each frozen package in order to keep track of the storage time.

### Hints for fresh food refrigeration

- Ensure that frozen food has been stored correctly by the food retailer .
- Once defrosted, food will deteriorate rapidly and should not be re-frozen.
- Do not exceed the storage period indicated by the food manufacturer.

### Switching off your appliance

If the appliance needs to be switched off for an extended period, the following steps should be taken to prevent mould on the appliance.

1. Remove all food.
2. Remove the power plug from the socket.
3. Clean and dry the interior thoroughly.
4. Make sure that the doors are wedged open slightly to allow air to circulate.

## Troubleshooting

If you experience a problem with your appliance or are concerned that the appliance is not functioning correctly, you can carry out some easy checks before calling for service, please see below. You can carry out some recommended easy checks in this section before calling for service.



### Warning

1. Don't try to repair the appliance yourself. If the problem persists after you have made the checks mentioned below, contact a qualified electrician, authorized service technician or the store where you purchased the product.
2. A child entrapment warning statement is included below.

## Troubleshooting



### WARNING

Risk of child entrapment. Before you throw away your old refrigerator or freezer:

-Take off the doors.

-Leave the shelves in place so that children may not easily climb inside.

Problem	Possible Cause & Solution
Appliance is not working correctly	Check whether the power cord is plugged into the power outlet properly.
	Check the fuse or circuit of your power supply, replace if necessary.
	It is normal that the freezer is not operating during the defrost cycle, or for a short time after the appliance is switched on to protect the compressor.
Odours from the compartments	The interior may need to be cleaned.
	Some food, containers or wrapping cause odours.
Noise from the appliance	<p>The sounds below are quite normal:</p> <ul style="list-style-type: none"> <li>• Compressor running noises.</li> <li>• Air movement noise from the small fan motor in the freezer compartment or other compartments.</li> <li>• Gurgling sound similar to water boiling.</li> <li>• Popping noise during automatic defrosting.</li> <li>• Clicking noise before the compressor starts.</li> <li>• Clicking noise when you get the water.</li> <li>• The motor running noises when you get ice.</li> </ul>

## Troubleshooting

Problem	Possible Cause & Solution
Noise from the appliance	<p>Other unusual noises are due to the reasons below and may need you to check and take action:</p> <ul style="list-style-type: none"> <li>• The cabinet is not level.</li> <li>• The back of appliance touches the wall.</li> <li>• Bottles or containers have fallen or are rolling.</li> </ul>
The motor runs continuously	<p>It is normal to frequently hear the sound of the motor, it will need to run more when in following circumstances:</p> <ul style="list-style-type: none"> <li>• Temperature setting is set colder than necessary.</li> <li>• Large quantity of warm food has recently been stored within the appliance.</li> <li>• The temperature outside the appliance is too high.</li> <li>• Doors are kept open too long or too often.</li> <li>• After your installing the appliance or it has been switched off for a long time.</li> </ul>
A layer of frost occurs in the compartment	<p>Check that the air outlets are not blocked by food and ensure food is placed within the appliance to allow sufficient ventilation. Ensure the door can be fully closed . To remove the frost, please refer to the cleaning and care chapter.</p>
Temperature inside is too warm	<p>You may have left the doors open too long or too frequently;</p> <ul style="list-style-type: none"> <li>• Or the doors are kept open by some obstacle;</li> <li>• Or the appliance is located with insufficient clearance at the sides, back and top.</li> </ul>
Temperature inside is too cold	<p>Increase the temperature by following the “Display controls” chapter.</p>
Doors can't be closed easily	<p>Check whether the top of the refrigerator is tilted back by 0.1"-0.2" (2.5-5mm)to allow the doors to self-close, or if something inside is preventing the doors from closing.</p>

## Troubleshooting

Problem	Possible cause & Solution
The light is not working	<ul style="list-style-type: none"> <li>• The LED light may be damaged. Refer to replace LED lights in cleaning and care chapter.</li> <li>• The control system has disabled the lights due to the door being kept open too long, close and reopen the door to reactivate the lights.</li> </ul>
Hear water bubbling in the refrigerator	<ul style="list-style-type: none"> <li>• This is normal. The bubbling comes from the refrigerant coolant liquid circulating through the refrigerator.</li> </ul>
Ice is not making	<ul style="list-style-type: none"> <li>• Did you wait for 24 hours after installation of the water supply line before making ice? If it is not sufficiently cool, it may take longer to make ice, such as when first installed.</li> <li>• Is the water line connected and the water valve open? Did you manually stop the ice making function?</li> <li>• Is there any ice blocked within the ice maker bucket?</li> <li>• Is the water pressure less than 30psi? Install a booster pump to compensate for the low pressure.</li> <li>• Is the freezer temperature too warm? Try setting the freezer temperature lower.</li> <li>• Ice maker is not making the ice fast enough. Please wait for at least 90 minutes.</li> <li>• Remove the bucket and check if the ice clumps or sticks to the wall, break up ice using a plastic utensil and discard.</li> </ul>

## Disposal of the appliance

It is prohibited to dispose of this appliance as household waste.

### Packaging materials


Packaging materials with the recycle symbol are recyclable. Dispose of the packaging into a suitable waste collection container to recycle it.

### Before disposal of the appliance

1. Pull out the plug from the socket.
2. Cut off the power cord and discard it

### Warning

Refrigerators contain refrigerant and gases in the insulation. Refrigerant and gases must be disposed of professionally as they may cause eye injuries or ignition. Ensure that tubing of the refrigerant circuit is not damaged prior to proper disposal.

	<b>Correct Disposal of this product</b>
	<p>This marking indicates that this product should not be disposed of with other household wastes. To prevent possible harm to the environment or human health from uncontrolled waste disposal, recycle it responsibly to promote the sustainable reuse of material resources. To return your used device, please use the return and collection systems or contact the retailer where the product was purchased. They can take this product for environmental safe recycling.</p>

## TRUARCTIC<sup>®</sup> MAJOR APPLIANCE LIMITED WARRANTY

ATTACH YOUR RECEIPT HERE. PROOF OF PURCHASE IS REQUIRED TO OBTAIN WARRANTY SERVICE.

Please write down the product information and have the following information available when you call the Customer Service Center:

- Name, address and telephone number
- Model number
- Serial number
- Purchase Date
- A clear, detailed description of the problem
- Proof of purchase including dealer or retailer name and address

### IF YOU NEED SERVICE:

Before contacting us to arrange service, please determine whether your product requires repair. Some questions can be addressed without service. Please take a few minutes to review the Troubleshooting or Problem Solver section of the Owner Manual, scan the QR code on the right or visit [www.truarctic.com](http://www.truarctic.com) to access additional resources; or contact your authorized TRUARCTIC dealer for further information.



For one year from the date of purchase, when this major appliance is installed, operated and maintained according to instructions attached to or furnished with the product, TRUARCTIC will pay for Factory Specified Replacement Parts and repair labor to correct defects in materials or workmanship that existed when this major appliance was purchased, or at its sole discretion replace the product. In the event of product replacement, your appliance will be warranted for the remaining term of the original unit's warranty period.

YOUR SOLE AND EXCLUSIVE REMEDY UNDER THIS LIMITED WARRANTY SHALL BE PRODUCT REPAIR AS PROVIDED HEREIN. Service must be provided by a TRUARCTIC designated service company. This limited warranty is valid only in Canada and applies only when the major appliance is used in Canada. This limited warranty is effective from the date of original consumer purchase. Proof of original purchase date is required to obtain service under this limited warranty.

### WHAT IS NOT COVERED

1. Products with original model or serial numbers that have been removed, altered, or cannot be readily determined.
2. Products transferred from the original owner or relocated outside Canada.
3. Products used in commercial, non-residential, multiple-family, or any setting inconsistent with the published user, operator, or installation instructions.
4. Products purchased "as-is," including display models and open-box items.
5. Cosmetic damage including scratches, dents, chips, discoloration, rust, or oxidation resulting from corrosive or caustic environments such as high salt exposure, high humidity, or chemical contact, unless reported within 30 days and proven to result from defects in materials or workmanship.
6. Rust on any interior or exterior surface of the product.
7. Loss of food, beverages, or medicine due to refrigerator or freezer failure.
8. Replacement of consumable parts such as light bulbs, batteries, air or water filters, preservation solutions, knobs, handles, or other cosmetic components.
9. Service calls that do not involve defects in materials or workmanship, including calls to instruct on product use or to correct improper installation or maintenance.
10. Service calls required to correct installation not performed according to applicable electrical or plumbing codes, or to repair household electrical or plumbing issues such as house wiring, fuses, or water inlet hoses.
11. Costs incurred to make the appliance accessible for servicing, including removal or reinstallation of trim, cabinetry, decorative panels, flooring, islands, countertops, drywall, or other built-in fixtures.
12. Transportation, pick-up, delivery, travel charges, tolls, ferry fees, or service calls to remote locations
13. Damage to property such as floors, cabinets, or walls incurred during installation, removal, or servicing of the product.
14. Conversion of products from natural gas to liquid propane gas or vice versa.
15. Repairs or damage caused by unauthorized service providers or use of non-genuine manufacturer parts.
16. Alteration, modification, or unauthorized repairs to the appliance.
17. Damage resulting from misuse, abuse, accidents, inadequate power supply, fire, flood, or other external causes including acts of God.

**The cost of repair or replacement under these excluded circumstances shall be borne by the customer.**

### DISCLAIMER OF IMPLIED WARRANTIES

IMPLIED WARRANTIES, INCLUDING ANY IMPLIED WARRANTY OF MERCHANTABILITY OR IMPLIED WARRANTY OF FITNESS FOR A PARTICULAR PURPOSE, ARE LIMITED TO ONE YEAR OR THE SHORTEST PERIOD ALLOWED BY LAW. Some provinces do not allow limitations on the duration of implied warranties of merchantability or fitness, so this limitation may not apply to you. This warranty gives you specific legal rights, and you also may have other rights that vary from state to state or province to province.

### DISCLAIMER OF REPRESENTATIONS OUTSIDE OF WARRANTY

TRUARCTIC makes no representations about the quality, durability, or need for service or repair of this major appliance other than the representations contained in this warranty. If you want a longer or more comprehensive warranty than the limited warranty that comes with this major appliance, you should ask TRUARCTIC or your retailer about buying an extended warranty.

### LIMITATION OF REMEDIES; EXCLUSION OF INCIDENTAL AND CONSEQUENTIAL DAMAGES

YOUR SOLE AND EXCLUSIVE REMEDY UNDER THIS LIMITED WARRANTY SHALL BE PRODUCT REPAIR AS PROVIDED HEREIN. TRUARCTIC SHALL NOT BE LIABLE FOR INCIDENTAL OR CONSEQUENTIAL DAMAGES. Some provinces do not allow the exclusion or limitation of incidental or consequential damages, so these limitations and exclusions may not apply to you. This warranty gives you specific legal rights, and you also may have other rights that vary from state to state or province to province.

## Contenu

**Merci d'avoir choisi Ellipse . Nous sommes sûrs que vous trouvez votre nouveau réfrigérateur agréable à utiliser. Cependant, avant d'utiliser l'appareil, nous vous recommandons de lire attentivement les instructions, qui fournissent des détails sur l'installation et l'utilisation du produit. Veuillez conserver ce manuel pour référence ultérieure.**

Informations relatives à la sécurité et avertissements .....	01
Installation de votre nouvel appareil.....	06
Description de l'appareil.....	15
Commandes d'affichage.....	16
Utilisation de votre appareil.....	21
Nettoyage et entretien.....	24
Conseils et astuces utiles.....	26
Dépannage.....	27
Mise au rebut de l'appareil.....	31
information sur la garantie .....	32

## Informations relatives à la sécurité et Avertissements

Pour votre sécurité et un bon usage avant d'installer et d'utiliser l'appareil pour la première fois, lisez attentivement ce manuel de l'utilisateur, y compris les conseils et avertissements. Afin d'éviter les accidents et les erreurs inutiles, il est important de vous assurer que toutes les personnes utilisant l'appareil sont complètement familiarisées avec ses caractéristiques de fonctionnement et de sécurité. Conservez ces instructions et assurez-vous qu'elles restent avec l'appareil si ce dernier est déplacé ou vendu, de sorte que toute personne l'utilisant tout au long de sa durée de vie soit informée de ses consignes d'utilisation et de sécurité. Pour assurer la sécurité des personnes et des biens, conservez les instructions contenues dans ce guide de l'utilisateur, car le fabricant ne pourra être tenu responsable des dommages dus aux omissions.



### Avertissements

- N'utilisez pas de dispositifs mécaniques ou d'autres moyens pour accélérer le processus de dégivrage, autres que ceux recommandés par le fabricant.
- N'endommagez pas le circuit réfrigérant.
- N'utilisez pas d'appareils électriques à l'intérieur des compartiments de stockage des aliments de l'appareil sauf s'ils sont recommandés par le fabricant.
- Si vous voulez mettre cet appareil au rebut confiez-le à votre centre de traitement des déchets le plus proche. Ne pas exposer aux flammes.
- Connectez l'appareil uniquement à une source d'eau potable.
- Si le CORDON D'ALIMENTATION est endommagé, il doit être remplacé par le fabricant, l'un de ses agents ou une personne qualifiée similaire afin d'éviter tout danger.
- Gardez les ouvertures de ventilation de l'appareil ou la structure intégrée, exemptent de toute obstruction.
- Ne conservez pas de substances explosives comme les canettes d'aérosol contenant un propergol inflammable à l'intérieur de l'appareil.



### Sécurité générale et utilisation quotidienne

**Il est important d'utiliser votre appareil en toute sécurité. Nous vous recommandons de suivre les directives ci-dessous.**

**Conservez tout aliment conformément aux instructions de stockage du fabricant.**

- Cet appareil est destiné à être utilisé dans des applications domestiques et similaires telles que
  1. les zones de cuisine du personnel dans les boutiques, les bureaux et les autres environnements de travail ;
  2. les maisons de ferme et par les clients dans les hôtels, les motels et les autres environnements de type résidentiel ;
  3. les environnements de type gîte ou chambre d'hôte
  4. traiteur et les applications non commerciales similaires.
- N'essayez pas de réparer l'appareil vous-même. Il est dangereux de modifier les spécifications de ce produit de quelque manière que ce soit. Tout dommage au cordon d'alimentation peut provoquer un court-circuit, un incendie ou un choc électrique.
- Ne placez pas trop d'aliments directement contre la sortie d'air sur la paroi arrière du réfrigérateur et du compartiment congélateur, car cela peut considérablement affecter la circulation d'air.
- Ne placez pas d'éléments chauds près des composants en plastique de l'appareil.
- Les aliments congelés ne doivent pas être recongelés une fois qu'ils ont été décongelés.
- Ne conservez pas les boissons en bouteille ou en canette (surtout les boissons gazeuses) dans le compartiment congélateur. Les bouteilles et les canettes peuvent exploser.
- Soyez prudent en consommant des bâtons de glace ou des glaçons directement lorsqu'ils sont sortis du congélateur, car cela peut causer des brûlures de congélation dans la bouche et aux lèvres.
- Afin de détecter la température et l'humidité à proximité de l'appareil et d'améliorer son fonctionnement, des capteurs de température et d'humidité sont inclus à l'intérieur du boîtier de l'appareil.



### Sécurité des enfants et des autres personnes vulnérables

- Cet appareil n'est pas prévu pour être utilisé par des personnes (y compris des enfants) avec des capacités physiques, sensorielles ou mentales réduites, ou un manque d'expérience et de connaissance, à moins qu'elles n'aient reçu des instructions concernant l'utilisation de l'appareil d'une personne responsable de leur sécurité. Les enfants doivent être surveillés pour s'assurer qu'ils ne jouent pas avec l'appareil.
- Conservez tous les emballages hors de la portée des enfants pour éviter tout risque de suffocation.
- Protégez les enfants contre les brûlures ils ne doivent pas toucher le compresseur situé à l'arrière de l'appareil.
- Ne placez pas d'articles au-dessus de l'appareil, car cela pourrait entraîner des blessures en cas de chute.
- Ne laissez jamais les enfants jouer avec l'appareil ou grimper sur les portes, les supports, les étagères et les tiroirs, etc.



### Sécurité électrique

**Pour éviter les risques qui sont toujours présents lors de l'utilisation d'un appareil électrique, nous vous recommandons d'être attentifs et bien lire les instructions ci-dessous.**

- Déballez l'appareil et vérifiez-le complètement. En cas de dommages évidents, ne branchez pas l'appareil et contactez immédiatement le magasin auprès duquel vous l'avez acheté. Conservez tous les matériaux d'emballage dans ce cas.
- Nous vous recommandons d'attendre 4 heures avant de brancher l'appareil pour permettre au réfrigérant de refluer dans le compresseur.
- L'appareil nécessite un courant alternatif monophasé de 110~115 V/60 Hz. Si la fluctuation de tension dépasse la limite supérieure, un régulateur de tension automatique CA plus de 350 W doit être appliqué au réfrigérateur pour garantir une utilisation en toute sécurité.
- La fiche d'alimentation doit être accessible lorsque l'appareil est installé.



### Sécurité électrique

- Cet appareil doit être mis à la terre.
- Cet appareil est équipé d'une fiche conforme aux normes locales. La fiche est adaptée à une utilisation dans toutes les maisons équipées de prises conformes aux spécifications de courant.
- Si la fiche équipée n'est pas adaptée à votre prise de courant, contactez un électricien agréé qualifié.
- N'utilisez pas de rallonges ou de prises multiples, ceci peut entraîner une surcharge des circuits électriques et causer un incendie. Branchez toujours votre appareil dans une prise de courant individuelle dont la tension nominale correspond à la tension nominale indiquée sur l'étiquette d'évaluation.
- Assurez-vous que la fiche d' n'est pas écrasée ni endommagée. Sinon, cela pourrait causer un court-circuit, un choc électrique, une surchauffe ou même un incendie.
- N'insérez pas la fiche d'alimentation si la prise est desserrée, sinon il y a un risque de choc électrique ou d'incendie.
- Éteignez l'appareil et débranchez-le de l'alimentation secteur avant de le nettoyer ou de le déplacer.
- Ne débranchez jamais l'appareil en tirant sur le câble électrique. Tenez toujours fermement la fiche et tirez-la directement hors de la prise pour éviter d'endommager le cordon d'alimentation.
- Ne faites jamais fonctionner l'appareil en l'absence du couvercle d'éclairage intérieur.
- Tout composant électrique doit être remplacé ou réparé par un électricien qualifié ou un ingénieur de maintenance agréé. Seules des pièces de rechange d'origines doivent être utilisées.
- N'utilisez pas d'appareils électriques tels que les machines à crème glacée à l'intérieur des compartiments de stockage des aliments de l'appareil, à moins qu'ils soient approuvés par le fabricant.



### Sécurité électrique

- Pour éviter toute lésion oculaire, ne regardez pas directement dans la lumière DEL située dans le compartiment réfrigérateur. Si elle ne fonctionne pas correctement, consultez un électricien qualifié et agréé ou remplacez-la conformément aux instructions du chapitre « Nettoyage et entretien ».



### Réfrigérant

- De l'isobutène réfrigérant (R600a) est contenu dans le circuit de réfrigérant de l'appareil. Pendant le transport et l'installation de l'appareil, veillez à ce qu'aucun des composants du circuit de réfrigérant ne soit abîmé. Le réfrigérant (R600a) est inflammable.



### Attention : Risque d'incendie

- Ne stockez pas à l'intérieur du réfrigérateur des produits contenant des propergols inflammables (p. ex. : bombe d'aérosol) ou des substances explosives.

#### **Au cas où le circuit de réfrigérant soit endommagé :**

- Évitez les flammes nues (bougies, lampes, etc.) et les autres sources d'ignition.
- Ventilez complètement la salle dans laquelle se trouve l'appareil.



### AVERTISSEMENT

#### **Risque de piégeage des enfants. Avant de jeter votre ancien réfrigérateur ou congélateur :**

- Enlevez les portes.
- Laissez les étagères en place pour que les enfants ne puissent pas facilement grimper à l'intérieur.

## Installation de votre nouvel appareil

Avant d'utiliser cet appareil pour la première fois, vous devez tenir compte des conseils suivants.

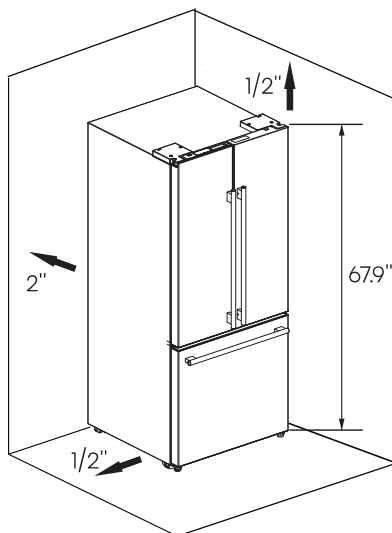


### Ventilation de l'appareil

Afin d'améliorer l'efficacité du système de refroidissement et d'économiser de l'énergie, il est nécessaire de maintenir une bonne ventilation autour de l'appareil pour permettre la dissipation de la chaleur. Pour cette raison, un espace libre suffisant doit être disponible autour du réfrigérateur.

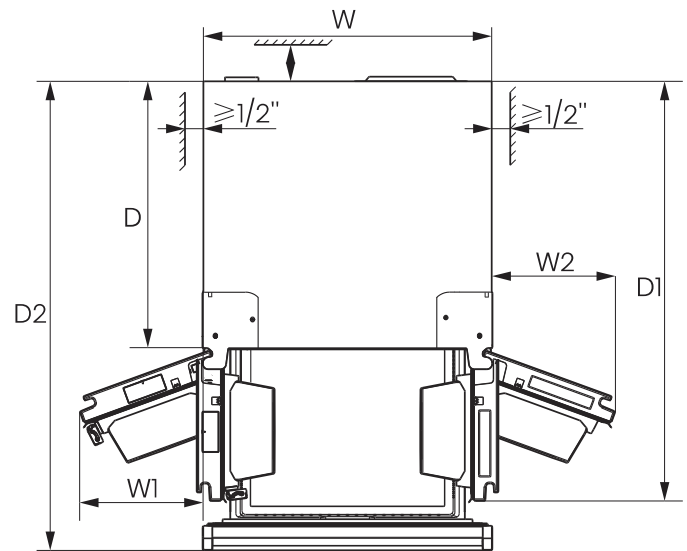
#### Suggestion :

Il est conseillé de réserver un espace d'au moins 2" (50 mm) de l'arrière au mur, d'au moins 1/2" (12 mm) du haut, d'au moins 1/2" (12 mm) de son côté au mur et un espace libre à l'avant pour permettre aux portes de s'ouvrir à 160°. Comme illustré dans les schémas ci-dessous.



### Informations pertinentes

W	W1	W2	D	D1	D2
31.1	13.3	13.3	32.2	45.3	50.6



### Remarque

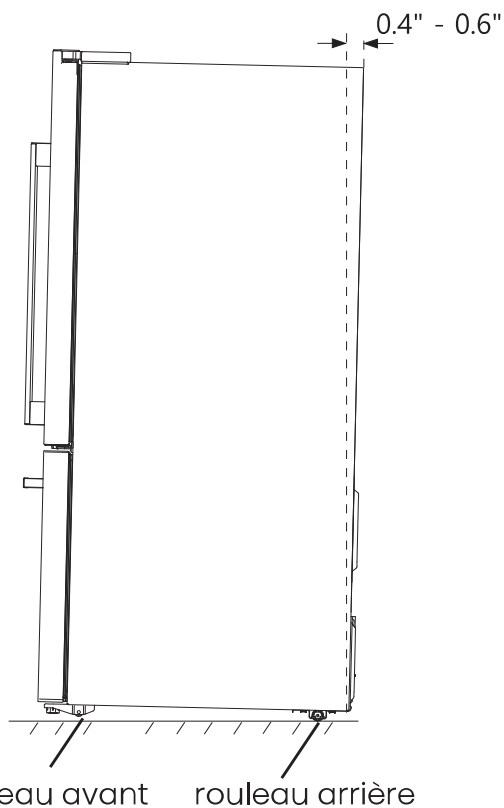
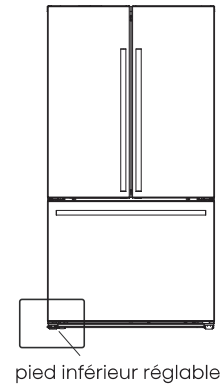
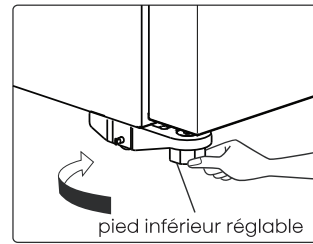
Cet appareil fonctionne correctement à une température ambiante comprise entre 12,8 °C (55 °F) et 43,3 °C (110 °F). Il pourrait ne pas fonctionner correctement s'il est exposé à une température en dehors de la plage indiquée ci-dessous pendant une longue période.

Placez votre appareil dans un endroit sec pour éviter tout dégât lié à l'humidité. Gardez l'appareil à l'abri de la lumière directe du soleil, de la pluie et du gel. Placez l'appareil éloigné des sources de chaleur telle que les cuisinières, les foyers ou les chauffages.

## Installation de votre nouvel appareil

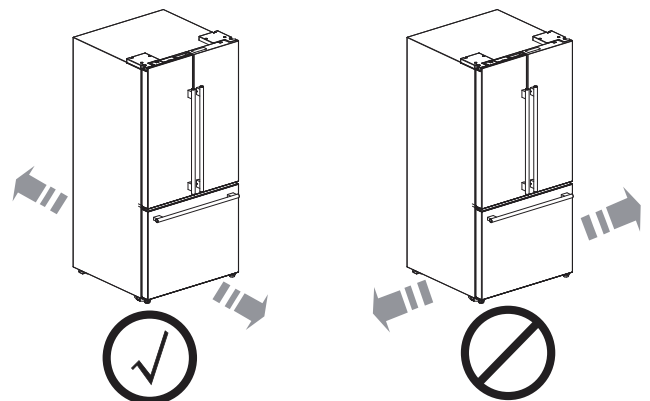
### Mise à niveau de l'appareil

- Pour assurer une mise à niveau et une circulation d'air suffisantes remove dans la partie arrière basse de l'appareil, les pieds inférieurs peuvent nécessiter d'être ajustés. Veuillez utiliser une clé appropriée.
- Pour permettre aux portes de se fermer automatiquement, inclinez le haut de l'appareil vers l'arrière d'environ 15 mm ou 0,5° en tournant les pieds réglables.
- Chaque fois que vous voulez déplacer l'appareil, n'oubliez pas de remonter les pieds afin que l'appareil puisse rouler librement. Réinstallez l'appareil en cas de déménagement.



### Avertissement




- Pour une installation appropriée, ce réfrigérateur doit être placé sur une surface plane en matériau dur, à la même hauteur que le reste du plancher. Cette surface doit être assez solide pour supporter le poids du réfrigérateur complètement chargé.
- Les rouleaux qui ne sont pas roulettes, ne doivent être utilisés que pour les mouvements vers l'avant ou l'arrière. Le déplacement latéral du réfrigérateur pourrait endommager votre plancher et les rouleaux.



## Installation de votre nouvel appareil

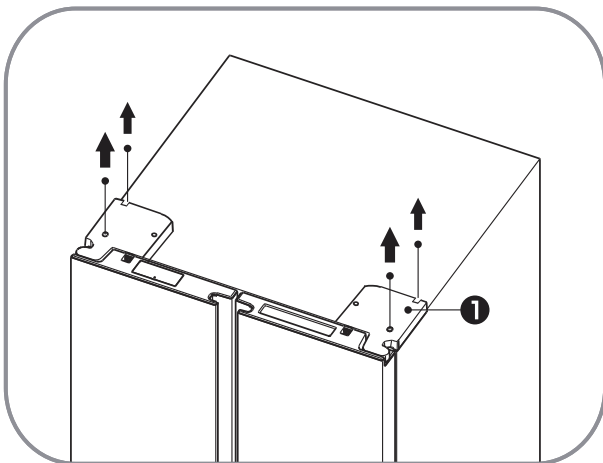
Si votre porte d'accès à la maison est trop étroite pour que le réfrigérateur puisse passer, retirez les portes et les tiroirs du réfrigérateur.

Les outils dont vous auriez besoin (Non fournis) :

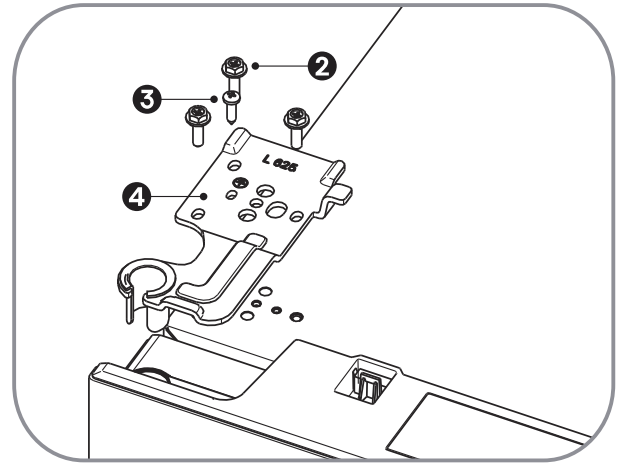
	
Clé Allen (5/32", 4 mm)	Clé (5/16", 8 mm)
	
Tournevis Phillips	

### Démontage de la porte du réfrigérateur

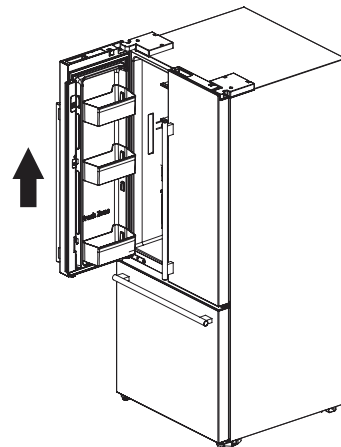
1. Avec la porte fermée, retirez les 4 vis maintenant le couvercle supérieur (1) avec le tournevis Phillips (+), et puis retirez le couvercle supérieur.



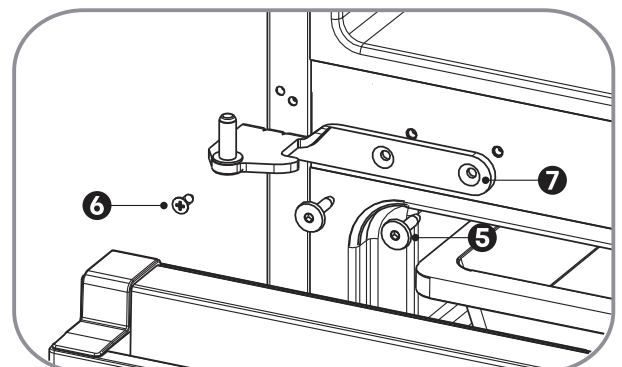
2. Retirez les vis (2) fixées sur les charnières supérieures avec une clé (5/16", 8 mm) et la vis de terre (3) attachée à la charnière avec le tournevis Phillips (+). Retirez la charnière supérieure de la porte gauche (4).



3. Utilisez vos mains pour ouvrir la porte à plus de 90°. Soulevez-la et retirez-la.



4. Retirez les vis (5) fixées sur les charnières intermédiaires avec une clé Allen (5/32", 4 mm) et la vis de (6) fixée sur la charnière intermédiaire avec le tournevis Phillips (+). Retirez les charnières intermédiaires gauche et droite (7).



## Installation de votre nouvel appareil

### Installation des poignées

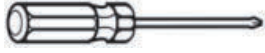


Avant d'utiliser l'appareil, vous devez installer les poignées fournies.

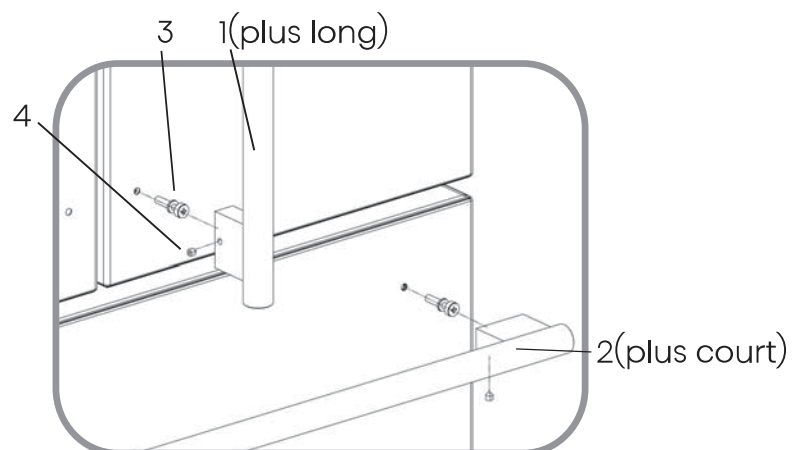
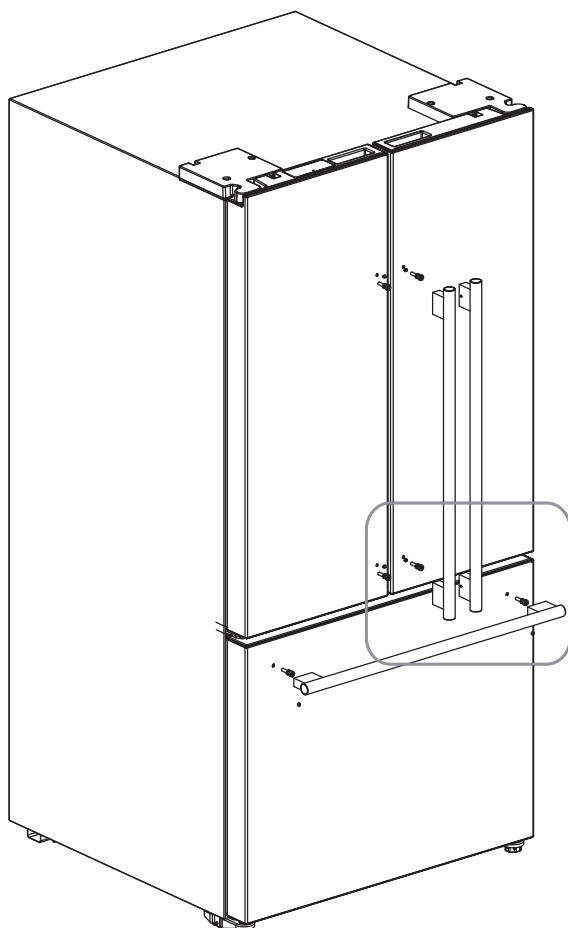
Les deux plus longues sont les poignées de porte du réfrigérateur, la plus courte est la poignée de porte du congélateur.

Veillez suivre les procédures ci-dessous pour installer les poignées.

- Monter les supports de poignée 3 sur les portes.
- Placer les poignées 1 et 2 sur les portes en emboîtant la poignée sur les supports de poignée 3.
- Fixer les vis 4 (fournies avec la poignée) à l'aide d'une clé Allen de 5/32" (fournie dans le sac en plastique).

### Outils nécessaires

Non fourni	
	
Tournevis en croix	Tournevis plat
Pièces supplémentaires	
	



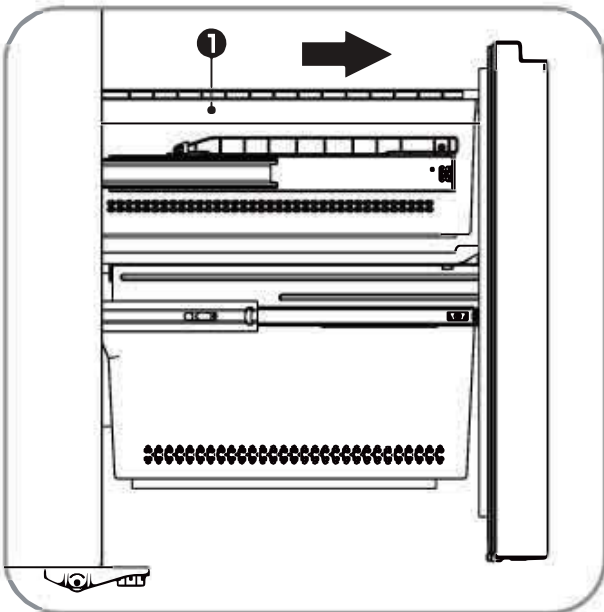
## Installation de votre nouvel appareil

### Démontage de la porte du congélateur

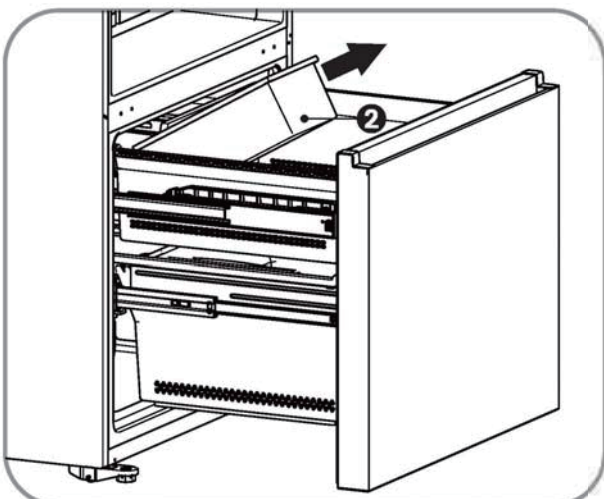
Le compartiment congélateur s'ouvre à l'aide d'une porte. Il est doté d'un tiroir supérieur avec un bac à glaçons et d'un tiroir inférieur.

Vous pouvez suivre les étapes suivantes pour désassembler les tiroirs et la porte.

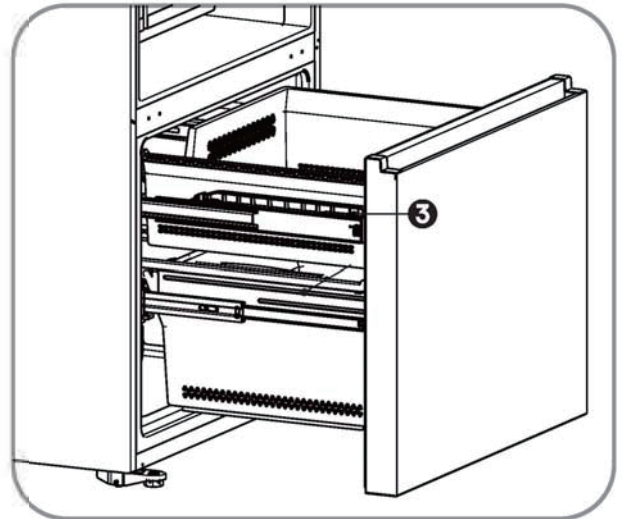
1. Tirez la porte du congélateur et le tiroir supérieur (1) en position étendue.



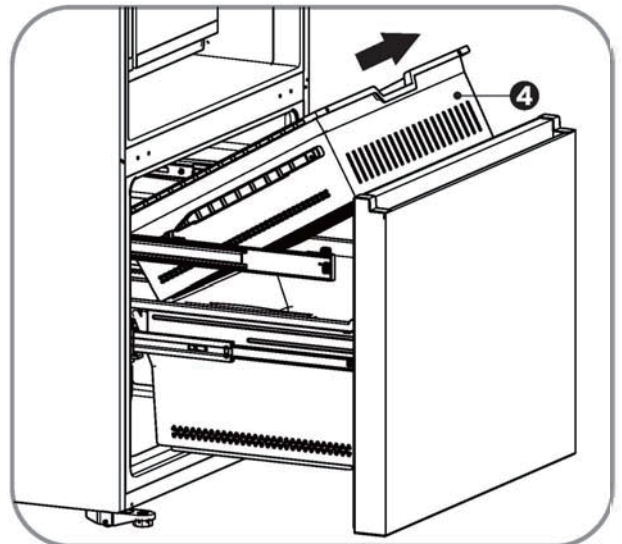
2. Sortez le bac à glaçons (2)



3. Retirez les 2 vis (3) fixées sur le tiroir supérieur avec le tournevis Phillips (+)

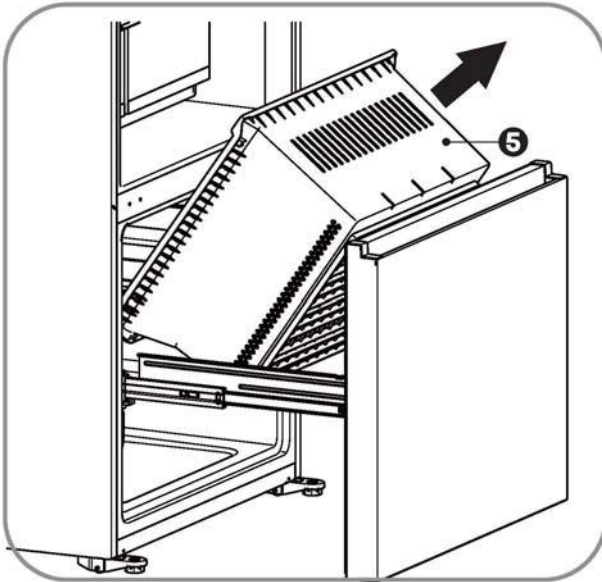


4. Retirez le tiroir supérieur en le soulevant du système de rails.

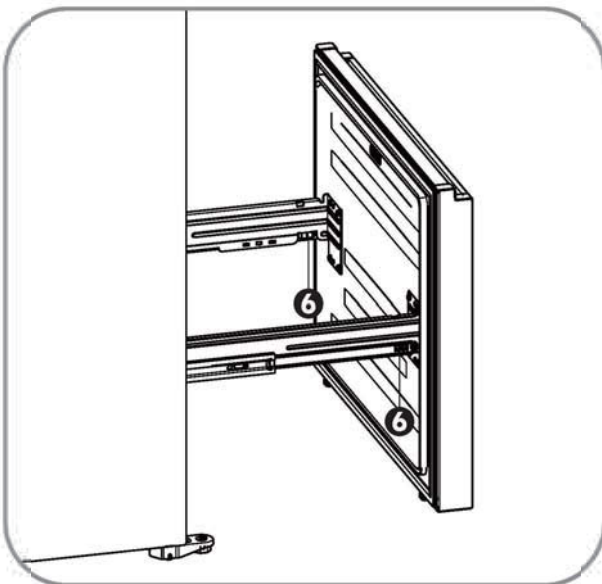


## Installation de votre nouvel appareil

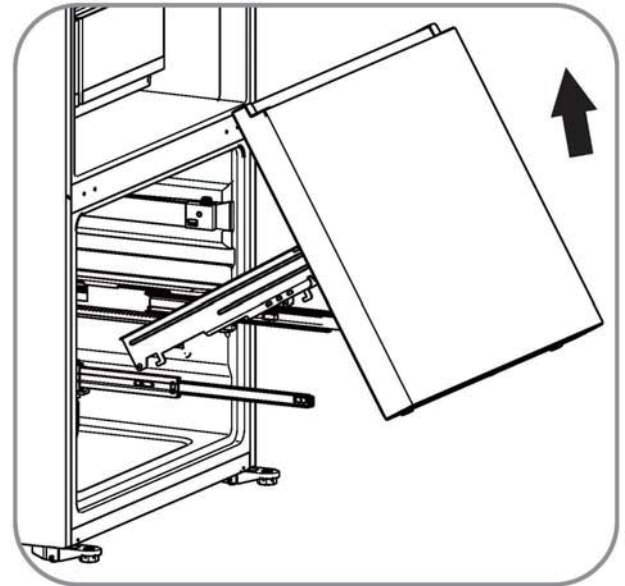
5. Sortez le tiroir inférieur (5) en le soulevant.



6. Retirez les 2 vis (6) maintenant le support avec le tournevis Phillips (+)



7. Retirez le tiroir inférieur du congélateur en le soulevant.



### Réassemblage des portes

Pour rattacher les portes et les tiroirs après que l'appareil ait été déplacé en position finale, réassemblez les pièces dans l'ordre inverse.

### Installation des conduites d'eau

Pour que la machine à glacons fonctionne correctement, une ligne d'eau sera requise.

Le raccordement à l'eau doit être effectué par un plombier qualifié. Si le réfrigérateur est installé dans une zone à faible pression (en dessous de 30psi/207kPa), vous pouvez installer une pompe boosteur pour compenser la faible pression.

- la pression maximale d'entrée de l'eau est de 101,5psi/700kPa;

- la pression d'entrée de l'eau minimale est de 30psi/207kPa.

## Installation de votre nouvel appareil

### Avertissement

- La connexion de l'eau doit être effectuée par un plombier qualifié. Le fonctionnement en dehors de la plage de pression de l'eau pourrait entraîner un dysfonctionnement ou des fuites d'eau sévères et dommageables.
- Dans les conditions normales, un verre de 200 cc (5,75 oz.) peut être rempli en environ 10 secondes.
- Si le réfrigérateur est installé dans une zone à faible pression (au-dessous de 30 psi), vous pouvez installer une pompe de surpression pour compenser la faible pression.
- Si vous allumez le réfrigérateur avant que l'eau ne soit raccordée, éteignez la machine à glaçons.

### Ce dont vous devez avoir avant de commencer

1. Perceuse électrique et une mèche 1/4".
2. Clé 1/2" ou clé à molette.
3. Tournevis à tête plate et Philips.



Vanne d'arrêt de type selle (sortie 1/4")



Un écrou de compression 1/4"



1 virole (manchon)



Tube d'extension 1/4"



1 Coupleur



2 clips

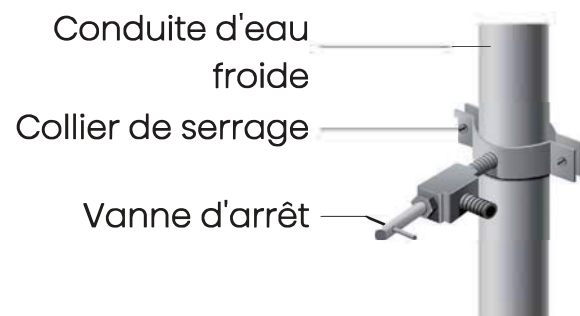
4. Vous avez besoin d'acheter plusieurs articles pour réaliser cette connexion. Vous pouvez trouver ces articles vendus par kit dans une quincaillerie locale.

### Connexion à la ligne d'alimentation en eau

1. Coupez d'abord l'alimentation en eau principale.

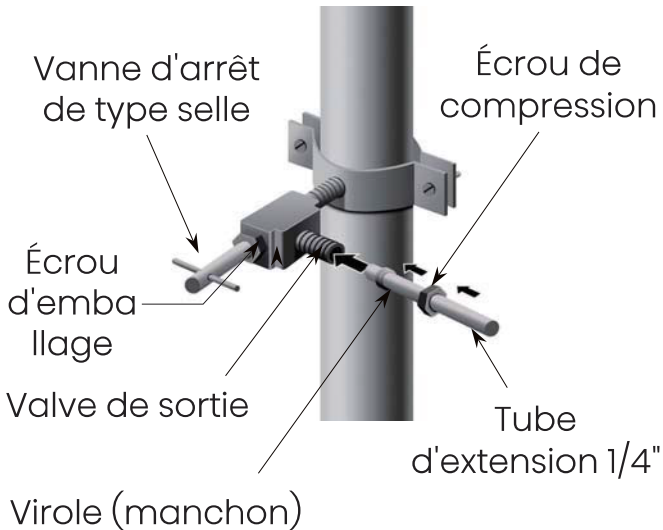


2. Percez la conduite d'eau froide à l'aide d'une perceuse électrique et d'un trépan 1/4" et raccordez la vanne d'arrêt de type selle.



## Installation de votre nouvel appareil

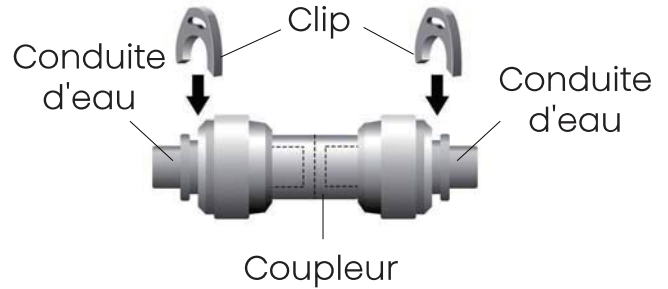
3. Connectez le tube d'extension 1/4" à la sortie de la vanne d'arrêt.



4. Rincez les tuyaux. Connectez l'alimentation principale en eau et rincez les tuyaux jusqu'à ce que l'eau soit claire. Puis, coupez l'alimentation en eau via la vanne d'eau après que les tuyaux aient été rincés par environ un quart de litre d'eau.



5. Connectez le tuyau d'extension à la conduite à l'arrière du réfrigérateur via le coupleur. Insérez complètement le tuyau d'extension dans le coupleur, puis insérez le plongeur sur le coupleur pour verrouiller le tuyau. Faites de même pour l'autre extrémité. Après avoir inséré tous les deux clips, vérifiez la conduite pour s'assurer qu'elle est bien maintenue par les clips.



### ! Remarque

Assurez-vous que la conduite d'eau n'est pas coincée ni pliée lors de l'installation. Cela peut entraîner un écoulement inapproprié d'eau à travers la ligne et affectera le fonctionnement du réfrigérateur.

6. Ouvrez l'eau et vérifiez s'il y a des fuites.



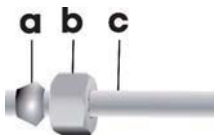
### ! Attention

Vérifiez s'il y a des fuites d'eau au niveau des connexions de la conduite d'eau.

## Installation de votre nouvel appareil

### Connexion à la ligne d'alimentation en eau

1. Vous pouvez avoir besoin d'acheter les articles ci-dessous pour réaliser cette connexion. Et vous pouvez trouver ces articles vendus par kit dans une quincaillerie locale.



- a** Virole (Manchon) - 1 pièce
- b** Écrou de compression 1/4" - 1 pièce
- c** Conduite d'eau 1/4" - 1 pièce

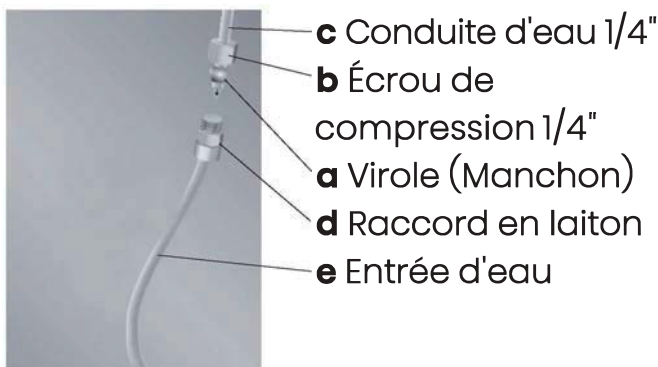
2. Débranchez le réfrigérateur ou coupez l'alimentation.

3. Fermez la vanne d'arrêt.

4. Vissez un écrou de compression 1/4" et une virole (manchon) sur l'extrémité libre de la conduite d'eau 1/4".

5. Insérez l'extrémité libre de la conduite d'eau 1/4" dans le raccord en laiton fixé à l'entrée d'eau à l'arrière du réfrigérateur.

6. Faites glisser l'écrou de compression 1/4" sur la virole (manchon) et vissez l'écrou de compression 1/4" sur le raccord en laiton.



7. Vérifiez que la conduite d'eau 1/4" est bien attachée en tirant doucement dessus.

8. Ouvrez l'alimentation en eau et vérifiez s'il y a des fuites et, le cas échéant, corrigez toute fuite.



### Remarque

- Utilisez uniquement le nouveau tuyau fourni avec le réfrigérateur. Aucun ancien tuyau ne doit être utilisé.
- Une fois connecté à la conduite d'alimentation en eau, veuillez ouvrir la vanne d'eau pour rincer le filtre pendant 5 minutes avant l'utilisation. La décoloration initiale foncée de l'eau est normale.
- Lorsque vous raccordez la conduite d'eau à l'appareil et pressez le levier du distributeur pour la première fois, il est normal qu'il y ait un bruit d'échappement qui émane de l'appareil.



### Attention

La conduite d'eau doit être raccordée à la conduite d'eau froide. Si elle est raccordée à la conduite d'eau chaude, il peut provoquer un dysfonctionnement du purificateur. Évitez la contamination des tuyaux lors de l'installation. Connectez l'appareil uniquement à une source d'eau potable.

## Description de l'appareil

### View of the appliance



1. Porte du réfrigérateur de gauche
2. Porte du réfrigérateur de droite
3. Poignée de la porte du réfrigérateur
4. Poignée de la porte du congélateur
5. Porte du congélateur
6. Lampe DEL supérieure du réfrigérateur
7. Balconnets du réfrigérateur
8. Étagère en verre

9. Tablette en verre (demi-largeur)
10. Lampe DEL latérale du réfrigérateur
11. Couvercle du tiroir à fruits & légumes
12. Partie de tiroir à fruits & légumes
13. Machine à glaçons
14. Tiroir supérieur du congélateur
15. Tiroir inférieur du congélateur
16. Pied inférieur réglable gauche



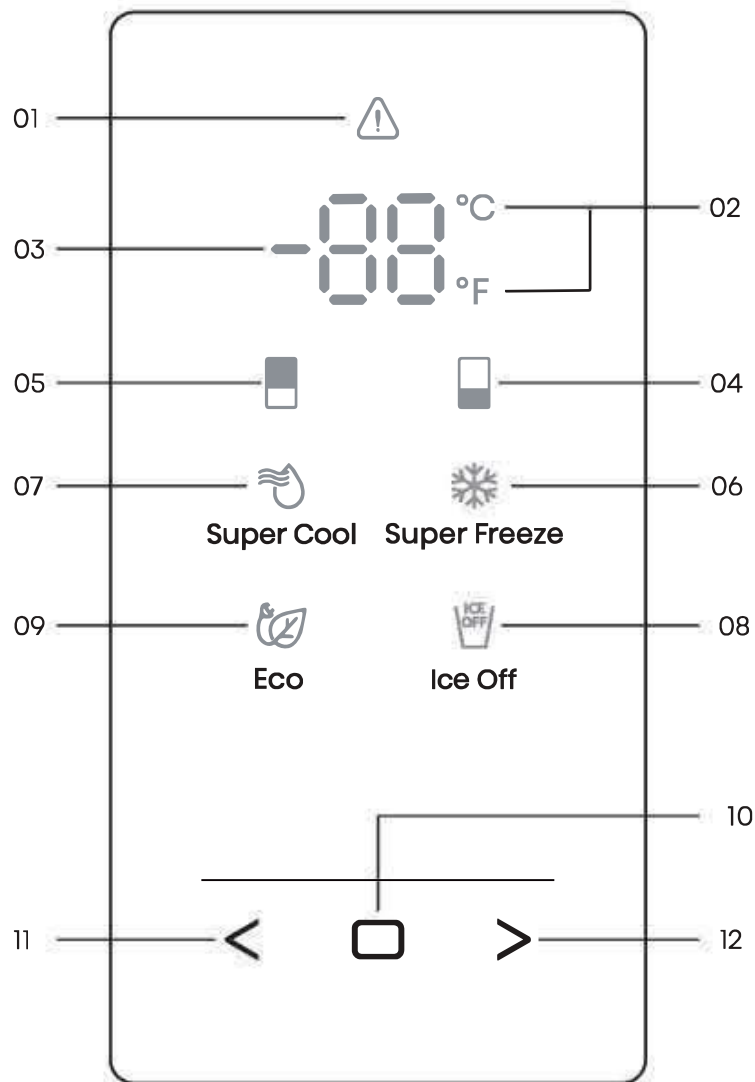
### Remarque

En raison du développement constant de nos produits, votre réfrigérateur peut être légèrement différent de celui-ci, mais les fonctions et les usages restent les mêmes.

Pour obtenir le meilleur rendement énergétique de ce produit, veuillez placer toutes les étagères, paniers à leur position d'origine comme indiqué sur l'illustration ci-dessus.

## Commandes d'affichage

- Utilisez votre appareil selon le contrôle suivant, votre appareil possède les fonctions et les modes correspondants au panneau d'affichage démontré ci-dessous.



- 01. Icône d'alarme
- 02. Indicateur Celsius/Fahrenheit
- 03. Zone de température
- 04. Icône du compartiment congélateur
- 05. Icône du compartiment réfrigérateur
- 06. Icône de super-congélation
- 07. Icône de super-refroidissement

- 08. Icône Sans glace
- 09. Icône Eco
- 10. Commande de confirmation
- 11. Commande du sélecteur de fonction :  
Commande gauche
- 12. Commande du sélecteur de fonction :  
Commande droite

## Commandes d'affichage



### Remarque

#### Remarque :

- Une fois que l'appareil est mis sous tension, toutes les icônes sur le panneau d'affichage seront allumées pendant 3 secondes et un avertissement sonore retentira.
- Toutes les icônes s'éteindront au bout d'une minute si aucune touche n'est enfoncée et que toutes les portes demeurent fermées .
- Le panneau de commande s'allumera quand la porte est ouverte ou que vous appuyez sur une touche.
- Le fait de faire fonctionner le réfrigérateur à une température élevée accélère la décomposition des aliments. Pour une conservation optimale des aliments, nous recommandons, de régler la température du réfrigérateur à 39 °F (4 °C) et celle du congélateur à 0 °F (-18 °C).

#### Attention !

- La température indique uniquement la température moyenne de l'ensemble du cabinet réfrigérateur. Les températures à l'intérieur de chaque compartiment peuvent varier de celles affichées sur le panneau, selon la quantité d'aliments conservés et l'emplacement où le réfrigérateur se trouve.

°C

°F

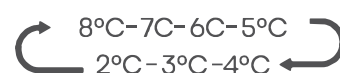
### « Indicateur Celsius et Fahrenheit »

1. Appuyez sur « < » ou « > » à plusieurs reprises jusqu'à ce que l'indicateur Celsius/Fahrenheit « °C » ou « °F » clignote.
2. Appuyez sur la Commande confirmation « □ » pour la première fois, et « °C » ou « °F » sera toujours allumé. Ensuite, chaque fois que vous appuyez sur la Commande de confirmation « □ », la température basculera de °C à °F, et la valeur de réglage de la température de l'unité correspondante s'affichera dans la zone de température.



### « Réglage de la température du réfrigérateur »

1. Appuyez sur le bouton « < » ou « > » à plusieurs reprises jusqu'à ce que l'icône de réfrigérateur « □ » clignote.
2. Appuyez sur la Commande confirmation « □ » pour la première fois, et l'icône de réfrigérateur « □ » sera toujours allumée. Ensuite, appuyez sur la Commande de confirmation « □ » à plusieurs reprises pour faire défiler les réglages de température disponibles, de 8 °C à 2 °C si vous avez réglé l'unité de température sur Celsius.







## Commandes d'affichage

Si vous avez réglé l'unité de température sur Fahrenheit, les réglages de température varieront de 46 °F à 36 °F.

46°F - 45°F - 44°F - 43°F - 42°F - 41°F  
36°F - 37°F - 38°F - 39°F - 40°F

**Remarque :** Chaque fois que vous appuyez sur le bouton, la température diminue d'un degré.

### « Réglage de la température du congélateur »

1. Appuyez sur le bouton « < » ou « > » à plusieurs reprises jusqu'à ce que l'icône de congélateur «  » clignote.
2. Appuyez sur la Commande de confirmation «  » pour la première fois, et l'icône de congélateur «  » sera toujours allumée. Ensuite, appuyez sur la Commande de confirmation «  » à plusieurs reprises pour faire défiler les réglages de température disponibles, de -14 °C à -24 °C si vous avez réglé l'unité de température sur Celsius.

-14°C - -15°C - -16°C - -17°C - -18°C - -19°C  
-24°C - -23°C - -22°C - -21°C - -20°C




Si vous avez réglé l'unité de température sur Fahrenheit, les réglages de température varieront de 7 °F à -11 °F.

7°F - 6°F - 5°F - ...  
-11°F - -10°F - -9°F

**Remarque :** Chaque fois que vous appuyez sur le bouton, la température diminue d'un degré.

### « Super Cool (Super-refroidissement) »

La fonction Super Cool (Super-refroidissement) permet de garder les aliments conservés dans le réfrigérateur à la température définie lorsque l'utilisation est intensive, que les charges sont grosses et que la température ambiante de la pièce est chaude. La fonction Super Cool (Super-refroidissement) abaisse la température du compartiment réfrigérateur à 36 °F (2 °C) pour refroidir les aliments.

1. Appuyez sur le bouton « < » ou « > » à plusieurs reprises jusqu'à ce que l'icône de Super Cool (Super-refroidissement) «  » clignote.
2. Appuyez sur la Commande de confirmation «  » pour activer ou désactiver la fonction Super Cool (Super-refroidissement). Lorsque la fonction Super Cool (Super-refroidissement) est activée, l'icône «  » s'allume.
3. Lors du réglage de la température du réfrigérateur, la fonction Super Cool (Super-refroidissement) sera désactivée et le réglage de la température reviendra au réglage précédent.

**REMARQUE :** La fonction Super Cool (Super-refroidissement) s'éteindra automatiquement au bout de 6 heures.

### « Super Freeze (Super-congélation) »

La fonction Super Freeze (Super-congélation) permet de garder les aliments conservés dans le congélateur à la température définie lorsque l'utilisation est intensive, que les charges sont grosses et que la température ambiante de la pièce est temporairement chaude. La fonction Super Freeze (Super-congélation) abaisse la température du compartiment congélateur à -11 °F (-24 °C) pour congeler les aliments plus rapidement.

## Commandes d'affichage

1. Appuyez sur le bouton « < » ou « > » à plusieurs reprises jusqu'à ce que l'icône de Super Freeze (Super-congélation) « ❄ » clignote.
2. Appuyez sur la Commande de confirmation « □ » pour activer ou désactiver la fonction Super Freeze (Super-congélation). Lorsque la fonction Super Freeze (Super-congélation) est activée, l'icône « ❄ » s'allume.
3. Lors du réglage de la température du congélateur, la fonction Super Freeze (Super-congélation) sera désactivée et le réglage de la température reviendra au réglage précédent.

REMARQUE : La fonction Super Freeze s'éteint automatiquement au bout de 52 heures.

### Attention !

Lorsque vous sélectionnez la fonction Super Freeze (Super-congélation), assurez-vous qu'il n'y a pas de boissons en bouteille ou en canette (en particulier de boissons gazeuses) dans le compartiment congélateur. Les bouteilles et les canettes peuvent exploser.



### « Eco »

La fonction Eco permet au réfrigérateur de fonctionner en mode d'économie d'énergie, ce qui est utile pour réduire la consommation d'énergie lorsque vous êtes absent.

1. Appuyez sur le bouton « < » ou « > » à plusieurs reprises jusqu'à ce que l'icône Eco « 🌿 » clignote.
2. Appuyez sur la Commande de confirmation « □ » pour activer ou désactiver la fonction Eco. Lorsque la fonction Eco est activée, l'icône « 🌿 » s'allume.
3. Lors du réglage de la température du

réfrigérateur ou du congélateur, la fonction Eco sera désactivée et le réglage de la température reviendra au réglage précédent.

**REMARQUE :** Lorsque la fonction Eco est activée, la température du réfrigérateur bascule à 43 °F (6 °C) et la température du congélateur à 1 °F (-17 °C).



### « Machine à glaçons »

L'icône « 🧊 » indique l'état de la fonction de machine à glaçons.

1. Appuyez sur le bouton « < » ou « > » à plusieurs reprises jusqu'à ce que l'icône machine à glaçons « 🧊 » clignote.
2. Appuyez sur la Commande de confirmation « □ » pour activer ou désactiver la fonction Machine à glaçons. Lorsque la fonction Machine à glaçons est activée, l'icône « 🧊 » est éteinte ; lorsque la fonction Machine à glaçons est désactivée, l'icône « 🧊 » est allumée.



### « Alarme d'ouverture de la porte »


Si la porte du réfrigérateur est ouverte pendant plus de 2 minutes, le panneau de commande affichera « dr », l'icône « ⚠ » clignotera et l'avertisseur sonore retentira 3 fois par minute pendant 8 minutes. Appuyez simultanément sur les touches « □ » et « > » et maintenez-les enfoncées pendant trois secondes pendant l'alarme de la porte, l'icône « ⚠ » s'allumera et le bourdonnement s'arrêtera. En fermant la porte du réfrigérateur, l'icône « ⚠ » s'éteindra et l'avertissement sonore s'arrêtera.

## Commandes d'affichage

### Mode démo

Le mode Démo est utilisé pour la présentation en magasin et il empêche le réfrigérateur de générer de l'air froid.

En ce mode sans refroidissement, le réfrigérateur peut sembler fonctionner mais il ne produit pas d'air froid.

Si le mode Demo est activé, la zone de température affichera «  ». Pour désactiver le mode Démo, appuyez simultanément sur les touches « < » et « > » et maintenez-les enfoncées pendant 5 secondes, l'avertisseur sonore émettra un son long.

**REMARQUE :** Le Mode Démo reste activé même si le réfrigérateur est éteint. Si vous entrez dans ce mode de façon non intentionnelle, vous devez le quitter dès que possible, car le réfrigérateur ne refroidira pas en ce mode, ce qui provoquera une détérioration de vos aliments.

## Utilisation de votre appareil

Cette section vous explique comment utiliser la plupart des composantes. Nous vous recommandons de les lire attentivement avant d'utiliser l'appareil.

### 1. Utilisation de votre compartiment de réfrigération

Le compartiment réfrigérateur est adapté au stockage d'aliments. Les aliments à l'intérieur doivent être emballés pour être stockés afin d'éviter la perte d'humidité ou le transfert de saveurs.

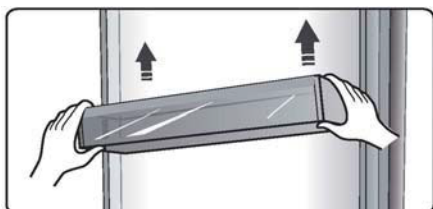


#### Attention

Ne fermez jamais la porte du réfrigérateur alors que les étagères, le bac à légumes et/ou les glissières télescopiques sont déployés. Cela pourrait les endommager et endommager le réfrigérateur.

### Balconnet

Le compartiment réfrigérateur est équipé de plusieurs balconnets, qui sont adaptés au stockage de boissons liquides en cannette et d'aliments emballés. Ils peuvent être placés à différentes hauteurs selon vos besoins. Mais ne placez pas trop d'objets lourds dans les balconnets. Avant de soulever verticalement le balconnet de porte, veuillez retirer les aliments.

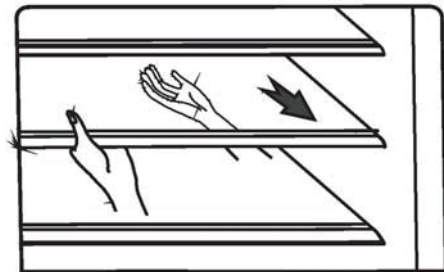


### Étagères en verre

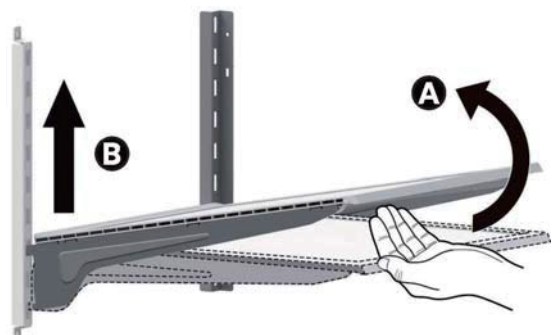
Le compartiment réfrigérateur comporte plusieurs étagères de verre, y compris deux étagères de pleine largeur, une étagère de demi-largeur et une étagère en verre pliable. Elles peuvent être placées à différentes hauteurs selon vos besoins.

Lorsque vous retirez les étagères de pleine largeur, tirez-les délicatement vers l'avant jusqu'à ce qu'elles se dégagent des guides.

Lorsque vous remettez les étagères de pleine largeur en place, assurez-vous qu'il n'y a pas d'obstacle derrière et poussez-les doucement jusqu'à ce qu'elles soient en position.

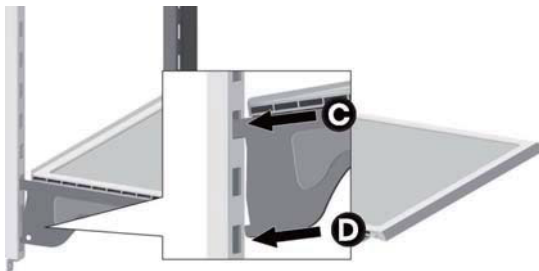


Pour retirer l'étagère de demi-largeur ou l'étagère en verre pliable, inclinez l'avant de l'étagère dans la direction indiquée (A) et soulevez-la verticalement (B). Sortez l'étagère.



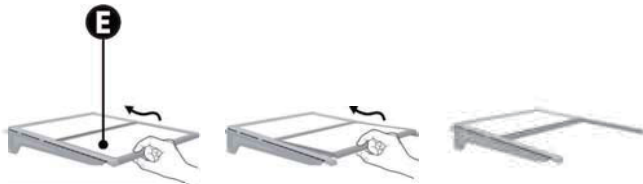
## Utilisation de votre appareil

Pour réinstaller l'étagère de demi-largeur ou l'étagère en verre pliable, inclinez l'avant de l'étagère vers le haut et guidez les crochets d'étagère dans les fentes à la hauteur souhaitée (C). Puis abaissez l'avant de l'étagère pour que les crochets puissent tomber dans les fentes (D).

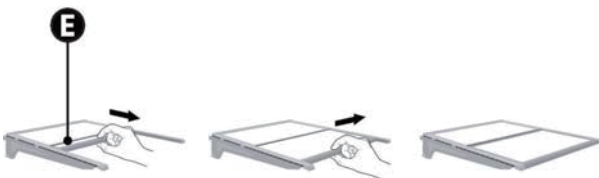


L'étagère en verre pliable peut être pliée si vous voulez placer de grandes bouteilles dans le compartiment réfrigérateur.

Pour plier l'étagère, tenez le verre amovible (E) et soulevez-le légèrement, puis poussez-le légèrement dans le sens de la flèche.



Pour déplier l'étagère, tenez le verre amovible (E) et tirez-le légèrement dans le sens de la flèche jusqu'à ce qu'il ne puisse plus bouger.

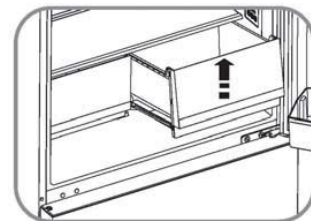
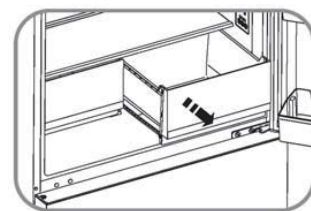


### Remarque

Les étagères de porte et les balconnets peuvent être retirés pour le nettoyage.

### Tiroirs du réfrigérateur

Ces tiroirs sont conçus pour le stockage des fruits et légumes. Vous pouvez les retirer pour le nettoyage. Pour retirer le tiroir, tirez d'abord le tiroir puis basculez-le vers le haut comme illustré ci-dessous. Refaire les étapes dans l'ordre opposée pour repositionner le tiroir correctement.



### 2. Utilisation de votre compartiment congélateur

Le compartiment congélateur est adapté au stockage des aliments qui doivent être congelés, tels que la viande, le poisson, la crème glacée et d'autres denrées périssables.

### Attention

Veillez vous assurer que les bouteilles ne sont pas laissées dans le congélateur plus longtemps que nécessaire, car la congélation peut entraîner la bouteille de se casser. Les liquides en conserve ou en bouteille risquent d'exploser en raison de l'expansion du volume et donc ne doivent pas être conservés dans le compartiment congélateur.

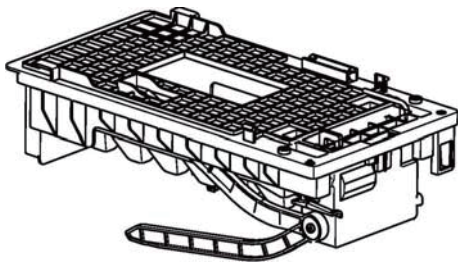
## Utilisation de votre appareil

### Tiroir du congélateur

Le compartiment congélateur comporte deux tiroirs et une boîte à glaçons. Pour les retirer, suivez les étapes à la page 9 et à la page 10.

### Machine à glaçons automatique (applicable uniquement aux modèles avec machine à glaçons)

La machine à glaçons automatique dans le compartiment congélateur peut produire de la glace automatiquement.



#### Remarque

- Lorsque la machine à glaçons déverse des glaçons dans la boîte à glaçons, le bruit que vous entendez fait partie du fonctionnement normal.
- Si vous n'utilisez pas de glaçons pendant une longue période de temps, les glaçons peuvent s'accumuler dans la boîte à glaçons. Si cela se produit, retirez tous les glaçons et videz la boîte.
- Le premier lot de glace produite par la machine à glaçons ne peut pas être utilisé et doit être jeté, car il n'est pas propice à la consommation.



#### Remarque

- Si vous partez pour de longues vacances ou un voyage d'affaires et que vous n'utilisez pas la machine à glaçons pendant un certain temps, veuillez couper l'alimentation en eau pour éviter toute fuite.
- Ne stockez pas de conserves liquide dans la boîte à glaçons, elles pourraient éclater.



#### AVERTISSEMENT

Ne permettez pas aux enfants de toucher la machine à glaçons. Cela pourrait provoquer des blessures.

## Nettoyage et entretien

Pour des raisons d'hygiène, votre appareil (y compris les accessoires intérieurs et extérieurs) doit être nettoyé régulièrement (au moins tous les deux mois).

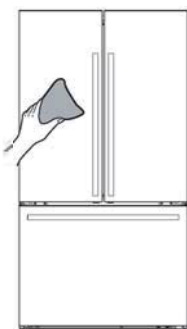
### Avertissement

L'appareil ne doit pas être branché à la prise de courant pendant le nettoyage. Risque de choc électrique ! Avant de procéder au nettoyage éteignez l'appareil et retirez la fiche d'alimentation de la prise de courant.

### Nettoyage extérieur

Pour maintenir le bel aspect de votre appareil, vous devez le nettoyer régulièrement.

- Essuyez le panneau numérique et le panneau d'affichage avec un chiffon propre et doux.
- Vaporisez de l'eau sur le chiffon de nettoyage au lieu de la vaporiser directement sur la surface de l'appareil. Cela permet d'assurer une répartition uniforme de l'humidité sur la surface.
- Nettoyez les portes, les poignées et les surfaces avec un détergent doux et puis essuyez-les avec un chiffon doux.

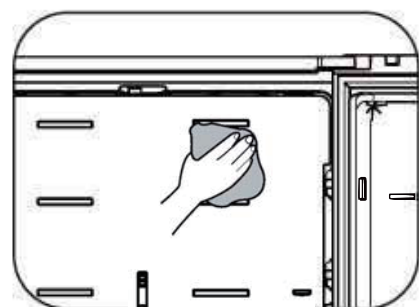


### Avertissement

- N'utilisez pas d'objets tranchants, car ils risquent de rayer la surface.
- N'utilisez pas de diluant, de détergent pour voiture, d'eau de javel, d'huile étherée, de nettoyeurs abrasifs ou de solvant organique tel que le benzène pour le nettoyage. Ils peuvent endommager la surface de l'appareil et provoquer un incendie.

### Nettoyage intérieur

- Vous devez nettoyer l'intérieur de l'appareil régulièrement. Il sera plus facile de le nettoyer lorsque la quantité de stocks alimentaires à l'intérieur est réduite. Vous pouvez retirer les tiroirs et les étagères pour un nettoyage plus approfondi.
- Essuyez l'intérieur du réfrigérateur avec une solution à base de bicarbonate de soude, puis rincez-le à l'eau chaude avec une éponge ou un chiffon essoré. Essuyez-les complètement avant de replacer les étagères et les paniers.
- Essuyez soigneusement toutes les surfaces et les pièces amovibles avant de les remettre en place.



## Nettoyage et entretien

- Bien que cet appareil se dégivre automatiquement, une couche de givre peut se former sur les parois intérieures du compartiment congélateur si la porte du congélateur est ouverte fréquemment ou pendant trop longtemps.

- Si le givre est trop épais, choisissez un moment où le congélateur est presque vide et procédez comme suit :

1. Retirez les paniers d'aliments et d'accessoires existants, débranchez l'appareil de l'alimentation secteur et laissez les portes ouvertes.

Ventilez soigneusement la pièce pour accélérer le processus de dégivrage.

2. Une fois le dégivrage terminé, nettoyez votre congélateur comme décrit ci-dessus.



### Avertissement

- N'utilisez pas d'objets pointus pour enlever le givre du compartiment congélateur.
- C'est seulement après que l'intérieur soit sec que l'appareil doit être remis en marche et rebranché sur la prise de courant.

### Nettoyage des joints de porte

Veillez à ce que les joints de porte restent propres. Les aliments et les boissons peuvent faire coller les joints d'étanchéité et les déchirer

lorsque vous ouvrez la porte. Lavez les joints avec un détergent doux et de l'eau chaude. Rincez-les et séchez-les soigneusement après le nettoyage.

### Remplacement de la lumière DEL

Pour remplacer la lampe DEL, les étapes suivantes peuvent être suivies :

1. Débranchez votre appareil.
2. Tenez une lame fine, insérez-la dans l'espace à chaque extrémité de l'abat-jour et inclinez une extrémité de l'abat-jour.
3. Insérez la lame à l'autre extrémité et inclinez l'abat-jour section par section jusqu'à ce qu'il tombe.
4. Appuyez sur l'encliquetage élastique de la boîte à lampe avec un tournevis à lame mince, et tirez une extrémité de l'encliquetage élastique de la lampe DEL jusqu'à ce que celle-ci se détache, puis retirez la borne de connexion de la lampe DEL.
5. Remplacez la lampe DEL, installez-la et l'abat-jour correctement en place.



### Avertissement

La lampe DEL doit être remplacée par du personnel professionnel. Si la lampe DEL est endommagée, appelez le service à la clientèle pour assistance.

## Conseils et astuces utiles

### Conseils pour économiser de l'énergie

Nous vous recommandons de suivre les conseils suivants pour économiser de l'énergie.

- Essayez de ne pas laisser la porte ouverte pendant de longues périodes afin d'économiser de l'énergie.
- Assurez-vous de maintenir l'appareil à l'écart de toute source de chaleur (Lumière directe du soleil, four électrique ou cuisinière, etc.)
- Ne réglez pas la température plus basse que nécessaire.
- Ne conservez pas d'aliments chauds ou de liquide qui s'évapore dans l'appareil. Placez l'appareil dans une pièce bien ventilée et exempte d'humidité. Référez-vous au chapitre – Installation de votre nouvel appareil.
- Le schéma de l'appareil montre la configuration idéale des tiroirs, du bac à légumes et des étagères. N'ajustez pas la combinaison car elle est conçue pour être la configuration la plus économe en énergie.

### Conseils pour la réfrigération des aliments frais

- Ne placez pas d'aliments chauds directement dans le réfrigérateur ou le congélateur, car l'augmentation de la température interne obligera le compresseur à fonctionner plus intensivement et à consommer plus d'énergie.
- Couvrez ou enrobez les aliments, en particulier s'ils ont une forte odeur.
- Placez les aliments correctement pour que l'air circule librement autour d'eux.

### Conseils pour la réfrigération

- **Viandes (Tous les Types) Enrobez les aliments dans un polyéthylène :** enrobez-les et placez-les sur l'étagère en verre au-dessus du tiroir à légumes. Respectez toujours les durées de stockage des aliments et les dates d'utilisation suggérées par les producteurs.
- **Aliments cuits, plats froids, etc. :** Ils peuvent être couverts et placés sur n'importe quelle étagère.
- **Fruit et légumes :** Ils peuvent être stockés dans le tiroir spécial prévu à cet effet.
- **Beurre et fromage :** Ils doivent être emballés dans une feuille hermétique ou un film plastique.
- **Bouteilles de lait :** Elles doivent avoir un couvercle et être stockées dans les étagères de porte.

### Conseils pour la congélation

- Lors de la première mise en marche ou après une période hors service, laissez l'appareil fonctionner pendant au moins 2 heures avec les réglages les plus élevés avant de mettre des aliments dans le compartiment.
- Préparez les aliments en petites portions pour qu'ils puissent être rapidement et complètement congelés et qu'ils ne soient possibles d'être décongelés ultérieurement que la quantité requise.
- Enrobez les aliments dans du papier d'aluminium ou des emballages alimentaires en polyéthylène qui sont étanches à l'air.
- Ne laissez pas les aliments frais et non congelés toucher les aliments qui sont déjà congelés afin d'éviter une décongélation partielle.

## Conseils et astuces utiles

- Il est recommandé d'étiqueter et de dater chaque emballage congelé afin de suivre la durée de stockage.

### Conseils pour la réfrigération des aliments frais

- Assurez-vous que les aliments congelés ont été stockés correctement par le détaillant d'aliments.
- Une fois décongelés, les aliments se détérioreront rapidement et ne doivent pas être recongelés.
- Ne dépassez pas la durée de stockage indiquée par le producteur d'aliments.

### Mise hors tension de votre appareil

Si l'appareil doit être éteint pendant une période prolongée, les mesures suivantes doivent être prises pour éviter les moisissures sur l'appareil.

1. Retirez tous les aliments.
2. Débranchez la fiche d'alimentation de la prise de courant.
3. Nettoyez et séchez l'intérieur soigneusement.
4. Veillez à ce que toutes les portes soient légèrement ouvertes pour permettre à l'air de circuler.

## Dépannage

Si vous rencontrez un problème avec votre appareil ou que vous pensez que l'appareil ne fonctionne pas correctement, vous pouvez effectuer des vérifications simples avant d'appeler le service après-vente, voir ci-dessous. Vous pouvez effectuer quelques contrôles simples conformément à cette section avant d'appeler le service.



### Avertissement

1. N'essayez pas de réparer l'appareil vous-même. Si le problème persiste après avoir effectué les vérifications mentionnées ci-dessus, contactez un électricien qualifié, un technicien de maintenance autorisé ou le magasin où vous avez acheté le produit.
2. Une déclaration d'avertissement concernant le piégeage des enfants est incluse ci-dessous.

## Dépannage



### AVERTISSEMENT

Risque de piégeage des enfants. Avant de jeter votre ancien réfrigérateur ou congélateur :

- Enlevez les portes.
- Laissez les étagères en place pour que les enfants ne puissent pas facilement grimper à l'intérieur.

Problème	Cause possible et solution
L'appareil ne fonctionne pas correctement	Vérifiez si le cordon d'alimentation est correctement branché dans la prise de courant.
	Vérifiez le fusible ou le circuit de votre alimentation électrique, remplacez-le si nécessaire.
	Il est normal que le congélateur ne fonctionne pas pendant le cycle de dégivrage, ou pendant peu de temps après la mise sous tension de l'appareil pour protéger le compresseur.
Odeurs provenant du compartiment	L'intérieur peut avoir besoin d'être nettoyé.
	Certains aliments, récipients ou emballages engendrent des odeurs.
Bruit généré par l'appareil	<p>Les sons ci-dessous sont tout à fait normaux :</p> <ul style="list-style-type: none"> <li>• Bruits de fonctionnement du compresseur.</li> <li>• Bruit de mouvement de l'air du petit moteur du ventilateur dans le compartiment congélateur ou dans d'autres compartiments.</li> <li>• Son de gargouillement similaire au bouillonnement de l'eau.</li> </ul> <p>Bruit d'éclatement pendant le dégivrage automatique.</p> <ul style="list-style-type: none"> <li>• Bruit de cliquetis avant le démarrage du compresseur.</li> <li>• Bruit de cliquetis lorsque vous obtenez de l'eau.</li> <li>• Bruits de rotation du moteur quand vous obtenez de la glace.</li> </ul>

## Dépannage

Problème	Cause possible et solution
Bruit généré par l'appareil	<p>D'autres bruits inhabituels sont dus aux raisons ci-dessous et peuvent nécessiter que vous effectuiez une vérification et preniez des mesures :</p> <ul style="list-style-type: none"> <li>• L'appareil n'est pas à niveau.</li> <li>• L'arrière de l'appareil touche le mur.</li> <li>• Les bouteilles ou les contenants tombent ou roulent.</li> </ul>
Le moteur fonctionne en continu	<p>Il est normal d'entendre fréquemment le bruit du moteur, il devra fonctionner plus dans les circonstances suivantes :</p> <ul style="list-style-type: none"> <li>• La température est réglée plus bas que nécessaire.</li> <li>• Une grande quantité d'aliments chauds a récemment été stockée dans l'appareil.</li> <li>• La température extérieure de l'appareil est trop élevée.</li> <li>• Les portes restent ouvertes trop longtemps ou trop souvent.</li> <li>• Après l'installation de l'appareil ou s'il a été éteint pendant une longue période.</li> </ul>
Une couche de givre se produit dans le compartiment	<p>Assurez-vous que les sorties d'air ne sont pas bloquées par des aliments et que les aliments sont placés dans l'appareil de manière à permettre une ventilation suffisante. Assurez-vous que la porte peut être complètement fermée. Pour enlever le givre, référez-vous au chapitre nettoyage et entretien.</p>
La température intérieure est trop chaude	<p>Vous avez peut-être laissé les portes ouvertes trop longtemps ou trop fréquemment ;</p> <ul style="list-style-type: none"> <li>• Ou les portes sont maintenues ouvertes par un obstacle ;</li> <li>• Ou l'appareil est placé dans un endroit avec un espace insuffisant sur les côtés, à l'arrière et sur le dessus.</li> </ul>
La température intérieure est trop froide	<p>Augmentez la température en suivant le chapitre « Commandes d'affichage ».</p>
Les portes ne se ferment pas facilement	<p>Vérifiez si le haut du réfrigérateur est incliné vers l'arrière de 0,1"-0,2" (2,5-5 mm) pour permettre aux portes de se refermer, ou que quelque chose à l'intérieur empêche les portes de se fermer.</p>

## Dépannage

Problème	Cause possible et solution
La lumière ne fonctionne pas	<ul style="list-style-type: none"> <li>• La lumière DEL peut être endommagée. Reportez-vous au remplacement des lumières DEL dans le chapitre nettoyage et entretien.</li> <li>• Le système de commande a désactivé les lampes du fait que la porte est maintenue ouverte pendant trop longtemps. Fermez et rouvrez la porte pour réactiver les lumières.</li> </ul>
Bouillonnement de l'eau entendu dans le réfrigérateur	<ul style="list-style-type: none"> <li>• C'est normal. Le bouillonnement provient du fluide réfrigérant circulant dans le réfrigérateur.</li> </ul>
Aucune glace n'est fabriquée	<ul style="list-style-type: none"> <li>• Avez-vous attendu 24 heures pour faire de la glace après l'installation de la ligne d'alimentation en eau ? Si elle n'est pas suffisamment froide, il peut prendre plus de temps pour fabriquer des glaçons, par exemple lors de la première installation.</li> <li>• La conduite d'eau est-elle connectée et la vanne d'eau est-elle ouverte ? Avez-vous désactivé manuellement la fonction de fabrication de glaçons ?</li> <li>• Y a-t-il de la glace bloquée dans le seau de la machine à glaçons ?</li> <li>• La pression de l'eau est-elle inférieure à 30 psi ? Installez une pompe d'appoint pour compenser la basse pression.</li> <li>• La température du congélateur est-elle trop élevée ? Essayez de baisser un peu la température du congélateur.</li> <li>• La machine à glaçons ne fabrique pas de glaçons assez rapidement. Veuillez patienter au moins 90 minutes.</li> <li>• Retirez le seau et vérifiez si la glace s'agglutine ou colle à la paroi, brisez la glace à l'aide d'un ustensile en plastique et jetez-la.</li> </ul>

## Mise au rebut de l'appareil

Il est interdit d'éliminer cet appareil avec les déchets ménagers.

### Matériaux d'emballage

Les matériaux d'emballage avec le symbole de recyclage sont recyclables. Jetez l'emballage dans un contenant de collecte de déchets approprié pour le recycler.

### Avant la mise au rebut de l'appareil

1. Retirez la fiche d'alimentation de la prise de courant.
2. Coupez le cordon d'alimentation et jetez-le.



### Avertissement

Les réfrigérateurs contiennent des réfrigérants et des gaz dans l'isolation. Le réfrigérant et les gaz doivent être éliminés de manière professionnelle, car ils peuvent provoquer des lésions oculaires ou l'ignition. Assurez-vous que le tuyau de réfrigérant n'est pas endommagé avant de l'éliminer correctement.

	<b>Mise au rebut correcte de ce produit</b>
	<p>Ce marquage indique que cet appareil ne doit pas être jeté avec les déchets ménagers. Afin d'éviter tout dommage éventuel de la mise au rebut des déchets incontrôlée à l'environnement ou à la santé humaine, recyclez-le de manière responsable afin de promouvoir la réutilisation des ressources matérielles. Pour retourner votre dispositif utilisé, veuillez utiliser les systèmes de retour et de collecte ou contacter le détaillant chez qui le produit a été acheté. Ils peuvent prendre ce produit pour un recyclage respectueux de l'environnement.</p>

## GARANTIE LIMITÉE DES GROS APPAREILS MÉNAGERS TRUARCTIC®

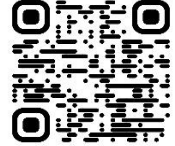
ATTACHEZ ICI VOTRE REÇU DE VENTE. UNE PREUVE D'ACHAT EST OBLIGATOIRE POUR OBTENIR L'APPLICATION DE LA GARANTIE.

Lorsque vous appelez le centre de service à la clientèle, veuillez garder à disposition les renseignements suivants :

- Nom, adresse et numéro de téléphone
- Le numéro de modèle de l'appareil
- Le numéro de série
- La date d'achat
- Une description claire et détaillée du problème rencontré
- Une preuve d'achat incluant le nom et l'adresse du marchand ou du détaillant

### SI VOUS AVEZ BESOIN DE SERVICE :

Avant de nous contacter pour une réparation, assurez-vous d'abord que votre appareil a vraiment besoin d'être réparé. Certaines questions peuvent être réglées sans intervention. Prenez quelques minutes pour consulter la section Dépannage du manuel d'utilisation, ou scannez le code QR à droite ou visitez le site [www.truarctic.com](http://www.truarctic.com) pour accéder à plus d'infos. Vous pouvez aussi contacter votre détaillant TRUARCTIC autorisé pour en savoir plus.



Pendant un an à compter de la date d'achat, lorsque ce gros appareil ménager est installé, utilisé et entretenu conformément aux instructions jointes à ou fournies avec le produit, TRUARCTIC décidera à sa seule discrétion de remplacer le produit ou de couvrir le coût des pièces spécifiées par l'usine et de la main-d'œuvre nécessaires pour corriger les vices de matériaux ou de fabrication qui existaient déjà lorsque ce gros appareil ménager a été acheté. S'il est remplacé, l'appareil sera couvert pour la période restant à courir de la garantie limitée d'un an du produit d'origine.

LE SEUL ET EXCLUSIF RECOURS DU CLIENT DANS LE CADRE DE LA PRÉSENTE GARANTIE LIMITÉE CONSISTE EN LA RÉPARATION PRÉVUE PAR LA PRÉSENTE.

Le service doit être fourni par une compagnie de service désignée par TRUARCTIC. Cette garantie limitée est valide uniquement au Canada et s'applique exclusivement lorsque le gros appareil ménager est utilisé dans le pays où il a été acheté. La présente garantie limitée est valable à compter de la date d'achat initial par le consommateur. Une preuve de la date d'achat initial est exigée pour obtenir un dépannage dans le cadre de la présente garantie

### CE QUI N'EST PAS COUVERT

1. Produits dont les numéros de modèle ou de série d'origine ont été retirés, modifiés ou sont impossibles à identifier clairement.
2. Produits transférés à un nouveau propriétaire ou déplacés hors du Canada ou des États-Unis.
3. Produits utilisés dans un cadre commercial, non résidentiel, multifamilial, ou dans toute situation non conforme aux instructions d'utilisation, d'installation ou d'entretien publiées.
4. Produits achetés « tels quels », y compris les modèles de démonstration et les articles en boîte ouverte.
5. Dommages esthétiques comme des égratignures, bosses, éclats, décoloration, rouille ou oxydation causés par des environnements corrosifs ou agressifs (exposition élevée au sel, forte humidité, contact avec des produits chimiques), sauf s'ils sont signalés dans les 30 jours et reconnus comme des défauts de matériaux ou de fabrication.
6. Rouille présente sur toute surface intérieure ou extérieure de l'appareil.
7. Perte de nourriture, boissons ou médicaments due à une panne du réfrigérateur ou du congélateur.
8. Remplacement de pièces consommables telles que les ampoules, piles, filtres à air ou à eau, solutions de conservation, boutons, poignées ou autres éléments esthétiques.
9. Interventions qui ne concernent pas un défaut de fabrication ou de matériau, y compris les appels pour expliquer le fonctionnement de l'appareil ou corriger une mauvaise installation ou un mauvais entretien.
10. Interventions nécessaires pour corriger une installation non conforme aux normes électriques ou de plomberie en vigueur, ou pour réparer des problèmes liés au système électrique ou de plomberie de la maison (câblage, fusibles, tuyaux d'arrivée d'eau, etc.).
11. Frais engagés pour rendre l'appareil accessible au service, incluant le retrait ou la réinstallation de moulures, armoires, panneaux décoratifs, planchers, îlots, comptoirs, cloisons sèches ou autres éléments fixes.
12. Frais de transport, ramassage, livraison, déplacements, péages, traversiers ou interventions dans des zones éloignées.
13. Dommages causés aux biens (planchers, armoires, murs) lors de l'installation, du retrait ou du service de l'appareil.
14. Conversion de l'appareil du gaz naturel au propane liquide ou inversement.
15. Réparations ou dommages causés par un fournisseur de service non autorisé ou par l'utilisation de pièces non d'origine.
16. Modifications, altérations ou réparations non autorisées apportées à l'appareil.
17. Dommages résultant d'une mauvaise utilisation, d'un usage abusif, d'un accident, d'une alimentation électrique inadéquate, d'un incendie, d'une inondation ou d'autres causes externes, y compris les cas de force majeure.

**Le coût d'une réparation ou d'un remplacement dans le cadre de ces circonstances exclues est à la charge du client.**

### CLAUSE D'EXONÉRATION DE RESPONSABILITÉ AU TITRE DES GARANTIES IMPLICITES

LES GARANTIES IMPLICITES, Y COMPRIS LES GARANTIES APPLICABLES DE QUALITÉ MARCHANDE OU D'APTITUDE À UN USAGE PARTICULIER, SONT LIMITÉES À UN AN OU À LA PLUS COURTE PÉRIODE AUTORISÉE PAR LA LOI. Certains provinces ne permettent pas de limitation sur la durée des garanties implicites de qualité marchande ou d'aptitude à un usage particulier, de sorte que la limitation ci-dessus peut ne pas être applicable dans votre cas. Cette garantie vous confère des droits juridiques spécifiques et vous pouvez également jouir d'autres droits qui peuvent varier d'une juridiction à l'autre.

### EXONÉRATION DE RESPONSABILITÉ DANS LES DOMAINES NON COUVERTS PAR LA GARANTIE

TRUARCTIC décline toute responsabilité au titre de la qualité, de la durabilité ou en cas de dépannage ou de réparation nécessaire sur ce gros appareil ménager autre que les responsabilités énoncées dans la présente garantie. Si vous souhaitez une garantie plus étendue ou plus complète que la garantie limitée fournie avec ce gros appareil ménager, adressez-vous à TRUARCTIC ou à votre détaillant pour obtenir les modalités d'achat d'une garantie étendue.

### LIMITATION DES RECOURS; EXCLUSION DES DOMMAGES FORTUITS OU INDIRECTS

LE SEUL ET EXCLUSIF RECOURS DU CLIENT DANS LE CADRE DE LA PRÉSENTE GARANTIE LIMITÉE CONSISTE EN LA RÉPARATION PRÉVUE PAR LA PRÉSENTE. TRUARCTIC N'ASSUME AUCUNE RESPONSABILITÉ POUR LES DOMMAGES FORTUITS OU INDIRECTS. Certains provinces ne permettent pas l'exclusion ou la limitation des dommages fortuits ou indirects de sorte que ces limitations et exclusions peuvent ne pas être applicables dans votre cas. Cette garantie vous confère des droits juridiques spécifiques et vous pouvez également jouir d'autres droits qui peuvent varier d'une juridiction à l'autre.