

**SPECIFICATIONS AND PARAMETERS**

**12 Cu.Ft. Bottom Freezer Refrigerator**

- Digital temperature control
- Frost free
- E star energy rating
- Interior lighting
- 3 Removable glass shelves
- Recessed door handle , reversible door
- Transparent crisper drawers
- 3 Fridge door bins
- 3 Freezer drawers

**Capacity**

Refrigerator /cu.ft.	8.51
Freezer /cu.ft.	3.46
Total /cu.ft.	12.0

**Energy**

Energy Consumption (kWh/Year)	400
ENERGY STAR® Certified	Yes

**Water & Ice System**

Ice & Water dispenser	No
Ice system	No

**Cooling system**

Compressor Cooling	Yes
Amount of the refrigerant	R600a/2.1oz
Temperature Sensor	Yes

**Convenience**

Temperature control	Digital
Display type	LED
Child lock	No

**Refrigerator**

No. of shelves	3
Material of the shelves	Glass
Crisper Drawer	1
No.of the door bins	3
Material of the door bins	Plastic
Fridge door handle	Recessed handle

**Freezer**

No. of freezer drawers	3
Material of the drawers	Plastic
No. of the door bins	No
Freezer door handle	Recessed handle

**Material and Finish**

Surface	Smooth
Fingerprint & Smudge Resistant Exterior	No
Hidden Hinges	Yes

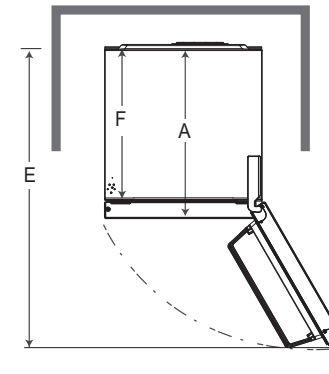
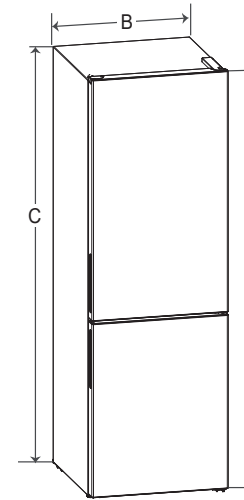
**Technical specification**

Required Power Supply	120V, 60 Hz, 1.5A
Voice level/dB(A)	≤42
Climate class	SN/N/ST

**Dimensions/Clearances/Weights**

B	Product width /in	23.4
A	Product depth /in	26.2
C	Product height /in	72.2
D	Height to top of the hinge/in	73.4
F	Depth without door/in	25.8
E	Depth (total with door open)/in	45.1
	Installation clearance/in	sides 2",top 2" ,back 2"
	Approx. net weight/lbs	133.8
	Approx. gross weight/lbs	151.0
	Packaging dimension WDH/in	25.8*28.9*76.3

Dimensions/Clearances



**Installation Notes :**

1. The installation location chosen for the refrigerator should allow space behind the unit for connections and airflow as well as space in front to open the doors and drawers.
2. Too small of a distance from adjacent items may result in lowered freezing capability and increased electricity consumption charges. Allow at least 2 inches (50mm) between the back of the refrigerator and the wall.