

# TRUARCTIC

## INSTALLATION USER MANUAL

30 Inch Under Cabinet Range Hood



**TAUC30240SS**



## CONTENT

WARNING.....	1
PACKAGE INCLUDES.....	3
TOOLS/MATERIALS REQUIRED.....	3
COOKING SAFETY INFORMATION.....	4
CLEANING SAFETY INFORMATION.....	4
PLANNING INSTALLATION.....	4
VENTING OPTIONS.....	5
FOLLOW THESE GUIDELINESS WHEN INSTALLING DUCTWORK.....	5
WIRING CONNECTIONF REQUIREMENTS.....	6
INSTALLING THE RANGE HOOD.....	7
OPERATION.....	8
MAINTENANCE.....	9
CARE AND CLEANING.....	9
TROUBLESHOOTING.....	10
SPECIFICATIONS.....	10
WIRING DIAGRAM.....	11
SERVICE PARTS.....	11
EXTERNAL DIAGRAM OF THE RANGE HOOD.....	12
WARRANTY.....	13

## WARNING



**TO REDUCE THE RISK OF FIRE, ELECTRIC SHOCK, OR INJURY TO PERSONS, OBSERVE THE FOLLOWING:**



- Use this unit only in the manner intended by the manufacturer. If you have questions, contact the manufacturer at the address or telephone number listed in the warranty.
- Before servicing or cleaning unit, switch power off at service panel and lock the service disconnecting means to prevent power from being switched on accidentally. When the service disconnecting means cannot be locked, securely fasten a prominent warning device, such as a tag, to the service panel.



- Installation work and electrical wiring must be done by a qualified person(s) in accordance with all applicable codes and standards, including fire-rated construction codes and standards.
- Sufficient air is needed for proper combustion and exhausting of gases through the flue (chimney) of fuel burning equipment to prevent back drafting. Follow the heating equipment manufacturer's guideline and safety standards such as those published by the National Fire Protection Association (NFPA), and the American Society for Heating, Refrigeration and Air Conditioning Engineers (ASHRAE), and the local code authorities.
- When cutting or drilling into wall or ceiling, do not damage electrical wiring and other hidden utilities.
- Ducted fans must always be vented to the outdoors.
- Do not use this unit with any separate solid-state speed control device.
- To reduce the risk of fire, use only metal ductwork.
- This unit must be grounded.
- When installing, servicing or cleaning the unit, it is recommended to wear safety glasses and gloves.
- When applicable local regulations comprise more restrictive installation and/or certification requirements, the aforementioned requirements prevail on those of this document and the installer agrees to conform to these at his own expense.
- Do not attempt to repair or replace any part of your hood unless it is specifically recommended in this manual. All other servicing should be referred to a qualified technician.

FOR GENERAL VENTILATING USE ONLY. DO NOT USE TO EXHAUST HAZARDOUS OR EXPLOSIVE MATERIALS AND VAPORS.

**⚠ WARNING**



**TO REDUCE THE RISK OF A RANGE TOP GREASE FIRE:**

- Never leave surface units unattended at high settings. Boilovers cause smoking and greasy spillovers that may ignite. Heat oils slowly on low or medium settings.
- Always turn hood ON when cooking at high heat or when flambing food (i.e. Crepes Suzette, Cherries Jubilee, Peppercorn Beef Flambe).
- Clean ventilating fans frequently. Grease should not be allowed to accumulate on fan or filter.
- Use proper pan size. Always use cookware appropriate for the size of the surface element.
- TO REDUCE THE RISK OF INJURY TO PERSONS IN THE EVENT OF A RANGE TOP GREASE FIRE, OBSERVE THE FOLLOWING:\*
- SMOTHER FLAMES with a close-fitting lid, cookie sheet, or metal tray, then turn off the burner. BE CAREFUL TO PREVENT BURNS. If the flames do not go out immediately, EVACUATE AND CALL THE FIRE DEPARTMENT.
- NEVER PICK UP A FLAMING PAN - You may be burned.
- DO NOT USE WATER, including wet dishcloths or towels - violent steam explosion will result.
- Use an extinguisher ONLY if:
- You know you have a Class ABC extinguisher and you already know how to operate it.
- The fire is small and contained in the area where it started.
- The fire department is being called.
- You can fight the fire with your back to an exit.
- Based on "Kitchen Fire Safety Tips" published by NFPA.

**⚠ CAUTION**



- For indoor residential use only.
- To reduce risk of fire and to properly exhaust air, be sure to duct air outside. Do not vent exhaust air into spaces within walls or ceilings or into attics, crawl spaces, or garages.
- Take care when using cleaning agents or detergents.
- Avoid using food products that produce flames under the Range Hood.
- For general ventilating use only. Do not use to exhaust hazardous or explosive materials and vapors.
- To avoid motor bearing damage and noisy and/or unbalanced impellers, keep drywall spray, construction dust, etc. off power unit.
- Your hood motor has a thermal overload which will automatically shut off the motor if it becomes overheated. The motor will restart when it cools down. If the motor continues to shut off and restart, have the hood serviced.
- The bottom of the hood MUST NOT BE LESS than 24" and recommended at a the cooktop for best capture of cooking impurities.
- Use only with range hood cord connection kits that have been investigated and found acceptable for use with this model range hood.
- Please read specification label on product for further information and requirements.

**How to Remove Protective Shipping Film and Packaging Tape**

Carefully grasp a corner of the protective shipping film with your fingers and slowly peel it from the appliance surface. Do not use any sharp items to remove the film. Remove all of the film before using the appliance for the first time.

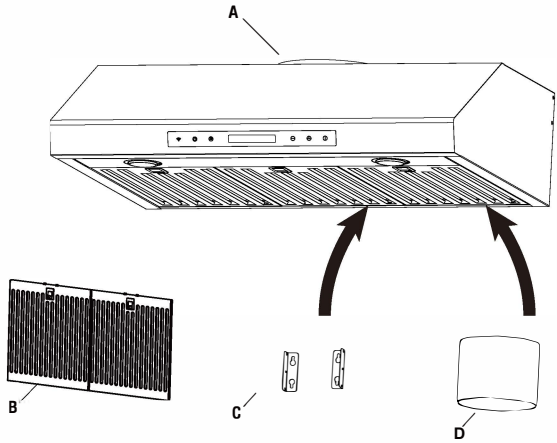
To assure no damage is done to the finish of the product, the safest way to remove the adhesive from packaging tape on new appliances is an application of a household liquid dishwashing detergent. Apply with a soft cloth and allow to soak.

**NOTE:** The adhesive must be removed from all parts.

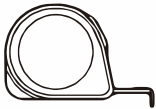
**NOTE:** For further cleaning instructions/suggestions, please refer to the Care and Cleaning section.

PACKAGE INCLUDES:

PART	PART NAME	QTY
A	Range hood	1
B	Stainless steel filters	2
C	Mounting bracket	1
D	Aluminum foil pipe	1



TOOLS/MATERIALS REQUIRED (NOT SUPPLIED)



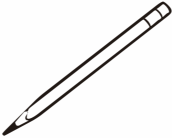
Measuring tape



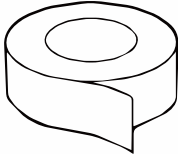
Level



Utility knife



Pencil



Tape



Adjustable wrench



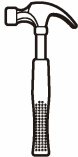
Phillips screwdriver



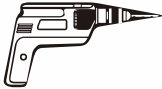
Flathead screwdriver



Needle-nose pliers



Hammer



Electric drill



Safety goggles



Safety gloves

## COOKING SAFETY INFORMATION

- Never leave the range hood unattended when in use.
- Never cook over open flames under the range hood.
- Always turn the range hood on when cooking at high heat or when cooking flaming foods.
- If you choose to hang the range hood as on the right (Fig. 1) distance (D) from the cooktop surface, use extra caution as the surface of the range hood may be extremely hot to the touch. For this unit, distance (D) in Fig. 1 is 458 mm–710 mm (18 in–28 in). If you choose an 18 in installation, the temperature of the unit surface will be high if the unit is operated under high power cooking for a certain amount of time.
- Use caution when cooking with oil or with deep-fryers.
- Overheating may cause oil to reach its flash point and ignite.
- Used oil will ignite at lower temperatures than fresh oil. Heat oils slowly on low to medium setting.
- Avoid boil overs, as they may cause smoking and greasy spillovers that could ignite.
- To prevent burns or fires, always use cookware appropriate to the size of the heating element that you are using.
- In the event of a cooking fire, observe the following:
  - Be careful to avoid burns.
  - Smother flames with a close-fitting lid, cookie sheet, or metal tray, then turn off the burner. If the flames do not go out immediately, evacuate and call the fire department.
  - Never pick up a flaming pan.
  - Do not use water, including wet dishcloths or towels, as you could cause a steam explosion.
  - Use an extinguisher only if: (a) you have a class ABC extinguisher and you know how to operate it, (b) the fire is small and contained in the area where it started, (c) the fire department is being called, and (d) you can fight the fire with your back to the exit.

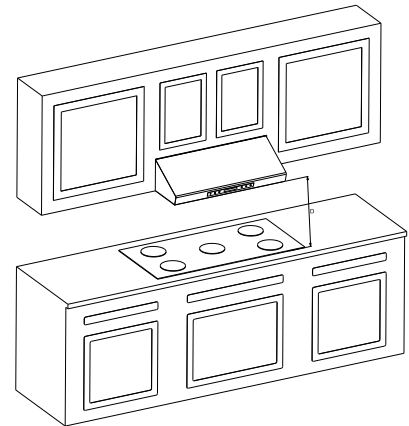


Fig. 1

## CLEANING SAFETY INFORMATION

- The fan and filters must be cleaned periodically and kept free from accumulation of cooking residue. Old and worn filters must be replaced immediately.
- Never disassemble parts to clean. Parts should be disassembled by qualified persons only.

### WARNING

To reduce the risk of fire, use only metal ductwork. Never use plastic ductwork.

### WARNING

To reduce the risk of fire or electric shock, do not use this range hood with any external solid state speed control device.

### CAUTION

For general ventilation use only. Do not use the range hood fans to exhaust hazardous or explosive vapours.

### CAUTION

Never dispose of cigarette ashes, ignitable substances, or any foreign objects in fans.

### CAUTION

At least two people are needed to move and safely install the unit. Failure to properly lift the range hood could result in product damage or personal injury.

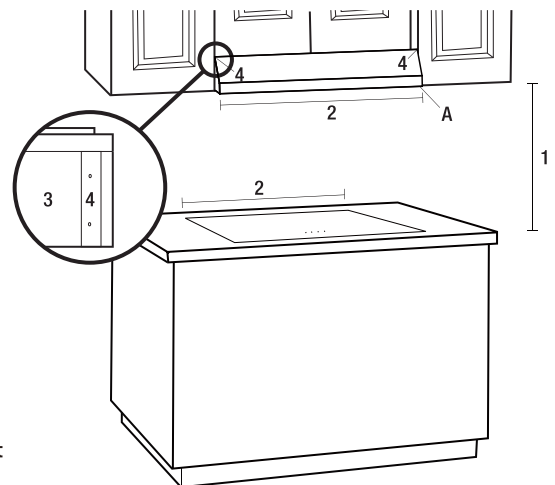


Fig. 2

## PLANNING INSTALLATION

### Number of people required: 2 or more

Carefully check the range hood for damage and for missing parts prior to installation. If there is any damage or if you are missing parts, do not proceed with the installation. Report damage and missing parts immediately. Do not dispose of packaging before you are satisfied with your new range hood.

1. Before installation, measure all distances to ensure the proper position of the range hood (A).
  - The distance (1) from the cooking surface to the range hood must be at least 458 mm (18 in). For the best performance, do not install the range hood more than 635mm (25 in) above the cooking surface.
  - Dimension (2) should be at least 762 mm (30 in). The range hood should be approximately the same size as the cooktop.
2. If the bottom of the cabinet (3) above the location where the range hood is to be installed is recessed, attach appropriately sized wood filler strips (4) on each side using wood screws.
3. Screws are provided to secure the range hood to most types of cabinets, but consult a qualified installer to verify that the supplied screws are suitable for your cabinets.
4. Put a thick, protective covering over your counter, cooktop, or range to protect it from damage and dirt during installation. Remove any hazardous objects around the area.

### WARNING

Always wear safety goggles and gloves during installation.

## VENTING OPTIONS:

- Determine if your existing venting system is top venting or back venting, and ensure that the openings in the cabinet or wall for the damper and for power access are in appropriate locations and are of appropriate sizes, as per Fig. 3 if it is top vent or Fig. 4 if it is back vent. For top venting option (Fig. 3), if you are using the round adapter, the opening should be A and B only. If you are using the rectangular damper, opening should be B and C only.
- If this is a new installation, choose the venting method that suits your needs. Cut out openings for the damper and for power access in the cabinet bottom or exterior wall, depending on the direction of venting chosen.

### Top Venting Option

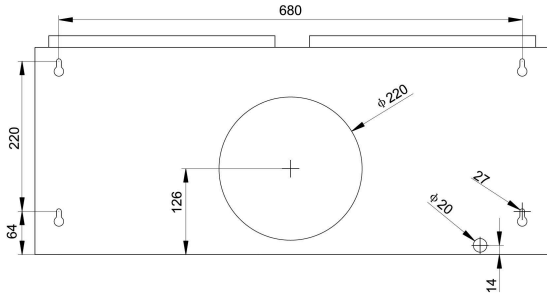


Fig.3

Fig.4

## FOLLOW THESE GUIDELINES WHEN INSTALLING DUCTWORK:

- Your venting system must vent to the outdoors either horizontally through the back wall (13) or vertically through the roof (14) (refer to Fig. 5/Fig. 6/Fig. 7).
- Use round metal ductwork with a uniform diameter of 177 mm (7 in). The total duct run in the venting system should be not more than 10.7 m (35 ft)
- Calculate the total effective length of the ductwork by adding the equivalent lengths in the table shown (Fig. 9). For each fitting used add the length of the equivalent straight duct used in the system.
- Fasten all connections between pieces of duct with sheet metal screws and tape all joints with certified duct tape.
- If you must turn the path of the ductwork using elbows, keep the number of elbows to a minimum for effective performance and use no more than three 90° elbows. Ensure that there is a minimum of 458 mm (18 in) of straight vent between each elbow. Keep elbow as far away from the range hood's exhaust opening as possible.
- Cap the exterior of the duct with a wall cap (15) or roof cap (16). Never use 102 mm (4 in) laundry-type wall caps. Use caulking to seal exterior wall or roof opening around the cap.
- The venting system must have a damper. If the roof or wall cap has a damper, do not use the damper supplied with the range hood.

Horizontal Wall Venting

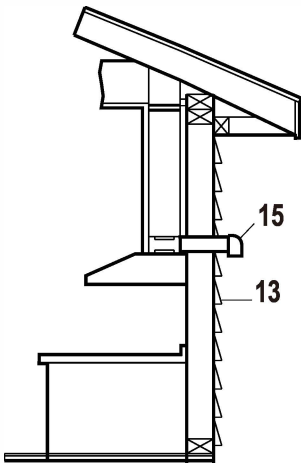


Fig.5

Horizontal Wall Venting

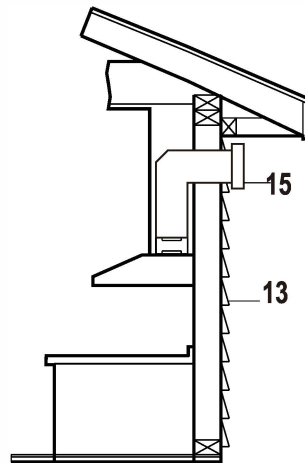


Fig.6

Vertical Roof Venting

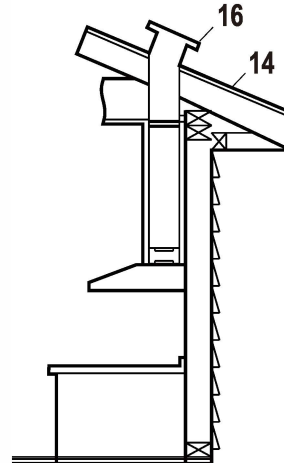


Fig.7

inside venting system

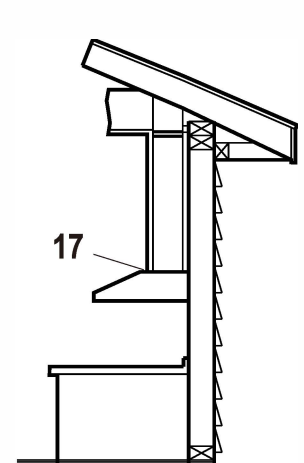


Fig. 8

For inside venting system (air does not exhaust to outdoors) (Fig. 8):

Please refer to the Installation section. The cover on the top plate will be removed and air will be exhausted through the charcoal filter and out from 17.

### Equivalent Length Chart

Type of duct	45° Elbow	90° Elbow	90° Flat elbow	Straight duct	Wall cap
Length added	0.91 m (3 ft)	1.52 m (5 ft)	3.66 m (12 ft)	2.74 m (9 ft)	0 m (0 ft)

## WIRING CONNECTION REQUIREMENTS

Installation work and electrical wiring must be done by a qualified person(s) in accordance with all applicable codes and standards, including fire-rated construction.

### OBSERVE ALL GOVERNING CODES AND ORDINANCE WARNINGS

- Electrical grounding is required for this range hood. Check with a qualified electrician if you are not sure whether the range hood is properly grounded.
- Failure to follow electrical requirements may result in a fire.
- A fuse in the neutral or grounding circuit could result in electrical shock.
- If the hot/cold water pipe is interrupted by plastic nonmetallic gaskets or other materials, DO NOT use for grounding.
- DO NOT GROUND TO A GAS PIPE.

**IMPORTANT:** It is the customer's responsibility to contact a qualified electrical installer and ensure that the electrical installation is adequate and complies with the National Electrical Code, or CSA standards, as well as all local codes and ordinances.

1. Save installation instructions for electrical inspector's use.
2. If codes permit and a separate ground wire is used, it is recommended that a qualified electrician determine if the ground path is adequate.
3. DO NOT use an extension cord or adapter plug with this appliance.
4. The range hood must be connected with copper wire only.
5. The range hood should be connected directly to the junction (or circuit breaker) box through flexible, armoured or nonmetallic sheathed copper cable. Allow some slack in the cable so the appliance can be moved if servicing is ever necessary.
6. A UL listed or CSA approved conduit connector must be provided at each end of the power supply cable at the range hood and at the junction box).
7. When making the electrical connection, cut a 3.2 cm (1-1/4 in) hole in the wall. A hole cut through wood must be sanded until smooth. A hole through metal must have a grommet.
8. When cutting or drilling into the wall or ceiling, do not damage electrical wiring and other hidden utilities.
9. Wire size must conform to all local codes and ordinances. The latest edition requirements of the National Electrical Code ANSI/NFPA 70, or the latest edition CSA Standards C22.1-94, Canadian Electrical Code Part 1 and C22.2 No. 0-M91.

### DANGER

Risk of electrical shock. This range hood must be properly grounded.

Turn off the power circuit breaker or the power switch on the junction box before installing this unit. Touching circuitry inside the range hood while it is energized will result in death or serious injury.

All electrical wiring must be properly installed, insulated, and grounded. Improper insulation and grounding will result in deadly electrical shock.

### NOTE

Temporarily wire the range hood to test it for proper operation. If the range hood does not operate correctly, do not proceed with the installation.

- Use the power supply cable to connect the range hood (A) directly to the junction box or circuit breaker box.
- Use a flexible, armoured, or nonmetallic sheathed copper cable only. Never use an extension cord or adapter plug.
- Connect a UL-listed or CSA-approved conduit connector to each end of the power supply cable (at the range hood and at the junction box). Connect the 2 coloured wires from the range hood (A) to the corresponding wires from the electrical source: black to black (live), white to white (neutral), and the house grounding wire to the ground screw. Use either the top hole (1) or the back hole (2) of the range hood depending on your installation type.
- Turn the power on, and ensure that the lights and the fan are operating correctly.
- Once you have tested the electrical connection, disconnect the power supply cable and wires from the electrical source before proceeding with the rest of the installation.

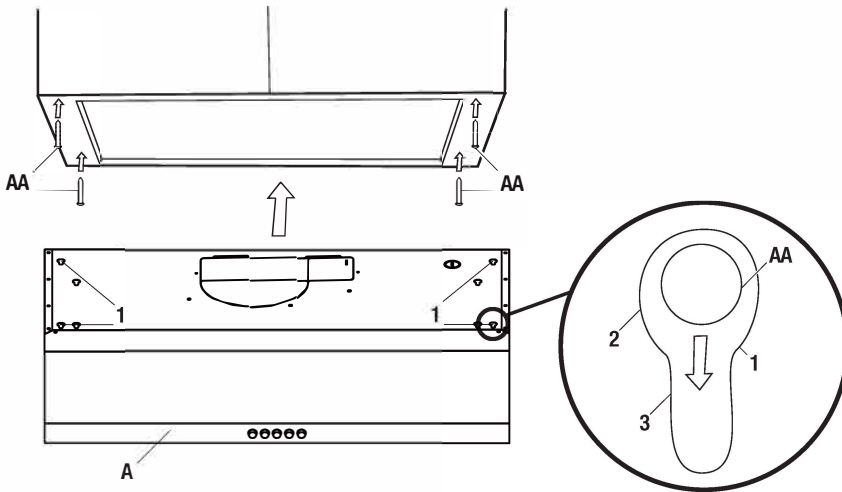
## INSTALLING THE RANGE HOOD

### DANGER

Turn off the power circuit breaker or the power switch on the junction box before installing this unit. Touching circuitry inside the range hood while it is energized will result in death or serious injury.

If installing this unit over a gas range, turn off the gas at the source before installing or servicing this unit.

- Lift the range hood (A) up under the cabinet to determine its final position. Mark the location of the four keyhole mounting slots (1) on the underside of the cabinet.
- Set the range hood (A) aside on a protective surface.
- Drill four pilot holes in the locations that you marked.
- Screw the four long tapping screws (AA) into the pilot holes. Do not tighten the screws all the way—leave the screw heads about 7 mm (0.28 in) from the cabinet surface.
- Lift the range hood (A) into position, feeding the power cable and the electrical wires through the power access opening. Allow some slack in the cable and wires so that the appliance can be moved if servicing is ever necessary.
- Position the range hood (A) so the large end (2) of the keyhole mounting slots (1) is over the screws (AA). Then push the range hood (A) toward the wall so the screws (AA) are in the neck (3) of the keyhole slots. Tighten the screws (AA). Ensure that the range hood (A) is securely fastened to the cabinet before releasing it.
- If applicable, test the damper blade to ensure it rotates up and down freely.
- If applicable, connect the ductwork to the range hood (A). Seal the joints with duct tape to ensure an airtight fit.
- Reinstall the bottom panel, reinstall filters.



### FINAL STEP

- Reconnect the power supply cable and wires to the electrical supply. Turn the power on and ensure that the lights and fan are operating correctly.

## OPERATION

### BLACK SCREEN TOUCH CONTROL



#### A. ACTIVATING NORMAL BLOWER FUNCTION:

While the range hood is off,

Touch (+) to start from lowest speed, F1

Touch (-) to start from highest speed, F4.

Touch (+) or (-) again to change the blower speed as indicated in LCD panel.

#### B. ACTIVATING LIGHT FUNCTION:

Touch the LIGHT button anytime to turn the lights on or off.

#### C. ACTIVATING POWER-OFF DELAY FUNCTION:

1. While the range hood is on, and the blower is running in normal mode touch POWER-OFF delay to activate delay off timer.
2. Adjust to desired period of delay or timer by touching (-) or (+) button quickly (1-15 minutes). Timer begins to countdown immediately, when it reaches 0, the blower will shut off.
3. Display screen will show flashing clock if timer is working.

#### D. CHANGING THE CLOCK (not available on all models) While the blower is off:

1. Touch the power-off delay button once. The hour indicator will be flashing.
2. Use (+) or (-) to adjust to the desired hour.
3. Touch power-off delay button again for the "minutes". Indicator will be flashing.
4. Use (+) or (-) to adjust to the desired minutes.
5. Touch the power-off delay button again to clear the screen. Touch the light button to validate. To check the time, touch the light button.

## MAINTENANCE

### REPLACING FILTERS

When filters need replacing, exchange with similar. Also replace filters that are damaged with punctures, bends, or broken frames.

- Turn off the range hood and disconnect the power.
- Replace with an equivalent filter, then reconnect the power.

### DANGER

Turn off the power circuit breaker or the power switch on the junction box before performing maintenance. Touching circuitry inside the range hood while it is energized will result in death or serious injury.

### WARNING

Failure to replace worn-out or damaged filters will increase the risk of fire.

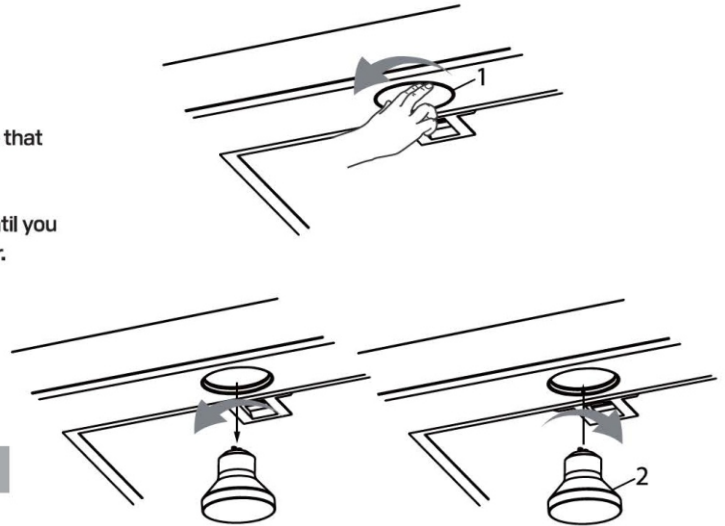
### REPLACING LIGHT BULBS

When light bulbs burn out, replace them with a 5W GU10 base light bulb.

- Turn off the range hood, disconnect it from its power source, and ensure that the lights are cool.
- Turn the bulb (1) counter-clockwise and pull it out to remove it.
- Push in the new bulb (2) and turn it clockwise. Do not release the bulb until you are sure the bulb has been securely installed. Then reconnect the power.
- If new bulbs do not operate, ensure that they are inserted correctly.

### WARNING

Light bulbs can become hot when turned on. Do not touch bulbs until they are switched off and cooled. Touching hot bulbs could cause serious burns



## CARE AND CLEANING

### RANGE HOOD

#### WARNING

Failure to maintain basic standards of care and cleaning of the range hood will increase the risk of fire. The range hood should be cleaned (regularly internally and externally) to preserve its appearance and performance.

#### Do:

- Always clean in the direction of the grain (original polish lines).
- Clean the range hood periodically with hot, soapy water and a clean cotton cloth.
- Always rinse well with clean water two or three times after cleaning. Wipe completely dry with a soft non-abrasive cloth.
- After cleaning, you may polish with a non-abrasive stainless steel polish or cleaner. Always rub lightly and with the grain.
- Ensure that there is no debris in the venting system.

#### Do Not:

- Do not use corrosive or abrasive detergents, steel wool, or scouring pads. These will scratch and damage the stainless steel surface.
- Do not use any products containing chloride, fluoride, iodide, or bromide on this product, as they will deteriorate the surface rapidly.
- Do not allow cleaning compounds, salt solutions, disinfectants, or bleaches to remain in contact with the product for extended periods of time.
- Do not allow any deposits to remain for long periods of time on the range hood. Rinse with water immediately and wipe dry with a clean cloth.
- Do not let plaster dust or any other construction residue enter the hood. During construction or renovation, cover the hood.
- Combustible products used for cleaning such as acetone, alcohol, ether, or benzol are highly explosive and should never be used close to a range or stove.

### FILTER

The filter fitted by the factory is intended to filter out residue and grease from cooking. You do not need to replace them on a regular basis, but you should keep them clean.

#### Do:

- Clean the filter once a month using non-abrasive detergents, either by hand or in the dishwasher.
- When using a dishwasher, set the dishwasher to a low temperature and a short cycle setting. The filter may become discoloured in a dishwasher, but this does not affect its performance.
- Allow filters to completely dry before reinstalling them in the range hood.

#### Do Not:

- Do not allow oil to accumulate over more than 80% of the filter surface. Oil accumulations may drip oil onto the range.
- Do not wash charcoal filter. The charcoal filter should be replaced when it is covered in grease and has reached its maximum absorbancy.

## TROUBLESHOOTING

### DANGER

Turn off the power circuit breaker or the power switch on the junction box before performing maintenance. Touching circuitry inside the range hood while it is energized may result in serious injury or death.

PROBLEM	SOLUTION
The range hood will not operate.	<ul style="list-style-type: none"> <li>• Check that the power supply cable and all electrical wiring are properly connected.</li> <li>• Check that the power is turned on at the junction box or circuit breaker.</li> <li>• Check that the wiring between the switch control and the control board is connected properly.</li> </ul>
The range hood vibrates when the fan is operating.	<ul style="list-style-type: none"> <li>• Check that the range hood has been secured properly. Tighten into position, if necessary.</li> <li>• Check that the motor is secured in place. If not, then tighten the motor in place.</li> <li>• Check that the fan is not damaged. If so, replace the fan.</li> </ul>
The fan seems weak.	<ul style="list-style-type: none"> <li>• Check that the duct size used is at least 177 mm (7 in) round. The range hood will not function efficiently with insufficient duct size.</li> <li>• Check that the duct is not clogged with debris and the tight mesh on the wall cap, if applicable, isn't restricting air flow.</li> <li>• Check that the damper unit is opening properly.</li> <li>• Check that no birds or animals have nested in the duct.</li> </ul>
The lights work, but the fan is not spinning, is stuck, or is rattling.	<ul style="list-style-type: none"> <li>• The thermal protection system detects if the motor is too hot to operate and shuts the motor down. In this case, the motor will function properly after the thermal protection system cools down (after approximately 10 min)</li> <li>• Check that the fan isn't jammed or scraping the bottom.</li> <li>• If nothing else works, the motor may be defective or seized. If so, replace the motor.</li> </ul>
The range hood is not venting properly.	<ul style="list-style-type: none"> <li>• Check that no birds or animals have nested in the duct.</li> <li>• Check that the distance between the cooktop and the bottom of the range hood is between 458 mm (18 in) and 635 mm (25 in).</li> <li>• Check that ductwork follows all requirements. Use round metal ductwork with a uniform diameter of 177 mm (7 in). The length of ductwork must not exceed 35 ft (10.7 m). Reduce the length of ductwork and the number of elbows if necessary. Ensure that all joints are properly connected, sealed, and taped.</li> <li>• Check that the duct does not open against the wind.</li> <li>• Ensure that the power is on high speed for heavy cooking.</li> <li>• Close all windows nearest to the range hood to eliminate sudden air gusts.</li> <li>• To enhance the performance of the range hood, open slightly a window on the opposite side of the house where the range hood vents outdoors.</li> </ul>
A light does not work.	<ul style="list-style-type: none"> <li>• Check to see if light bulb is burnt out. If so, replace it.</li> <li>• Check the light bulb to see if it is loose. If so, tighten it.</li> <li>• Remove the problem bulb and insert one you know is working. If the properly functioning light does not come on, the problem may be the light assembly.</li> <li>• Have the light assembly serviced or replaced.</li> </ul>

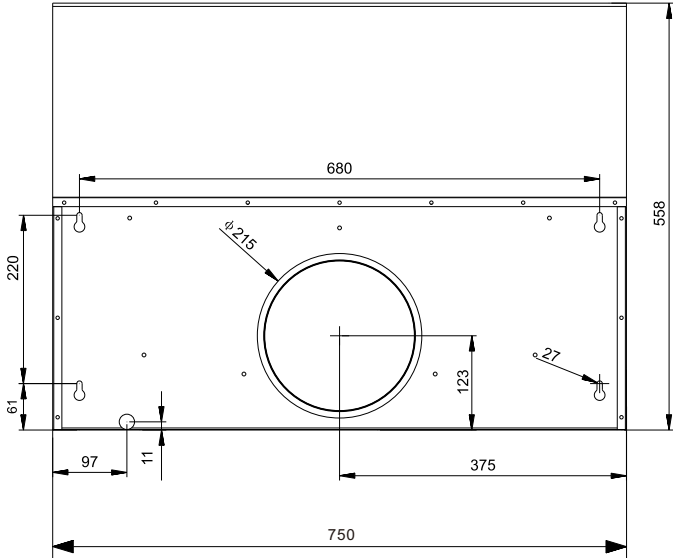
## SPECIFICATIONS

Model	Dimensions	Rating	Control Type	Speeds	Light Bulb Wattage	Venting Options
TAUC30240SS	750mm(30in)W	120V~60Hz 2A	Touch switch with remote control	4	2 x 1W LED GU10 base light bulb	Top venting
	558mm(22in) D					
	203 mm (8 in) H					

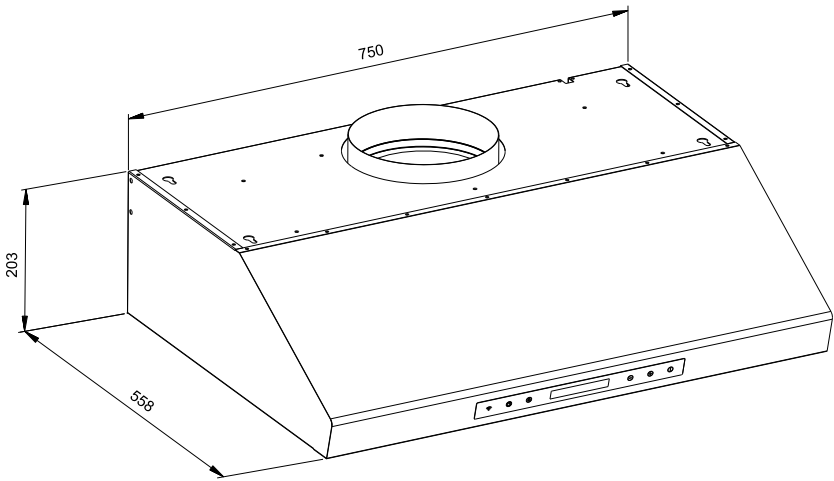
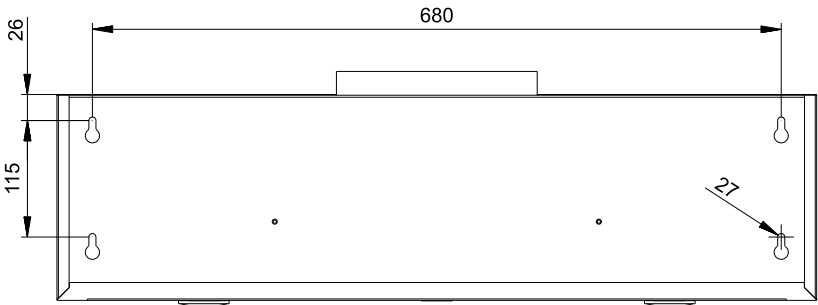


EXTERNAL DIAGRAM OF THE RANGE HOOD

TOP



BOTTOM



## TRUARCTIC® MAJOR APPLIANCE LIMITED WARRANTY

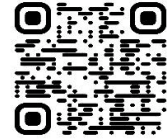
ATTACH YOUR RECEIPT HERE. PROOF OF PURCHASE IS REQUIRED TO OBTAIN WARRANTY SERVICE.

Please write down the product information and have the following information available when you call the Customer Service Center:

- Name, address and telephone number
- Model number
- Serial number
- Purchase Date
- A clear, detailed description of the problem
- Proof of purchase including dealer or retailer name and address

### IF YOU NEED SERVICE:

Before contacting us to arrange service, please determine whether your product requires repair. Some questions can be addressed without service. Please take a few minutes to review the Troubleshooting or Problem Solver section of the Owner Manual, scan the QR code on the right or visit [www.truarctic.com](http://www.truarctic.com) to access additional resources; or contact your authorized TRUARCTIC dealer for further information.



For one year from the date of purchase, when this major appliance is installed, operated and maintained according to instructions attached to or furnished with the product, TRUARCTIC will pay for Factory Specified Replacement Parts and repair labor to correct defects in materials or workmanship that existed when this major appliance was purchased, or at its sole discretion replace the product. In the event of product replacement, your appliance will be warranted for the remaining term of the original unit's warranty period.

**YOUR SOLE AND EXCLUSIVE REMEDY UNDER THIS LIMITED WARRANTY SHALL BE PRODUCT REPAIR AS PROVIDED HEREIN.** Service must be provided by a TRUARCTIC designated service company. This limited warranty is valid only in Canada and applies only when the major appliance is used in Canada. This limited warranty is effective from the date of original consumer purchase. Proof of original purchase date is required to obtain service under this limited warranty.

### WHAT IS NOT COVERED

1. Products with original model or serial numbers that have been removed, altered, or cannot be readily determined.
2. Products transferred from the original owner or relocated outside Canada.
3. Products used in commercial, non-residential, multiple-family, or any setting inconsistent with the published user, operator, or installation instructions.
4. Products purchased "as-is," including display models and open-box items.
5. Damage to finish, such as surface rust, tarnish, or small blemishes not reported within 48 hours of delivery.
6. Cosmetic damage including scratches, dents, chips, discoloration, rust, or oxidation resulting from corrosive or caustic environments such as high salt exposure, high humidity, or chemical contact, unless reported within 48 hours of delivery and proven to result from defects in materials or workmanship.
7. Rust and Scratches on any interior or exterior of the hood, back of the filter, and inside the duct cover.
8. Replacement of Consumable parts such as light bulbs, filters, fuses, and oil cups or other cosmetic components.
9. Service calls that do not involve defects in materials or workmanship, including calls to instruct on product use or to correct improper installation or maintenance.
10. Service calls required to correct installation not performed according to applicable electrical or plumbing codes, or to repair household electrical or plumbing issues such as house wiring, fuses, or water inlet hoses.
11. Costs incurred to make the appliance accessible for servicing, including removal or reinstallation of trim, cabinetry, decorative panels, flooring, islands, countertops, drywall, or other built-in fixtures.
12. Transportation, pick-up, delivery, travel charges, tolls, ferry fees, or service calls to remote locations
13. Damage to property such as floors, cabinets, or walls incurred during installation, removal, or servicing of the product.
14. Repairs or damage caused by unauthorized service providers or use of non-genuine manufacturer parts.
15. Alteration, modification, or unauthorized repairs to the appliance.
16. Damage resulting from misuse, abuse, accidents, inadequate power supply, fire, flood, or other external causes including acts of God.

**The cost of repair or replacement under these excluded circumstances shall be borne by the customer.**

### DISCLAIMER OF IMPLIED WARRANTIES

IMPLIED WARRANTIES, INCLUDING ANY IMPLIED WARRANTY OF MERCHANTABILITY OR IMPLIED WARRANTY OF FITNESS FOR A PARTICULAR PURPOSE, ARE LIMITED TO ONE YEAR OR THE SHORTEST PERIOD ALLOWED BY LAW. Some provinces do not allow limitations on the duration of implied warranties of merchantability or fitness, so this limitation may not apply to you. This warranty gives you specific legal rights, and you also may have other rights that vary from state to state or province to province.

### DISCLAIMER OF REPRESENTATIONS OUTSIDE OF WARRANTY

TRUARCTIC makes no representations about the quality, durability, or need for service or repair of this major appliance other than the representations contained in this warranty. If you want a longer or more comprehensive warranty than the limited warranty that comes with this major appliance, you should ask TRUARCTIC or your retailer about buying an extended warranty.

### LIMITATION OF REMEDIES; EXCLUSION OF INCIDENTAL AND CONSEQUENTIAL DAMAGES

**YOUR SOLE AND EXCLUSIVE REMEDY UNDER THIS LIMITED WARRANTY SHALL BE PRODUCT REPAIR AS PROVIDED HEREIN.** TRUARCTIC SHALL NOT BE LIABLE FOR INCIDENTAL OR CONSEQUENTIAL DAMAGES. Some provinces do not allow the exclusion or limitation of incidental or consequential damages, so these limitations and exclusions may not apply to you. This warranty gives you specific legal rights, and you also may have other rights that vary from state to state or province to province.

®/™ ©2025 Truarctic. Used under license in Canada. All rights reserved.  
Utilisé sous licence au Canada. Tous droits réservés.