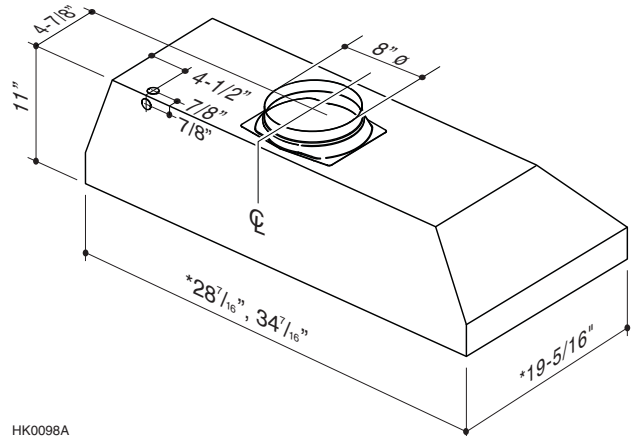


SPECIFICATIONS

MODEL	OKANAGAN CPM1 SERIES
VOLTS	120 VAC
HZ	60
AMPS	5.0
CFM (LOW SPEED)	210
CFM (HIGH SPEED)	600*
SONES (LOW SPEED)	1.1
SONES (HIGH SPEED)	8.5
DUCTING SIZE	8" ROUND
2 SHIELDED HALOGEN BULBS	120 V, 50 W MAX., GU10 BASE
WARRANTY	5 YEARS

*OPTIONAL ARP8 AIR FLOW REDUCER
(LIMITS THE AIRFLOW OF THE HOOD UNDER 300 CFM).

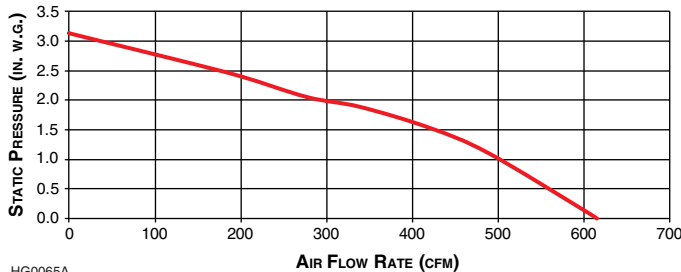
DIMENSIONS



HK0098A

*DIMENSIONS INCLUDE RIVET HEADS.

AIR FLOW PERFORMANCE



HG0065A

REQUIREMENTS & STANDARDS

- Complies with the CSA C22.2 no. 113 Standard
- Complies with the UL 507 requirements
- HVI certified



HVI-2100 CERTIFIED RATINGS comply with new testing technologies and procedures prescribed by the Home Ventilating Institute, for off-the-shelf products, as they are available to consumers. Product performance is rated in a state-of-the-art test laboratory. Sones are a measure of humanly-perceived loudness, based on laboratory measurements.

www.venmar.ca

Venmar Ventilation inc., 550 Lemire Blvd., Drummondville, Québec, Canada J2C 7W9 - Tel: 1-800-567-3855 Fax: 1-800-567-1715

PROJECT	REMARKS
LOCATION	
MODEL No.	
QTY.	
SUBMITTED BY	
DATE	