

# PEDESTAL INSTALLATION INSTRUCTIONS

For use only with front load washers and dryers

## INSTRUCTIONS D'INSTALLATION DU PIÉDESTAL

Pour utilisation avec les laveuses et sècheuses à chargement frontal

Para una versión de estas instrucciones en español, visite [www.whirlpool.com](http://www.whirlpool.com)

### Table of Contents

PEDESTAL SAFETY .....	1
INSTALLATION REQUIREMENTS.....	2
Location Requirements .....	2
Tools and Parts.....	2
INSTALLATION INSTRUCTIONS.....	3
Before Installing Pedestal .....	3
INSTALLING THE PEDESTAL.....	4
COMPLETE THE INSTALLATION.....	5
WARRANTY .....	7

### Table des matières

SÉCURITÉ DU PIÉDESTAL .....	9
EXIGENCES D'INSTALLATION .....	9
Exigences d'emplacement.....	9
Outillage et pièces.....	9
INSTRUCTIONS D'INSTALLATION.....	10
Avant l'installation du piédestal.....	10
INSTALLATION DU PIÉDESTAL.....	11
ACHEVER L'INSTALLATION.....	13
GARANTIE .....	15

### INSTALLATION NOTES

Date of purchase: \_\_\_\_\_

Date of installation: \_\_\_\_\_

Installer: \_\_\_\_\_

Model number: \_\_\_\_\_

Serial number: \_\_\_\_\_

### NOTES CONCERNANT L'INSTALLATION

Date d'achat : \_\_\_\_\_

Date d'installation : \_\_\_\_\_

Installateur : \_\_\_\_\_

Numéro de modèle : \_\_\_\_\_

Numéro de série : \_\_\_\_\_

## PEDESTAL SAFETY

### Your safety and the safety of others are very important.

We have provided many important safety messages in this manual and on your appliance. Always read and obey all safety messages.



This is the safety alert symbol.

This symbol alerts you to potential hazards that can kill or hurt you and others.

All safety messages will follow the safety alert symbol and either the word "DANGER" or "WARNING."

These words mean:

**⚠ DANGER**

You can be killed or seriously injured if you don't immediately follow instructions.

**⚠ WARNING**

You can be killed or seriously injured if you don't follow instructions.

All safety messages will tell you what the potential hazard is, tell you how to reduce the chance of injury, and tell you what can happen if the instructions are not followed.

# INSTALLATION REQUIREMENTS

## LOCATION REQUIREMENTS

### **! WARNING**



#### Explosion Hazard

Keep flammable materials and vapors, such as gasoline, away from dryer.

Place dryer at least 18 inches (460 mm) above the floor for a garage installation.

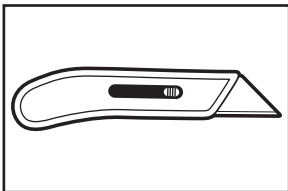
Failure to do so can result in death, explosion, or fire.

**NOTE:** If the washer/dryer and pedestal assembly are located in a garage, 8" (203 mm) must be added under the pedestal so that the washer/dryer is 18" (458 mm) above the garage floor.

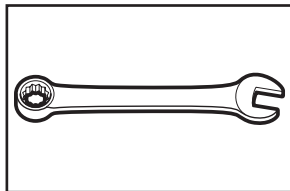
## TOOLS AND PARTS

Gather the required tools and parts before starting installation.

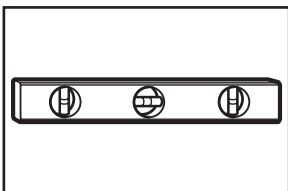
### Tools needed:



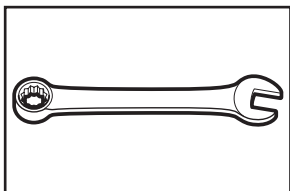
Utility knife



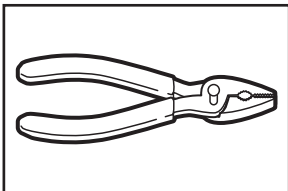
1/4" hex-head ratchet or open-end wrench



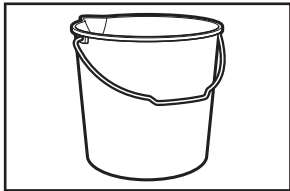
Level



9/16" open-end wrench

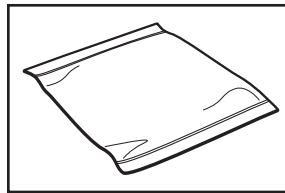


Pliers or slip-joint pliers

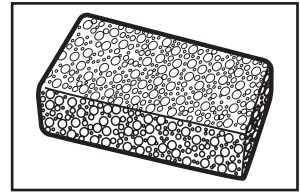


Bucket

### Additional items needed:

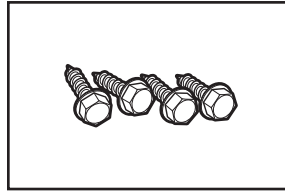


Towel

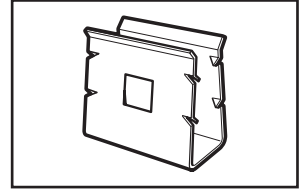


Sponge

### Parts supplied:



Four #12 x 5/8" hex-head sheet metal screws (in parts bag)



Two retainer clips (in parts bag)

# INSTALLATION INSTRUCTIONS

## BEFORE INSTALLING PEDESTAL

**IMPORTANT:** If your washer and dryer are already installed, they must be uninstalled.

### Uninstalling your washer

To avoid possible damage to the washer, the transport bolts on the back of the washer must be in place before installing the pedestal. For more information on transport bolts, see "Remove Transport System" in washer Use and Care Guide.

## **⚠ WARNING**

### Excessive Weight Hazard

**Use two or more people to move and uninstall washer.**

**Failure to do so can result in back or other injury.**

**NOTE:** If the washer is to be transported, call your local service center. To avoid suspension and structural damage, your washer must be properly set up for relocation by a certified technician.

1. Turn off the hot and cold water faucets.
2. Unplug the power supply cord.
3. Slowly loosen the fill hoses at the faucets to relieve the water pressure. Use a sponge or towel to absorb the released water.
4. Remove the "HOT" and "COLD" fill hoses from the back of the washer. Drain the water from the hoses into a bucket.
5. Remove the drain hose from the standpipe or laundry tub and drain any water remaining in the hose into a bucket.
6. Pull the washer away from the wall so it can be tipped on its back.
7. To avoid floor damage and ease installation and handling, unfold the empty pedestal box flat and place it next to the washer. Lay the washer on its back (make sure that the power supply cord is not under the washer) so that the cardboard is under the entire lower back edge of the washer.
8. An additional small amount of water will drain out of the washer when it is tipped back. Go to "Installing the Pedestal".

### Uninstalling your electric dryer

## **⚠ WARNING**

### Excessive Weight Hazard

**Use two or more people to move and uninstall dryer.**

**Failure to do so can result in back or other injury.**

1. Unplug the power supply cord.
2. Pull the dryer away from the wall enough to loosen the vent clamp. Loosen the clamp and gently remove the exhaust vent from the dryer exhaust outlet.
3. Pull the dryer away from the wall so that it can be tipped on its back.
4. To avoid floor damage and ease installation and handling, unfold the empty pedestal box flat and place it next to the dryer. Lay the dryer on its back (make sure that the power supply cord is not under the dryer) so that the cardboard is under the entire lower back edge of the dryer. Go to "Installing the Pedestal".

### Uninstalling your gas dryer

## **⚠ WARNING**

### Excessive Weight Hazard

**Use two or more people to move and uninstall dryer.**

**Failure to do so can result in back or other injury.**

1. Unplug the power supply cord.
2. Turn off the gas supply.
3. Pull the dryer away from the wall enough to loosen the vent clamp. Loosen the clamp and gently remove the exhaust vent from the dryer exhaust outlet.
4. Disconnect the flexible gas supply line from the dryer. Put a piece of tape over the open ends of the gas line connection fittings.
5. Pull the dryer away from the wall so that it can be tipped on its back.
6. To avoid floor damage and ease installation and handling, unfold the empty pedestal box flat and place it next to the dryer. Lay the dryer on its back (make sure that the power supply cord is not under the dryer) so that the cardboard is under the entire lower back edge of the dryer. Go to "Installing the Pedestal".

### Installation of new washer/dryer

## **⚠ WARNING**

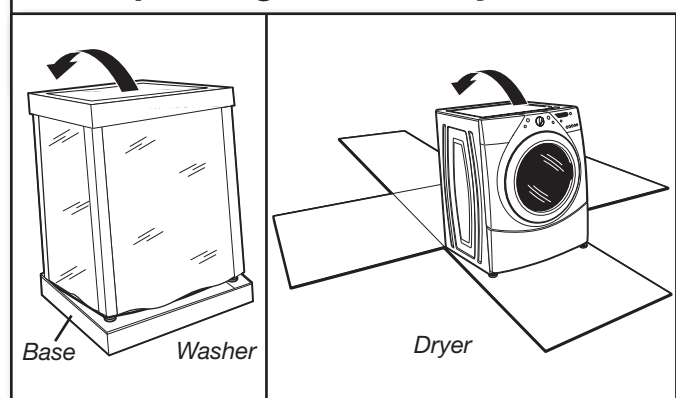
### Excessive Weight Hazard

**Use two or more people to move and install washer/dryer.**

**Failure to do so can result in back or other injury.**

If your washer/dryer is still in the packaging:

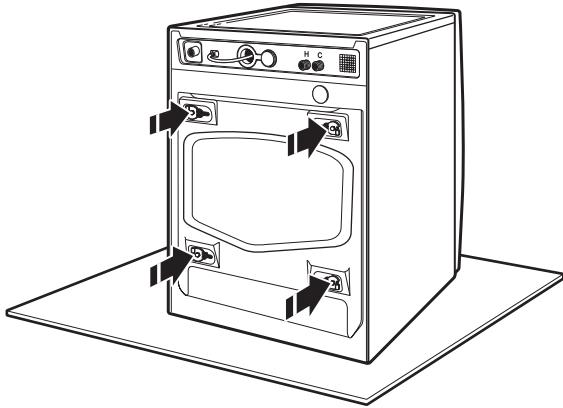
## 1. Unpacking Washer/Dryer



**Washer:** Cut plastic film along dotted cut line around the base. Do not remove the packaging.

**Dryer:** Cut carton around top and down corners along dotted cut lines. Lay all four carton sides on floor. Discard carton top and corner posts.

## 2. Washer transport bolts



Locate the transport bolts on rear of washer. Transport bolts must remain in washer while pedestal is installed. When laying the washer on its back, hold the base down on the floor. Do not remove the plastic film, corner posts, or top cap.

## INSTALLING THE PEDESTAL

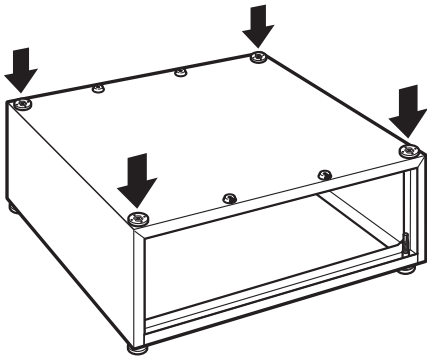
### **⚠ WARNING**

#### **Excessive Weight Hazard**

**Use two or more people to move and install pedestal.  
Failure to do so can result in back or other injury.**

Follow these instructions to install the pedestal on a washer or dryer.

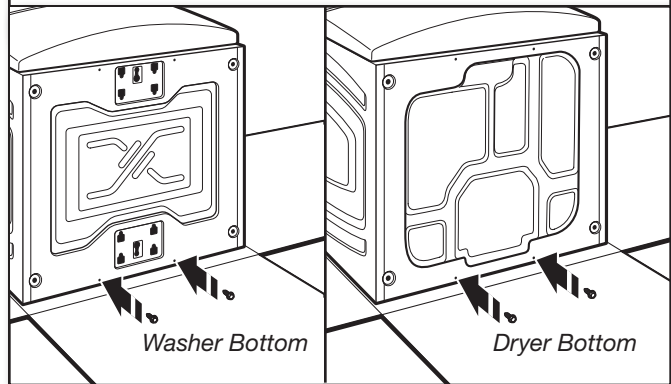
## 1. Locate spacer pads



Make sure that all four spacer pads are in place on the top of the pedestal. Spacer pads reduce vibration between the pedestal and the washer/dryer.

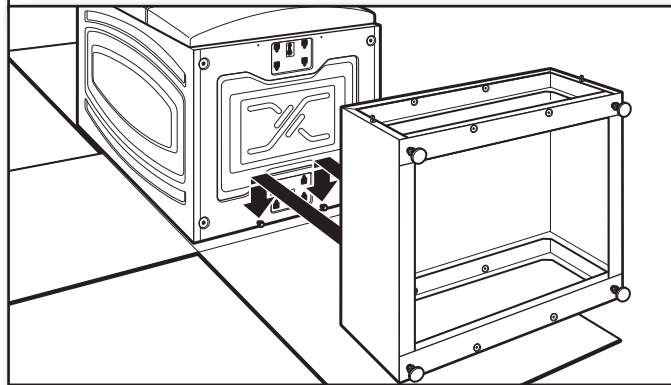
**NOTE:** If your washer/dryer has feet installed, remove them.

## 2. Prepare the washer/dryer



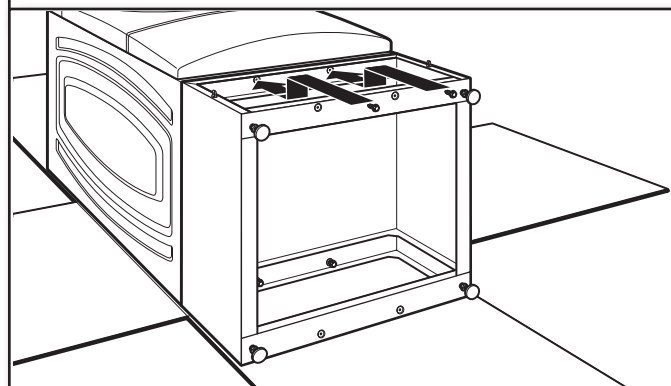
Partially install two of the #12 x 5/8" hex-head sheet metal screws in the lower holes. Leave a space of about 3/8" (10 mm) between the screw head and the bottom of the washer/dryer.

## 3. Attach the pedestal



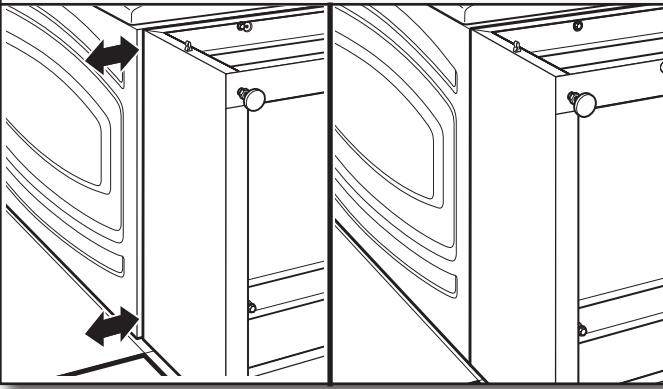
Move the pedestal against the washer/dryer bottom. Slide the pedestal's keyhole slots over the lower two partially installed screws.

## 4. Secure the pedestal



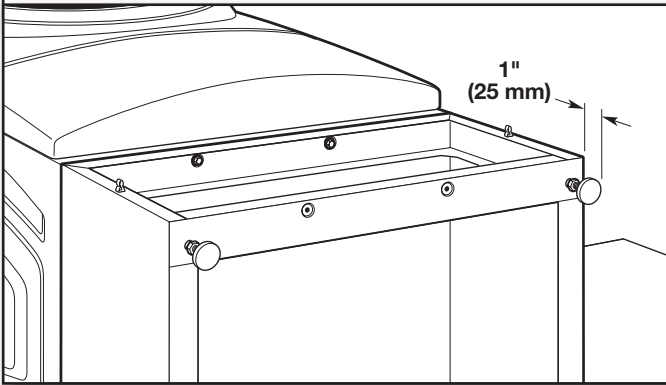
Position the pedestal toward the front of the washer/dryer and install the two remaining hex-head sheet metal screws. Do not tighten completely.

## 5. Align sides of pedestal



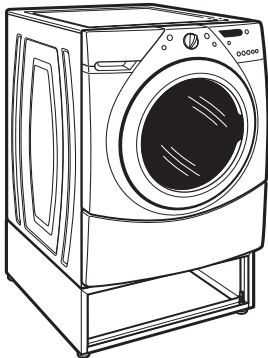
Align the sides of the pedestal so that they are even with the sides of the washer/dryer. Reach inside the pedestal opening and securely tighten all four pedestal screws.

## 6. Prepare pedestal feet



The pedestal arrives with the feet tight against the bottom of the unit. Using a 1/4" hex-head ratchet or open-end wrench, lower the feet approximately 1" (25 mm) away from the bottom of the pedestal.

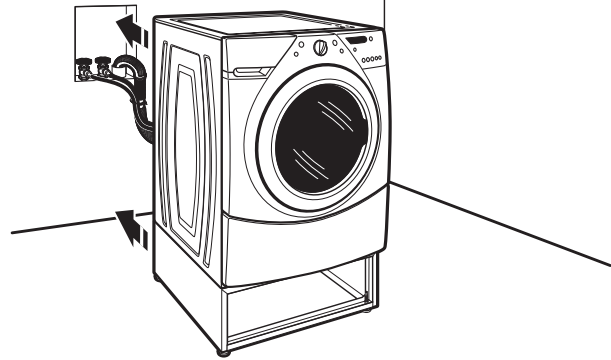
## 7. Stand the washer/dryer upright



Tip the washer/dryer back to its upright position. Remove and discard any remaining packaging material.

## COMPLETE THE INSTALLATION

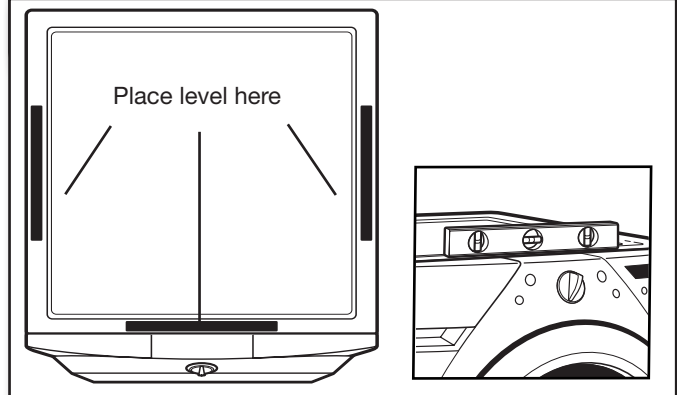
## 8. Move close to final location



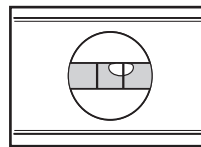
Follow the installation instructions that came with your model to finish installing or reinstalling your washer/dryer (i.e., hoses, vents, etc.).

**NOTE:** Be sure to remove the transport bolts from the back of the washer.

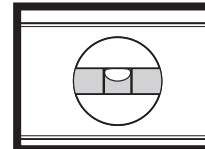
## 9. Check levelness of washer/dryer



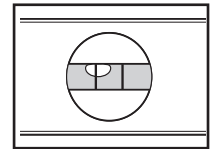
Place a level on top edges of washer/dryer, checking each side and front. Rock washer/dryer back and forth to make sure all four feet make solid contact with floor.



Not Level



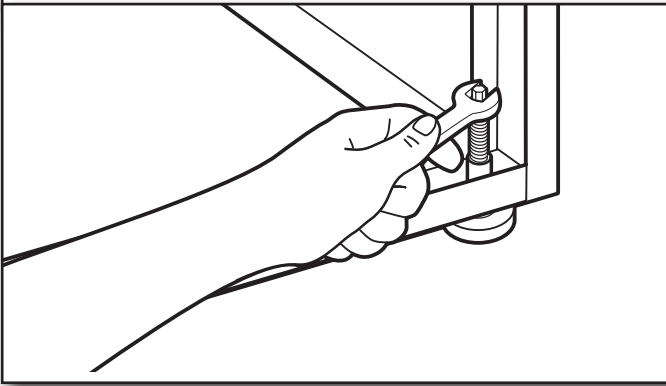
**LEVEL**



Not Level

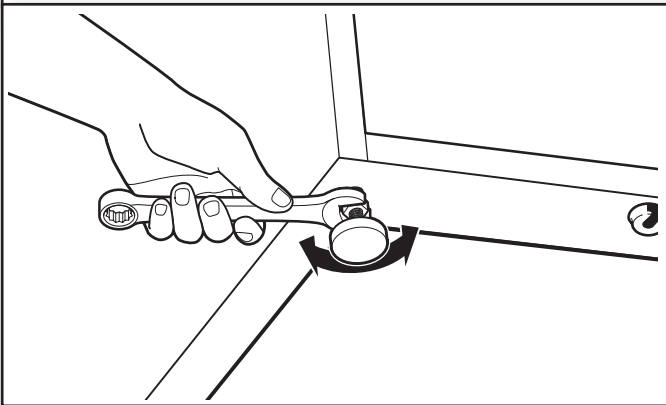
If not level, adjust pedestal feet up or down, repeating as necessary.

## 10. Adjust pedestal feet



Locate the 1/4" hex-head screws on the top of each pedestal foot. Reach inside the pedestal and use a 1/4" hex-head ratchet or open-end wrench to adjust the feet up or down as needed to level the washer/dryer.

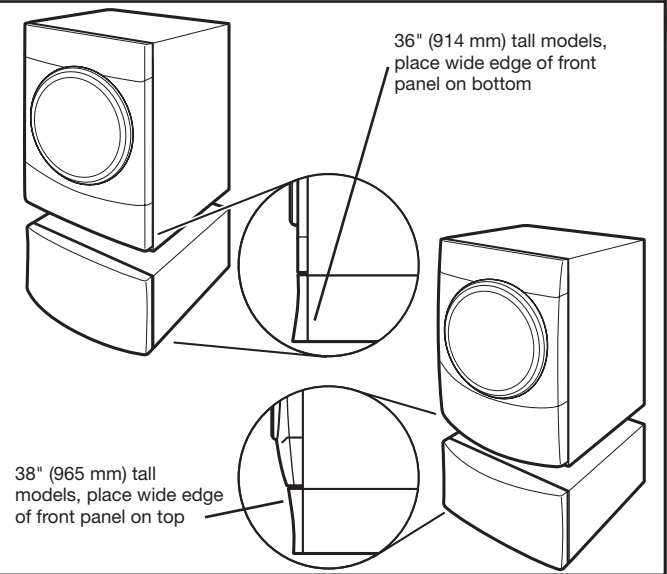
## 11. Securely tighten jam nuts



When the washer/dryer is level, use a 9/16" open-end wrench to securely tighten all four jam nuts against the pedestal.

**IMPORTANT:** The jam nuts must be tightened to avoid vibration.

## 12. Install pedestal front panel



Align the front panel with the pedestal and snap in place.

**NOTE:** Follow the "Showroom Display Kit Installation Instructions" if you wish to use the two retainer clips included in the parts bag. Discard the retainer clips if not used.

---

**Before you call for Service**

This pedestal must be installed only with the appropriate Whirlpool® or Maytag® front-load washer or dryer. This pedestal must be operated according to the instructions provided with your Whirlpool or Maytag front-load washer or dryer's Owner's manual or Use and Care Guide. Before you call for service, please locate your model and serial number for both the pedestal and the corresponding Whirlpool or Maytag front-load washer or dryer.

For any pedestal purchased for use with a Whirlpool or Maytag front-load washer or dryer, the Whirlpool Corporation Pedestal Warranty applies.

---

# WHIRLPOOL CORPORATION PEDESTAL WARRANTY

---

## ONE-YEAR LIMITED WARRANTY

For one year from the date of purchase, when this appliance is operated and maintained according to instructions attached to or furnished with the product and is used with the appropriate Whirlpool Corporation front-load washer or dryer, Whirlpool or Whirlpool Canada (hereafter "Whirlpool") will pay for factory specified replacement parts and repair labor to correct defects in materials or workmanship. Service must be provided by a Whirlpool designated service company.

---

### ITEMS WHIRLPOOL WILL NOT PAY FOR

1. Service calls to correct the installation of your appliance, to instruct you how to use your appliance, to replace or repair house fuses or to correct house wiring or plumbing.
2. Repairs when your appliance is used for other than normal, single-family household use.
3. Damage resulting from accident, alteration, misuse, abuse, fire, flood, acts of God, improper installation, installation not in accordance with electrical or plumbing codes, or use of products not approved by Whirlpool.
4. Replacement parts or repair labor costs for units operated outside the United States or Canada.
5. Pickup and delivery. This appliance is designed to be repaired in the home.
6. Repairs to parts or systems resulting from unauthorized modifications made to the appliance.
7. Expenses for travel and transportation for product service in remote locations.
8. The removal and reinstallation of your appliance if it is installed in an inaccessible location or is not installed in accordance with published installation instructions.

---

### DISCLAIMER OF IMPLIED WARRANTIES; LIMITATION OF REMEDIES

DISCLAIMER OF IMPLIED WARRANTIES; LIMITATION OF REMEDIES  
CUSTOMER'S SOLE AND EXCLUSIVE REMEDY UNDER THIS LIMITED WARRANTY SHALL BE PRODUCT REPAIR AS PROVIDED HEREIN. IMPLIED WARRANTIES, INCLUDING WARRANTIES OF MERCHANTABILITY OR FITNESS FOR A PARTICULAR PURPOSE, ARE LIMITED TO ONE YEAR OR THE SHORTEST PERIOD ALLOWED BY LAW. WHIRLPOOL SHALL NOT BE LIABLE FOR INCIDENTAL OR CONSEQUENTIAL DAMAGES. SOME STATES AND PROVINCES DO NOT ALLOW THE EXCLUSION OR LIMITATION OF INCIDENTAL OR CONSEQUENTIAL DAMAGES, OR LIMITATIONS ON THE DURATION OF IMPLIED WARRANTIES OF MERCHANTABILITY OR FITNESS, SO THESE EXCLUSIONS OR LIMITATIONS MAY NOT APPLY TO YOU. THIS WARRANTY GIVES YOU SPECIFIC LEGAL RIGHTS AND YOU MAY ALSO HAVE OTHER RIGHTS, WHICH VARY FROM STATE TO STATE OR PROVINCE TO PROVINCE.

Outside the 50 United States and Canada, this warranty does not apply. Contact your authorized Whirlpool dealer to determine if another warranty applies. If you need service, in the U.S.A., call 1-800-422-1230. In Canada, call 1-800-807-6777.

4/06

---

**Keep this book and your sales slip together for future reference. You must provide proof of purchase or installation date for in-warranty service.**

Write down the following information about your major appliance to better help you obtain assistance or service if you ever need it. You will need to know your complete model number and serial number. You can find this information on the model and serial number label located on the product.

Dealer name \_\_\_\_\_  
Address \_\_\_\_\_  
Phone number \_\_\_\_\_  
Model number \_\_\_\_\_  
Serial number \_\_\_\_\_  
Purchase date \_\_\_\_\_





# SÉCURITÉ DU PIÉDESTAL

## Votre sécurité et celle des autres est très importante.

Nous donnons de nombreux messages de sécurité importants dans ce manuel et sur votre appareil ménager. Assurez-vous de toujours lire tous les messages de sécurité et de vous y conformer.



Voici le symbole d'alerte de sécurité.

Ce symbole d'alerte de sécurité vous signale les dangers potentiels de décès et de blessures graves à vous et à d'autres.

Tous les messages de sécurité suivront le symbole d'alerte de sécurité et le mot "DANGER" ou "AVERTISSEMENT". Ces mots signifient :

**⚠ DANGER**

**Risque possible de décès ou de blessure grave si vous ne suivez pas immédiatement les instructions.**

**⚠ AVERTISSEMENT**

**Risque possible de décès ou de blessure grave si vous ne suivez pas les instructions.**

Tous les messages de sécurité vous diront quel est le danger potentiel et vous disent comment réduire le risque de blessure et ce qui peut se produire en cas de non-respect des instructions.

## EXIGENCES D'INSTALLATION

### EXIGENCES D'EMPLACEMENT

**⚠ AVERTISSEMENT**



**Risque d'explosion**

**Garder les matières et les vapeurs inflammables, telle que l'essence, loin de la sècheuse.**

**Placer la sècheuse au moins 460 mm (18 po) au-dessus du plancher pour une installation dans un garage.**

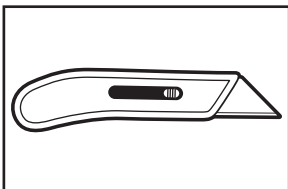
**Le non-respect de ces instructions peut causer un décès, une explosion ou un incendie.**

**REMARQUE :** Si l'ensemble de laveuse/sècheuse et du piédestal se trouve dans un garage, il faut ajouter 8" (203 mm) en dessous du piédestal pour que l'ensemble de laveuse/sècheuse soit à 18" (458 mm) au-dessus du plancher du garage.

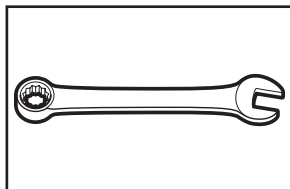
### OUTILLAGE ET PIÈCES

Rassembler les outils et pièces nécessaires avant de commencer l'installation.

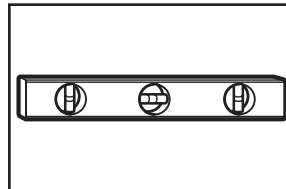
#### Outillage nécessaire :



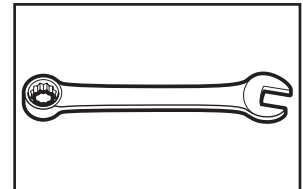
Couteau utilitaire



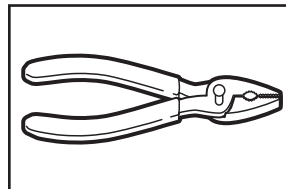
Clé à cliquet à tête hexagonale de 1/4" ou clé plate



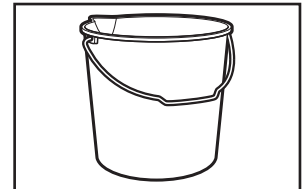
Niveau



Clé plate 9/16"

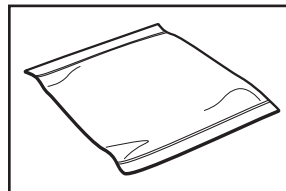


Pince ou pince articulée

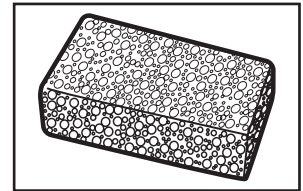


Seau

#### Autres articles nécessaires :

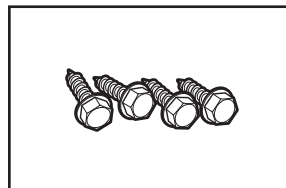


Serviette

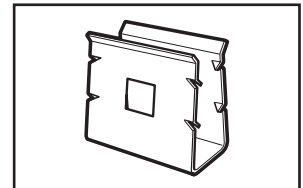


Éponge

#### Pièces fournies :



Quatre vis de tôle n° 12 x 5/8" à tête hexagonale (sachet de pièces)



Deux attaches de retenue (sachet de pièces)

# INSTRUCTIONS D'INSTALLATION

## AVANT L'INSTALLATION DU PIÉDESTAL

**IMPORTANT :** Si l'ensemble de laveuse et sècheuse est déjà installé, on doit le désinstaller.

### Désinstallation de la laveuse

Afin d'éviter d'endommager la laveuse, les boulons de transport à l'arrière de l'appareil doivent être en place avant l'installation du piédestal. Pour plus d'informations concernant les boulons de transport, voir "Élimination des accessoires de transport" dans le Guide d'utilisation et d'entretien de la laveuse.

## AVERTISSEMENT

### Risque du poids excessif

**Utiliser deux ou plus de personnes pour déplacer et désinstaller la laveuse.**

**Le non-respect de cette instruction peut causer une blessure au dos ou d'autre blessure.**

**REMARQUE :** Si la laveuse doit être transportée, appeler le centre de service local. Afin d'éviter tout endommagement de la suspension et de la structure, votre laveuse doit d'abord être correctement installée pour être ensuite réinstallée par un technicien certifié.

1. Fermer les robinets d'arrivée d'eau chaude et d'eau froide.
2. Débrancher le cordon d'alimentation électrique.
3. Desserrer doucement les tuyaux d'alimentation sur les robinets pour libérer la pression de l'eau. Utiliser une éponge ou une serviette pour absorber l'eau libérée.
4. Déconnecter les tuyaux d'arrivée d'eau chaude et d'eau froide portant les mentions "HOT" (chaud) et "COLD" (froid) de l'arrière de la laveuse. Laisser l'eau dans les tuyaux s'écouler dans un seau.
5. Enlever le tuyau de vidange du tuyau de rejet à l'égout ou de l'évier de buanderie et vidanger l'eau qui reste dans un seau.
6. Écarter la laveuse du mur pour pouvoir la faire basculer et la faire reposer sur la face arrière.
7. Pour éviter d'endommager le plancher et pour faciliter l'installation et la manipulation, aplatir la boîte vide du piédestal et la placer à proximité de la laveuse. Coucher la laveuse sur sa partie arrière (s'assurer que le cordon d'alimentation ne se trouve pas sous la laveuse) de manière à ce que le carton se trouve sous la totalité de l'arête inférieure arrière de la laveuse.
8. Une petite quantité d'eau supplémentaire peut s'écouler de la laveuse lorsqu'elle est en appui sur la face arrière. Consulter la section "Installation du piédestal".

## Désinstallation de la sècheuse électrique

## AVERTISSEMENT

### Risque du poids excessif

**Utiliser deux ou plus de personnes pour déplacer et désinstaller la sècheuse.**

**Le non-respect de cette instruction peut causer une blessure au dos ou d'autre blessure.**

1. Débrancher le cordon d'alimentation électrique.
2. Écarter la sècheuse du mur suffisamment pour pouvoir desserrer la bride du conduit d'évacuation. Desserrer la bride et retirer doucement le conduit d'évacuation de la bouche de décharge de la sècheuse.
3. Écarter la sècheuse du mur pour pouvoir la faire basculer et la faire reposer sur la face arrière.
4. Pour éviter d'endommager le plancher et pour faciliter l'installation et la manipulation, aplatir la boîte vide du piédestal et la placer à proximité de la laveuse. Coucher la sècheuse sur sa partie arrière (s'assurer que le cordon d'alimentation ne se trouve pas sous la laveuse) de manière à ce que le carton se trouve sous la totalité de l'arête inférieure arrière de la sècheuse. Consulter la section "Installation du piédestal".

## Désinstallation de la sècheuse à gaz

## AVERTISSEMENT

### Risque du poids excessif

**Utiliser deux ou plus de personnes pour déplacer et désinstaller la sècheuse.**

**Le non-respect de cette instruction peut causer une blessure au dos ou d'autre blessure.**

1. Débrancher le cordon d'alimentation électrique.
2. Fermer l'arrivée de gaz.
3. Écarter la sècheuse du mur suffisamment pour pouvoir desserrer la bride du conduit d'évacuation. Desserrer la bride et retirer doucement le conduit d'évacuation de la bouche de décharge de la sècheuse.
4. Déconnecter le conduit flexible de la canalisation de gaz de la sècheuse. Obturer avec du ruban adhésif l'ouverture de chaque raccord de la canalisation de gaz.
5. Écarter la sècheuse du mur pour pouvoir la faire basculer et la faire reposer sur la face arrière.
6. Pour éviter d'endommager le plancher et pour faciliter l'installation et la manipulation, aplatir la boîte vide du piédestal et la placer à proximité de la sècheuse. Coucher la sècheuse sur sa partie arrière (s'assurer que le cordon d'alimentation ne se trouve pas sous la sècheuse) de manière à ce que le carton se trouve sous la totalité de l'arête inférieure arrière de la sècheuse. Consulter la section "Installation du piédestal".

## ⚠ AVERTISSEMENT

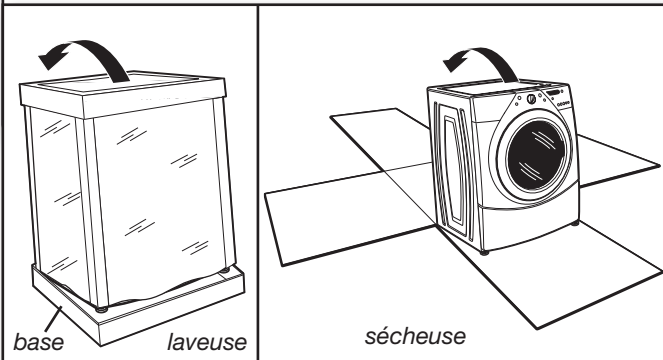
Risque du poids excessif

Utiliser deux ou plus de personnes pour déplacer et installer la laveuse/sécheuse.

Le non-respect de cette instruction peut causer une blessure au dos ou d'autre blessure.

La laveuse/sécheuse est encore dans son emballage :

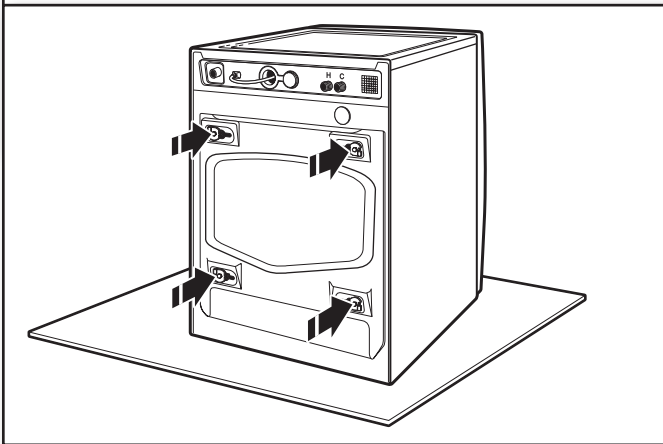
### 1. Déballez la laveuse/sécheuse



**Laveuse :** Découper la pellicule de plastique le long de la ligne de pointillés autour de la base. Ne pas enlever l'emballage.

**Sécheuse :** Découper le carton le long du dessus jusqu'aux coins inférieurs le long de la ligne de pointillés. Disposer les 4 côtés du carton sur le sol. Jeter le dessus du carton et les coins de protection.

### 2. Boulons de transport de la laveuse



Repérer les boulons de transport à l'arrière de la laveuse. Les boulons de transport doivent rester dans la laveuse pendant l'installation du piedestal. Lorsqu'on couche la laveuse sur le dos, maintenir l'embout inférieur sur le sol. Ne pas enlever la pellicule de plastique, les coins protecteurs, ni l'embout supérieur.

## ⚠ AVERTISSEMENT

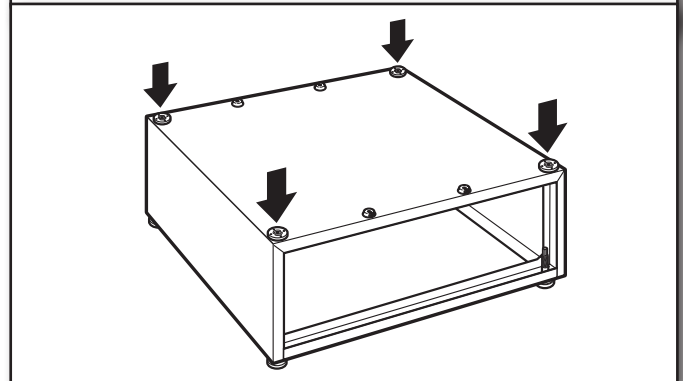
Risque du poids excessif

Utiliser deux ou plus de personnes pour déplacer et installer le piedestal.

Le non-respect de cette instruction peut causer une blessure au dos ou d'autre blessure.

Pour l'installation du piedestal sur une laveuse ou une sécheuse, suivre les instructions qui suivent.

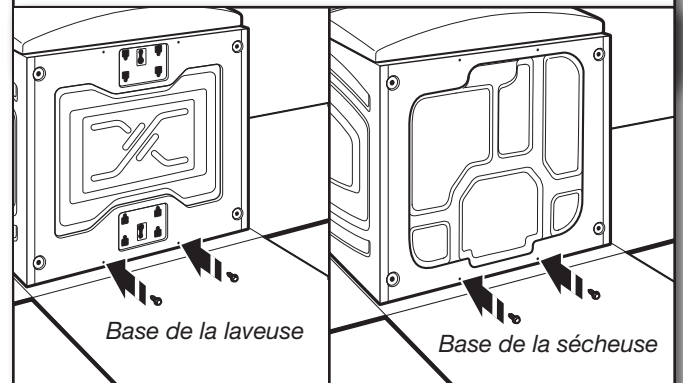
### 1. Identifier les cales d'espacement



Veiller à placer les quatre cales d'espacement au sommet du piedestal. Les cales d'espacement réduisent les vibrations entre le piedestal et la laveuse/sécheuse.

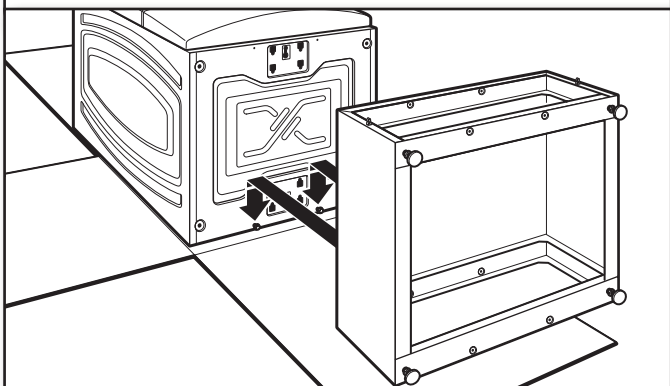
**REMARQUE :** Si des pieds sont installés sur la laveuse/sécheuse, les enlever.

### 2. Préparer l'ensemble de laveuse/sécheuse



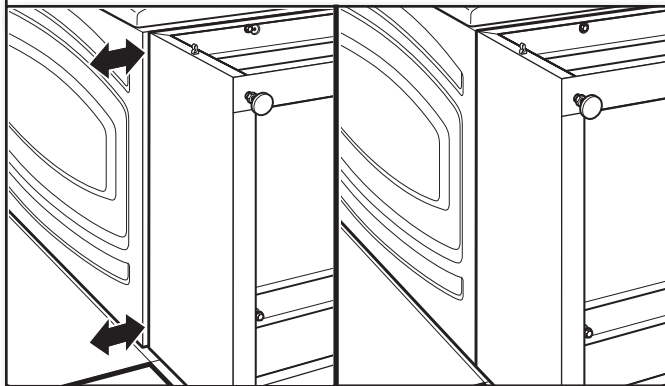
Insérer partiellement les deux vis de tôlerie à tête hexagonale n° 12 x 5/8" dans les trous inférieurs et laisser un espace d'environ 3/8" (10 mm) entre la tête de vis et le fond de la laveuse/sécheuse.

### 3. Rapprocher le piédestal



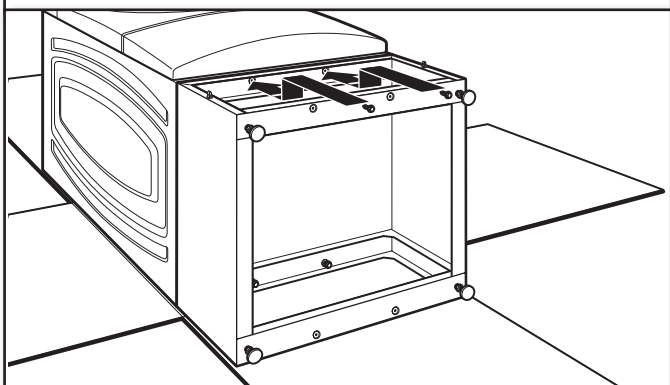
Placer le piédestal en contact avec la base de la laveuse/sécheuse. Engager les ouvertures en trou de serrure du piédestal sur les deux vis inférieures partiellement enfoncées.

### 5. Aligner les bords du piédestal



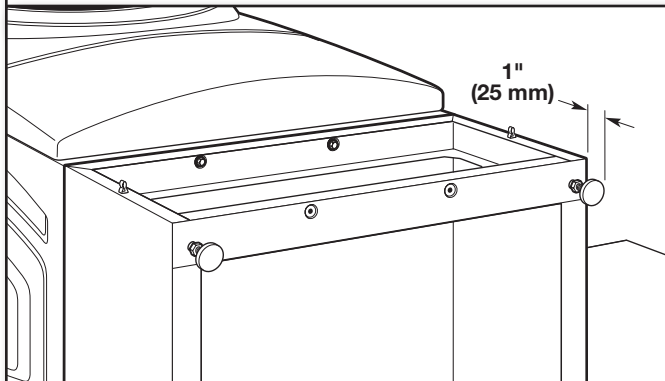
Aligner les bords du piédestal pour qu'ils soient en affleurement avec les bords de la laveuse/sécheuse. Bien serrer les quatre vis du piédestal (introduire le bras dans l'ouverture de passage du tiroir).

### 4. Fixer le piédestal



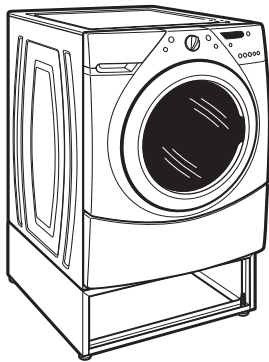
Positionner le piédestal vers l'avant de la laveuse/sécheuse et installer les deux autres vis de tôlerie à tête hexagonale. Ne pas visser complètement.

### 6. Préparer les pieds du piédestal



Le piédestal est fourni avec les pieds serrés contre la base de l'unité. À l'aide d'une clé à tête hexagonale de 1/4", ou d'une clé à molette, abaisser le pied d'environ 1" (25 mm) de la base du piédestal.

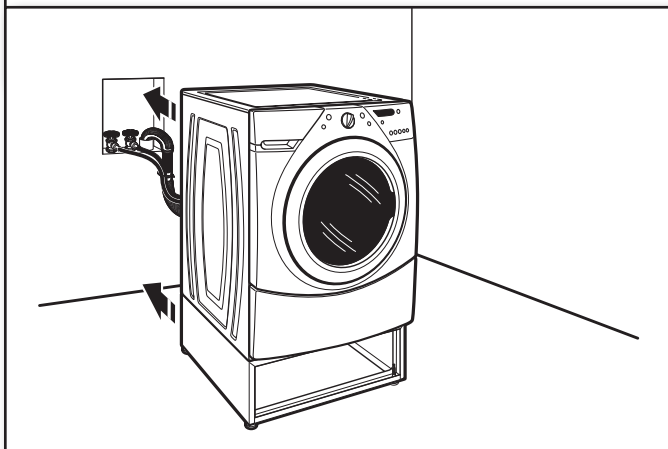
## 7. Relever verticalement la laveuse/sécheuse



Redresser la laveuse/sécheuse. Retirer et jeter tous les matériaux d'emballage restants.

## ACHEVER L'INSTALLATION

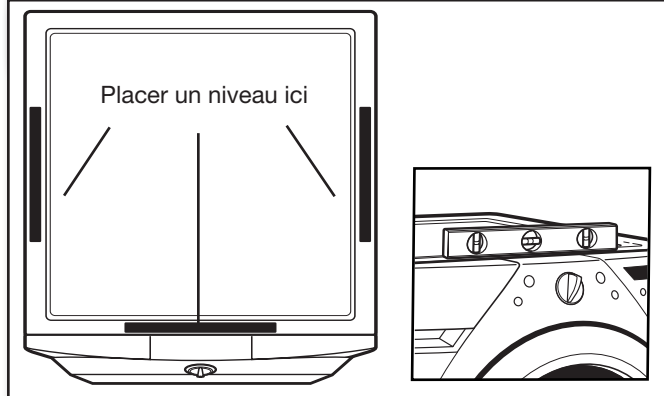
## 8. Placer près de l'emplacement final



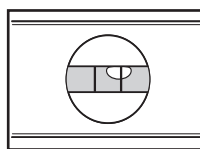
Exécuter les instructions d'installation fournies avec l'appareil pour terminer l'installation ou la réinstallation de la laveuse ou de la sécheuse (tuyaux d'eau, événements, etc.).

**REMARQUE :** Veiller à retirer les boulons de transport de l'arrière de la laveuse.

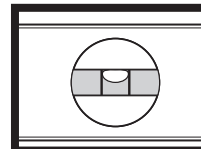
## 9. Vérifier l'aplomb de la laveuse/sécheuse



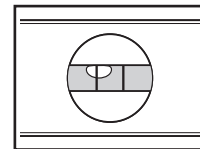
Placer un niveau aux bords supérieurs de la laveuse/sécheuse, en vérifiant chaque côté et le l'avant. Faire basculer l'appareil d'arrière en avant pour s'assurer que les quatre pieds sont fermement en contact avec le sol.



Non d'aplomb



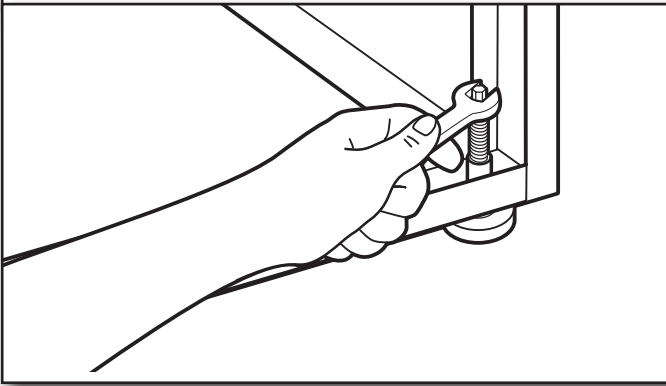
**D'APLOMB**



Non d'aplomb

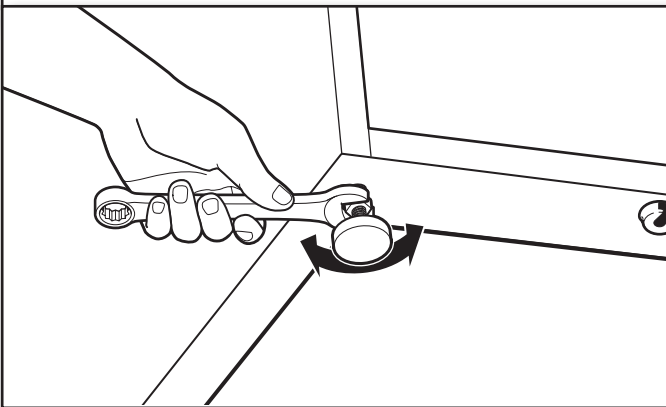
Si non d'aplomb, ajuster les pieds du piédestal vers le haut ou le bas en répétant au besoin.

## 10. Ajuster les pieds du piédestal



Localiser les vis à tête hexagonale de 1/4" au-dessus de chaque pied du piédestal. Pour mettre la laveuse/sécheuse d'aplomb, passer le bras à l'intérieur du piédestal et utiliser un cliquet à tête hexagonale ou une clé plate de 1/4" pour abaisser ou rehausser les pieds selon le besoin.

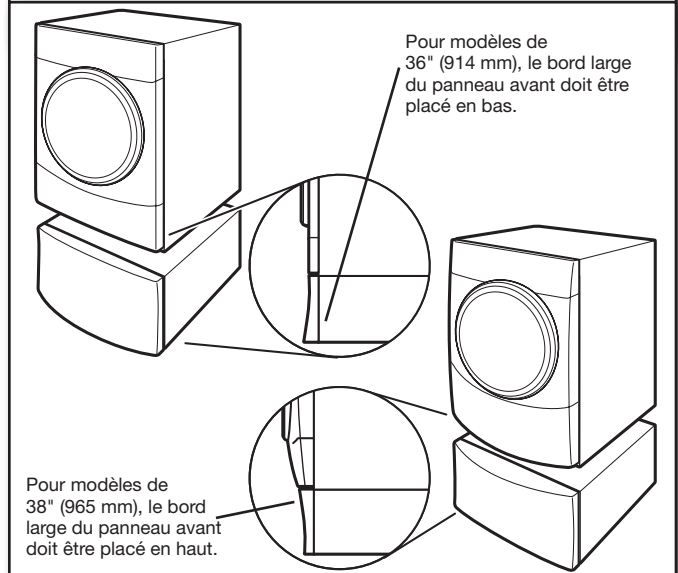
## 11. Bien serrer les contre-écrous



Une fois la laveuse ou la sécheuse d'aplomb et les quatre pieds sont bien en contact avec le plancher, utiliser une clé plate de 9/16" pour fixer solidement les quatre contre-écrous contre le piédestal.

**IMPORTANT :** Les contre-écrous doivent être serrés pour éviter les vibrations.

## 12. Installer le panneau avant du piédestal



Pour modèles de 36" (914 mm), le bord large du panneau avant doit être placé en bas.

Pour modèles de 38" (965 mm), le bord large du panneau avant doit être placé en haut.

Aligner le panneau avant avec le piédestal et emboîter l'ensemble.

**REMARQUE :** Suivre les "Instructions d'installation de la trousse d'étalage en magasin" si vous désirez utiliser les deux attaches de retenue incluses dans le sachet de pièces. Jeter les attaches de retenue si elles ne sont pas utilisées.

---

## Avant de faire un appel de service

Ce piédestal doit être installé seulement avec la laveuse ou sècheuse à chargement frontal appropriée de marque Whirlpool® ou Maytag®. Ce piédestal doit être utilisé conformément aux instructions du Manuel du propriétaire ou du Guide d'utilisation et d'entretien de votre laveuse ou sècheuse à chargement frontal de marque Whirlpool ou Maytag. Avant de faire un appel de service, veuillez repérer les numéros de modèle et de série pour le piédestal et la laveuse ou sècheuse correspondante à chargement frontal de marque Whirlpool ou Maytag.

Pour tout piédestal acheté pour utilisation avec une laveuse ou sècheuse à chargement frontal de marque Whirlpool ou Maytag, c'est la garantie du piédestal Whirlpool Corporation qui s'applique.

---

# GARANTIE DU PIÉDESTAL WHIRLPOOL CORPORATION

## GARANTIE LIMITÉE DE UN AN

Pendant un an à compter de la date d'achat, lorsque cet appareil ménager est utilisé et entretenu conformément aux instructions jointes à ou fournies avec le produit et utilisé avec la laveuse ou sècheuse à chargement frontal Whirlpool Corporation appropriée, Whirlpool ou Whirlpool Canada (ci-après désignées "Whirlpool") paiera pour les pièces de rechange spécifiées par l'usine et la main-d'œuvre pour corriger les vices de matériaux ou de fabrication. Le service doit être fourni par une compagnie de service désignée par Whirlpool.

---

## WHIRLPOOL NE PRENDRA PAS EN CHARGE

1. Les visites de service pour rectifier l'installation de l'appareil, montrer à l'utilisateur comment utiliser l'appareil, remplacer ou réparer des fusibles ou rectifier le câblage ou la plomberie du domicile.
2. Les réparations lorsque l'appareil est utilisé à des fins autres que l'usage unifamilial normal.
3. Les dommages imputables à : accident, modification, usage impropre ou abusif, incendie, inondation, actes de Dieu, installation fautive ou installation non conforme aux codes d'électricité ou de plomberie, ou l'utilisation de produits non approuvés par Whirlpool.
4. Le coût des pièces de rechange et de la main-d'œuvre pour les appareils utilisés hors des États-Unis ou du Canada.
5. Le ramassage et la livraison. Cet appareil est conçu pour être réparé à domicile.
6. Les réparations aux pièces ou systèmes résultant d'une modification non autorisée faite à l'appareil.
7. Les frais de voyage et de transport pour le service d'un produit dans les régions éloignées.
8. La dépose et la réinstallation de votre appareil si celui-ci est installé dans un endroit inaccessible ou n'est pas installé conformément aux instructions d'installation fournies.

---

## CLAUSE D'EXONÉRATION DE RESPONSABILITÉ AU TITRE DES GARANTIES IMPLICITES; LIMITATION DES RECOURS

CLAUSE D'EXONÉRATION DE RESPONSABILITÉ AU TITRE DES GARANTIES IMPLICITES; LIMITATION DES RECOURS  
LE SEUL ET EXCLUSIF RECOURS DU CLIENT DANS LE CADRE DE LA PRÉSENTE GARANTIE LIMITÉE CONSISTE EN LA RÉPARATION PRÉVUE CI-DESSUS. LES GARANTIES IMPLICITES, Y COMPRIS LES GARANTIES APPLICABLES DE QUALITÉ MARCHANDE ET D'APTITUDE À UN USAGE PARTICULIER, SONT LIMITÉES À UN AN OU À LA PLUS COURTE PÉRIODE AUTORISÉE PAR LA LOI. WHIRLPOOL N'ASSUME AUCUNE RESPONSABILITÉ POUR LES DOMMAGES FORTUITS OU INDIRECTS. CERTAINES JURIDICTIONS NE PERMETTENT PAS L'EXCLUSION OU LA LIMITATION DES DOMMAGES FORTUITS OU INDIRECTS, OU LES LIMITATIONS DE LA DURÉE DES GARANTIES IMPLICITES DE QUALITÉ MARCHANDE OU D'APTITUDE À UN USAGE PARTICULIER, DE SORTE QUE CES EXCLUSIONS OU LIMITATIONS PEUVENT NE PAS S'APPLIQUER DANS VOTRE CAS. CETTE GARANTIE VOUS CONFÈRE DES DROITS JURIDIQUES SPÉCIFIQUES ET VOUS POUVEZ ÉGALEMENT JOUIR D'AUTRES DROITS QUI PEUVENT VARIER D'UNE JURIDICTION À UNE AUTRE.

À l'extérieur du Canada et des 50 États des États-Unis, cette garantie ne s'applique pas. Contacter votre marchand Whirlpool autorisé pour déterminer si une autre garantie s'applique. Pour le service aux États-Unis, composer le 1-800-422-1230.

Au Canada, composer le 1-800-807-6777.

4/06

---

**Conservez ce manuel et votre reçu de vente pour référence ultérieure. Pour l'entretien sous garantie, vous devez présenter un document prouvant la date d'achat ou d'installation.**

Inscrivez les renseignements suivants au sujet de votre gros appareil ménager pour mieux vous aider à obtenir assistance ou réparation en cas de besoin. Vous devrez connaître le numéro de modèle et le numéro de série au complet. Vous trouverez ces renseignements sur la plaque signalétique située sur le produit.

Nom du marchand \_\_\_\_\_

Adresse \_\_\_\_\_

Numéro de téléphone \_\_\_\_\_

Numéro de modèle \_\_\_\_\_

Numéro de série \_\_\_\_\_

Date d'achat \_\_\_\_\_

