



User Guide

Bottom Mount Refrigerator

Learn More

In an effort to conserve natural resources, this refrigerator includes a condensed User Guide. A complete User Instructions manual can be downloaded at: www.whirlpool.com/manuals. The model number is located on the inside wall of the refrigerator compartment.

In the U.S.A.:

For assistance or service, call **1-800-253-1301**.

Register your refrigerator at **www.whirlpool.com**.

In Canada:

For assistance or service, call **1-800-807-6777**.

Register your refrigerator at **www.whirlpool.ca**.

Para una version de estas instrucciones en español, visite www.whirlpool.com.

Your safety and the safety of others are very important.

We have provided many important safety messages in this manual and on your appliance. Always read and obey all safety messages.



This is the safety alert symbol.

This symbol alerts you to potential hazards that can kill or hurt you and others.

All safety messages will follow the safety alert symbol and either the word "DANGER" or "WARNING."

These words mean:

⚠ DANGER

You can be killed or seriously injured if you don't immediately follow instructions.

⚠ WARNING

You can be killed or seriously injured if you don't follow instructions.

All safety messages will tell you what the potential hazard is, tell you how to reduce the chance of injury, and tell you what can happen if the instructions are not followed.

IMPORTANT SAFETY INSTRUCTIONS

WARNING: To reduce the risk of fire, electric shock or injury to persons when using the refrigerator, follow basic precautions, including the following:

- Plug into a grounded 3 prong outlet.
- Do not remove the ground prong.
- Do not use an adapter.
- Do not use an extension cord.
- Disconnect power before servicing.
- Replace all parts and panels before operating.
- Remove doors from your old refrigerator.
- Connect to a potable water supply only.
- Use a sturdy glass when dispensing ice (on some models).
- Keep flammable materials and vapors, such as gasoline, well away from the refrigerator.
- Keep ventilation openings, in the appliance enclosure or in the built-in structure, clear of obstruction.
- Do not use mechanical devices or other means to accelerate the defrosting process, other than those recommended by the manufacturer.
- Use two or more people to move and install the refrigerator.
- Disconnect the power before installing the ice maker (on ice maker kit-ready models only).
- Use a sturdy glass when dispensing ice (on some models).
- Do not hit the refrigerator glass doors (on some models).
- Use nonflammable cleaner.
- Do not damage the refrigerant circuit.
- Do not use electrical appliances inside the food storage compartments of the appliance, unless they are of type recommended by the manufacturer.
- This appliance is not intended for use by persons (including children) with reduced physical, sensory or mental capabilities, or lack of experience and knowledge, unless they have been given supervision or instruction concerning use of the appliance by a person responsible for their safety.
- Children should be supervised to ensure that they do not play with the appliance.
- If the supply cord is damaged, it must be replaced by the manufacturer, its service agent or similarly qualified person in order to avoid a hazard.
- Do not store explosive substances such as aerosol cans with a flammable propellant in this appliance.
- This appliance is intended to be used in household and similar applications such as:
 - Staff kitchen areas in shops, offices and other working environments;
 - Farm houses and by clients in hotels, motels and other residential type environments;
 - Bed and breakfast type environments;
 - Catering and similar non-retail applications.

SAVE THESE INSTRUCTIONS

Proper Disposal of Your Old Refrigerator

! WARNING

Suffocation Hazard

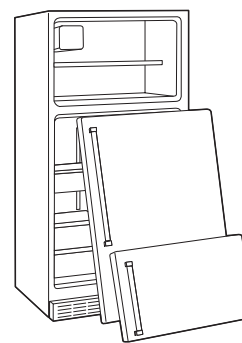
Remove doors or lid from your old freezer or refrigerator.

Failure to do so can result in death or brain damage.

IMPORTANT: Child entrapment and suffocation are not problems of the past. Junked or abandoned refrigerators are still dangerous – even if they will sit for “just a few days.” If you are getting rid of your old refrigerator, please follow these instructions to help prevent accidents.

Before You Throw Away Your Old Refrigerator or Freezer:

- Take off the doors.
- Leave the shelves in place so that children may not easily climb inside.



Important information to know about disposal of refrigerants:

Dispose of refrigerator in accordance with Federal and Local regulations. Refrigerants must be evacuated by a licensed, EPA certified refrigerant technician in accordance with established procedures.

INSTALLATION INSTRUCTIONS

Unpack the Refrigerator

WARNING

Excessive Weight Hazard

Use two or more people to move and install refrigerator.

Failure to do so can result in back or other injury.

1. Remove tape and glue residue from surfaces before turning on the refrigerator. Rub a small amount of liquid dish soap over the adhesive with your fingers. Rinse with warm water and dry with a soft cloth.

NOTE: Do not use sharp instruments, rubbing alcohol, flammable fluids, or abrasive cleaners to remove tape or glue. These products can damage the surface of your refrigerator. For more information see "Refrigerator Safety."

When Moving Your Refrigerator:

Your refrigerator is heavy. When moving the refrigerator for cleaning or service, be sure to cover the floor with cardboard or hardboard to avoid floor damage. Always pull the refrigerator straight out when moving it. Do not wiggle or "walk" the refrigerator when trying to move it, as floor damage could occur.

DANGER



Explosion Hazard

Risk of fire or explosion due to puncture of refrigerant tubing.

Follow handling instructions carefully. Flammable refrigerant used.

Electrical Requirements

WARNING



Electrical Shock Hazard

Plug into a grounded 3 prong outlet.

Do not remove ground prong.

Do not use an adapter.

Do not use an extension cord.

Failure to follow these instructions can result in death, fire, or electrical shock.

Before you move your refrigerator into its final location, it is important to make sure you have the proper electrical connection.

If the supply cord is damaged, it must be replaced by the manufacturer or its service agent or a similarly qualified person. Do not use a cord that shows cracks or abrasion damage along its length or at either the plug or connector end.

Recommended Grounding Method

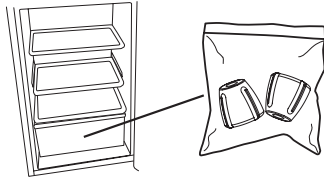
A 115 V, 60 Hz, AC only, 15 A or 20 A fused, grounded electrical supply is required. It is recommended that a separate circuit serving only your refrigerator be provided. Use an outlet that cannot be turned off by a switch. Do not use an extension cord.

NOTE: Before performing any type of installation or cleaning, or removing a light bulb, turn cooling off or turn the control (Thermostat, Refrigerator or Freezer Control depending on the model) to OFF, and then disconnect the refrigerator from the electrical source. When you are finished, reconnect the refrigerator to the electrical source and turn cooling on or reset the control (Thermostat, Refrigerator or Freezer Control depending on the model) to the desired setting. See "Using the Controls" in the User Instructions, User Guide, or Use & Care Guide.

Install Levelers

IMPORTANT: Lay down the refrigerator ONLY to your left-hand side (as you are looking at the front of the refrigerator) to avoid damaging the refrigerator.

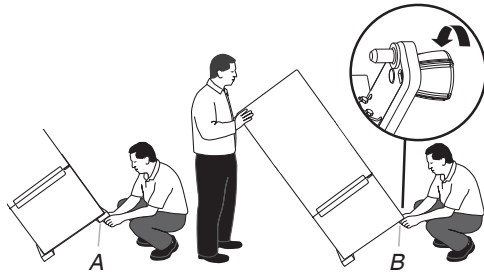
1. Locate the levelers. They are enclosed in a plastic bag inside the crisper drawer.



2. Using two or more people, access the bottom of the refrigerator either by tilting it first to one side and then the other or by laying it down on the floor to your left-hand side as shown.

- Tilt the refrigerator to the side enough to access the bottom. Using a 3/8" hex driver, remove the two screws attaching the wooden runner to the bottom of the refrigerator. Then install a leveler to the front corner. Repeat for the opposite side.

NOTE: The refrigerator cabinet should not touch the floor without a leveler installed.



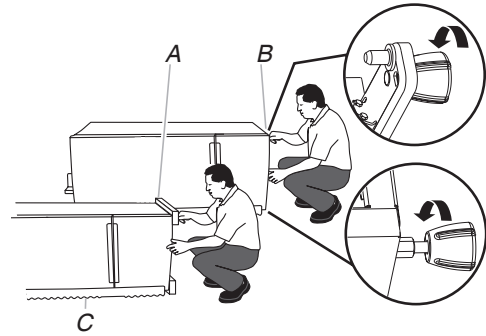
A. Remove runner.
B. Install leveler.

OR

- Using the packaging corner posts (left-hand side, front and back) as a cushion, lay the refrigerator down on the floor (to your left-hand side only) as shown in the following graphic.

NOTE: Using the packaging as a cushion will help to avoid possible damage to the refrigerator.

- Using a 3/8" hex driver, remove the two screws attaching each wooden runner to the bottom of the refrigerator. Install a leveler to each of the front corners.



A. Remove runner.
B. Install leveler.
C. Packaging corner post.

Clean Before Using

After you remove all of the package materials, clean the inside of your refrigerator before using it. See the cleaning instructions in "Refrigerator Care."

Important information to know about glass shelves and covers:

Do not clean glass shelves or covers with warm water when they are cold. Shelves and covers may break if exposed to sudden temperature changes or impact, such as bumping. Tempered glass is designed to shatter into many small, pebble-size pieces. This is normal. Glass shelves and covers are heavy. Use both hands when removing them to avoid dropping.

Location Requirements

IMPORTANT: This refrigerator is designed for indoor, household use only.

⚠ WARNING



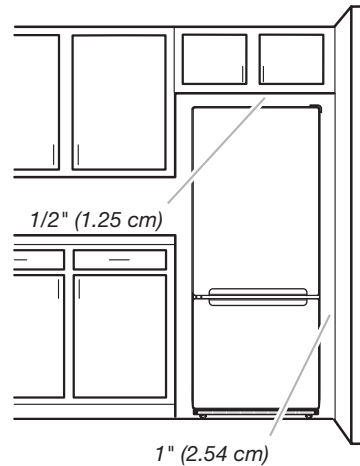
Explosion Hazard

Keep flammable materials and vapors, such as gasoline, away from refrigerator.

Failure to do so can result in death, explosion, or fire.

To ensure proper ventilation for your refrigerator, it is recommended to allow a 1/2" (1.25 cm) space on each side. Allow 1 1/2" (3.81 cm) of space between overhead cabinets and refrigerator top. Allow at least 1" (2.54 cm) between back of cabinet and the wall (consider the condenser as back in case is present). If your refrigerator has an ice maker, make sure you leave extra space at the back for the water line connections. If you are installing your refrigerator next to a fixed wall, leave enough space on the hinge side to allow the door to swing open.

NOTE: This refrigerator is intended for use in a location where the temperature ranges from a minimum of 55°F (13°C) to a maximum of 110°F (43°C). The preferred room temperature range for optimum performance, which reduces electricity usage and provides superior cooling, is between 60°F (15°C) and 90°F (32°C). It is recommended that you do not install the refrigerator near a heat source, such as an oven or radiator.



Electrical Requirements

⚠ WARNING



Electrical Shock Hazard

Plug into a grounded 3 prong outlet.

Do not remove ground prong.

Do not use an adapter.

Do not use an extension cord.

Failure to follow these instructions can result in death, fire, or electrical shock.

Before you move your refrigerator into its final location, it is important to make sure you have the proper electrical connection.

Recommended Grounding Method

A 115 V, 60 Hz, AC only, 15 A or 20 A fused, grounded electrical supply is required. It is recommended that a separate circuit serving only your refrigerator be provided. Use an outlet that cannot be turned off by a switch. Do not use an extension cord.

NOTE: Before performing any type of installation or cleaning, or removing a light bulb, turn cooling off or turn the control (Thermostat, Refrigerator or Freezer Control depending on the model) to OFF, and then disconnect the refrigerator from the electrical source. When you are finished, reconnect the refrigerator to the electrical source, and turn cooling on or reset the control (Thermostat, Refrigerator or Freezer Control, depending on the model) to the desired setting. See "Using the Controls" in the User Instructions, User Guide, or Use & Care Guide.

Water Supply Requirements

Read all directions before you begin.

IMPORTANT:

- Connect to potable water supply only.

Do not use with water that is microbiologically unsafe or of unknown quality without adequate disinfection before or after the system. Systems certified for cyst reduction may be used on disinfected waters that may contain filterable cysts.

- If you turn the refrigerator on before the water line is connected, turn the ice maker off.
- All installations must meet local plumbing code requirements.
- Use copper tubing and check for leaks. Install copper tubing only in areas where the household temperatures will remain above freezing.

TOOLS NEEDED: Flat-blade screwdriver, 7/16" and 1/2" open-end wrenches or 2 adjustable wrenches, 1/4" nut driver and drill bit, cordless drill. Gather the required tools and parts before starting installation. Read and follow the instructions provided with any tools listed.

NOTE: Your refrigerator dealer has a kit available with a 1/4" (6.35 mm) saddle-type shutoff valve, a union, and copper tubing. Before purchasing, make sure a saddle-type valve complies with your local plumbing codes. Do not use a piercing-type or 3/16" (4.76 mm) saddle valve which reduces water flow and clogs more easily.

Water Pressure

A cold water supply with water pressure between 30 psi and 120 psi (207 kPa and 827 kPa) is required to operate the ice maker. If you have questions about your water pressure, call a licensed, qualified plumber.

Reverse Osmosis Water Supply

If a reverse osmosis water filtration system is connected to your cold water supply, the water pressure to the reverse osmosis system needs to be a minimum of 40 psi to 60 psi (276 kPa to 414 kPa).

If the water pressure to the reverse osmosis system is less than 40 psi to 60 psi (276 kPa to 414 kPa), a booster pump can be inserted into the small tubing that goes from the cold water line to the reverse osmosis system.

If the ice maker is still not operating properly:

- Check to see whether the sediment filter in the reverse osmosis system is blocked. Replace the filter if necessary.
- Allow the storage tank on the reverse osmosis system to refill after heavy usage.

If you have questions about your water pressure, call a licensed, qualified plumber.

Connect the Water Supply (on some models)

Read all directions before you begin.

IMPORTANT: If you turn the refrigerator on before the water line is connected, turn the ice maker off to avoid excessive noise or damage to the water valve.

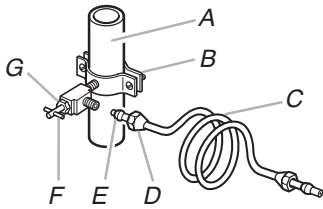
Connect the Water Line

1. Unplug refrigerator or disconnect power.
2. Turn off main water supply. Turn on nearest faucet long enough to clear line of water.
3. Locate a 1/2" to 1 1/4" (1.27 cm to 3.18 cm) vertical cold water pipe near the refrigerator.

IMPORTANT:

- Make sure it is a cold water pipe.
 - Horizontal pipe will work. Drill on the top side of the pipe, not the bottom. This will help keep water away from the drill and normal sediment from collecting in the valve.
4. Determine the length of copper tubing you will need. Measure from the connection on lower left rear of refrigerator to the water pipe. Add 7 ft (2.1 m) to allow for cleaning. Use 1/4" (6.35 mm) O.D. (outside diameter) copper tubing. Be sure both ends of copper tubing are cut square.

- Using a cordless drill, drill a 1/4" (6.35 mm) hole in the cold water pipe you have selected.



- | | |
|--------------------|-----------------------|
| A. Cold water pipe | E. Compression sleeve |
| B. Pipe clamp | F. Shutoff valve |
| C. Copper tubing | G. Packing nut |
| D. Compression nut | |

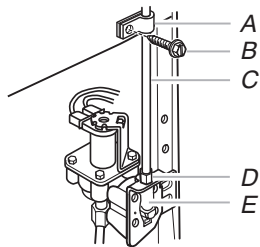
- Fasten the shutoff valve to the cold water pipe with the pipe clamp. Be sure the outlet end is solidly in the 1/4" (6.35 mm) drilled hole in the water pipe and that the washer is under the pipe clamp. Tighten the packing nut. Tighten the pipe clamp screws slowly and evenly so washer makes a watertight seal. Do not overtighten.
- Slip the compression sleeve and compression nut on the copper tubing as shown. Insert the end of the tubing into the outlet end squarely as far as it will go. Screw compression nut onto outlet end with adjustable wrench. Do not overtighten.
- Place the free end of the copper tubing in a container or sink, and turn on the main water supply. Flush the tubing until water is clear. Turn off the shutoff valve on the water pipe. Coil the copper tubing.

Connect to Refrigerator

NOTE: On kit models, attach water valve to refrigerator according to kit instructions.

Style 1

- Unplug refrigerator or disconnect power.
- Attach the copper tube to the valve inlet using a compression nut and sleeve as shown. Tighten the compression nut. Do not overtighten.
- Use the tube clamp on the back of the refrigerator to secure the tubing to the refrigerator as shown. This will help avoid damage to the tubing when the refrigerator is pushed back against the wall.
- Turn shutoff valve ON.
- Check for leaks. Tighten any connections (including connections at the valve) or nuts that leak.

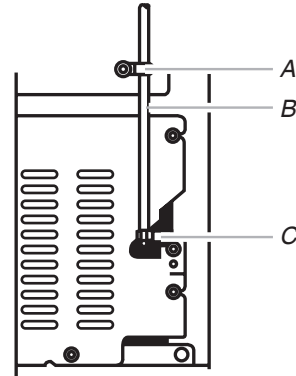


- | | |
|---------------------|--------------------|
| A. Tube clamp | D. Compression nut |
| B. Tube clamp screw | E. Valve inlet |
| C. Copper tubing | |

- The ice maker is equipped with a built-in water strainer. If your water conditions require a second water strainer, install it in the 1/4" (6.35 mm) water line at either tube connection. Obtain a water strainer from your nearest appliance dealer.

Style 2

- Unplug refrigerator or disconnect power.
- Disconnect the tube clamp on the back of the product and insert the copper tubing through the clamp as shown.
- Attach the copper tube to the valve inlet using a compression nut and sleeve as shown.
- Tighten the compression nut. Do not overtighten. Reattach the tube clamp and tube to the back of the cabinet.



- | | |
|------------------|--------------------|
| A. Tube clamp | C. Compression nut |
| B. Copper tubing | |

- Turn shutoff valve ON. Check for leaks. Tighten any connections (including connections at the valve) or nuts that leak.
- The ice maker is equipped with a built-in water strainer. If your water conditions require a second water strainer, install it in the 1/4" (6.35 mm) water line at either tube connection. Obtain a water strainer from your nearest appliance dealer.

Complete the Installation

⚠ WARNING



Electrical Shock Hazard

Plug into a grounded 3 prong outlet.

Do not remove ground prong.

Do not use an adapter.

Do not use an extension cord.

Failure to follow these instructions can result in death, fire, or electrical shock.

- Plug into a grounded 3 prong outlet.

NOTE: Allow 24 hours to produce the first batch of ice. Discard the first three batches of ice produced. Allow 3 days to completely fill ice container.

Refrigerator Doors

TOOLS NEEDED: 5/16" hex-head socket wrench, #2 Phillips screwdriver, flat-blade screwdriver, 5/16" open-end wrench, flat 2" putty knife.

IMPORTANT:

⚠️ WARNING



Electrical Shock Hazard

Disconnect power before removing doors.

Failure to do so can result in death or electrical shock.

- Before you begin, turn off the refrigerator control. Unplug refrigerator or disconnect power.
- Remove food and adjustable door or utility bins from doors.
- If you are only removing and replacing the doors, see the "Remove Doors and Hinges" and "Replace Doors and Hinges" sections.

Remove Doors and Hinges

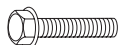
1. Unplug refrigerator or disconnect power.

⚠️ WARNING

Excessive Weight Hazard

Use two or more people to lift the refrigerator door.

Failure to do so can result in back or other injury.



A. 5/16" Hex-Head Hinge Screw

2. Close the refrigerator door and keep both doors closed until you are ready to lift them free from the cabinet.
NOTE: Provide support between the freezer and refrigerator doors while the hinges are being moved. Do not depend on the door magnets to hold the doors in place while you are working.
3. Remove the parts for the top hinge as shown in Top Hinge graphic. Lift the freezer door free from the cabinet.
4. Remove the parts for the center hinge as shown in the Center Hinge graphic.
NOTE: Provide support between the refrigerator door and the floor while the hinges are being moved. Do not depend on the door magnets to hold the door in place while you are working.
5. Lift the refrigerator door free from the cabinet.
6. Remove the four screws, (two on the bottom and two on the front) attaching the bottom hinge to the cabinet. See Bottom Hinge graphic.

Reverse Doors (optional)

IMPORTANT: If you want to reverse your doors so that they open in the opposite direction, follow these steps. If you are not reversing the doors, see "Replace Doors and Hinges."

Graphics follow these instructions.



Door Hinge Hole Plug

Cabinet

1. From the top of the cabinet, remove the hinge caps, move them to the opposite side, and insert the hinge caps into the holes from where you removed the hinge screws. See Graphic 1-2.
2. Remove the screws filling the holes to be used for the center hinge and install them on the opposite side.
3. Move the leveler from the bottom of the refrigerator and install it on the opposite side.
4. Move the parts of the top hinge, center hinge and bottom hinge to the opposite side.

Doors

1. Remove door hinge hole plug from top of freezer door. Move to opposite side as shown. See Graphic 2.
2. Remove the door stop from the bottoms of both the freezer and refrigerator doors and install them on the opposite side. See Graphics 3 and 4.

Replace Doors and Hinges

NOTES:

- Door Removal & Replacement and Door Swing Reversal graphics may be reversed if door swing is reversed.
- Provide additional support for the doors while the hinges are being reinstalled. Do not depend on the door magnets to hold the doors in place while you are working.
 1. Replace the parts for the bottom hinge as shown. Tighten screws. Replace the refrigerator door.
 2. Assemble the parts for the center hinge as shown and tighten all screws. See Center Hinge graphic. Replace the freezer door.
 3. Assemble the parts for the top hinge as shown. See Top Hinge graphic. Do not tighten screws completely.
 4. Align the doors so that the bottom of the freezer door is even with the top of the refrigerator door. Tighten all screws.

Final Steps

1. Check all holes to make sure that hinge caps and screws are in place.

⚠️ WARNING



Electrical Shock Hazard

Plug into a grounded 3 prong outlet.

Do not remove ground prong.

Do not use an adapter.

Do not use an extension cord.

Failure to follow these instructions can result in death, fire, or electrical shock.

2. Plug into a grounded 3 prong outlet.
3. Reset the controls. See "Using the Control(s)" in the User Instructions, User Guide, or Use & Care Guide.
4. Return all removable door parts to doors and food to refrigerator.



WARNING

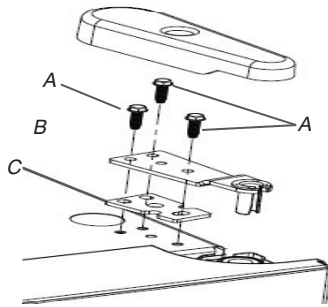
Electrical Shock Hazard

Disconnect power before removing doors.

Failure to do so can result in death or electrical shock.

DOOR REMOVAL AND REPLACEMENT

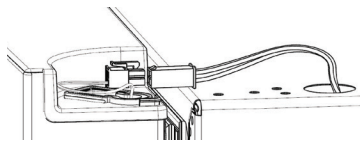
Top Hinge



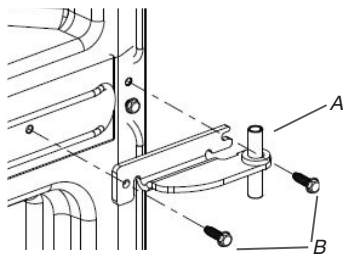
- A. 5/16" Hex-Head Hinge Screws
- B. Top Hinge
- C. Spacer

In case your refrigerator has electronic control on the door disconnect the cables and connect them on the other side

Wiring plug

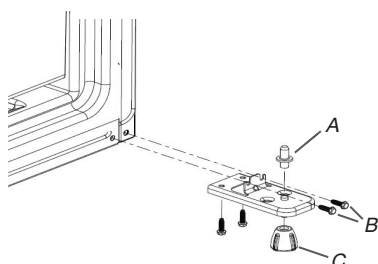


Center Hinge



- A. Center Hinge
- B. 5/16" Hex-Head Hinge Screws

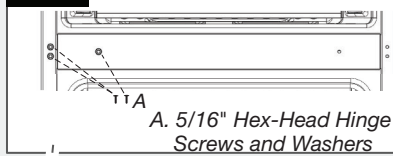
Bottom Hinge



- A. Bottom Hinge
- B. 5/16" Hex-Head Hinge Screws
- C. Leveler

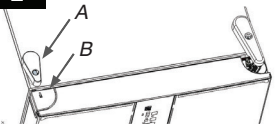
DOOR SWING REVERSAL (OPTIONAL)

1-1



A. 5/16" Hex-Head Hinge Screws and Washers

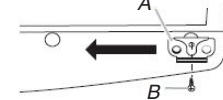
1-2



- A. Cabinet Hinge Cover
- B. Door Hinge cover

3

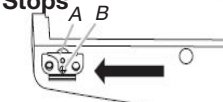
Removal of Door Stops



- A. Door Stop
- B. Door Stop Screw

4

Reinstallation of Door Stops



- A. Door Stop
- B. Door Stop Screw

Leveling and Door Adjustment

⚠ WARNING

Excessive Weight Hazard

Use two or more people to move and install refrigerator.

Failure to do so can result in back or other injury.

Your refrigerator has two adjustable levelers, one on each side, at the base of the refrigerator. If your refrigerator seems unsteady or if you want the doors to close more easily, adjust the level and tilt of the refrigerator.

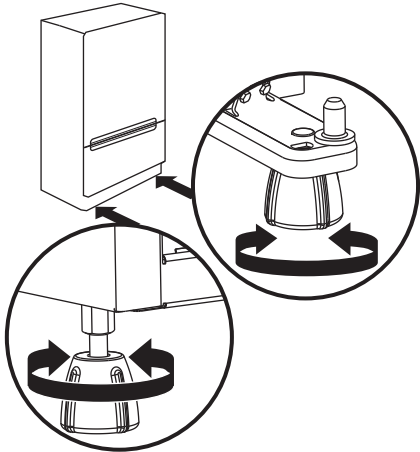
1. Turn the leveler to the left to raise that side of the refrigerator or to the right to lower that side. It may take several turns to level the refrigerator.

NOTE: Having someone push against the top of the refrigerator takes some weight off the levelers. This makes it easier to turn the levelers.

2. Once the refrigerator is level from side to side, raise the front levelers so that the refrigerator is tilted slightly (approximately 1/2") downward to the rear. The doors will close more easily and the freezer door will remain closed whenever you close the refrigerator door.
3. Open both doors again to make sure that they close as easily as you like. If not, tilt the refrigerator slightly more to the rear by turning both levelers to the right. It may take several more turns.

NOTE: To keep the refrigerator level, make the same adjustment to each side.

4. Using a level, make sure the refrigerator is still level from side to side. Readjust if necessary.



Normal Sounds

Your new refrigerator may make sounds that your old one didn't make. Because the sounds are new to you, you might be concerned about them. Most of the new sounds are normal. Hard surfaces, such as the floor, walls, and cabinets, can make the sounds seem louder. The following describes the kinds of sounds and what may be making them.

- If your refrigerator is equipped with an ice maker, you will hear a buzzing sound when the water valve opens to fill the ice maker for each cycle.

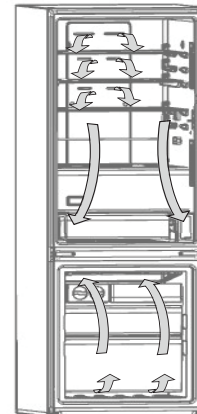
- Your refrigerator is designed to run more efficiently to keep your food items at the desired temperatures and to minimize energy usage. The high efficiency compressor and fans may cause your refrigerator to run longer than your old one. You may also hear a pulsating or high-pitched sound from the compressor or fans adjusting to optimize performance.
- You may hear the evaporator fan motor circulating air through the refrigerator and freezer compartments. The fan speed may increase as you open the doors or add warm food.
- Rattling noises may come from the flow of refrigerant, the water line, or items stored on top of the refrigerator.
- Water dripping on the defrost heater during a defrost cycle may cause a sizzling sound.
- As each cycle ends, you may hear a gurgling sound due to the refrigerant flowing in your refrigerator.
- Contraction and expansion of the inside walls may cause a popping noise.
- You may hear air being forced over the condenser by the condenser fan.
- You may hear water running into the drain pan during the defrost cycle.

REFRIGERATOR USE

Ensuring Proper Air Circulation

In order to ensure proper temperatures, you need to permit airflow between the refrigerator and freezer sections. As shown in the illustration, cool air enters through the bottom of the freezer section and moves up. Most of the air then flows through the freezer section vents and recirculates under the freezer floor. The rest of the air enters the refrigerator section through the top vent.

NOTE: Depending on your model, the refrigerator may have either a Normal flow or Multiflow air system.



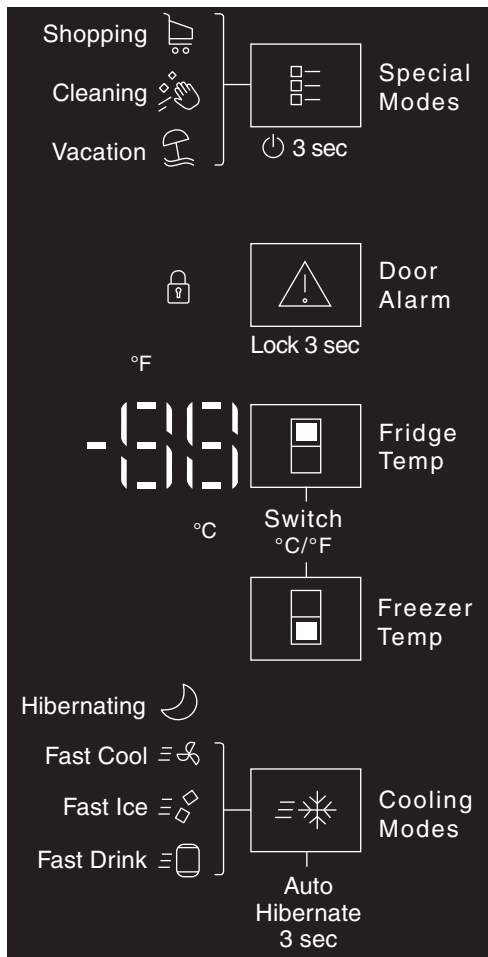
Do not block any of these vents with food packages. If the vents are blocked, airflow will be restricted and temperature and moisture problems may occur.

IMPORTANT: Because air circulates between both sections, any odors formed in one section will transfer to the other. You must thoroughly clean both sections to eliminate odors. To avoid odor transfer and drying out of food, wrap or cover foods tightly.

OPERATING YOUR REFRIGERATOR

How to use the refrigerator with electronic control (some models)

Your refrigerator is equipped with a cutting-edge and user-friendly electronic temperature control located on the front panel of the refrigerator door.



Fridge Temp and Freezer Temp

Refrigerator: The Temperature Control will help you to adjust the temperature in your refrigerator within a range of 5 options. The temperature displayed is an average value in Degrees Celsius in the Refrigerator compartment.

Least Cold	8°C	43°F
	↓ 6°C	39°F
Recommended	4°C	36°F
	↓ 2°C	32°F
Coldest	1°C	30°F

Fridge Default Temperature Settings: The Table on the left shows the temperature presets that you can select for your refrigerator. To select a setting, press the Temperature button until the value is displayed. The options will be displayed cyclically. (the values displayed are only an example).

Freezer: The Temperature Control will help you to adjust the temperature in your Freezer within a range of 5 options. The temperature displayed is an average value in Degrees Celsius in the Freezer compartment.

Least Cold	-15°C	5°F
	↓ -17°C	2°F
Recommended	-20°C	-4°F
	↓ -22°C	-7°F
Coldest	-24°C	-11°F

Freezer Default Temperature Settings: The Table on the left shows the temperature presets that you can select for your Freezer. To select a setting, press the Temperature button until the value is displayed. The options will be displayed cyclically. (the values displayed are only an example).

Switch between °C / °F: Your refrigerator displays temperature values in Degrees Centigrade (°C) by default. You can switch to degrees Fahrenheit (°F) by pressing both temperature buttons for 3 seconds.

The Open-Door Alarm will be displayed when the refrigerator door is left open. If the door is not closed within 5 minutes, the system will give off an audible warning (this can be deactivated by pressing the "Door Alarm button"). The alarm is deactivated automatically once the door is closed.

Switch OFF/ON: You can switch off your appliance without disconnecting it by pressing the Special Modes button for 3 seconds and switch it back on in the same way.

Special Modes

Shopping Full Load Quick Cooling activates a quick cooling system designed to effectively cool when you load items into the refrigerator. It is deactivated automatically after 6 hours.

Cleaning The Active Cleaning mode pauses cooling temporarily to allow you to clean the inside of the refrigerator. It is deactivated automatically after 15 minutes.

Vacation The Vacation mode activates a low power consumption system when you do not expect to be using the appliance for several days. Press the Special Modes button again to deactivate this mode.

To block the panel functions, press the Door Alarm button for 3 seconds to block all the functions and to prevent someone from changing your settings. To unblock it, press the same button again for 3 seconds.

Auto-Hibernate

Hibernating Your product can deliver optimal performance when you are not at home. For this purpose, use the Hibernating function to set the appliance to energy optimizing mode while you are not using it. Press the Cooling Modes button for 3 seconds to enter this mode and improve the appliance's performance for as long as you wish. To exit this mode, press the same button again for 3 seconds.

COOLING MODE

Fast Cool Use Quick Cooling in the freezer to make ice faster or freeze your food or drinks for longer. (Some Models)

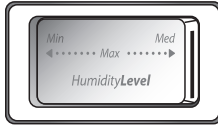
Fast Ice Full Load Quick Cooling activates a quick cooling system of all content and can be used for parties or meetings. This quick cooling system is available at all times.

Fast Drink Quick Drink Cooling activates a quick cooling system to cool a drink for immediate use (bottle or can). To use this function, place the drink inside the freezer drawers. Once the cooling time ends, an alarm will go off to tell you that you can remove and enjoy your drink. It is deactivated automatically after 30 minutes.

Crisper Humidity Control (on some models)

You control the amount of humidity in the moisture-sealed crisper. Depending on the produce you are storing, select the desired Humidity Level.

Humidity Level - Min Setting



MIN (open) lets moist air out of the crisper for best storage of fruits and vegetables with skins.

- Fruit: Wash, let dry and store in refrigerator in plastic bag or crisper. Do not wash or cut berries until they are ready to use. Sort and keep berries in original container in crisper, or store in a loosely closed paper bag on a refrigerator shelf.
- Vegetables with skins: Place in plastic bag or plastic container and store in crisper.

Humidity Level - Max Setting

MAX (closed) keeps moist air in the crisper for best storage of fresh, leafy vegetables.

- Leafy vegetables: Wash in cold water, drain and trim or tear off bruised and discolored areas. Place in plastic bag or plastic container and store in crisper.

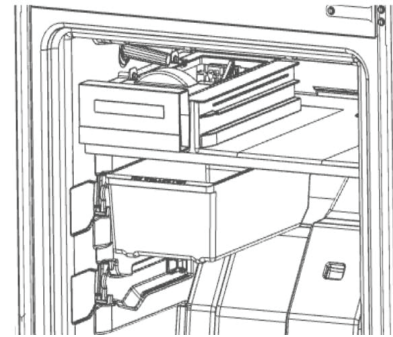
ICE AND WATER

Ice Maker (on some models - Accessory)

- Allow 24 hours to produce the first batch of ice. Discard the first three batches of ice produced.
- The quality of your ice will be only as good as the quality of the water supplied to your ice maker. Avoid connecting the ice maker to a softened water supply. Water softener chemicals such as salt can damage parts of the ice maker and lead to poor quality ice. If a softened water supply cannot be avoided, make sure the water softener is operating properly and is well maintained.
- Do not use anything sharp to break up the ice in the storage bin. This can cause damage to the ice container and the dispenser mechanism.
- Do not store anything on top of or in the ice maker or storage bin.

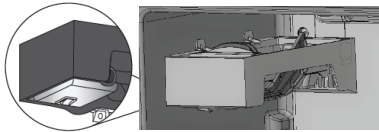
- To turn on the ice maker, lift open the ice maker door, flip the switch to the On (right) position.
- To manually turn off the ice maker, lift open the ice maker door, flip the switch to the Off (left) position. Ice can still be dispensed, but no more can be made.

NOTE: Your ice maker has an automatic shutoff to keep the storage bin from overflowing during normal operation. As ice is made, the ice cubes will fill the ice storage bin, and the ice cubes will raise the shutoff arm to the Off (arm up) position. When the storage bin is at full capacity, the ice maker will automatically stop ice production, but the ice maker On/Off switch will remain in the On position.



Turning the Ice Maker On/Off

The On/Off switch is located on the bottom of the Ice Maker, can be accessed by lifting and opening the ice maker door.



REFRIGERATOR CARE

Cleaning

WARNING



Explosion Hazard

Use nonflammable cleaner.

Failure to do so can result in death, explosion, or fire.

Both the refrigerator and freezer sections defrost automatically. However, clean both sections about once a month to avoid buildup of odors. Wipe up spills immediately.

IMPORTANT: Because air circulates between both sections, any odors formed in one section will transfer to the other. You must thoroughly clean both sections to eliminate odors. To avoid odor transfer and drying out of food, wrap or cover foods tightly.

To Clean Your Refrigerator:

NOTE: Do not use abrasive or harsh cleaners such as window sprays, scouring cleansers, flammable fluids, cleaning waxes, concentrated detergents, bleaches or cleansers containing petroleum products on plastic parts, interior and door liners or gaskets. Do not use paper towels, scouring pads, or other harsh cleaning tools.

1. Unplug refrigerator or disconnect power.
2. Hand wash, rinse, and dry removable parts and interior surfaces thoroughly. Use a clean sponge or soft cloth and a mild detergent in warm water.
3. Wash painted metal exteriors with a clean sponge or soft cloth and a mild detergent in warm water. Dry thoroughly with a soft cloth.
4. Plug in refrigerator or reconnect power.

Vacation

If you installed an ice maker and connected it to your household water line, turn off the water supply to the refrigerator if you will be away from home for longer than a few days.

ACCESSORIES

The following accessories are available for your refrigerator. To order, contact us and ask for the Part Number.

In the U.S.A., visit our webpage www.whirlpool.com/accessories or call 1-800-901-2042.

In Canada, call 1-800-807-6777.

Automatic Ice Maker (optional):

Order Part #W11401491

ICE CUBE BIN:

Order Part #W11261637

Affresh® Kitchen & Appliance Cleaner:

Order Part #W10355010

PROBLEM SOLVER

First try the solutions suggested here. If you need further assistance or more recommendations that may help you avoid a service call, refer to the warranty page in this manual and scan the code there with your mobile device, or visit www.whirlpool.com/product_help. In Canada, visit <http://www.whirlpool.ca>.

Contact us by mail with any questions or concerns at the address below:


In the U.S.A.:


Whirlpool Brand Home Appliances
Customer eXperience Center
553 Benson Road
Benton Harbor, MI 49022-2692


In Canada:


Whirlpool Brand Home Appliances
Customer eXperience Centre
200 – 6750 Century Ave.
Mississauga ON L5N 0B7

Please include a daytime phone number in your correspondence.

⚠ WARNING

Electrical Shock Hazard Plug into a grounded 3 prong outlet. Do not remove ground prong. Do not use an adapter. Do not use an extension cord. Failure to follow these instructions can result in death, fire, or electrical shock.

⚠ WARNING

Explosion Hazard Use nonflammable cleaner. Failure to do so can result in death, explosion, or fire.

⚠ DANGER

Explosion Hazard Risk of fire or explosion. Flammable refrigerant used. Do not use mechanical devices to defrost refrigerator. Do not puncture refrigerant tubing.

⚠ DANGER

Explosion Hazard Risk of fire or explosion due to puncture of refrigerant tubing. Follow handling instructions carefully. Flammable refrigerant used.

If you experience	Possible Causes and/or Recommended Solutions
The refrigerator will not operate	<ul style="list-style-type: none"> ■ Not connected to an electrical supply - Plug the power cord into a grounded 3-prong outlet. Do not use an extension cord. ■ No power to the electrical outlet - Plug in a lamp to see if the outlet is working. ■ Household fuse blown or circuit breaker tripped - Replace the fuse or reset the circuit breaker. If the problem continues, contact an electrician. ■ Control is not turned on - Turn on the refrigerator control. See "Using the Controls." ■ New Installation - Allow 24 hours following installation for the refrigerator to cool completely. <p>NOTE: Adjusting the temperature controls to coldest setting will not cool the refrigerator more quickly.</p>
The motor seems to run too much	Your new refrigerator may run longer than your old one. Energy efficient refrigerators run longer at lower, more energy efficient speeds. Your refrigerator may run even longer if the room is warm, a large food load is added, the door is opened often, or if the door has been left open.
The refrigerator is noisy	<p>Refrigerator noise has been reduced over the years. Due to this reduction in operating noise, you may notice unfamiliar noises that are normal. Following are some normal sounds with an explanation:</p> <ul style="list-style-type: none"> ■ Buzzing - heard when the water valve opens to fill the ice maker ■ Clicking/Snapping - valves opening or closing ■ Pulsating - fans/compressor adjusting to optimize performance ■ Rattling - flow of refrigerant, water line, or from items placed on top of the refrigerator ■ Sizzling/Gurgling - water dripping on the heater during defrost cycle ■ Popping - contraction/expansion of inside walls, especially during initial cool-down ■ Water running - may be heard when ice melts during the defrost cycle and water runs into the drain pan ■ Creaking/Cracking - occurs as ice is being ejected from the ice maker mold.
The door will not close completely	<ul style="list-style-type: none"> ■ The door is blocked open - Move food packages away from door. Push bin or shelf back in the correct position. Make sure the crisper cover is fully pushed in, so that the back rests on the supports.
The door is difficult to open	<ul style="list-style-type: none"> ■ Gaskets are dirty or sticky - Clean gaskets and contact surfaces with mild soap and warm water. Rinse and dry with soft cloth.
Temperature is too warm	<ul style="list-style-type: none"> ■ New Installation - Allow 24 hours following installation for the refrigerator to cool completely. ■ Door(s) opened often or not closed completely - Allows warm air to enter refrigerator. Minimize door openings and keep doors fully closed. ■ A large amount of warm food has been recently added - Allow several hours for refrigerator to return to normal temperature. ■ Check that the Temperature Control(s) are set correctly for the surrounding conditions - Adjust the controls to one setting colder. Check temperature in 24 hours. See "Using the Controls."
There is interior moisture buildup NOTE: Some moisture buildup is normal.	<ul style="list-style-type: none"> ■ Humid room - Contributes to moisture buildup in the refrigerator. ■ Door(s) opened often or not closed completely - Allows humid air to enter the refrigerator. Minimize door openings and keep door fully closed.
The ice maker is not producing ice or not enough ice	<ul style="list-style-type: none"> ■ The ice maker is not connected to a water supply - Connect refrigerator to water supply and turn water shutoff valve fully open. ■ A kink in the line can reduce water flow - Straighten the water source line. ■ Ice maker is not turned on - Make sure the ice maker wire shutoff arm or switch (depending on model) is in the ON position. ■ New installation - Wait 24 hours after ice maker installation for ice production to begin. Wait 3 days for full ice production. ■ Large amount of ice recently removed - Allow sufficient time or ice maker to produce more ice. ■ Ice cube jammed in the ice maker ejector arm - Remove ice from the ejector arm with a plastic utensil. ■ A reverse osmosis water filtration system connected to our cold water supply can decrease water pressure - See "Water Supply Requirements."
The ice cubes are hollow or small NOTE: This is an indication of low water pressure.	<ul style="list-style-type: none"> ■ The water valve is not completely open - Completely open the water shutoff valve. ■ A kink in the line can reduce water flow - Straighten the water source line. ■ A reverse osmosis water filtration system connected to our cold water supply can decrease water pressure - See "Water Supply Requirements." ■ If questions regarding water pressure remain, call a licensed, qualified plumber.
Off-taste, odor or gray color in the ice	<ul style="list-style-type: none"> ■ New plumbing connections can cause discolored or off-flavored ice - Discard the ice and wash the ice storage bin. Allow 24 hours for the ice maker to make new ice, and discard the first 3 batches of ice produced ■ Ice stored too long can develop an off-taste - Discard ice. Wash ice bin. Allow 24 hours for ice maker to make new ice. ■ Food odor transferring to ice - Use airtight, moisture proof packaging to store food. ■ There are minerals (such as sulfur) in the water - A water filter may need to be installed to remove the minerals.

En savoir plus

Afin de conserver les ressources naturelles, ce réfrigérateur comprend un guide d'utilisation rapide. L'utilisateur trouvera un manuel d'instructions complet téléchargeable au www.whirlpool.com/manuals. Le numéro de modèle se trouve sur la paroi interne du compartiment de réfrigération.

Aux États-Unis :

Pour l'assistance ou le service, composez le **1 800 253-1301**.

Enregistrer votre réfrigérateur au www.whirlpool.com.

Au Canada :

Pour l'assistance ou le service, composez le **1 800 807-6777**.

Enregistrer votre réfrigérateur au www.whirlpool.com.

Para una versión de estas instrucciones en español, visite www.whirlpool.com.

Votre sécurité et celle des autres est très importante.

Nous donnons de nombreux messages de sécurité importants dans ce manuel et sur votre appareil ménager. Assurez-vous de toujours lire tous les messages de sécurité et de vous y conformer.



Voici le symbole d'alerte de sécurité.

Ce symbole d'alerte de sécurité vous signale les dangers potentiels de décès et de blessures graves à vous et à d'autres.

Tous les messages de sécurité suivront le symbole d'alerte de sécurité et le mot "DANGER" ou "AVERTISSEMENT". Ces mots signifient :

! DANGER

Risque possible de décès ou de blessure grave si vous ne suivez pas immédiatement les instructions.

! AVERTISSEMENT

Risque possible de décès ou de blessure grave si vous ne suivez pas les instructions.

Tous les messages de sécurité vous diront quel est le danger potentiel et vous disent comment réduire le risque de blessure et ce qui peut se produire en cas de non-respect des instructions.

IMPORTANTES INSTRUCTIONS DE SÉCURITÉ

AVERTISSEMENT : Afin de réduire le risque d'incendie, de décharge électrique ou de blessures corporelles lors de l'utilisation du réfrigérateur, il convient d'observer certaines précautions fondamentales, notamment :

- Brancher l'appareil sur une prise à 3 alvéoles reliée à la terre.
- Ne pas enlever la broche de liaison à la terre.
- Ne pas utiliser d'adaptateur.
- Ne pas utiliser de rallonge.
- Déconnecter la source de courant électrique avant l'entretien.
- Replacer pièces et panneaux avant de faire la mise en marche.
- Enlever les portes de votre ancien réfrigérateur.
- Raccorder à la canalisation d'arrivée d'eau potable uniquement.
- Utiliser un verre robuste pour prendre des glaçons (sur certains modèles).
- Garder les matières et les vapeurs inflammables, telles que l'essence, bien à l'écart du réfrigérateur.
- Garder les événements à l'intérieur de l'enceinte de l'appareil ou de la structure encastrée exempte d'obstacles.
- Ne pas utiliser des appareils mécaniques ou autres moyens pour accélérer le processus de dégivrage, autre que ceux recommandés par le fabricant.
- Au moins deux personnes sont requises pour déplacer et installer le réfrigérateur.
- Débrancher la source de courant électrique avant d'installer la machine à glaçons (sur les modèles avec machine à glaçons prête-à-installer uniquement).
- Utiliser un verre robuste pour prendre des glaçons (sur certains modèles).
- Ne pas heurter les portes en verre du réfrigérateur (sur certains modèles).
- Utiliser un produit de nettoyage ininflammable.
- Ne pas endommager le circuit réfrigérant.
- Ne pas utiliser des appareils électriques à l'intérieur des compartiments d'aliments de l'appareil, à moins qu'ils soient de type recommandé par le fabricant.
- Cet appareil ne convient pas à une utilisation par des personnes (y compris des enfants) à capacités physiques, sensorielles ou mentales réduites, ou possédant un manque d'expérience et de connaissances, à moins qu'elles ne soient placées sous supervision ou qu'elles aient reçu des instructions concernant l'utilisation de l'appareil par une personne responsable de leur sécurité.
- Les enfants doivent être surveillés afin de s'assurer qu'ils ne jouent pas avec l'appareil.
- Si le cordon d'alimentation est endommagé, il doit être remplacé par le fabricant, son agent de réparation ou toute autre personne qualifiée afin d'éviter tout danger.
- Ne pas entreposer de substances explosives comme des aérosols avec agent propulseur inflammable dans cet appareil.
- Cet appareil est destiné à un usage domestique et à d'autres usages similaires comme :
 - espace de cuisine pour personnel de boutiques, bureaux et autres environnements professionnels;
 - résidences fermières et utilisation par les clients d'hôtels, de motels et d'autres types de résidences;
 - environnements de type chambres d'hôtes;
 - Banquets et autres utilisations non commerciales semblables.

CONSERVER CES INSTRUCTIONS

Mise au rebut du vieux réfrigérateur

AVERTISSEMENT

Risque de suffoquer

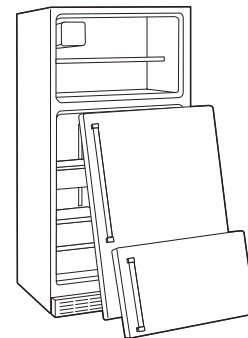
Enlever les portes ou le couvercle de votre vieux congélateur ou réfrigérateur.

Le non-respect de cette instruction peut causer un décès ou des lésions cérébrales.

IMPORTANT : Le risque qu'un enfant puisse se retrouver coincé et suffoquer n'est pas chose du passé. Les réfrigérateurs jetés ou abandonnés restent dangereux, même s'ils ne restent à l'extérieur que pour « quelques jours ». Si l'ancien réfrigérateur doit être mis au rebut, suivre les instructions suivantes afin d'éviter les accidents.

Avant de jeter l'ancien réfrigérateur ou congélateur :

- Enlever les portes.
- Laisser les tablettes en place de sorte que les enfants ne puissent pas y pénétrer facilement.



Renseignements importants à propos de la mise au rebut des fluides réfrigérants :

Mettre le réfrigérateur au rebut conformément à la réglementation fédérale et locale. Les fluides réfrigérants doivent être évacués par un technicien certifié et agréé par l'EPA conformément aux procédures établies.

INSTRUCTIONS D'INSTALLATION

Déballage du réfrigérateur

AVERTISSEMENT

Risque du poids excessif

Utiliser deux ou plus de personnes pour déplacer et installer le réfrigérateur.

Le non-respect de cette instruction peut causer une blessure au dos ou d'autre blessure.

1. Enlever tout résidu de ruban adhésif et de colle des surfaces avant de mettre en marche votre réfrigération. Frotter une petite quantité de savon liquide à vaisselle sur l'adhésif avec les doigts. Rincer à l'eau tiède et sécher avec un chiffon doux.

REMARQUE : Ne pas utiliser d'instruments coupants, d'alcool à friction, de liquides inflammables ou de nettoyeurs abrasifs pour enlever le ruban adhésif ou la colle. Ces produits peuvent endommager la surface du réfrigérateur. Pour plus de renseignements, voir la section « Sécurité du réfrigérateur ».

Déplacement de votre réfrigérateur :

Votre réfrigérateur est lourd. Lors du déplacement de votre réfrigérateur pour le nettoyage ou un entretien ou réparation, veiller à recouvrir le plancher avec du carton ou un panneau de fibres dures pour éviter qu'il ne subisse tout dommage. Toujours tirer le réfrigérateur tout droit lors de son déplacement. Ne pas incliner le réfrigérateur d'un côté ou de l'autre ni le "faire marcher" en essayant de le déplacer car le plancher pourrait être endommagé.

AVERTISSEMENT



Risque d'explosion

Utiliser un produit de nettoyage ininflammable.

Le non-respect de cette instruction peut causer un décès, une explosion ou un incendie.

Spécifications électriques

AVERTISSEMENT



Risque de choc électrique

Brancher sur une prise à 3 alvéoles reliée à la terre.

Ne pas enlever la broche de liaison à la terre.

Ne pas utiliser un adaptateur.

Ne pas utiliser un câble de rallonge.

Le non-respect de ces instructions peut causer un décès, un incendie ou un choc électrique.

Avant de placer le réfrigérateur à son emplacement final, il est important de s'assurer d'avoir le raccordement électrique approprié.

Si le cordon d'alimentation est endommagé, il doit être remplacé par le fabricant, son agent de service ou toute autre personne également qualifiée. Ne pas utiliser un cordon craquelé ou qui présente des dommages d'abrasion sur la gaine, la fiche ou le connecteur.

Méthode recommandée de liaison à la terre

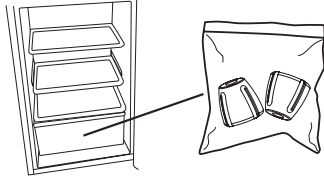
Un circuit de 115 V CA à 60 Hz relié à la terre et protégé par un fusible de 15 A ou 20 A est requis. Il est recommandé d'utiliser un circuit distinct pour alimenter le réfrigérateur uniquement. Utiliser une prise de courant dont l'alimentation ne peut pas être interrompue par un interrupteur. Ne pas utiliser de rallonge.

REMARQUE : Avant d'installer ou de nettoyer un quelconque élément, ou de remplacer une ampoule d'éclairage, désactiver le refroidissement ou placer la commande (du thermostat, réfrigérateur ou congélateur selon le modèle) à OFF (arrêt) et débrancher ensuite le réfrigérateur de la source d'alimentation électrique. Lorsque vous avez terminé, reconnecter le réfrigérateur à la source d'alimentation électrique et réactiver le refroidissement ou replacer la commande (du thermostat, réfrigérateur ou congélateur selon le modèle) au réglage désiré. Voir la section « Utilisation des commandes » dans les instructions d'utilisation, le guide d'utilisation ou le guide d'utilisation et d'entretien.

Installation des dispositifs de nivellement

IMPORTANT : Afin d'éviter d'endommager le réfrigérateur, le faire reposer **UNIQUEMENT** sur le côté gauche (lorsqu'on fait face à l'avant de l'appareil).

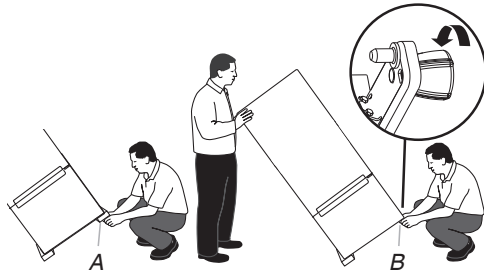
1. Repérer l'emplacement des dispositifs de nivellement. Ils se trouvent dans un sac en plastique situé dans le tiroir à légumes.



2. À l'aide d'au moins deux personnes, accéder à la partie inférieure de l'appareil en l'inclinant d'un côté puis de l'autre **OU** en le faisant reposer sur le sol sur son côté gauche, comme illustré.

- Incliner suffisamment le réfrigérateur sur le côté pour pouvoir accéder à sa partie inférieure. À l'aide d'un tourne-écrou de 3/8 po, retirer les deux vis fixant le profilé de bois au bas du réfrigérateur. Installer ensuite un dispositif de nivellement sur l'angle avant. Répéter l'opération de l'autre côté.

REMARQUE : On ne doit pas laisser la caisse du réfrigérateur toucher le plancher lorsqu'un dispositif de nivellement est installé.



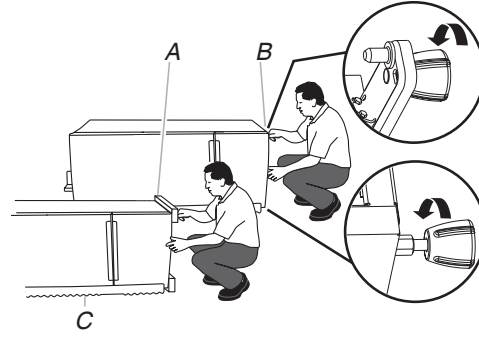
A. Ôter le dispositif de nivellement.
B. Installer le dispositif de nivellement.

OU

- En utilisant les cornières de l'emballage comme protection (cornières de gauche, avant et arrière), faire reposer le réfrigérateur sur le plancher (uniquement sur son côté gauche), comme indiqué à l'illustration suivante.

REMARQUE : Utiliser l'emballage comme protection permettra d'éviter d'éventuels dommages sur le réfrigérateur.

- À l'aide d'un tourne-écrou de 3/8 po, retirer les deux vis fixant chaque profilé de bois au bas du réfrigérateur. Installer un dispositif de nivellement sur chaque angle avant.



A. Ôter le dispositif de nivellement.
B. Installer le dispositif de nivellement.
C. Cornière d'emballage.

Nettoyage avant utilisation

Après avoir enlevé tous les matériaux d'emballage, nettoyer l'intérieur du réfrigérateur avant de l'utiliser. Voir les instructions de nettoyage dans la section « Entretien du réfrigérateur ».

Importants renseignements à savoir au sujet des tablettes et des couvercles en verre :

Ne pas nettoyer les tablettes ou couvercles en verre avec de l'eau tiède quand ils sont froids. Les tablettes et les couvercles peuvent se briser s'ils sont exposés à des changements soudains de température ou à un impact tel que coup brusque. Le verre trempé est conçu pour éclater en d'innombrables pièces minuscules. Ceci est normal. Les tablettes et les couvercles en verre sont lourds. Les saisir à deux mains lors de leur dépose afin d'éviter de les faire tomber.

⚠ AVERTISSEMENT



Risque d'explosion

Garder les matériaux et les vapeurs inflammables, telle que l'essence, loin du réfrigérateur.

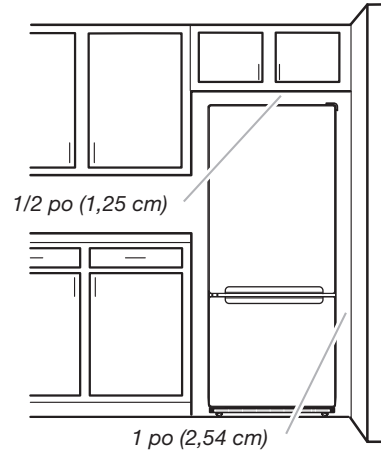
Le non-respect de cette instruction peut causer un décès, une explosion ou un incendie.

Exigences d'emplacement

IMPORTANT : Ce réfrigérateur est conçu pour un usage domestique, à l'intérieur uniquement.

Pour obtenir une aération appropriée pour votre réfrigérateur, il est recommandé de laisser un espace de 1/2 po (1,25 cm) de chaque côté. Laisser un espace de 1 1/2 po (3,81 cm) entre le dessus du réfrigérateur et le dessus des armoires. Laisser un espace d'au moins 1 po (2,54 cm) entre l'arrière de l'appareil et le mur (le condensateur représente l'arrière, s'il est présent). Si le réfrigérateur comporte une machine à glaçons, s'assurer de laisser un espace additionnel à l'arrière pour les raccordements du conduit d'eau. Si on installe le réfrigérateur près d'un mur fixe, laisser suffisamment d'espace du côté de la charnière pour permettre à la porte de s'ouvrir.

REMARQUE : Ce réfrigérateur est conçu pour être utilisé dans un endroit où la température est comprise entre un minimum de 55 °F (13 °C) et un maximum de 110 °F (43 °C). La plage de température ambiante idéale pour un rendement optimal est comprise entre 60 °F (15 °C) et 90 °F (32 °C). Respecter cette plage de température permet aussi de réduire la consommation d'électricité et d'optimiser l'efficacité du refroidissement. Il est recommandé de ne pas installer le réfrigérateur près d'une source de chaleur comme un four ou un radiateur.



Spécifications électriques

AVERTISSEMENT



Risque de choc électrique

Brancher sur une prise à 3 alvéoles reliée à la terre.

Ne pas enlever la broche de liaison à la terre.

Ne pas utiliser un adaptateur.

Ne pas utiliser un câble de rallonge.

Le non-respect de ces instructions peut causer un décès, un incendie ou un choc électrique.

Avant de placer le réfrigérateur à son emplacement final, il est important de s'assurer d'avoir le raccordement électrique approprié.

Méthode recommandée de liaison à la terre

Un circuit de 115 V CA à 60 Hz relié à la terre et protégé par un fusible de 15 A ou 20 A est requis. Il est recommandé d'utiliser un circuit distinct pour alimenter le réfrigérateur uniquement. Utiliser une prise de courant dont l'alimentation ne peut pas être interrompue par un interrupteur. Ne pas utiliser de rallonge.

REMARQUE : Avant d'installer ou de nettoyer un quelconque élément, ou de remplacer une ampoule d'éclairage, désactiver le refroidissement ou placer la commande (du thermostat, réfrigérateur ou congélateur selon le modèle) à OFF (arrêt) et débrancher ensuite le réfrigérateur de la source d'alimentation électrique. Lorsque vous avez terminé, reconnecter le réfrigérateur à la source d'alimentation électrique et réactiver le refroidissement ou replacer la commande (du thermostat, réfrigérateur ou congélateur selon le modèle) au réglage désiré. Voir la section « Utilisation des commandes » dans les instructions d'utilisation, le guide d'utilisation ou le guide d'utilisation et d'entretien.

Spécifications de l'alimentation en eau

Lire toutes les instructions avant de commencer.

IMPORTANT :

- Brancher sur une alimentation en eau potable uniquement.

Ne pas utiliser pour le filtrage d'une eau microbiologiquement polluée ou de qualité inconnue en l'absence d'un dispositif de désinfection adéquat avant ou après le système. Les systèmes certifiés pour la réduction de kyste peuvent être utilisés pour l'eau désinfectée qui peut contenir des kystes filtrables.

- Si on doit mettre en marche le réfrigérateur avant que la canalisation d'eau ne soit connectée, placer la machine à glaçons à Off (arrêt).
- Toutes les installations doivent être conformes aux exigences des codes locaux de plomberie.
- Utiliser un tuyau en cuivre et vérifier qu'il n'y a pas de fuite. Installer seulement des tuyaux en cuivre là où les températures resteront au-dessus du point de congélation.

OUTILS REQUIS : Tournevis à lame plate, clés plates de 7/16 po et 1/2 po ou deux clés à molette, tourne-écrou de 1/4 po et foret, une perceuse sans fil. Rassembler les outils et pièces nécessaires avant d'entreprendre l'installation. Lire et observer les instructions d'installation fournies avec chaque outil mentionné dans la liste.

REMARQUE : Votre marchand de réfrigérateurs propose une trousse avec un robinet d'arrêt à étrier de 1/4 po (6,35 mm), un raccord et un tube en cuivre. Avant d'en faire l'achat, s'assurer que le robinet d'arrêt à étrier est conforme aux codes locaux de plomberie. Ne pas employer de robinet d'arrêt à étrier de 3/16 po (4,76 mm) ou de type à percer – ils réduisent le débit d'eau et s'obstruent plus facilement.

Pression d'eau

Une alimentation en eau froide avec une pression entre 30 lb/po² et 120 lb/po² (207 kPa à 827 kPa) est nécessaire pour faire fonctionner la machine à glaçons. Pour toute question au sujet de la pression de l'eau, faire appel à un plombier qualifié agréé.

Alimentation en eau par osmose inverse

Si un système de filtration de l'eau par osmose inverse est raccordé à votre alimentation en eau froide, la pression de l'eau au système doit être d'un minimum de 40 lb/po² à 60 lb/po² (276 kPa à 414 kPa).

Si la pression de l'eau au système d'osmose inverse est inférieure à une valeur entre 40 lb/po² à 60 lb/po² (276 kPa à 414 kPa), une pompe de surpression peut être insérée sur le petit tuyau qui va de la canalisation d'eau froide à l'entrée du système d'osmose inverse.

Si la machine à glaçons ne fonctionne toujours pas correctement :

- Vérifier que le filtre à sédiment dans le système à osmose inverse n'est pas obstrué. Remplacer le filtre si nécessaire.
- Laisser le réservoir du système d'osmose inverse se remplir après une utilisation intense.

Pour toute question au sujet de la pression de l'eau, faire appel à un plombier qualifié agréé.

Raccordement à la canalisation d'eau (sur certains modèles)

Lire toutes les instructions avant de commencer.

IMPORTANT : Si l'on met en marche le réfrigérateur avant que la canalisation d'eau ne soit raccordée, éteindre la machine à glaçons pour éviter tout bruit excessif ou éviter d'endommager le robinet d'eau.

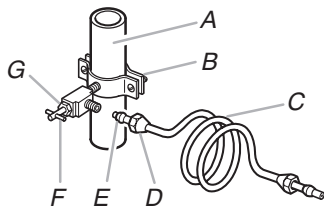
Raccordement à la canalisation d'eau

1. Débrancher le réfrigérateur ou déconnecter la source de courant électrique.
2. Couper l'alimentation principale en eau. Ouvrir le robinet le plus proche assez longtemps pour vider l'eau du tuyau.
3. Identifier une canalisation d'eau froide verticale de 1/2 po à 1 1/4 po (1,27 cm à 3,18 cm) à proximité du réfrigérateur.

IMPORTANT :

- Vérifier qu'il s'agit d'une canalisation d'eau froide.

- On peut aussi utiliser une canalisation horizontale. Percer par le dessus de la canalisation et non pas par le dessous. Ceci permet de tenir la perceuse à l'écart de l'eau et d'empêcher les sédiments qu'on trouve normalement dans l'eau de s'accumuler dans le robinet d'arrêt.
4. Déterminer la longueur de tube de cuivre à utiliser. Mesurer depuis le point de connexion (angle inférieur arrière gauche du réfrigérateur) et la canalisation d'eau. Ajouter 7 pi (2,1 m) pour permettre les opérations de nettoyage. Utiliser un tube en cuivre de 1/4 po (6,35 mm) de diamètre extérieur. Veiller à ce que le tube soit coupé d'équerre aux deux extrémités.
 5. À l'aide d'une perceuse sans fil, percer un trou de 1/4 po (6,35 mm) dans la canalisation d'eau froide sélectionnée.



A. Canalisation d'eau froide
B. Bride de tuyau
C. Tube de cuivre
D. Écrou de compression
E. Bague de compression
F. Robinet d'arrêt
G. Écrou de garniture

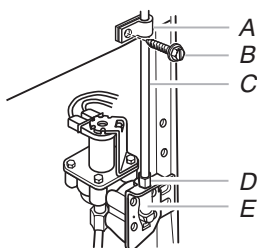
6. Fixer le robinet d'arrêt sur la canalisation d'eau froide avec la bride de tuyau. Veiller à bien insérer l'extrémité de sortie dans le trou de 1/4 po (6,35 mm) de la canalisation d'eau; veiller à placer correctement le joint sous la bride du tuyau. Serrer l'écrou de serrage. Serrer lentement et uniformément les vis fixant la bride de tuyau sur le tuyau afin d'assurer l'étanchéité du joint. Ne pas serrer excessivement.
7. Enfiler la bague et l'écrou de compression sur le tube en cuivre comme illustré. Insérer l'extrémité du tube directement dans l'extrémité de sortie, aussi loin que possible. Visser l'écrou de compression sur l'extrémité de sortie du raccord à l'aide d'une clé à molette. Ne pas serrer excessivement.
8. Placer le bout libre du tube de cuivre dans un contenant ou évier et ouvrir le robinet principal d'alimentation en eau. Laisser l'eau s'écouler par le tube jusqu'à ce qu'elle soit limpide. Fermer le robinet d'arrêt de la canalisation d'eau. Lover le tube de cuivre.

Raccordement au réfrigérateur

REMARQUE : Pour les modèles en kit, installer la valve d'entrée d'eau sur le réfrigérateur conformément aux instructions du kit.

Style 1

1. Débrancher le réfrigérateur ou déconnecter la source de courant électrique.
2. Raccorder le tube de cuivre au robinet d'arrivée d'eau à l'aide d'un écrou et d'une bague de compression, comme illustré. Serrer l'écrou de compression. Ne pas serrer excessivement.
3. Utiliser la bride du tube à l'arrière du réfrigérateur pour fixer le tube au réfrigérateur comme illustré. Ceci aide à éviter d'endommager le tube lorsque le réfrigérateur est poussé contre le mur.
4. Ouvrir le robinet d'arrêt.
5. Vérifier qu'il n'y a pas de fuites. Serrer tous les raccords (y compris les raccords du robinet) ou les écrous qui présentent des fuites.

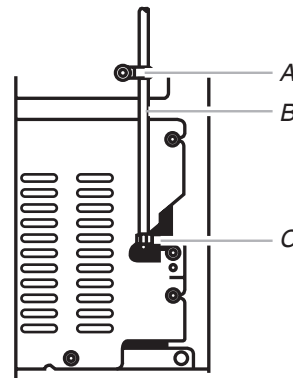


A. Bride du tube
B. Vis de bride de tube
C. Tube de cuivre
D. Écrou de compression
E. Robinet d'arrivée d'eau

6. La machine à glaçons comporte un filtre à eau incorporé. Si les caractéristiques de l'eau requièrent un second filtre à eau, installer celui-ci dans la canalisation d'eau de 1/4 po (6,35 mm) à l'une ou l'autre des extrémités de la canalisation. Se procurer un filtre à eau auprès de votre revendeur d'appareils ménagers le plus proche.

Style 2

1. Débrancher le réfrigérateur ou déconnecter la source de courant électrique.
2. Déconnecter la bride du tube à l'arrière du produit et introduire le tube en cuivre dans la bride, comme indiqué.
3. Raccorder le tube de cuivre au robinet d'arrivée d'eau à l'aide d'un écrou et d'une bague de compression, comme illustré.
4. Serrer l'écrou de compression. Ne pas serrer excessivement. Rattacher la bride du tube et le tube à l'arrière de l'appareil.



A. Bride du tube
B. Tube de cuivre
C. Écrou à compression

5. Ouvrir le robinet d'arrêt. Vérifier qu'il n'y a pas de fuites. Serrer tous les raccords (y compris les raccords du robinet) ou les écrous qui présentent des fuites.
6. La machine à glaçons comporte un filtre à eau incorporé. Si les caractéristiques de l'eau requièrent un second filtre à eau, installer celui-ci dans la canalisation d'eau de 1/4 po (6,35 mm) à l'une ou l'autre des extrémités de la canalisation. Se procurer un filtre à eau auprès de votre revendeur d'appareils ménagers le plus proche.

Terminer l'installation

⚠ AVERTISSEMENT



Risque de choc électrique

Brancher sur une prise à 3 alvéoles reliée à la terre.

Ne pas enlever la broche de liaison à la terre.

Ne pas utiliser un adaptateur.

Ne pas utiliser un câble de rallonge.

Le non-respect de ces instructions peut causer un décès, un incendie ou un choc électrique.

1. Brancher l'appareil sur une prise à 3 alvéoles reliée à la terre.

REMARQUE : Prévoir un délai de 24 heures pour la production du premier lot de glaçons. Jeter les trois premiers lots de glaçons produits. Prévoir un délai de 3 jours pour le remplissage complet du récipient à glaçons.

Portes du réfrigérateur

OUTILS REQUIS : Clé à douille à tête hexagonale de 5/16 po, tournevis cruciforme no 2, tournevis à lame plate, clé plate de 5/16 po et couteau à mastic de 2 po.

IMPORTANT :

AVERTISSEMENT



Risque de décharge électrique

Débrancher l'appareil avant d'enlever les portes.

Le non-respect de ces instructions peut causer un décès ou une décharge électrique.

- Avant de commencer, désactiver la commande du réfrigérateur. Débrancher le réfrigérateur ou déconnecter la source de courant électrique.
- Retirer les aliments et les balconnets des portes du réfrigérateur.
- Si l'utilisateur souhaite uniquement enlever et réinstaller les portes, voir les sections « Démontage des portes et des charnières » et « Réinstallation des portes et des charnières ».

AVERTISSEMENT

Risque du poids excessif

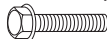
Utiliser deux ou plus de personnes pour soulever la porte du réfrigérateur.

Le non-respect de cette instruction peut causer une blessure au dos ou d'autre blessure.

Démontage des portes et charnières

1. Débrancher le réfrigérateur ou déconnecter la source de courant électrique.
2. Fermer la porte du réfrigérateur; maintenir les deux portes fermées jusqu'au moment où on est prêt à les séparer de la caisse de l'appareil.

REMARQUE : Installer un support entre la porte du réfrigérateur et celle du congélateur pendant le déplacement des charnières. La force d'attraction des aimants des portes ne suffit pas à les maintenir en place.



A. Vis de charnière à tête hexagonale de 5/16 po

3. Enlever les pièces de la charnière supérieure – voir l'illustration de la charnière supérieure. Soulever la porte du congélateur pour la séparer de la caisse.
4. Enlever les pièces de la charnière centrale – voir l'illustration de la charnière centrale.
REMARQUE : Installer un support entre la porte du réfrigérateur et le plancher pendant le déplacement des charnières. La force d'attraction des aimants de porte ne suffit pas à la maintenir en place.
5. Soulever la porte du réfrigérateur pour la séparer de la caisse.
6. Retirer les quatre vis (deux en bas et deux à l'avant) fixant la charnière inférieure à la caisse. Voir l'illustration de la charnière inférieure.

Inversion des portes (facultatif)

IMPORTANT : Si on souhaite inverser la position des portes pour pouvoir les ouvrir dans la direction opposée, procéder comme suit. Si vous ne souhaitez pas inverser le sens d'ouverture des portes, voir la section « Réinstallation des portes et des charnières ». Les illustrations sont indiquées à la suite de ces instructions.



Bouchon obturateur du trou de la charnière de la porte

Caisse

1. Enlever les bouchons de charnière au sommet de la caisse et les transférer du côté opposé dans les trous d'où l'on a précédemment retiré les vis de charnière. Voir l'illustration 1-2.
2. Retirer les vis installées dans les trous destinés à la charnière centrale et les installer du côté opposé.
3. Retirer le dispositif de nivellement du dessous du réfrigérateur et l'installer de l'autre côté.
4. Démontez les pièces installées sur la charnière supérieure, centrale et inférieure et les fixer sur le côté opposé.

Portes

1. Enlever le bouchon d'obturation du trou de charnière au sommet du compartiment de congélation. Le transférer du côté opposé comme illustré. Voir l'illustration 2.
2. Enlever la butée de porte au bas de la porte du congélateur et du réfrigérateur et l'installer du côté opposé. Voir les illustrations 3 et 4.

Réinstallation des portes et charnières

REMARQUES :

- Les illustrations de retrait et réinstallation de la porte et d'inversion du sens d'ouverture de la porte peuvent être inversées si le sens d'ouverture de la porte est inversé.
- Installer un support supplémentaire pour les portes pendant la réinstallation des charnières. La force d'attraction des aimants des portes ne suffit pas à les maintenir en place.
 1. Replacer les pièces de la charnière inférieure comme illustré. Serrer les vis. Replacer la porte du réfrigérateur.
 2. Assembler les pièces de la charnière centrale comme illustré et serrer les vis. Voir l'illustration de la charnière centrale. Réinstaller la porte du congélateur.
 3. Réunir les pièces de la charnière supérieure comme illustré. Voir l'illustration de la charnière supérieure. Ne pas complètement serrer les vis.
 4. Aligner les portes de façon à ce que le bas de la porte du congélateur soit parfaitement aligné avec le sommet de la porte du réfrigérateur. Serrer toutes les vis.

Étapes finales

1. Inspecter tous les trous. Vérifier que tous les bouchons et vis sont en place.

AVERTISSEMENT



Risque de choc électrique

Brancher sur une prise à 3 alvéoles reliée à la terre.

Ne pas enlever la broche de liaison à la terre.

Ne pas utiliser un adaptateur.

Ne pas utiliser un câble de rallonge.

Le non-respect de ces instructions peut causer un décès, un incendie ou un choc électrique.

2. Brancher l'appareil sur une prise à 3 alvéoles reliée à la terre.
3. Réinitialiser les commandes. Voir la section « Utilisation des commandes » des instructions d'utilisation, du guide d'utilisation ou du guide d'utilisation et d'entretien.
4. Réinstaller l'ensemble des pièces amovibles dans les portes et les aliments dans le réfrigérateur.



⚠ AVERTISSEMENT

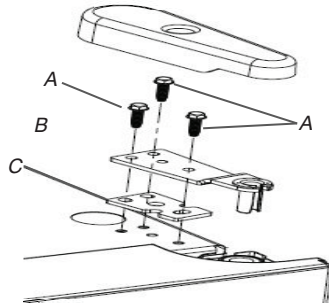
Risque de choc électrique

Déconnecter la source de courant électrique avant d'enlever les portes.

Le non-respect de cette instruction peut causer un décès ou un choc électrique.

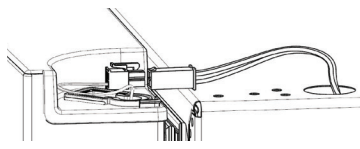
RETRAIT ET RÉINSTALLATION DES PORTES

Charnière supérieure

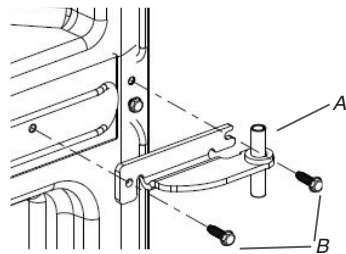


- A. Vis de charnière à tête hexagonale de 5/16 po
- B. Charnière supérieure
- C. Cale Dans la situation où le réfrigérateur est muni de commandes électroniques dans la porte, débrancher les câbles et les brancher sur l'autre côté

Fiche de câblage

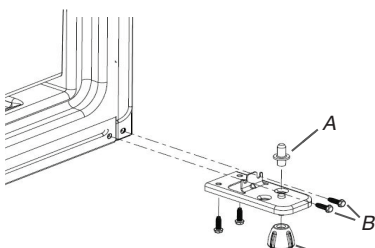


Charnière centrale



- A. Charnière centrale
- B. Vis de charnière à tête hexagonale de 5/16 po

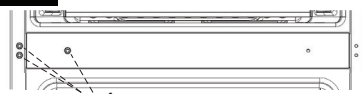
Charnière inférieure



- A. Charnière inférieure
- B. Vis de charnière à tête hexagonale de 5/16 po
- C. Pied de nivellement

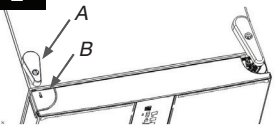
INVERSION DU SENS D'OUVERTURE DE LA PORTE (FACULTATIF)

1-1



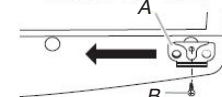
A. Rondelles et vis de charnière à tête hexagonale de 5/16 po

1-2



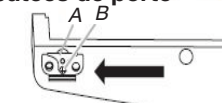
A. Couvre-charnière de caisse
B. Couvre-charnière de porte

3 Retrait des butées de porte



A. Butée de porte
B. Vis de butée de porte

4 Réinstallation des butées de porte



A. Butée de porte
B. Vis de butée de porte

⚠ AVERTISSEMENT

Risque du poids excessif

Utiliser deux ou plus de personnes pour déplacer et installer le réfrigérateur.

Le non-respect de cette instruction peut causer une blessure au dos ou d'autre blessure.

Le réfrigérateur comporte deux dispositifs de nivellement réglables qui se trouvent de chaque côté de la base du réfrigérateur. Si le réfrigérateur semble instable ou si l'on désire que les portes se ferment plus facilement, régler les dispositifs de nivellement et ajuster l'inclinaison du réfrigérateur.

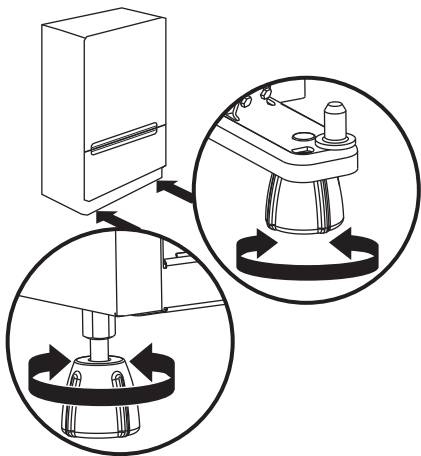
1. Tourner le dispositif de nivellement vers la gauche pour soulever ce côté du réfrigérateur ou vers la droite pour abaisser ce côté. Plusieurs tours peuvent être nécessaires pour mettre le réfrigérateur de niveau.

REMARQUE : Si une autre personne pousse le haut du réfrigérateur, le poids devient moins lourd sur les dispositifs de nivellement. Ceci facilite le réglage des dispositifs de nivellement.

2. Une fois le réfrigérateur d'aplomb latéralement, redresser les dispositifs de nivellement avant de sorte que l'arrière du réfrigérateur soit légèrement incliné vers le bas (d'environ 1/2 po). Les portes fermeront plus facilement et la porte du congélateur restera fermée chaque fois que l'on fermera la porte du réfrigérateur.
3. Ouvrir à nouveau les deux portes et vérifier que leur fermeture est aussi aisée que vous le souhaitez. Si ce n'est pas le cas, incliner le réfrigérateur un peu plus vers l'arrière en tournant les deux dispositifs de nivellement vers la droite. Cela peut nécessiter plusieurs tours supplémentaires.

REMARQUE : Pour que le réfrigérateur reste d'aplomb, effectuer le même réglage sur l'autre côté.

4. À l'aide d'un niveau, s'assurer que le réfrigérateur est encore d'aplomb dans le sens transversal. Le réajuster au besoin.



Sons normaux

Il est possible que le réfrigérateur neuf émette des sons que l'appareil précédent ne produisait pas. Comme ces sons sont nouveaux, ils peuvent vous inquiéter. La plupart de ces nouveaux sons sont normaux. Les sons peuvent vous sembler plus forts avec des surfaces dures comme le sol, les murs et les armoires. Les descriptions suivantes indiquent le genre de sons et leur cause possible.

- Si votre réfrigérateur est muni d'une machine à glaçons, vous entendrez un bourdonnement lorsque la valve d'eau s'ouvre pour remplir la machine à glaçons pour chaque programme.

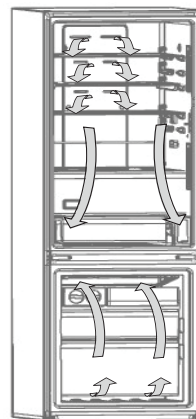
- Votre réfrigérateur est conçu pour fonctionner plus efficacement afin de conserver les aliments aux températures désirées et pour réduire la consommation d'énergie. Le compresseur et les ventilateurs très efficaces peuvent faire fonctionner votre réfrigérateur plus longtemps que l'ancien. Il se peut également que vous entendiez un bruit saccadé ou aigu provenant du compresseur ou des ventilateurs qui s'ajustent pour optimiser la performance.
- Votre réfrigérateur est conçu pour fonctionner plus efficacement afin de garder les aliments à la température désirée. La vitesse du ventilateur peut augmenter si les portes sont ouvertes ou si des aliments chauds sont ajoutés.
- Des vibrations sonores peuvent provenir de l'écoulement du réfrigérant, de la canalisation d'eau ou d'articles placés sur le réfrigérateur.
- De l'eau qui goutte sur le chauffage de décongélation lors d'un programme de décongélation peut entraîner un bruit de grésillement.
- À la fin de chaque programme, vous pouvez entendre un gargouillement attribuable au réfrigérant qui se trouve dans votre réfrigérateur.
- La contraction et l'expansion des parois internes peuvent produire un bruit sec.
- Vous pouvez entendre de l'air qui est transmis au condenseur par le ventilateur du condenseur.
- Vous pouvez entendre l'écoulement de l'eau dans le plat de récupération d'eau de dégivrage pendant le programme de dégivrage.

UTILISATION DU RÉFRIGÉRATEUR

Pour assurer une circulation d'air correcte

Pour s'assurer d'avoir des températures appropriées, il faut permettre à l'air de circuler entre les deux sections du réfrigérateur et du congélateur. Comme l'indique l'illustration, l'air froid pénètre à la base de la section du congélateur et se déplace vers le haut. La plus grande partie de l'air circule ensuite à travers la section du congélateur et recircule sur le plancher du congélateur. Le reste de l'air pénètre dans la section du réfrigérateur en passant par l'ouverture d'aération supérieure.

REMARQUE : Selon le modèle, le réfrigérateur peut être doté d'un système de circulation d'air normale ou multiflux (Multiflow).



N'obstruer aucune de ces ouvertures d'aération avec des emballages d'aliments. Si les ouvertures d'aération sont bloquées, le flux d'air sera réduit et des problèmes de température et d'humidité peuvent survenir.

IMPORTANT : Comme l'air circule entre les deux sections, toutes les odeurs formées dans une section seront transférées à l'autre. Les deux sections doivent être nettoyées avec soin pour éliminer les odeurs. Pour éviter le transfert d'odeurs et l'assèchement des aliments, envelopper ou recouvrir hermétiquement les aliments.

UTILISATION DU RÉFRIGÉRATEUR

Comment utiliser le réfrigérateur avec commandes électroniques (sur certains modèles)

Cet appareil est muni d'une commande de température électronique facile à utiliser et à la fine pointe de la technologie sur le panneau avant de la porte du réfrigérateur.



Réfrigérateur : La commande de température vous aidera à régler la température du réfrigérateur selon 5 options. La température affichée est une valeur moyenne en degrés Celsius du compartiment de réfrigération.

Least Cold	8°C	43°F
	↓	
	6°C	39°F
Recommended	4°C	36°F
	↓	
	2°C	32°F
Coldest	1°C	30°F

Réglage par défaut de la température du congélateur: Le tableau de gauche affiche les réglages de température qui peuvent être sélectionnés pour le congélateur. Pour choisir un réglage, appuyer sur le bouton Temperature (température) jusqu'à ce que la valeur soit affichée. Les options s'affichent cycliquement. (Les valeurs affichées ne sont que des exemples).

Congélateur : La commande de température vous aidera à régler la température du congélateur selon 5 options. La température affichée est une valeur moyenne en degrés Celsius du compartiment de congélation.

Least Cold	8°C	43°F
	↓	
	6°C	39°F
Recommended	4°C	36°F
	↓	
	2°C	32°F
Coldest	1°C	30°F

Réglage par défaut de la température du congélateur: Le tableau de gauche affiche les réglages de température qui peuvent être sélectionnés pour le congélateur. Pour choisir un réglage, appuyer sur le bouton Temperature (température) jusqu'à ce que la valeur soit affichée. Les options s'affichent cycliquement. (Les valeurs affichées ne sont que des exemples).

Passer entre les °C/°F : Le réfrigérateur affiche par défaut les valeurs de température en degrés centigrades (IC). Vous pouvez l'afficher en degrés Fahrenheit (IF) en appuyant sur les deux boutons de température pendant 3 secondes.

L'alarme de porte ouverte s'affiche lorsque la porte du réfrigérateur est laissée ouverte. Si la porte n'est pas fermée dans les 5 minutes, le système produit un avertissement sonore (lequel peut être désactivé en appuyant sur le bouton « Door Alarm » [alarme de porte]). L'alarme se désactive automatiquement une fois la porte fermée.

Eteindre / allumer: Vous pouvez éteindre votre appareil sans le déconnecter en appuyant sur le bouton Modes spéciaux pendant 3 secondes et le rallumer de la même manière.

Modes spéciaux

Shopping Le mode Full Load Quick Cooling (refroidissement rapide d'une charge complète) active un système de refroidissement rapide conçu pour refroidir efficacement lorsque des articles sont ajoutés dans le réfrigérateur. Il se désactive automatiquement après 6 heures.

Cleaning Le mode Active Cleaning (nettoyage actif) met le refroidissement temporairement sur pause pour permettre de nettoyer l'intérieur du réfrigérateur. Il se désactive automatiquement après 15 minutes.

Vacation Le mode Vacation (vacances) active un système de faible consommation d'énergie lorsqu'on ne prévoit pas utiliser l'appareil pendant plusieurs jours. Appuyer sur le bouton Special Modes (modes spéciaux) de nouveau pour désactiver ce mode.

Door Alarm Pour verrouiller les fonctions du panneau, appuyer sur le bouton Door Alarm (alarme de porte) pendant 3 secondes pour verrouiller toutes les fonctions et pour empêcher quelqu'un de modifier les réglages. Pour les déverrouiller, appuyer de nouveau pendant 3 secondes sur le même bouton.

Veille automatique

Hibernating Ce produit peut offrir un rendement optimal lorsque vous n'êtes pas à la maison. Pour se faire, utiliser la fonction Hibernating (veille) pour régler l'appareil au mode de consommation d'énergie optimal lorsque vous ne l'utilisez pas. Appuyer sur le bouton Cooling Modes (modes de refroidissement) pendant 3 secondes pour accéder à ce mode et améliorer le rendement de l'appareil pour la durée de votre choix. Pour quitter ce mode, appuyer de nouveau pendant 3 secondes sur le même bouton.

MODE DE REFROIDISSEMENT

Fast Cool Utiliser le mode Quick Cooling (refroidissement rapide) dans le congélateur pour produire rapidement des glaçons ou congeler des aliments et boissons pour une longue période. (sur certains modèles)

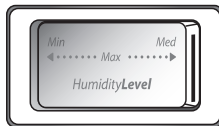
Fast Ice Le mode Full Load Quick Cooling (refroidissement rapide d'une charge complète) active un système de refroidissement rapide de tout le contenu et peut être utilisé pour les fêtes et réunions. Ce système de refroidissement rapide est offert en tout temps.

Fast Drink Le mode Quick Drink Cooling (refroidissement rapide de boissons) est un système qui permet de rapidement refroidir des boissons pour consommation immédiate (bouteille ou canette). Pour utiliser cette fonction, placer la boisson dans les tiroirs du congélateur. Une fois la période de refroidissement terminée, une alarme résonne pour indiquer que la boisson peut être retirée et consommée. Il se désactive automatiquement après 30 minutes.

Commande d'humidité dans le tiroir à légumes (sur certains modèles)

On peut contrôler le degré d'humidité dans le tiroir à légumes étanche. Sélectionner le niveau d'humidité souhaité, selon le produit entreposé.

Niveau d'humidité – Réglage Min.



En position MIN (ouvert), le réglage laisse échapper l'air humide du bac à légumes pour mieux conserver les fruits et légumes à pelures.

- Fruits : Laver, laisser sécher et garder au réfrigérateur dans un sac en plastique ou dans le tiroir à légumes. Ne pas laver ni équeuter les baies avant le moment de leur utilisation. Répartir et garder les baies dans leur contenant original dans le tiroir à légumes ou les conserver sur une tablette du réfrigérateur dans un sac en papier fermé sans être serré.
- Légumes à pelure : Placer dans un sac ou un contenant en plastique et ranger dans le tiroir à légumes.

Niveau d'humidité – Réglage Max.

En position MAX (élevée) (fermé), le réglage permet de retenir l'humidité à l'intérieur du bac pour mieux conserver les légumes à feuilles frais.

- Légumes à feuilles : Laver à l'eau froide, égoutter et couper ou éliminer les sections endommagées et décolorées. Placer dans un sac ou un contenant en plastique et ranger dans le tiroir à légumes.

GLAÇONS ET EAU

Machine à glaçons (sur certains modèles - Accessoire)

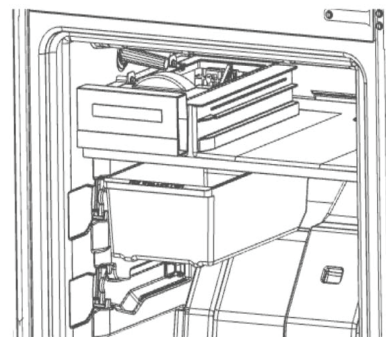
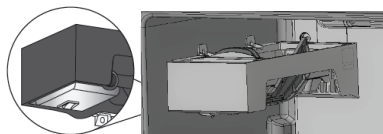
- Prévoir un délai de 24 heures pour la production du premier lot de glaçons. Jeter les trois premiers lots de glaçons produits.
- La qualité des glaçons dépend de la qualité de l'eau fournie à la machine à glaçons. Éviter de connecter la machine à glaçons à une alimentation en eau adoucie. Les produits chimiques adoucisseurs d'eau (comme le sel) peuvent endommager certaines pièces de la machine à glaçons et entraîner une mauvaise qualité de glaçons. Si l'alimentation en eau adoucie ne peut être évitée, s'assurer que l'adoucisseur d'eau fonctionne bien et qu'il est bien entretenu.
- Ne pas utiliser un objet pointu pour briser les glaçons dans le bac d'entreposage. Cette action peut endommager le récipient à glaçons et le mécanisme du distributeur.
- Ne pas garder quoi que ce soit sur le dessus ou dans la machine à glaçons ou dans le bac d'entreposage.

- Pour mettre en marche la machine à glaçons, ouvrir la porte de la machine à glaçons en la soulevant et déplacer le commutateur vers la position On (marche) (droite).
- Pour désactiver la machine à glaçons manuellement, ouvrir la porte de la machine à glaçons en la soulevant et déplacer le commutateur vers la position Off (arrêt) (gauche). Les glaçons peuvent encore être distribués, mais aucun autre glaçon ne peut être produit.

REMARQUE : La machine à glaçons comporte un système d'arrêt automatique pour éviter le surremplissage du bac d'entreposage pendant un fonctionnement normal. Au fur et à mesure de la production, les glaçons remplissent le bac d'entreposage. Les glaçons soulèvent le bras de commande métallique jusqu'à ce qu'il atteigne la position Off (arrêt) (haut). Lorsque le bac d'entreposage est plein, la machine à glaçons arrête automatiquement la production de glaçons, mais le commutateur On/Off (marche/arrêt) reste à la position On (marche).

Mise en marche/arrêt de la machine à glaçons

Le commutateur On/Off (marche/arrêt) se trouve dans la partie inférieure de la machine à glaçons; on peut y accéder en soulevant et ouvrant la porte de la machine à glaçons.



ENTRETIEN DU RÉFRIGÉRATEUR

Nettoyage



Les sections de réfrigération et de congélation se dégivrent automatiquement. Toutefois, nettoyer les deux compartiments environ une fois par mois afin d'éviter une accumulation d'odeurs. Essuyer les renversements immédiatement.

IMPORTANT : Comme l'air circule entre les deux sections, toutes les odeurs formées dans une section seront transférées à l'autre. Les deux sections doivent être nettoyées avec soin pour éliminer les odeurs. Pour éviter le transfert d'odeurs et l'assèchement des aliments, envelopper ou recouvrir hermétiquement les aliments.

Nettoyage du réfrigérateur :

REMARQUE : Ne pas utiliser de nettoyeurs puissants ou abrasifs tels que les nettoyeurs à vitre en atomiseurs, nettoyeurs à récurer, liquides inflammables, cires nettoyantes, détergents concentrés, agents de blanchiment ou nettoyeurs contenant du pétrole sur les pièces en plastique, les garnitures intérieures et garnitures de portes ou sur les joints de portes. Ne pas utiliser d'essuie-tout, de tampons à récurer ou d'autres outils de nettoyage abrasifs.

1. Débrancher le réfrigérateur ou déconnecter la source de courant électrique.
2. Laver à la main, rincer et sécher les pièces amovibles et les surfaces internes soigneusement. Utiliser une éponge propre ou un linge doux et un détergent doux dans de l'eau tiède.
3. Laver les surfaces extérieures métalliques peintes avec une éponge propre ou un linge doux et un détergent doux dans de l'eau tiède. Sécher soigneusement avec un chiffon doux.
4. Brancher le réfrigérateur ou reconnecter la source de courant électrique.

Vacances

Si vous avez installé une machine à glaçons et l'avez connectée à votre alimentation d'eau domestique, fermer l'alimentation en eau du réfrigérateur, si vous vous absentez de la maison pendant plus que quelques jours.

ACCESSOIRES

Les accessoires suivants sont offerts pour ce réfrigérateur.
Pour commander, nous contacter et demander les numéros de pièces.

Aux É.-U., consulter notre page Web au www.whirlpool.com/accessories ou composer le 1 800 901-2042.

Au Canada, composer le 1 800 807-6777.

Machine à glaçons automatique (facultative) :

Commander le numéro de pièce W11401491

BAC À GLAÇONS :

Commander le numéro de pièce W11261637

Nettoyant pour cuisine et appareils ménagers affresh® :

Commander le numéro de pièce W10355010

RÉSOLUTION DE PROBLÈMES

Essayer d'abord les solutions suggérées ici. Pour obtenir de l'aide ou des conseils qui permettront peut-être d'éviter une intervention de dépannage, consulter la page de garantie de ce manuel et scanner le code à barres 2D avec votre appareil mobile, ou visiter le site Internet www.whirlpool.com/product_help. Au Canada, visiter le site Internet <http://www.whirlpool.ca>.

Il est possible d'adresser ses commentaires ou questions par courrier à l'adresse suivante :

Aux États-Unis :

Whirlpool Brand Home Appliances
Customer eXperience Center
553 Benson Road
Benton Harbor, MI 49022-2692

Au Canada :

Whirlpool Brand Home Appliances
Customer eXperience Centre
200 – 6750 Century Ave.
Mississauga ON L5N 0B7

Veuillez indiquer dans votre correspondance un numéro de téléphone où l'on peut vous joindre dans la journée.

⚠ AVERTISSEMENT



Risque de choc électrique

Brancher sur une prise à 3 alvéoles reliée à la terre.
Ne pas enlever la broche de liaison à la terre.
Ne pas utiliser un adaptateur.
Ne pas utiliser un câble de rallonge.
Le non-respect de ces instructions peut causer un décès, un incendie ou un choc électrique.

⚠ AVERTISSEMENT



Risque d'explosion

Utiliser un produit de nettoyage ininflammable.
Le non-respect de cette instruction peut causer un décès, une explosion ou un incendie.

⚠ AVERTISSEMENT



Risque d'explosion

Garder les matériaux et les vapeurs inflammables, telle que l'essence, loin du réfrigérateur.
Le non-respect de cette instruction peut causer un décès, une explosion ou un incendie.

⚠ DANGER



Risque d'explosion

Risque d'incendie ou d'explosion en cas de perforation des conduits de réfrigérant.
Suivre les instruction de manipulation avec attention.
réfrigérant utilisé inflammable.

Si les problèmes suivants surviennent	Causes possibles et solutions recommandées
Le réfrigérateur ne fonctionne pas	<ul style="list-style-type: none"> ■ Non raccordé à l'alimentation électrique – Brancher le cordon d'alimentation dans une prise à 3 alvéoles reliée à la terre. Ne pas utiliser de rallonge. ■ Pas d'alimentation au niveau de la prise – Brancher une lampe pour voir si la prise électrique fonctionne. ■ Un fusible du domicile est grillé ou le disjoncteur s'est ouvert – Remplacer le fusible ou réenclencher le disjoncteur. Si le problème persiste, appeler un électricien. ■ La commande n'est pas allumée – Mettre en marche la commande du réfrigérateur. Voir la section « Utilisation des commandes ». ■ Nouvelle installation – Attendre 24 heures après l'installation pour permettre au réfrigérateur de refroidir complètement. <p>REMARQUE : Le fait de régler les commandes de température sur le réglage le plus froid ne refroidira pas le compartiment plus rapidement.</p>
Le moteur semble fonctionner excessivement	<p>Votre nouveau réfrigérateur fonctionnera peut-être plus longtemps que votre appareil précédent. Les réfrigérateurs éconergiques fonctionnent plus longtemps à des vitesses inférieures, plus éconergiques. Le réfrigérateur peut fonctionner encore plus longtemps si la température de la pièce est élevée, si une grande quantité de nourriture a été ajoutée, si la porte est fréquemment ouverte ou si elle est laissée ouverte.</p>
Le réfrigérateur est bruyant	<p>Le bruit émis par les réfrigérateurs a été réduit au cours des années. Les bruits de fonctionnement étant moins importants, il sera possible de remarquer des bruits inconnus qui sont en réalité normaux. Voici quelques sons normaux accompagnés d'une explication :</p> <ul style="list-style-type: none"> ■ Bourdonnement – Se fait entendre lorsque le robinet d'eau s'ouvre pour remplir la machine à glaçons ■ Cliquètement/crépitement – Ouverture ou fermeture des robinets ■ Pulsation – Les ventilateurs/le compresseur se règlent afin d'optimiser la performance ■ Cliquetis – Écoulement de liquide réfrigérant, mouvement des conduites d'eau ou d'objets posés sur le dessus du réfrigérateur ■ Grésillement/gargouillement – De l'eau tombe sur l'élément de chauffage durant le programme de dégivrage ■ Bruit d'éclatement – Contraction/expansion des parois internes, particulièrement lors du refroidissement initial ■ Bruit d'écoulement d'eau – Peut être entendu lorsque la glace fond lors du programme de dégivrage et que l'eau s'écoule dans le plateau de dégivrage ■ Grincement/craquement – Se produit lorsque la glace est éjectée du moule à glaçons.
La porte ne ferme pas complètement	<ul style="list-style-type: none"> ■ La porte est bloquée en position ouverte – Déplacer les aliments sous emballage pour dégager la porte. Replacer le compartiment ou la tablette en position correcte. Vérifier que le couvercle du bac à légumes est enfoncé complètement de sorte que l'arrière repose sur les supports.
La porte est difficile à ouvrir	<ul style="list-style-type: none"> ■ Les joints sont sales ou collants – Nettoyer les joints et les surfaces au savon doux et à l'eau tiède. Rincer et sécher avec un linge doux.
La température est trop élevée	<ul style="list-style-type: none"> ■ Nouvelle installation – Attendre 24 heures après l'installation pour permettre au réfrigérateur de refroidir complètement. ■ La/les porte(s) sont fréquemment ouvertes ou ne sont pas complètement fermées – Cela permet à l'air chaud de pénétrer dans le réfrigérateur. Réduire les ouvertures de porte et garder les portes complètement fermées. ■ Une grande quantité d'aliments chauds a été récemment ajoutée – Attendre quelques heures pour permettre au réfrigérateur de revenir à une température normale. ■ Vérifier que le réglage des/de la commande(s) de température est adapté à l'environnement de l'appareil – Régler les commandes à un réglage plus froid. Vérifier la température au bout de 24 heures. Voir la section « Utilisation des commandes ».
Il y a accumulation d'humidité à l'intérieur REMARQUE : Une certaine accumulation d'humidité est normale.	<ul style="list-style-type: none"> ■ Pièce humide – Ceci contribue à l'accumulation de l'humidité dans le réfrigérateur. ■ La/les porte(s) sont fréquemment ouvertes ou ne sont pas complètement fermées – Cela permet à l'air humide de pénétrer dans le réfrigérateur. Réduire les ouvertures de porte et garder la porte complètement fermée.
La machine à glaçons ne produit pas ou pas suffisamment de glaçons	<ul style="list-style-type: none"> ■ La machine à glaçons n'est pas raccordée à l'alimentation en eau – Raccorder le réfrigérateur à l'alimentation en eau et ouvrir complètement le robinet d'arrêt d'eau. ■ Une déformation de la canalisation peut réduire le débit d'eau – Redresser la canalisation d'eau. ■ La machine à glaçons est éteinte – S'assurer que le bras de commande de la machine à glaçons ou l'interrupteur (selon les modèles) sont bien à la position ON (marche). ■ Nouvelle installation – Attendre 24 heures après l'installation de la machine à glaçons pour que la production de glaçons commence. Attendre 3 jours pour que la production de glaçons soit complète. ■ Une grande quantité de glaçons a été récemment prélevée – Accorder suffisamment de temps à la machine à glaçons pour produire plus de glaçons. ■ Glaçon coincé dans le bras éjecteur – Enlever le glaçon du bras éjecteur avec un ustensile en plastique. ■ Un système de filtration de l'eau par osmose inverse est raccordé à votre alimentation en eau froide peut réduire la pression de l'eau – Voir la section « Spécifications de l'alimentation en eau ».
Les glaçons sont creux ou petits REMARQUE : Cela indique une faible pression d'eau.	<ul style="list-style-type: none"> ■ Le robinet d'eau n'est pas complètement ouvert – Ouvrir complètement le robinet d'arrêt d'eau. ■ Une déformation de la canalisation peut réduire le débit d'eau – Redresser la canalisation d'eau. ■ Un système de filtration de l'eau par osmose inverse est raccordé à votre alimentation en eau froide peut réduire la pression de l'eau – Voir la section « Spécifications de l'alimentation en eau ». ■ Pour d'autres questions concernant la pression de l'eau, contacter un plombier agréé qualifié.
Goût, odeur ou couleur grise des glaçons	<ul style="list-style-type: none"> ■ Des raccords de plomberie neufs peuvent entraîner une décoloration ou un mauvais goût des glaçons – Jeter les glaçons et laver le bac d'entreposage à glaçons. Attendre 24 heures pour que la machine à glaçons produise de nouveaux glaçons et jeter les 3 premiers lots de glaçons produits ■ Des glaçons entreposés depuis trop longtemps peuvent développer un mauvais goût – Jeter les glaçons. Laver le compartiment à glaçons. Attendre 24 heures pour la fabrication de nouveaux glaçons. ■ L'odeur de certains aliments s'est transférée aux glaçons – Utiliser des emballages hermétiques et à l'épreuve de l'humidité pour conserver les aliments. ■ L'eau contient des minéraux (comme le soufre) – L'installation d'un filtre à eau peut être requise afin d'enlever ces minéraux.

W11331644A

®/™ ©2019 All rights reserved.
Tous droits réservés.

11/19
Printed in Mexico
Imprimé au Mexique

03-Dec-2019 18:58:20 EST | RELEASED

In some European factories the letter "W" of the part code mentioned herein will be automatically replaced by the number "4000" (e.g. "W12345678" becomes "400012345678")