

CHEST FREEZER OWNER'S MANUAL

MANUEL D'UTILISATION DU CONGÉLATEUR

HORIZONTAL

Table of Contents/Table des matières

FREEZER SAFETY	2	SÉCURITÉ DU CONGÉLATEUR	9
Freezer Safety	2	Sécurité du congélateur	9
MAINTENANCE AND CARE	4	ENTRETIEN ET RÉPARATION	11
Defrosting and Cleaning Your Freezer	4	Dégivrage et nettoyage du congélateur.....	11
Changing the Light Bulbs (on some models)	4	Remplacer l'ampoule (sur certains modèles).....	11
Power Interruptions	4	Pannes de courant	11
Moving Care	4	Précautions à prendre avant un déménagement.....	12
INSTALLING YOUR FREEZER	5	INSTALLATION DU CONGÉLATEUR	12
Unpacking	5	Déballage	12
Location Requirements	5	Exigences d'emplacement	12
Electrical Requirements	5	Spécifications électriques	13
Switching on the Appliance	5	Mettre en marche l'appareil	13
OPERATING YOUR FREEZER	6	UTILISATION DE VOTRE CONGÉLATEUR	13
Using the Control	6	Utilisation de la commande	13
Temperature Adjustment	6	Réglage de la température	13
Key Eject Lock (on some models)	6	Serrure à éjection de clé (sur certains modèles).....	14
Sliding Basket (on some models)	7	Panier coulissant (sur certains modèles)	14

FREEZER SAFETY

Your safety and the safety of others are very important.

We have provided many important safety messages in this manual and on your appliance. Always read and obey all safety messages.



This is the safety alert symbol.

This symbol alerts you to potential hazards that can kill or hurt you and others.

All safety messages will follow the safety alert symbol and either the word "DANGER" or "WARNING." These words mean:

▲ DANGER

You can be killed or seriously injured if you don't immediately follow instructions.

▲ WARNING

You can be killed or seriously injured if you don't follow instructions.

All safety messages will tell you what the potential hazard is, tell you how to reduce the chance of injury, and tell you what can happen if the instructions are not followed.

IMPORTANT SAFETY INSTRUCTIONS

WARNING: To reduce the risk of fire, electric shock, or injury to persons when using your appliance, follow basic precautions, including the following:

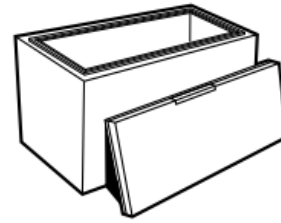
- Children should be supervised to ensure that they do not play with the appliance.
- This appliance is not intended for use by persons (including children) with reduced physical, sensory, or mental capabilities, or lack of experience and knowledge, unless they have been given supervision or instruction concerning use of the appliance by a person responsible for their safety.
- Do not use an extension cord.
- If power supply cord is damaged, it must be replaced by the manufacturer, its service agent, or a similarly qualified person in order to avoid a hazard.
- This appliance is intended to be used in household and similar applications such as: staff kitchen areas in shops, offices, and other working environments; farm houses and by clients in hotels, motels, and other residential-type environments; bed and breakfast-type environments; and catering and similar non-retail applications.
- Do not store explosive substances such as aerosol cans with a flammable propellant in this appliance.
- Do not use replacement parts that have not been recommended by the manufacturer (e.g., parts made at home using a 3D printer).
- Keep ventilation openings, in the appliance enclosures or in the built-in structure, clear of obstacles.
- Do not use mechanical devices or other means to accelerate the defrosting process, other than those recommended by the manufacturer.
- Do not damage the refrigerant circuit.
- Do not use electrical appliances inside the food storage compartments of the appliance, unless they are of the type recommended by the manufacturer.

SAVE THESE INSTRUCTIONS

Proper Disposal of Your Old Freezer

WARNING: Risk of child entrapment. Before you throw away your old refrigerator or freezer:

- Take off the doors.
- Leave the shelves in place so that children may not easily climb inside.



⚠WARNING

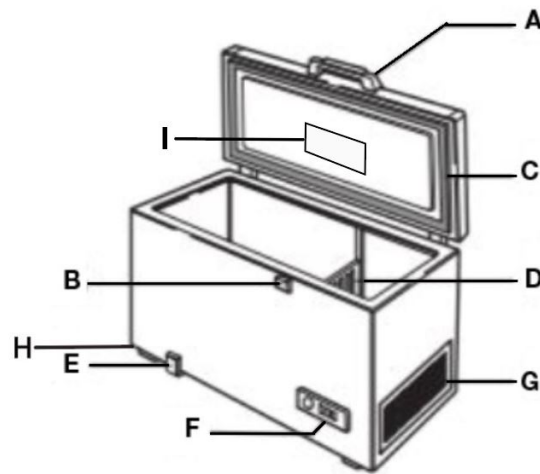
Suffocation Hazard

Remove doors or lid from your old appliance.

Failure to do so can result in death or brain damage.

IMPORTANT: Child entrapment and suffocation are not problems of the past. Junked or abandoned freezers or refrigerators, are still dangerous, even if they will sit for “just a few days.” If you are getting rid of your old refrigerator or freezer, please follow these instructions to help prevent accidents.

Important information to know about disposal of refrigerants: Dispose of freezer in accordance with federal and local regulations. Refrigerants must be evacuated by a licensed, EPA-certified refrigerant technician in accordance with established procedures.



A. Handle

B. Safety Lock (if provided)

C. Gasket

D. Separator (if provided)

E. Defrost water drain plug

F. Control panel

G. Side motor cooling grille

H. Caster Wheels

I. Interior Light

MAINTENANCE AND CARE

Defrosting and Cleaning Your Freezer

⚠ WARNING



Explosion Hazard

Keep flammable materials and vapors, such as gasoline, away from appliance.

Use nonflammable cleaner.

Failure to do so can result in death, explosion, or fire.

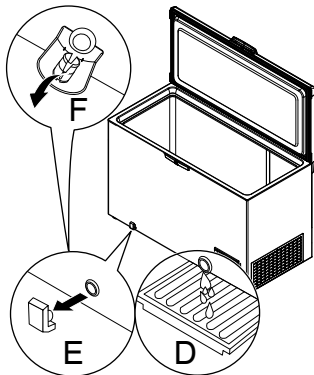
Defrost and clean your freezer when frost has built up to about 1/4" (0.6 cm) thickness, and thoroughly defrost and clean your freezer at least once a year. In high-humidity areas, a freezer may need more frequent defrosting and cleaning.

Do not use abrasive cleaners on your freezer. Do not use cleaning waxes, concentrated detergents, bleaches, or cleaners containing petroleum on plastic parts. Damage can occur.

NOTE: The drain cap must be removed before defrosting the freezer and replaced securely afterward.

1. Unplug freezer or disconnect power.
2. Remove all frozen food. Wrap frozen food in several layers of newspaper and cover with a blanket. Food will stay frozen for several hours. You may also store frozen food in a cooler, additional refrigerator-freezer, or in a cool area.
3. Remove the drain cover (E) by pulling it straight out. Place the curved section of the drain cover under the open drain hole (F). Place the Separate pan (D), or a drain pan, under the drain. Or, let the water drain out of the drain hole in to the pan (D).

NOTE: Check the drain pan frequently to avoid water overflow. Have a second pan handy for easier emptying.



4. Place pans of hot water in freezer with lid open to speed melting. Directing air from an electric fan into freezer will also help. Do not place fan or any electrical device in freezer.

5. Use a plastic scraper to remove frost.

NOTE: Do not use an ice pick, knife, or other sharp-pointed tool to defrost freezer. Damage can occur.

6. Wipe water from walls with a towel or sponge.

7. Wash the inside walls with a solution of mild detergent in warm water or 2 tbs (26 g) baking soda to 1 qt. (0.95 L) warm water. Do not use abrasive or harsh cleaners.
8. Rinse well and wipe dry with a clean, soft cloth.
9. Use a clean sponge or soft cloth and mild detergent in warm water to clean outside of freezer, door liner, and gasket.
10. Rinse well and wipe dry with a clean, soft cloth.
11. Wax painted metal surfaces on the outside of freezer to avoid rust.
NOTE: Do not use wax on plastic parts. Wax may damage them.
12. Remove the hose adapter and replace the drain cover and the plastic cap in the bottom of the freezer.
13. Replace all frozen food.
14. If your freezer is equipped with a temperature alarm, turn off alarm for 24 hours after defrosting.
15. Plug in freezer or reconnect power. See "Using the Control."

Changing the Light Bulbs (on some models)

To Replace Interior Light:

1. Unplug freezer or disconnect power.
2. Pinch top and bottom of light cover with both hands.
3. Replace bulb with a 15 W maximum appliance bulb.
NOTE: Not all appliance bulbs will fit your freezer. Be sure to replace the bulb with one of the same size, shape, and wattage.
4. Align bottom of cover and snap top of cover in place.
5. Plug in freezer or reconnect power.

Power Interruptions

If the power will be out for 24 hours or less, keep the door closed to help food stay cold and frozen.

If the power will be out for more than 24 hours, do one of the following:

- Remove all frozen food and store it in a frozen food locker.
- If a food locker is not available, consume or can perishable food at once.

REMEMBER: A full freezer stays cold longer than a partially filled one. A freezer full of meat stays cold longer than a freezer full of baked goods. If you see that food contains ice crystals, it may be refrozen, although the quality and flavor may be affected. If the condition of the food is poor, dispose of it.

Moving Care

When you are moving your freezer to a new home, follow these steps to prepare it for the move.

1. Remove all frozen food.
2. Unplug the freezer.
3. Take out all removable parts, wrap them well, and tape them together so they don't shift and rattle during the move.
4. Clean the freezer thoroughly.
5. Tape the freezer shut and tape the electrical cord to the cabinet.

When you get to your new home, refer to the "Installing Your Freezer" and "Operating Your Freezer" sections for information on installation and setting the controls.

INSTALLING YOUR FREEZER

Unpacking

⚠ WARNING

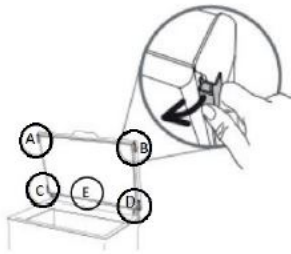
Excessive Weight Hazard

Use two or more people to move and install or uninstall appliance.

Failure to do so can result in back or other injury.

Remove Packaging Materials

- Unpack the appliance.
- Remove the 5 spacers inserted between the door and the appliance.



- Make sure the defrost drain plug (if provided) is correctly positioned.

When Moving Your Freezer:

Your freezer is heavy. When moving the freezer for cleaning or service, be sure to cover the floor with cardboard or hardboard to avoid floor damage. Always pull the freezer straight out when moving it. Do not wiggle or “walk” the freezer when trying to move it, as floor damage could occur.

Clean Before Using

After you remove all of the packaging materials, clean the inside of your freezer before using it. See the “Maintenance and Care” section.

Location Requirements

⚠ WARNING



Explosion Hazard

Keep flammable materials and vapors, such as gasoline, away from appliance.

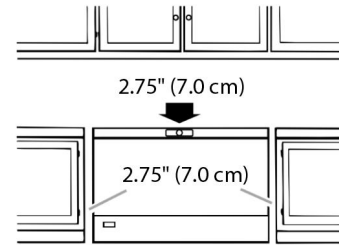
Use nonflammable cleaner.

Failure to do so can result in death, explosion, or fire.

Ventilation and Clearance

- Keep flammable materials and vapors, such as gasoline, away from freezer.
- Do not cover the freezer with items such as blankets, sheets, and tablecloths. This reduces air circulation.

- Allow at least a 2.75" (7.0 cm) clearance on both sides of the freezer and 2.75" (7.0 cm) between the back of the freezer and the wall. Leave room above the freezer to open the lid.

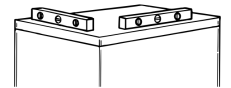


Temperature

Your freezer operates most efficiently when located in an area where the temperature is normally between 32°F (0°C) and 110°F (43°C). Place your freezer in a location where the temperature will fall between the low and high recommended temperatures.

Upon Moving to Final Location

Level the freezer from side to side and front to back so that the lid will seal properly. Use shims to level the freezer if necessary.



NOTE: It should not be necessary to remove the lid during installation. If, for any reason, the hinges need adjustment, contact a designated service company.

Electrical Requirements

⚠ WARNING



Electrical Shock Hazard

Plug into a grounded 3 prong outlet.

Do not remove ground prong.

Do not use an adapter.

Do not use an extension cord.

Failure to follow these instructions can result in death, fire, or electrical shock.

Before you move your freezer into its final location, it is important to make sure you have the proper electrical connection.

Recommended Grounding Method

A 115 V, 60 Hz, AC-only, 15 A or 20 A fused, grounded electrical supply is required. It is recommended that a separate circuit serving only your freezer be provided. Use an outlet that cannot be turned off by a switch. Do not use an extension cord.

NOTE: Before performing any type of installation, cleaning, or removing a light bulb, turn the temperature control to 0 (align circle on knob with desired number), as shown, to turn off cooling, and then disconnect the freezer from the electrical source.

Switching on the Appliance

- The appliance is factory set for optimum operation at a temperature of 0°F (-18°C).
- Plug in the appliance.
- The green LED lights up.

- Also the red LED will switch on because the temperature inside the appliance is not yet sufficiently low for food storage. The red LED will normally switch off within the first six hours after the appliance is switched on.
- Place food inside the product only when the red LED (if provided) has switched off.
NOTE: As the seal is tight, the appliance lid cannot be reopened immediately after closing. Wait a few minutes before re-opening the lid of the appliance.
- This appliance features “skin condenser” technology: the condensing unit is integrated into the walls of the freezer. For this reason the side and front walls of the product may become hot while the product is running. This is entirely normal and also reduces the risk of condensation forming in particularly critical environmental conditions.

OPERATING YOUR FREEZER

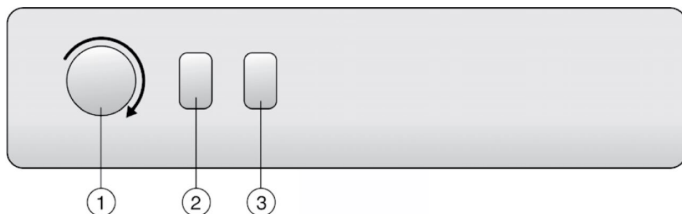
Using the Control

Allow the freezer to cool 6 to 8 hours before filling with frozen food.

NOTES:

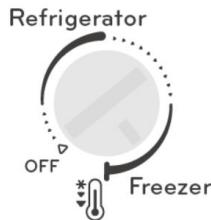
- When the freezer is first started, the compressor will run constantly until the cabinet is cooled. It may take 6 to 8 hours (or longer), depending on room temperature and the number of times the freezer lid is opened.
 - After the cabinet is cooled, the compressor will turn on and off as needed to keep the freezer at the proper temperature.
 - The outside of your freezer may feel warm. This is normal. The freezer’s design and main function is to remove heat from the contents and air inside the freezer. The heat is transferred to the room air, making the outside of the freezer feel warm.
1. Temperature adjustment thermostat.
 2. Red light (if provided): indicates that the temperature inside the product is not low enough.
 3. Green LED (if provided): when lit, indicates that the appliance is running.

The exact configuration of the control panel may vary according to the model.



Temperature Adjustment

Use the thermostat to select the ideal storage temperature. This product could be used both as freezer and as refrigerator.



Freezer Use:

- To use the product as freezer set thermostat in position “freezer”. In this case the product must be used to store frozen food, to freeze fresh food and to make ice. Internal temperature could be set between 6.8°F (-14°C) and -7.6°F (-22°C) (depending on the environmental conditions, this range may vary slightly).
- To use the product as refrigerator set thermostat in position “refrigerator”. In this case the product must be used to store fresh food and beverages. Internal temperature could be set between 33.8°F (1°C) and 41°F (5°C) (depending on the environmental conditions, this range may vary slightly).
- To turn off the product set thermostat in OFF position. In this case the product is already connected to power supply.

Refrigerator Use:

Before switching from freezer use to refrigerator use please:

- Check that frozen food is not present inside the cavity to avoid unwanted food defrosting.
- Defrost and clean the product to avoid water stagnation on the bottom.

NOTE: In the case of high levels of humidity, it is possible that inside the appliance condensation may form on both the walls and the bottom of the compartment. This is absolutely natural and does not jeopardise the operation of the appliance in any way.

Chest Freezer Food Storage:

1-3	
4-7	
8-12	

- 1-3 months suggested for bread, fish and ice-cream
- 4-7 months suggested for poultry, citrus and beef
- 8-12 months for pork, vegetables and fruit

Key Eject Lock (on some models)

⚠ WARNING

Entrapment Hazard

Keep key away from children.

Failure to do so can result in death, suffocation, or frostbite.

To lock or unlock the freezer, you must hold the key in the lock while turning. The lock is spring-loaded, so the key cannot be left in the lock.

If the key is lost, contact your dealer for a replacement. Always give the model and serial number of your freezer when requesting a replacement key.

Sliding Basket (on some models)

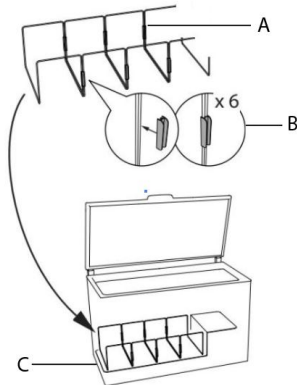
Store small packages in the upper baskets to avoid losing them in the bottom of the freezer. Baskets can then be moved from side to side or they can be removed when loading or unloading the food below them.

To remove basket, lift it straight up and out. To replace basket, lower it back into place.



Installing Sliding Rail (on some models)

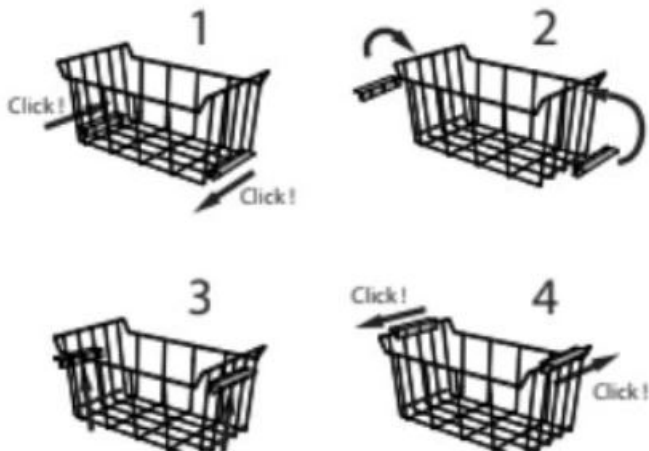
Unpack sliding rails from packaging. Line up the frames next to each other (A). Use the clips to connect the side rails to each other (B). Lower the connected rails to the bottom of the freezer (C).



Baskets can be used in multiple locations (A).

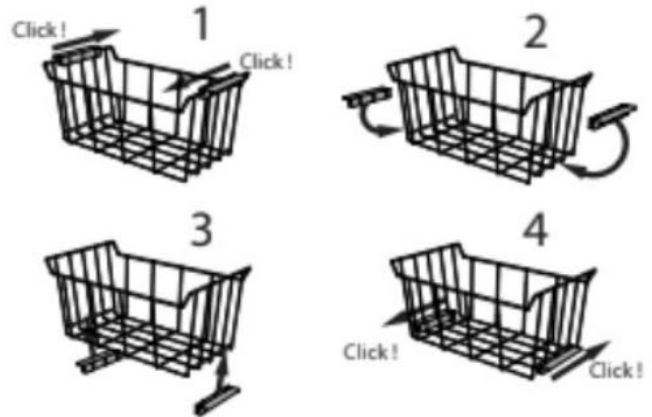
Top Basket Position

Prepare baskets for use along the top of the freezer. Remove clips from the bottom of the basket (1) and click in place along the top of the basket (4).

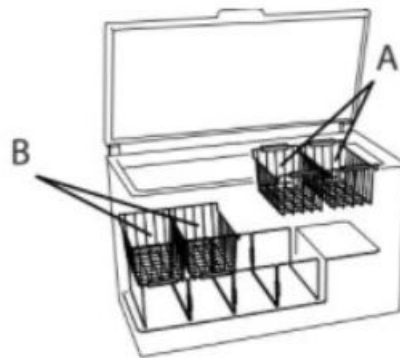


Slide Rail Basket Position

Prepare baskets for use on sliding rails (B). Remove clips from the top of the basket (1) and click in place on the bottom of the basket (4).



Basket location options only:



For information on complete instructions for use and installation, or warranty, please visit <https://www.whirlpool.com/owners>, or in Canada <https://www.whirlpool.ca/owners>. This may save you the cost of a service call. However, if you need to contact us, use the information listed below for the appropriate region.

In the U.S.A.:

1-800-253-1301

Whirlpool Brand Home Appliances
Customer eXperience Center
553 Benson Road
Benton Harbor, MI 49022-2692

In Canada:

1-800-807-8777

Whirlpool Brand Home Appliances
Customer eXperience Center
200 – 6750 Century Ave.
Mississauga ON L5N 0B7

For information on complete instructions for use and installation, or warranty, please visit <https://www.maytag.com/owners>, or in Canada <https://www.maytag.ca/owners>. This may save you the cost of a service call. However, if you need to contact us, use the information listed below for the appropriate region.

In the U.S.A.:

1-800-344-1274

Maytag Brand Appliances
Customer eXperience Center
553 Benson Road
Benton Harbor, MI 49022-2692

In Canada:

1-800-688-2002

Maytag Brand Appliances
Customer eXperience Center
200 – 6750 Century Ave.
Mississauga Ontario L5N 0B7

For information on complete instructions for use and installation, or warranty, please visit <https://www.amana.com/owners>, or in Canada <https://www.amana.ca/owners>. This may save you the cost of a service call. However, if you need to contact us, use the information listed below for the appropriate region.

In the U.S.A.:

1-866-616-2664

Amana Brand Home Appliances
Customer eXperience Center
553 Benson Road
Benton Harbor, MI 49022-2692

In Canada:

1-800-807-6777

Amana Brand Home Appliances
Customer eXperience Center
200 – 6750 Century Ave.
Mississauga Ontario L5N 0B7

SÉCURITÉ DU CONGÉLATEUR

Votre sécurité et celle des autres sont très importantes.

Nous donnons de nombreux messages de sécurité importants dans ce manuel et sur votre appareil. Assurez-vous de toujours lire tous les messages de sécurité et de vous y conformer.



Voici le symbole d'alerte de sécurité.

Ce symbole d'alerte de sécurité vous signale les dangers potentiels de décès et de blessures graves.

Tous les messages de sécurité suivront le symbole d'alerte de sécurité et le mot « DANGER » ou « AVERTISSEMENT ». Ces mots signifient :

▲ DANGER

Risque possible de décès ou de blessure grave si vous ne suivez pas immédiatement les instructions.

▲ AVERTISSEMENT

Risque possible de décès ou de blessure grave si vous ne suivez pas les instructions.

Tous les messages de sécurité vous diront quel est le danger potentiel, comment réduire le risque de blessure et ce qui peut se produire en cas de non-respect des instructions.

INSTRUCTIONS IMPORTANTES DE SÉCURITÉ

AVERTISSEMENT : Afin de réduire le risque d'incendie, de décharge électrique ou de blessures corporelles lors de l'utilisation de cet appareil, observer certaines précautions fondamentales, notamment :

- Les enfants doivent être surveillés afin de s'assurer qu'ils ne jouent pas avec l'appareil.
- Cet appareil ne convient pas à une utilisation par des personnes (y compris des enfants) à capacités physiques, sensorielles ou mentales réduites, ou possédant un manque d'expérience et de connaissances, à moins qu'elles ne soient placées sous supervision ou qu'elles aient reçu des instructions concernant l'utilisation de l'appareil par une personne responsable de leur sécurité.
- Ne pas utiliser de rallonge.
- Si le cordon d'alimentation est endommagé, il doit être remplacé par le fabricant, son agent de réparation ou toute autre personne qualifiée afin d'éviter tout danger.
- Cet appareil est destiné à un usage domestique et à d'autres usages similaires comme : coins cuisine réservés au personnel des boutiques, des bureaux et d'autres environnements professionnels; maisons d'hôtes, ainsi que par les clients d'hôtel, de motels et d'autres installations d'hébergement; gîtes touristiques; et banquets et autres utilisations non commerciales semblables.
- Ne pas entreposer de substances explosives comme des aérosols avec agent propulseur inflammable dans cet appareil.
- Ne pas utiliser de pièces de remplacement qui n'ont pas été recommandées par le fabricant (c.-à-d., pièces fabriquées à la maison à l'aide d'une imprimante 3D).
- Garder les événements à l'intérieur des enceintes de l'appareil ou de la structure encastrée exempte d'obstacles.
- Ne pas utiliser des appareils mécaniques ou autres moyens pour accélérer le processus de dégivrage, autre que ceux recommandés par le fabricant.
- Ne pas endommager le circuit réfrigérant.
- Ne pas utiliser des appareils électriques à l'intérieur des compartiments d'aliments de l'appareil, à moins qu'ils soient de type recommandé par le fabricant.

CONSERVER CES INSTRUCTIONS

Mise au rebut du vieux congélateur

AVERTISSEMENT : Un enfant peut rester piégé. Avant de jeter votre vieux réfrigérateur ou congélateur :

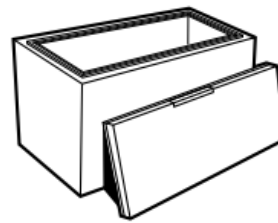
- Enlever les portes.
- Laisser les tablettes en place de sorte que les enfants ne puissent pas y pénétrer facilement.

⚠ AVERTISSEMENT

Risque de suffoquer

Enlever les portes ou le couvercle de votre vieil appareil.

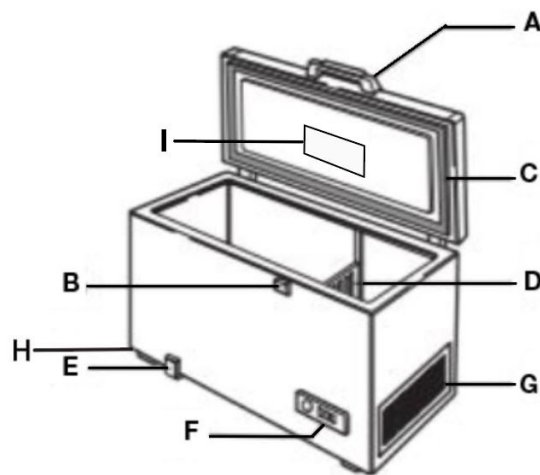
Le non-respect de cette instruction peut causer un décès ou des lésions cérébrales.



IMPORTANT : Le risque qu'un enfant puisse se retrouver coincé et suffoquer n'est pas chose du passé. Les réfrigérateurs et congélateurs jetés ou abandonnés sont toujours dangereux, même s'ils ne restent à l'extérieur que pour « quelques jours seulement ». Si vous vous débarrassez de votre vieux réfrigérateur ou congélateur, veuillez suivre les instructions suivantes pour aider à éviter les accidents.

Informations importantes à connaître pour l'élimination du liquide réfrigérant :

Jeter le congélateur conformément aux règlements fédéraux et locaux. Les liquides réfrigérants doivent être évacués par un technicien en réfrigération accrédité EPA, conformément aux procédures établies.



A. Poignée

B. Verrou de sécurité (si inclus)

C. Joint

D. Séparateur (si inclus)

E. Bouchon de vidange de l'eau de dégivrage

F. Tableau de commande

G. Grille de refroidissement latérale du moteur

H. Roulettes

I. Éclairage intérieur

ENTRETIEN ET RÉPARATION

Dégivrage et nettoyage du congélateur

⚠ AVERTISSEMENT



Risque d'explosion

Garder les matières et les vapeurs inflammables, telles que l'essence, à l'écart de l'appareil.

Utiliser un produit de nettoyage ininflammable.

Le non-respect de ces instructions peut causer un décès, une explosion ou un incendie.

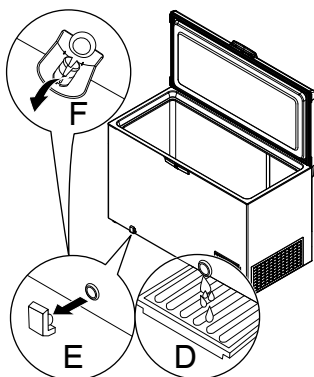
Dégivrer et nettoyer votre congélateur lorsque du givre forme une couche de 1/4 po (0,6 cm) d'épaisseur. Effectuer un dégivrage et un nettoyage au moins une fois par année. Dans les endroits très humides, il peut être nécessaire de procéder à un dégivrage et un nettoyage plus fréquent du congélateur.

Ne pas utiliser de nettoyants abrasifs sur votre congélateur. Ne pas utiliser de cires nettoyantes, de détergents concentrés, d'eau de Javel ou de produits contenant du pétrole sur les pièces en plastique. Cela pourrait endommager le produit.

REMARQUE : Le bouchon de vidange doit être enlevé avant le dégivrage du congélateur et remis en place après.

1. Débrancher le congélateur ou déconnecter la source de courant électrique.
2. Retirer tous les aliments surgelés. Envelopper les aliments surgelés dans plusieurs couches de journal et les couvrir d'une couverture. Les aliments resteront surgelés pendant plusieurs heures. Les aliments surgelés peuvent également être conservés dans une glacière, un congélateur supplémentaire ou un endroit frais.
3. Retirer le couvercle du trou de vidange (E) en tirant dessus. Placer la section incurvée du couvercle du trou de vidange sous le trou de vidange (F). Placer le séparateur du plat (D) ou un plat de vidange, sous le trou de vidange. Ou, laisser l'eau couler par le trou de vidange dans le plat (D).

REMARQUE : Vérifier fréquemment le plat de vidange pour éviter qu'il ne déborde. Prévoir un second récipient pour les vider facilement.



4. Placer des plats d'eau chaude dans le congélateur et laisser le couvercle ouvert pour accélérer le dégivrage. Diriger le flux d'air produit par un ventilateur dans le congélateur aidera aussi. Ne pas placer le ventilateur ou tout autre appareil électrique dans le congélateur.
5. Utiliser un racloir en plastique pour enlever le givre.
REMARQUE : Ne pas utiliser de pic à glace, couteau ou autre outil pointu pour dégivrer le congélateur. Cela pourrait endommager le produit.
6. Essuyer l'eau sur les parois avec une serviette ou une éponge.
7. Laver les parois intérieures avec une solution de détergent doux et d'eau tiède ou 2 cuillères à café (26 g) de bicarbonate de soude dilué dans 0,95 L (1 pte) d'eau tiède. Ne pas utiliser de nettoyants abrasifs ou puissants.
8. Bien rincer et essuyer avec un chiffon propre et doux.
9. Utiliser une éponge ou un chiffon doux propre et un détergent doux dans de l'eau tiède pour nettoyer l'extérieur du congélateur, la paroi de la porte et le joint.
10. Bien rincer et essuyer avec un chiffon propre et doux.
11. Cirer les surfaces métalliques peintes à l'extérieur du congélateur pour éviter la rouille.
REMARQUE : Ne pas cirer les parties en plastique. La cire peut les endommager.
12. Retirer l'adaptateur de tuyau et replacer le couvercle, ainsi que le bouchon de plastique dans le fond du congélateur.
13. Replacer tous les aliments surgelés.
14. Si le congélateur est muni d'une alarme de température, désactiver l'alarme pour les 24 heures suivant le dégivrage.
15. Brancher le congélateur ou reconnecter la source de courant électrique. Voir la section « Utilisation de la commande ».

Remplacer l'ampoule (sur certains modèles)

Pour remplacer l'ampoule à l'intérieur :

1. Débrancher le congélateur ou déconnecter la source de courant électrique.
2. Pincer le haut et le bas du couvercle de l'éclairage avec les deux mains.
3. Remplacer l'ampoule par une ampoule d'une puissance maximum de 15 W.
REMARQUE : Les ampoules pour électroménagers ne conviennent pas toutes pour le congélateur. S'assurer de remplacer l'ampoule par une ampoule de taille, de forme et de puissance semblables.
4. Aligner le bas du couvercle et emboîter le haut du couvercle en place.
5. Brancher le congélateur ou reconnecter la source de courant électrique.

Pannes de courant

Si le service doit être interrompu pendant 24 heures ou moins, garder la porte fermée pour aider les aliments à demeurer froids et congelés.

Si l'alimentation électrique doit être interrompue pendant plus de 24 heures, faire l'une des choses suivantes :

- Retirer tous les aliments congelés et les entreposer dans un entrepôt frigorifique.

- S'il est impossible d'accéder à un entrepôt, consommer les aliments périssables ou les mettre en conserve immédiatement.

NE PAS OUBLIER : Un congélateur plein restera froid plus longtemps qu'un congélateur partiellement rempli. Un congélateur plein de viande demeure froid plus longtemps qu'un congélateur rempli de pains et de pâtisseries. Si les aliments contiennent des cristaux de glace, ils peuvent être remis à congeler, toutefois la qualité et la saveur risquent d'en être affectées. Si les aliments semblent de piètre qualité, les jeter.

Précautions à prendre avant un déménagement

En cas de déménagement et de déplacement du congélateur dans une nouvelle habitation, suivre ces étapes pour préparer le déménagement.

1. Retirer tous les aliments surgelés.
2. Débrancher le congélateur.
3. Retirer toutes les pièces amovibles, bien les envelopper et les attacher ensemble avec du ruban adhésif pour qu'elles ne bougent et ne s'entrechoquent pas durant le déménagement.
4. Bien nettoyer le congélateur.
5. Maintenir le couvercle fermé à l'aide de ruban. Utiliser aussi du ruban pour maintenir le cordon en place.

Une fois dans la nouvelle maison, consulter les sections « Installation de votre congélateur » et « Utilisation de votre congélateur » pour obtenir les renseignements d'installation et de réglage des commandes.

INSTALLATION DU CONGÉLATEUR

Déballage

⚠ AVERTISSEMENT

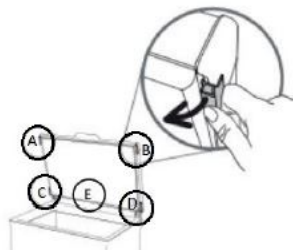
Risque de poids excessif

Utiliser deux personnes ou plus pour déplacer et installer l'appareil.

Le non-respect de cette instruction peut causer une blessure au dos ou d'autres blessures.

Enlèvement des matériaux d'emballage

- Déballer l'appareil.
- Retirer les 5 cales placées entre la porte et l'appareil.



- S'assurer que le bouchon de vidange de dégivrage (si inclus) est bien installé.

Lors du déplacement du congélateur :

Ce congélateur est lourd. Lors du déplacement de ce congélateur pour un nettoyage ou un entretien, veiller à recouvrir le plancher d'un carton ou panneau de fibre dur pour éviter de l'endommager. Toujours tirer le congélateur tout droit lors du déplacement. Ne pas incliner le congélateur d'un côté ou de l'autre ni le « faire marcher » en essayant de le déplacer, car le sol pourrait être endommagé.

Nettoyage avant utilisation

Après avoir enlevé tous les matériaux d'emballage, nettoyer l'intérieur du congélateur avant de l'utiliser. Voir la section « Entretien et réparation ».

Exigences d'emplacement

⚠ AVERTISSEMENT



Risque d'explosion

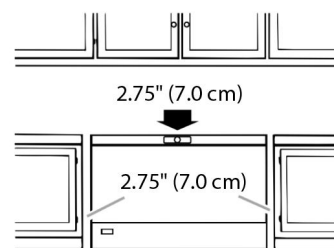
Garder les matières et les vapeurs inflammables, telles que l'essence, à l'écart de l'appareil.

Utiliser un produit de nettoyage ininflammable.

Le non-respect de ces instructions peut causer un décès, une explosion ou un incendie.

Ventilation et espace libre

- Garder les matières et vapeurs inflammables, telles que l'essence, loin du congélateur.
- Ne pas couvrir le congélateur d'un drap, d'une couverture ou d'une nappe. Ceci réduit la circulation d'air.
- Laisser au minimum 2,75 po (7,0 cm) d'espace des deux côtés du congélateur et 2,75 po (7,0 cm) entre l'arrière du congélateur et le mur. Laisser de l'espace au-dessus du congélateur pour permettre d'ouvrir le couvercle.

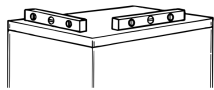


Température

Votre congélateur fonctionne à son efficacité maximale lorsqu'il se trouve dans un endroit où la température se situe entre 32 °F (0 °C) et 110 °F (43 °C). Installer le congélateur dans un endroit où la température reste dans la plage recommandée.

Lors du déplacement à l'emplacement final

Vérifier que le congélateur est d'aplomb dans le sens avant/arrière et latéralement pour que le couvercle ferme bien. Utilisez au besoin des cales pour mettre le congélateur d'aplomb.



REMARQUE : Il ne devrait pas être nécessaire d'enlever le couvercle pendant l'installation. Si, pour aucune raison apparente, les charnières ont besoin d'être ajustées, communiquer avec une entreprise d'entretien autorisée.

Spécifications électriques

⚠ AVERTISSEMENT



Risque de décharge électrique

Brancher l'appareil sur une prise à 3 alvéoles reliée à la terre.

Ne pas enlever la prise de liaison à la terre.

Ne pas utiliser d'adaptateur.

Ne pas utiliser de rallonge.

Le non-respect de ces instructions peut causer un décès, un incendie ou une décharge électrique.

Avant de placer le réfrigérateur à son emplacement final, il est important de s'assurer d'avoir la connexion électrique appropriée.

Méthode recommandée de liaison à la terre

Un circuit de 115 V CA à 60 Hz relié à la terre et protégé par un fusible de 15 A ou 20 A est requis. Il est recommandé d'utiliser un circuit distinct qui n'alimentera que le congélateur. Utiliser une prise de courant dont l'alimentation ne peut pas être interrompue par un interrupteur. Ne pas utiliser de rallonge.

REMARQUE : Avant d'exécuter tout type d'installation, de nettoyage ou de remplacement d'ampoule d'éclairage, placer la commande de température à 0 (aligner le cercle du bouton sur le chiffre souhaité), comme indiqué, pour désactiver le refroidissement, puis débrancher le congélateur de sa source d'alimentation électrique.

Mettre en marche l'appareil

- L'appareil est réglé en usine pour fonctionner de la façon la plus efficace à une température de 0 °F (-18 °C).
- Brancher l'appareil.
- La DEL verte s'allume.
- La DEL rouge s'allume aussi puisque la température à l'intérieur de l'appareil n'est pas encore suffisamment basse pour conserver des aliments. La DEL rouge se ferme normalement dans les six premières heures après avoir mis l'appareil en marche.

- Ne placer des aliments à l'intérieur de l'appareil que lorsque la DEL rouge (si incluse) est éteinte.

REMARQUE : Puisque le joint est hermétique, le couvercle de l'appareil ne peut être ouvert de nouveau immédiatement après avoir été fermé. Attendre quelques minutes avant d'ouvrir de nouveau le couvercle de l'appareil.

- Cet appareil est muni de la technologie de « condensateur par surface » : l'appareil de condensation est intégré à la paroi du congélateur. Pour cette raison les parois latérales et avant du produit peuvent devenir chaudes pendant que le produit fonctionne. Ceci est totalement normal et réduit aussi les risques de condensation se formant dans des environnements où les conditions sont particulièrement difficiles.

UTILISATION DE VOTRE CONGÉLATEUR

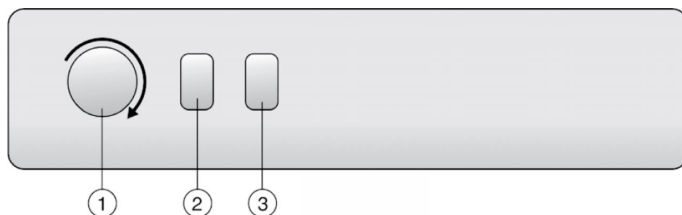
Utilisation de la commande

Laisser le congélateur refroidir de 6 à 8 heures avant d'y ajouter des aliments congelés.

REMARQUES :

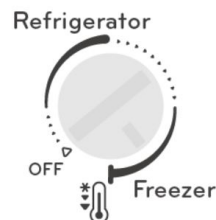
- Lors de la première mise en marche du congélateur, le compresseur fonctionne sans cesse jusqu'à ce que le compartiment soit refroidi. Cette opération peut prendre de 6 à 8 heures (ou plus), selon la température de la pièce et le nombre de fois où le couvercle du congélateur est ouvert.
 - Une fois le compartiment refroidi, le compresseur s'allume et s'éteint par intermittence selon le besoin, afin de permettre au congélateur de rester à la bonne température.
 - Il est possible que l'extérieur du congélateur soit chaud. Ceci est normal. La conception du congélateur, ainsi que sa fonction principale, permettent de supprimer la chaleur provenant des contenants et de l'espace à l'intérieur du congélateur. La chaleur est transférée dans l'air ambiant, ce qui entraîne le réchauffement de l'extérieur du congélateur.
1. Thermostat de réglage de la température.
 2. Témoin rouge (si inclus) : Indique que la température à l'intérieur du produit n'est pas suffisamment basse.
 3. DEL verte (si incluse) : Indique, lorsqu'elle est allumée, que l'appareil fonctionne.

La configuration exacte du tableau de commande peut varier selon le modèle.



Réglage de la température

Utiliser le thermostat pour sélectionner la température de rangement appropriée. Ce produit peut être utilisé comme congélateur ou réfrigérateur.



Utilisation comme congélateur :

- Pour utiliser le produit comme un congélateur, placer le thermostat à la position « freezer » (congélateur). Dans cette situation, le produit doit être utilisé pour ranger des aliments surgelés, pour congeler des aliments frais et pour produire des glaçons. La température interne peut être réglée entre 6,8 °F (-14 °C) et -7,6 °F (-22 °C) (selon les conditions de l'environnement, cette plage peut varier légèrement).
- Pour utiliser le produit comme un réfrigérateur, placer le thermostat à la position « refrigerator » (réfrigérateur). Dans cette situation, le produit doit être utilisé pour ranger des aliments frais et des boissons. La température interne peut être réglée entre 33,8 °F (1 °C) et 41 °F (5 °C) (selon les conditions de l'environnement, cette plage peut varier légèrement).
- Pour éteindre le produit, placer le thermostat à la position OFF (arrêt). Dans cette situation, le produit est déjà branché à l'alimentation électrique.

Utilisation comme réfrigérateur :

Avant de passer du mode congélateur au mode réfrigérateur :

- Vérifier qu'il n'y a pas d'aliments surgelés à l'intérieur pour éviter la décongélation accidentelle des aliments.
- Dégivrer et nettoyer le produit pour éviter l'accumulation d'eau à la base.

REMARQUE : Dans une situation où il y a beaucoup d'humidité, il est possible que de la condensation se forme à l'intérieur de l'appareil sur les deux parois et au fond du compartiment. Cette situation est normale et ne nuit d'aucune façon au fonctionnement de l'appareil.

Rangement d'aliments dans le congélateur horizontal :

1-3	
4-7	
8-12	

- 1 à 3 mois suggérés pour le pain, le poisson et la crème glacée
- 4 à 7 mois suggérés pour la volaille, les agrumes et le bœuf
- 8 à 12 mois suggérés pour le porc, les légumes et les fruits

Serrure à éjection de clé (sur certains modèles)

⚠ WARNING

Risque d'emprisonnement

Garder la clé loin des enfants.

Le non-respect de cette instruction peut causer un décès, une suffocation ou des gelures.

Pour verrouiller ou déverrouiller le congélateur, il faut maintenir la clé dans la serrure pendant qu'on la tourne. La serrure est munie d'un ressort, la clé ne peut donc pas y rester.

Si la clé est perdue, contacter votre revendeur pour la remplacer. Toujours indiquer les numéros de série et de modèle de votre congélateur lors de la demande d'une clé de remplacement.

Panier coulissant (sur certains modèles)

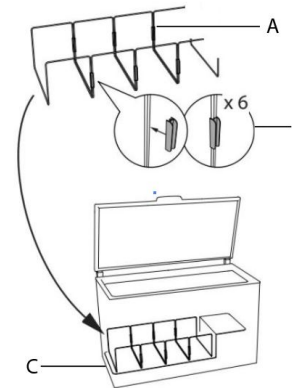
Ranger de petits emballages dans les paniers supérieurs pour éviter de les perdre dans le bas du congélateur. Les paniers peuvent se déplacer d'un côté à l'autre ou être enlevés pour ajouter ou enlever des aliments du compartiment principal.

Pour enlever un panier, le soulever directement vers le haut. Pour remettre le panier en place, l'abaisser à sa place.



Installation des tringles (sur certains modèles)

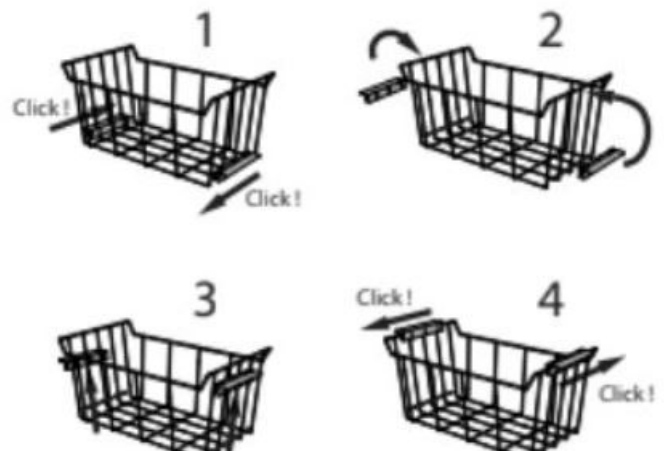
Déballer les tringles de l'emballage. Aligner les cadres l'un à côté de l'autre (A). Utilisez les pinces pour raccorder les tringles latérales l'une à l'autre (B). Abaisser les tringles raccordées dans le bas du congélateur (C).



Les paniers peuvent être utilisés à différents endroits (A).

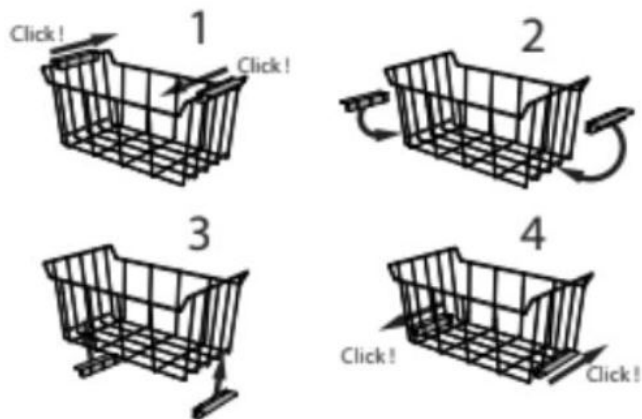
Position du panier en haut

Préparer le panier pour une utilisation au haut du congélateur. Retirez les pinces de la base du panier (1) et emboîtez-les sur le haut du panier (4).

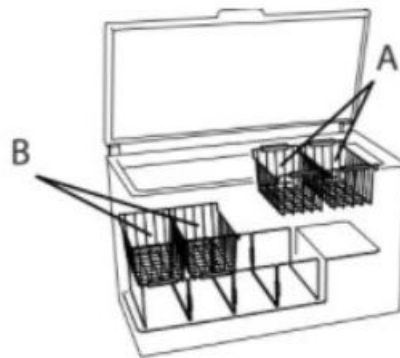


Position des tringles du panier

Préparer le panier pour une utilisation avec les tringles (B).
Retirez les pinces du haut du panier (1) et emboîtez-les sur le bas du panier (4).



Options d'emplacement du panier seulement :



Pour obtenir des instructions complètes sur l'utilisation, l'installation ou la garantie, visiter le <https://www.whirlpool.com/owners> ou au Canada <https://www.whirlpool.ca/owners>. Cette vérification peut vous faire économiser le coût d'une intervention de dépannage. Cependant, si vous devez nous contacter, utiliser les coordonnées suivantes selon la bonne région.

Aux États-Unis :

1 800 253-1301

Whirlpool Brand Home Appliances
Customer eXperience Center
553 Benson Road
Benton Harbor, MI 49022-2692

Au Canada :

1 800 807-8777

Whirlpool Brand Home Appliances
Customer eXperience Center
200 – 6750 Century Ave.
Mississauga ON L5N 0B7

Pour obtenir des instructions complètes sur l'utilisation, l'installation ou la garantie, visiter le <https://www.maytag.com/owners> ou au Canada <https://www.maytag.ca/owners>. Cette vérification peut vous faire économiser le coût d'une intervention de dépannage. Cependant, si vous devez nous contacter, utiliser les coordonnées suivantes selon la bonne région.

Aux États-Unis :

1 800 344-1274

Maytag Brand Appliances
Customer eXperience Center
553 Benson Road
Benton Harbor, MI 49022-2692

Au Canada :

1 800 688-2002

Maytag Brand Appliances
Customer eXperience Center
200 – 6750 Century Ave.
Mississauga Ontario L5N 0B7

Pour obtenir des instructions complètes sur l'utilisation, l'installation ou la garantie, visiter le <https://www.amana.com/owners> ou au Canada <https://www.amana.ca/owners>. Cette vérification peut vous faire économiser le coût d'une intervention de dépannage. Cependant, si vous devez nous contacter, utiliser les coordonnées suivantes selon la bonne région.

Aux États-Unis :

1 866 616-2664

Amana Brand Home Appliances
Customer eXperience Center
553 Benson Road
Benton Harbor, MI 49022-2692

Au Canada :

1 800 807-6777

Amana Brand Home Appliances
Customer eXperience Center
200 – 6750 Century Ave.
Mississauga Ontario L5N 0B7

NOTES