

24" (61 cm) Electric & 27" (69 cm) Electric and Gas Washer/Dryer Installation Instructions

Instructions pour l'installation de la laveuse/sécheuse électrique de 24" (61 cm) et électrique et à gaz de 27" (69 cm)

Instrucciones de instalación de la lavadora/secadora eléctrica de 24" (61 cm) y eléctrica y de gas de 27" (69 cm)

Table of Contents

WASHER/DRYER SAFETY	2
INSTALLATION REQUIREMENTS.....	5
LOCATION REQUIREMENTS.....	7
DIMENSIONS/CLEARANCES, 27" (69 CM) MODELS	8
DIMENSIONS/CLEARANCES, 24" (61 CM) MODELS	9
DRAIN SYSTEM	10
ELECTRICAL REQUIREMENTS, 240V ELECTRIC MODELS – U.S.A.	11
ELECTRICAL REQUIREMENTS, 120V ELECTRIC MODELS – U.S.A. AND CANADA (24" [61 CM] MODELS ONLY)	12
ELECTRICAL REQUIREMENTS, 240V ELECTRIC MODELS – CANADA.....	12
ELECTRICAL REQUIREMENTS, GAS MODELS (27" [69 CM] MODELS ONLY)	13
GAS SUPPLY REQUIREMENTS, GAS MODELS (27" [69 CM] MODELS ONLY)	13
REMOVE FOAM PACKING (24" [61 CM] MODELS)	14
ELECTRICAL CONNECTION, 27" (69 CM) ELECTRIC MODELS (U.S.A. ONLY)	15
ELECTRICAL CONNECTION, 24" (61 CM) 240V ELECTRIC MODELS (U.S.A. ONLY)	21
VENTING	25
CONNECT DRAIN HOSE.....	28
CONNECT INLET HOSES.....	29
MAKE GAS CONNECTION (GAS 27" [69 CM] MODELS ONLY)	30
CONNECT VENT	31
FINAL INSTALLATION STEPS.....	32
COMPLETE INSTALLATION CHECKLIST	35

Table des matières

SÉCURITÉ DE LA LAVEUSE/SÉCHEUSE	36
EXIGENCES D'INSTALLATION	39
EXIGENCES D'EMPLACEMENT	41
DIMENSIONS/DISTANCES DE DÉGAGEMENT, MODÈLES DE 27" (69 CM).....	42
DIMENSIONS/DISTANCES DE DÉGAGEMENT, MODÈLES DE 24" (61 CM).....	43
SYSTÈME DE VIDANGE	44
SPÉCIFICATIONS ÉLECTRIQUES, MODÈLES ÉLECTRIQUES DE 120V (MODÈLES DE 24" [61 CM] UNIQUEMENT – CANADA.....	45
SPÉCIFICATIONS ÉLECTRIQUES, MODÈLES ÉLECTRIQUES DE 240V – CANADA	45
SPÉCIFICATIONS ÉLECTRIQUES, MODÈLES À GAZ (MODÈLES DE 27" [69 CM] UNIQUEMENT).....	46
SPÉCIFICATIONS DE L'ALIMENTATION EN GAZ, MODÈLES À GAZ (MODÈLES DE 27" [69 CM] UNIQUEMENT).....	47
ENLEVER L'EMBALLAGE EN MOUSSE (MODÈLES DE 24" [61 CM]).....	48
ÉVACUATION	49
RACCORDEMENT DU TUYAU DE VIDANGE.....	52
RACCORDEMENT DES TUYAUX D'ARRIVÉE D'EAU	53
RACCORDEMENT À LA CANALISATION DE GAZ (MODÈLES À GAZ DE 27" [69 CM] UNIQUEMENT).....	54
RACCORDEMENT DU CONDUIT D'ÉVACUATION	55
ÉTAPES D'INSTALLATION FINALES	56
LISTE DE VÉRIFICATION POUR L'ACHÈVEMENT DE L'INSTALLATION	59

Índice

SEGURIDAD DE LA LAVADORA/SECADORA	60
REQUISITOS DE INSTALACIÓN	63
REQUISITOS DE UBICACIÓN.....	65
DIMENSIONES Y ESPACIOS LIBRES, MODELOS DE 27" (69 CM)	66
DIMENSIONES Y ESPACIOS LIBRES, MODELOS DE 24" (61 CM)	67
SISTEMA DE DESAGÜE.....	68
REQUISITOS ELÉCTRICOS, MODELOS ELÉCTRICOS DE 240V.....	69
REQUISITOS ELÉCTRICOS, MODELOS ELÉCTRICOS DE 120V (MODELOS DE 24" [61 CM] SOLAMENTE).....	70
REQUISITOS ELÉCTRICOS, MODELOS A GAS (MODELOS DE 27" [69 CM] SOLAMENTE).....	71
REQUISITOS DEL SUMINISTRO DE GAS, MODELOS A GAS (MODELOS DE 27" [69 CM] SOLAMENTE).....	72

QUITE EL EMBALAJE DE HULE ESPUMA (MODELOS DE 24" [61 CM]).....	73
CONEXIÓN ELÉCTRICA, MODELOS ELÉCTRICOS DE 27" (69 CM) (EE.UU. SOLAMENTE)	74
CONEXIÓN ELÉCTRICA, MODELOS ELÉCTRICOS DE 24" (61 CM) DE 240V (EE.UU. SOLAMENTE).....	80
VENTILACIÓN	84
CONECTE LA MANGUERA DE DESAGÜE.....	87
CONECTE LAS MANGUERAS DE ENTRADA	88
CONEXIÓN DEL SUMINISTRO DE GAS (MODELOS A GAS DE 27" [69 CM] SOLAMENTE)	89
CONECTE EL DUCTO DE ESCAPE.....	90
PASOS FINALES DE INSTALACIÓN	91
LISTA DE CONTROL PARA LA REALIZACIÓN DE LA INSTALACIÓN.....	94

INSTALLATION NOTES

Date of purchase: _____
Date of installation: _____
Installer: _____
Model number: _____
Serial number: _____

NOTES CONCERNANT L'INSTALLATION

Date d'achat : _____
Date d'installation : _____
Installateur : _____
Numéro de modèle : _____
Numéro de série : _____

NOTAS DE INSTALACIÓN

Fecha de la compra: _____
Fecha de la instalación: _____
Instalador: _____
Número de modelo: _____
Número de serie: _____



Washer/Dryer Safety

Your safety and the safety of others are very important.

We have provided many important safety messages in this manual and on your appliance. Always read and obey all safety messages.



This is the safety alert symbol.

This symbol alerts you to potential hazards that can kill or hurt you and others.

All safety messages will follow the safety alert symbol and either the word “DANGER” or “WARNING.” These words mean:

⚠ DANGER

You can be killed or seriously injured if you don't immediately follow instructions.

⚠ WARNING

You can be killed or seriously injured if you don't follow instructions.

All safety messages will tell you what the potential hazard is, tell you how to reduce the chance of injury, and tell you what can happen if the instructions are not followed.



WARNING - “Risk of Fire”

- Clothes dryer installation must be performed by a qualified installer.
- Install the clothes dryer according to the manufacturer’s instructions and local codes.
- Do not install a clothes dryer with flexible plastic venting materials or flexible metal (foil type) duct. If flexible metal duct is installed, it must be of a specific type identified by the appliance manufacturer as suitable for use with clothes dryers. Flexible venting materials are known to collapse, be easily crushed, and trap lint. These conditions will obstruct clothes dryer airflow and increase the risk of fire.
- To reduce the risk of severe injury or death, follow all installation instructions.
- Save these instructions.

⚠ WARNING

Fire Hazard

Failure to follow safety warnings exactly could result in serious injury, death, or property damage.

Do not install a booster fan in the exhaust duct.

Install all clothes dryers in accordance with the installation instructions of the manufacturer of the dryer.

 **WARNING:**

FIRE OR EXPLOSION HAZARD

Failure to follow safety warnings exactly could result in serious injury, death, or property damage.

- Do not store or use gasoline or other flammable vapors and liquids in the vicinity of this or any other appliance.
- **WHAT TO DO IF YOU SMELL GAS:**
 - Do not try to light any appliance.
 - Do not touch any electrical switch; do not use any phone in your building.
 - Clear the room, building, or area of all occupants.
 - Immediately call your gas supplier from a neighbor's phone. Follow the gas supplier's instructions.
 - If you cannot reach your gas supplier, call the fire department.
- Installation and service must be performed by a qualified installer, service agency, or the gas supplier.

WARNING: Gas leaks cannot always be detected by smell.

Gas suppliers recommend that you use a gas detector approved by UL or CSA.

For more information, contact your gas supplier.

If a gas leak is detected, follow the "What to do if you smell gas" instructions.

In the State of Massachusetts, the following installation instructions apply:

- Installations and repairs must be performed by a qualified or licensed contractor, plumber, or gas fitter qualified or licensed by the State of Massachusetts.
- Acceptable Shut-off Devices: Gas Cocks and Ball Valves installed for use shall be listed.
- A flexible gas connector, when used, must not exceed 4 feet (121.9 cm).

IMPORTANT: The gas installation must conform with local codes, or in the absence of local codes, with the National Fuel Gas Code, ANSI Z223.1/NFPA 54, or the Natural Gas and Propane Installation Code, CSA B149.1.

The dryer must be electrically grounded in accordance with local codes, or in the absence of local codes, with the National Electrical Code, ANSI/NFPA 70, or the Canadian Electrical Code, Part 1, CSA C22.1.

IMPORTANT SAFETY INSTRUCTIONS

WARNING: To reduce the risk of fire, electric shock, or injury to persons when using the washer/dryer, follow basic precautions, including the following:

- Read all instructions before using the washer/dryer.
- Do not place items exposed to cooking oils in your dryer. Items contaminated with cooking oils may contribute to a chemical reaction that could cause a load to catch fire.
- To reduce the risk of fire due to contaminated loads, the final part of a tumble dryer cycle occurs without heat (cool down period). Avoid stopping a tumble dryer before the end of the drying cycle unless all items are quickly removed and spread out so that the heat is dissipated.
- Do not wash or dry articles that have been previously cleaned in, washed in, soaked in, or spotted with gasoline, dry-cleaning solvents, or other flammable or explosive substances as they give off vapors that could ignite or explode.
- Do not add gasoline, dry-cleaning solvents, or other flammable or explosive substances to the wash water. These substances give off vapors that could ignite or explode.
- Do not allow children to play on or in the washer/dryer. Close supervision of children is necessary when the washer/dryer is used near children.
- Before the washer/dryer is removed from service or discarded, remove the doors to the washer/dryer compartments.
- Do not reach into the washer/dryer if the tub, agitator, or drum is moving.
- Do not install or store the washer/dryer where it will be exposed to the weather.
- Do not tamper with controls.
- Clean dryer lint screen before or after each load.
- Under certain conditions, hydrogen gas may be produced in a hot water system that has not been used for 2 weeks or more. **HYDROGEN GAS IS EXPLOSIVE.** If the hot water system has not been used for such a period, before using the washing machine, turn on all hot water faucets and let the water flow from each for several minutes. This will release any accumulated hydrogen gas. As the gas is flammable, do not smoke or use an open flame during this time.
- Do not repair or replace any part of the washer/dryer or attempt any servicing unless specifically recommended in this Use and Care Guide or in published user-repair instructions that you understand and have the skills to carry out.
- Do not use fabric softeners or products to eliminate static unless recommended by the manufacturer of the fabric softener or product.
- Do not use heat to dry articles containing foam rubber or similarly textured rubber-like materials.
- Keep area around the exhaust opening and adjacent surrounding areas free from the accumulation of lint, dust, and dirt.
- The interior of the machine and dryer exhaust vent should be cleaned periodically by qualified service personnel.
- See “Electrical Requirements” section of the Installation Instructions booklet for grounding instructions.

SAVE THESE INSTRUCTIONS

State of California Proposition 65 Warnings:

WARNING: This product contains one or more chemicals known to the State of California to cause cancer.

WARNING: This product contains one or more chemicals known to the State of California to cause birth defects or other reproductive harm.

IMPORTANT SAFETY INSTRUCTIONS

When discarding or storing your old clothes dryer, remove the door.

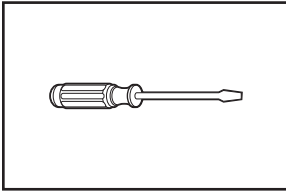
SAVE THESE INSTRUCTIONS

Installation Requirements

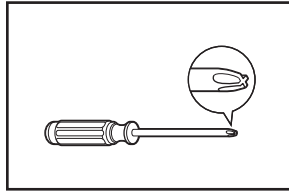
Tools and Parts

Gather required tools and parts before starting installation.

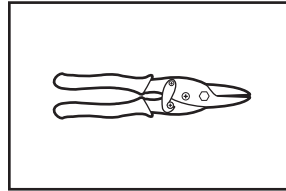
Tools needed:



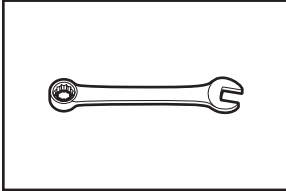
Flat-blade screwdriver



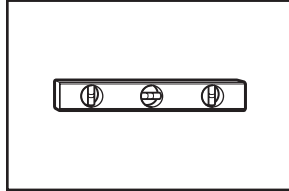
#2 Phillips screwdriver



Tin snips (new vent installations)

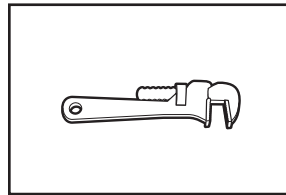


Adjustable or open-end wrench 9/16" (14 mm)

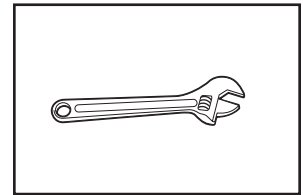


Level

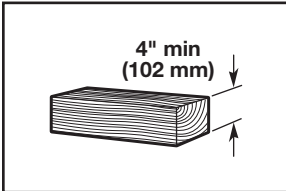
Tools needed for gas installations:



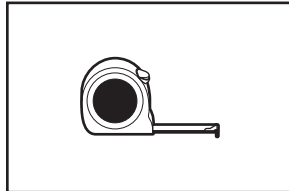
8" (203 mm) or 10" (254 mm) pipe wrench



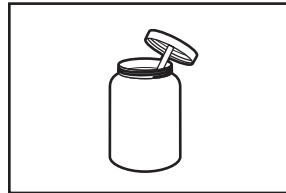
8" (203 mm) or 10" (254 mm) adjustable wrench (for gas connections)



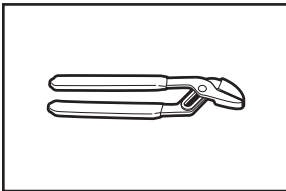
Wood block



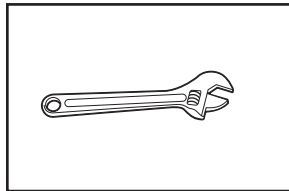
Ruler or measuring tape



Pipe-joint compound resistant to propane gas

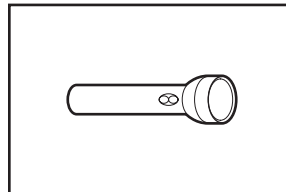


Pliers that open to 1 9/16" (39.5 mm)

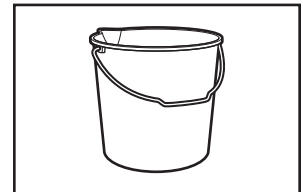


Adjustable wrench that opens to 1" (25 mm) or hex-head socket wrench

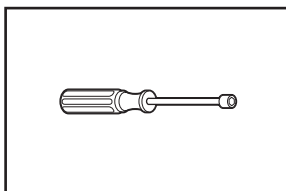
Optional tools:



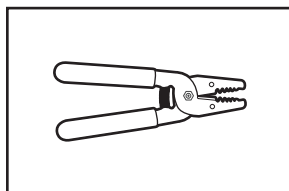
Flashlight



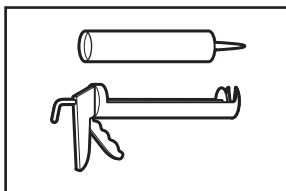
Bucket



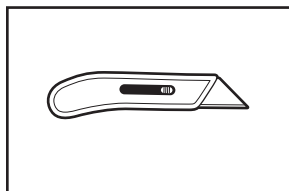
1/4" (6.5 mm) nut driver (recommended)



Wire stripper



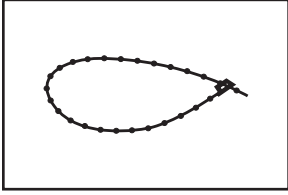
Caulking gun and compound (new vent installations)



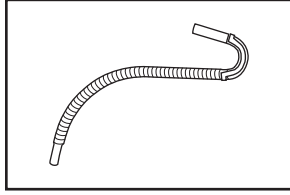
Utility knife

Parts supplied:

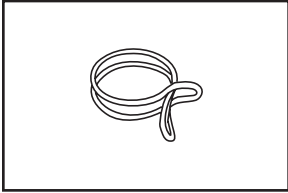
NOTE: Remove parts package from the washer basket. Check that all parts were included.



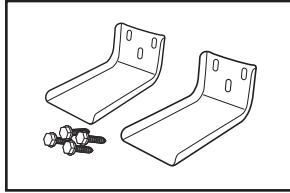
Plastic strap



Drain hose

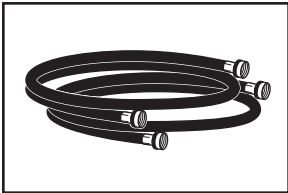


Silver double-wire hose clamp



Anti-tip brackets (2) and screws (4) (27" [69 cm] models)

Parts needed: (Not supplied with washer/dryer)



Inlet hoses with flat washers

- Vent clamps
- Vent elbows and ductwork
- Mobile Home Installation Kit (Part Number 346764)
- Metal exhaust system hardware

Check local codes, electrical supply and venting, and read "Electrical Requirements" and "Venting Requirements" before purchasing parts. Mobile home installations require metal exhaust system hardware available for purchase from the dealer from whom you purchased your washer/dryer. For further information, please reference the "Assistance or Service" section of the Washer/Dryer Use and Care Guide.

Optional equipment: (Not supplied with washer/dryer)

Refer to your Use and Care Guide for information about accessories available for your washer/dryer.

Alternate parts: (Not supplied with washer/dryer)

Your installation may require additional parts. To order, please refer to the toll-free numbers on the back page of your Use and Care Guide.

If you have:

Overhead sewer

Floor drain

1" (25 mm) standpipe

Laundry tub or standpipe taller than 96" (2.4 m)

Drain hose too short

Lint clogged drain

Water faucets beyond reach of fill hoses

You will need:

Standard 20 gal. (76 L) 39" (991 mm) tall Drain Tub or Utility Sink, Sump Pump and Connectors (available from local plumbing suppliers)

Siphon Break Part Number 285320, Additional Drain Hose Part Number 285702, and Connector Kit Part Number 285442

2" (51 mm) diameter to 1" (25 mm) diameter Standpipe Adapter Part Number 3363920, Connector Kit Part Number 285835

Sump pump system (if not already available)


Extension Drain Hose Part Number 285863, Connector Kit Part Number 285835

Drain Protector Part Number 367031, Connector Kit Part Number 285835

Two longer water fill hoses:
6 ft (1.8 m) Part Number 76314,
10 ft (3.0 m) Part Number 350008

Location Requirements

⚠ WARNING



Explosion Hazard

Keep flammable materials and vapors, such as gasoline, away from dryer.

Do not install in a garage.

Failure to do so can result in death, explosion, or fire.

Select proper location for your washer/dryer to improve performance and minimize noise and possible “washer walk.” Install your washer/dryer in a basement, laundry room, closet, or recessed area.

You will need:

- A location that allows for proper exhaust installation. A washer/dryer must be exhausted to the outdoors. See “Venting Requirements.”
- For 27" (69 cm) and 24" (61 cm) 240V electric models, a separate 30 amp circuit. For 24" (61 cm) 120V electric models, a separate 20 amp circuit. For gas models, a separate 120V 15 or 20 amp circuit.
- For 27" (69 cm) electric models using a power supply cord, for 24" (61 cm) electric models, and for gas models, a grounded electrical outlet located within 2 ft (610 mm) of either side of the washer/ dryer. See “Electrical Requirements.”
- A sturdy floor to support the washer/dryer weight (washer/dryer, water, and load) of 500 lbs (226.8 kg).
- A level floor with a maximum slope of 1" (25 mm) under entire washer/dryer. Clothes may not tumble properly and automatic sensor cycles may not operate correctly if washer/dryer is not level. Installing on carpet is not recommended.
- A water heater set to deliver 120°F (49°C) water to the washer.
- Hot and cold water faucets located within 4 ft (1.2 m) of the hot and cold water fill valves, and water pressure of 5–100 psi (34.5–689.6 kPa).

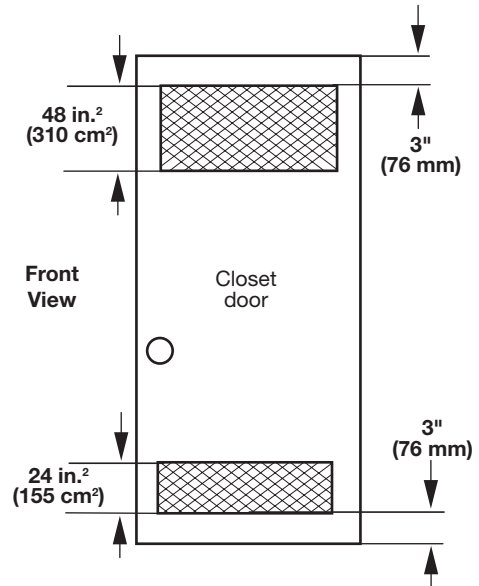
The washer/dryer must not be installed or stored in an area where it will be exposed to water and/or weather.

Do not operate your washer in temperatures at or below 32°F (0°C). Some water can remain in the washer and can cause damage in low temperatures. See “Washer/Dryer Care” in the Washer/Dryer Use and Care Guide for winterizing information.

Do not operate your dryer at temperatures below 45°F (7°C). At lower temperatures, the dryer might not shut off at the end of an automatic cycle. This can result in longer drying times.

Check code requirements. Some codes limit, or do not permit, installation of the washer/dryer in garages, closets, mobile homes, or sleeping quarters. Contact your local building inspector.

Recessed area or closet installation



The spacing dimensions on the following pages are recommended for this washer/dryer. This washer/dryer has been tested for spacing of 0" (0 mm) clearance at the sides and back. Recommended spacing should be considered for the following reasons:

- Additional spacing should be considered for ease of installation and servicing.
- Additional clearances might be required for wall, door, and floor moldings.
- Additional spacing on all sides of the washer/dryer is recommended to reduce noise transfer.
- For closet installation, with a door, minimum ventilation openings in the top and bottom of the door are required. Louvered doors with equivalent ventilation openings are acceptable.

NOTE: For gas models, no other fuel-burning appliance can be installed in the same closet as the washer/dryer.

Mobile Home – Additional Installation Requirements

This washer/dryer is suitable for mobile home installations. The installation must conform to the Manufactured Home Construction and Safety Standard, Title 24 CFR, Part 3280 (formerly the Federal Standard for Mobile Home Construction and Safety, Title 24, HUD Part 280) or the Canadian Manufactured Home Standard, CAN/CSA-Z240 MH.

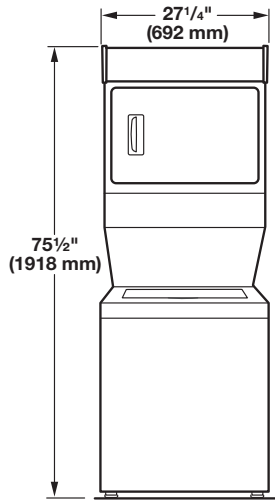
Mobile home installations require:

- Metal exhaust system hardware, which is available for purchase from your dealer.
- Mobile Home Installation Kit Part Number 346764 (gas models only). See “Tools and Parts” for ordering information.
- Special provisions must be made in mobile homes to introduce outside air into the dryer. The opening (such as a nearby window) should be at least twice as large as the dryer exhaust opening.

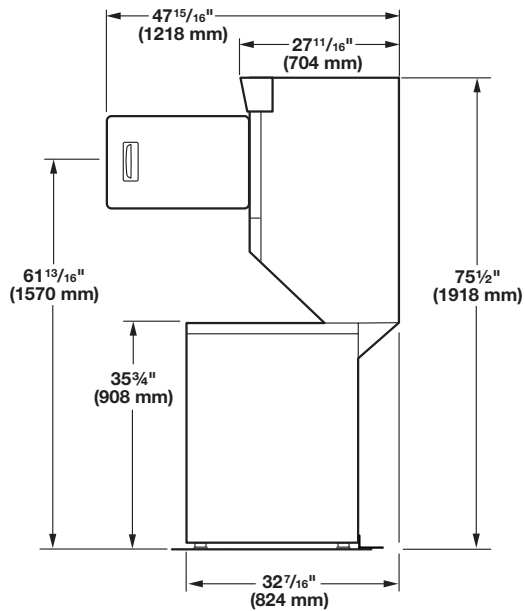
Dimensions/Clearances, 27" (69 cm) Models

Dimensions

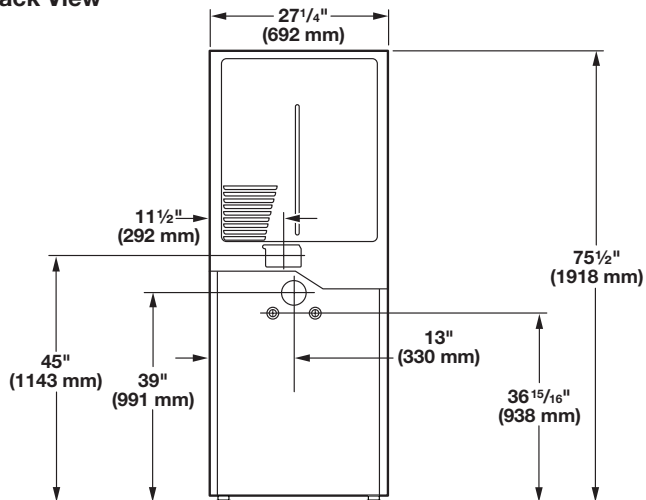
Front View



Side View

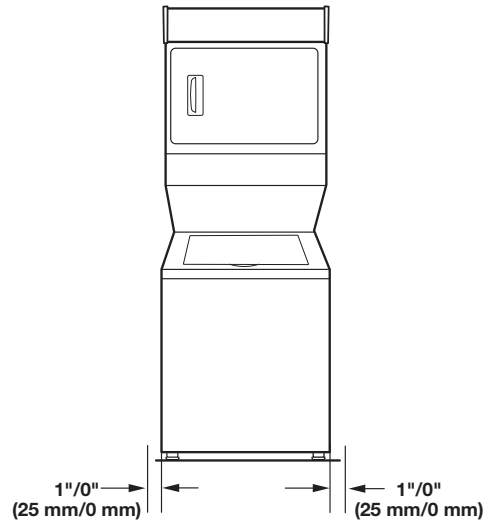


Back View

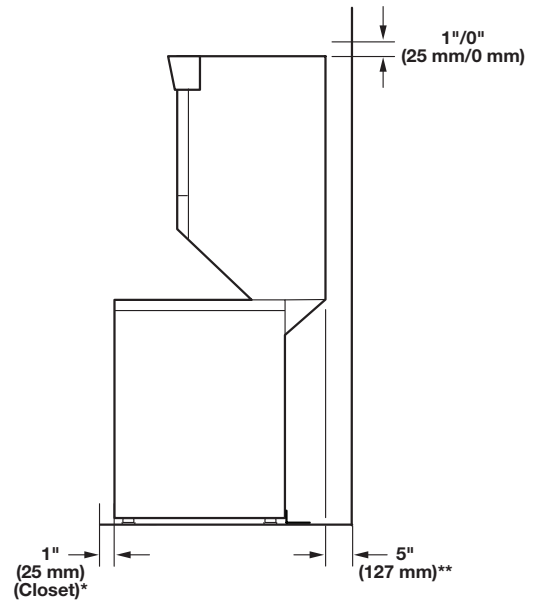


Clearances

Side Clearances (recommended/minimum)



Front/Back/Top Clearances (recommended/minimum)



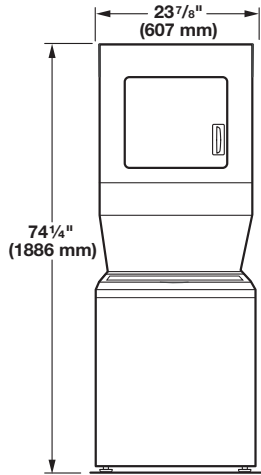
*Required spacing.

**Rear clearance may be 0" (0 mm) when house exhaust system is lined up directly with dryer exhaust.

Dimensions/Clearances, 24" (61 cm) Models

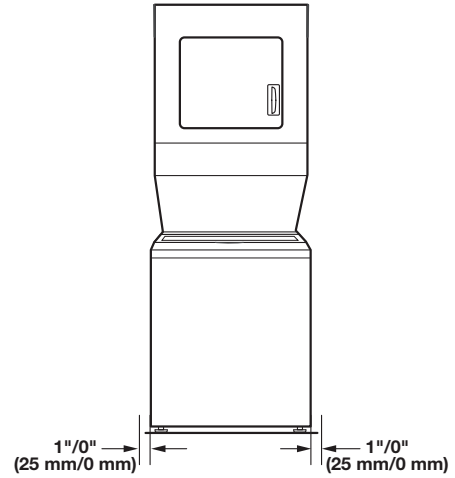
Dimensions

Front View

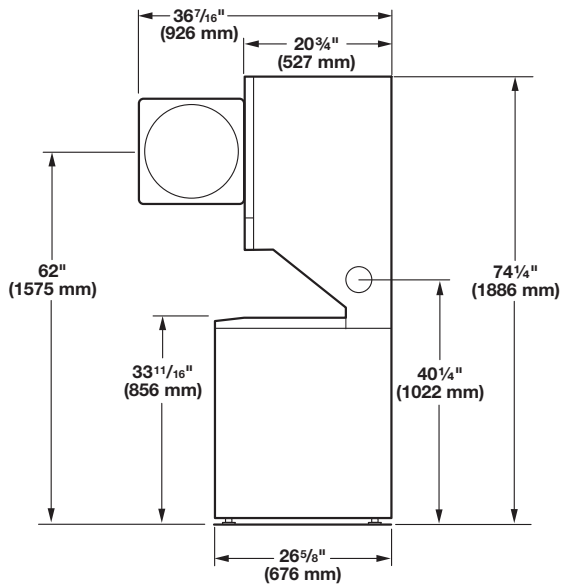


Clearances

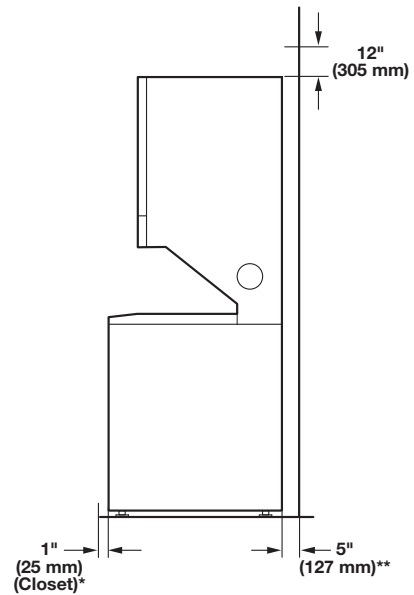
Side Clearances (recommended/minimum)



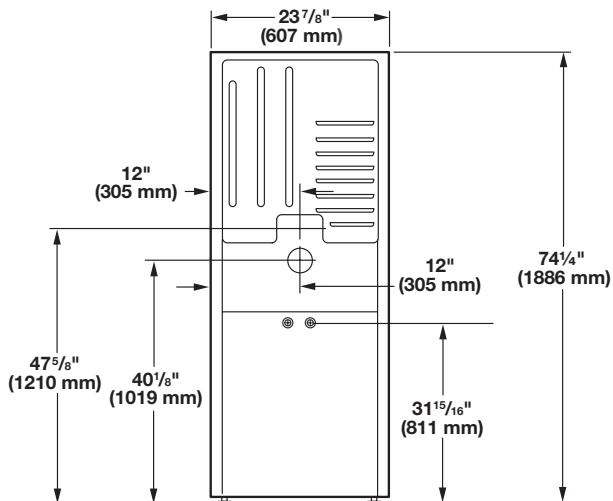
Side View



Front/Back/Top Clearances



Back View



*Required spacing.

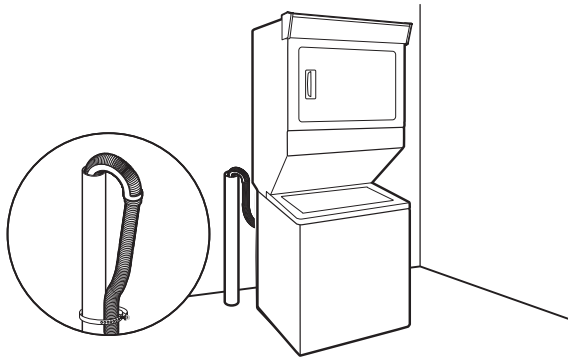
**Rear clearance may be 0" (0 mm) when house exhaust system is lined up directly with dryer exhaust.

Drain System

Drain system can be installed using a floor drain, wall standpipe, floor standpipe, or laundry tub. Select method you need.

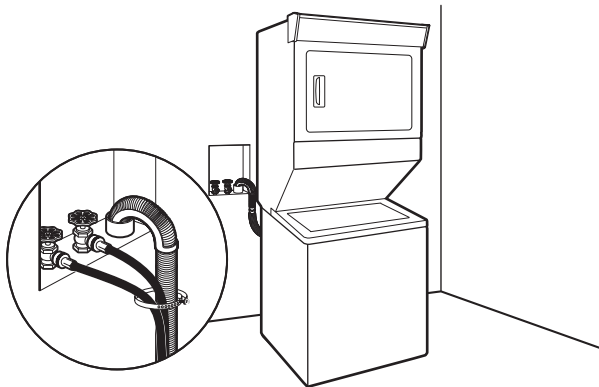
Floor standpipe drain system

Minimum diameter for a standpipe drain: 2" (51 mm). Minimum carry-away capacity: 17 gal. (64 L) per minute. Top of standpipe must be at least 39" (991 mm) high; install no higher than 96" (2.4 m) from bottom of washer/dryer. If you must install higher than 96" (2.4 m), you will need a sump pump system.



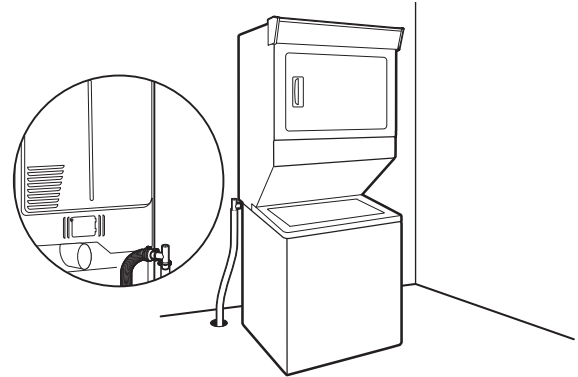
Wall standpipe drain system

See requirements for floor standpipe drain system.



Floor drain system

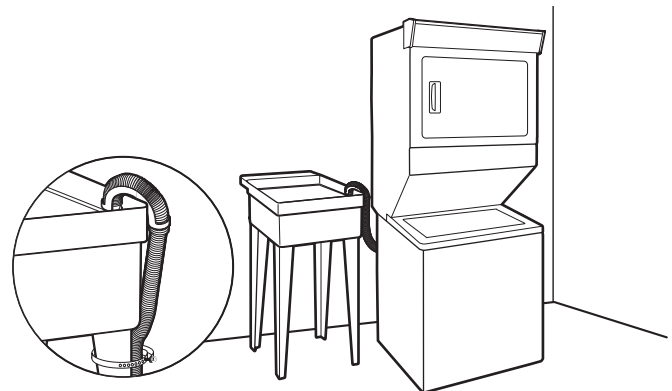
Floor drain system requires a Siphon Break Kit (Part Number 285834), two Connector Kits (Part Number 285385), and an Extension Drain Hose (Part Number 285863) that may be purchased separately. To order, please see toll-free phone numbers in your Use and Care Guide. Minimum siphon break: 28" (710 mm) from bottom of washer/dryer. (Additional hoses may be needed.)



Laundry tub drain system

Minimum capacity: 20 gal. (76 L). Top of laundry tub must be at least 39" (991 mm) above floor on 27" (69 cm) models, or 34" (864 mm) above floor on 24" (61 cm) models; install no higher than 96" (2.4 m) from bottom of washer/dryer.

IMPORTANT: To avoid siphoning, no more than 4.5" (114 mm) of drain hose should be inside standpipe or below the top of wash tub. Secure drain hose with plastic strap.



Electrical Requirements, 240V Electric Models – U.S.A.

⚠ WARNING



Electrical Shock Hazard

Plug into a grounded 3 or 4 prong outlet.

Do not remove ground prong.

Do not use an adapter.

Do not use an extension cord.

Failure to follow these instructions can result in death, fire, or electrical shock.

- It is recommended that a separate circuit breaker serving only this appliance be provided.
- To minimize possible shock hazard, the cord must be plugged into a mating, 3 or 4 prong, grounding-type outlet, grounded in accordance with local codes and ordinances. If a mating outlet is not available, it is the personal responsibility and obligation of the customer to have the properly grounded outlet installed by a qualified electrician.
- If codes permit and a separate ground wire is used, it is recommended that a qualified electrician determine that the ground path is adequate.
- Check with a qualified electrician if you are not sure the washer/dryer is properly grounded.
- Do not have a fuse in the neutral or ground circuit.

It is your responsibility:

- To contact a qualified electrical installer.
- To be sure that the electrical connection is adequate and in conformance with the National Electrical Code, ANSI/NFPA 70 – latest edition and all local codes and ordinances. A copy of the above code standards can be obtained from: National Fire Protection Association, One Batterymarch Park, Quincy, MA 02269.
- To supply the required 3- or 4-wire, single phase, 120/240 volt, 60 Hz., AC only electrical supply (or 3- or 4-wire, 120/208 volt electrical supply, if specified on the serial/rating plate) on a separate 30 amp circuit, fused on both sides of the line. A time-delay fuse or circuit breaker is recommended. Connect to an individual branch circuit.
- Do not use an extension cord.

Electrical Connection

To properly install your washer/dryer, you must determine the type of electrical connection you will be using and follow the instructions provided for it here.

- This washer/dryer is manufactured ready to install with a 3-wire electrical supply connection. The neutral ground wire is permanently connected to the neutral conductor (white wire) within the dryer. If the dryer is installed with a 4-wire electrical supply connection, the neutral ground wire must be removed from the external ground connector (green screw), and secured under the neutral terminal (center or white wire) of the terminal block. When the neutral ground wire is secured under the neutral terminal (center or white wire) of the terminal block, the dryer cabinet is isolated from the neutral conductor.
- If local codes do not permit the connection of a neutral ground wire to the neutral wire, see “Optional 3-wire connection” in the “Electrical Connection” section.
- A 4-wire power supply connection must be used when the appliance is installed in a location where grounding through the neutral conductor is prohibited. Grounding through the neutral is prohibited for (1) new branch-circuit installations, (2) mobile homes, (3) recreational vehicles, and (4) areas where local codes prohibit grounding through the neutral conductors.

If using a power supply cord:

Use a UL Listed power supply cord kit marked for use with clothes dryers. The kit should contain:

- A UL Listed 30 amp power supply cord, rated 120/240 volt minimum. The cord should be type SRD or SRDT and be at least 4 ft (1.22 m) long. The wires that connect to the dryer must end in ring terminals or spade terminals with upturned ends.
- A UL Listed strain relief.

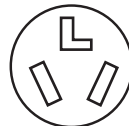
If your outlet looks like this:



4-wire
receptacle
(14-30R)

Then choose a 4-wire power supply cord with ring or spade terminals and UL Listed strain relief. The 4-wire power supply cord, at least 4 ft (1.22 m) long, must have four 10-gauge copper wires and match a 4-wire receptacle of NEMA Type 14-30R. The ground wire (ground conductor) may be either green or bare. The neutral conductor must be identified by a white cover.

If your outlet looks like this:



3-wire
receptacle
(10-30R)

Then choose a 3-wire power supply cord with ring or spade terminals and UL Listed strain relief. The 3-wire power supply cord, at least 4 ft (1.22 m) long, must have three 10-gauge copper wires and match a 3-wire receptacle of NEMA Type 10-30R.

If connecting by direct wire (27" [69 cm] models only):

Power supply cable must match power supply (4-wire or 3-wire) and be:

- Flexible armored cable or nonmetallic sheathed copper cable (with ground wire), covered with flexible metallic conduit. All current-carrying wires must be insulated.
- 10-gauge solid copper wire (do not use aluminum).
- At least 5 ft (1.52 m) long.

GROUNDING INSTRUCTIONS

For a grounded, cord-connected washer/dryer:

This washer/dryer must be grounded. In the event of a malfunction or breakdown, grounding will reduce the risk of electrical shock by providing a path of least resistance for electric current. This washer/dryer is equipped with a cord having an equipment-grounding conductor and a grounding plug. The plug must be plugged into an appropriate outlet that is properly installed and grounded in accordance with all local codes and ordinances.

WARNING: Improper connection of the equipment-grounding conductor can result in a risk of electric shock. Check with a qualified electrician or serviceman if you are in doubt as to whether the appliance is properly grounded.

Do not modify the plug provided with the appliance – if it will not fit the outlet, have a proper outlet installed by a qualified electrician.

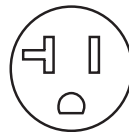
For a permanently connected washer/dryer:

This washer/dryer must be connected to a grounded metal, permanent wiring system, or an equipment grounding conductor must be run with the circuit conductors and connected to the equipment-grounding terminal or lead on the appliance.

SAVE THESE INSTRUCTIONS

Electrical Requirements, 120V Electric Models – U.S.A. and Canada (24" [61 cm] Models Only)

- It is recommended that a separate circuit breaker serving only this appliance be provided.
- 120V models are equipped with a power supply cord having a 3 prong grounding plug intended to be plugged into a 20 amp 5-20R wall receptacle.
- To minimize possible shock hazard, the cord must be plugged into a mating, 3 prong, grounding-type outlet, grounded in accordance with local codes and ordinances. If a mating outlet is not available, it is the personal responsibility and obligation of the customer to have the properly grounded outlet installed by a qualified electrician.
- If codes permit and a separate ground wire is used, it is recommended that a qualified electrician determine that the ground path is adequate.
- Check with a qualified electrician if you are not sure the washer/dryer is properly grounded.
- Do not have a fuse in the neutral or ground circuit.
- 120 volt, 60 Hz, AC only, 20 amp fused electrical supply is required. A time-delay fuse or circuit breaker is recommended.



5-20R
receptacle

It is your responsibility:

- To contact a qualified electrical installer.
- To be sure that the electrical connection is adequate and in conformance with the National Electrical Code, ANSI/NFPA 70 – latest edition or the Canadian Electrical Code, C22.1 – latest edition and all local codes and ordinances.

A copy of the above code standards can be obtained from: National Fire Protection Association, One Batterymarch Park, Quincy, MA 02269 or Canadian Standards Association, 178 Rexdale Blvd., Toronto, ON M9W 1R3 CANADA.

- Do not use an extension cord.

Electrical Requirements, 240V Electric Models – Canada

⚠ WARNING



Electrical Shock Hazard

Plug into a grounded 4 prong outlet.

Failure to do so can result in death or electrical shock.

It is your responsibility:

- To contact a qualified electrical installer.
- To be sure that the electrical connection is adequate and in conformance with Canadian Electrical Code, C22.1 – latest edition and all local codes. A copy of above codes standard may be obtained from: Canadian Standards Association, 178 Rexdale Blvd., Toronto, ON M9W 1R3 CANADA.
- To supply the required 4-wire, single-phase, 120/240 volt, 60 Hz, AC only electrical supply on a separate 30 amp circuit, fused on both sides of the line. A time-delay fuse or circuit breaker is recommended. Connect to an individual branch circuit.
- This dryer is equipped with a UL Listed and/or CSA International Certified Power Cord intended to be plugged into a standard 14-30R wall receptacle. The cord is 5 ft. (1.52 m) long. Be sure wall receptacle is within reach of dryer's final location.



4-wire receptacle
(14-30R)

If using a replacement power supply cord, it is recommended that you use Power Supply Cord Replacement Part Number 9831317.

For further information, please reference service numbers located in "Assistance or Service" section of your Use and Care Guide.

GROUNDING INSTRUCTIONS

- For a grounded, cord-connected washer/dryer: This washer/dryer must be grounded. In the event of malfunction or breakdown, grounding will reduce the risk of electric shock by providing a path of least resistance for electric current. This washer/dryer is equipped with a cord having an equipment-grounding conductor and a grounding plug. The plug must be plugged into an appropriate outlet that is properly installed and grounded in accordance with all local codes and ordinances.

WARNING: Improper connection of the equipment-grounding conductor can result in a risk of electric shock. Check with a qualified electrician or service representative or personnel if you are in doubt as to whether the washer/dryer is properly grounded. Do not modify the plug provided with the washer/dryer: if it will not fit the outlet, have a proper outlet installed by a qualified electrician.

SAVE THESE INSTRUCTIONS

Electrical Requirements, Gas Models (27" [69 cm] Models Only)

⚠ WARNING



Electrical Shock Hazard

Plug into a grounded 3 prong outlet.

Do not remove ground prong.

Do not use an adapter.

Do not use an extension cord.

Failure to follow these instructions can result in death, fire, or electrical shock.

- This washer/dryer is equipped with a power supply cord having a 3-prong grounding plug.
- To minimize possible shock hazard, the cord must be plugged into a mating, 3 prong, grounding-type outlet, grounded in accordance with local codes and ordinances. If a mating outlet is not available, it is the personal responsibility and obligation of the customer to have the properly grounded outlet installed by a qualified electrician.
- If codes permit and a separate ground wire is used, it is recommended that a qualified electrician determine that the ground path is adequate.
- Do not ground to a gas pipe.
- Check with a qualified electrician if you are not sure the washer/dryer is properly grounded.
- Do not have a fuse in the neutral or ground circuit.
- 120 volt, 60 Hz, AC only, 15 or 20 amp fused electrical supply is required. A time-delay fuse or circuit breaker is recommended. It is also recommended that a separate circuit serving only this washer/dryer be provided.

GROUNDING INSTRUCTIONS

- For a grounded, cord-connected washer/dryer: This washer/dryer must be grounded. In the event of malfunction or breakdown, grounding will reduce the risk of electric shock by providing a path of least resistance for electric current. This washer/dryer is equipped with a cord having an equipment-grounding conductor and a grounding plug. The plug must be plugged into an appropriate outlet that is properly installed and grounded in accordance with all local codes and ordinances.

WARNING: Improper connection of the equipment-grounding conductor can result in a risk of electric shock. Check with a qualified electrician or service representative or personnel if you are in doubt as to whether the washer/dryer is properly grounded. Do not modify the plug provided with the washer/dryer: if it will not fit the outlet, have a proper outlet installed by a qualified electrician.

SAVE THESE INSTRUCTIONS

Gas Supply Requirements, Gas Models (27" [69 cm] Models Only)

⚠ WARNING



Explosion Hazard

Use a new CSA International approved gas supply line.

Install a shut-off valve.

Securely tighten all gas connections.

If connected to propane, have a qualified person make sure gas pressure does not exceed 13" (330 mm) water column.

Examples of a qualified person include:

**licensed heating personnel,
authorized gas company personnel, and
authorized service personnel.**

Failure to do so can result in death, explosion, or fire.

GAS TYPE

Natural Gas:

This washer/dryer is equipped for use with natural gas. It is certified by UL for use with propane gas with appropriate conversion.

- Your washer/dryer must have the correct burner for the type of gas in your home. Burner information is located on the rating plate in the door well of your dryer. If this information does not agree with the type of gas available, contact your dealer or call the phone numbers referenced in the "Assistance or Service" section of your Use and Care Guide.

Propane Gas Conversion:

IMPORTANT: Conversion must be made by a qualified technician.

No attempt shall be made to convert the appliance from the gas specified on the model/serial rating plate for use with a different gas without consulting your gas company.

GAS SUPPLY LINE

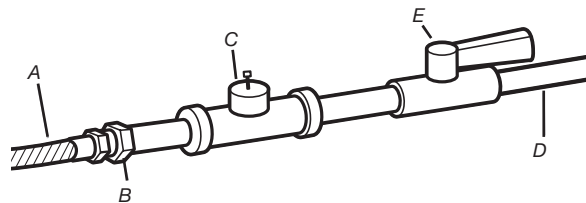
- Must include 1/8" NPT minimum plugged tapping accessible for test gauge connection, immediately upstream of the gas connection to the washer/dryer. See illustration below.
- 1/2" IPS pipe is recommended.
- Must include shut-off valve:

In the U.S.A.:

An individual manual shut-off valve must be installed within six (6) ft. (1.8 m) of the washer/dryer in accordance with the National Fuel Gas Code, ANSI Z223.1. The location should be easy to reach for opening and closing.

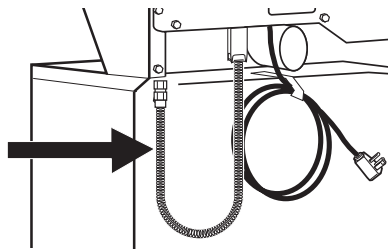
In Canada:

An individual manual shut-off valve must be installed in accordance with the B149.1, Natural Gas and Propane Installation Code. It is recommended that an individual manual shut-off valve be installed within six (6) ft. (1.8 m) of the washer/dryer. The location should be easy to reach for opening and closing.



- A. 3/8" flexible gas connector
- B. 1/2" NPT adapter
- C. 1/8" NPT minimum plugged tapping
- D. 1/2" NPT gas supply line
- E. Gas shut-off valve

This washer/dryer is equipped with its own permanent, flexible gas connector, design-certified by CSA International, for connecting the washer/dryer to the gas supply line.



Flexible gas connector

DRYER GAS CONNECTION

Option 1

Rigid gas supply line:

- Connect your washer/dryer to the rigid gas supply line using the 1/2" NPT adapter between the gas supply line and the flexible gas connector on the washer/dryer.

Option 2

Approved aluminum or copper tubing:

- 3/8" approved aluminum or copper tubing is acceptable for lengths under 20 ft. (6.1 m) if local codes and gas supplier permit.
- If you are using natural gas, do not use copper tubing.
- Lengths over 20 ft. (6.1 m) should use larger tubing and a different size adapter fitting.
- If your washer/dryer has been converted to use propane gas, 3/8" propane compatible copper tubing can be used. If the total length of the supply line is more than 20 ft. (6.1 m), use larger pipe.

NOTE: Pipe-joint compounds that resist the action of propane gas must be used. Do not use TEFLON[†] tape.

[†]TEFLON is a registered trademark of Chemours.

GAS SUPPLY CONNECTION REQUIREMENTS

- Use the 1/2" NPT adapter between the gas supply line and the flexible gas connector on the washer/dryer.
- Use only pipe-joint compound. Do not use TEFLON[®] tape.

BURNER INPUT REQUIREMENTS

Elevations up to 10,000 ft (3,048 meters):

- The design of this washer/dryer is certified by CSA International for use at altitudes up to 10,000 ft (3,048 m) above sea level at the Btu rating indicated on the model/serial number plate. Burner input adjustments are not required when the washer/dryer is operated up to this elevation.

Elevations above 10,000 ft (3,048 meters):

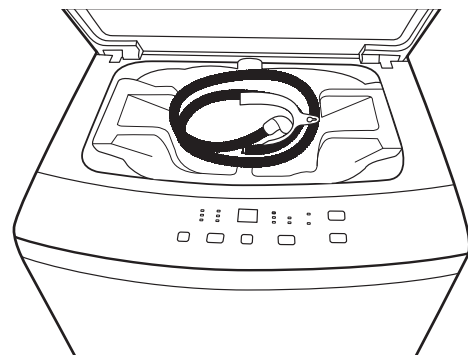
- When installed above 10,000 ft. (3,048 m), a 4% reduction of the burner Btu rating shown on the model/serial number plate is required for each 1,000 ft. (305 m) increase in elevation.

Gas supply pressure testing

- The washer/dryer must be disconnected from the gas supply piping system during pressure testing at pressures greater than 1/2 psi.

Remove Foam Packing (24" [61 cm] models)

1. Pull foam packing ring out of washer



Open the washer lid. The latch under the dryer will keep the lid open. Pull the foam packing ring and drain hose out of the washer.

NOTE: Keep the foam ring and use it when transporting your washer/dryer. This packing material is used to keep the washer tub stable during transport.

Electrical Connection, 27" (69 cm) Electric Models (U.S.A. Only)

Power Supply Cord

⚠ WARNING



Fire Hazard

- Use a new UL listed 30 amp power supply cord.
- Use a UL listed strain relief.
- Disconnect power before making electrical connections.
- Connect neutral wire (white or center wire) to center terminal.
- Ground wire (green or bare wire) must be connected to green ground connector.
- Connect remaining 2 supply wires to remaining 2 terminals (gold).
- Securely tighten all electrical connections.
- Failure to do so can result in death, fire, or electrical shock.

Direct Wire

⚠ WARNING



Fire Hazard

- Use 10 gauge copper wire.
- Use a UL listed strain relief.
- Disconnect power before making electrical connections.
- Connect neutral wire (white or center wire) to center terminal.
- Ground wire (green or bare wire) must be connected to green ground connector.
- Connect remaining 2 supply wires to remaining 2 terminals (gold).
- Securely tighten all electrical connections.
- Failure to do so can result in death, fire, or electrical shock.

Electrical Connection Options

1. Choose electrical connection type



Power supply cord 4-wire receptacle (NEMA Type 14-30R): Go to "4-Wire Power Supply Cord Connection." Then, go to "Venting Requirements."



Power supply cord 3-wire receptacle (NEMA Type 10-30R): Go to "3-Wire Power Supply Cord Connection." Then go to "Venting Requirements."



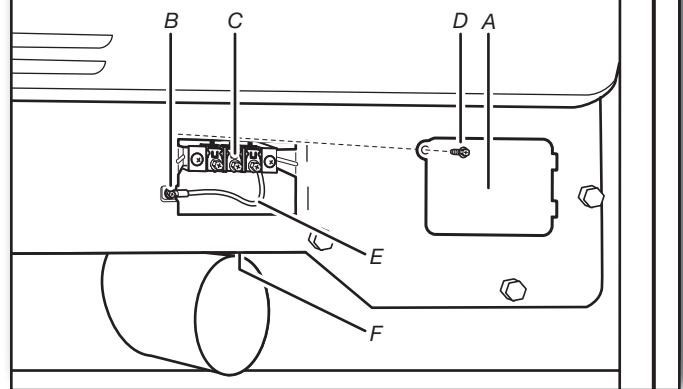
4-wire direct connection: Go to "4-Wire Direct Wire Connection." Then go to "Venting Requirements."



3-wire direct connection: Go to "3-Wire Direct Wire Connection." Then go to "Venting Requirements."

NOTE: If local codes do not permit connection of a cabinet-ground conductor to neutral wire, go to "Optional 3-Wire Connection." This connection may be used with either a power supply cord or a direct wire connection.

2. Remove terminal block cover



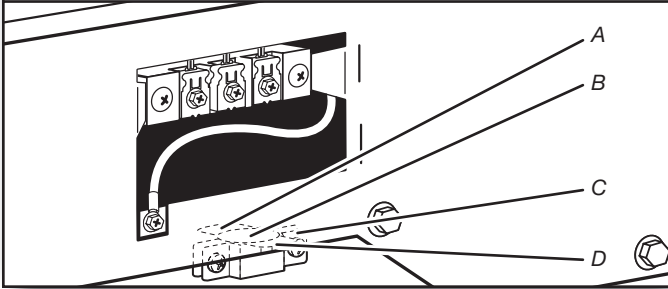
Before you start, disconnect power. Remove hold-down screw (D) and terminal block cover (A).

- A. Terminal block cover
- B. External ground conductor screw
- C. Center terminal block screw
- D. Hold-down screw
- E. Neutral ground wire
- F. Hole below terminal block cover

Power Supply Cord Connection

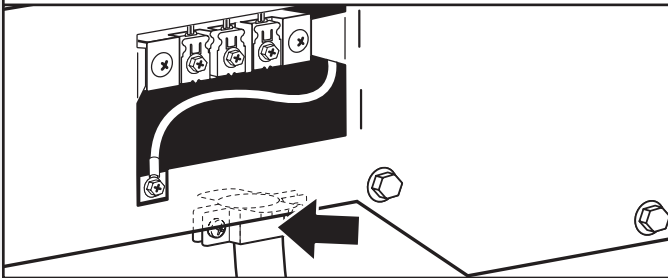
Power Supply Cord Strain Relief

1. Attach power supply cord strain relief



Remove the screws from a 3/4" (19 mm) UL Listed strain relief. Put the tabs of the two clamp sections (C) into the hole below the terminal block opening (B) so that one tab is pointing up (A) and the other is pointing down (D), and hold in place. Tighten strain relief screws just enough to hold the two clamp sections (C) together.

2. Attach power supply cord to strain relief



Put power supply cord through the strain relief. Be sure that the wire insulation on the power supply cord is inside the strain relief. The strain relief should have a tight fit with the dryer cabinet and be in a horizontal position. Do not further tighten strain relief screws at this point.

If your outlet looks like this:



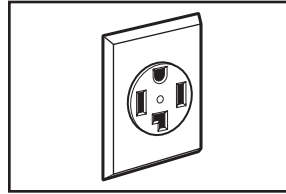
Power supply cord 4-wire receptacle (NEMA Type 14-30R):
Go to "4-Wire Power Supply Cord Connection" on this page.



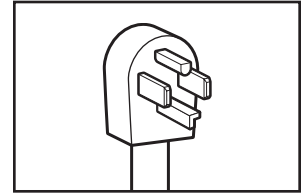
Power supply cord 3-wire receptacle (NEMA Type 10-30R):
Go to "3-Wire Power Supply Cord Connection" on page 17.

4-Wire Power Supply Cord Connection

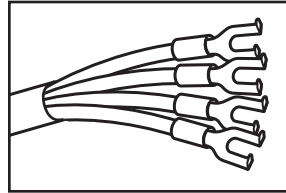
IMPORTANT: A 4-wire connection is required for mobile homes and where local codes do not permit the use of 3-wire connections.



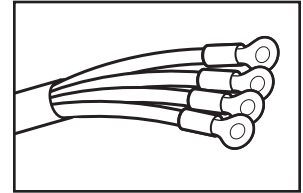
4-wire receptacle (NEMA type 14-30R)



4 prong plug

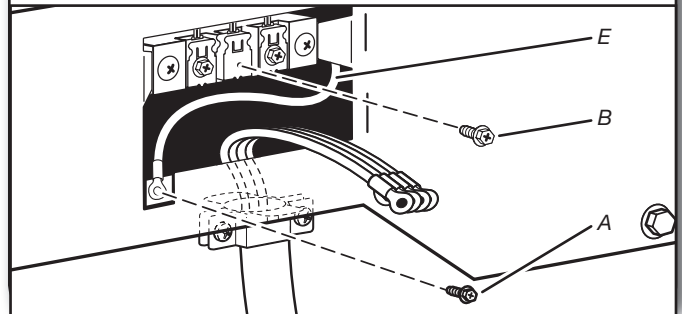


Spade terminals with upturned ends



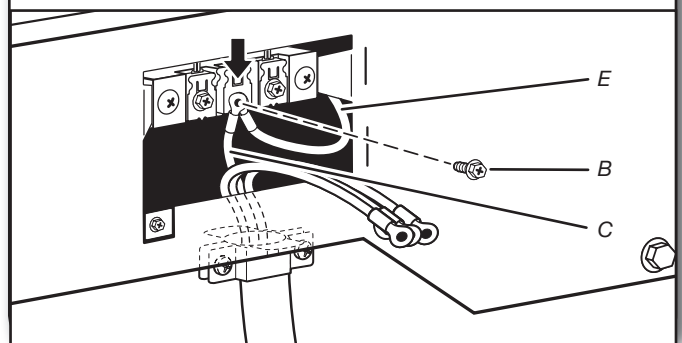
Ring terminals

1. Prepare to connect neutral ground wire and neutral wire



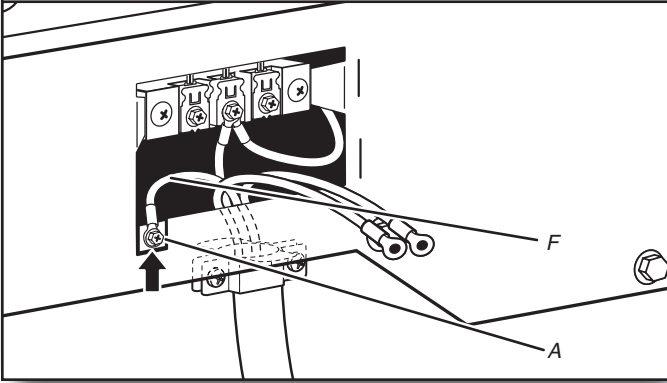
Remove center terminal block screw (B). Remove neutral ground wire (E) from external ground conductor screw (A).

2. Connect neutral ground wire and neutral wire



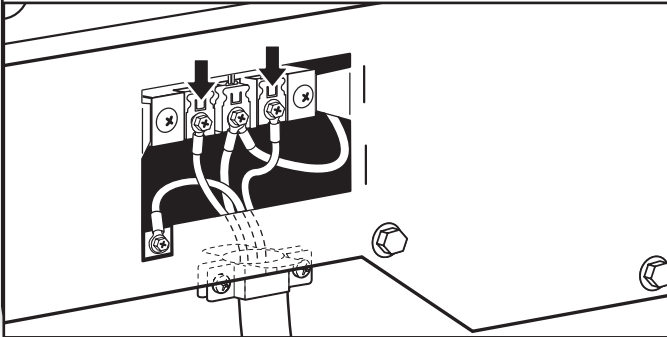
Connect neutral ground wire (E) and neutral wire (white or center) (C) of power supply cord under center terminal block screw (B). Tighten screw.

3. Connect ground wire



Connect ground wire (F) (green or bare) of power supply cord to external ground conductor screw (A). Tighten screw.

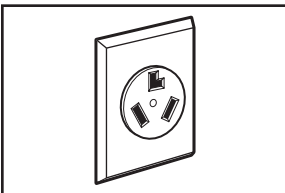
4. Connect remaining wires



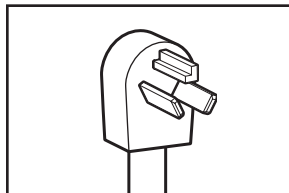
Connect remaining wires to outer terminal block screws. Tighten screws. Finally, reinsert tab of terminal block cover into slot of dryer rear panel. Secure cover with hold-down screw. Now, go to "Venting Requirements."

3-Wire Power Supply Cord Connection

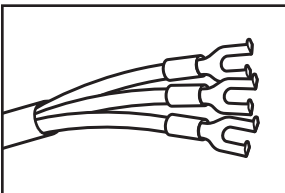
IMPORTANT: Use where local codes permit connecting cabinet-ground conductor to neutral wire.



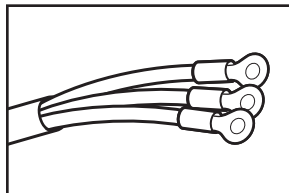
3-wire receptacle
(NEMA type 10-30R)



3 prong plug

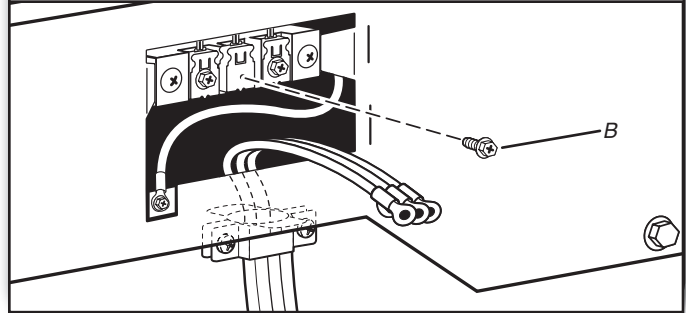


Spade terminals
with upturned ends



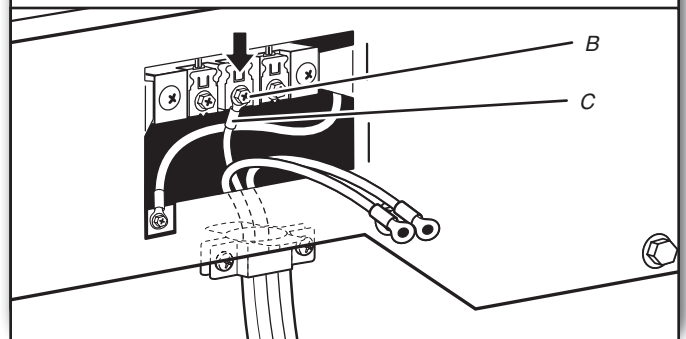
Ring terminals

1. Remove center screw



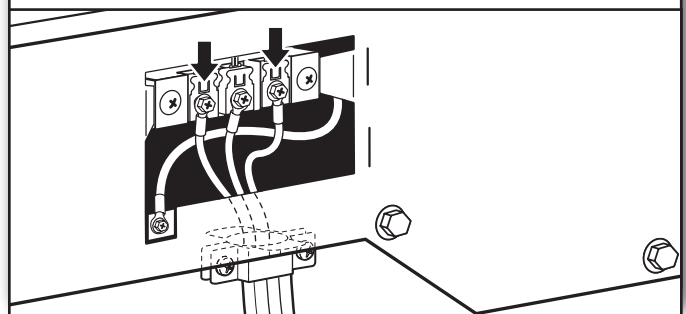
Remove center terminal block screw (B).

2. Connect neutral wire



Connect neutral wire (white or center) (C) of power supply cord to center terminal block screw (B). Tighten screw.

3. Connect remaining wires

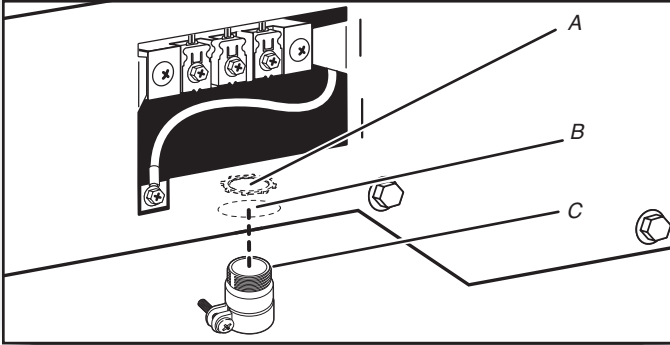


Connect remaining wires to outer terminal block screws. Tighten screws. Finally, reinsert tab of terminal block cover into slot of dryer rear panel. Secure cover with hold-down screw. Now, go to "Venting Requirements."

Direct Wire Connection

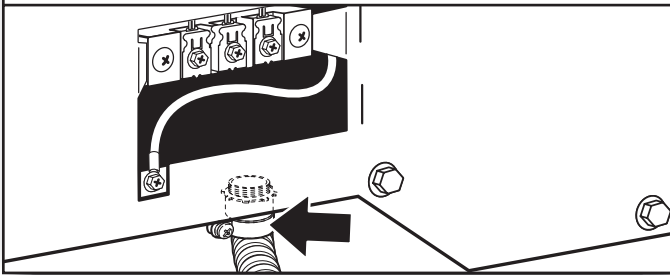
Direct Wire Strain Relief

1. Attach direct wire strain relief



Unscrew the removable conduit connector (A) and any screws from a 3/4" (19 mm) UL Listed strain relief. Put the threaded section of the strain relief (C) through the hole below the terminal block opening (B). Reaching inside the terminal block opening, screw the removable conduit connector (A) onto the strain relief threads.

2. Attach direct wire cable to strain relief



Put direct wire cable through the strain relief. The strain relief should have a tight fit with the dryer cabinet and be in a horizontal position. Tighten strain relief screw against the direct wire cable.

If your wiring looks like this:



4-wire direct wire connection:
Go to "4-Wire Direct Wire Connection"
on this page.

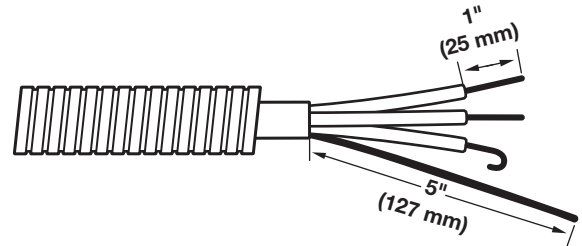


3-wire direct wire connection:
Go to "3-Wire Direct Wire Connection"
on page 19.

4-Wire Direct Wire Connection

IMPORTANT: A 4-wire connection is required for mobile homes and where local codes do not permit 3-wire connections.

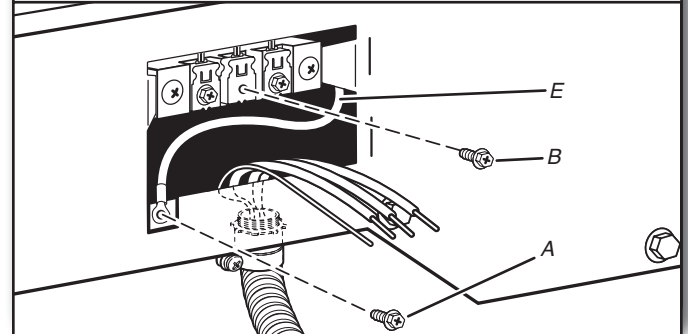
1. Prepare your 4-wire cable for direct connection



Direct wire cable must have 5 ft. (1.52 m) of extra length so washer/dryer may be moved if needed.

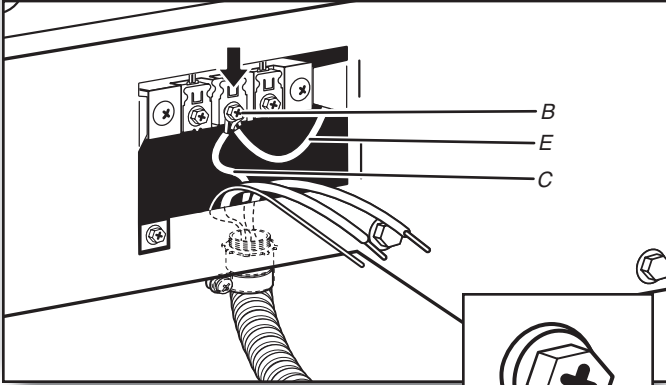
Strip 5" (127 mm) of outer covering from end of cable, leaving bare ground wire at 5" (127 mm). Cut 1½" (38 mm) from remaining 3 wires. Strip insulation back 1" (25 mm). Shape ends of wires into hooks.

2. Prepare to connect neutral ground wire and neutral wire



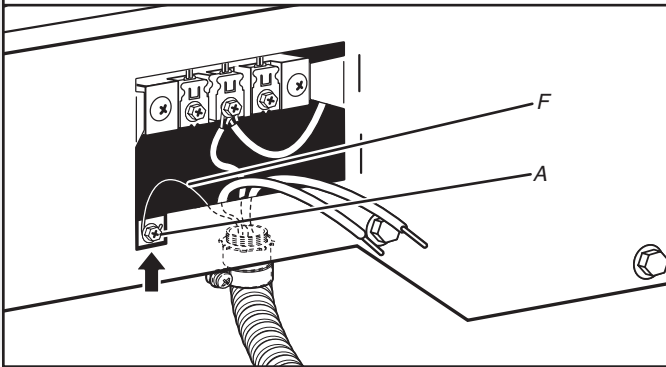
Remove center terminal block screw (B). Remove neutral ground wire (E) from external ground conductor screw (A).

3. Connect neutral ground wire and neutral wire



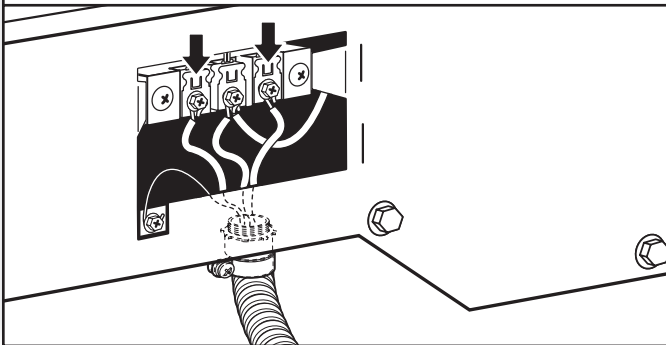
Connect neutral ground wire (E) and place hooked end (hook facing right) of neutral wire (white or center wire) (C) of direct wire cable under center screw of terminal block (B). Squeeze hooked ends together and tighten screw.

4. Connect ground wire



Connect ground wire (green or bare) (F) of direct wire cable to external ground conductor screw (A). Tighten screw.

5. Connect remaining wires

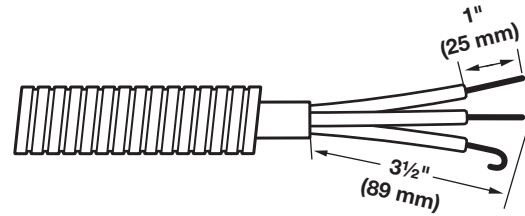


Place hooked ends of remaining direct wire cable wires under outer terminal block screws (hooks facing right). Squeeze hooked ends together and tighten screws. Finally, reinsert tab of terminal block cover into slot of dryer rear panel. Secure cover with hold-down screw. Now, go to "Venting Requirements."

3-Wire Direct Wire Connection

IMPORTANT: Use where local codes permit connecting cabinet-ground conductor to neutral wire.

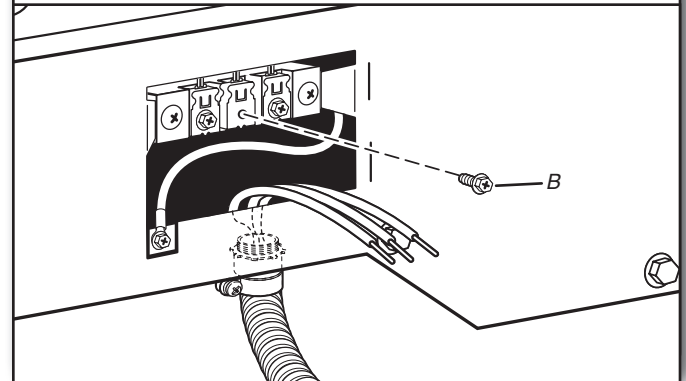
1. Prepare your 3-wire cable for direct connection



Direct wire cable must have 5 ft. (1.52 m) of extra length so washer/dryer may be moved if needed.

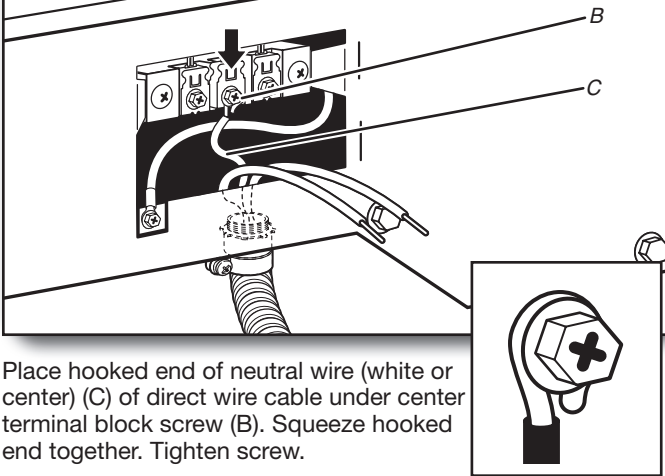
Strip 3 1/2" (89 mm) of outer covering from end of cable. Strip insulation back 1" (25 mm). If using 3-wire cable with ground wire, cut bare wire even with outer covering. Shape wire ends into hooks.

2. Remove center screw



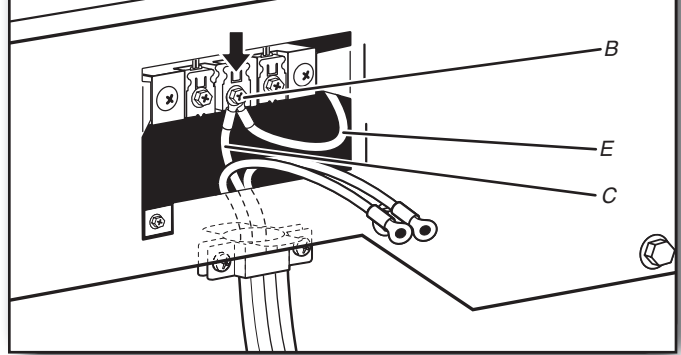
Remove center terminal block screw (B).

3. Connect neutral wire



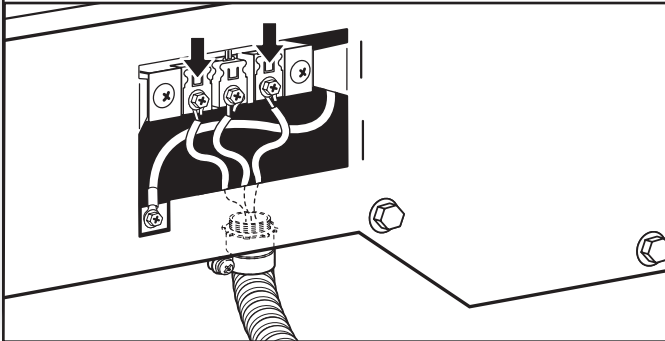
Place hooked end of neutral wire (white or center) (C) of direct wire cable under center terminal block screw (B). Squeeze hooked end together. Tighten screw.

2. Connect neutral ground wire and neutral wire



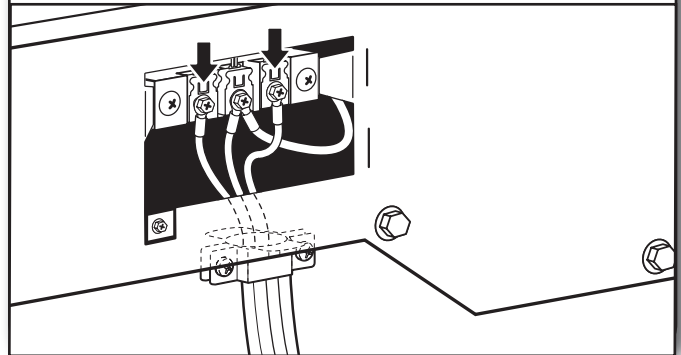
Connect neutral ground wire (E) and neutral wire (white or center wire) (C) of power supply cord or cable under center terminal block screw (B). Tighten screw.

4. Connect remaining wires



Place hooked ends of remaining direct wire cable wires under outer terminal block screws (hooks facing right). Squeeze hooked ends together and tighten screws. Finally, reinsert tab of terminal block cover into slot of dryer rear panel. Secure cover with hold-down screw. Now, go to "Venting Requirements."

3. Connect remaining wires

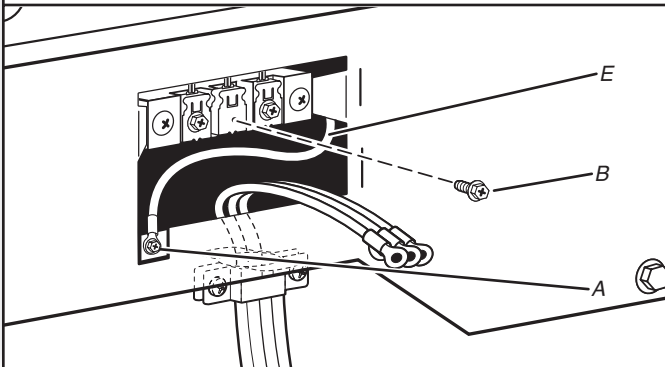


Place remaining wires under outer terminal block screws (hooks facing right). Tighten screws.

Optional 3-Wire Connection

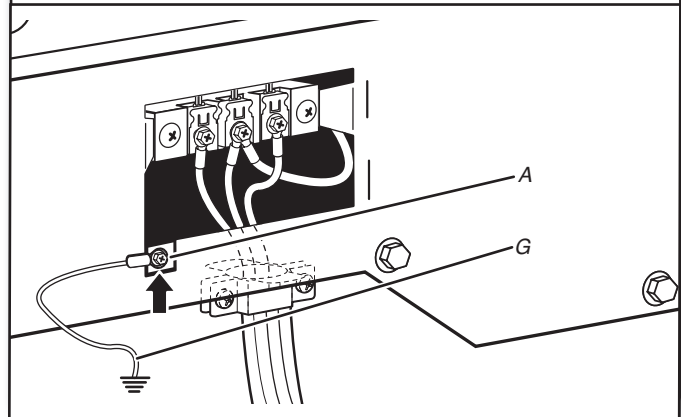
IMPORTANT: You must verify with a qualified electrician that this grounding method is acceptable before connecting.

1. Prepare to connect neutral ground wire and neutral wire



Remove center terminal block screw (B). Remove neutral ground wire (E) from external ground conductor screw (A).

4. Connect external ground wire



Connect a separate copper ground wire (G) from the external ground conductor screw (A) to an adequate ground. Finally, reinsert tab of terminal block cover into slot of dryer rear panel. Secure cover with hold-down screw. Now, go to "Venting Requirements."

Electrical Connection, 24" (61 cm) 240V Electric Models (U.S.A. Only)

Power Supply Cord

WARNING



Fire Hazard

Use a new UL listed 30 amp power supply cord.

Use a UL listed strain relief.

Disconnect power before making electrical connections.

Connect neutral wire (white or center wire) to center terminal.

Ground wire (green or bare wire) must be connected to green ground connector.

Connect remaining 2 supply wires to remaining 2 terminals (gold).

Securely tighten all electrical connections.

Failure to do so can result in death, fire, or electrical shock.

Electrical Connection Options

1. Choose electrical connection type



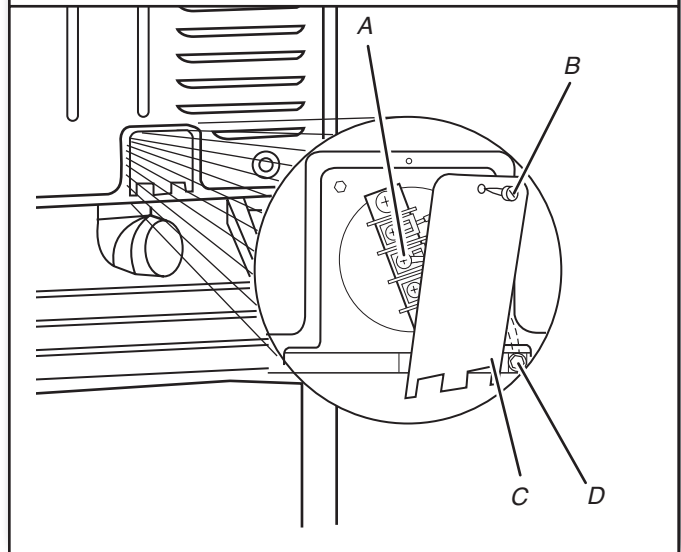
Power supply cord 4-wire receptacle (NEMA Type 14-30R): Go to "4-Wire Power Supply Cord Connection." Then, go to "Venting Requirements."



Power supply cord 3-wire receptacle (NEMA Type 10-30R): Go to "3-Wire Power Supply Cord Connection." Then go to "Venting Requirements."

NOTE: If local codes do not permit connection of a cabinet-ground conductor to neutral wire, go to "Optional 3-Wire Connection."

2. Remove terminal block cover



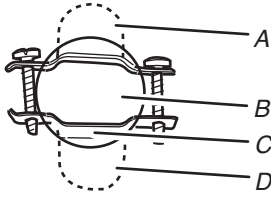
Before you start, disconnect power. Remove hold-down screw (B) and terminal block cover (C).

- A. Center terminal block screw
- B. Hold-down screw
- C. Terminal block cover
- D. External ground conductor screw

Power Supply Cord Connection

Power Supply Cord Strain Relief

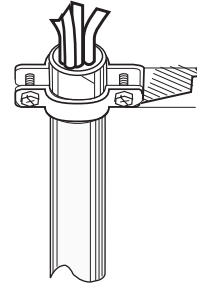
1. Attach power supply cord strain relief



Remove the screws from a 3/4" (19 mm) UL Listed strain relief. Put the tabs of the two clamp sections (C) into the hole below the terminal block opening (B) so that one tab is pointing up (A) and the other is pointing down (D), and hold in place. Tighten strain relief screws just enough to hold the two clamp sections (C) together.

- A. Strain relief tab pointing up
- B. Hole below terminal block opening
- C. Clamp section
- D. Strain relief tab pointing down

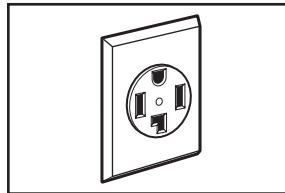
2. Attach power supply cord to strain relief



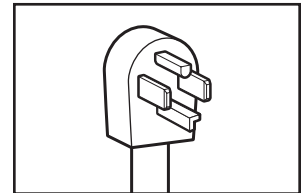
Put power supply cord through the strain relief. Be sure that the wire insulation on the power supply cord is inside the strain relief. The strain relief should have a tight fit with the dryer cabinet and be in a horizontal position. Do not further tighten strain relief screws at this point.

4-Wire Power Supply Cord Connection

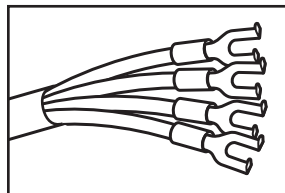
IMPORTANT: A 4-wire connection is required for mobile homes and where local codes do not permit the use of 3-wire connections.



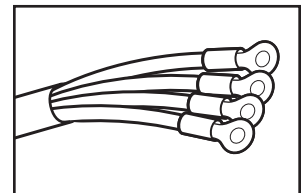
4-wire receptacle
(NEMA type 14-30R)



4 prong plug

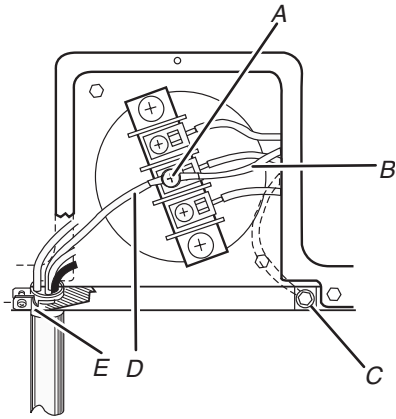


Spade terminals
with upturned ends



Ring terminals

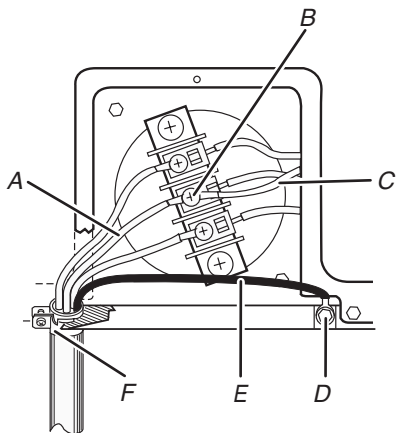
1. Connect neutral ground wire and neutral wire



Remove center terminal block screw. Remove neutral ground wire from external ground conductor screw. Connect neutral ground wire and the neutral wire (white or center wire) of power supply cord under center terminal block screw. Tighten screw.

- A. Center terminal block screw
- B. Neutral ground wire
- C. External ground conductor screw – Dotted line shows position of NEUTRAL ground wire before being moved to center terminal block screw.
- D. Neutral wire (white or center wire)
- E. 3/4" (19 mm) UL Listed strain relief

2. Connect ground wire



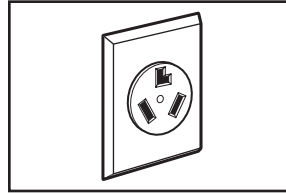
Connect ground wire (green or bare) of power supply cord to external ground conductor screw. Tighten screw.

- A. Neutral wire (white or center wire)
- B. Center terminal block screw
- C. Neutral ground wire
- D. External ground conductor screw
- E. Ground wire (green or bare) of power supply cord
- F. 3/4" (19 mm) UL Listed strain relief

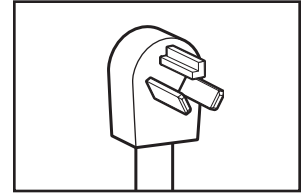
Connect the other wires to outer terminal block screws. Tighten screws. Tighten strain relief screws. Insert tab of terminal block cover into slot of dryer rear panel. Secure cover with hold-down screw. Now go to "Venting Requirements."

3-Wire Power Supply Cord Connection

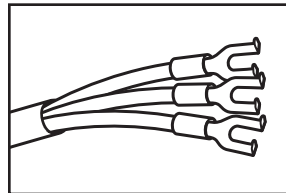
IMPORTANT: Use where local codes permit connecting cabinet-ground conductor to neutral wire.



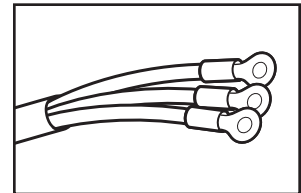
3-wire receptacle
(NEMA type 10-30R)



3 prong plug

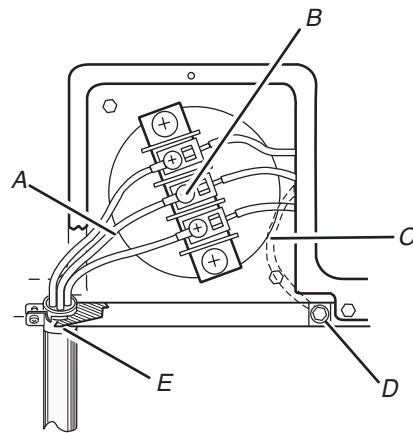


Spade terminals
with upturned ends



Ring terminals

1. Connect neutral wire



Loosen or remove center terminal block screw. Connect neutral wire (white or center wire) of power supply cord to the center terminal screw of the terminal block. Tighten screw.

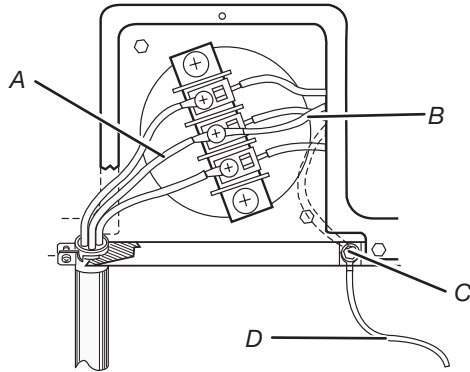
- A. Neutral wire (white or center wire)
- B. Center terminal block screw
- C. Neutral ground wire
- D. External ground conductor screw
- E. 3/4" (19 mm) UL Listed strain relief

Connect the other wires to outer terminal block screws. Tighten screws. Tighten strain relief screws. Insert tab of terminal block cover into slot of dryer rear panel. Secure cover with hold-down screw. Now go to "Venting Requirements."

Optional 3-Wire Connection

Use for power supply cord where local codes do not permit connecting cabinet-ground conductor to neutral wire.

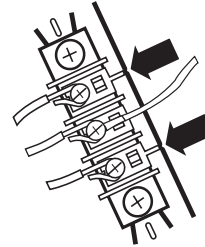
1. Connect neutral ground wire and neutral wire



Remove center terminal block screw. Remove neutral ground wire from external ground conductor screw. Connect neutral ground wire and the neutral wire (white or center wire) of power supply cord under center terminal block screw. Tighten screw.

- A. Neutral wire (white or center wire)
- B. Neutral ground wire
- C. External ground conductor screw – Dotted line shows position of NEUTRAL ground wire before being moved to center terminal block screw.
- D. Grounding path determined by a qualified electrician

2. Connect remaining wires and connect separate ground wire



Connect the other wires to outer terminal block screws. Tighten screws. Tighten strain relief screws. Connect a separate copper ground wire from the external ground conductor screw to an adequate ground. Insert tab of terminal block cover into slot of dryer rear panel. Secure cover with hold-down screw. Now go to "Venting Requirements."

Venting

Venting Requirements

⚠ WARNING



Fire Hazard

Use a heavy metal vent.

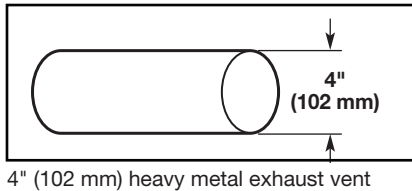
Do not use a plastic vent.

Do not use a metal foil vent.

Failure to follow these instructions can result in death or fire.

WARNING: To reduce the risk of fire, this dryer MUST BE EXHAUSTED OUTDOORS.

IMPORTANT: Observe all governing codes and ordinances. Dryer exhaust must not be connected into any gas vent, chimney, wall, ceiling, attic, crawlspace, or a concealed space of a building. Only rigid or flexible metal vent shall be used for exhausting.



- Only a 4" (102 mm) heavy metal exhaust vent and clamps may be used.
- Do not use plastic or metal foil vent.

Rigid metal vent:

- Recommended for best drying performance and to avoid crushing and kinking.

Flexible metal vent: (Acceptable only if accessible to clean)

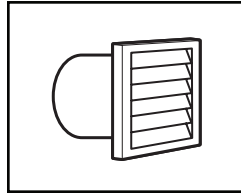
- Must be fully extended and supported in final dryer location.
- Remove excess to avoid sagging and kinking that may result in reduced airflow and poor performance.
- Do not install in enclosed walls, ceilings, or floors.
- The total length should not exceed 7¾ ft. (2.4 m).

NOTE: If using an existing vent system, clean lint from entire length of the system and make sure exhaust hood is not plugged with lint. Replace plastic or metal foil vents with rigid metal or flexible metal vents. Review "Vent System Chart" and, if necessary, modify existing vent system to achieve best drying performance.

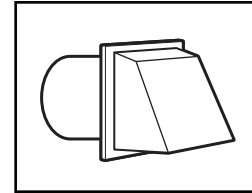
Exhaust hoods:

- Must be at least 12" (305 mm) from ground or any object that may obstruct exhaust (such as flowers, rocks, bushes, or snow).

Recommended Styles:

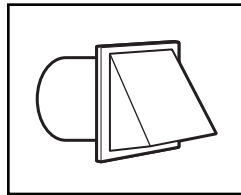


Louvered hood



Box hood

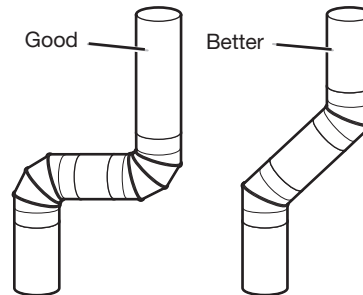
Acceptable Style:



Angled hood

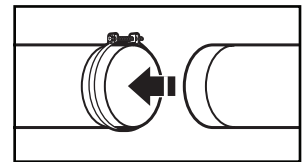
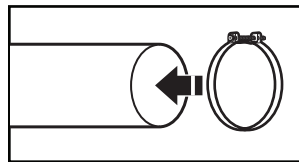
Elbows:

- 45° elbows provide better airflow than 90° elbows.



Clamps:

- Use clamps to seal all joints.
- Exhaust vent must not be connected or secured with screws or other fastening devices that extend into interior of duct and catch lint. Do not use duct tape.



Improper venting can cause moisture and lint to collect indoors, which may result in:

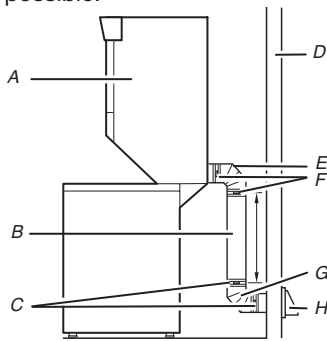
- Moisture damage to woodwork, furniture, paint, wallpaper, carpets, etc.
- Housecleaning problems and health problems.

See "Venting Kits" for more information.

Plan Vent System

Recommended exhaust installations

Typical installations vent the washer/dryer from the rear. Other installations are possible.




- | | |
|---------------------------------------|-----------------|
| A. Dryer | E. Elbow |
| B. Rigid metal or flexible metal vent | F. Clamps |
| C. Clamps | G. Elbow |
| D. Wall | H. Exhaust hood |

Optional exhaust installations:

24" (61 cm) washer/dryer models can be converted to exhaust out the right or left side. To convert the washer/dryer, use Side Exhaust Kit Part Number 279823. If your washer/dryer was previously exhausted from the right or left side, it can be converted to rear exhaust by using standard offset connections. To cover the hole in the side, the following plug can be added: 692790 (white)

Follow the instructions in the kit to install. The kit is available from the dealer from whom you purchased your washer/dryer.

⚠ WARNING

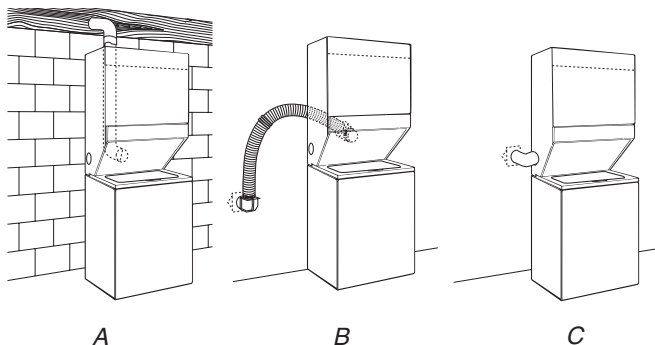


Fire Hazard

Cover unused exhaust holes with a manufacturer's exhaust cover kit.

Contact your local dealer.

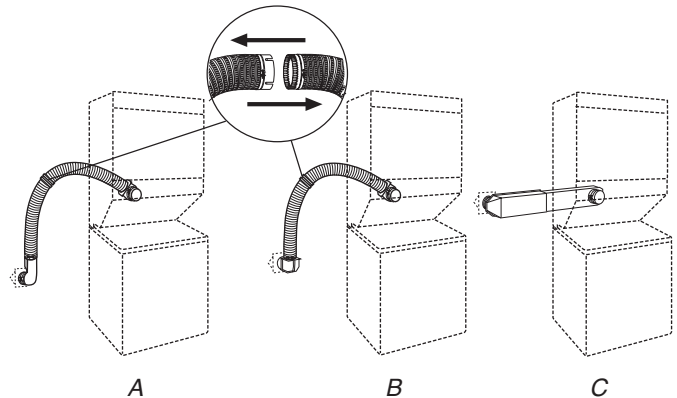
Failure to follow these instructions can result in death, fire, electrical shock, or serious injury.



- | |
|---|
| A. Standard rear offset exhaust installation |
| B. Rear exhaust for offset close-clearance connection |
| C. Left- or right-side exhaust installation (24" [61 cm] models only) |

Alternate installations for close clearances

Venting systems come in many varieties. Select the type best for your installation. Three close-clearance installations are shown. Refer to the manufacturer's instructions.



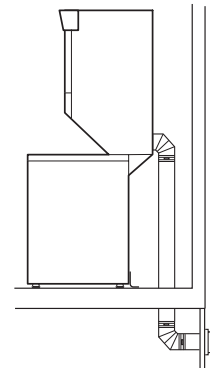
- | |
|--|
| A. Loop system with standard elbows |
| B. Loop system with one offset and one standard elbow |
| C. Vent system with one periscope (2" [51 mm] clearance) |

Venting Kits

For more information, call **1-866-698-2538**, or visit us at www.whirlpool.com. In Canada, call **1-800-688-2002** or visit us at www.whirlpool.ca.

Special provisions for mobile home installations:

The exhaust vent must be securely fastened to a noncombustible portion of the mobile home structure and must not terminate beneath the mobile home. Terminate the exhaust vent outside.



Determine vent path:

- Select route that will provide straightest and most direct path outdoors.
- Plan installation to use fewest number of elbows and turns.
- When using elbows or making turns, allow as much room as possible.
- Bend vent gradually to avoid kinking.
- Use as few 90° turns as possible.

Install Vent System

Determine vent length and elbows needed for best drying performance:

- Use following Vent System Chart to determine type of vent material and hood combinations acceptable to use.

NOTE: Do not use vent runs longer than those specified in Vent System Chart. Exhaust systems longer than those specified will:

- Shorten life of dryer.
- Reduce performance, resulting in longer drying times and increased energy usage.

The Vent System Chart provides venting requirements that will help achieve best drying performance.

Vent System Chart, 27" (69 cm) Models

Number of 90° turns or elbows	Type of vent	Angled hoods
0	Rigid metal	35 ft. (10.7 m)
1	Rigid metal	27 ft. (8.2 m)
2	Rigid metal	19 ft. (5.8 m)

Vent System Chart, 24" (61 cm) Models

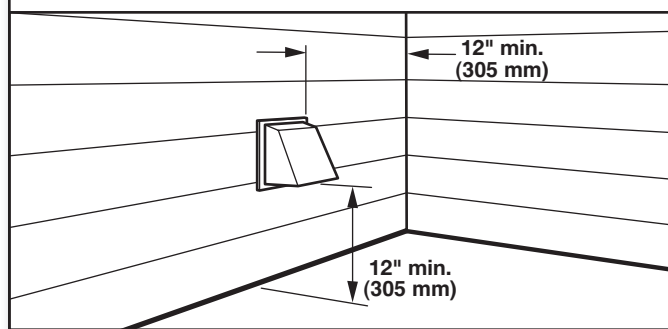
Number of 90° turns or elbows	Type of vent	Angled hoods
0	Rigid metal	36 ft. (11.0 m)
1	Rigid metal	26 ft. (7.9 m)
2	Rigid metal	16 ft. (4.9 m)

NOTE: Side exhaust installations (24" [61 cm] models only) have a 90° turn inside the dryer. To determine maximum exhaust length, add one 90° turn to the chart.

Vent System Chart, 27" (69 cm) Long Vent Models WETLV27H and WGLV27H (U.S. Only)

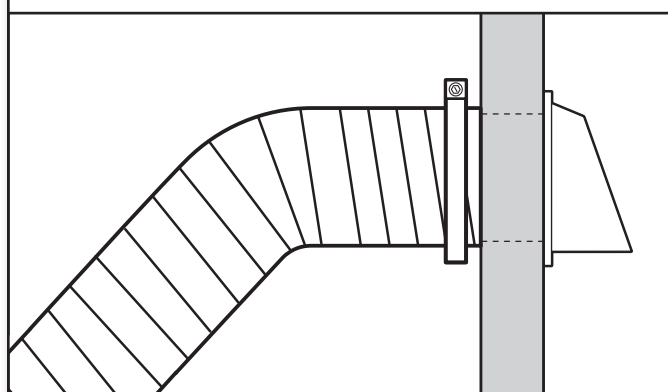
Number of 90° turns or elbows	Type of vent	Angled hoods
0	Rigid metal	125 ft. (38.1 m)
1	Rigid metal	115 ft. (35.1 m)
2	Rigid metal	105 ft. (32.0 m)
3	Rigid metal	95 ft. (29.0 m)
4	Rigid metal	85 ft. (25.9 m)
5	Rigid metal	75 ft. (22.9 m)

1. Install exhaust hood



Install exhaust hood and use caulking compound to seal exterior wall opening around exhaust hood.

2. Connect vent to exhaust hood



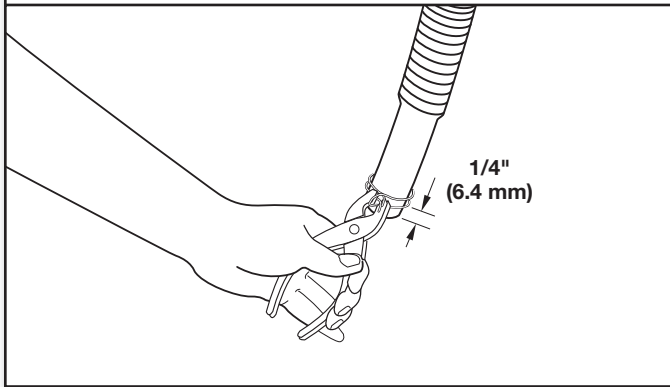
Vent must fit inside the exhaust hood. Secure vent to exhaust hood with 4" (102 mm) clamp. Run vent to dryer location using straightest path possible. Avoid 90° turns. Use clamps to seal all joints. Do not use duct tape, screws, or other fastening devices that extend into interior of vent to secure vent, because they can catch lint.

Connect Drain Hose

Proper connection of the drain hose protects your floors from damage due to water leakage. To keep the drain hose from coming off or leaking, it must be installed according to the following instructions:

IMPORTANT: To ensure proper installation, this procedure must be followed exactly.

1. Attach clamp to drain hose

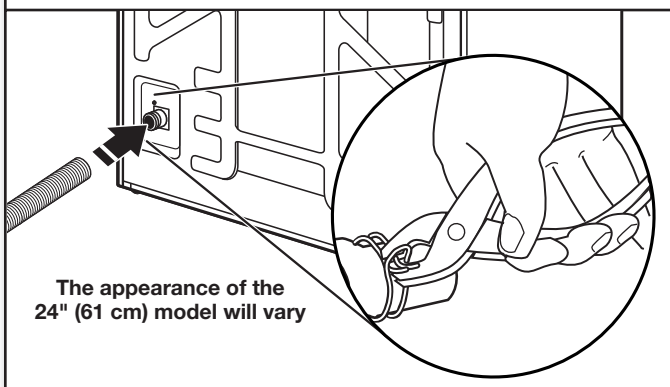


Check the drain hose to see whether it is the proper length. Wet the inside of the straight end of the drain hose with tap water.

IMPORTANT: Do not use any lubricant other than water.

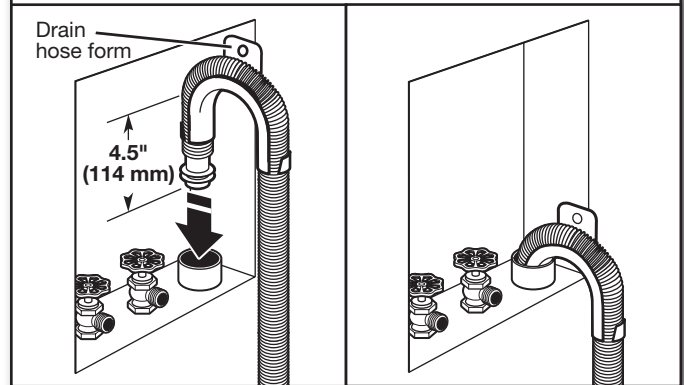
Squeeze ears of the silver double-wire clamp with pliers to open. Place clamp over the straight end of the drain hose 1/4" (6.4 mm) from the end.

2. Attach drain hose to drain connector (27" [69 cm] model shown)



Open clamp. Twist hose back and forth while pushing onto drain connector at the lower left (27" [69 cm] models) or lower center (24" [61 cm] models) portion of the rear of the washer/dryer. Continue until hose contacts the ribbed stops on the cabinet. On 27" (69 cm) models, place clamp over the area on the hose marked "CLAMP." On 24" (61 cm) models, place clamp over the smooth area on the hose between the two ribs. Release clamp.

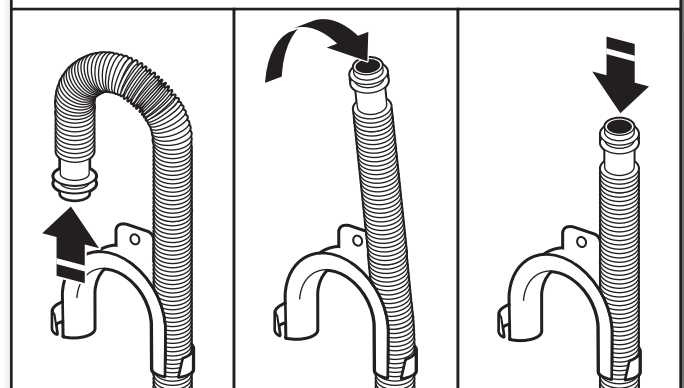
3. Place drain hose in standpipe



Place hose into standpipe (shown in picture) or over side of laundry tub.

IMPORTANT: 4.5" (114 mm) of drain hose should be inside standpipe; do not force excess hose into standpipe or lay on bottom of laundry tub. Drain hose form must be used.

4. Remove drain hose form (floor drain installations only)



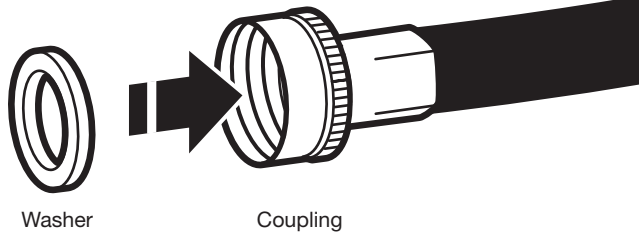
For floor drain installations, you will need to remove the drain hose form from the end of the drain hose. You may need additional parts with separate directions. See "Tools and Parts."

Connect Inlet Hoses

Washer must be connected to water faucets with new inlet hoses with flat washers (not provided). Do not use old hoses.

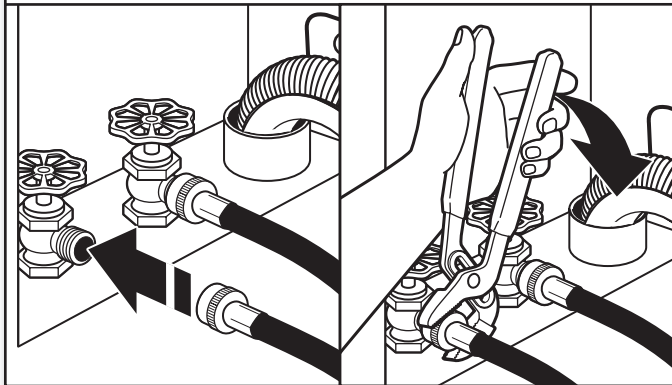
NOTE: Both hoses must be attached and have water flowing to inlet valves. If you are only connecting to a cold water faucet, you must use a Y-adapter (not included).

1. Insert washer into each hose



Insert a new flat washer into each end of the inlet hoses (not provided). Firmly seat the washers in the couplings.

2. Connect inlet hoses to water faucets

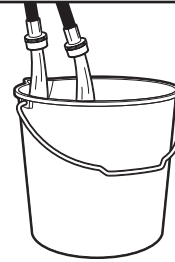


Attach hose to hot water faucet. Screw on coupling by hand until it is seated on washer. Use pliers to tighten couplings an additional two-thirds turn. Repeat this step with second hose for cold water faucet.

IMPORTANT: Do not overtighten or use tape or sealants on valve when attaching to faucets or washer. Damage can result.

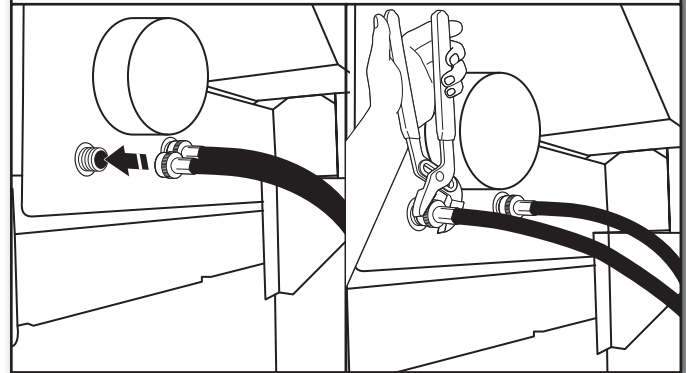
HELPFUL TIP: Make note of which hose is connected to hot water to help in attaching hoses to washer correctly. In most standard configurations, hoses will cross over each other when attached correctly.

3. Clear water lines



Run water for a few seconds through hoses into a laundry tub, drainpipe, or bucket to prevent clogs. Water should run until clear.

4. Connect inlet hoses to washer

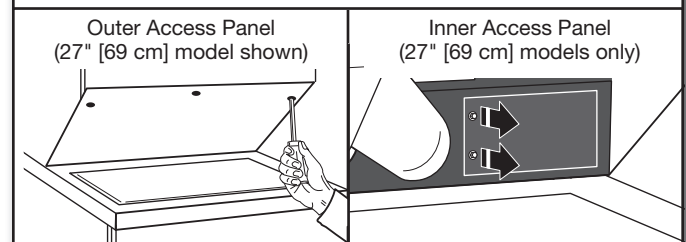


Attach hot water hose to the right-hand (red) inlet valve. Screw coupling by hand until it is snug. Use pliers to tighten couplings an additional two-thirds turn. Repeat with cold water inlet valve (left-hand [blue] inlet valve).

IMPORTANT: To reduce risk of hose failure, replace the hoses every 5 years. Record hose installation or replacement dates for future reference.

- Periodically inspect and replace hoses if bulges, kinks, cuts, wear, or leaks are found.

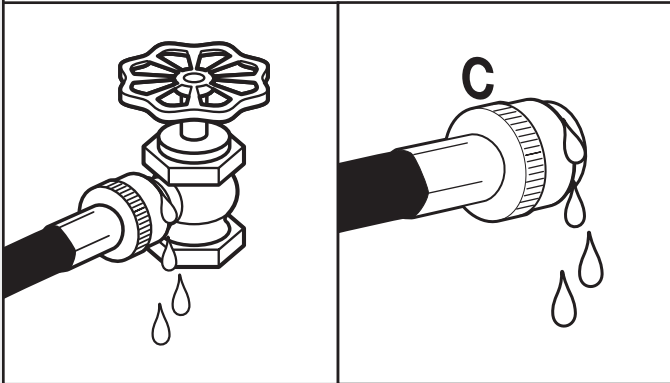
5. Move washer/dryer to final location



If you are working in a closet or recessed area: move the washer/dryer into its final location and remove cardboard from under washer/dryer. Remove the outer access panel by removing two (24" [61 cm] models) or three (27" [69 cm] models) Phillips-head screws and one bumper (27" [69 cm] models only), located at the top of the access panel. Remove inner access panel (27" [69 cm] models only) by removing cover and two screws. Set panels, screws, inner access panel cover, and bumper aside. Complete hookup of water hoses and vent. Replace access panels upon completion of washer/dryer installation.

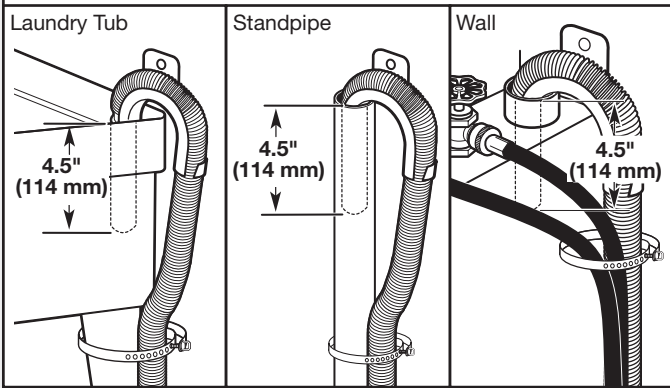
Make Gas Connection (Gas 27" [69 cm] Models Only)

6. Check for leaks



Turn on water faucets to check for leaks. A small amount of water may enter washer. It will drain later.

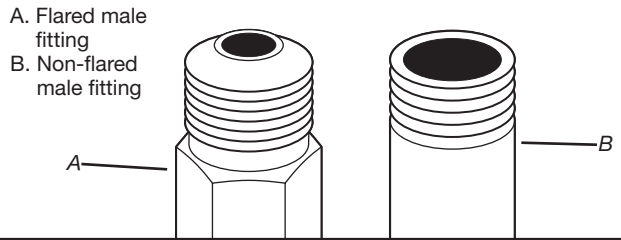
7. Secure drain hose



Secure drain hose to laundry tub leg, drain standpipe, or inlet hoses for wall standpipe with plastic strap included in the parts package.

It is the responsibility of the installer to install and secure the drain hose into the provided plumbing/drain in a manner that will avoid the drain hose coming out of or leaking from the plumbing/drain.

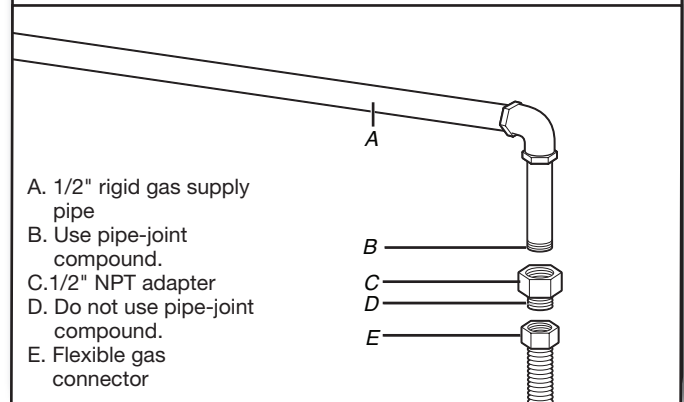
1. Preparing to connect gas supply to dryer



Remove red cap from flexible gas connector. Remove the 1/2" NPT adapter from the flexible gas connector (it will be necessary to use two adjustable wrenches). Use pipe-joint compound on threads of all non-flared male fittings. If flexible metal tubing is used, be sure there are no kinks.

NOTE: For propane gas connections, you must use pipe-joint compound resistant to action of propane gas. Do not use TEFLON® tape.

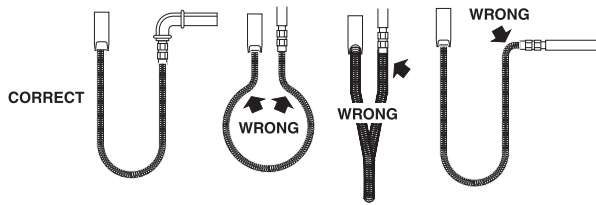
2. Install adapter



Install the adapter on the 1/2" rigid gas supply pipe using pipe-joint compound.

NOTE: For propane gas connections, you must use pipe-joint compound resistant to action of propane gas. Do not use TEFLON® tape.

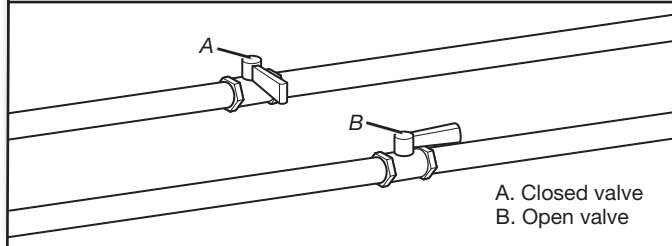
3. Attach connector



Attach the flexible gas connector to the 1/2" NPT adapter. Do not use pipe-joint compound for this connection.

There should be a natural loop in the flexible gas connector. The flexible gas connector must not be twisted, kinked, or attached with any sharp bends.

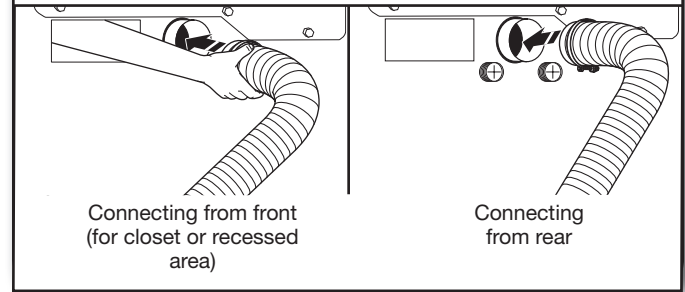
4. Open shut-off valve



Open shut-off valve in supply line; valve is open when handle is parallel to gas pipe. Then, test all connections by brushing on an approved noncorrosive leak-detection solution. Bubbles will show a leak. Correct any leak found.

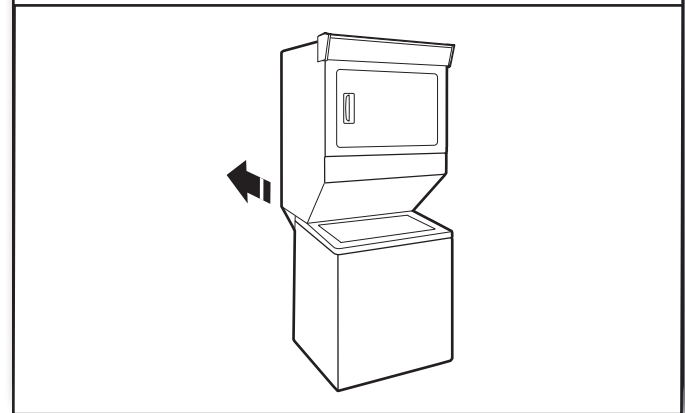
Connect Vent

1. Connect vent to exhaust outlet (27" [69 cm] model shown)



Using a 4" (102 mm) clamp, connect vent to exhaust outlet in dryer. If connecting to existing vent, make sure vent is clean. Dryer vent must fit over dryer exhaust outlet and inside exhaust hood. Check that vent is secured to exhaust hood with a 4" (102 mm) clamp.

2. Move washer/dryer to final location



Move washer/dryer to final location, taking care not to crush or kink vent.

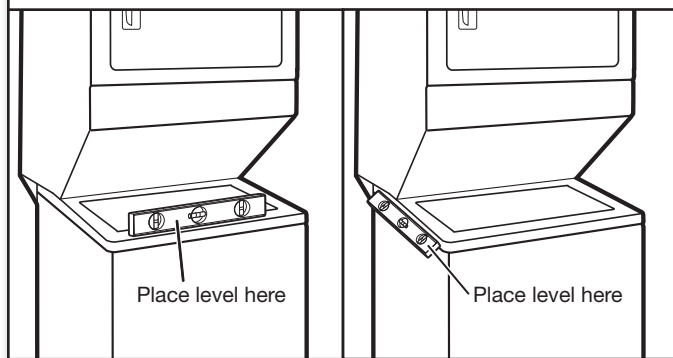
After washer/dryer is in place, remove corner posts and cardboard from under washer/dryer.

Final Installation Steps

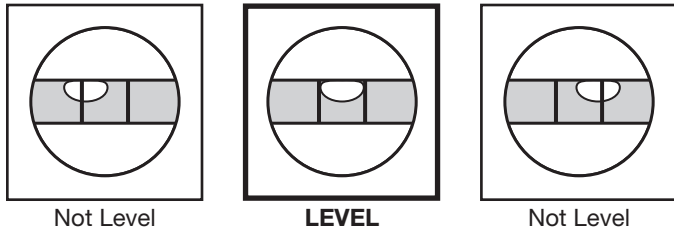
Level Washer/Dryer

IMPORTANT: Level washer/dryer properly to reduce excess noise and vibration.

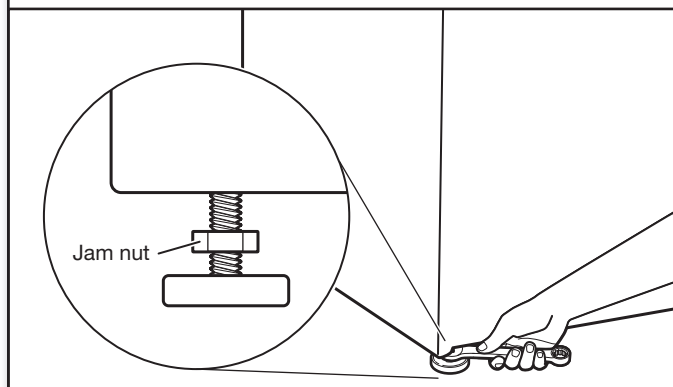
1. Check levelness of washer/dryer



With washer/dryer in its final location, place a level on top edges of washer/dryer. Use side seam as a guide to check levelness of sides. Check levelness of front using lid, as shown. Rock washer/dryer back and forth to make sure all four feet make solid contact with floor. If washer/dryer is level, skip to step 3 (24" [61 cm] models) or "Install Anti-Tip Brackets" (27" [69 cm] models).



2. Adjust leveling feet (24" [61 cm] model shown)



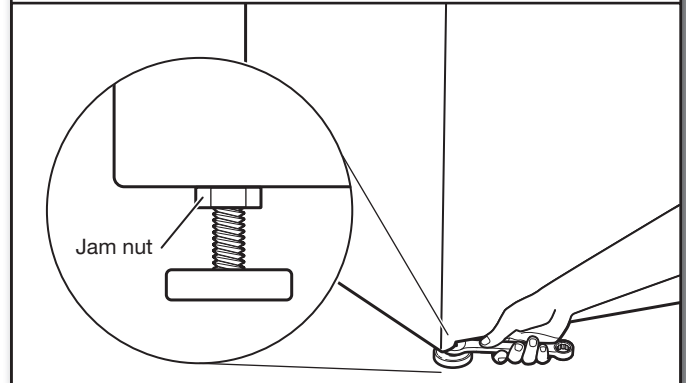
If washer/dryer is not level, prop up front of washer/dryer about 4" (102 mm) with a wood block or similar object that will support weight of washer/dryer.

On 24" (61 cm) models, use a 9/16" or 14 mm open-end or adjustable wrench to turn jam nuts clockwise on feet until they are about 1/2" (13 mm) from the washer/dryer cabinet. Then turn the leveling foot clockwise to lower the washer/dryer or counterclockwise to raise the washer/dryer.

On 27" (69 cm) models, adjust the feet up or down as necessary.

On all models, remove wood block and lower washer/dryer. Recheck levelness of washer/dryer and repeat as needed.

3. Tighten leveling feet (24" [61 cm] models)

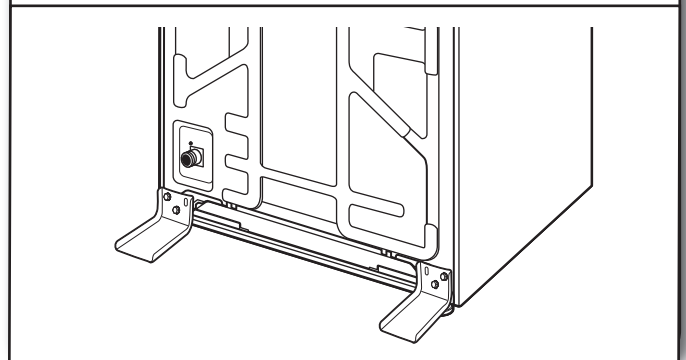


When washer/dryer is level, use a 9/16" or 14 mm open-end or adjustable wrench to turn jam nuts counterclockwise on leveling feet tightly against washer/dryer cabinet.

HELPFUL TIP: You may want to prop washer/dryer with a wooden block.

Install Anti-Tip Brackets (27" [69 cm] Models Only)

1. Attach anti-tip brackets



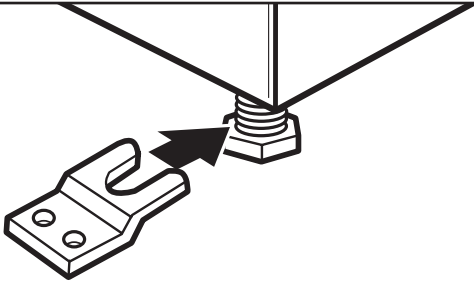
IMPORTANT: The anti-tip brackets must be installed on 27" (69 cm) models to avoid possible tipping backward of the washer/dryer.

With the washer/dryer in its final location, place anti-tip brackets at the lower left and lower right corners of the rear of the washer/dryer, aligning the screw holes in the brackets with the perforations in the cabinet, as shown.

Insert two of the provided screws in the top left and bottom holes in the left-hand bracket with a 1/4" (6.5 mm) nut driver or socket wrench and secure tightly to the washer/dryer cabinet. Repeat for the right-hand bracket using the top right and bottom holes.

Fasten Gas Washer/Dryer to Floor (Gas 27" [69 cm] Models Installed in Mobile Homes Only)

1. Fasten washer/dryer to floor



For mobile home use: Washer/dryers with gas dryers must be securely fastened to the floor.

Mobile home installations require a Mobile Home Installation Kit. See "Tools and Parts" for information on ordering.

Plug In Washer/Dryer: 27" (69 cm) Electric Models with Power Cord and 24" (61 cm) 240V Electric Models

In U.S.A.

⚠ WARNING



Electrical Shock Hazard

Plug into a grounded 3 or 4 prong outlet.

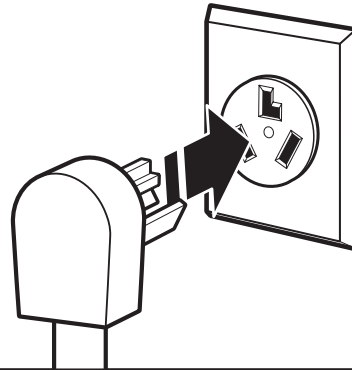
Do not remove ground prong.

Do not use an adapter.

Do not use an extension cord.

Failure to follow these instructions can result in death, fire, or electrical shock.

1. Plug into a grounded 3 or 4 prong outlet



⚠ WARNING

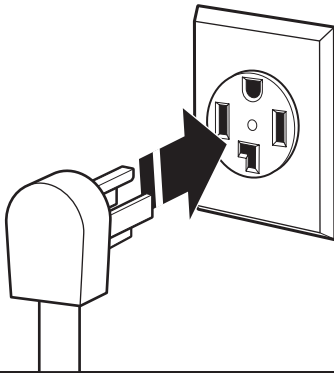


Electrical Shock Hazard

Plug into a grounded 4 prong outlet.

Failure to do so can result in death or electrical shock.

1. Plug into a grounded 4 prong outlet



**Plug In Washer/Dryer:
27" (69 cm) Gas Models**

⚠ WARNING



Electrical Shock Hazard

Plug into a grounded 3 prong outlet.

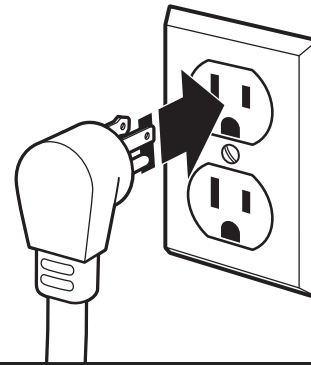
Do not remove ground prong.

Do not use an adapter.

Do not use an extension cord.

Failure to follow these instructions can result in death, fire, or electrical shock.

1. Plug into a grounded 3 prong outlet



Plug In Washer/Dryer: 24" (61 cm) 120V Electric Models

⚠ WARNING



Electrical Shock Hazard

Plug into a grounded 3 prong outlet.

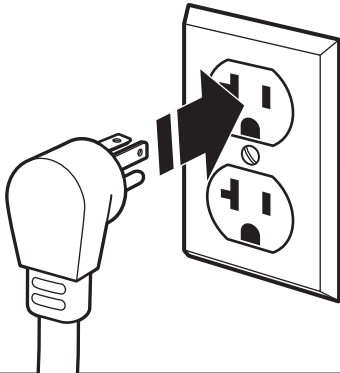
Do not remove ground prong.

Do not use an adapter.

Do not use an extension cord.

Failure to follow these instructions can result in death, fire, or electrical shock.

1. Plug into a grounded 3 prong 20 amp (5-20R) outlet



Complete Installation Checklist

- Check that all parts are now installed. If there is an extra part, go back through the steps to see which step was skipped.
- Check that you have all of your tools.
- Dispose of/recycle all packaging materials. Keep the plastic foam (24" [61 cm] models) for use if the washer/dryer should be transported.
- Check the washer/dryer's final location. Be sure the vent is not crushed or kinked.
- Check that the washer/dryer is level and leveling feet are tight (24" [61 cm] models). See "Level Washer/Dryer."

Electric Models (In the U.S.A.):

- 240V models: For power supply cord installation, plug into a grounded 4 prong or 3 prong outlet. For direct wire installation (27" [69 cm] models only), turn on power.
- 120V models: Plug into a grounded 3 prong 20 amp outlet.

Electric Models (In Canada):

- 240V models: Plug into a grounded 4 prong outlet.
- 120V models: Plug into a grounded 3 prong 20 amp outlet.

Gas Models (In the U.S.A. and Canada):

- Plug into a grounded 3 prong outlet.

All Models (In the U.S.A. and Canada):

- Check that the water faucets are on.
- Check for leaks around faucets and inlet hoses.
- Remove the film on the console and any tape remaining on the washer/dryer.
- Read the Washer/Dryer Use and Care Guide.
- Wipe the dryer drum interior thoroughly with a damp cloth to remove any dust.
- To test the washer, measure 1/2 the normal recommended amount of detergent and pour it into the washer. Close the lid. Select Heavy Duty or Heavy (depending on model) and push START/PAUSE. Allow the washer to complete one whole cycle.
- To test the dryer, set the dryer on a full heat cycle (not an air cycle) for 20 minutes and start the dryer.

If the dryer will not start, check the following:

- Controls are set in a running or On position.
- Start button has been firmly pushed.
- Washer/dryer is plugged into a grounded outlet.
- Electrical supply is connected.
- Household fuses are intact and tight, or circuit breakers have not tripped.
- Dryer door is closed.

- When the dryer has been running for 5 minutes, open the dryer door and feel for heat.

If you do not feel heat, turn off the dryer and check the following:

- Electric dryers: There may be two household fuses or circuit breakers for the dryer. Check that both fuses are intact and tight, or that both circuit breakers have not tripped. If there is still no heat, contact a qualified technician.
- Gas dryers: Check whether the gas supply line shut-off valve is open. If it is closed, open it, then repeat the 5-minute test as outlined above. If it is open, contact a qualified technician.

NOTE: On electric models, you may notice an odor when the dryer is first heated. This odor is common when the heating element is first used. The odor will go away.

Sécurité de la laveuse/sécheuse

Votre sécurité et celle des autres est très importante.

Nous donnons de nombreux messages de sécurité importants dans ce manuel et sur votre appareil ménager. Assurez-vous de toujours lire tous les messages de sécurité et de vous y conformer.



Voici le symbole d'alerte de sécurité.

Ce symbole d'alerte de sécurité vous signale les dangers potentiels de décès et de blessures graves à vous et à d'autres.

Tous les messages de sécurité suivront le symbole d'alerte de sécurité et le mot "DANGER" ou "AVERTISSEMENT". Ces mots signifient :

 **DANGER**

Risque possible de décès ou de blessure grave si vous ne suivez pas immédiatement les instructions.

 **AVERTISSEMENT**

Risque possible de décès ou de blessure grave si vous ne suivez pas les instructions.

Tous les messages de sécurité vous diront quel est le danger potentiel et vous disent comment réduire le risque de blessure et ce qui peut se produire en cas de non-respect des instructions.



AVERTISSEMENT - "Risque d'incendie"

- L'installation de la sécheuse à linge doit être effectuée par un installateur qualifié.
- Installer la sécheuse conformément aux instructions du fabricant et aux codes locaux.
- Ne pas installer de sécheuse à linge avec des matériaux d'évacuation en plastique souple ou un conduit métallique souple (de type papier d'aluminium). Si un conduit métallique souple est installé, celui-ci doit être d'un type spécifique identifié par le fabricant de l'appareil et convenir à une utilisation avec les sécheuses à linge. Les matériaux d'évacuation souples sont connus pour s'affaisser, être facilement écrasés et bloquer la charpie. Ces situations obstrueront le débit d'air de la sécheuse à linge et augmenteront le risque d'incendie.
- Pour réduire le risque de blessure grave ou de décès, suivre toutes les instructions d'installation.
- Conserver ces instructions.

AVERTISSEMENT

Risque d'incendie

Le non-respect de cet avertissement peut causer des blessures graves, des dommages à la propriété ou le décès.

Ne pas installer de ventilateur d'appoint dans le conduit d'évacuation.

Installer toutes les sécheuses en respectant les instructions d'installation du fabricant de la sécheuse.

 **AVERTISSEMENT :**

RISQUE D'INCENDIE OU D'EXPLOSION

Le non-respect des avertissements de sécurité peut causer des dommages à la propriété, des blessures graves, voire la mort.

- Ne pas entreposer ou utiliser de l'essence ou d'autres vapeurs ou liquides inflammables à proximité de cet appareil ou de tout autre appareil électroménager.**
- QUE FAIRE DANS LE CAS D'UNE ODEUR DE GAZ :**
 - **Ne pas tenter d'allumer un appareil.**
 - **Ne pas toucher à un commutateur électrique; ne pas utiliser le téléphone se trouvant sur les lieux.**
 - **Évacuer tous les gens de la pièce, de l'édifice ou du quartier.**
 - **Appeler immédiatement le fournisseur de gaz d'un téléphone voisin. Suivre ses instructions.**
 - **À défaut de joindre votre fournisseur de gaz, appeler les pompiers.**
- L'installation et l'entretien doivent être effectués par un installateur qualifié, une agence de service ou le fournisseur de gaz.**

AVERTISSEMENT : L'odorat ne permet pas toujours la détection d'une fuite de gaz.

Les distributeurs de gaz recommandent l'emploi d'un détecteur de gaz (homologation UL ou CSA).

Pour d'autre information, contacter le fournisseur de gaz local.

En cas de détection d'une fuite de gaz, exécuter les instructions "Que faire dans le cas d'une odeur de gaz".

Dans l'État du Massachusetts, les instructions d'installation suivantes sont applicables :

- Les travaux d'installation et réparation doivent être exécutés par un plombier ou tuyauteur qualifié ou licencié, ou par le personnel qualifié d'une entreprise licenciée par l'État du Massachusetts.
- Remplacer par des dispositifs de fermeture acceptables : Les robinets de gaz et robinets à bille installés pour l'utilisation devraient être indiqués.
- Si un conduit de raccordement flexible est utilisé, sa longueur ne doit pas dépasser 4 pi (121,9 cm).

IMPORTANT : L'installation du gaz doit se conformer aux codes locaux, ou en l'absence de codes locaux, au code d'installation du gaz naturel ou du propane, CSA B149.1.

La sècheuse doit être électriquement reliée à la terre conformément aux codes locaux, ou en l'absence de codes locaux, au Code canadien de l'électricité, partie 1, CSA C22.1.

IMPORTANTES INSTRUCTIONS DE SÉCURITÉ

AVERTISSEMENT : Pour réduire les risques d'incendie, de choc électrique ou de blessures lors de l'utilisation de la laveuse/sécheuse, suivre les précautions fondamentales dont les suivantes :

- Lire toutes les instructions avant d'utiliser la laveuse/sécheuse.
- Ne pas placer des articles exposés aux huiles de cuisson dans votre sècheuse. Les articles contaminés par des huiles de cuisson peuvent contribuer à une réaction chimique qui pourrait causer à la charge de s'enflammer.
- Pour réduire le risque d'incendie dû à des charges contaminées, la partie finale du programme de séchage par culbutage a lieu sans chaleur (période de refroidissement). Éviter d'arrêter une sècheuse en phase de culbutage avant la fin du programme de séchage, à moins de retirer et d'étendre rapidement tous les articles afin que la chaleur se dissipe.
- Ne pas faire laver ou sécher des articles qui ont été nettoyés ou lavés avec de l'essence ou imbibés d'essence, solvants de nettoyage à sec, ou autres substances inflammables ou explosives; ces substances peuvent émettre des vapeurs susceptibles de s'enflammer ou d'exploser.
- Ne pas ajouter d'essence, solvant de nettoyage à sec ou autre produit inflammable ou explosif dans l'eau de lavage. Ces substances peuvent émettre des vapeurs susceptibles de s'enflammer ou d'exploser.
- Ne pas laisser des enfants jouer sur ou à l'intérieur de la laveuse/sécheuse. Bien surveiller les enfants lorsque la laveuse/sécheuse est utilisée à proximité d'enfants.
- Avant de mettre la laveuse/sécheuse au rebut ou hors de service, enlever la porte ou le couvercle.
- Ne pas tenter d'atteindre un article à l'intérieur de la cuve de la laveuse/sécheuse lorsque le tambour, la cuve ou l'agitateur est en mouvement.
- Ne pas installer ou remiser cette laveuse/sécheuse à un endroit où elle serait exposée aux intempéries.
- Ne pas modifier les organes de commande.
- Nettoyer le filtre à charpie avant et après chaque charge.
- Dans certaines conditions, de l'hydrogène gazeux peut se former dans un circuit d'eau chaude qui n'a pas été utilisé pendant 2 semaines ou plus. LE GAZ HYDROGÈNE EST EXPLOSIBLE. Si le circuit d'eau chaude n'a pas été utilisé pendant une telle période, avant d'utiliser la laveuse/sécheuse, ouvrir tous les robinets d'eau chaude et laisser l'eau s'écouler pendant plusieurs minutes par chaque robinet. Ceci permettra l'évacuation de l'hydrogène gazeux accumulé. Comme ce gaz est inflammable, ne pas fumer ou utiliser une flamme nue au cours de cette période.
- Ne pas réparer ou remplacer un composant quelconque de la laveuse/sécheuse, ni entreprendre une opération de service, si ce n'est spécifiquement recommandé dans ce manuel ou dans un manuel d'instructions de réparations destiné à l'utilisateur; il est alors essentiel que la personne concernée comprenne ces instructions et soit compétente pour les exécuter.
- Ne pas utiliser un produit assouplissant de tissu ou des produits pour éliminer la statique à moins qu'ils ne soient recommandés par le fabricant du produit assouplissant de tissu ou du produit.
- Ne pas utiliser la chaleur pour faire sécher des articles fabriqués avec du caoutchouc mousse ou des matériaux semblables.
- Ne pas laisser la charpie, la poussière ou la saleté s'accumuler autour du système d'évacuation ou autour de l'appareil.
- Un nettoyage périodique de l'intérieur de la sècheuse et du conduit d'évacuation doit être effectué par une personne qualifiée.
- Voir la section "Spécifications électriques" dans les instructions d'installation pour les instructions de mise à la terre.

CONSERVEZ CES INSTRUCTIONS

Avertissements de la proposition 65 de l'État de Californie :

AVERTISSEMENT : Ce produit contient au moins un produit chimique connu par l'État de Californie pour être à l'origine de cancers.

AVERTISSEMENT : Ce produit contient au moins un produit chimique connu par l'État de Californie pour être à l'origine de malformations et autres déficiences de naissance.

IMPORTANTES INSTRUCTIONS DE SÉCURITÉ

Avant de jeter ou de ranger votre vieille sècheuse, enlever la porte.

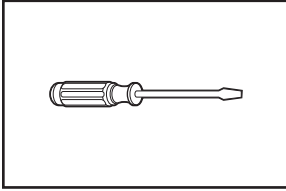
CONSERVEZ CES INSTRUCTIONS

Exigences d'installation

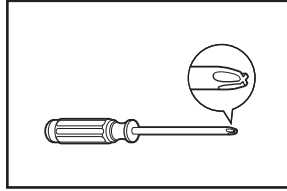
Outillage et pièces

Rassembler les outils et pièces nécessaires avant de commencer l'installation.

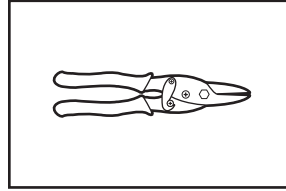
Outillage nécessaire :



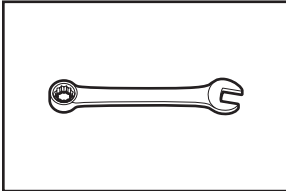
Tournevis à lame plate



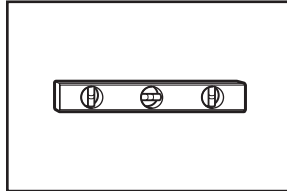
Tournevis Phillips n° 2



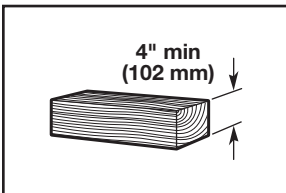
Cisaille de ferblantier
(pour l'installation d'un nouveau conduit)



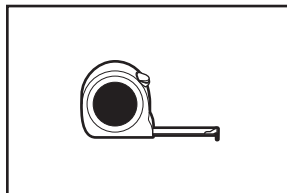
Clé à molette ou clé hexagonale de 9/16" (14 mm)



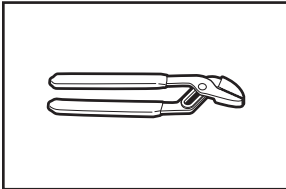
Niveau



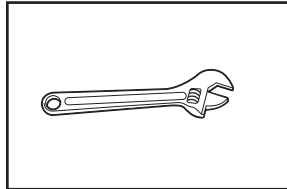
Cale en bois



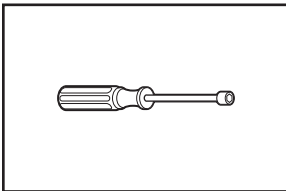
Règle ou mètre ruban



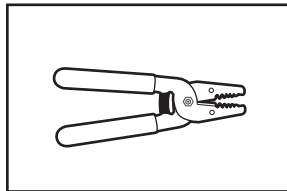
Pince qui s'ouvre à 1⁹/₁₆" (39,5 mm)



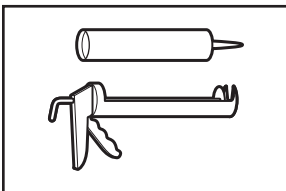
Clé à molette avec ouverture jusqu'à 1" (25 mm) ou clé à douille à tête hexagonale



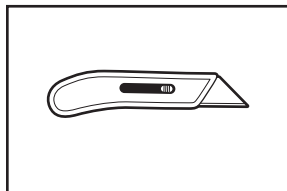
Tourne-écrou de 1/4" (6,5 mm) (recommandé)



Pince à dénuder

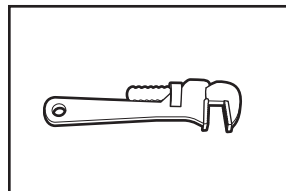


Pistolet à calfeutrage et composé de calfeutrage (pour l'installation d'un nouveau conduit d'évacuation)

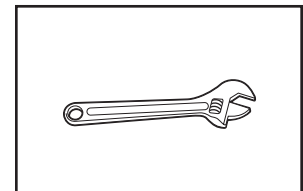


Couteau

Outils nécessaires aux installations au gaz :



Clé à tuyau de 8" (203 mm) ou 10" (254 mm)

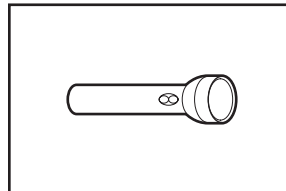


Clé à molette de 8" (203 mm) ou 10" (254 mm) (pour le raccordement au gaz)

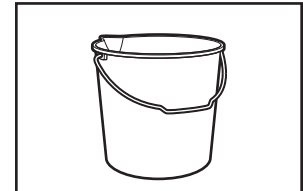


Composé d'étanchéité des raccords filetés – résistant au gaz propane

Outillage facultatif :



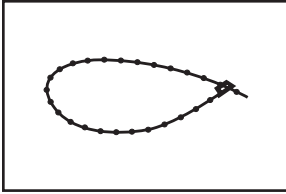
Lampe de poche



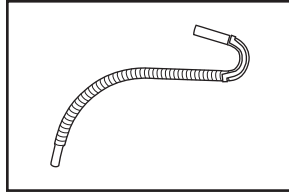
Seau

Pièces fournies :

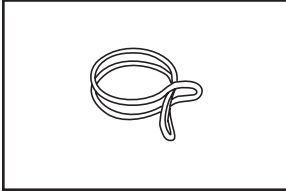
REMARQUE : Retirer le sachet de pièces du panier de la laveuse. Vérifier que toutes les pièces de la liste sont présentes.



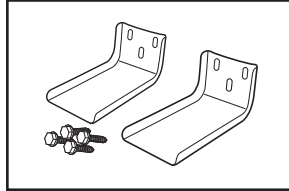
Sangle en plastique



Tuyau de vidange

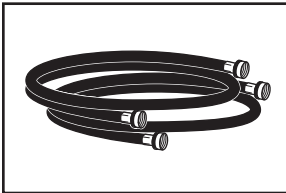


Bride de serrage argent, à deux fils



Supports antibasculement (2) et vis (4) (modèles de 27" [69 cm])

Pièces nécessaires : (Non fournies avec la laveuse/sécheuse)



Tuyaux d'arrivée d'eau avec rondelles plates

- Brides de conduit
- Coudes d'évacuation et conduits
- Trousse d'installation pour maison mobile (numéro de pièce 346764)
- Système d'évacuation en métal

Consulter les codes locaux, vérifier l'alimentation électrique et le conduit d'évacuation existants, et consulter les sections "Spécifications électriques" et "Exigences concernant l'évacuation" avant d'acheter les pièces nécessaires. Les installations pour maison mobile nécessitent un système d'évacuation en métal qui peut être acheté chez le marchand chez qui vous avez acheté votre laveuse/sécheuse. Pour plus d'information, veuillez consulter la section "Assistance ou service" de Guide d'utilisation et d'entretien de la laveuse/sécheuse.

Équipement facultatif :

(Non fourni avec la laveuse/sécheuse)

Se référer au Guide d'utilisation et d'entretien pour des renseignements sur les accessoires disponibles pour la laveuse/sécheuse.

Autres pièces : (Non fournies avec la laveuse/sécheuse)

Il se peut que l'installation nécessite des pièces supplémentaires. Pour commander, consulter les numéros d'appel sans frais sur la page arrière du Guide d'utilisation et d'entretien.

Si vous avez :

Un égout surélevé

Égout au plancher

Tuyau de rejet à l'égout rigide de 1" (25 mm)

Évier de buanderie ou tuyau de rejet à l'égout de plus de 96" (2,4 m)

Un tuyau de vidange trop court

Le système d'évacuation obstrué par de la charpie

Robinets d'eau hors de portée des tuyaux de remplissage

Il vous faudra :

Tuyau de vidange standard de 20 gal. (76 L) de 39" (991 mm) de haut ou Évier de décharge, Pompe de puisard et Connecteurs (disponibles chez les vendeurs de matériel de plomberie locaux)

Brise-siphon Pièce n° 285320, tuyau de vidange supplémentaire Pièce n° 285702, et kit de connexion Pièce n° 285442

Adaptateur pour tuyau de rejet à l'égout rigide de diamètre 2" (51 mm) à 1" (25 mm) Pièce n° 3363920, Ensemble de connexion Pièce n° 285835

Système de pompe de puisard (si non déjà disponible)

Tuyau de vidange supplémentaire Pièce n° 285863, Ensemble de connexion Pièce n° 285835

Protecteur de canalisation Pièce n° 367031, Ensemble de connexion Pièce n° 285835

Deux tuyaux de remplissage d'eau plus longs : 6 pi (1,8 m) Pièce n° 76314, 10 pi (3,0 m) Pièce n° 350008

Exigences d'emplacement

⚠ AVERTISSEMENT



Risque d'explosion

Garder les matières et les vapeurs inflammables, telle que l'essence, loin de la sècheuse.

Ne pas installer dans un garage.

Le non-respect de ces instructions peut causer un décès, une explosion ou un incendie.

Le choix d'un emplacement approprié pour la laveuse/sècheuse en améliore le rendement et réduit au minimum le bruit et le "déplacement" possible de la laveuse. La laveuse/sècheuse peut être installée dans un sous-sol, une salle de buanderie, un placard ou un encastrément.

Il vous faudra :

- Un emplacement permettant une évacuation appropriée. Une laveuse/sècheuse doit être dotée d'un circuit de décharge à l'extérieur. Voir "Exigences concernant l'évacuation."
- Pour les modèles électriques de 27" (69 cm) et de 24" (61 cm) de 240V, un circuit distinct de 30 A. Pour les modèles électriques de 24" (61 cm) de 120V, un circuit distinct de 20 A. Pour les modèles à gaz, un circuit distinct de 120V 15 ou 20 A.
- Une prise électrique avec liaison à la terre située à moins de 2 pi (610 mm) de l'un des côtés de la laveuse/sècheuse. Voir "Spécifications électriques."
- Un plancher capable de supporter le poids total de 500 lb (226,8 kg) de la laveuse/sècheuse (eau et charge compris).
- Un plancher de niveau avec une pente maximale de 1" (25 mm) sous l'ensemble de la laveuse/sècheuse. Si la laveuse/sècheuse n'est pas d'aplomb, le linge peut ne pas culbuter convenablement et les programmes commandés par des détecteurs automatiques peuvent ne pas fonctionner correctement. L'installation sur de la moquette n'est pas recommandée.
- Un chauffe-eau réglé à 120 °F (49 °C).
- Des robinets d'eau chaude et d'eau froide situés à moins de 4 pi (1,2 m) des électrovannes de remplissage d'eau chaude et d'eau froide situées sur la laveuse et une pression d'eau de 5–100 lb/po² (34,5 à 689,6 kPa).

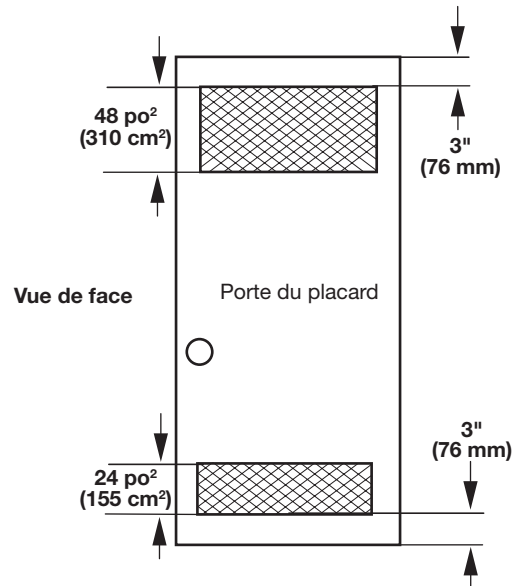
La laveuse/sècheuse ne doit pas être installée ou remise dans un endroit où elle sera exposée à l'eau et/ou aux intempéries.

Ne pas faire fonctionner la laveuse à une température de 32 °F (0 °C) ou moins. Un peu d'eau peut rester dans la laveuse et causer des dommages à basses températures. Voir "Entretien de la laveuse/sècheuse" dans le Guide d'utilisation et d'entretien de la laveuse/sècheuse pour les renseignements sur l'hivernisation.

Ne pas faire fonctionner la sècheuse à des températures inférieures à 45 °F (7 °C). À des températures inférieures, la sècheuse risque de ne pas s'arrêter à la fin d'un programme automatique. Ceci risque de prolonger les durées de séchage.

Vérifier les règlements locaux. Certains codes limitent ou n'autorisent pas l'installation de la laveuse/sècheuse dans un garage, un placard, une maison mobile ou une chambre à coucher. Communiquer avec l'inspecteur des bâtiments local.

Installation dans un encastrément ou un placard



On recommande les dimensions d'espacement dans les pages suivantes pour cette laveuse/sècheuse. Cette laveuse/sècheuse a été testée pour une installation avec des dégagements de 0" (0 mm) sur les côtés et à l'arrière. L'espacement recommandé doit être considéré pour les raisons suivantes :

- On prévoira un peu plus d'espace pour faciliter l'installation et l'entretien.
- Un espace supplémentaire peut être requis pour les moulures de porte et de plancher et pour les plinthes.
- Ajouter un espace supplémentaire de tous les côtés de la laveuse/sècheuse pour réduire le transfert de bruit.
- Pour une installation dans un placard avec porte, on doit prévoir des ouvertures minimums d'entrée d'air en haut et en bas de la porte. Les portes à claire-voie offrant des ouvertures équivalentes de passage de l'air sont acceptables.

REMARQUE : Pour les modèles à gaz, aucun autre appareil à combustion ne doit être installé dans le même placard que la laveuse/sècheuse.

Installation dans une maison mobile – autres exigences

Cette laveuse/sècheuse peut être installée dans une maison mobile. L'installation doit satisfaire les critères de la Norme canadienne des habitations préfabriquées, CAN/CSA-Z240 MH.

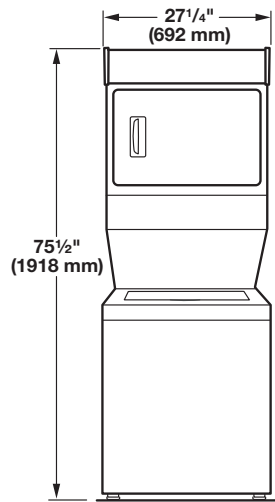
L'installation dans une maison mobile exige :

- Système d'évacuation en métal, disponible et en vente en magasin.
- Ensemble d'installation pour maison mobile, pièce numéro 346764 (modèles à gaz uniquement). Voir "Outillage et pièces" pour plus d'informations et pour commander.
- Dispositions spéciales dans les maisons mobiles pour l'apport d'air de l'extérieur dans la sècheuse. L'ouverture (telle qu'une fenêtre à proximité) devrait être au moins deux fois plus grande que l'ouverture de décharge de la sècheuse.

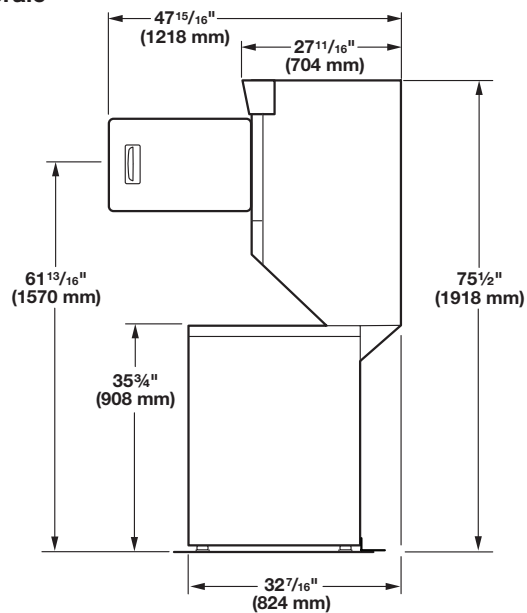
Dimensions/Distances de dégagement, modèles de 27" (69 cm)

Dimensions

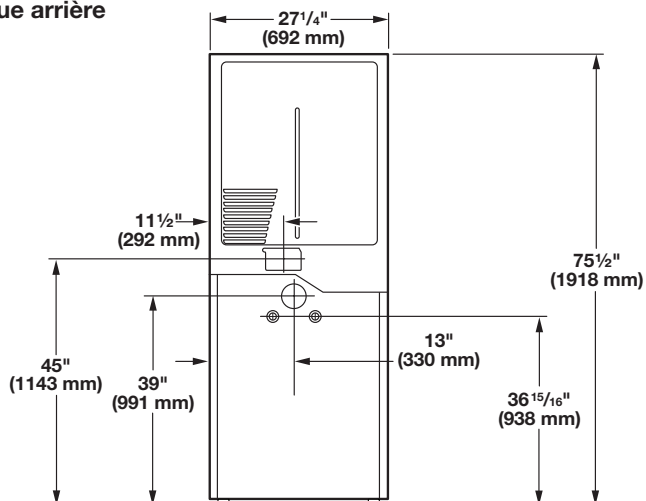
Vue de face



Vue latérale

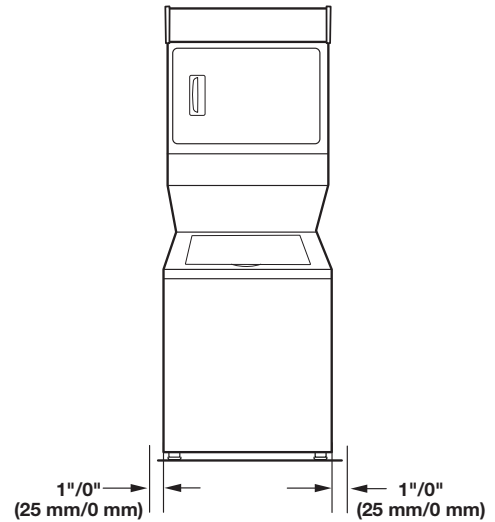


Vue arrière

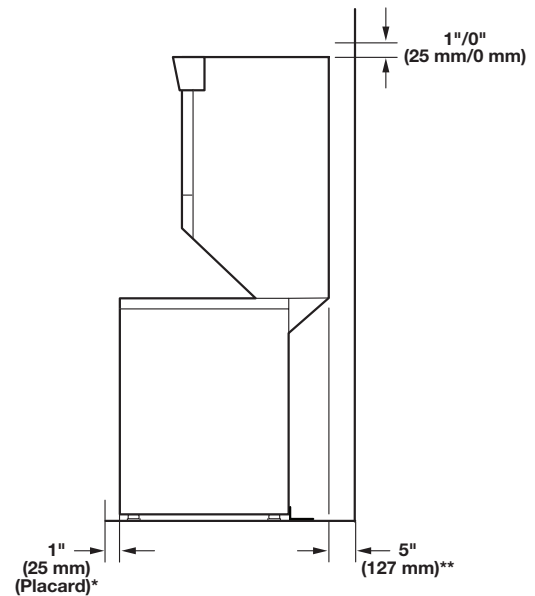


Distances de dégagement

Distances de dégagement latéral (recommandées/minimales)



Distances de dégagement à l'avant/à l'arrière/sur le dessus (recommandées/minimales)



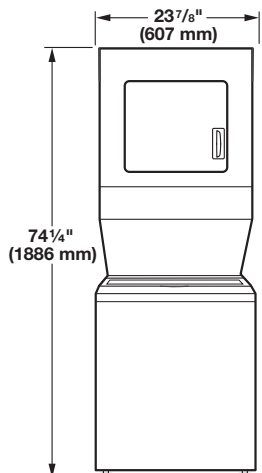
*Espace requis.

**L'espace à l'arrière peut être de 0" (0 mm) lorsque le système d'évacuation de la maison est aligné directement avec l'évacuation de la sècheuse.

Dimensions/Distances de dégagement, modèles de 24" (61 cm)

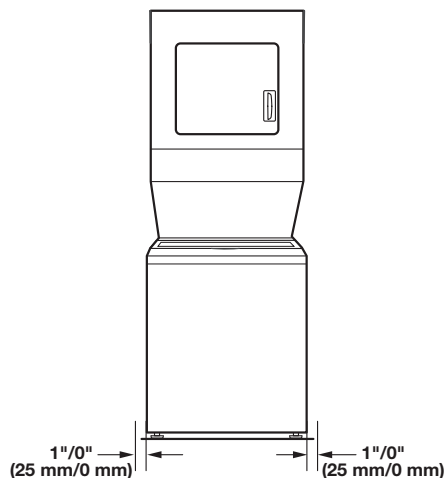
Dimensions

Vue de face

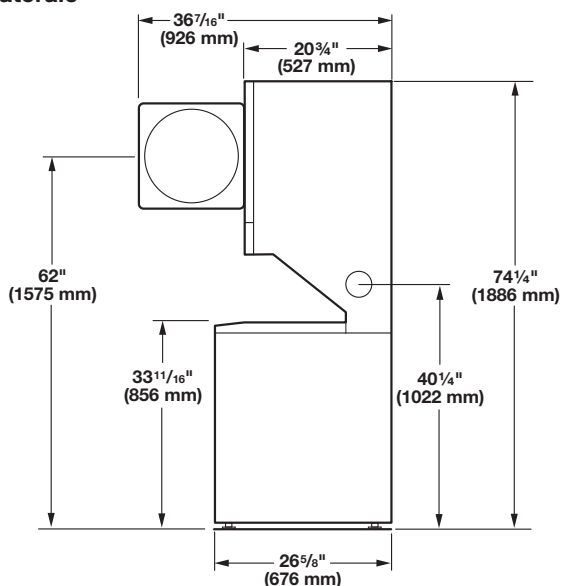


Distances de dégagement

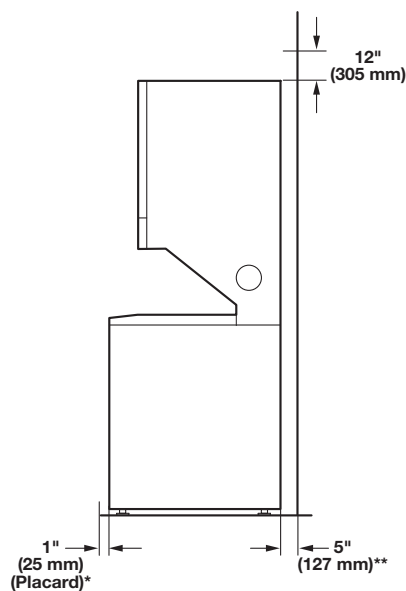
Distances de dégagement latéral (recommandées/minimales)



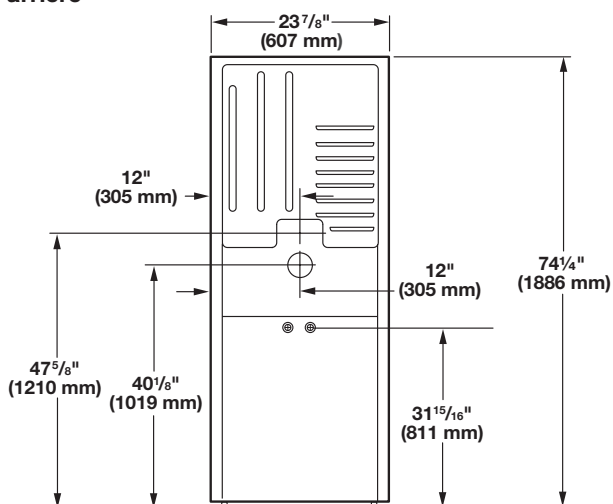
Vue latérale



Distances de dégagement à l'avant/à l'arrière/sur le dessus



Vue arrière



*Espace requis.

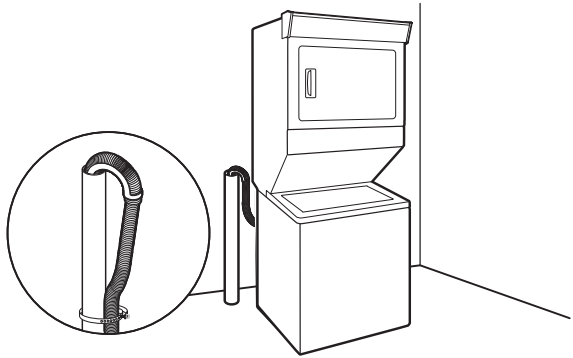
**L'espace à l'arrière peut être de 0" (0 mm) lorsque le système d'évacuation de la maison est aligné directement avec l'évacuation de la sècheuse.

Système de vidange

Le système de vidange de la laveuse peut être installé à l'aide d'un conduit d'évacuation au plancher, un tuyau de rejet à l'égout au plancher ou mural ou un évier de buanderie. Sélectionner la méthode à utiliser.

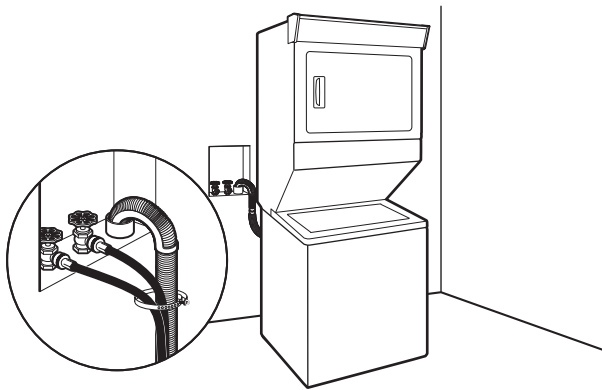
Système de vidange avec tuyau de rejet à l'égout au plancher

Diamètre minimal pour un tuyau de rejet à l'égout : 2" (51 mm). Capacité minimale d'acheminement : 17 gal. (64 L) par minute. Le sommet du tuyau de rejet à l'égout doit avoir une hauteur d'au moins 39" (991 mm); ne pas l'installer à plus de 96" (2,4 m) du fond de la laveuse/sécheuse. Si on doit l'installer à plus de 96" (2,4 m) de hauteur, un système de pompe de puisard est nécessaire.



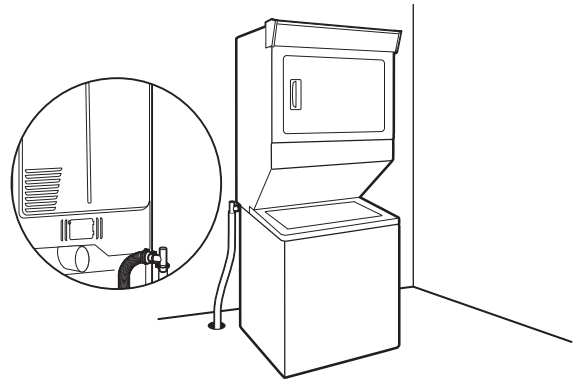
Système de vidange avec tuyau de rejet à l'égout mural

Voir les exigences pour le système de vidange avec tuyau de rejet à l'égout au plancher.



Système de vidange au plancher

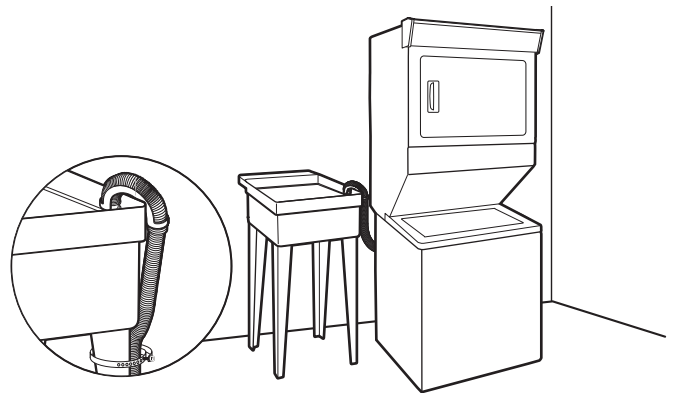
Le système de vidange au plancher nécessite un ensemble de brise-siphon (pièce numéro 285834), deux ensembles de connexion (pièce numéro 285835), et un tuyau de vidange supplémentaire (pièce numéro 285863) qui peuvent être achetés séparément. Pour commander, consulter les numéros d'appel sans frais figurant dans le Guide d'utilisation et d'entretien de la laveuse/sécheuse. Dimension minimale pour le brise-siphon : 28" (710 mm) à partir du fond de la laveuse/sécheuse. (Des tuyaux supplémentaires peuvent être requis).



Système de vidange dans un évier de buanderie

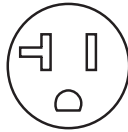
Capacité minimale : 20 gal. (76 L). Le sommet de l'évier de buanderie doit se trouver à au moins 39" (991 mm) du plancher (modèles de 27" [69 cm]), ou au moins 34" (864 mm) du plancher (modèles de 24" [61 cm]); ne pas l'installer à plus de 96" (2,4 m) du fond de la laveuse/sécheuse.

IMPORTANT : Pour éviter un effet de siphon, ne pas introduire plus de 4,5" (114 mm) de tuyau de vidange à l'intérieur du tuyau de rejet à l'égout ou sous la partie supérieure d'évier de buanderie. Immobiliser le tuyau de vidange avec la sangle en plastique.



Spécifications électriques, modèles électriques de 120V (modèles de 24" [61 cm] uniquement) – Canada

- Il est recommandé de raccorder la laveuse/sécheuse sur un circuit distinct exclusif à cet appareil.
- Modèles de 120V sont équipés d'un cordon électrique à trois broches pour liaison à la terre à introduire dans une prise murale 5-20 de 20 amp.
- Pour minimiser les risques de choc électrique, on doit brancher le cordon sur une prise de courant de configuration correspondante, à 3 alvéoles, reliée à la terre et installée conformément aux codes et règlements locaux. Si une prise de courant de configuration correspondante n'est pas disponible, le client a la responsabilité et l'obligation de faire installer par un électricien qualifié une prise de courant correctement reliée à la terre.
- Si les codes le permettent et si l'on utilise un conducteur distinct de liaison à la terre, il est recommandé qu'un électricien qualifié vérifie la qualité de la liaison à la terre.
- En cas de doute quant à la qualité de la liaison à la terre de la laveuse/sécheuse, consulter un électricien qualifié.
- Ne pas installer un fusible dans le conducteur neutre ou le circuit de liaison à la terre.
- Une source d'alimentation de 120 V, 60 Hz, CA uniquement, de 20 ampères et protégée par fusible est nécessaire. On recommande d'utiliser un fusible ou un disjoncteur temporisé.



Prise murale
5-20R

- Alimenter l'appareil uniquement par un circuit monophasé de 120/240 volts CA, 60 Hz à 4 fils, sur un circuit séparé de 30 ampères, fusionné aux deux extrémités de la ligne. On recommande d'utiliser un fusible ou un disjoncteur temporisé. On recommande également que cet appareil soit alimenté par un circuit indépendant.
- Cette sécheuse est équipée d'un cordon électrique homologué UL et/ou par la CSA International à introduire dans une prise murale standard 14-30R. Le cordon mesure 5 pi (1,52 m). Veiller à ce que la prise murale se trouve à proximité de l'emplacement définitif de la sécheuse.



Prise murale
à 4 fils
(14-30R)

Si on utilise un cordon d'alimentation de rechange, il est recommandé d'utiliser le cordon d'alimentation de rechange numéro de pièce 9831317.

Pour plus de renseignements, consulter les numéros de service qui se trouvent dans le Guide d'utilisation et d'entretien de la laveuse/sécheuse.

C'est à l'utilisateur qu'incombe la responsabilité de :

- Contacter un électricien qualifié.
- S'assurer que les connexions électriques sont adéquates et conformes au Code canadien de l'électricité, C22.1 – dernière édition et à tous les codes locaux. Pour obtenir un exemplaire de la norme des codes ci-dessus, contacter : Association canadienne de normalisation, 178 Rexdale Blvd., Toronto, ON M9W 1R3 CANADA.
- Ne pas utiliser de câble de rallonge.

Spécifications électriques, modèles électriques de 240V – Canada

⚠ AVERTISSEMENT



Risque de choc électrique

Brancher sur une prise à 4 alvéoles reliée à la terre.

Le non-respect de cette instruction peut causer un décès ou un choc électrique.

INSTRUCTIONS DE LIAISON À LA TERRE

- Pour une laveuse/sécheuse reliée à la terre et connectée par un cordon :

Cette laveuse/sécheuse doit être reliée à la terre. En cas de mauvais fonctionnement ou de panne, la liaison à la terre réduira le risque de choc électrique en offrant au courant électrique un acheminement d'évacuation de moindre résistance. Cette laveuse/sécheuse est alimentée par un cordon électrique comportant un conducteur relié à la terre et une fiche de branchement munie d'une broche de liaison à la terre. La fiche doit être branchée sur une prise appropriée qui est bien installée et reliée à la terre conformément à tous les codes et règlements locaux.

AVERTISSEMENT : Le raccordement incorrect de cet appareil au conducteur de liaison à la terre peut susciter un risque de choc électrique. En cas de doute quant à la qualité de liaison à la terre de la laveuse/sécheuse, consulter un électricien ou un technicien ou un personnel qualifié. Ne pas modifier la fiche de branchement fournie avec la laveuse/sécheuse; si la fiche ne correspond pas à la configuration de la prise de courant, demander à un électricien qualifié d'installer une prise de courant appropriée.

CONSERVEZ CES INSTRUCTIONS

C'est à l'utilisateur qu'incombe la responsabilité de :

- Contacter un électricien qualifié.
- S'assurer que les connexions électriques sont adéquates et conformes au Code canadien de l'électricité, C22.1 – dernière édition et à tous les codes locaux. Pour obtenir un exemplaire de la norme des codes ci-dessus, contacter : Association canadienne de normalisation, 178 Rexdale Blvd., Toronto, ON M9W 1R3 CANADA.

Spécifications électriques, modèles à gaz (modèles de 27" [69 cm] uniquement)

⚠ AVERTISSEMENT



Risque de choc électrique

Brancher sur une prise à 3 alvéoles reliée à la terre.

Ne pas enlever la broche de liaison à la terre.

Ne pas utiliser un adaptateur.

Ne pas utiliser un câble de rallonge.

Le non-respect de ces instructions peut causer un décès, un incendie ou un choc électrique.

- Cette laveuse/sécheuse comporte un cordon d'alimentation électrique à trois broches pour liaison à la terre.
- Pour minimiser les risques de choc électrique, on doit brancher le cordon sur une prise de courant de configuration correspondante, à 3 alvéoles, reliée à la terre et installée conformément aux codes et règlements locaux. Si une prise de courant de configuration correspondante n'est pas disponible, le client a la responsabilité et l'obligation de faire installer par un électricien qualifié une prise de courant correctement reliée à la terre.
- Si les codes le permettent et si l'on utilise un conducteur distinct de liaison à la terre, il est recommandé qu'un électricien qualifié vérifie la qualité de la liaison à la terre.
- Ne pas utiliser une tuyauterie de gaz pour le raccordement à la terre.
- En cas de doute quant à la qualité de la liaison à la terre de la laveuse/sécheuse, consulter un électricien qualifié.
- Ne pas installer un fusible dans le conducteur neutre ou le circuit de liaison à la terre.
- Une source d'alimentation de 120 V, 60 Hz, CA uniquement, de 15 ou 20 ampères et protégée par fusible est nécessaire. On recommande d'utiliser un fusible ou un disjoncteur temporisé. Il est également recommandé de raccorder la laveuse/sécheuse sur un circuit distinct exclusif à cette laveuse/sécheuse.

INSTRUCTIONS DE LIAISON À LA TERRE

- Pour une laveuse/sécheuse reliée à la terre et connectée par un cordon :

Cette laveuse/sécheuse doit être reliée à la terre. En cas de mauvais fonctionnement ou de panne, la liaison à la terre réduira le risque de choc électrique en offrant au courant électrique un acheminement d'évacuation de moindre résistance. Cette laveuse/sécheuse est alimentée par un cordon électrique comportant un conducteur relié à la terre et une fiche de branchement munie d'une broche de liaison à la terre. La fiche doit être branchée sur une prise appropriée qui est bien installée et reliée à la terre conformément à tous les codes et règlements locaux.

AVERTISSEMENT : Le raccordement incorrect de cet appareil au conducteur de liaison à la terre peut susciter un risque de choc électrique. En cas de doute quant à la qualité de liaison à la terre de la laveuse/sécheuse, consulter un électricien ou un technicien ou un personnel qualifié. Ne pas modifier la fiche de branchement fournie avec la laveuse/sécheuse; si la fiche ne correspond pas à la configuration de la prise de courant, demander à un électricien qualifié d'installer une prise de courant appropriée.

CONSERVEZ CES INSTRUCTIONS

Spécifications de l'alimentation en gaz, modèles à gaz (modèles de 27" [69 cm] uniquement)

⚠ AVERTISSEMENT



Risque d'explosion

Utiliser une canalisation neuve d'arrivée de gaz approuvée par CSA International.

Installer un robinet d'arrêt.

Bien serrer chaque organe de connexion de la canalisation de gaz.

En cas de connexion au gaz propane, demander à une personne qualifiée de s'assurer que la pression de gaz ne dépasse pas 330 mm (13 po) de la colonne d'eau.

Par personne qualifiée, on comprend :

le personnel autorisé de chauffage,
le personnel autorisé d'une compagnie de gaz, et
le personnel d'entretien autorisé.

Le non-respect de ces instructions peut causer un décès, une explosion ou un incendie.

TYPE DE GAZ

Gaz naturel :

Cette laveuse/sécheuse est équipée pour une alimentation au gaz naturel. Elle est homologuée par UL pour l'alimentation au gaz propane, avec conversion appropriée.

- Cette laveuse/sécheuse doit être équipée du brûleur convenable, correspondant au gaz spécifique qui alimente l'habitation. L'information sur le brûleur se trouve sur la plaque signalétique dans le logement de la porte de la sécheuse. Si ces renseignements ne correspondent pas au type de gaz disponible, contacter votre marchand ou composer les numéros de téléphone indiqués dans la section "Assistance ou service" du Guide d'utilisation et d'entretien.

Conversion pour l'alimentation au propane :

IMPORTANT : Un technicien qualifié doit effectuer la conversion.

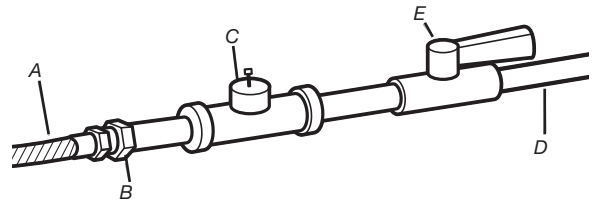
Ne pas entreprendre de convertir l'appareil pour l'utilisation d'un gaz différent de celui indiqué sur la plaque signalétique sans d'abord consulter la compagnie de gaz.

CANALISATION DE GAZ

- La canalisation doit comprendre un connecteur obturé (filetage NPT de 1/8" ou plus) accessible pour le raccordement de l'instrument de mesure, immédiatement en amont de la connexion d'alimentation en gaz de la laveuse/sécheuse. Voir l'illustration.
- Un tuyau IPS de 1/2" est recommandé.
- La canalisation doit comprendre un robinet d'arrêt :

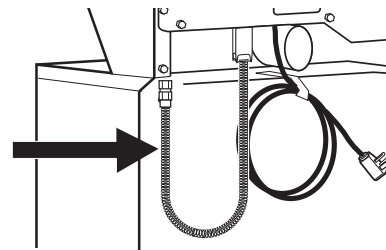
Au Canada :

Un robinet d'arrêt individuel manuel doit être installé conformément à la norme B149.1 du Code des installations au gaz naturel ou propane. On recommande qu'un robinet d'arrêt manuel individuel soit installé à moins de 6 pi (1,8 m) de la laveuse/sécheuse. Choisir l'emplacement d'installation du robinet d'arrêt pour qu'il soit facilement accessible pour les manoeuvres d'ouverture et fermeture.



- A. Connecteur de gaz flexible de 3/8"
- B. Adaptateur NPT de 1/2"
- C. Connecteur obturé (filetage NPT de 1/8" ou plus)
- D. Canalisation de gaz (NPT de 1/2")
- E. Robinet d'arrêt du gaz

Cette laveuse/sécheuse est fournie avec son propre raccord flexible pour installation permanente (homologation CSA International), pour le raccordement à la canalisation de gaz.



Connecteur de gaz flexible

Enlever l'emballage en mousse (modèles de 24" [61 cm])

RACCORDEMENT DE LA SÈCHEUSE À GAZ

Option 1

Canalisation rigide d'alimentation en gaz :

- Raccorder la laveuse/sècheuse à la canalisation rigide d'alimentation en gaz en utilisant l'adaptateur NPT de 1/2" entre la canalisation d'alimentation en gaz et le connecteur de gaz flexible de la laveuse/sècheuse.

Option 2

Conduit d'aluminium ou de cuivre approuvé :

- Pour les longueurs inférieures à 20 pi (6,1 m), on peut utiliser des tuyaux de cuivre ou d'aluminium de 3/8" si les codes locaux et le fournisseur de gaz le permettent.
- Pour le gaz naturel, ne pas utiliser de conduits en cuivre.
- Pour les longueurs supérieures à 20 pi (6,1 m), on peut utiliser des tuyaux plus gros et un adaptateur de grosseur différente.
- Si la laveuse/sècheuse a été convertie au gaz propane, on peut utiliser un tuyau en cuivre compatible au gaz propane de 3/8". Si la longueur totale de la canalisation d'arrivée de gaz est supérieure à 20 pi (6,1 m), utiliser une plus grosse conduite.

REMARQUE : On doit utiliser un composé d'étanchéité des tuyauteries résistant à l'action du gaz propane. Ne pas utiliser de ruban TEFLON.®†

EXIGENCES CONCERNANT LE RACCORDEMENT AU GAZ

- Utiliser l'adaptateur NPT de 1/2" entre la canalisation d'alimentation en gaz et le connecteur de gaz flexible de la laveuse/sècheuse.
- Utiliser uniquement un composé d'étanchéité des tuyauteries. Ne pas utiliser de ruban TEFLON.®†

EXIGENCES CONCERNANT L'ALIMENTATION DU BRÛLEUR

Altitude ne dépassant pas 10 000 pi (3 048 m) :

- La conception de cette laveuse/sècheuse a été homologuée par CSA International pour l'utilisation jusqu'à une altitude de 10 000 pi (3 048 m) au-dessus du niveau de la mer, pour le débit thermique indiqué sur la plaque signalétique. Aucun réglage du débit thermique du brûleur n'est nécessaire lorsque la laveuse/sècheuse est utilisée à une altitude inférieure à 10 000 pi (3 048 m).

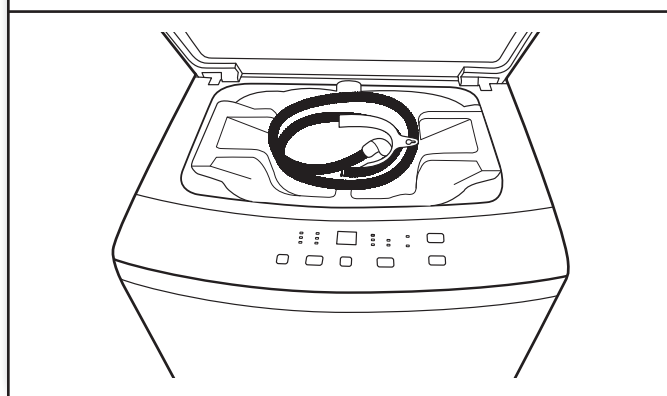
Altitude supérieure à 10 000 pi (3 048 m) :

- Lors de l'installation de l'appareil à une altitude supérieure à 10 000 pi (3 048 m), on constate une réduction de 4 % du débit thermique du brûleur indiqué sur la plaque signalétique, pour chaque tranche de 1 000 pi (305 m) d'altitude au-dessus de 10 000 pi (3 048 m).

Tests de pressurisation de la canalisation de gaz

- La laveuse/sècheuse doit être déconnectée du système de canalisations d'alimentation en gaz lors de tout test de pressurisation à des pressions plus élevées que 1/2 lb/po.²

1. Retirer l'anneau d'emballage en mousse de la laveuse



Ouvrir le couvercle de la laveuse. Le loquet sous la sècheuse maintiendra le couvercle ouvert. Retirer l'anneau d'emballage en mousse et le tuyau de vidange de la laveuse.

REMARQUE : Conserver l'anneau en mousse et l'utiliser lors du transport de la laveuse/sècheuse. Ce matériau d'emballage est utilisé pour maintenir la cuve de la laveuse stable pendant le transport.

†®TEFLON est une marque déposée de Chemours.

Évacuation

Exigences concernant l'évacuation

⚠ AVERTISSEMENT

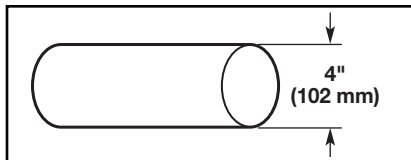


Risque d'incendie

- Utiliser un conduit d'évacuation en métal lourd.
- Ne pas utiliser un conduit d'évacuation en plastique.
- Ne pas utiliser un conduit d'évacuation en feuille de métal.
- Le non-respect de ces instructions peut causer un décès ou un incendie.

AVERTISSEMENT : Pour réduire le risque d'incendie, cette sècheuse doit ÉVACUER L'AIR À L'EXTÉRIEUR.

IMPORTANT : Respecter les dispositions de tous les codes et règlements en vigueur. Le conduit d'évacuation de la sècheuse ne doit pas être connecté à une évacuation de gaz, une cheminée, un mur, un plafond, un grenier, un vide sanitaire ou un vide de construction. Seul un conduit en métal flexible ou rigide doit être utilisé pour l'évacuation.



Conduit d'évacuation en métal lourd de 4" (102 mm)

- Utiliser uniquement un conduit d'évacuation en métal lourd de 4" (102 mm) et des brides de serrage.
- Ne pas utiliser de conduit de plastique ou de métal très mince.

Conduit métallique rigide :

- Recommandé pour une meilleure performance de séchage et pour réduire les risques d'écrasement et de déformation.

Conduit métallique flexible : (Acceptable uniquement si accessible pour le nettoyage)

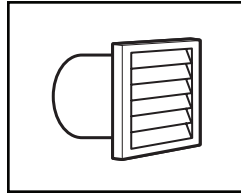
- Doit être complètement déployé et supporté dans l'emplacement final de la sècheuse.
- Enlever tout excès de conduit pour éviter tout affaissement et déformation susceptible de réduire la capacité d'évacuation et le rendement.
- Ne pas installer le conduit dans les cavités fermées des murs, plafonds ou planchers.
- La longueur totale ne doit pas excéder $7\frac{3}{4}$ pi (2,4 m).

REMARQUE : Lors de l'utilisation d'un système de décharge existant, nettoyer et éliminer la charpie sur toute la longueur du système et veiller à ce que le clapet d'évacuation ne soit pas obstrué par une accumulation de charpie. Remplacer tout conduit de plastique ou de feuille métallique par un conduit métallique rigide ou flexible. Examiner le "Tableau des systèmes d'évacuation" et au besoin, apporter les modifications nécessaires au système d'évacuation pour atteindre le meilleur rendement de séchage.

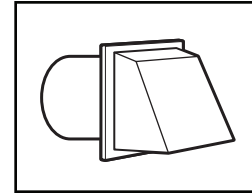
Clapets de décharge :

- Doit se situer à au moins 12" (305 mm) au-dessus du sol ou de tout objet susceptible d'obstruer l'évacuation (par exemple fleurs, roches, arbustes ou neige).

Styles recommandés :

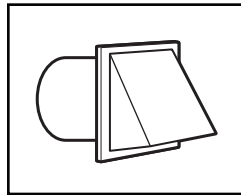


Clapet à persiennes



Clapet de type boîte

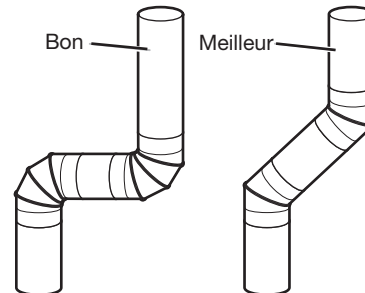
Style acceptable :



Clapet incliné

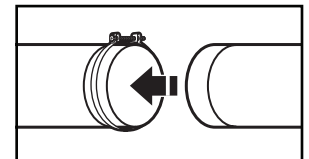
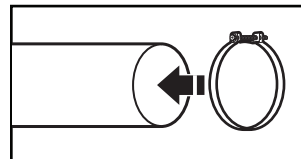
Coudes :

- Les coudes à 45° permettent une meilleure circulation de l'air que les coudes à 90°.



Brides de serrage :

- Utiliser des brides de serrages pour sceller tous les joints.
- Le conduit d'évacuation ne doit pas être connecté ou fixé avec des vis ou avec tout autre dispositif de serrage qui se prolonge à l'intérieur du conduit et où la charpie risque de s'accrocher. Ne pas utiliser de ruban adhésif pour conduit.



Une mauvaise évacuation de l'air peut causer de l'humidité et une accumulation de charpie à l'intérieur de la maison, ce qui peut provoquer :

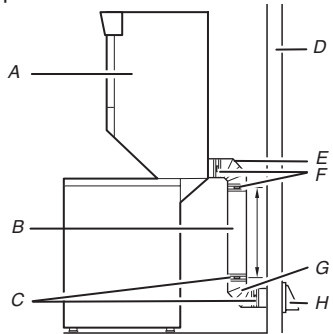
- Dommages par l'humidité aux boiseries, meubles, peinture, papier-peint, tapis, etc.
- Problèmes de nettoyage dans la maison et problèmes de santé.

Voir "Trousses d'évacuation" pour plus de renseignements.

Planification du système d'évacuation

Installations d'évacuation recommandées

Les installations typiques consistent à acheminer le conduit d'évacuation à l'arrière de la laveuse/sécheuse. D'autres installations sont possibles.



- | | |
|--|------------------------|
| A. Sécheuse | E. Coude |
| B. Conduit d'évacuation
métallique rigide ou flexible | F. Brides |
| C. Brides | G. Coude |
| D. Mur | H. Clapet d'évacuation |

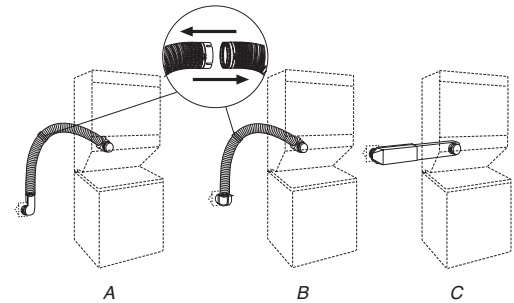
Installations d'évacuation facultatives :

Modèles de 24" (61 cm) peuvent s'évacuer par la droite ou par la gauche. Pour convertir la laveuse/sécheuse, utiliser l'ensemble d'évacuation par les côtés Pièce numéro 279823. Si votre laveuse/sécheuse s'évacuait par la droite ou par la gauche auparavant, elle peut être convertie à l'évacuation par l'arrière en utilisant des connexions désaxées classiques. Pour recouvrir le trou sur le côté, on peut ajouter le bouchon suivant : 692790 (blanc)

Suivre les instructions dans la trousse d'installation. La trousse est disponible au magasin où la laveuse/sécheuse a été achetée.

Autres installations où le dégagement est réduit

Il existe de nombreux systèmes d'évacuation. Choisir le système qui convient le mieux à votre installation. Trois installations à dégagement réduit sont illustrées. Consulter les instructions du fabricant fournies avec le système d'évacuation.



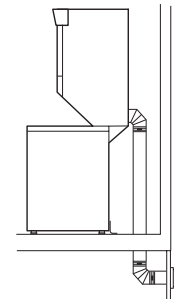
- A. Système dévié avec coudes classiques
 B. Système dévié avec un double coude et un coude classique
 C. Système d'évacuation avec un périscope (dégagement de 2" [51 mm])

Trousses d'évacuation

Pour plus d'informations, composer le **1-800-688-2002** ou consulter notre site Web à l'adresse www.whirlpool.ca.

Dispositions spéciales pour les maisons mobiles :

Le système d'évacuation doit être solidement fixé à une section non combustible de la structure de la maison mobile et ne doit pas se terminer en dessous de celle-ci. Acheminer le conduit d'évacuation vers l'extérieur.



AVERTISSEMENT



Risque d'incendie

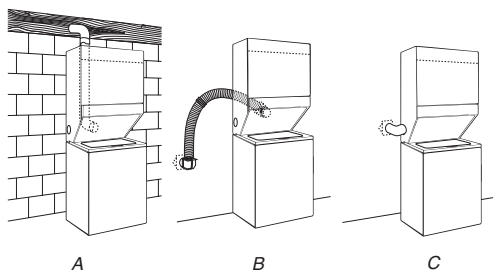
Recouvrir tous les orifices d'évacuation non utilisés avec une trousse du fabricant.

Contactez votre marchand local.

Le non-respect de ces instructions peut causer un décès, un incendie, un choc électrique ou une blessure grave.

Déterminer l'itinéraire d'acheminement du conduit :

- Choisir l'itinéraire d'acheminement vers l'extérieur qui sera le plus direct et le plus rectiligne.
- Planifier l'installation pour introduire le nombre minimal de coudes et de changements de direction.
- Si des coudes ou changements de direction sont utilisés, prévoir autant d'espace que possible.
- Plier le conduit graduellement pour éviter de le déformer.
- Utiliser le moins de changements de direction à 90° possible.



- A. Acheminement standard du conduit d'évacuation par l'arrière
 B. Évacuation par l'arrière pour connexion désaxée avec dégagement réduit
 C. Acheminement du conduit d'évacuation par la gauche ou par la droite (modèles de 24" [61 cm] uniquement)

Installation du conduit d'évacuation

Déterminer la longueur du conduit et les coudes nécessaires :

- Utiliser le tableau des systèmes d'évacuation ci-dessous pour déterminer le type de composants et les combinaisons acceptables.

REMARQUE : Ne pas utiliser un conduit de longueur supérieure à la valeur spécifiée dans le Tableau des systèmes d'évacuation. Si la longueur du circuit est supérieure à la valeur spécifiée dans le tableau, on observera :

- Une réduction de la longévité de la sècheuse.
- Une réduction du rendement, avec temps de séchage plus longs et une plus grande consommation d'énergie.

Le Tableau des systèmes d'évacuation fournit les exigences d'évacuation qui vous aideront à atteindre la meilleure performance de séchage.

Tableau des systèmes d'évacuation, modèles de 27" (69 cm)

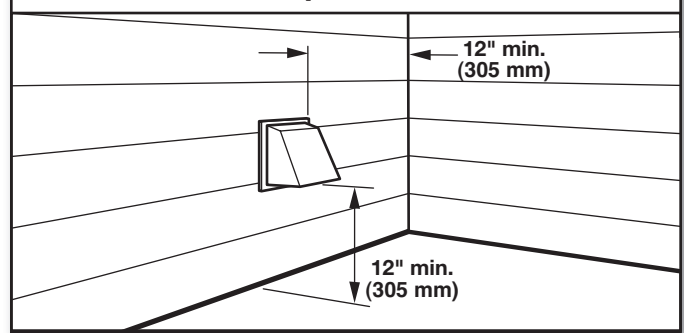
Nombre de coudes à 90°	Type de conduit d'évacuation	Clapets inclinés
0	Métal. rigide	35 pi (10,7 m)
1	Métal. rigide	27 pi (8,2 m)
2	Métal. rigide	19 pi (5,8 m)

Tableau des systèmes d'évacuation, modèles de 24" (61 cm)

Nombre de coudes à 90°	Type de conduit d'évacuation	Clapets inclinés
0	Métal. rigide	36 pi (11,0 m)
1	Métal. rigide	26 pi (7,9 m)
2	Métal. rigide	16 pi (4,9 m)

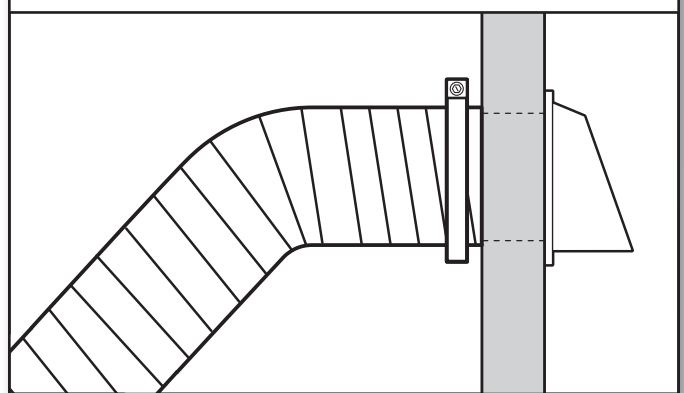
REMARQUE : Les installations d'évacuation par le côté (modèles de 24" [61 cm] uniquement) comportent un changement de direction à 90° à l'intérieur de la sècheuse. Pour déterminer la longueur maximale d'évacuation lorsqu'on consulte le tableau, ajouter un changement de direction à 90° au nombre total de coudes.

1. Installer le clapet d'évacuation



Installer un clapet d'évacuation et calfeutrer l'ouverture murale à l'extérieur autour du clapet d'évacuation.

2. Raccorder le conduit d'évacuation au clapet



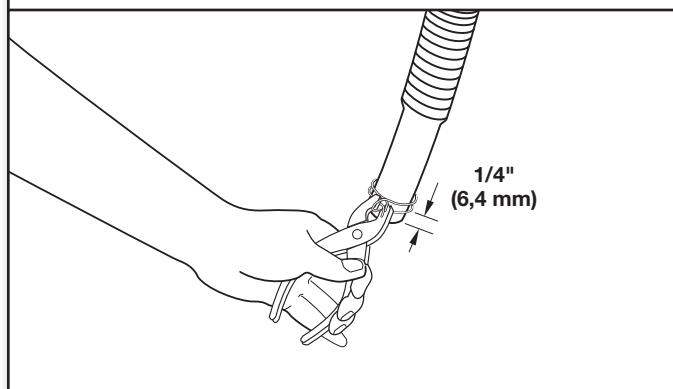
Le conduit doit être inséré à l'intérieur du manchon du clapet. Fixer ensemble le conduit et le clapet avec une bride de 4" (102 mm). Acheminer le conduit d'évacuation jusqu'à l'emplacement de la sècheuse en utilisant l'itinéraire le plus rectiligne possible. Éviter les changements de direction à 90°. Utiliser des brides de serrage pour sceller tous les joints. Ne pas utiliser de ruban adhésif pour conduit, de vis ou autres dispositifs de fixation qui se prolongeraient à l'intérieur du conduit pour sécuriser l'évacuation, où la charpie pourrait s'accrocher.

Raccordement du tuyau de vidange

Une bonne connexion du tuyau de vidange protège vos planchers contre les dommages imputables à une fuite d'eau. Pour éviter que le tuyau de vidange se détache ou fuie, l'installer en suivant les instructions ci-dessous.

IMPORTANT : Pour une installation correcte, suivre attentivement les étapes ci-dessous.

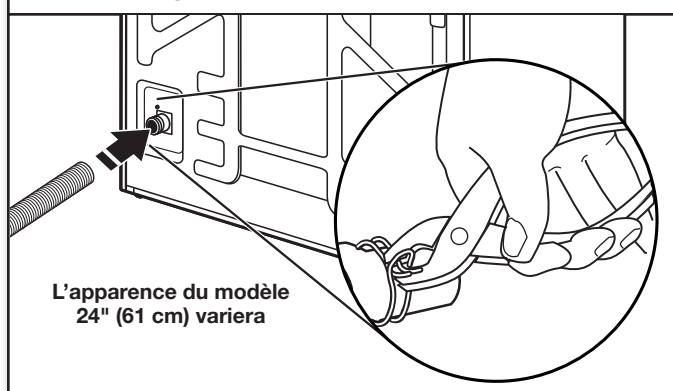
1. Fixer la bride au tuyau de vidange



Vérifier que le tuyau de vidange a la bonne longueur. Mouiller la surface intérieure de l'extrémité rectiligne du tuyau de vidange avec de l'eau du robinet.

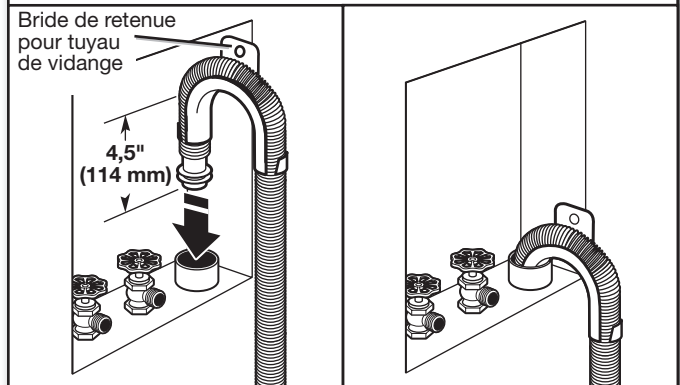
IMPORTANT : Ne pas utiliser de lubrifiant autre que de l'eau. Presser les pattes de la bride de serrage argent à deux fils à l'aide d'une pince pour l'ouvrir. Placer la bride sur l'extrémité droite du tuyau de vidange à 1/4" (6,4 mm) de l'extrémité.

2. Fixer le tuyau de vidange au raccord de vidange (modèle de 27" [69 cm] illustré)



Ouvrir la bride de serrage. Tourner le tuyau d'un côté et de l'autre en poussant sur le raccord de vidange à la partie inférieure gauche (modèles de 27" [69 cm]) ou à la partie inférieure centrale (modèles de 24" [61 cm]). Continuer jusqu'à ce que le raccord touche les butées nervurées sur le placard. Sur les modèles de 27" (69 cm), placer la bride à l'endroit indiqué "CLAMP." Sur les modèles de 24" (61 cm), placer la bride dans la zone lisse entre les deux nervures. Relâcher la bride.

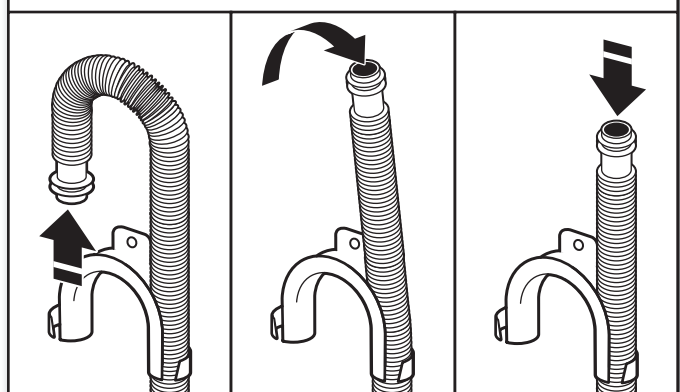
3. Placer le tuyau de vidange dans le tuyau de rejet à l'égout



Placer le tuyau dans le tuyau de rejet à l'égout (illustré sur l'image) ou par-dessus le côté de l'évier de buanderie.

IMPORTANT : 4,5" (114 mm) du tuyau de vidange doit être à l'intérieur du tuyau de rejet à l'égout; ne pas forcer l'excédent de tuyau dans le tuyau de rejet à l'égout ni le placer dans l'évier de buanderie. On doit utiliser la bride de retenue pour tuyau de vidange.

4. Retrait de la bride de retenue pour tuyau de vidange (installations avec vidange au plancher uniquement)



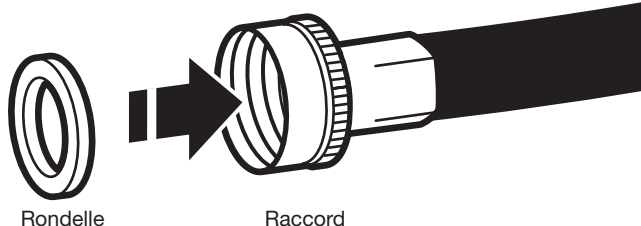
Pour les installations avec vidange au plancher, il faut retirer la bride de retenue pour tuyau de vidange de l'extrémité du tuyau de vidange. Des pièces supplémentaires avec des directives distinctes seront peut-être nécessaires. Voir "Outils et pièces."

Raccordement des tuyaux d'arrivée d'eau

La laveuse doit être raccordée aux robinets à l'aide de tuyaux d'arrivée d'eau neufs dotés de rondelles plates (non compris). Ne pas utiliser de tuyaux usagés.

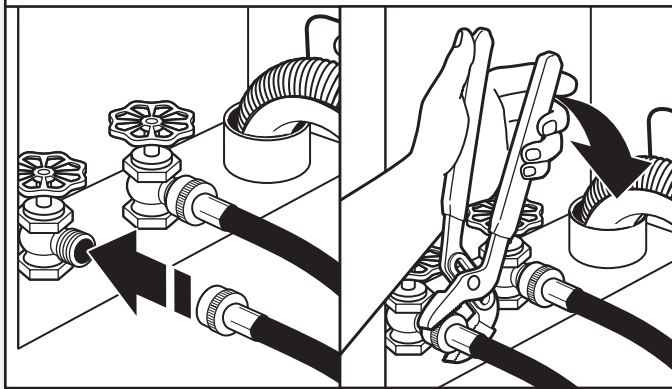
REMARQUE : Les deux tuyaux doivent être fixés et l'eau doit pénétrer dans les valves d'arrivée d'eau. Si l'on effectue un raccordement uniquement à un robinet d'eau froide, on doit utiliser un adaptateur en Y (non fourni).

1. Insérer une rondelle dans chaque tuyau



Insérer une nouvelle rondelle plate dans chaque extrémité des tuyaux d'arrivée d'eau (non fournis). Insérer fermement les rondelles dans les raccords.

2. Raccorder les tuyaux d'arrivée d'eau aux robinets

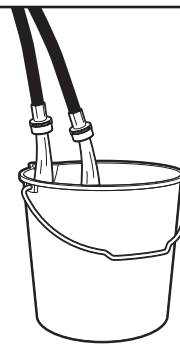


Fixer le tuyau au robinet d'eau chaude. Visser le raccord à la main pour qu'il repose sur la rondelle. Serrer les raccords de deux tiers de tour supplémentaires à l'aide d'une pince. Répéter cette étape avec le deuxième tuyau pour le robinet d'eau froide.

IMPORTANT : Ne pas serrer excessivement ni utiliser de ruban adhésif ou de dispositif d'étanchéité sur la valve lors de la fixation aux robinets ou à la laveuse. Cela pourrait entraîner des dommages.

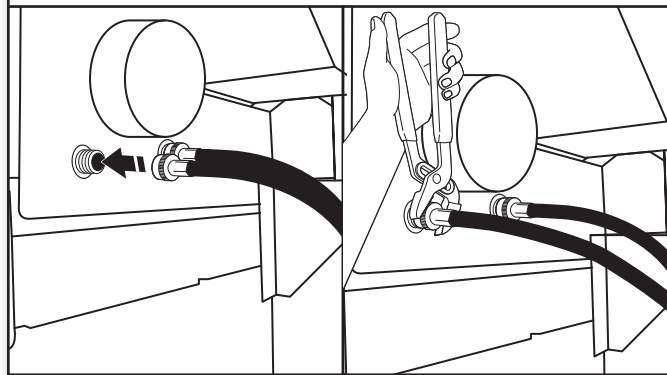
CONSEIL UTILE : Repérer quel tuyau est raccordé à l'eau chaude pour permettre une fixation correcte des tuyaux à la laveuse. Dans la plupart des configurations standard, les tuyaux se croisent lorsque fixés correctement.

3. Purger les canalisations d'eau



Faire couler l'eau par les tuyaux dans l'évier de buanderie, le tuyau de rejet à l'égout ou le seau pendant quelques secondes pour éviter toute obstruction. On doit laisser couler l'eau jusqu'à ce qu'elle soit limpide.

4. Raccorder les tuyaux d'arrivée d'eau à la laveuse

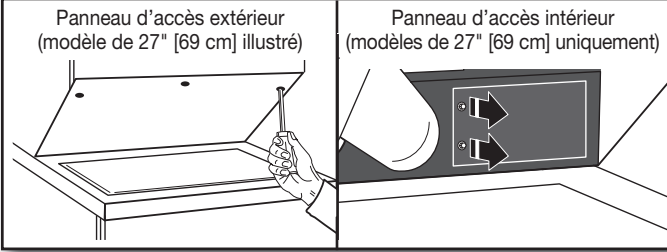


Fixer le tuyau d'eau chaude à la valve d'arrivée d'eau droite (rouge). Visser le raccord à la main jusqu'à ce qu'il soit bien serré. Serrer les raccords de deux tiers de tour supplémentaires à l'aide d'une pince. Répéter pour la valve d'arrivée d'eau froide (valve d'arrivée d'eau gauche [bleue]).

IMPORTANT : Pour réduire le risque de défaillance des tuyaux, remplacer les tuyaux tous les 5 ans. Inscrire la date d'installation ou de remplacement des tuyaux pour référence ultérieure.

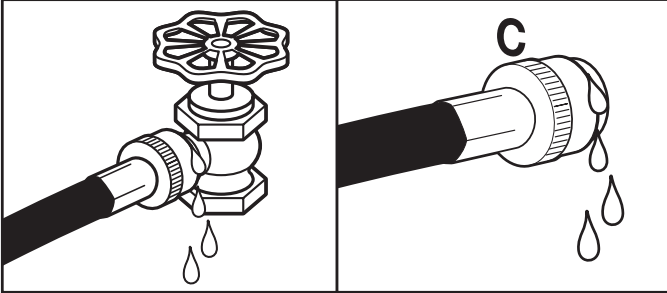
- Inspecter périodiquement les tuyaux et les remplacer en cas de renflement, de déformation, de coupure, d'usure ou si une fuite se manifeste.

5. Placer la laveuse/sécheuse à sa position finale



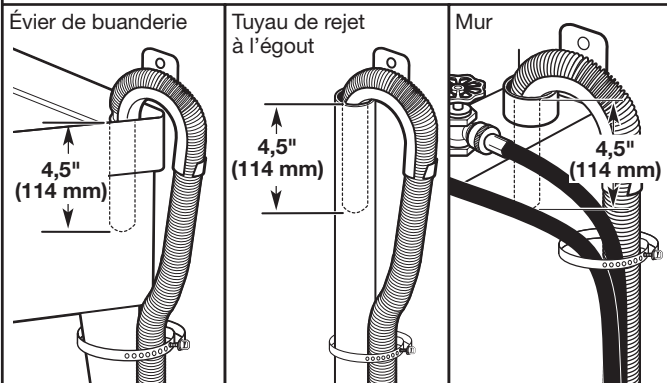
Pour un placard ou un endroit exigu : placer la laveuse/sécheuse à sa position finale et enlever le carton du dessous de la laveuse/sécheuse. Ôter le panneau d'accès extérieur en enlevant deux (modèles de 24" [61 cm]) ou trois (modèles de 27" [69 cm]) vis Phillips et un tampon (modèles de 27" [69 cm] uniquement), situés sur le dessus du panneau d'accès. Ôter le panneau d'accès intérieur (modèles de 27" [69 cm] uniquement) en enlevant le couvercle et les deux vis. Mettre les panneaux, les vis, le couvercle du panneau d'accès intérieur et le tampon de côté. Terminer l'installation des tuyaux d'eau et du conduit d'évacuation. Replacer les panneaux d'accès après installation complète de la laveuse/sécheuse.

6. Rechercher les fuites éventuelles



Ouvrir les robinets d'eau pour vérifier qu'il n'y a pas de fuite. Une petite quantité d'eau peut entrer dans la laveuse. Elle s'évacuera plus tard.

7. Immobiliser le tuyau de vidange



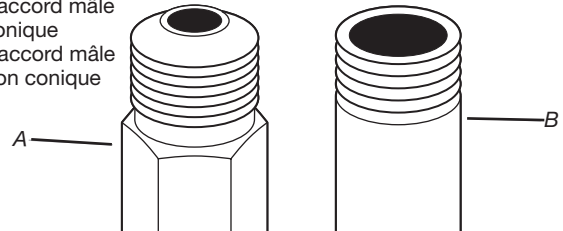
Fixer le tuyau de vidange au pied de l'évier de buanderie, au tuyau de rejet à l'égout ou aux tuyaux d'arrivée d'eau pour le tuyau de rejet à l'égout mural avec la sangle en plastique incluse en le sachet de pièces (modèles de 24" [61 cm]).

Il incombe à l'installateur d'installer et fixer solidement le tuyau de vidange à la canalisation d'évacuation de manière que le tuyau de vidange ne puisse sortir et causer d'éventuelles fuites de la canalisation d'évacuation.

Raccordement à la canalisation de gaz (modèles à gaz de 27" [69 cm] uniquement)

1. Préparation pour le raccordement de l'alimentation en gaz à la sécheuse

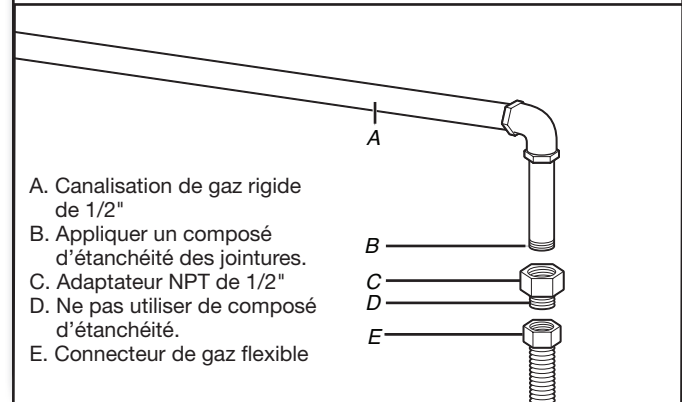
- A. Raccord mâle conique
- B. Raccord mâle non conique



Retirer le capuchon rouge du connecteur de gaz flexible. Enlever l'adaptateur NPT de 1/2" du connecteur de gaz flexible (il sera nécessaire d'utiliser deux clés à molette). Utiliser un composé d'étanchéité des tuyauteries sur tous les filetages des raccords mâles non coniques. Si on utilise un conduit métallique souple, veiller à ce qu'il ne soit pas pincé.

REMARQUE : Pour les raccordements au gaz propane, il faut utiliser un composé d'étanchéité des tuyauteries résistant à l'action du gaz propane. Ne pas utiliser de ruban TEFLON.®

2. Installer l'adaptateur



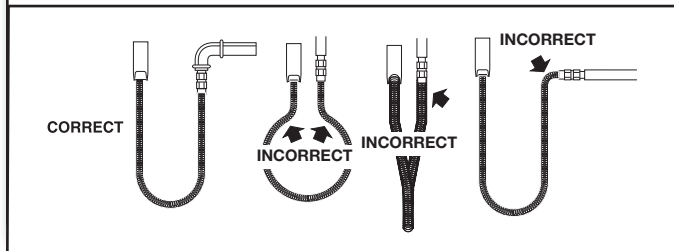
- A. Canalisation de gaz rigide de 1/2"
- B. Appliquer un composé d'étanchéité des jointures.
- C. Adaptateur NPT de 1/2"
- D. Ne pas utiliser de composé d'étanchéité.
- E. Connecteur de gaz flexible

Installer l'adaptateur sur la canalisation de gaz rigide de 1/2"; utiliser un composé d'étanchéité des jointures.

REMARQUE : Pour les raccordements au gaz propane, il faut utiliser un composé d'étanchéité des tuyauteries résistant à l'action du gaz propane. Ne pas utiliser de ruban TEFLON.®

Raccordement du conduit d'évacuation

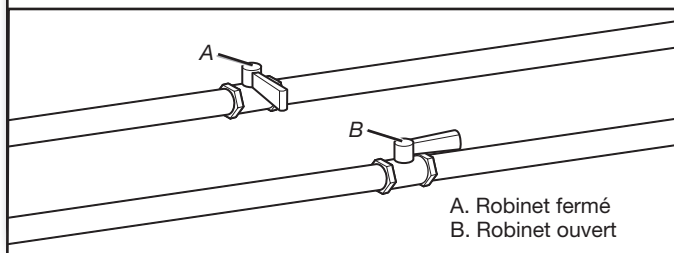
3. Connecter le connecteur



Connecter le connecteur de gaz flexible sur l'adaptateur NPT de 1/2". Ne pas appliquer de composé d'étanchéité sur cette connexion.

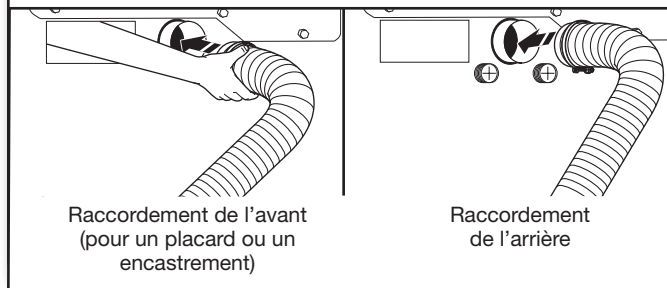
Le connecteur de gaz flexible devrait former automatiquement une boucle. On doit veiller à ne pas déformer, vriller ou écraser le connecteur de gaz flexible, et à ne faire aucun changement de direction abrupt lors de son arrimage.

4. Ouvrir le robinet d'arrêt



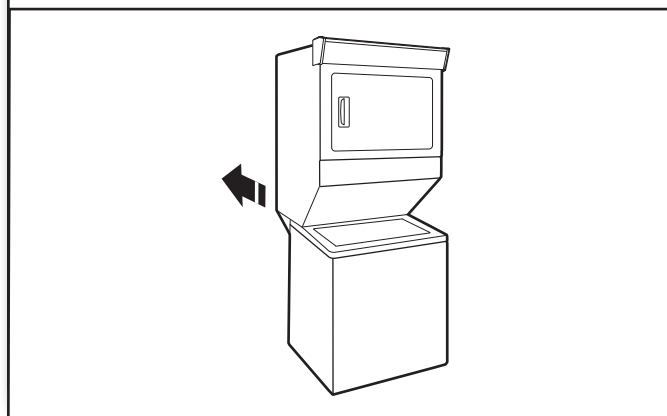
Ouvrir le robinet d'arrêt de l'alimentation. Le robinet est ouvert lorsque la poignée est parallèle au conduit d'alimentation en gaz. Vérifier tous les raccords en les badigeonnant d'une solution de détection des fuites non corrosive approuvée. L'apparition de bulles indique une fuite. Réparer toute fuite éventuelle.

1. Raccorder le conduit d'évacuation à la bouche d'évacuation (modèle de 27" [69 cm] illustré)



À l'aide d'une bride de serrage de 4" (102 mm), relier le conduit d'évacuation à la bouche d'évacuation de la sècheuse. Si on utilise le conduit d'évacuation existant, s'assurer qu'il est propre. Le conduit d'évacuation de la sècheuse doit être fixé par-dessus la bouche d'évacuation et à l'intérieur du clapet d'évacuation. Vérifier que le conduit d'évacuation est fixé au clapet d'évacuation à l'aide d'une bride de serrage de 4" (102 mm).

2. Déplacer la laveuse/sècheuse à son emplacement final



Déplacer la laveuse/sècheuse à son emplacement final, en faisant attention à ne pas déformer ou écraser le conduit d'évacuation.

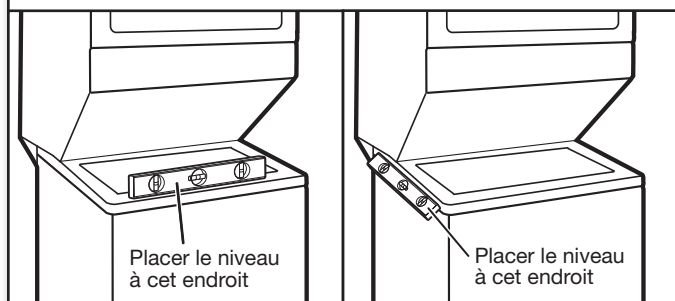
Une fois que la laveuse/sècheuse est à son emplacement définitif, ôter les cornières et le carton du dessous de la laveuse/sècheuse.

Étapes d'installation finales

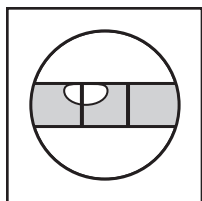
Établissement de l'aplomb de la laveuse/sécheuse

IMPORTANT : L'établissement correct de l'aplomb de la laveuse/sécheuse permet de réduire les nuisances sonores et de limiter les vibrations.

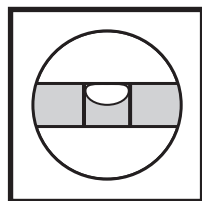
1. Contrôler l'aplomb de la laveuse/sécheuse



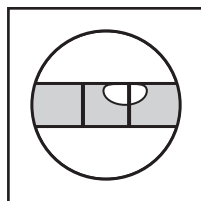
Une fois la laveuse/sécheuse est à son emplacement final, placer un niveau sur les bords supérieurs de la laveuse/sécheuse. Utiliser une rive latérale comme guide pour déterminer l'aplomb des côtés. Vérifier l'aplomb de l'avant à l'aide du couvercle, tel qu'indiqué. Faire bouger la laveuse/sécheuse d'avant en arrière pour s'assurer que les quatre pieds sont bien en contact avec le plancher. Si la laveuse/sécheuse est d'aplomb, passer à l'étape 3 (modèles de 24" [61 cm]) ou passer à "Installer les supports antibasculement" (modèles de 27" [69 cm]).



Pas d'aplomb

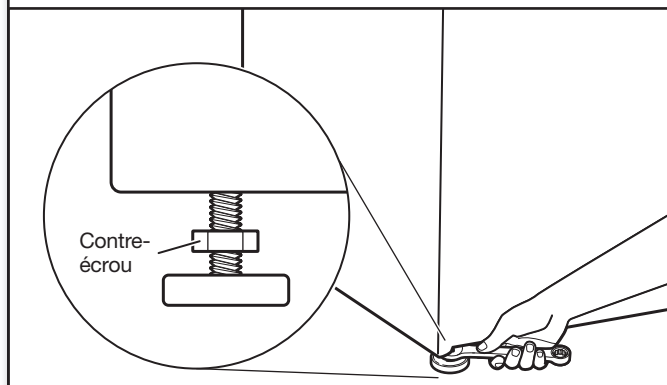


APLOMB



Pas d'aplomb

2. Ajuster les pieds de nivellement (modèle de 24" [61 cm] illustré)



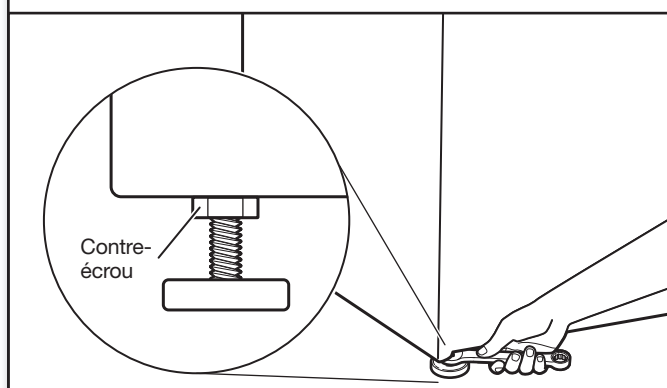
Si la laveuse/sécheuse n'est pas d'aplomb, soulever l'avant de la laveuse/sécheuse d'environ 4" (102 mm) à l'aide d'un cale en bois ou d'un objet similaire qui soutiendra le poids de la laveuse/sécheuse.

Sur les modèles de 24" (61 cm), utiliser une clé plate ou une clé à molette de 9/16" ou 14 mm pour tourner les contre-écrous dans le sens horaire jusqu'à ce qu'ils se trouvent à environ 1/2" (13 mm) de la caisse de la laveuse/sécheuse. Tourner ensuite le pied de nivellement dans le sens horaire pour abaisser la laveuse/sécheuse ou antihoraire pour la soulever.

Sur les modèles de 27" (69 cm), ajuster les pieds au besoin.

Sur tous les modèles, enlever le cale en bois et baisser la laveuse/sécheuse. Contrôler à nouveau l'aplomb de la laveuse/sécheuse et répéter au besoin.

3. Serrer les pieds de nivellement (modèles de 24" [61 cm])

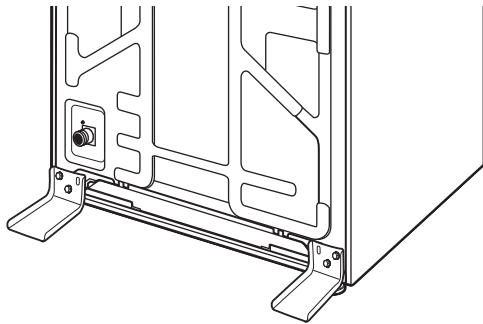


Une fois l'aplomb de la laveuse/sécheuse établi, utiliser une clé plate ou une clé à molette de 9/16" ou 14 mm pour tourner les contre-écrous sur les pieds de nivellement dans le sens anti-horaire et les serrer fermement contre la caisse de la laveuse/sécheuse.

CONSEIL UTILE : Il serait judicieux d'étayer la laveuse/sécheuse à l'aide d'un cale en bois.

Installer les supports antibasculement (modèles de 27" [69 cm] uniquement)

1. Fixer les supports antibasculement



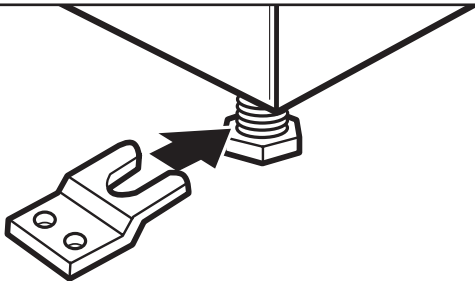
IMPORTANT : Les supports antibasculement doivent être installés sur les modèles de 27" (69 cm) afin d'éviter le renversement arrière de la laveuse/sécheuse.

Une fois la laveuse/sécheuse installée dans son emplacement final, placer les supports antibasculement aux coins gauche et droit inférieurs à l'arrière de la laveuse/sécheuse, alignant les trous pour vis des supports aux perforations dans la caisse comme indiqué.

Insérer deux des vis fournies dans les trous supérieur gauche et inférieur du support gauche et les serrer à l'aide d'une clé à douille ou d'un tourne-écrou de 1/4" (6,5 mm) afin de fixer solidement le support à la caisse de la laveuse/sécheuse. Répéter ce processus pour le support droit en utilisant les trous supérieur droit et inférieur.

Fixer la laveuse/sécheuse à gaz au sol (modèle à gaz de 27" [69 cm] installée en maison mobile uniquement)

1. Fixer la laveuse/sécheuse au sol



Pour utilisation en maison mobile : Les laveuses/sécheuses avec sècheuses à gaz doivent être bien fixés au sol.

Les installations en maison mobile nécessitent un ensemble d'installation pour maison mobile. Voir "Outillage et pièces" pour commander.

Brancher la laveuse/sécheuse : modèles électriques de 27" (69 cm) et modèles électriques de 24" (61 cm) de 240V

⚠ AVERTISSEMENT

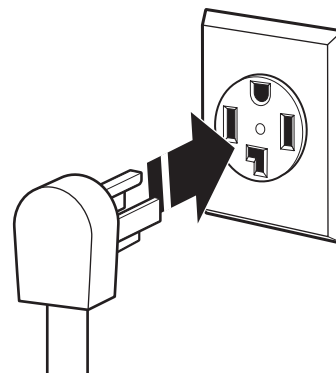


Risque de choc électrique

Brancher sur une prise à 4 alvéoles reliée à la terre.

Le non-respect de cette instruction peut causer un décès ou un choc électrique.

1. Brancher sur une prise à 4 alvéoles reliée à la terre



Brancher la laveuse/sécheuse : modèles à gaz de 27" (69 cm)

⚠ AVERTISSEMENT



Risque de choc électrique

Brancher sur une prise à 3 alvéoles reliée à la terre.

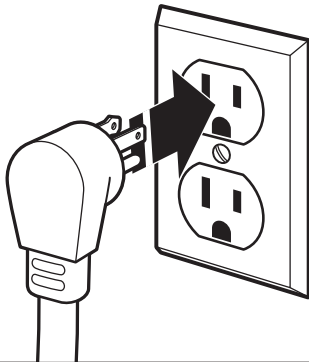
Ne pas enlever la broche de liaison à la terre.

Ne pas utiliser un adaptateur.

Ne pas utiliser un câble de rallonge.

Le non-respect de ces instructions peut causer un décès, un incendie ou un choc électrique.

1. Brancher sur une prise à 3 alvéoles reliée à la terre



Brancher la laveuse/sécheuse : modèles électriques de 24" (61 cm) de 120V

⚠ AVERTISSEMENT



Risque de choc électrique

Brancher sur une prise à 3 alvéoles reliée à la terre.

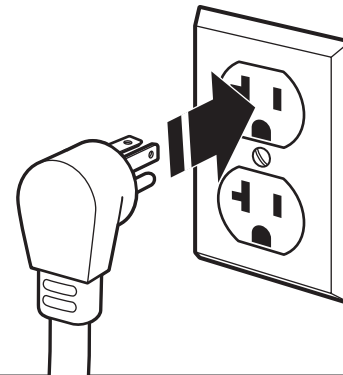
Ne pas enlever la broche de liaison à la terre.

Ne pas utiliser un adaptateur.

Ne pas utiliser un câble de rallonge.

Le non-respect de ces instructions peut causer un décès, un incendie ou un choc électrique.

1. Brancher sur une prise à 3 alvéoles de 20 amp (5-20R) reliée à la terre



Liste de vérification pour l'achèvement de l'installation

- Vérifier que toutes les pièces sont maintenant installées. S'il reste une pièce, passer en revue les différentes étapes pour découvrir laquelle aurait été oubliée.
- Vérifier la présence de tous les outils.
- Jeter ou recycler tout le matériel d'emballage. Garder la mousse plastique (modèles de 24" [61 cm]) pour utilisation ultérieure si la laveuse/sécheuse doit être déménagée.
- Vérifier l'emplacement définitif de la laveuse/sécheuse. S'assurer que le conduit d'évacuation n'est pas écrasé ou pincé.
- Vérifier que la laveuse/sécheuse est de niveau et que les pieds de nivellement sont serrés (modèles de 24" [61 cm]). Voir "Établissement de l'aplomb de la laveuse/sécheuse."

Modèles électriques :

- Modèles de 240V : Brancher sur une prise à quatre alvéoles reliée à la terre.
- Modèles de 120V : Brancher sur une prise à trois alvéoles de 20 amp reliée à la terre.

Modèles à gaz :

- Brancher sur une prise à trois alvéoles reliée à la terre.

Tous les modèles :

- Vérifier que chaque robinet d'arrivée d'eau est ouvert.
- Vérifier s'il y a des fuites autour des robinets et des tuyaux d'arrivée d'eau.
- Retirer la pellicule sur le panneau de commande et tout ruban adhésif qui reste sur la laveuse/sécheuse.
- Lire le Guide d'utilisation et d'entretien de la laveuse/sécheuse.
- Essuyer soigneusement l'intérieur du tambour de la sécheuse avec un chiffon humide pour éliminer toute trace de poussière.
- Pour tester le fonctionnement de la laveuse, verser la moitié de la quantité normale recommandée de détergent dans la laveuse. Rabattre le couvercle. Sélectionner Heavy Duty ou Heavy (service intense) (selon le modèle) et tirer START/PAUSE (mise en marche/pause). Laisser la laveuse exécuter le programme complet.

- Pour tester le fonctionnement de la sécheuse, la régler sur un programme de séchage complet (pas un programme de séchage à l'air) de 20 minutes et mettre la sécheuse en marche.

Si la sécheuse ne démarre pas, vérifier ce qui suit :

- Les commandes sont réglées à la position de marche.
- Le bouton Start (mise en marche) a été enfoncé fermement.
- La laveuse/sécheuse est branchée sur une prise reliée à la terre.
- L'alimentation électrique est connectée.
- Les fusibles du domicile sont intacts et serrés, ou les disjoncteurs ne sont pas déclenchés.
- La porte de la sécheuse est fermée.

- Après 5 minutes de fonctionnement, ouvrir la porte de la sécheuse et voir s'il y a de la chaleur.

Si aucune chaleur n'est perceptible, désactiver la sécheuse et vérifier ce qui suit :

- Sécheuses électriques : Il peut y avoir deux fusibles ou disjoncteurs pour la sécheuse. Vérifier que les deux fusibles sont intacts et serrés ou que les deux disjoncteurs ne sont pas déclenchés. S'il n'y a toujours pas de chaleur, contacter un technicien qualifié.
- Sécheuses à gaz : Vérifier si le robinet d'arrêt de la canalisation de gaz est ouvert. Si le robinet d'arrêt de la canalisation de gaz est fermé, l'ouvrir, puis répéter le test de 5 minutes tel qu'indiqué ci-dessus. Si le robinet d'arrêt de la canalisation de gaz est ouvert, contacter un technicien qualifié.

REMARQUE : Sur les modèles électriques, il est possible que la sécheuse dégage une odeur lors du chauffage initial. Cette odeur est normale lorsque l'élément chauffant est utilisé pour la première fois. L'odeur disparaîtra.

Seguridad de la lavadora/secadora

Su seguridad y la seguridad de los demás es muy importante.

Hemos incluido muchos mensajes importantes de seguridad en este manual y en su electrodoméstico. Lea y obedezca siempre todos los mensajes de seguridad.



Este es el símbolo de alerta de seguridad.

Este símbolo le llama la atención sobre peligros potenciales que pueden ocasionar la muerte o una lesión a usted y a los demás.

Todos los mensajes de seguridad irán a continuación del símbolo de advertencia de seguridad y de la palabra "PELIGRO" o "ADVERTENCIA". Estas palabras significan:

 **PELIGRO**

Si no sigue las instrucciones de inmediato, usted puede morir o sufrir una lesión grave.

 **ADVERTENCIA**

Si no sigue las instrucciones, usted puede morir o sufrir una lesión grave.

Todos los mensajes de seguridad le dirán el peligro potencial, le dirán cómo reducir las posibilidades de sufrir una lesión y lo que puede suceder si no se siguen las instrucciones.



ADVERTENCIA - "Riesgo de incendio"

- La instalación de la secadora de ropa debe estar a cargo de un instalador competente.
- Instale la secadora de ropa según las instrucciones del fabricante y los códigos locales.
- No instale una secadora de ropa con materiales de ventilación de plástico flexible o un conducto de metal flexible (de hoja de metal). Si se usa un conducto de metal flexible, éste deberá ser de un tipo específico, que esté identificado por el fabricante de electrodomésticos como apto para ser usado con secadoras de ropa. Es sabido que los materiales de ventilación flexible se derrumban, se aplastan con facilidad y atrapan pelusa. Estas condiciones obstruirán el flujo de aire de la secadora de ropa y aumentarán el riesgo de incendio.
- Para reducir el riesgo de lesiones severas o la muerte, siga todas las instrucciones de instalación.
- Guarde estas instrucciones.

ADVERTENCIA

Peligro de incendio

Si no se siguen las advertencias de seguridad con exactitud, se podrían producir lesiones graves, muertes o daños a la propiedad.

No instale un ventilador de refuerzo en el conducto de escape.

Instale todas las secadoras de ropa de acuerdo con las instrucciones de instalación del fabricante de las secadoras.

 **ADVERTENCIA:**

PELIGRO DE INCENDIO O EXPLOSIÓN

Si no se siguen las advertencias de seguridad con exactitud, se podrían producir lesiones graves, muertes o daños a la propiedad.

- No almacene o use gasolina u otros líquidos y vapores inflamables cerca de éste u otro aparato electrodoméstico.
- **PASOS QUE USTED DEBE SEGUIR SI HUELE A GAS:**
 - No trate de encender ningún aparato electrodoméstico.
 - No toque ningún interruptor eléctrico; no use ningún teléfono en su edificio.
 - Desaloje a todos los ocupantes del cuarto, edificio o área.
 - Llame inmediatamente a su proveedor de gas desde el teléfono de un vecino. Siga las instrucciones de su proveedor de gas.
 - Si usted no puede comunicarse con su proveedor de gas, llame al departamento de bomberos.
- La instalación y el servicio deben ser efectuados por un instalador calificado, una agencia de servicio o por el proveedor de gas.

ADVERTENCIA: Las pérdidas de gas no siempre se pueden detectar por el olfato.

Los proveedores de gas recomiendan que usted use un detector de gas aprobado por UL (Laboratorio de normalización) o CSA (Asociación canadiense de seguridad).

Para obtener más información, póngase en contacto con su proveedor de gas.

Si se detecta una fuga de gas, siga las instrucciones de "Pasos que usted debe seguir si huele a gas".

En el estado de Massachusetts se aplican las siguientes instrucciones de instalación:

- Las instalaciones y reparaciones se deben efectuar por un contratista, plomero o gasista calificado o licenciado por el estado de Massachusetts.
- Reemplace con dispositivos de cierre aceptables: las llaves de gas y las válvulas de bola instaladas para el uso deben estar en la lista.
- Si se usa un conector de gas flexible no debe exceder de 4 pies (121,9 cm).

IMPORTANTE: La instalación de gas debe hacerse de acuerdo con los códigos locales, o si no los hay, con el Código Nacional de Gas Combustible (National Fuel Gas Code), ANSI Z223.1/NFPA 54.

La secadora debe estar conectada a tierra de acuerdo con los códigos locales, o si no los hay, con el Código Nacional de Electricidad (National Electrical Code), ANSI/NFPA 70.

INSTRUCCIONES IMPORTANTES DE SEGURIDAD

ADVERTENCIA: A fin de reducir el riesgo de incendio, descarga eléctrica o de daño a las personas que usen la lavadora/secadora, deben seguirse las precauciones básicas, incluidas las siguientes:

- Lea todas las instrucciones antes de usar la lavadora/secadora.
- No coloque los objetos expuestos a aceite para cocinar en su secadora. Los objetos expuestos a aceites para cocinar pueden contribuir a una reacción química que podría causar que la ropa se inflame.
- Para reducir el riesgo de incendio debido a cargas contaminadas, la parte final de un ciclo en la secadora se produce sin calor (período de enfriamiento). Evite detener una secadora antes de que termine el ciclo de secado a menos que todos los objetos se saquen rápidamente y separen de modo que el calor se disipe.
- No lave o seque artículos que hayan sido previamente limpiados, lavados, remojados o humedecidos con gasolina, solventes de limpieza en seco, u otras sustancias inflamables o explosivas ya que éstas emanan vapores que podrían encenderse o causar una explosión.
- No agregue gasolina, solventes para lavar en seco, u otras sustancias inflamables o explosivas al agua de lavado. Estas sustancias emanan vapores que podrían encenderse o causar una explosión.
- No permita que los niños jueguen encima o dentro de la lavadora/secadora. Es necesario una supervisión cuidadosa de los niños cada vez que se use la lavadora/secadora cerca de ellos.
- Antes de poner la lavadora/secadora fuera de servicio o desecharla, quite las puertas a los compartimientos de la lavadora/secadora.
- No introduzca las manos en la lavadora/secadora cuando la tina, el agitador, o el tambor están movimiento.
- No instale o almacene esta lavadora/secadora donde esté expuesta al agua o a la intemperie.
- No trate de jugar con los controles.
- Limpie el filtro de pelusa antes o después de cada carga de ropa.
- En ciertas condiciones, puede generarse gas hidrógeno en un sistema de agua caliente que no se haya usado por dos semanas o un período mayor. EL GAS HIDRÓGENO ES EXPLOSIVO. Si no se ha usado el agua caliente durante dicho período, antes de usar la lavadora, abra todos los grifos de agua caliente y deje que corra el agua por varios minutos. Esto liberará todo el gas hidrógeno que se haya acumulado. Debido a la inflamabilidad de dicho gas, no fume ni use una llama abierta durante este lapso.
- No repare o reemplace ninguna pieza de la lavadora/secadora ni trate de repararla a menos que esto se recomiende específicamente en el Manual de Uso y Cuidado o en instrucciones de reparación publicadas para el usuario que usted comprenda y sólo si cuenta con la experiencia necesaria para llevar a cabo dicha reparación.
- No utilice suavizante de telas o productos para eliminar la estática de prendas a menos que lo recomiende el fabricante del suavizante de telas o del producto en uso.
- No utilice calor para secar prendas que contengan hule espuma o materiales con textura de hule similar.
- Mantenga el área alrededor de la abertura de ventilación y las áreas adyacentes a esta abertura sin pelusa, polvo o suciedad.
- La parte interior de la máquina y el ducto de escape se deben limpiar periódicamente. Esta limpieza la debe llevar a cabo un reparador calificado.
- Consulte la sección "Requisitos eléctricos" del folleto de Instrucciones de instalación para ver las instrucciones de conexión a tierra.

GUARDE ESTAS INSTRUCCIONES

Advertencias de la Proposición 65 del estado de California:

ADVERTENCIA: Este producto contiene una o más sustancias químicas identificadas por el estado de California como causantes de cáncer.

ADVERTENCIA: Este producto contiene una o más sustancias químicas identificadas por el estado de California como causantes de defectos congénitos o algún otro tipo de daños en la función reproductora.

INSTRUCCIONES IMPORTANTES DE SEGURIDAD

Antes de guardar o descartar su vieja secadora, quítele la puerta.

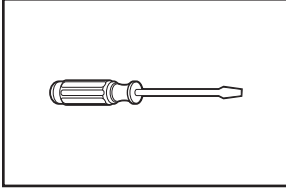
GUARDE ESTAS INSTRUCCIONES

Requisitos de instalación

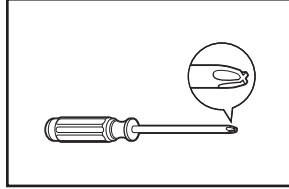
Herramientas y piezas

Reúna las herramientas y piezas necesarias antes de comenzar la instalación.

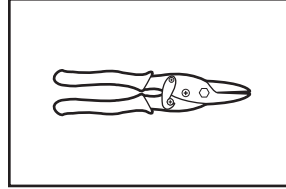
Herramientas necesarias:



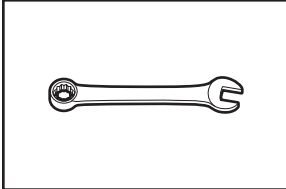
Destornillador de hoja plana



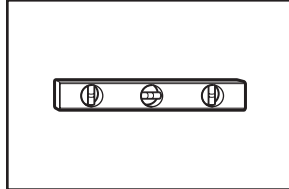
Destornillador Phillips #2



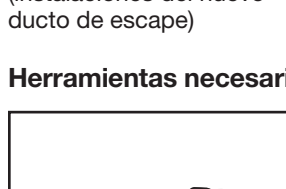
Tijeras de lata
(instalaciones del nuevo
ducto de escape)



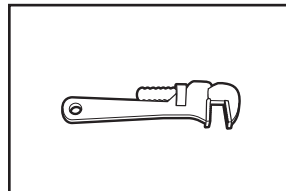
Llave ajustable o llaves
de boca de 9/16" (14 mm)



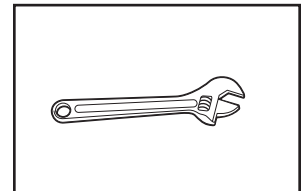
Nivel



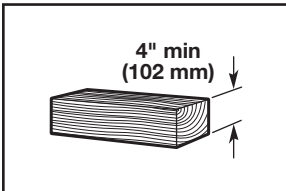
Herramientas necesarias para las instalaciones del gas:



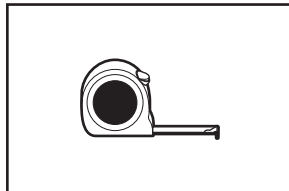
Llave para tubos de 8"
(203 mm) ó 10" (254 mm)



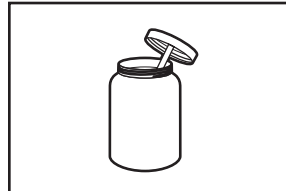
Llave ajustable de 8"
(203 mm) ó 10" (254 mm)
(para las conexiones
del gas)



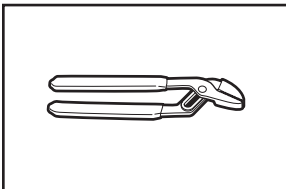
Bloque de madera



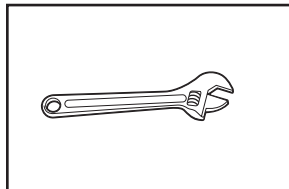
Regla o cinta para medir



Compuesto para unión
de tuberías que sea
adecuado para el tipo
de gas

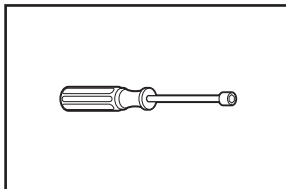


Pinzas que se abran
a 1 9/16" (39,5 mm)

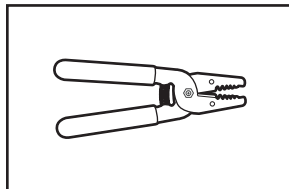


Llave ajustable que se
abra a 1" (25 mm) o
llave de cubo de cabeza
hexagonal

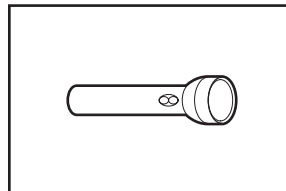
Herramientas opcionales:



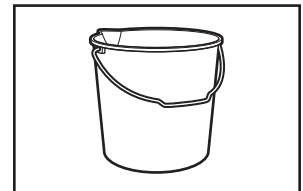
Llave de tuercas de 1/4"
(6,5 mm) (recomendado)



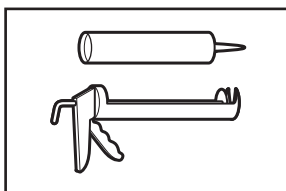
Pelacables



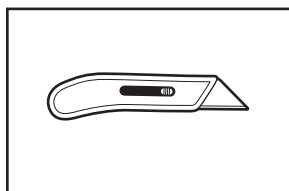
Linterna



Cubeta



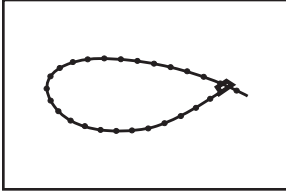
Pistola y masilla para
calafateo (para instalar
el nuevo ducto de escape)



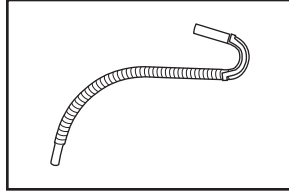
Cuchillo para uso general

Piezas suministradas:

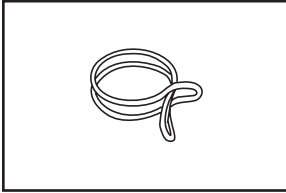
NOTA: Retire el paquete de piezas de la canasta de la lavadora. Verifique que estén todas las piezas.



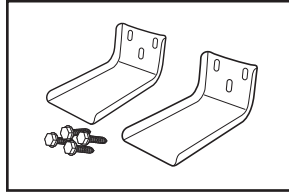
Fleje de plástico



Manguera de desagüe

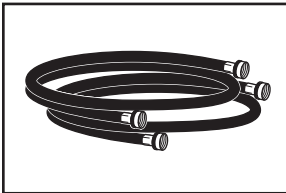


Abrazadera plateada de manguera, de doble hilo



Soportes antivuelco (2) y tornillos (4) (modelos de 27" [69 cm])

Herramientas necesarias: (no están provistas con la lavadora/secadora)



Mangueras de entrada con las arandelas planas

- Abrazaderas para ducto
- Codos para los ductos y conductos metálicos
- Juego de instalación para casas rodantes (Pieza número 346764)
- Piezas de ferretería para el sistema de ventilación de metal

Verifique los códigos locales, el suministro eléctrico y la ventilación, y lea "Requisitos eléctricos" y "Requisitos de ventilación" antes de comprar las piezas. Las instalaciones en casas rodantes requieren piezas para ducto de escape de metal que están disponibles en la tienda al por menor donde usted compró su lavadora/secadora. Para obtener más información, consulte la sección "Ayuda o servicio técnico" del Manual de uso y cuidado de la lavadora/secadora.

Equipo opcional: (no están provistas con la lavadora/secadora)

Consulte su Manual de uso y cuidado para obtener información acerca de los accesorios disponibles para su lavadora/secadora.

Piezas adicionales: (no están provistas con la lavadora/secadora)

Su instalación puede requerir piezas adicionales. Para información sobre cómo pedir, sírvase referirse a los números gratuitos ubicados en la portada de sus Instrucciones para el usuario.

Si tiene:

Una alcantarilla suspendida

Sistema de desagüe por el piso

Tubo vertical de 1" (25 mm)

Tina de lavandería o tubo vertical de más de 96" (2,4 m) de altura

Una manguera de desagüe muy corta

Desagüe obstruido por pelusa

Grifos del agua fuera del alcance de las mangueras de llenado

Necesitará adquirir:

Tina de desagüe estándar de 20 gal. (76 L) 39" (991 mm) de altura o lavadero utilitario, bomba de sumidero y conectores (disponible en tiendas locales de artículos de plomería)

Desviación de sifón, pieza número 285320
Manguera de desagüe de extensión, pieza número 285702, y Juego de conectores, pieza número 285442

Adaptador de tubo vertical de 2" (51 mm) de diámetro a 1" (25 mm) de diámetro, pieza número 3363920
Juego de conectores, pieza número 285835

Sistema de bomba de sumidero (si no ya disponible)

Manguera de desagüe de extensión, pieza número 285863
Juego de conectores, pieza número 285835

Protector del desagüe, pieza número 367031
Juego de conectores, pieza número 285835

Dos mangueras de llenado de agua más largas: de 6 pies (1,8 m), pieza número 76314, de 10 pies (3,0 m), pieza número 350008

Requisitos de ubicación

⚠️ ADVERTENCIA



Peligro de Explosión

Mantenga los materiales y vapores inflamables, tales como la gasolina, alejados de la secadora.

No instale en un garage.

No seguir estas instrucciones puede ocasionar la muerte, explosión o incendio.

La selección de un lugar apropiado para su lavadora/secadora realza el rendimiento y reduce el ruido y la posible "caminata" de la lavadora. Su lavadora/secadora puede ser instalada en un sótano, lavandería, clóset o un área empotrada.

Usted necesitará:

- Una ubicación que permita una instalación adecuada del ducto de escape. Una lavadora/secadora debe tener una salida de ventilación hacia el exterior. Vea "Requisitos de ventilación."
- Para modelos eléctricos de 27" (69 cm) et de 24" (61 cm) de 240V, un circuito separado de 30 amperios. Para modelos eléctricos de 24" (61 cm) de 120V, un circuito separado de 20 amperios. Para modelos a gas, un circuito separado de 120V de 15 o 20 amperios.
- Para modelos eléctricos de 27" (69 cm) usando un cable de suministro de energía, para modelos eléctricos de 24" (61 cm) y para modelos a gas, un contacto con conexión a tierra ubicado a unos 2 pies (610 mm) de cualquiera de los lados de la lavadora/secadora. Vea "Requisitos eléctricos."
- Un piso resistente y firme que soporte la lavadora/secadora con un peso total (de la lavadora/secadora, del agua y de la carga) de 500 libras (226,8 kg).
- Un piso nivelado con un declive máximo de 1" (25 mm) debajo de toda la lavadora/secadora. La ropa quizás no rote adecuadamente y los modelos con ciclos del sensor automático posiblemente no funcionen debidamente si la lavadora/secadora no está nivelada. No es recomendable instalar la lavadora/secadora sobre un tapete.
- Un calentador de agua fijado para suministrar el agua a la lavadora a una temperatura de 120°F (49°C).
- Grifos de agua caliente y de agua fría ubicados a una distancia de 4 pies (1,2 m) de las válvulas de llenado del agua caliente y agua fría y una presión de agua de 5–100 lb/pulg² (34,5–689,6 kPa).

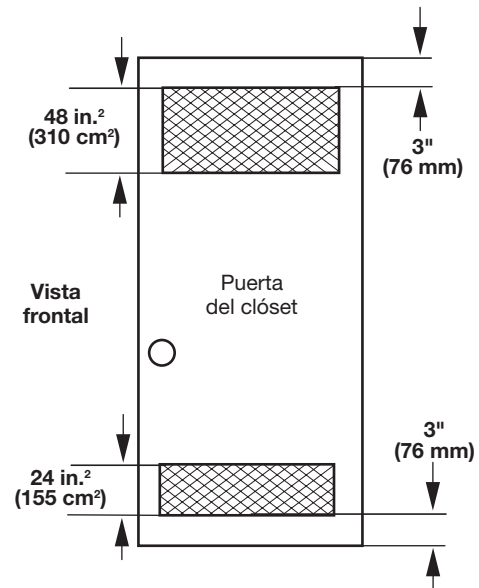
No debe instalarse ni guardarse la lavadora/secadora en un área en donde pueda estar expuesta al agua y/o a la intemperie.

No guarde ni ponga a funcionar su lavadora a una temperatura igual o inferior a 32°F (0°C). Puede quedar un poco de agua en la lavadora y ésta puede ocasionar daños a bajas temperaturas. Vea "Cuidado de la lavadora/secadora" en el Manual de uso y cuidado de la lavadora/secadora para obtener información respecto al acondicionamiento de su lavadora/secadora para el invierno.

No ponga a funcionar su secadora a temperaturas inferiores a 45°F (7°C). A temperaturas inferiores, es posible que la secadora no se apague al final de un ciclo automático. Los tiempos de secado pueden prolongarse.

Verifique los requisitos de los códigos. Algunos códigos limitan, o no permiten, la instalación de la lavadora/secadora en garajes, clósets, casas rodantes o en dormitorios. Póngase en contacto con el inspector de construcciones de su localidad.

Instrucciones para la instalación empotrada o en clóset



Se recomiendan las medidas de espacio se muestra en las páginas a continuación para esta lavadora/secadora. Esta lavadora/secadora ha sido puesta a prueba para espacios de 0" (0 mm) en los costados y en la parte posterior. El espacio recomendado debe ser considerado por los siguientes motivos:

- Debe considerarse espacio adicional para facilitar la instalación y el servicio técnico.
- Se podrían necesitar espacios libres adicionales para las molduras de la pared, de la puerta y del piso.
- Se debe considerar agregar espacio adicional en todos los lados de la lavadora/secadora para reducir la transferencia de ruido.
- Para la instalación en clóset, con una puerta, se requieren aberturas de ventilación mínimas en la parte superior e inferior de la puerta. Se aceptan puertas tipo persianas con aberturas de ventilación equivalentes.

NOTA: Para los modelos a gas, no se puede instalar otro electrodoméstico que usa combustible en el mismo clóset en que se encuentra la lavadora/secadora.

Requisitos de instalación adicionales para las casas rodantes

Esta lavadora/secadora es apropiada para instalaciones en casas rodantes. La instalación debe ajustarse al Estándar de seguridad y construcción de casas fabricadas, Título 24 CFR, Parte 3280 (anteriormente conocido como Estándar federal para la seguridad y construcción de casas rodantes, Título 24, HUD Parte 280).

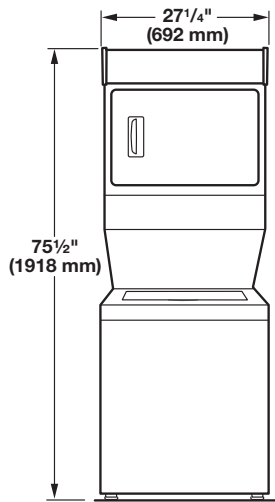
Las instalaciones en casas rodantes necesitan:

- Herramientas del sistema de escape de metal, que se encuentran disponibles para ser compradas en su distribuidor.
- Juego para la instalación en casas rodantes, pieza número 346764 (modelos a gas solamente). Vea "Herramientas y piezas" para obtener información sobre pedidos.
- Se deben tomar medidas especiales en el caso de casas rodantes para introducir el aire del exterior en la secadora. La abertura (como la de una ventana adyacente) deberá ser por lo menos el doble de tamaño que la abertura de ventilación de la secadora.

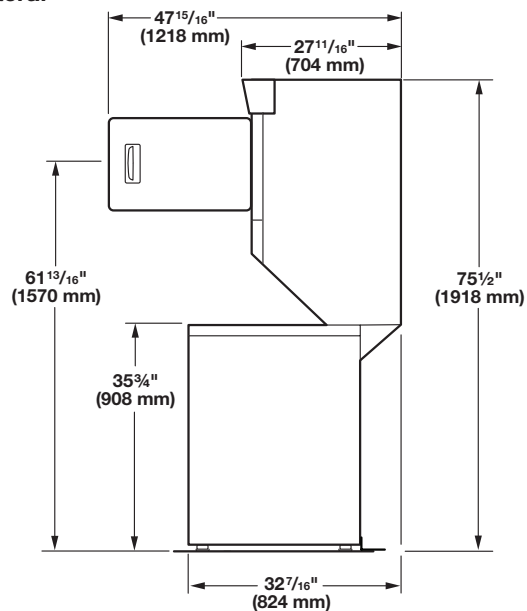
Dimensiones y espacios libres, modelos de 27" (69 cm)

Dimensiones

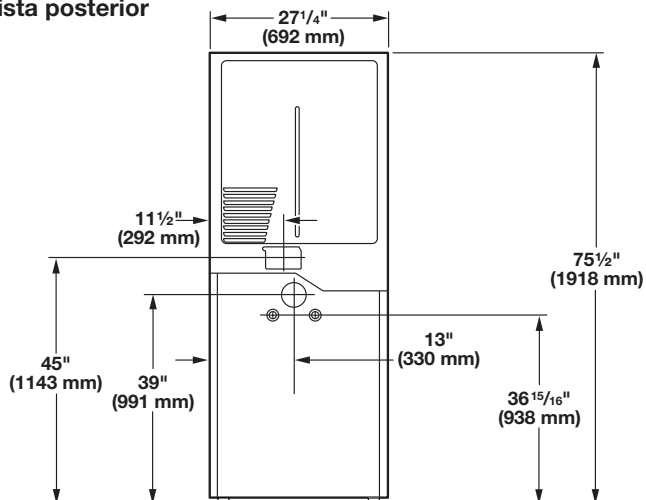
Vista frontal



Vista lateral

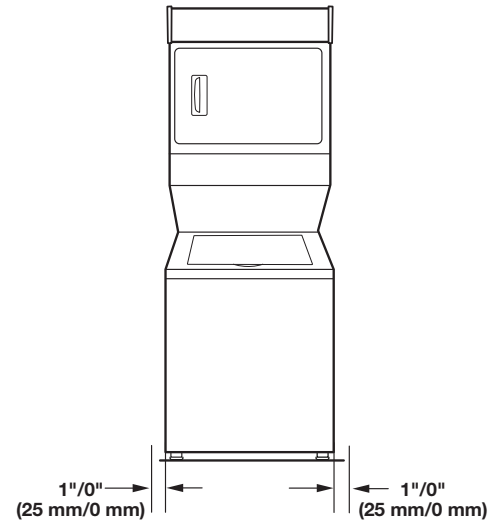


Vista posterior

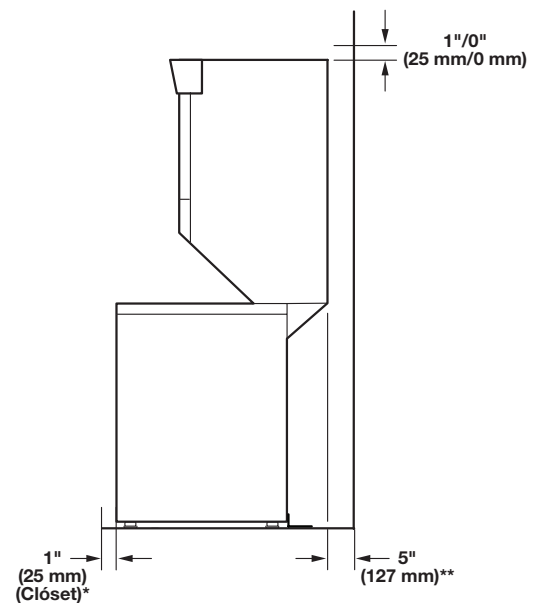


Espacios libres

Espacios libres laterales (recomendado/mínimo)



Espacios libres en la parte frontal, posterior y superior (recomendado/mínimo)



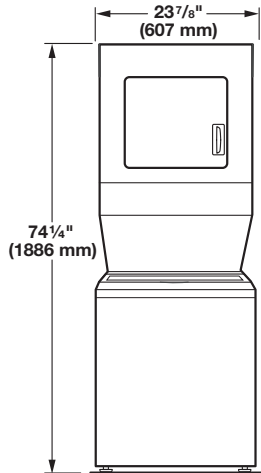
*Espacio necesario.

**Cuando el sistema de ventilación de la casa está alineado directamente con la ventilación de la secadora, el espacio de atrás puede ser de 0" (0 mm).

Dimensiones y espacios libres, modelos de 24" (61 cm)

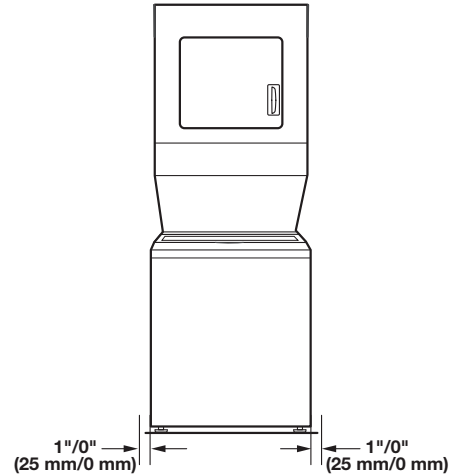
Dimensiones

Vista frontal

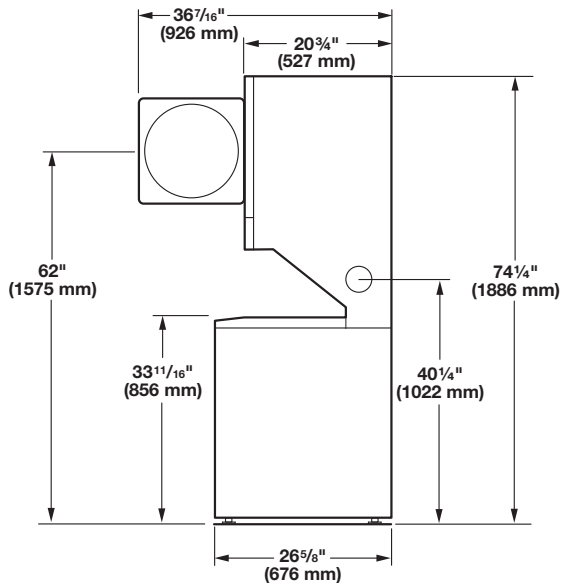


Espacios libres

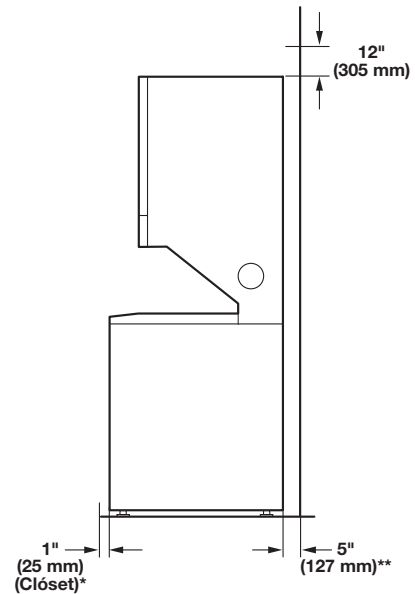
Espacios libres laterales (recomendado/mínimo)



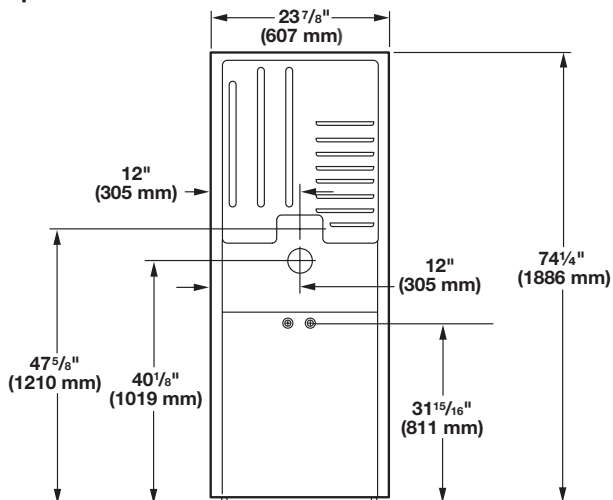
Vista lateral



Espacios libres en la parte frontal, posterior y superior



Vista posterior



*Espacio necesario.

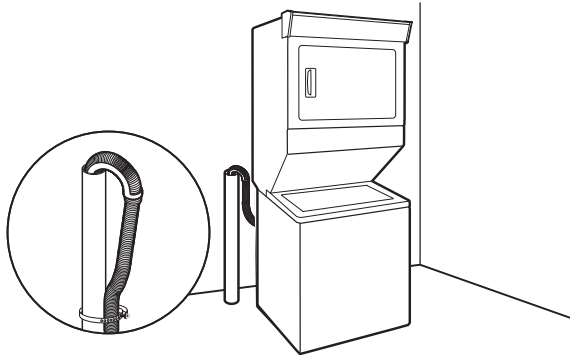
**Cuando el sistema de ventilación de la casa está alineado directamente con la ventilación de la secadora, el espacio de atrás puede ser de 0" (0 mm).

Sistema de desagüe

Se puede instalar el sistema de desagüe utilizando un desagüe por tubo vertical (en el piso o en la pared), un sistema de desagüe por el piso o el sistema de desagüe por la tina de lavadero. Seleccione el método que necesita.

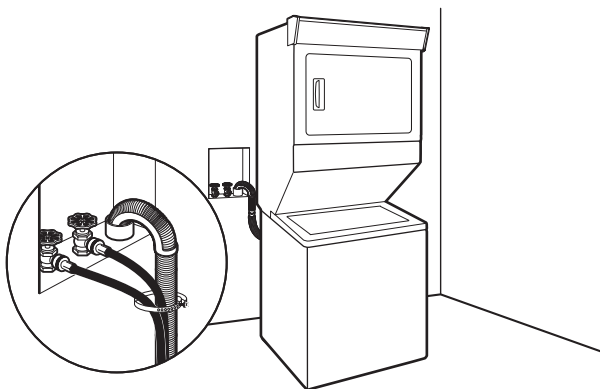
Sistema de desagüe por tubo vertical de piso

El desagüe por tubo vertical necesita un tubo vertical con un diámetro mínimo de 2" (51 mm). La capacidad mínima de desagüe no puede ser menor de 17 gal (64 L) por minuto. La parte superior del tubo vertical debe tener una altura mínima de 39" (991 mm) y máxima de 96" (2,4 m) desde la parte inferior de la lavadora/secadora. Si debe instalar a más de 96" (2.4 m), necesitará un sistema de bomba de sumidero.



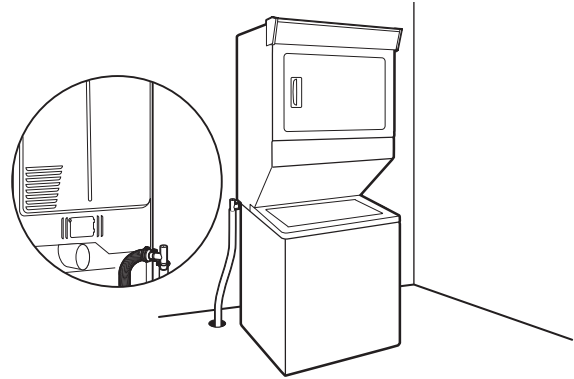
Sistema de desagüe por tubo vertical de pared

Vea los requisitos para el sistema de desagüe por tubo vertical de piso.



Sistema de desagüe por el piso

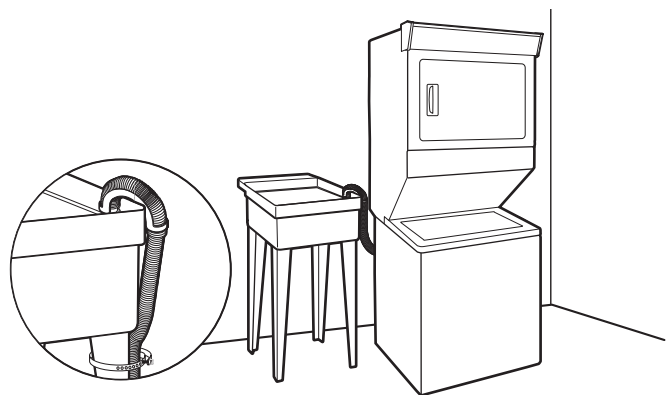
Un sistema de desagüe por el piso requiere de un juego de desviación de sifón (pieza número 285834), dos juegos de conectores (pieza número 285385) y una manguera de desagüe de extensión (pieza número 285863), la cual puede comprarse por separado. Para ordenar, sírvase consultar los números gratuitos en el Manual de uso y cuidado. Desviación de sifón mínima: 28" (710 mm) de la base de la lavadora/secadora. (Se pueden necesitar mangueras adicionales.)



Sistema de desagüe de tina de lavadero

La tina de lavadero necesita una capacidad mínima de 20 gal. (76 L). La parte superior de la tina de lavadero debe estar a una altura mínima de 39" (991 mm) del piso (modelos de 27" [69 cm]) o una altura mínima de 34" (864 mm) (modelos de 24" [61 cm]); instálela a no más de 96" (2,4 m) de la base de la lavadora/secadora.

IMPORTANTE: Para evitar el efecto de sifón, no debe haber más de 4,5" (114 mm) de manguera de desagüe dentro del tubo vertical o debajo de la parte superior de la tina de lavado. Asegure la manguera de desagüe con un fleje de plástico.



Requisitos eléctricos, modelos eléctricos de 240V

⚠ ADVERTENCIA



Peligro de Choque Eléctrico

Conecte a un contacto de pared de conexión a tierra de 3 ó 4 terminales.

No quite la terminal de conexión a tierra.

No use un adaptador.

No use un cable eléctrico de extensión.

No seguir estas instrucciones puede ocasionar la muerte, incendio o choque eléctrico.

- Asimismo se recomienda usar un cortacircuitos independiente que preste servicio únicamente a este aparato.
- Para reducir la posibilidad de choques eléctricos, el cable de alimentación debe enchufarse a un tomacorriente de pared equivalente de 3 ó 4 vías con conexión a tierra, de acuerdo con todos los códigos y reglamentos locales. Si no se dispone de un tomacorriente equivalente, es la responsabilidad y obligación personal del usuario ordenar a un electricista calificado la instalación de un tomacorriente apropiado, conectado a tierra.
- Si está permitido en los códigos y se utiliza un alambre a tierra separado, es recomendable que un electricista calificado determine cuál es la ruta adecuada a tierra.
- Si no está seguro que su lavadora/secadora está conectada a tierra correctamente, haga que un electricista calificado lo compruebe.
- No instale un fusible en el circuito neutral o de tierra.

Usted es responsable de:

- Ponerse en contacto con un instalador eléctrico calificado.
 - Asegurarse de que la conexión eléctrica sea adecuada y de conformidad con el Código Nacional Eléctrico, ANSI/NFPA 70 – última edición y con todos los códigos y ordenanzas locales.
- Usted puede obtener una copia de las normas de los códigos arriba indicadas en: National Fire Protection Association, One Batterymarch Park, Quincy, MA 02269.
- Proveer el suministro eléctrico requerido de 3 ó 4 hilos, monofásico, de 120/240 voltios, 60 Hz, CA solamente (o un suministro eléctrico de 3 ó 4 hilos, de 120/208 voltios, si se especifica en la placa indicadora de clasificación/de la serie) en un circuito separado de 30 amperios, protegido con fusibles en ambos lados de la línea. Se recomienda un fusible retardador o un cortacircuitos. Conéctelo a un circuito derivado individual.
 - No use un cable eléctrico de extensión.

Conexión eléctrica

Para instalar su secadora adecuadamente, usted debe determinar el tipo de conexión eléctrica que va a usar y seguir las instrucciones que aquí se proveen para el caso.

- Esta lavadora/secadora ha sido manufacturada lista para ser instalada en una conexión de suministro de energía eléctrica de 3 hilos. El conductor de puesta a tierra neutro está permanentemente conectado al conductor neutral (cable blanco), dentro de la secadora. Si la secadora está instalada con una conexión de suministro eléctrico de 4 hilos, el conductor neutro de puesta a tierra se debe quitar del conector de puesta a tierra exterior (tornillo verde) y se debe ajustar debajo de la terminal neutra (cable central o blanco) del bloque de terminal. Cuando el conductor neutro de puesta a tierra esté ajustado debajo de la terminal neutra (cable central o blanco) del bloque de terminal, la carcasa de la secadora queda aislada del conductor neutral.
- Si los códigos locales no permiten la conexión de un conductor neutro conectado a tierra al hilo neutro, vea la sección “Conexión opcional de 3 hilos” en la sección “Conexión eléctrica.”
- Deberá usarse una conexión con suministro de energía de 4 hilos cuando el aparato esté instalado en una ubicación en la cual esté prohibida la conexión a tierra a través del conductor neutro. Está prohibido hacer la puesta a tierra a través del conductor neutro para (1) las nuevas instalaciones de circuito derivado, (2) casas rodantes, (3) vehículos de recreación y (4) áreas donde los códigos locales prohíben la conexión a tierra a través del conductor neutro.

Si emplea un cable de suministro eléctrico:

Use un juego de cable de suministro de energía que esté en la lista de UL, para ser usado con secadoras de ropa. El juego deberá incluir:

- Un cable de suministro de energía de 30 amperios que esté en la lista de UL, de 120/240 voltios como mínimo. El cable deberá ser del tipo SRD o SRDT y tener por lo menos 4 pies (1,22 m) de largo. Los hilos que lo conectan a la secadora deben acabar en terminales de anillo o de horquilla en forma de “U” con los extremos hacia arriba.
- Un protector de cables que esté en la lista de UL.

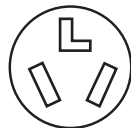
Si el contacto de pared luce como éste:



Contacto de 4 hilos (14-30R)

Entonces elija un cable de suministro eléctrico de 4 hilos con terminales de anillo o de horquilla y con protector de cables que esté en la lista de UL. El cordón de suministro de corriente de 4 hilos, de por lo menos 4 pies (1,22 m) de largo, debe tener 4 hilos de cobre de calibre 10 y encajar en un tomacorriente para 4 hilos de NEMA Tipo 14-30R. El hilo de puesta a tierra (conductor de puesta a tierra) debe ser verde o desnudo. El conductor neutral debe ser identificado con una cubierta blanca.

Si el contacto de pared luce como éste:



Contacto de 3 hilos (10-30R)

Entonces elija un cable de suministro eléctrico de 3 hilos con terminales de anillo o de horquilla y con protector de cables que esté en la lista de UL. El cable de suministro de corriente de 3 hilos, de por lo menos 4 pies (1,22 m) de largo, debe tener 3 hilos de cobre de calibre 10 y encajar en un tomacorriente para 3 hilos de NEMA Tipo 10-30R.

Si hace la conexión con cableado directo (modelos de 27" [69 cm] solamente):

El cable de suministro eléctrico debe ser igual al suministro eléctrico (de 4 hilos o de 3 hilos) y debe ser:

- Cable blindado flexible o cable de cobre forrado no metálico (con hilo de puesta a tierra), cubierto con un conducto metálico flexible. Todos los hilos conductores de corriente deben estar aislados.
- Hilo de cobre sólido de calibre 10 (no utilice aluminio).
- Tener por lo menos 5 pies (1,52 m) de longitud.

INSTRUCCIONES PARA LA CONEXIÓN A TIERRA

Para una lavadora/secadora conectada a tierra con cable eléctrico:

Esta lavadora/secadora debe conectarse a tierra. En caso de funcionamiento defectuoso o avería, la conexión a tierra reducirá el riesgo de choque eléctrico al proporcionar una vía de menor resistencia para la corriente eléctrica. Esta lavadora/secadora viene equipada con un cable eléctrico que tiene un conductor de conexión a tierra del equipo y un enchufe con conexión a tierra. El enchufe debe conectarse en un contacto de pared apropiado que haya sido debidamente instalado y conectado a tierra de conformidad con todos los códigos y ordenanzas locales.

ADVERTENCIA: La conexión incorrecta de la terminal de conexión a tierra del equipo puede ocasionar un riesgo de choque eléctrico. Consulte con un electricista o técnico en reparaciones calificado si tiene duda alguna en cuanto a la conexión a tierra correcta del electrodoméstico.

No modifique el enchufe provisto con el electrodoméstico. Si éste no encaja en el contacto de pared, pida a un electricista calificado que le instale un contacto de pared apropiado.

Para una lavadora/secadora con contacto eléctrico permanente:

Esta lavadora/secadora debe estar conectada a un sistema de cableado de metal permanente, conectado a tierra, o se debe tender un conducto para la conexión a tierra del equipo con los conductores de circuito y conectado a la terminal de tierra del equipo o al conductor de suministro del electrodoméstico.

GUARDE ESTAS INSTRUCCIONES

Requisitos eléctricos, modelos eléctricos de 120V (modelos de 24" [61 cm] solamente)

- Asimismo se recomienda usar un cortacircuitos independiente que preste servicio únicamente a este aparato.
- Modelos de 120V vienen equipados con un cable de suministro de energía dotado de un enchufe de 3 terminales con conexión a tierra para ser enchufado en un tomacorriente de pared de 5-20R de 20 amperios.
- Para reducir la posibilidad de choques eléctricos, el cable de alimentación debe enchufarse a un tomacorriente de pared equivalente de 3 vías con conexión a tierra, de acuerdo con todos los códigos y reglamentos locales. Si no se dispone de un tomacorriente equivalente, es la responsabilidad y obligación personal del usuario ordenar a un electricista calificado la instalación de un tomacorriente apropiado, conectado a tierra.
- Si está permitido en los códigos y se utiliza un alambre a tierra separado, es recomendable que un electricista calificado determine cuál es la ruta adecuada a tierra.
- Si no está seguro que su lavadora/secadora está conectada a tierra correctamente, haga que un electricista calificado lo compruebe.
- No instale un fusible en el circuito neutral o de tierra.
- Se necesita un suministro eléctrico de 120 voltios, 60 hertzios, CA solamente, de 20 amperios y protegido con fusibles. Se recomienda un fusible retardador o un cortacircuitos.



Contacto de 5-20R

Usted es responsable de:

- Ponerse en contacto con un instalador eléctrico calificado.
- Asegurarse de que la conexión eléctrica sea adecuada y de conformidad con el Código Nacional Eléctrico, ANSI/NFPA 70 – última edición y con todos los códigos y ordenanzas locales.
Usted puede obtener una copia de las normas de los códigos arriba indicadas en: National Fire Protection Association, One Batterymarch Park, Quincy, MA 02269.
- No use un cable eléctrico de extensión.

Requisitos eléctricos, modelos a gas (modelos de 27" [69 cm] solamente

⚠ ADVERTENCIA



Peligro de Choque Eléctrico

Conecte a un contacto de pared de conexión a tierra de 3 terminales.

No quite la terminal de conexión a tierra.

No use un adaptador.

No use un cable eléctrico de extensión.

No seguir estas instrucciones puede ocasionar la muerte, incendio o choque eléctrico.

- Esta lavadora/secadora viene equipada con un cable de suministro de energía dotado de un enchufe de 3 terminales con conexión a tierra.
- Para reducir la posibilidad de choques eléctricos, el cable de alimentación debe enchufarse a un tomacorriente de pared equivalente de 3 vías con conexión a tierra, de acuerdo con todos los códigos y reglamentos locales. Si no se dispone de un tomacorriente equivalente, es la responsabilidad y obligación personal del usuario ordenar a un electricista calificado la instalación de un tomacorriente apropiado, conectado a tierra.
- Si está permitido en los códigos y se utiliza un alambre a tierra separado, es recomendable que un electricista calificado determine cuál es la ruta adecuada a tierra.
- No conecte a tierra a un tubo de gas.
- Si no está seguro que su lavadora está conectada a tierra correctamente, haga que un electricista calificado lo compruebe.
- No instale un fusible en el circuito neutral o de tierra.
- Se necesita un suministro eléctrico de 120 voltios, 60 hertzios, CA solamente, de 15 ó 20 amperios y protegido con fusibles. Se recomienda un fusible retardador o un cortacircuitos. Asimismo se recomienda el uso de un circuito independiente que preste servicio únicamente a esta lavadora/secadora.

INSTRUCCIONES PARA LA CONEXIÓN A TIERRA

- Para la conexión de una lavadora/secadora mediante cable eléctrico conectado a tierra:
Esta lavadora/secadora debe estar conectada a tierra. En el caso de funcionamiento defectuoso o avería, la conexión a tierra reducirá el riesgo de choque eléctrico al proporcionar una vía de menor resistencia para la corriente eléctrica. Esta lavadora/secadora está equipada con un cable que cuenta con un conductor para la conexión a tierra del equipo y un enchufe de conexión a tierra. El enchufe debe conectarse en un contacto apropiado, que esté debidamente instalado y conectado a tierra de acuerdo con todos los códigos y ordenanzas locales.

ADVERTENCIA: La conexión indebida del conductor para la conexión a tierra del equipo puede ocasionar un riesgo de choque eléctrico. Verifique con un electricista, representante o personal de servicio técnico calificado para asegurarse de que la conexión a tierra de la lavadora/secadora sea apropiada. No modifique el enchufe proporcionado con la secadora. Si no encaja en el contacto, contrate un electricista calificado para que instale un contacto adecuado.

GUARDE ESTAS INSTRUCCIONES

Requisitos del suministro de gas, modelos a gas (modelos de 27" [69 cm] solamente)

⚠ ADVERTENCIA



Peligro de Explosión

Use una línea de suministro de gas nueva con aprobación CSA Internaciónal.

Instale una válvula de cierre.

Apriete firmemente todas las conexiones de gas.

Si se conecta a un suministro de gas propano, la presión no debe exceder una columna de agua de 330 mm (13 pulg) y debe ser verificada por una persona calificada.

Ejemplos de una persona calificada incluyen: personal de servicio del sistema de calefacción con licencia, personal autorizado de la compañía de gas, y personal autorizado para dar servicio.

No seguir estas instrucciones puede ocasionar la muerte, explosión o incendio.

TIPO DE GAS

Gas natural:

Esta lavadora/secadora está equipada para uso con gas natural. Está certificada por UL para uso con gas propano con conversión apropiada.

- Su lavadora/secadora debe tener el quemador adecuado para el tipo de gas que tiene en su casa. La información respecto al quemador está ubicada en la placa de clasificación que está en la cavidad de la puerta de su secadora. Si esta información no está de acuerdo con el tipo de gas disponible, póngase en contacto con el distribuidor o llame a los números de teléfono mencionados en la sección "Ayuda o servicio técnico" de su Manual de uso y cuidado.

Conversión del gas propano:

IMPORTANTE: La conversión deberá llevarla a cabo un técnico de servicio calificado.

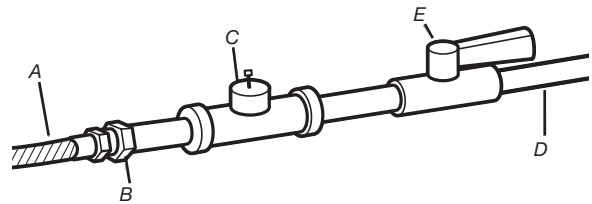
No se deberá intentar convertir el aparato del gas especificado en la placa indicadora del modelo/de la serie para utilizar un gas distinto sin consultar con el proveedor de gas.

LÍNEA DE SUMINISTRO DE GAS

- Debe incluir una derivación tapada NPT de por lo menos 1/8," accesible para la conexión del manómetro de prueba, inmediatamente arriba de la conexión de suministro de gas a la lavadora/secadora. Vea la ilustración abajo.
- Se recomienda un tubo IPS de 1/2."
- Debe tener una válvula de cierre:

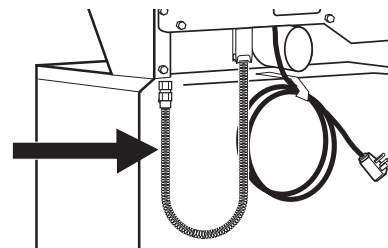
En EE.UU.:

Debe instalarse una válvula de cierre individual manual a una distancia de no más de seis (6) pies (1,8 m) de la lavadora/secadora, de acuerdo con el Código Nacional de Gas combustible (National Fuel Gas Code), ANSI Z223.1. La válvula deberá ubicarse en un lugar donde se pueda alcanzar con facilidad para cerrarla y abrirla.



- A. Conector de gas flexible de 3/8"
- B. Adaptador NPT de 1/2"
- C. Derivación tapada NPT de por lo menos 1/8"
- D. Línea de suministro de gas NPT de 1/2"
- E. Válvula de cierre de gas

Esta lavadora/secadora viene con su propio conector de gas flexible permanente, cuyo diseño está certificado por CSA International, para conectar la lavadora/secadora a la línea de suministro de gas.



Conector de gas flexible

Quite el embalaje de hule espuma (modelos de 24" [61 cm])

CONEXIÓN DE SECADORA DEL GAS

Opción 1

Línea de suministro de gas rígida:

- Conecte la lavadora/secadora a la línea de suministro de gas rígida usando el adaptador NPT de 1/2" entre la línea de suministro de gas y el conector de gas flexible de la lavadora/secadora.

Opción 2

Tubería aprobada de aluminio o de cobre:

- Es aceptable una tubería aprobada de aluminio o cobre de 3/8" para las longitudes menores a 20 pies (6,1 m), si lo permiten los códigos locales y el proveedor de gas.
- Si usted está usando gas natural, no use tubería de cobre.
- Para las longitudes mayores a los 20 pies (6,1 m) se deberán usar tuberías más largas y un accesorio adaptador de tamaño distinto.
- Si su lavadora/secadora ha sido convertida para usar gas propano, se puede usar tubería de cobre compatible de propano de 3/8". Si la longitud total de la línea de suministro es mayor que 20 pies (6,1 m), use un tubo más largo.

NOTA: Deben usarse compuestos para uniones de tubería que sean resistentes a la acción del gas propano. No utilice cinta TEFLON.[†]

REQUISITOS DE LA CONEXIÓN SUMINISTRO DE GAS

- Use el adaptador NPT de 1/2" entre la línea de suministro de gas y el conector de gas flexible de la lavadora/secadora.
- Use solamente compuesto para unión de tuberías. No utilice cinta TEFLON.[†]

REQUISITOS DE ENTRADA DEL QUEMADOR

Elevaciones hasta 10.000 pies (3.048 contadores):

- El diseño de esta lavadora/secadora está certificado por CSA International para uso en altitudes que alcancen los 10.000 pies (3.048 m) sobre el nivel del mar en la categoría de BTU indicada en la placa del número de modelo/serie. No se requieren ajustes de la entrada del quemador cuando se usa la lavadora/secadora hasta esta altitud.

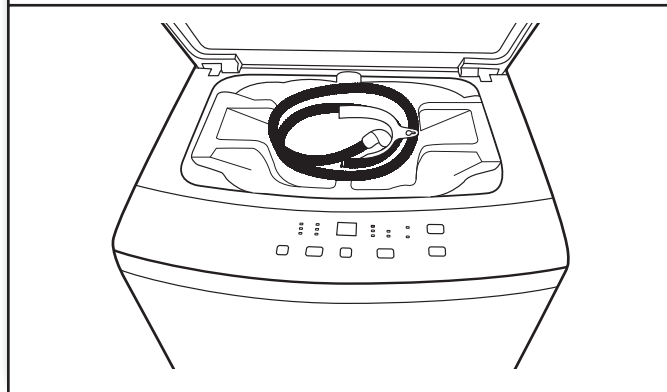
Elevaciones sobre 10.000 pies (3.048 contadores):

- Si se instala la secadora a un nivel superior a los 10.000 pies (3.048 m) de altitud, se requiere una reducción de 4 % de la categoría BTU del quemador, que se muestra en la placa del número de modelo/serie, por cada incremento de 1.000 pies (305 m) de altitud.

Prueba de presión del suministro de gas

- Durante pruebas de presión a presiones mayores de 1/2 lb/pulg.² la lavadora/secadora debe ser desconectada de la tubería del suministro de gas.

1. Retire el anillo de embalaje de hule espuma fuera de la lavadora



Abra la tapa de la lavadora. El seguro debajo de la secadora mantendrá la tapa abierta. Retire el anillo de embalaje de hule espuma y la manguera de desagüe fuera de la lavadora.

NOTA: Conserve el anillo de hule espuma y úselo durante el transporte de su lavadora/secadora. Este material de embalaje se usa para estabilizar la lavadora durante el transporte.

[†]TEFLON es una marca registrada de Chemours.

Conexión eléctrica, modelos eléctricos de 27" (69 cm) (EE.UU. solamente)

Cable de suministro de energía

⚠ ADVERTENCIA



Peligro de Incendio

Use un cable de suministro eléctrico nuevo de 30 amperes que esté en la lista de UL.

Use un protector de cables que esté en la lista de UL.

Desconecte el suministro eléctrico antes de hacer las conexiones eléctricas.

Conecte el alambre neutro (el blanco o el del centro) al terminal central.

El alambre de tierra (el verde o el no aislado) se debe conectar con el conector verde de tierra.

Conecte los 2 alambres de suministro restantes con las 2 terminales restantes (las doradas).

Apriete firmemente todas las conexiones eléctricas.

No seguir estas instrucciones puede ocasionar la muerte, incendio, o choque eléctrico.

Cable directo

⚠ ADVERTENCIA



Peligro de Incendio

Utilice alambre de cobre de calibre 10.

Use un protector de cables que esté en la lista de UL.

Desconecte el suministro eléctrico antes de hacer las conexiones eléctricas.

Conecte el alambre neutro (el blanco o el del centro) a la terminal central.

El alambre de tierra (el verde o el no aislado) se debe conectar con el conector verde de tierra.

Conecte los 2 alambres de suministro restantes con las 2 terminales restantes (las doradas).

Apriete firmemente todas las conexiones eléctricas.

No seguir estas instrucciones puede causar la muerte, incendio o choque eléctrico.

Opciones de conexión

1. Seleccione el tipo de conexión eléctrica



Contacto de 4 hilos (tipo NEMA 14-30R): Vaya a "Cómo hacer la conexión de 4 hilos: Cable de suministro de energía." Después vaya a "Requisitos de ventilación."



Contacto de 3 hilos (tipo NEMA 10-30R): Vaya a "Cómo hacer la conexión de 3 hilos: Cable de suministro de energía." Después vaya a "Requisitos de ventilación."



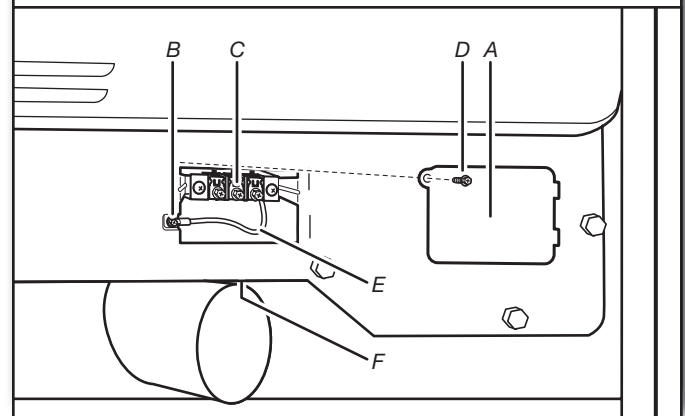
Cable directo de 4 hilos: Vaya a "Conexión por cable directo de 4 hilos." Después vaya a "Requisitos de ventilación."



Cable directo de 3 hilos: Vaya a "Conexión por cable directo de 3 hilos." Después vaya a "Requisitos de ventilación."

NOTA: Si los códigos locales no permiten la conexión de un conductor para conexión a tierra de la carcasa al hilo neutro, prosiga a "Cómo hacer la conexión de 3 hilos opcional." Esta conexión se puede utilizar con un cable de suministro de energía o un cable directo.

2. Quite la tapa del bloque de terminal



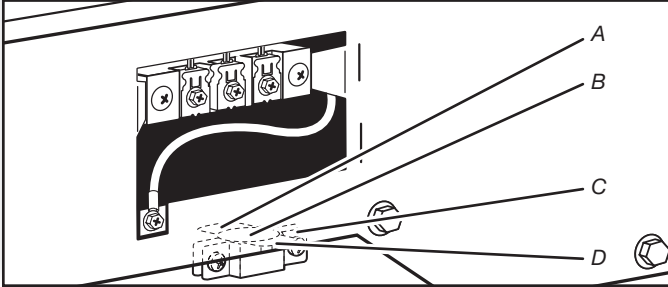
Desconecte el suministro de energía antes de comenzar. Quite el tornillo de sujeción (D) y la tapa del bloque de terminal (A).

- A. Tapa del bloque de terminal
- B. Tornillo conductor a tierra externo
- C. Tornillo central del bloque de terminal
- D. Tornillo de sujeción
- E. Hilo neutro de puesta a tierra
- F. Orificio debajo de la abertura del bloque de terminal

Conexión de cable de suministro de energía

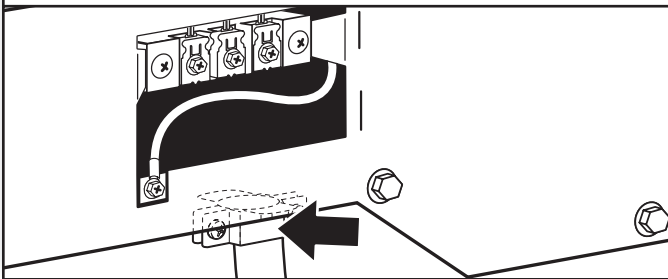
Protector de cables del cable de suministro de energía

1. Sujete el protector de cables del cable de suministro de energía



Quite los tornillos de un protector de cables de 3/4" (19 mm) que esté en la lista de UL. Coloque las lengüetas de las dos secciones de la abrazadera (C) en el orificio que está debajo de la abertura del bloque de terminal (B) de manera que una lengüeta esté apuntando hacia arriba (A) y la otra esté apuntando hacia abajo (D), y sujételas en su lugar. Apriete los tornillos del protector de cables sólo lo suficiente para mantener las dos secciones de la abrazadera (C) juntas.

2. Sujete el cable de suministro de energía al protector de cables



Haga pasar el cable de suministro de energía a través del protector de cables. Asegúrese de que el aislamiento de cables del cable de suministro de energía esté dentro del protector de cables. El protector de cables deberá encajar de manera ajustada con la carcasa de la secadora y estar en posición horizontal. No ajuste más los tornillos del protector de cables en este momento.

Si el contacto de pared luce como éste:



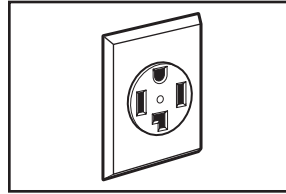
Contacto de 4 hilos (tipo NEMA 14-30R): Vaya a "Cómo hacer la conexión de 4 hilos: Cable de suministro de energía" en esta página.



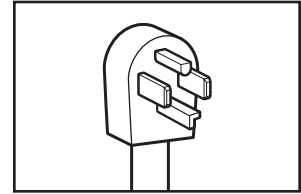
Contacto de 3 hilos (tipo NEMA 10-30R): Vaya a "Cómo hacer la conexión de 3 hilos: Cable de suministro de energía" en la página 76.

Cómo hacer la conexión de 4 hilos: Cable de suministro de energía

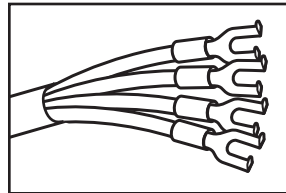
IMPORTANTE: Se necesita una conexión de 4 hilos para las casas rodantes y donde los códigos locales no permitan el uso de conexiones de 3 hilos.



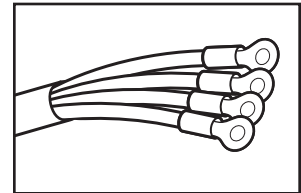
Contacto de 4 hilos (tipo NEMA 14-30R)



Enchufe de 4 terminales

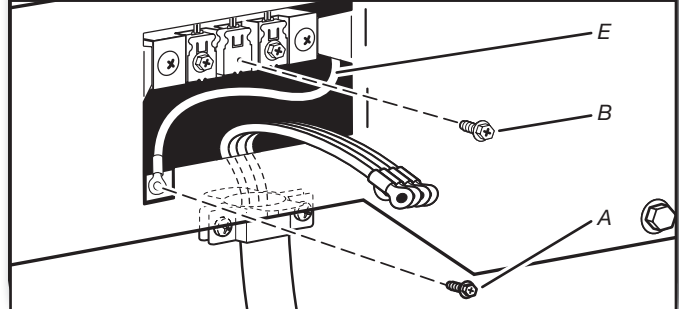


Conectores de horquilla con los extremos hacia arriba



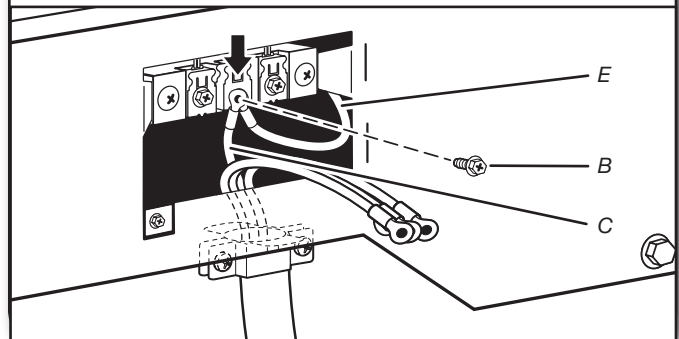
Conectores de anillo

1. Prepárese para conectar el hilo neutro de puesta a tierra y el hilo neutro



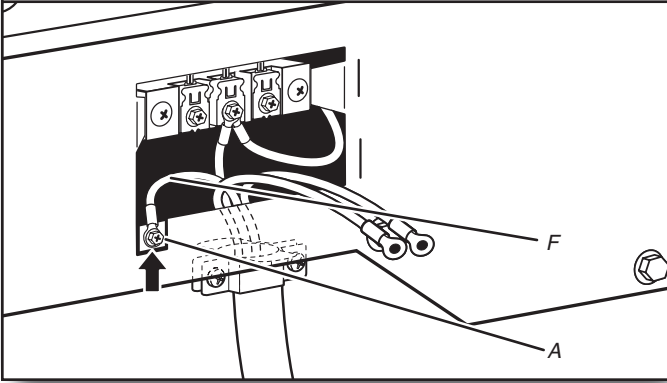
Quite el tornillo central del bloque de terminal (B). Saque el hilo neutro de puesta a tierra (E) del tornillo conductor a tierra externo (A).

2. Conecte el hilo neutro de puesta a tierra y el hilo neutro



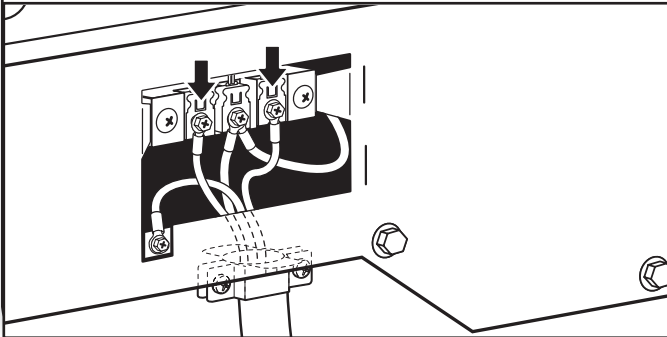
Conecte el hilo neutro de puesta a tierra (E) y el hilo neutro (hilo blanco o central) (C) del cable de suministro de energía debajo del tornillo central del bloque de terminal (B). Apriete el tornillo.

3. Conecte el hilo de puesta a tierra



Conecte el hilo de puesta a tierra (F) (verde o desnudo) del cable de suministro de energía al tornillo conductor a tierra externo (A). Apriete el tornillo.

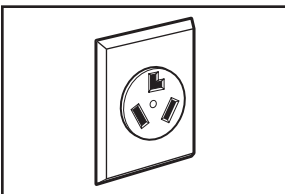
4. Conecte los hilos restantes



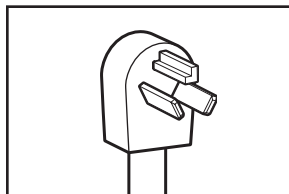
Conecte los hilos restantes a los tornillos externos del bloque de terminal. Apriete los tornillos. Por último vuelva a insertar la lengüeta de la tapa del bloque de terminal dentro de la ranura del panel posterior de la secadora. Asegure la tapa con un tornillo de sujeción. Ahora vaya a “Requisitos de ventilación.”

Cómo hacer la conexión de 3 hilos: Cable de suministro de energía

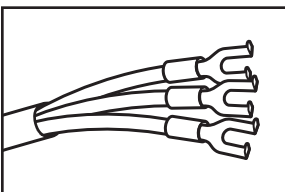
IMPORTANTE: Úselo donde los códigos locales permitan la conexión del conductor de tierra de la carcasa al hilo neutro.



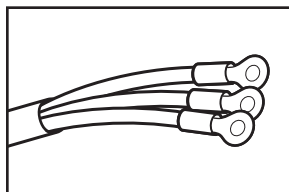
Contacto de 3 hilos
(tipo NEMA 10-30R)



Enchufe de 3 terminales

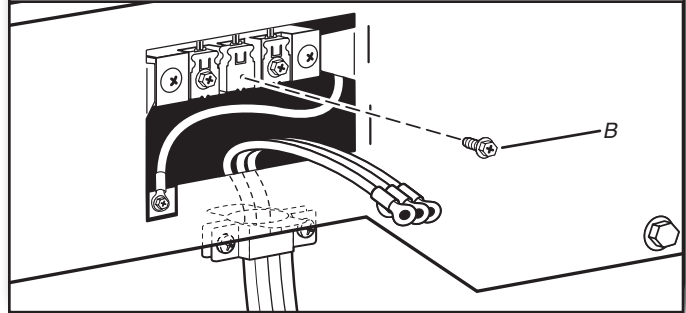


Conectores de horquilla con
los extremos hacia arriba



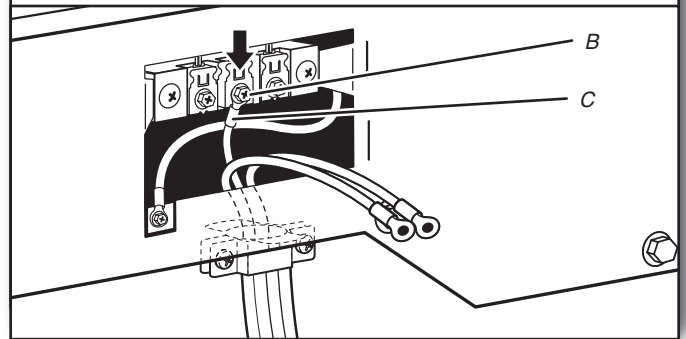
Conectores de anillo

1. Quite el tornillo central



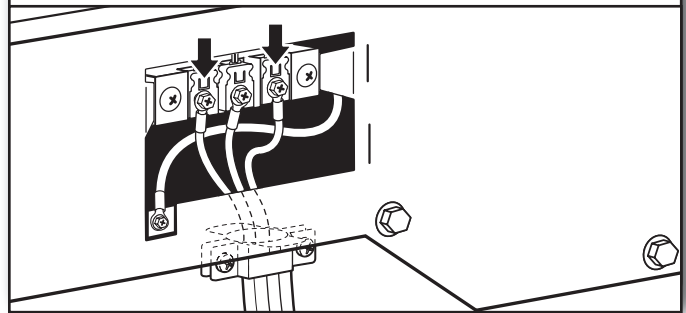
Quite el tornillo central del bloque de terminal (B).

2. Conecte el hilo neutro



Conecte el hilo neutro (hilo blanco o central) (C) del cable de suministro de energía al tornillo central del bloque de terminal (B). Apriete el tornillo.

3. Conecte los hilos restantes

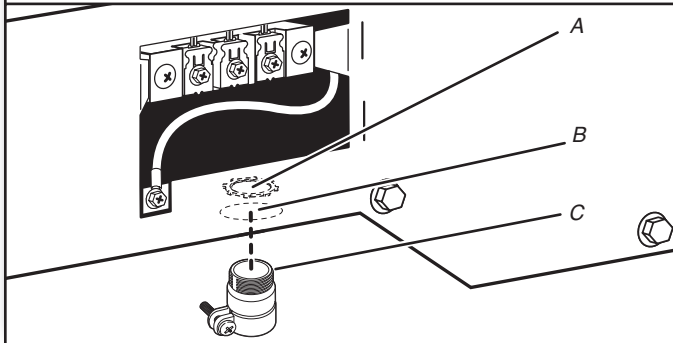


Conecte los hilos restantes a los tornillos externos del bloque de terminal. Apriete los tornillos. Por último vuelva a insertar la lengüeta de la tapa del bloque de terminal dentro de la ranura del panel posterior de la secadora. Asegure la tapa con un tornillo de sujeción. Ahora vaya a “Requisitos de ventilación.”

Cómo hacer la conexión de cable directo

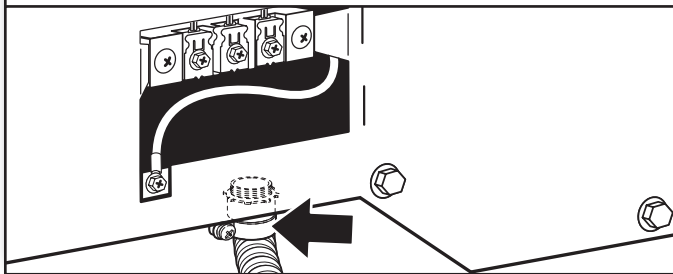
Protector de cables para cable directo

1. Sujete el protector de cables para cable directo



Desatornille el conector de conducto removible (A) y cualquier tornillo del protector de cables de 3/4" (19 mm) que está en la lista de UL. Haga pasar la sección trenzada del protector de cables (C) a través del orificio que está debajo de la abertura del bloque de terminal (B). Busque dentro de la abertura del bloque de terminal y atornille el conector de conducto removible (A) sobre las roscas del protector de cables.

2. Sujete el cable directo al protector de cables



Haga pasar el cable directo a través del protector de cables. El protector de cables deberá encajar de manera ajustada con la carcasa de la secadora y estar en posición horizontal. Apriete el tornillo del protector de cables contra el cable directo.

Si el cableado luce como éste:



Conexión por cable directo de 4 hilos:
Vaya a "Conexión por cable directo de 4 hilos" en esta página.

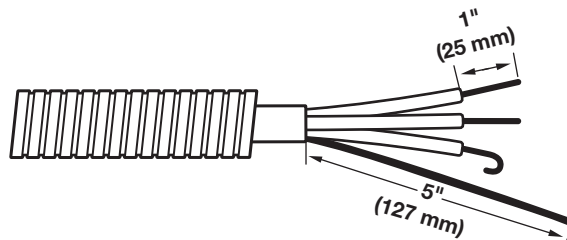


Conexión por cable directo de 3 hilos:
Vaya a "Conexión por cable directo de 3 hilos" en la página 78.

Conexión por cable directo de 4 hilos

IMPORTANTE: Se necesita una conexión de 4 hilos para las casas rodantes y donde los códigos locales no permitan el uso de conexiones de 3 hilos.

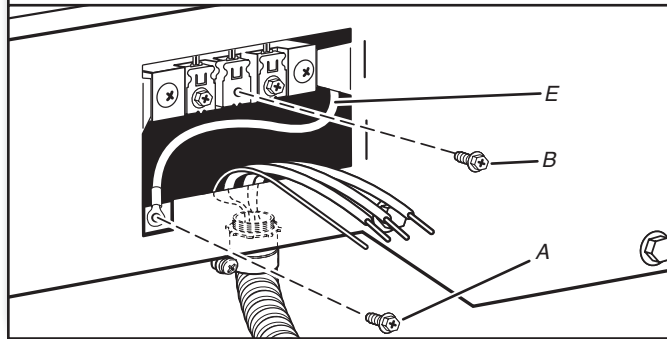
1. Prepare el cable de 4 hilos para la conexión directa



El cable del hilo directo deberá tener 5 pies (1,52 m) de largo adicional, para poder mover la lavadora/secadora si es necesario.

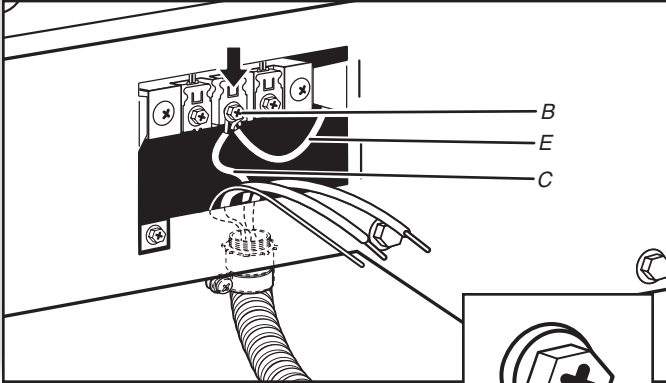
Pele 5" (127 mm) de la cubierta exterior del extremo del cable, dejando el cable a tierra desnudo a 5" (127 mm). Corte 1½" (38 mm) de los 3 hilos restantes. Pele el aislamiento 1" (25 mm). Dé forma de gancho a los extremos de los hilos.

2. Prepárese para conectar el hilo neutro de puesta a tierra y el hilo neutro



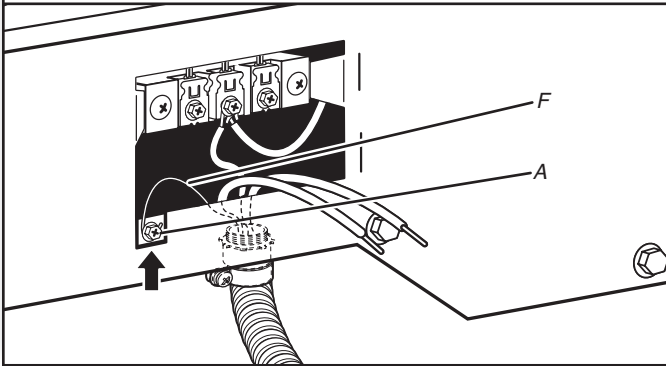
Quite el tornillo central del bloque de terminal (B). Saque el hilo neutro de puesta a tierra (E) del tornillo conductor a tierra externo (A).

3. Conecte el hilo neutro de puesta a tierra a tierra y el hilo neutro



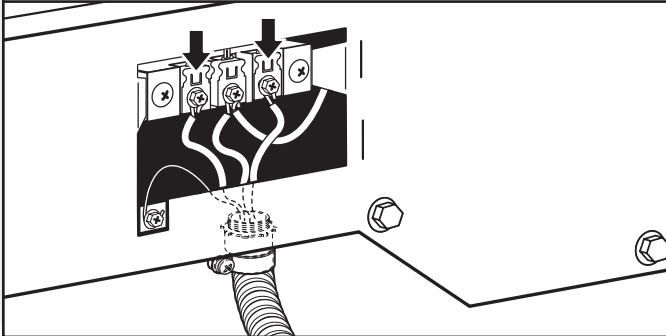
Conecte el hilo neutro de puesta a tierra (E) y coloque el extremo en forma de gancho (gancho mirando hacia la derecha) del hilo neutro (blanco o central) (C) del cable de conexión directa debajo del tornillo central del bloque de terminal (B). Apriete los extremos en forma de gancho y apriete el tornillo.

4. Conecte el hilo de puesta a tierra



Conecte el hilo de puesta a tierra (verde o desnudo) (F) del cable directo al tornillo conductor a tierra externo (A). Apriete el tornillo.

5. Conecte los hilos restantes

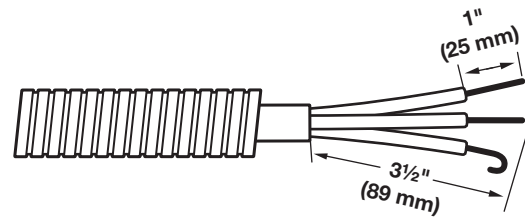


Coloque los extremos en forma de gancho de los hilos restantes del cable de conexión directa debajo de los tornillos exteriores del bloque de terminal (con los ganchos mirando hacia la derecha). Apriete los extremos en forma de gancho y apriete los tornillos. Por último vuelva a insertar la lengüeta de la tapa del bloque de terminal dentro de la ranura del panel posterior de la secadora. Asegure la tapa con un tornillo de sujeción. Ahora vaya a "Requisitos de ventilación."

Conexión por cable directo de 3 hilos

IMPORTANTE: Úselo donde los códigos locales permitan la conexión del conductor de tierra de la carcasa al hilo neutral.

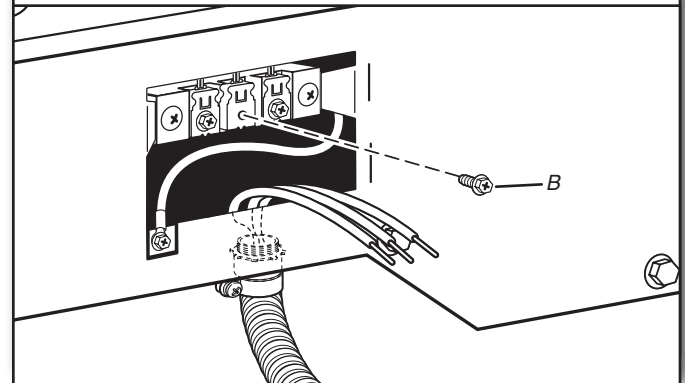
1. Prepare el cable de 3 hilos para la conexión directa



El cable del hilo directo deberá tener 5 pies (1,52 m) de largo adicional, para poder mover la lavadora/secadora si es necesario.

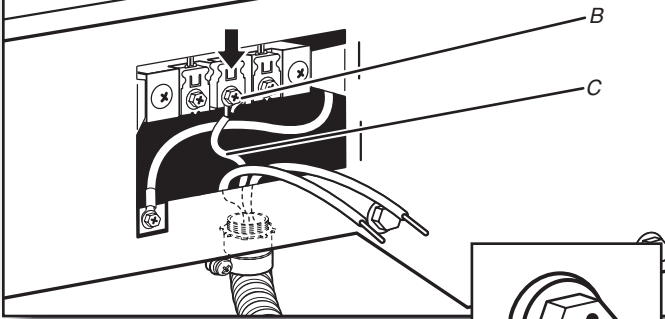
Pele 3 1/2" (89 mm) de la cubierta exterior del extremo del cable. Pele el aislamiento 1" (25 mm). Si va a usar el cable de 3 hilos con hilo de puesta a tierra, corte el hilo desnudo alineado con la cubierta exterior. Dé forma de gancho a los extremos de los hilos.

2. Quite el tornillo central



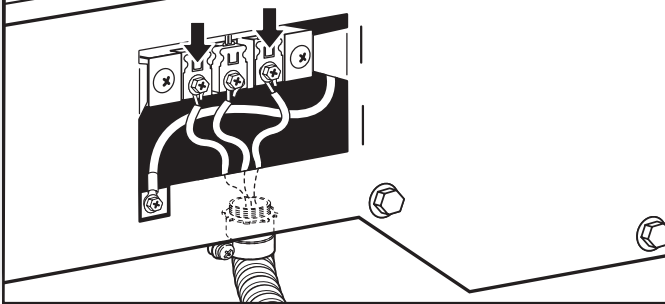
Quite el tornillo central del bloque de terminal (B).

3. Conecte el hilo neutro



Coloque el extremo en forma de gancho del hilo neutro (hilo blanco o central) (C) del cable directo debajo del tornillo central (B) del bloque de terminal. Apriete y junte el extremo en forma de gancho. Apriete el tornillo.

4. Conecte los hilos restantes

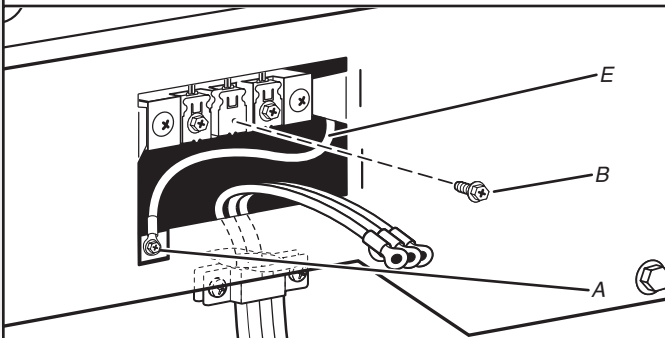


Coloque los extremos en forma de gancho de los hilos restantes del cable de conexión directa debajo de los tornillos exteriores del bloque de terminal (con los ganchos mirando hacia la derecha). Apriete los extremos en forma de gancho y apriete los tornillos. Por último vuelva a insertar la lengüeta de la tapa del bloque de terminal dentro de la ranura del panel posterior de la secadora. Asegure la tapa con un tornillo de sujeción. Ahora vaya a "Requisitos de ventilación."

Cómo hacer la conexión de 3 hilos opcional

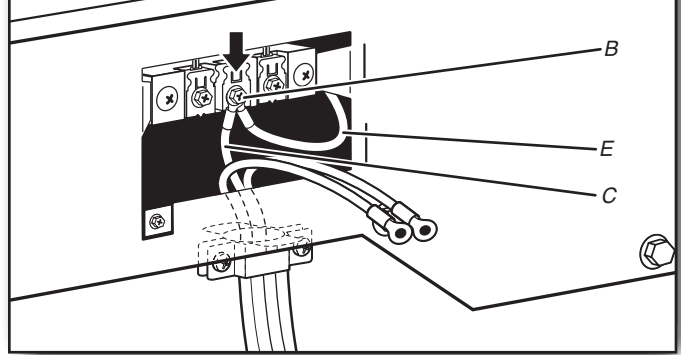
IMPORTANTE: Antes de hacer la conexión, usted deberá verificar con un electricista competente que este método de conexión a tierra sea aceptable.

1. Prepárese para conectar el hilo neutro de puesta a tierra y el hilo neutro



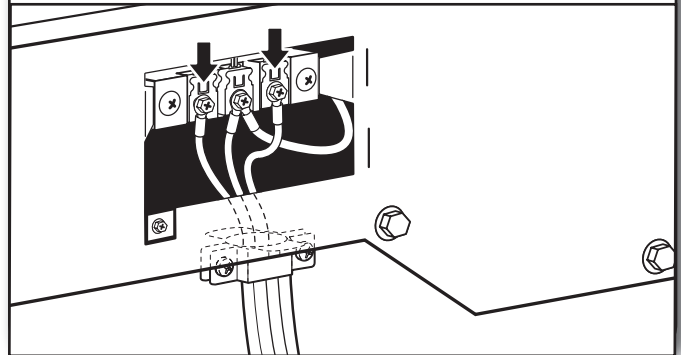
Quite el tornillo central del bloque de terminal (B). Saque el hilo neutro de puesta a tierra (E) del tornillo conductor a tierra externo (A).

2. Conecte el hilo neutro de puesta a tierra y el hilo neutro



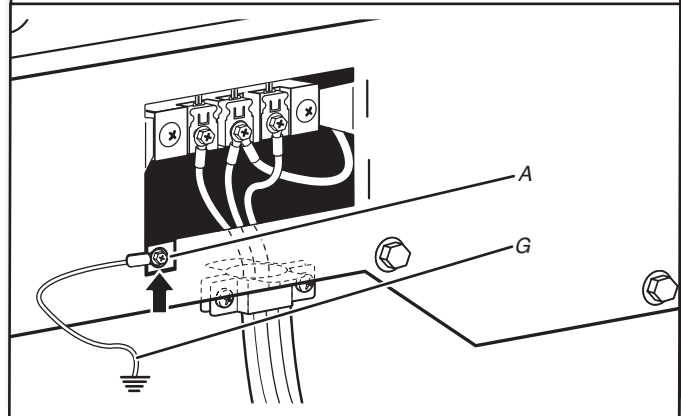
Conecte el hilo neutro de puesta a tierra (E) y el hilo neutro (hilo blanco o central) (C) del cable de suministro de energía o cable directo debajo del tornillo central del bloque de terminal (B). Apriete el tornillo.

3. Conecte los hilos restantes



Coloque los hilos restantes debajo de los tornillos exteriores del bloque de terminal (con los ganchos mirando hacia la derecha). Apriete los tornillos.

4. Conecte el hilo externo a tierra



Conecte un hilo a tierra de cobre separado (G) desde el tornillo conductor a tierra externo (A) a una conexión a tierra adecuada. Por último vuelva a insertar la lengüeta de la tapa del bloque de terminal dentro de la ranura del panel posterior de la secadora. Asegure la tapa con un tornillo de sujeción. Ahora vaya a "Requisitos de ventilación."

Conexión eléctrica, modelos eléctricos de 24" (61 cm) de 240V (EE.UU. solamente)

Cable de suministro de energía

⚠ ADVERTENCIA



Peligro de Incendio

Use un cable de suministro eléctrico nuevo de 30 amperes que esté en la lista de UL.

Use un protector de cables que esté en la lista de UL.

Desconecte el suministro eléctrico antes de hacer las conexiones eléctricas.

Conecte el alambre neutro (el blanco o el del centro) al terminal central.

El alambre de tierra (el verde o el no aislado) se debe conectar con el conector verde de tierra.

Conecte los 2 alambres de suministro restantes con las 2 terminales restantes (las doradas).

Apriete firmemente todas las conexiones eléctricas.

No seguir estas instrucciones puede ocasionar la muerte, incendio, o choque eléctrico.

Opciones de conexión eléctrica

1. Seleccione el tipo de conexión eléctrica



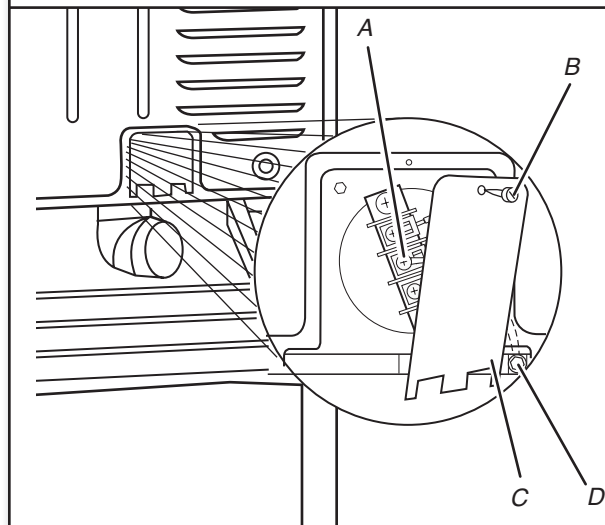
Contacto de 4 hilos (tipo NEMA 14-30R):
Vaya a "Cómo hacer la conexión de 4 hilos: Cable de suministro de energía."
Después vaya a "Requisitos de ventilación."



Contacto de 3 hilos (tipo NEMA 10-30R):
Vaya a "Cómo hacer la conexión de 3 hilos: Cable de suministro de energía."
Después vaya a "Requisitos de ventilación."

NOTA: Si los códigos locales no permiten la conexión de un conductor para conexión a tierra de la carcasa al alambre neutro, prosiga a "Cómo hacer la conexión de 3 hilos opcional."

2. Quite la tapa del bloque de terminal



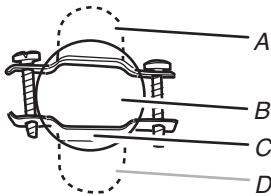
Desconecte el suministro de energía antes de comenzar. Quite el tornillo de sujeción (B) y la tapa del bloque de terminal (C).

- A. Tornillo central del bloque de terminal
- B. Tornillo de sujeción
- C. Tapa del bloque de terminal
- D. Tornillo conductor a tierra externo

Conexión de cable de suministro de energía

Protector de cables del cable de suministro de energía

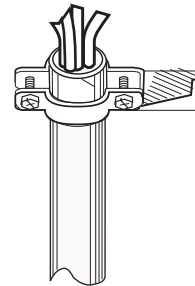
1. Sujete el protector de cables del cable de suministro de energía



Quite los tornillos de un protector de cables de 3/4" (19 mm) que esté en la lista de UL. Coloque las lengüetas de las dos secciones de la abrazadera (C) en el orificio que está debajo de la abertura del bloque de terminal (B) de manera que una lengüeta esté apuntando hacia arriba (A) y la otra esté apuntando hacia abajo (D), y sujételas en su lugar. Apriete los tornillos del protector de cables sólo lo suficiente para mantener las dos secciones de la abrazadera (C) juntas.

- A. Lengüeta del protector de cables apuntando hacia arriba
- B. Orificio debajo de la abertura del bloque de terminal
- C. Sección de la abrazadera
- D. Lengüeta del protector de cables apuntando hacia abajo

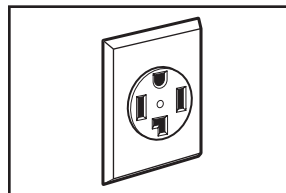
2. Sujete el cable de suministro de energía al protector de cables



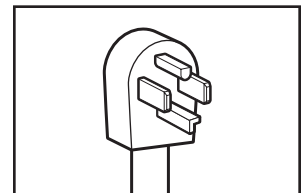
Haga pasar el cable de suministro de energía a través del protector de cables. Asegúrese de que el aislamiento de cables del cable de suministro de energía esté dentro del protector de cables. El protector de cables deberá encajar de manera ajustada con la carcasa de la secadora y estar en posición horizontal. No ajuste más los tornillos del protector de cables en este momento.

Cómo hacer la conexión de 4 hilos: Cable de suministro de energía

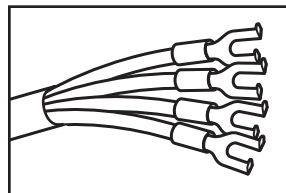
IMPORTANTE: Se necesita una conexión de 4 hilos para las casas rodantes y donde los códigos locales no permitan el uso de conexiones de 3 hilos.



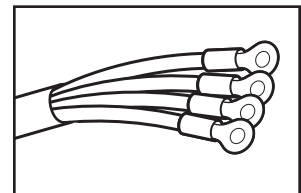
Contacto de 4 hilos (tipo NEMA 14-30R)



Enchufe de 4 terminales

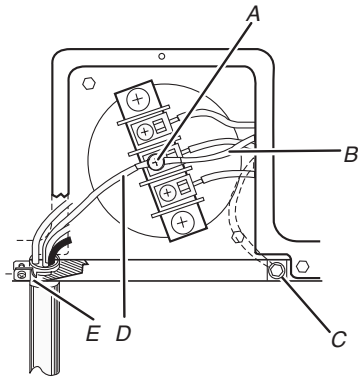


Conectores de horquilla con los extremos hacia arriba



Conectores de anillo

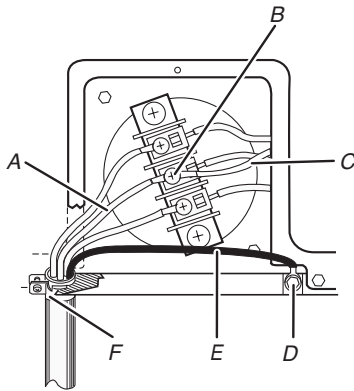
1. Conecte el hilo neutro de puesta a tierra y el hilo neutro



Saque el tornillo central del bloque de terminal. Saque el hilo neutro de puesta a tierra del tornillo conductor de tierra externo. Conecte el hilo neutro de puesta a tierra y el hilo neutro (hilo blanco o central) del cable de suministro de energía debajo del tornillo central del bloque de terminal. Apriete el tornillo.

- A. Tornillo central del bloque de terminal
- B. Hilo neutro de puesta a tierra
- C. Tornillo conductor de tierra externo – La línea punteada ilustra la posición del hilo NEUTRO de puesta a tierra antes de moverlo al tornillo central del bloque de terminal.
- D. Hilo neutro (hilo blanco o central)
- E. Protector de cables de 3/4" (19 mm), que esté en la lista de UL

2. Conecte el hilo de puesta a tierra



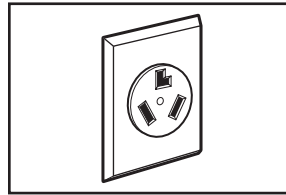
Conecte el hilo de puesta a tierra (verde o desnudo) del cable de suministro de energía al tornillo conductor de tierra externo. Apriete el tornillo.

- A. Hilo neutro (hilo blanco o central)
- B. Tornillo central del bloque de terminal
- C. Hilo neutro de puesta a tierra
- D. Tornillo conductor a tierra externo
- E. Hilo de puesta a tierra (verde o desnudo) del cable de suministro de energía
- F. Protector de cables de 3/4" (19 mm), que esté en la lista de UL

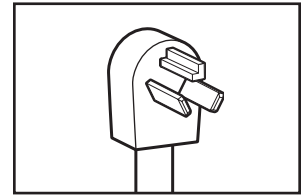
Conecte los otros hilos a los tornillos exteriores del bloque de terminal. Apriete los tornillos. Apriete los tornillos del protector de cables. Introduzca la lengüeta de la tapa del bloque de terminal dentro de la ranura del panel posterior de la secadora. Asegure la tapa con el tornillo de sujeción. Ahora vaya a "Requisitos de ventilación."

Cómo hacer la conexión de 3 hilos: Cable de suministro de energía

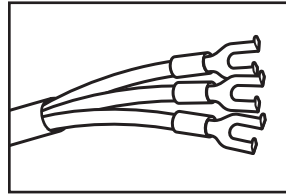
IMPORTANTE: Úselo donde los códigos locales permitan la conexión del conductor de tierra de la carcasa al hilo neutral.



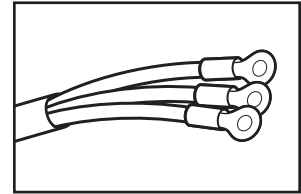
Contacto de 3 hilos (tipo NEMA 10-30R)



Enchufe de 3 terminales

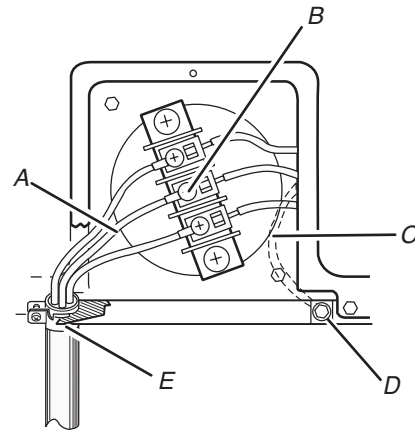


Conectores de horquilla con los extremos hacia arriba



Conectores de anillo

1. Conecte el hilo neutro



Afloje o saque el tornillo central del bloque de terminal. Conecte el hilo neutro (hilo blanco o central) del cable de suministro de energía al tornillo central del bloque terminal. Apriete el tornillo.

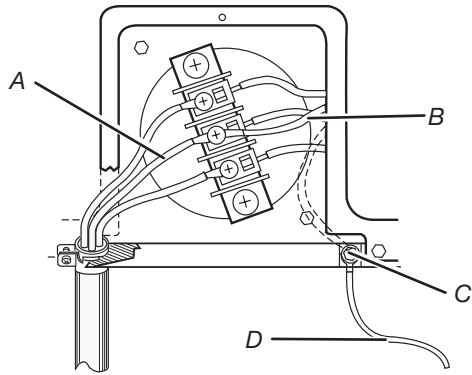
- A. Hilo neutro (hilo blanco o central)
- B. Tornillo central del bloque de terminal
- C. Hilo neutro de puesta a tierra
- D. Tornillo conductor a tierra externo
- E. Protector de cables de 3/4" (19 mm), que esté en la lista de UL

Conecte los otros hilos a los tornillos exteriores del bloque de terminal. Apriete los tornillos. Apriete los tornillos del protector de cables. Inserte la lengüeta de la tapa del bloque de terminal dentro de la ranura del panel posterior de la secadora. Asegure la tapa con el tornillo de sujeción. Ahora vaya a "Requisitos de ventilación."

Cómo hacer la conexión de 3 hilos opcional

Use para cable de suministro de energía donde los códigos locales no permitan la conexión del conductor de tierra del gabinete con el hilo neutro.

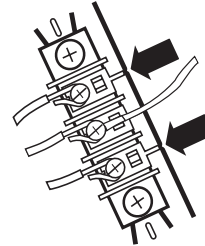
1. Conecte el hilo neutro de puesta a tierra y el hilo neutro



Saque el tornillo central del bloque de terminal. Saque el hilo neutro de puesta a tierra del tornillo conductor a tierra externo. Conecte el hilo neutro de puesta a tierra y el hilo neutro (hilo blanco o central) del cable de suministro de energía debajo del tornillo central del bloque de terminal. Apriete el tornillo.

- A. Hilo neutro (hilo blanco o central)
- B. Hilo neutro de puesta a tierra
- C. Tornillo conductor a tierra externo – La línea punteada ilustra la posición del hilo NEUTRO de puesta a tierra antes de moverlo al tornillo central del bloque de terminal.
- D. Camino de puesta a tierra determinado por un electricista capacitado

2. Conecte los hilos restantes y conecte el hilo de puesta a tierra separado



Conecte los otros hilos a los tornillos exteriores del bloque de terminal. Apriete los tornillos. Apriete los tornillos del protector de cables. Conecte un hilo de puesta a tierra de cobre separado del tornillo conductor a tierra externo a tierra adecuada. Introduzca la lengüeta de la tapa del bloque de terminal en la ranura del panel posterior de la secadora. Asegure la tapa con el tornillo de sujeción. Ahora vaya a "Requisitos de ventilación."

Ventilación

Requisitos de ventilación

⚠️ ADVERTENCIA



Peligro de Incendio

Use un ducto de escape de metal pesado.

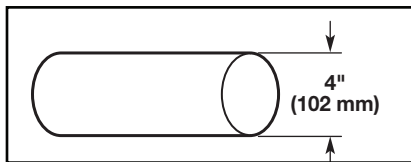
No use un ducto de escape de plástico.

No use un ducto de escape de aluminio.

No seguir estas instrucciones puede ocasionar la muerte o incendio.

ADVERTENCIA: Para reducir el riesgo de incendio, esta secadora DEBE VENTILARSE HACIA EL EXTERIOR.

IMPORTANTE: Observe todos los códigos y ordenanzas aplicables. El ducto de escape de la secadora no debe conectarse en ningún ducto de gas, chimenea, pared, techo, desván, espacio angosto o el espacio oculto de un edificio. Deberá usarse solamente un ducto de metal rígido o flexible para la ventilación.



Ducto de escape de metal pesado de 4" (102 mm)

- Sólo puede usarse un ducto de escape de metal pesado de 4" (102 mm) y abrazaderas.
- No utilice un ducto de escape de plástico ni de aluminio.

Ducto de escape de metal rígido:

- Se recomienda para un mejor desempeño en el secado y para evitar que se aplaste o se tuerza.

Ducto de escape de metal flexible: (Es aceptable sólo si es accesible para la limpieza)

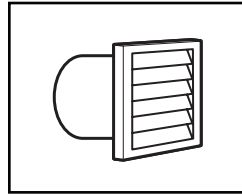
- Deberá extenderse por completo y tener soporte en la ubicación final de la secadora.
- Quite el exceso del mismo para evitar que se doble y se tuerza, lo cual podría dar lugar a una reducción del flujo de aire y a un rendimiento insuficiente.
- No instale un ducto de escape de metal flexible en paredes, techos o pisos encerrados.
- La longitud total no deberá exceder los 7¾ pies (2,4 m).

NOTA: Si se usa un sistema de ventilación existente, limpie la pelusa que está en toda la longitud del sistema y asegúrese de que la capota de ventilación no esté obstruida con pelusa. Reemplace los ductos de escape de plástico o de hoja de metal por ductos de metal rígido o de metal flexible. Revise el "Cuadro del sistema de ventilación" y, si es necesario, modifique el sistema de ventilación existente para lograr el mejor desempeño de secado.

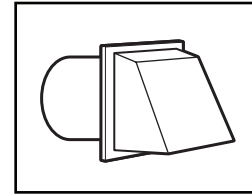
Capotas de ventilación:

- La capota de ventilación debe estar por lo menos a 12" (305 mm) de distancia del piso o de cualquier objeto que pudiese estar en el trayecto del ducto de escape (como flores, rocas, arbustos o nieve).

Estilos recomendados:

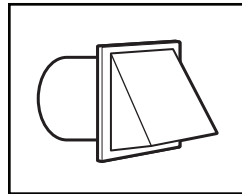


Capota tipo persiana



Capota tipo caja

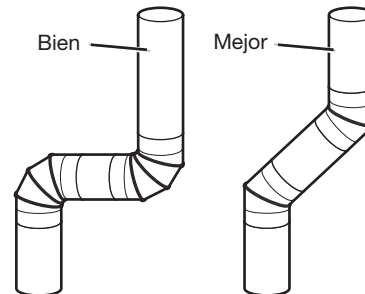
Estilo aceptable:



Capota angular

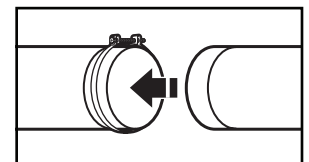
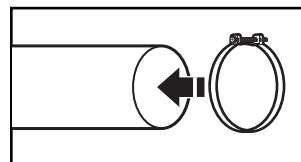
Codos:

- Los codos de 45° proveen un mejor flujo de aire que los codos de 90°.



Abrazaderas:

- Utilice abrazaderas para sellar todas las juntas.
- No debe conectarse ni asegurarse el ducto de escape con tornillos ni con ningún otro dispositivo de sujeción que se extienda hacia el interior de dicho ducto y atrape pelusa. No utilice cinta para ductos.



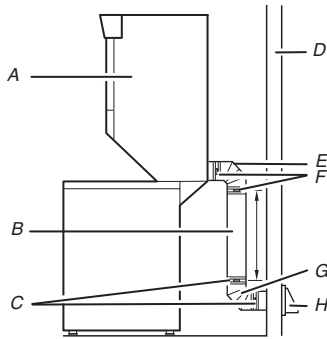
La ventilación inadecuada puede ocasionar la acumulación de humedad y pelusa en la casa, lo cual puede dar como resultado:

- Daños de humedad en la carpintería, muebles, pintura, empapelado, alfombras, etc.
- Problemas en la limpieza de la casa y de salud.

Planificación del sistema de ventilación

Instalaciones recomendadas de escape

Las instalaciones típicas tienen la ventilación en la parte posterior de la lavadora/secadora. Otras instalaciones son posibles.



- | | |
|--|--------------------------|
| A. Secadora | E. Codo |
| B. Ducto de metal rígido o de metal flexible | F. Abrazaderas |
| C. Abrazaderas | G. Codo |
| D. Pared | H. Capota de ventilación |

Instalaciones opcionales de escape:

Modelos de 24" (61 cm) pueden convertirse para ventilarse al exterior por el lado derecho o izquierdo. Para convertir la lavadora/secadora, use el juego de escape lateral, pieza número 279823. Si la lavadora/secadora ha sido ventilada anteriormente por el lado derecho o izquierdo, puede ser convertida para ventilarse por la parte posterior usando conexiones de desviación estándares. Para cubrir el orificio que quede en el costado, puede agregar este tapón:

692790 (blanco)

Siga las instrucciones que se encuentran en el juego para instalarlo. El juego está disponible con el distribuidor en donde compró la lavadora/secadora.

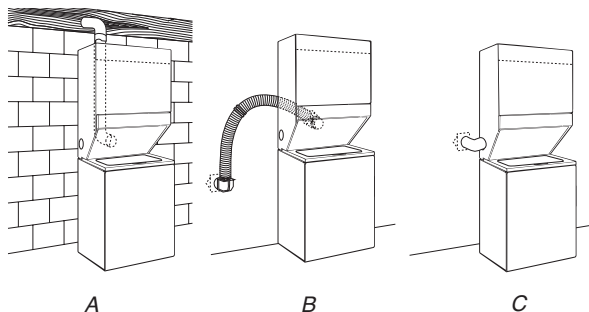
⚠ ADVERTENCIA

Peligro de Incendio

Cubra los orificios de escape no usados con un juego de cubierta para orificios de escape del fabricante.

Comuníquese con su distribuidor local.

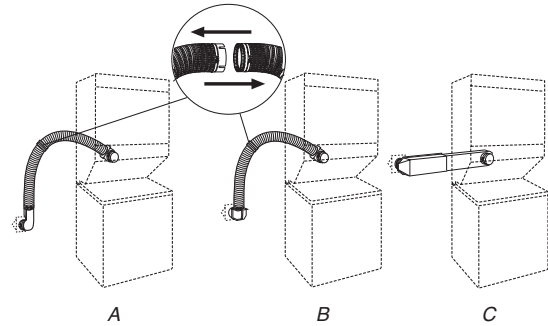
No seguir estas instrucciones puede ocasionar la muerte, incendio, choque eléctrico, o lesiones graves.



- A. Instalación estándar con ventilación por la parte posterior y conexión indirecta
- B. Ventilación posterior para conexión indirecta en espacios reducidos
- C. Instalación de ventilación lateral a la izquierda o a la derecha (modelos de 24" [61 cm] solamente)

Instalaciones alternas para espacios angostos

Los sistemas de ventilación vienen en una amplia gama. Seleccione el tipo más apropiado para su instalación. A continuación se ilustran tres tipos de instalación para espacios limitados. Consulte las instrucciones del fabricante.



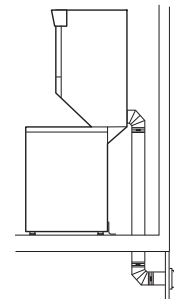
- A. Sistema con curva y codos estándar
- B. Sistema con curva y un codo estándar y un codo de desviación
- C. Sistema de ventilación con un periscopio (espacio de 2" [51 mm])

Juegos de ventilación

Para obtener más información, llame al **1-866-698-2538**, o visítenos en www.whirlpool.com.

Previsiones especiales para las instalaciones en casas rodantes

El ducto de escape deberá sujetarse firmemente en un lugar no inflamable de la estructura de la casa rodante y no debe terminar debajo de la casa rodante. El ducto de escape debe terminar en el exterior.



Determinación de la vía del ducto de escape:

- Seleccione la vía que proporcione el trayecto más recto y directo al exterior.
- Planifique la instalación a fin de usar el menor número posible de codos y vueltas.
- Cuando use los codos o haga vueltas, deje todo el espacio que sea posible.
- Doble el ducto gradualmente para evitar torceduras.
- Use la menor cantidad posible de vueltas de 90°.

Instalación del sistema de ventilación

Determinación de la longitud del ducto de escape y de los codos necesarios para obtener un óptimo rendimiento de secado:

- Use el Cuadro del sistema de ventilación a continuación para determinar el tipo de material para ducto y la combinación de capota aceptable a usar.

NOTA: No use tendidos de ducto de escape más largos que los especificados en el Cuadro del sistema de ventilación.

Los sistemas de ventilación más largos que los especificados:

- Acortarán la vida de la secadora.
- Reducirán el rendimiento, dando lugar a tiempos de secado más largos y un aumento en el consumo de energía.

El Cuadro del sistema de ventilación indica los requisitos de ventilación que le ayudarán a alcanzar el mejor rendimiento de secado.

Cuadro del sistema de ventilación, modelos de 27" (69 cm)

Nº de vueltas 90° o codos	Tipo de ventilación	Capota angular
0	Metal rígido	35 pies (10,7 m)
1	Metal rígido	27 pies (8,2 m)
2	Metal rígido	19 pies (5,8 m)

Cuadro del sistema de ventilación, modelos de 24" (61 cm)

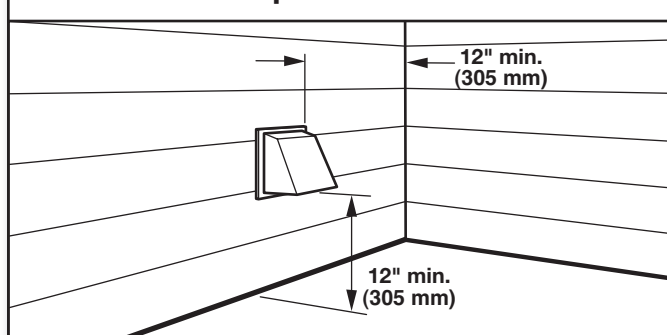
Nº de vueltas 90° o codos	Tipo de ventilación	Capota angular
0	Metal rígido	36 pies (11,0 m)
1	Metal rígido	26 pies (7,9 m)
2	Metal rígido	16 pies (4,9 m)

NOTA: Las instalaciones de ventilación laterales (modelos de 24" [61 cm] solamente) tienen una vuelta de 90° dentro de la secadora. Para determinar la longitud máxima de ventilación, agregue una vuelta de 90° al cuadro.

Cuadro del sistema de ventilación, modelo de 27" (69 cm) con sistema de ventilación de largo WETLV27H, WGTLV27H

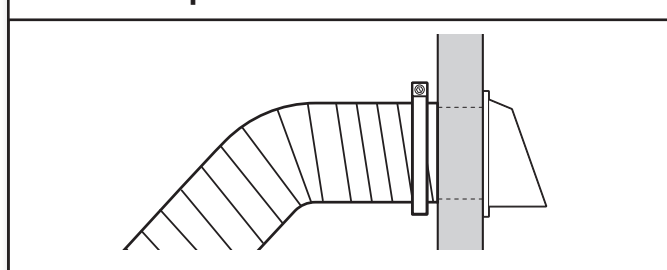
Nº de vueltas 90° o codos	Tipo de ventilación	Capota angular
0	Metal rígido	125 pies (38,1 m)
1	Metal rígido	115 pies (35,1 m)
2	Metal rígido	105 pies (32,0 m)
3	Metal rígido	95 pies (29,0 m)
4	Metal rígido	85 pies (25,9 m)
5	Metal rígido	75 pies (22,9 m)

1. Instale la capota de ventilación



Instale la capota de ventilación. Emplee una masilla de calafateo para sellar la abertura de la pared externa alrededor de la capota de ventilación.

2. Conecte el ducto de escape a la capota de ventilación



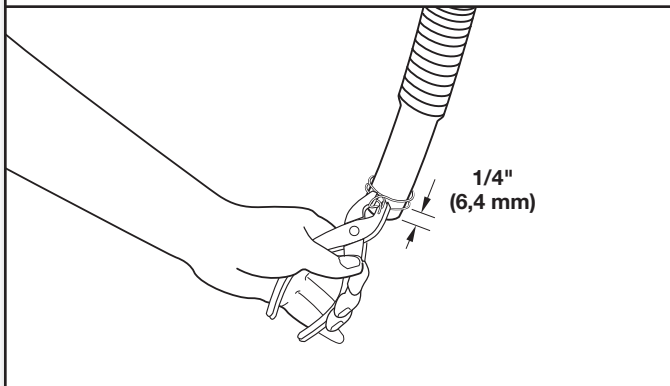
El ducto de escape debe encajar dentro de la capota de ventilación. Asegure el ducto de escape a la capota de ventilación con una abrazadera de 4" (102 mm). Extienda el ducto de escape a la ubicación de la secadora. Use la trayectoria más recta posible. Evite giros de 90°. Use abrazaderas para sellar todas las juntas. No use cinta adhesiva para conductos, tornillos ni otros dispositivos de fijación que se extiendan dentro del ducto de escape para fijarlo, los cuales podrían atrapar pelusa.

Conecte la manguera de desagüe

Para proteger sus pisos de los daños ocasionados por las fugas de agua, conecte correctamente la manguera de desagüe. Para evitar que la manguera de desagüe se salga o tenga fugas, deberá ser instalada de acuerdo a las instrucciones siguientes:

IMPORTANTE: Para asegurar una instalación adecuada, se debe seguir este procedimiento con exactitud.

1. Sujete la abrazadera a la manguera de desagüe

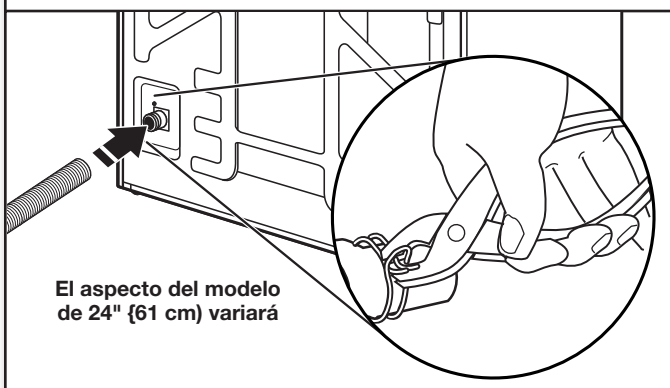


Revise la manguera de desagüe para aver si tiene el largo adecuado. Moje el interior del extremo recto de la manguera de desagüe con agua del grifo.

IMPORTANTE: No use ningún otro lubricante aparte de agua.

Apriete con la pinza las aletas de la abrazadera plateada de doble alambre para abrirla. Coloque la abrazadera sobre el extremo recto de la manguera de desagüe a 1/4" (6,4 mm) del mismo.

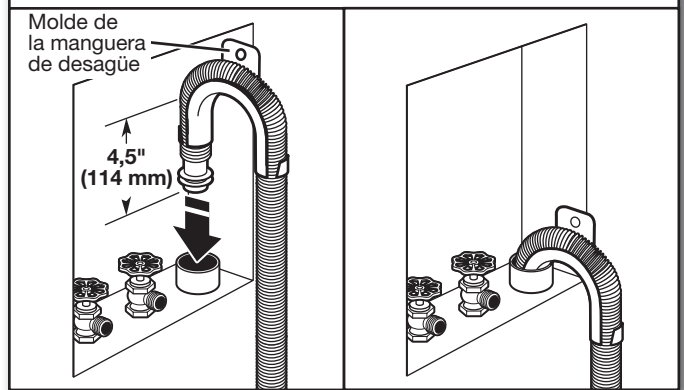
2. Sujete la manguera de desagüe al conector de desagüe (se muestra el modelo de 27" [69 cm])



El aspecto del modelo de 24" (61 cm) variará

Abra la abrazadera. Tuerza la manguera hacia atrás y hacia adelante mientras empuja sobre el conector de desagüe en la parte inferior izquierda (modelos de 27" [69 cm]) o en la parte inferior central (modelos de 24" [61 cm]) de la parte posterior de la lavadora/secadora. Continúe hasta que la manguera entre en contacto con los toques estriados sobre la carcasa. En los modelos de 27" (69 cm), coloque la abrazadera sobre el área que tiene la marca "CLAMP" (abrazadera). En los modelos de 24" (61 cm), coloque la abrazadera sobre el área lisa de la manguera entre las dos costillas. Suelte la abrazadera.

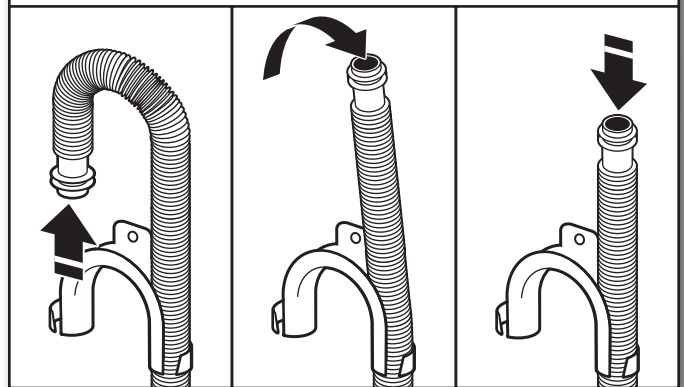
3. Coloque la manguera de desagüe en el tubo vertical



Coloque la manguera dentro del tubo vertical (se muestra en la ilustración) o sobre el lado de la tina de lavadero.

IMPORTANTE: Deberá haber 4,5" (114 mm) de manguera de desagüe dentro del tubo vertical; no fuerce el exceso de la manguera dentro del tubo vertical, ni lo coloque en el fondo de la tina de lavadero. El molde de la manguera de desagüe debe usarse.

4. Quite el molde de la manguera de desagüe (instalaciones con desagüe por el piso únicamente)



Para las instalaciones con desagüe por el piso, necesitará quitar el molde de la manguera de desagüe del extremo de la misma. Puede ser que necesite piezas adicionales con instrucciones por separado. Vea "Herramientas y piezas."

Conecte las mangueras de entrada

La lavadora debe estar conectada a los grifos de agua con mangueras de entrada nuevas y arandelas planas (no provistas). No use mangueras viejas.

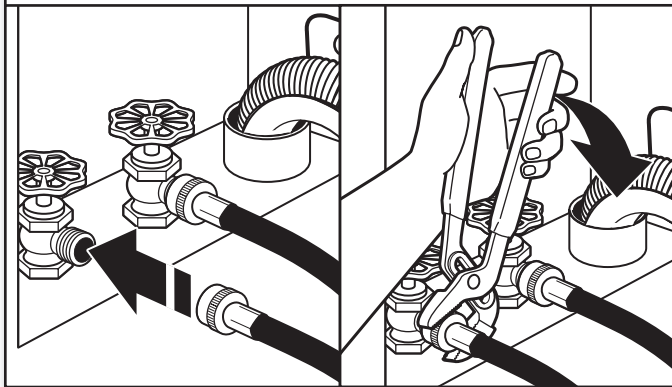
NOTA: Deberán sujetarse ambas mangueras y tener flujo de agua a las válvulas de entrada. Si sólo va a conectar a un grifo de agua fría, deberá utilizar un adaptador en Y (no incluido).

1. Inserte una arandela en cada manguera



Inserte las nuevas arandelas para manguera (no suministradas) en cada extremo de las mangueras de entrada. Asiente firmemente las arandelas en los acoplamientos.

2. Conecte las mangueras de entrada a los grifos del agua



Sujete una manguera al grifo de agua caliente. Atornille el acoplamiento con la mano hasta que se asiente en la arandela. Usando las pinzas, apriete los acoplamientos dos tercios de vuelta adicional. Repita este paso con la segunda manguera para el grifo de agua fría.

IMPORTANTE: No apriete la válvula en exceso ni use cinta o selladores en la misma. Se pueden dañar las válvulas.

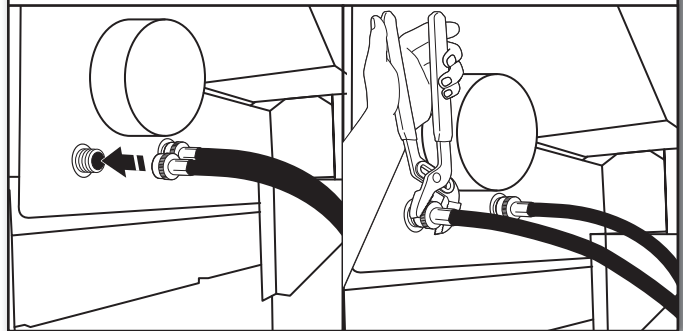
CONSEJO ÚTIL: Para ayudar a conectar las mangueras a la lavadora correctamente, tome nota de cuál de las mangueras está conectada al agua caliente. En la mayoría de las configuraciones estándar, las mangueras se cruzarán cuando estén sujetas correctamente.

3. Despeje las líneas de agua



Deje correr agua por algunos segundos por las mangueras, a una tina de lavadero, tubo de desagüe o cubeta para evitar que se obstruya. El agua debe correr hasta que salga limpia.

4. Conecte las mangueras de entrada a la lavadora

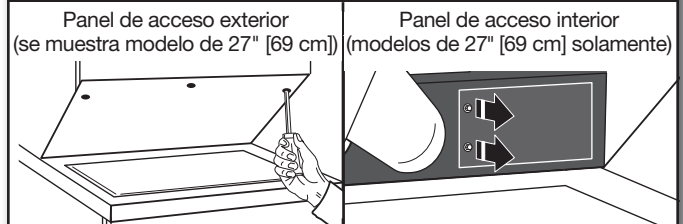


Sujete la manguera de agua caliente a la válvula de entrada derecha (roja). Atornille el acoplamiento a mano hasta que quede apretado. Use pinzas para apretar los acoplamientos dos tercios de vuelta adicional. Repítalo con la válvula de entrada del agua fría (válvula de entrada izquierda [azul]).

IMPORTANTE: Reemplace las mangueras de entrada después de 5 años de uso para reducir el riesgo de que fallen. Para consulta en el futuro, anote en las mangueras la fecha de instalación o la fecha de reposición de las mismas.

- Inspeccione periódicamente y reemplace las mangueras si aparecen bultos, torceduras, cortaduras, desgaste o fugas.

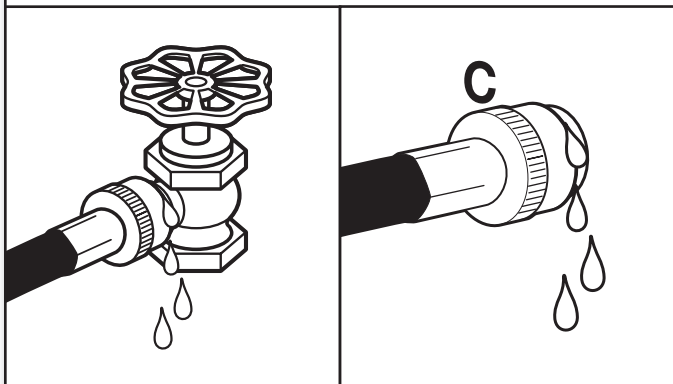
5. Mueva la lavadora/secadora a su posición final



Si usted está trabajando en un clóset o en un área empotrada: mueva la lavadora/secadora hacia su ubicación final y saque la pieza de cartón de debajo de la lavadora/secadora. Quite el panel de acceso exterior desatornillando dos tornillos (modelos de 24" [61 cm]) o tres tornillos (modelos de 27" [69 cm]) Phillips y un tope (modelos de 27" [69 cm] solamente), ubicados en la parte superior del panel de acceso. Quite el panel de acceso interior (modelos de 27" [69 cm] solamente) sacando la cubierta y dos tornillos. Deje a un lado los paneles, los tornillos, la cubierta del panel de acceso interior y el tope. Complete la conexión de mangueras de agua y el ducto. Vuelva a colocar los paneles de acceso una vez que haya terminado la instalación de la lavadora/secadora.

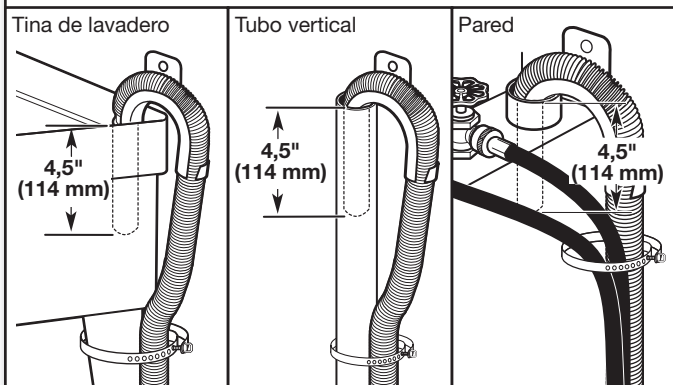
Conexión del suministro de gas (modelos a gas de 27" [69 cm] solamente)

6. Revise si hay fugas



Abra los grifos del agua para revisar si hay fugas de agua. Una pequeña cantidad de agua podría entrar en la lavadora. Ésta se desaguará más tarde.

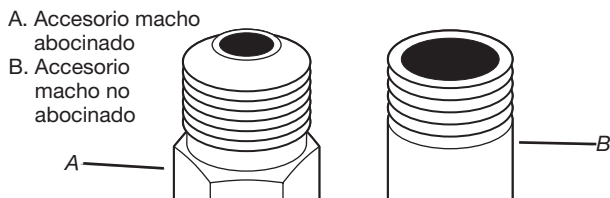
7. Asegure la manguera de desagüe



Asegure la manguera de desagüe a la pata del lavadero, al tubo vertical o a las mangueras de entrada para el tubo vertical de pared, utilizando el fleje de plástico incluido en el paquete de piezas.

Es responsabilidad del instalador instalar y asegurar la manguera de desagüe en el desagüe/la plomería que se provee de una manera que impida que la manguera de desagüe se salga o presente fugas de la plomería/ el desagüe.

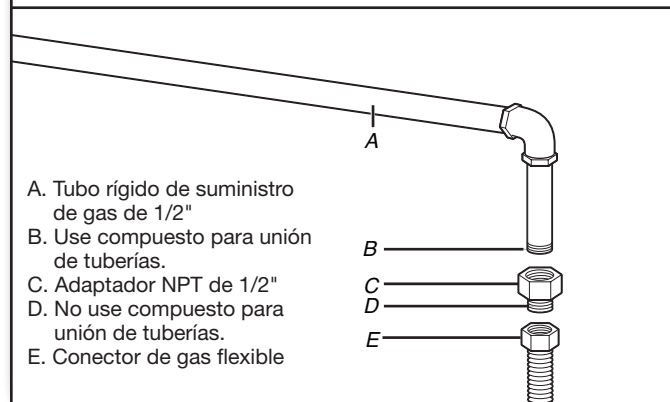
1. Preparación para conectar la línea de suministro de gas a la secadora



Quite la tapa roja del conector de gas flexible. Quite el adaptador NPT de 1/2" del conector de gas flexible (será necesario usar dos llaves de tuerca ajustables). Use compuesto para unión de tubos en las roscas de todos los accesorios macho no abocinados. Si se usa tubería flexible de metal, asegúrese de que no hayan partes retorcidas.

NOTA: Para las conexiones de gas propano, debe usar un compuesto para unión de tuberías resistente a la acción del gas propano. No utilice cinta TEFLON.®

2. Instale el adaptador

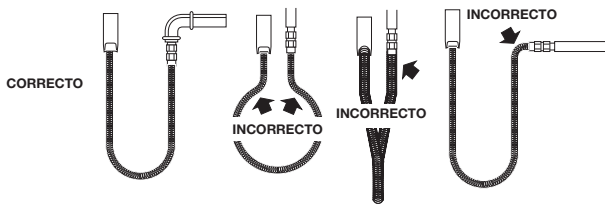


- A. Tubo rígido de suministro de gas de 1/2"
- B. Use compuesto para unión de tuberías.
- C. Adaptador NPT de 1/2"
- D. No use compuesto para unión de tuberías.
- E. Conector de gas flexible

Instale el adaptador en el tubo rígido de suministro de gas de 1/2" usando el compuesto para unión de tuberías.

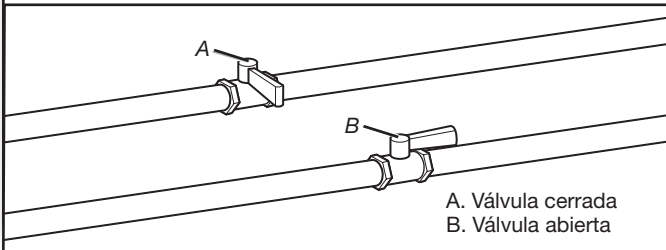
NOTA: Para las conexiones de gas propano debe usar un compuesto para unión de tuberías resistente a la acción del gas propano. No utilice cinta TEFLON.®

3. Sujete el conector



Sujete el conector de gas flexible al adaptador NPT de 1/2." No use compuesto para unión de tuberías para esta conexión. Deberá haber una vuelta natural en el conector de gas flexible. El conector de gas flexible no debe ser retorcido, doblado ni unido con recodos agudos.

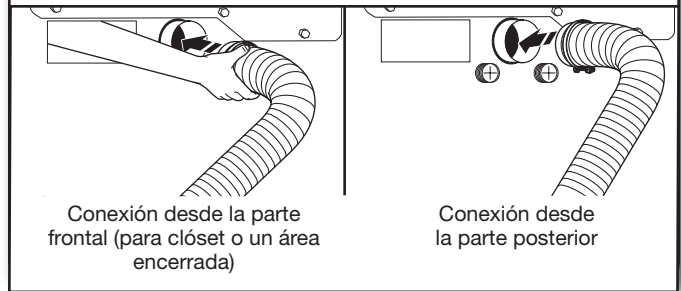
4. Abra la válvula de cierre



Abra la válvula de cierre en la línea de suministro; la válvula está abierta cuando la manija está paralela al tubo de gas. Luego pruebe todas las conexiones aplicando con un cepillo una solución aprobada para detección de fugas que no sea corrosiva. Se observarán burbujas si hay fugas. Tape cualquier fuga que encuentre.

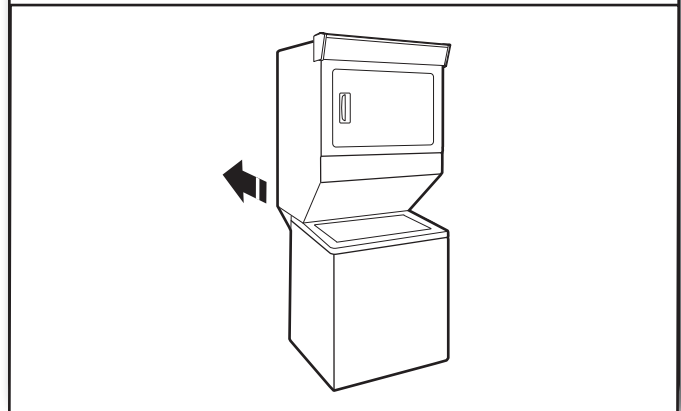
Conecte el ducto de escape

1. Conecte el ducto de escape a la salida de escape (se muestra el modelo de 27" [69 cm])



Usando una abrazadera de 4" (102 mm), conecte el ducto de escape a la salida de aire en la secadora. Si se conecta a un ducto de escape existente, asegúrese de que el mismo esté limpio. El ducto de escape de la secadora debe encajar sobre la salida de aire de la secadora y dentro de la capota de ventilación. Cerciórese de que el ducto de escape esté asegurado a la capota de ventilación con una abrazadera de 4" (102 mm).

2. Mueva la lavadora/secadora a su posición final



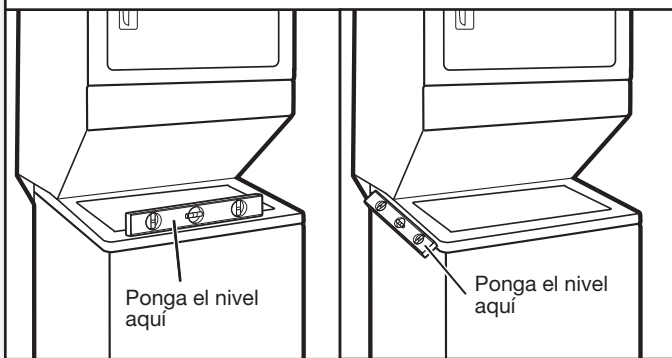
Traslade la lavadora/secadora hacia su ubicación final, teniendo cuidado de no aplastar ni torcer el ducto de escape. Después de que la lavadora/secadora se encuentre en su ubicación final, quite los esquinales y el cartón que están debajo de la misma.

Pasos finales de instalación

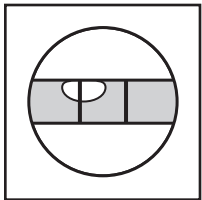
Nivelación de la lavadora/ secadora

IMPORTANTE: El nivelar adecuadamente su lavadora/secadora reduce el ruido y la vibración en exceso.

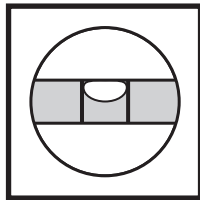
1. Revise la nivelación de la lavadora/ secadora



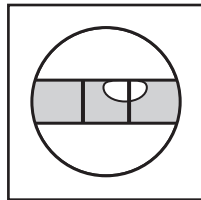
Con la lavadora/secadora en su ubicación final, coloque un nivel en los bordes superiores de la misma. Use la hendidura lateral como una guía para revisar la nivelación de los lados. Revise la nivelación del frente usando la tapa, como se muestra. Balancee la lavadora/secadora hacia delante y hacia atrás para asegurarse de que las cuatro patas hagan contacto firme con el piso. Si la lavadora/secadora está nivelada, saltee al paso 3 (modelos de 24" [61 cm]) o al "Instale los soportes antivuelco" (modelos de 27" [69 cm]).



No está nivelada

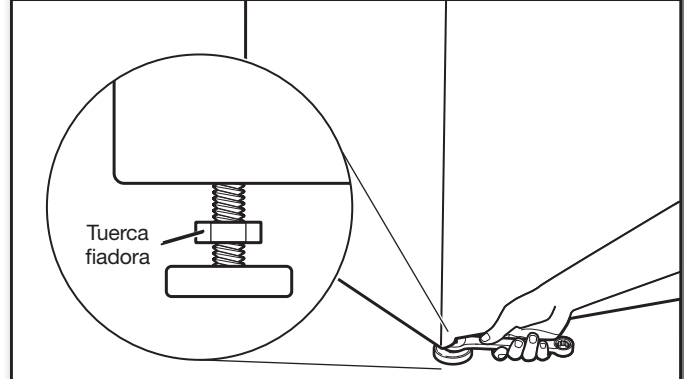


NIVELADA



No está nivelada

2. Cómo ajustar las patas niveladoras (se muestra el modelo de 24" [61 cm])



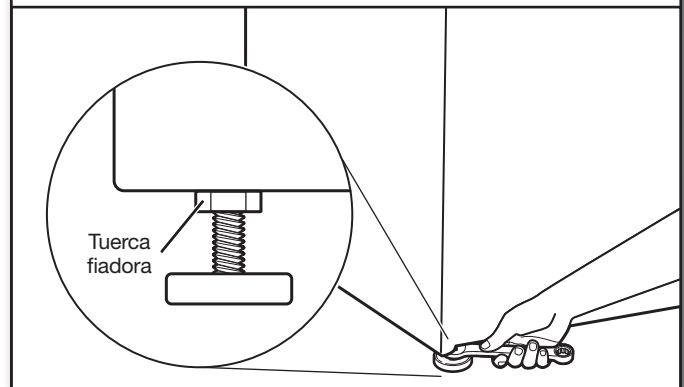
Si la lavadora/secadora no está nivelada, puede apuntalar el frente de la lavadora/secadora aproximadamente 4" (102 mm) con un bloque de madera o un objeto similar que vaya a soportar el peso de la lavadora/secadora.

En los modelos de 24" (61 cm), use una llave de boca o una llave ajustable de 9/16" ó 14 mm para girar las tuercas fiadoras hacia la derecha sobre las patas, hasta que estén a aproximadamente 1/2" (13 mm) de la carcasa de la lavadora/secadora. Luego gire la pata niveladora hacia la derecha para bajar la lavadora/secadora, o hacia la izquierda para levantarla.

En los modelos de 27" (69 cm), ajuste las patas niveladoras hacia arriba o hacia abajo según sea necesario.

En todos los modelos, quite el bloque de madera y baje la lavadora/secadora. Revise la nivelación de la lavadora/secadora nuevamente y repita el procedimiento según sea necesario.

3. Apriete las patas niveladoras (modelos de 24" [61 cm])

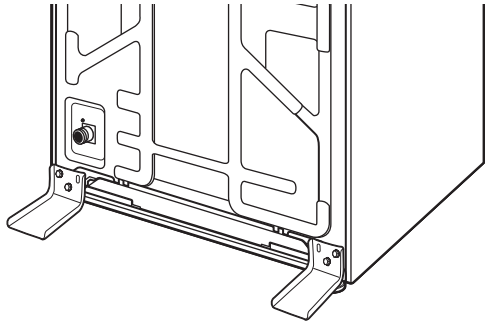


Una vez que la lavadora/secadora esté nivelada, use una llave de boca de 9/16" ó 14 mm, o bien una llave ajustable, para girar las tuercas fiadoras en las patas niveladoras hacia la izquierda y apretarlas con firmeza contra la carcasa de la lavadora/secadora.

CONSEJO ÚTIL: Puede apuntalar la lavadora/secadora con un bloque de madera.

Instale los soportes antivuelco (modelos de 27" [69 cm] solamente)

1. Fije los soportes antivuelco



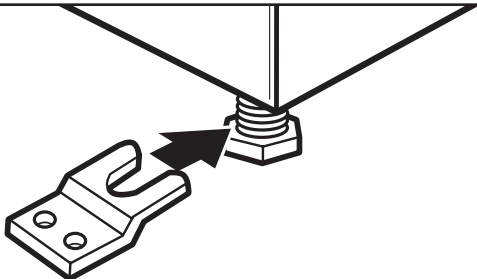
IMPORTANTE: Deben instalarse los soportes antivuelco en los modelos de 27" (69 cm) para evitar posibles vuelcos hacia atrás de la lavadora/secadora.

Con la lavadora/secadora en su ubicación final, ubique los soportes antivuelco en las esquinas inferior izquierda y derecha de la parte trasera de la lavadora/secadora, alineando los orificios en los soportes con las perforaciones en la carcasa, como se muestra.

Inserte dos de los tornillos proporcionados en los orificios superior izquierdo e inferior del soporte del lado izquierdo con una llave de tuerca de 1/4" (6,5 mm) o llave de cubo, y apriete firmemente en la carcasa de la lavadora/secadora. Repita los pasos para el soporte del lado derecho utilizando los orificios superior derecho e inferior.

Asegure la lavadora/secadora a gas al piso (modelos de gas de 27" [69 cm] instalados en casas rodantes solamente)

1. Asegure la lavadora/secadora al piso



Para usar en casas rodantes: Las lavadoras/secadoras con secadoras a gas deben estar ajustadas firmemente al piso.

Las instalaciones en casas rodantes requieren un Juego para la instalación en casas rodantes. Vea "Herramientas y piezas" para obtener información sobre pedidos.

Enchufe la lavadora/secadora: modelos eléctricos de 27" (69 cm) con cable de suministro de energía y modelos eléctricos de 24" (61 cm) de 240V

⚠ ADVERTENCIA



Peligro de Choque Eléctrico

Conecte a un contacto de pared de conexión a tierra de 3 ó 4 terminales.

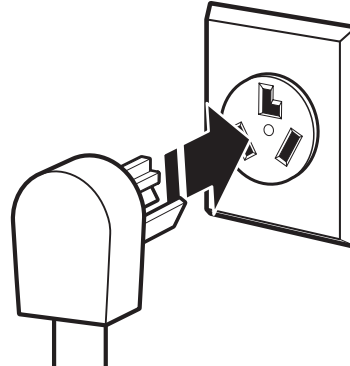
No quite la terminal de conexión a tierra.

No use un adaptador.

No use un cable eléctrico de extensión.

No seguir estas instrucciones puede ocasionar la muerte, incendio o choque eléctrico.

1. Conecte a un contacto de pared de conexión a tierra de 3 ó 4 terminales



Enchufe la lavadora/secadora: modelos a gas de 27" (69 cm)

⚠ ADVERTENCIA



Peligro de Choque Eléctrico

Conecte a un contacto de pared de conexión a tierra de 3 terminales.

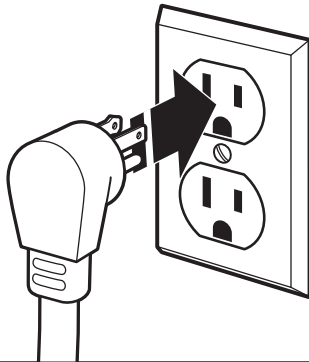
No quite la terminal de conexión a tierra.

No use un adaptador.

No use un cable eléctrico de extensión.

No seguir estas instrucciones puede ocasionar la muerte, incendio o choque eléctrico.

1. Conecte a un contacto de pared de conexión a tierra de 3 terminales



Enchufe la lavadora/secadora: modelos eléctricos de 24" (61 cm) de 120V

⚠ ADVERTENCIA



Peligro de Choque Eléctrico

Conecte a un contacto de pared de conexión a tierra de 3 terminales.

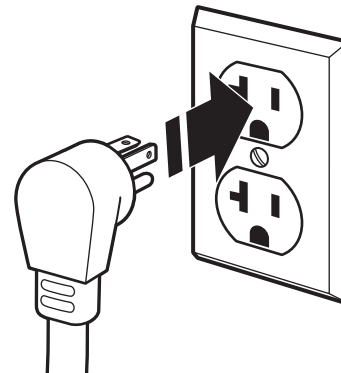
No quite la terminal de conexión a tierra.

No use un adaptador.

No use un cable eléctrico de extensión.

No seguir estas instrucciones puede ocasionar la muerte, incendio o choque eléctrico.

1. Conecte a un contacto de pared de conexión a tierra de 3 terminales de 20 amperios (5-20R)



Lista de control para la realización de la instalación

- Revise para cerciorarse de que todas las piezas estén instaladas. Si hay alguna pieza extra, vuelva a revisar todos los pasos para ver cuál se omitió.
- Verifique si tiene todas las herramientas.
- Deshágase de todos los materiales de embalaje o recíclelos. Guarde la espuma de plástico (modelos de 24" [61 cm]) en el caso de que deba transportar la lavadora/secadora.
- Revise la localización final de la lavadora/secadora. Asegúrese de que el ducto de escape no esté aplastado o retorcido.
- Verifique si la lavadora/secadora está nivelada y las patas niveladoras (modelos de 24" [61 cm]) son apretadas. Vea "Nivelación de la lavadora/secadora."

Modelos eléctricos (EE.UU):

- Modelos de 240V: Para una instalación con cable de suministro de energía, enchufe en un contacto de pared de conexión a tierra de 3 ó 4 terminales. Para una instalación con cableado directo (modelos de 27" [69 cm] solamente), encienda el suministro de energía.
- Modelos de 120V: Enchufe en un contacto de pared de conexión a tierra de 3 terminales de 20 amperios.

Modelos a gas:

- Enchufe en un contacto de pared de conexión a tierra de 3 terminales.

Todos los modelos:

- Revise para cerciorarse de que los grifos de agua estén abiertos.
- Revise si hay pérdidas de agua alrededor de los grifos y las mangueras de entrada.
- Quite la película que está en la consola y cualquier cinta adhesiva restante que esté en la lavadora/secadora.
- Lea el Manual de uso y cuidado de la lavadora/secadora.
- Limpie el interior del tambor de la secadora meticulosamente con un paño húmedo para quitar residuos de polvo.
- Para probar y limpiar su lavadora, mida la mitad de la cantidad recomendada del detergente y viértalo en la canasta de la lavadora. Cierre la tapa. Seleccione el ciclo Heavy Duty o Heavy (Intenso) (según el modelo), y luego presione START/PAUSE (Inicio/Pausa). Deje que termine un ciclo completo.
- Para probar la secadora, fije la secadora en un ciclo completo de calor (no en un ciclo de aire) por 20 minutos y póngala en marcha.

Si la secadora no funciona, revise lo siguiente:

- Que los controles estén fijados en una posición de funcionamiento o encendido.
 - Que se ha presionado con firmeza el botón de Start (Inicio).
 - Que la lavadora/secadora esté conectada en un contacto con conexión a tierra.
 - Que el suministro de energía eléctrica está encendido.
 - Que el fusible de la casa esté intacto y ajustado, o que no se haya disparado el cortacircuitos.
 - Que la puerta de la secadora esté cerrada.
- Después de que la secadora haya estado funcionando durante 5 minutos, abra la puerta y fíjese si está caliente.

Si no está caliente, apague la secadora y revise lo siguiente:

- Secadoras eléctricas: Posiblemente hayan dos fusibles o cortacircuitos domésticos para la secadora. Revise para asegurarse de que ambos fusibles estén intactos y ajustados, o que ambos cortacircuitos no se hayan disparado. Si después de esto todavía no calienta, póngase en contacto con un técnico competente.
- Secadoras a gas: Verifique si la válvula de cierre de la línea de suministro de gas está abierta. Si la válvula está cerrada, ábrala y repita la prueba de 5 minutos como se ha descrito arriba. Si la válvula de cierre de la línea de suministro de gas está abierta, contacte a un técnico calificado.

NOTA: En los modelos eléctricos, cuando caliente la secadora por primera vez quizás sienta un olor. Este olor es común cuando se usa por primera vez el elemento de calefacción. El olor desaparecerá.

Notas

