

PEDESTAL INSTALLATION INSTRUCTIONS

For use only with front load washers and dryers

INSTRUCTIONS D'INSTALLATION DU PIÉDESTAL

Pour utilisation avec les laveuses et sècheuses à chargement frontal

Table of Contents

PEDESTAL SAFETY	2
INSTALLATION REQUIREMENTS	2
Tools and Parts	2
INSTALLATION INSTRUCTIONS.....	3
Before Installing Pedestal.....	3
INSTALLING THE PEDESTAL	4
COMPLETE THE INSTALLATION.....	5
WARRANTY	6

Table des matières

SÉCURITÉ DU PIÉDESTAL	9
EXIGENCES D'INSTALLATION	9
Outillage et pièces.....	9
INSTRUCTIONS D'INSTALLATION.....	10
Avant l'installation du piédestal	10
INSTALLATION DU PIÉDESTAL	11
ACHEVER L'INSTALLATION	12
GARANTIE.....	14

INSTALLATION NOTES

Date of purchase: _____
Date of installation: _____
Installer: _____
Model number: _____
Serial number: _____

NOTES CONCERNANT L'INSTALLATION

Date d'achat : _____
Date d'installation : _____
Installateur : _____
Numéro de modèle : _____
Numéro de série : _____

PEDESTAL SAFETY

Your safety and the safety of others are very important.

We have provided many important safety messages in this manual and on your appliance. Always read and obey all safety messages.



This is the safety alert symbol.

This symbol alerts you to potential hazards that can kill or hurt you and others.

All safety messages will follow the safety alert symbol and either the word "DANGER" or "WARNING."

These words mean:

⚠ DANGER

You can be killed or seriously injured if you don't immediately follow instructions.

⚠ WARNING

You can be killed or seriously injured if you don't follow instructions.

All safety messages will tell you what the potential hazard is, tell you how to reduce the chance of injury, and tell you what can happen if the instructions are not followed.

INSTALLATION REQUIREMENTS

⚠ WARNING



Explosion Hazard

Keep flammable materials and vapors, such as gasoline, away from dryer.

Place dryer at least 18 inches (460 mm) above the floor for a garage installation.

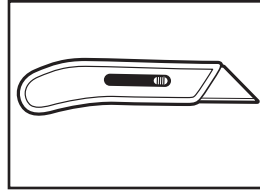
Failure to do so can result in death, explosion, or fire.

NOTE: If the washer/dryer and pedestal assembly are located in a garage, 8" (203 mm) must be added under the pedestal so that the washer/dryer is 18" (460 mm) above the garage floor.

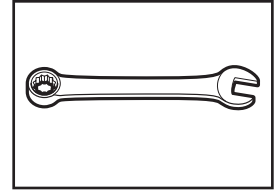
TOOLS AND PARTS

Gather the required tools and parts before starting installation.

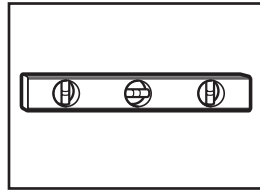
Tools Needed:



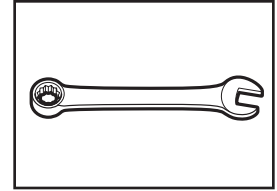
Utility knife



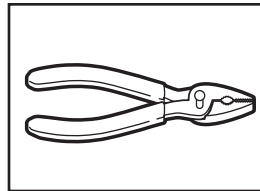
1/4" hex head ratchet or open-end wrench



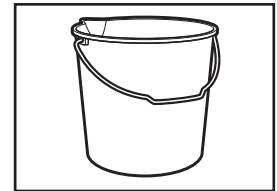
Level



9/16" open-end wrench

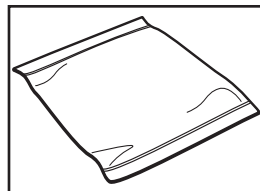


Pliers or slip-joint pliers

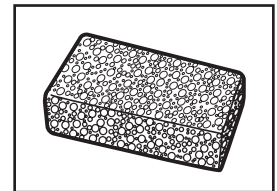


Bucket

Additional Items Needed:

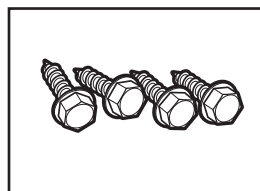


Towel

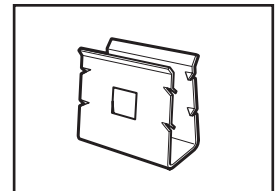


Sponge

Parts Supplied:



Four #12 x 5/8" hex head sheet metal screws (in parts bag)



Two retainer clips (in parts bag)

INSTALLATION INSTRUCTIONS

BEFORE INSTALLING PEDESTAL

IMPORTANT: If your washer and dryer are already installed, they must be uninstalled.

Uninstalling your washer

WARNING

Excessive Weight Hazard

Use two or more people to move and uninstall washer.

Failure to do so can result in back or other injury.

NOTE : If the washer is to be transported, call your local service center. To prevent suspension and structural damage, your machine must be properly set up for relocation by a certified technician.

1. Turn off the hot and cold water faucets.
2. Unplug the power supply cord.
3. Slowly loosen the fill hoses at the faucets to relieve the water pressure. Use a sponge or towel to absorb the released water.
4. Remove the “HOT” and “COLD” fill hoses from the back of the washer. Drain the water from the hoses into a bucket.
5. Remove the drain hose from the standpipe or laundry tub and drain any water remaining in the hose into a bucket.
6. Pull the washer away from the wall so it can be tipped on its back.
7. Protect the floor with a large piece of cardboard cut from the pedestal carton. Lay the washer on its back (make sure that the power supply cord is not under the washer) so that the cardboard is under the entire lower back edge of the washer.
8. An additional small amount of water will drain out of the washer when it is tipped back. Go to “Installing the Pedestal” section.

Uninstalling your electric dryer

WARNING

Excessive Weight Hazard

Use two or more people to move and uninstall dryer.

Failure to do so can result in back or other injury.

1. Unplug the power supply cord.
2. Pull the dryer away from the wall enough to loosen the vent clamp. Loosen the clamp and gently remove the exhaust vent from the dryer exhaust outlet.
3. Pull the dryer away from the wall so that it can be tipped on its back.
4. Protect the floor with a large piece of cardboard cut from the pedestal carton. Lay the dryer on its back (make sure that the power supply cord is not under the dryer) so that the cardboard is under the entire lower back edge of the dryer. Go to “Installing the Pedestal” section.

Uninstalling your gas dryer

WARNING

Excessive Weight Hazard

Use two or more people to move and uninstall dryer.

Failure to do so can result in back or other injury.

1. Unplug the power supply cord.
2. Turn off the gas supply.
3. Pull the dryer away from the wall enough to loosen the vent clamp. Loosen the clamp and gently remove the exhaust vent from the dryer exhaust outlet.
4. Disconnect the flexible gas supply line from the dryer. Put a piece of tape over the open ends of the gas line connection fittings.
5. Pull the dryer away from the wall so that it can be tipped on its back.
6. Protect the floor with a large piece of cardboard cut from the pedestal carton. Lay the dryer on its back (make sure that the power supply cord is not under the dryer) so that the cardboard is under the entire lower back edge of the dryer. Go to “Installing the Pedestal” section.

INSTALLING THE PEDESTAL

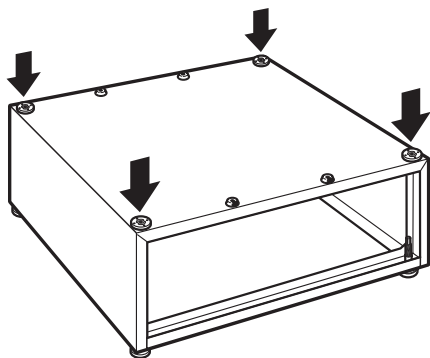
⚠ WARNING

Excessive Weight Hazard

Use two or more people to move and install pedestal.
Failure to do so can result in back or other injury.

Follow these instructions to install the pedestal on a washer or dryer.

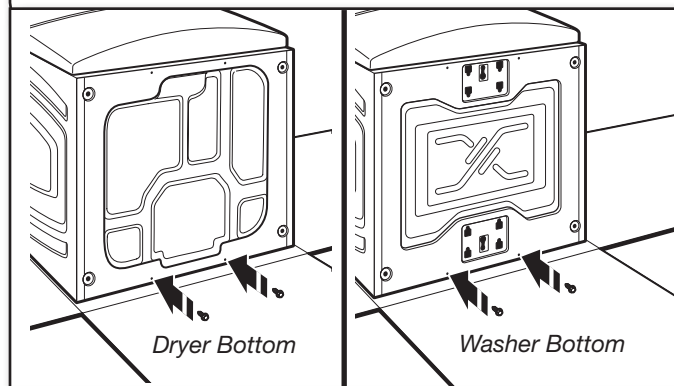
1. Locate spacer pads



Make sure that all four spacer pads are in place on the top of the pedestal. These pads reduce vibration between the pedestal and the washer/dryer.

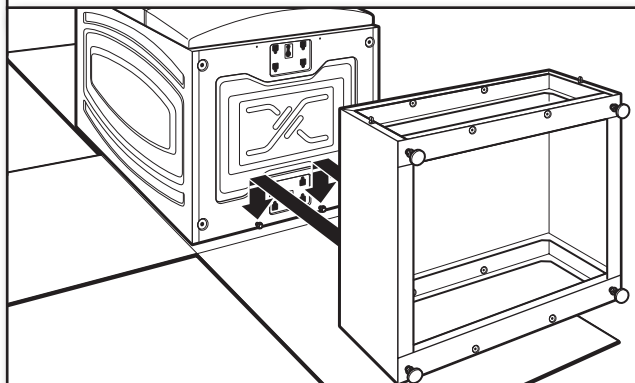
NOTE: If your washer/dryer has feet installed, remove them. Do not install the feet that came with a new washer/dryer.

2. Prepare the washer/dryer



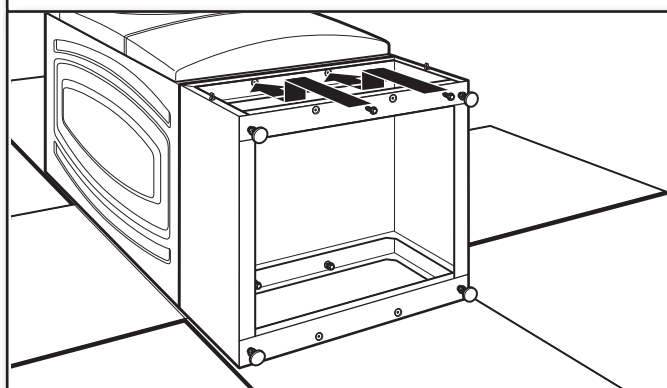
Partially install two of the #12 x 5/8" hex head sheet metal screws in the lower holes. Leave a space of about 3/8" (10 mm) between the screw head and the bottom of the washer/dryer.

3. Attach the pedestal



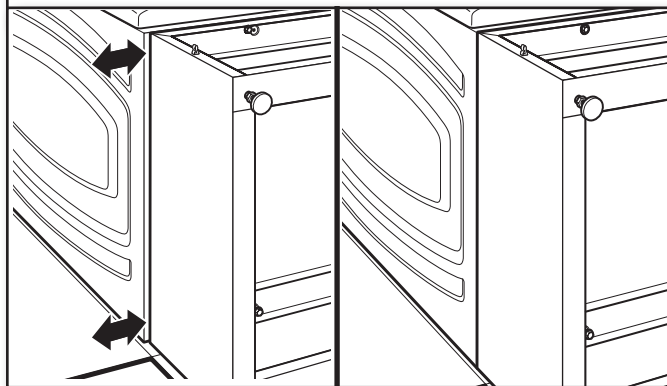
Move the pedestal against the washer/dryer bottom. Slide the pedestal's keyhole slots over the lower two partially installed screws.

4. Secure the pedestal



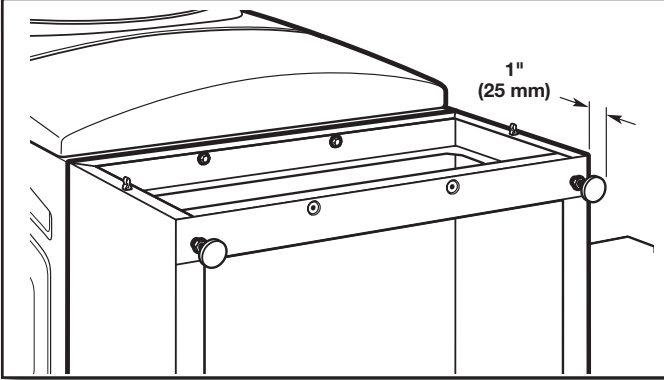
Position the pedestal toward the front of the washer/dryer and install the two remaining hex head sheet metal screws. Do not tighten completely.

5. Align sides of pedestal



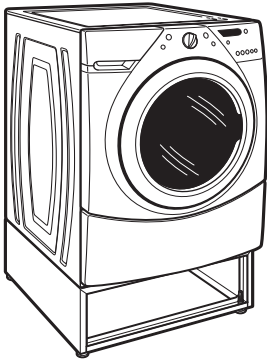
Align the sides of the pedestal so that they are even with the sides of the washer/dryer. Reach inside the pedestal opening and securely tighten all four pedestal screws.

6. Prepare pedestal feet



The pedestal arrives with the feet tight against the bottom of the unit. Using a 1/4" hex head ratchet or open-end wrench, lower the feet approximately 1" away from the bottom of the pedestal.

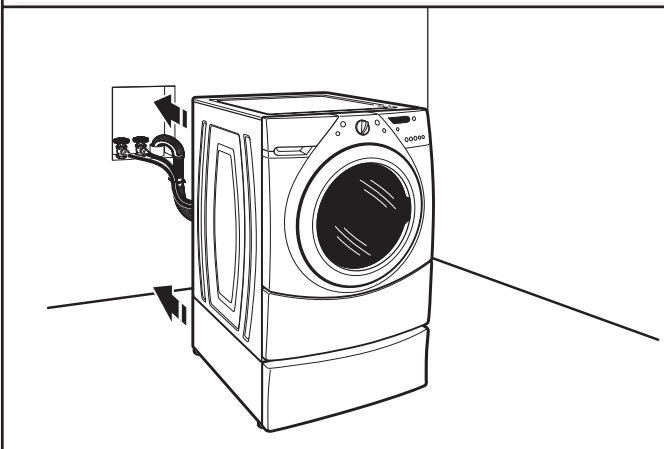
7. Stand the washer/dryer upright



Tip the washer/dryer back to its upright position. Remove and discard any remaining packaging material.

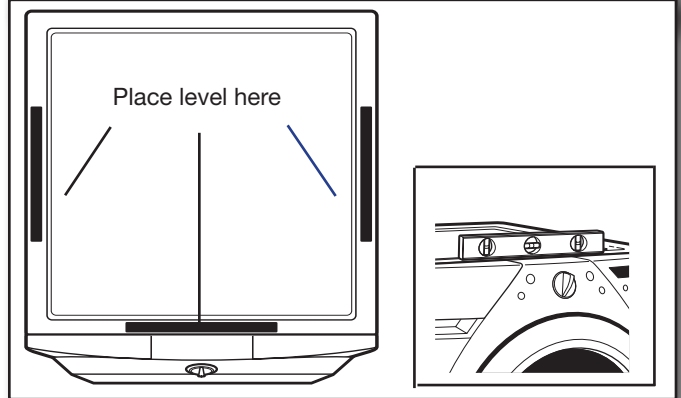
COMPLETE THE INSTALLATION

8. Move close to final location

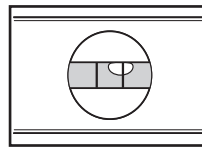


Follow the installation instructions that came with your model to finish installing or reinstalling your washer/dryer (i.e., hoses, vents, etc.).

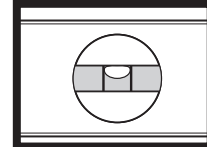
9. Check levelness of washer/dryer



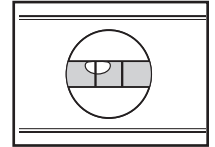
Place a level on top edges of washer/dryer, checking each side and front. Rock machine back and forth to make sure all four feet make solid contact with floor.



Not Level



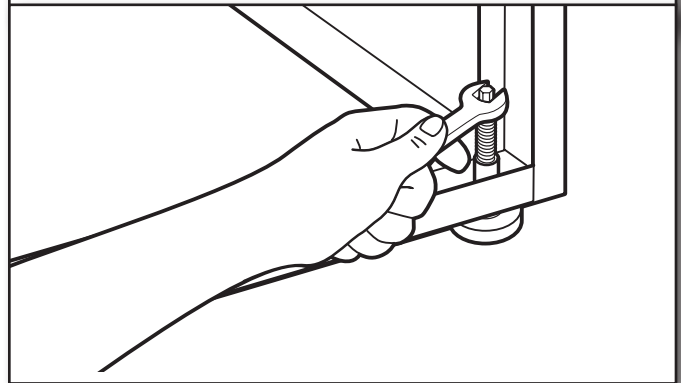
LEVEL



Not Level

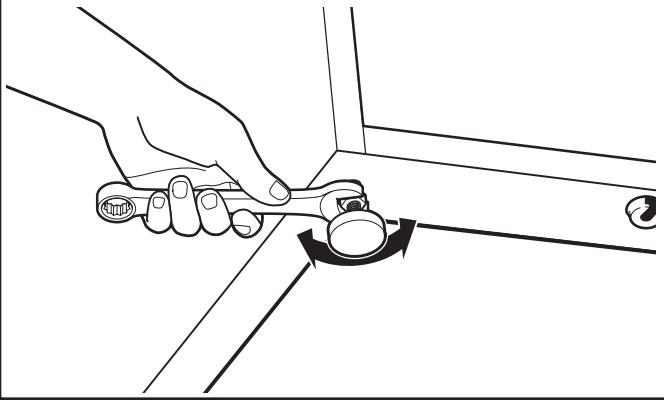
If not level, adjust pedestal feet up or down, repeating as necessary.

10. Adjust pedestal feet



Locate the 1/4" hex head screws on the top of each pedestal foot. Reach inside the pedestal and use a 1/4" hex head ratchet or open-end wrench to adjust the feet up or down as needed to level the washer/dryer.

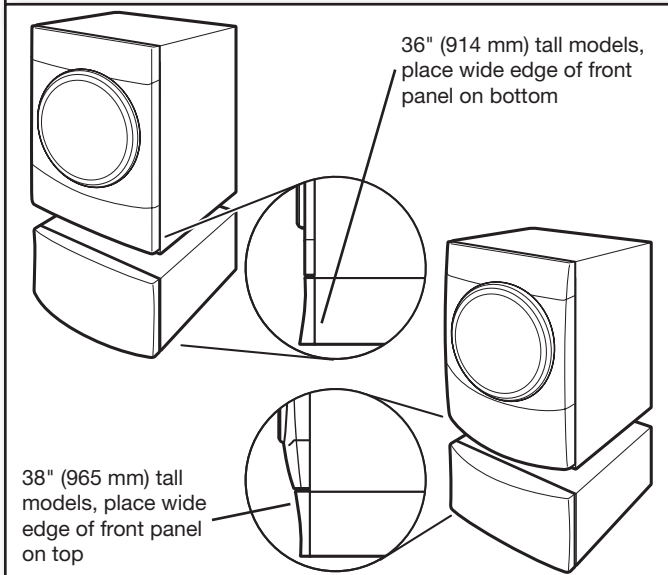
11. Securely tighten locknuts



When the washer/dryer is level, use a 9/16" open-end wrench to securely tighten all four locknuts against the pedestal.

IMPORTANT: The locknuts must be tightened to prevent vibration.

12. Install pedestal front panel



Align the front panel with the pedestal and snap in place.

NOTE: Follow the "Showroom Display Kit Installation Instructions" if you wish to use the two retainer clips included in the parts bag. Discard the retainer clips if not used.

WHIRLPOOL CORPORATION PEDESTAL WARRANTY

ONE YEAR LIMITED WARRANTY

For one year from the date of purchase, when this appliance is operated and maintained according to instructions attached to or furnished with the product and is used with the appropriate Whirlpool Corporation front-load washer or dryer, Whirlpool or Whirlpool Canada (hereafter "Whirlpool") will pay for factory specified replacement parts and repair labor to correct defects in materials or workmanship. Service must be provided by a Whirlpool designated service company.

ITEMS WHIRLPOOL WILL NOT PAY FOR

1. Service calls to correct the installation of your appliance, to instruct you how to use your appliance, to replace or repair house fuses or to correct house wiring or plumbing.
 2. Repairs when your appliance is used for other than normal, single-family household use.
 3. Damage resulting from accident, alteration, misuse, abuse, fire, flood, acts of God, improper installation, installation not in accordance with electrical or plumbing codes, or use of products not approved by Whirlpool.
 4. Replacement parts or repair labor costs for units operated outside the United States or Canada.
 5. Pickup and delivery. This appliance is designed to be repaired in the home.
 6. Repairs to parts or systems resulting from unauthorized modifications made to the appliance.
 7. Expenses for travel and transportation for product service in remote locations.
 8. The removal and reinstallation of your appliance if it is installed in an inaccessible location or is not installed in accordance with published installation instructions.
-

DISCLAIMER OF IMPLIED WARRANTIES; LIMITATION OF REMEDIES

CUSTOMER'S SOLE AND EXCLUSIVE REMEDY UNDER THIS LIMITED WARRANTY SHALL BE PRODUCT REPAIR AS PROVIDED HEREIN. IMPLIED WARRANTIES, INCLUDING WARRANTIES OF MERCHANTABILITY OR FITNESS FOR A PARTICULAR PURPOSE, ARE LIMITED TO ONE YEAR OR THE SHORTEST PERIOD ALLOWED BY LAW. WHIRLPOOL SHALL NOT BE LIABLE FOR INCIDENTAL OR CONSEQUENTIAL DAMAGES. SOME STATES AND PROVINCES DO NOT ALLOW THE EXCLUSION OR LIMITATION OF INCIDENTAL OR CONSEQUENTIAL DAMAGES, OR LIMITATIONS ON THE DURATION OF IMPLIED WARRANTIES OF MERCHANTABILITY OR FITNESS, SO THESE EXCLUSIONS OR LIMITATIONS MAY NOT APPLY TO YOU. THIS WARRANTY GIVES YOU SPECIFIC LEGAL RIGHTS AND YOU MAY ALSO HAVE OTHER RIGHTS, WHICH VARY FROM STATE TO STATE OR PROVINCE TO PROVINCE.

Outside the 50 United States and Canada, this warranty does not apply. Contact your authorized Whirlpool dealer to determine if another warranty applies. If you need service, call **1-888-664-5303**.

1/09

Keep this book and your sales slip together for future reference. You must provide proof of purchase or installation date for in-warranty service.

Write down the following information about your major appliance to better help you obtain assistance or service if you ever need it. You will need to know your complete model number and serial number. You can find this information on the model and serial number label located on the product.

Dealer name _____
Address _____
Phone number _____
Model number _____
Serial number _____
Purchase date _____

LAUNDRY PRODUCT WARRANTY

Before you call for Service

If this laundry product was purchased at Sears, the Kenmore® Laundry Product Warranty” applies (see following).

If this laundry product was purchased elsewhere, the “Whirlpool Corporation Laundry Product Warranty” applies (see following). Please have your sales receipt available when you call Whirlpool Corporation for service under the “Whirlpool Corporation Laundry Product Warranty.”

KENMORE LAUNDRY PRODUCT WARRANTY

ONE YEAR LIMITED WARRANTY

When installed, operated and maintained according to all instructions supplied with the product, if this laundry product fails due to a defect in material or workmanship within one year from the date of purchase, call 1-800-4-MY-HOME to arrange for free repair. If this laundry product is used for other than private family purposes, this warranty applies for only 90 days from the date of purchase.

THIS WARRANTY COVERS ONLY DEFECTS IN MATERIAL AND WORKMANSHIP. SEARS WILL NOT PAY FOR:

1. Expendable items that can wear out from normal use, including but not limited to filters, belts, light bulbs, and bags.
2. A service technician to instruct the user in correct product installation, operation or maintenance.
3. A service technician to clean or maintain this product.
4. Damage to or failure of this product if it is not installed, operated or maintained according to all instructions supplied with the product.
5. Damage to or failure of this product resulting from accident, abuse, misuse or use for other than its intended purpose.
6. Damage to or failure of this product caused by the use of detergents, cleaners, chemicals or utensils other than those recommended in all instructions supplied with the product.
7. Damage to or failure of parts or systems resulting from unauthorized modifications made to this product.

DISCLAIMER OF IMPLIED WARRANTIES; LIMITATION OF REMEDIES

Customer's sole and exclusive remedy under this limited warranty shall be product repair as provided herein. Implied warranties, including warranties of merchantability or fitness for a particular purpose, are limited to one year or the shortest period allowed by law. Sears shall not be liable for incidental or consequential damages. Some states and provinces do not allow the exclusion or limitation of incidental or consequential damages, or limitations on the duration of implied warranties of merchantability or fitness, so these exclusions or limitations may not apply to you.

This warranty applies only while this laundry product is used in the United States and Canada.

This warranty gives you specific legal rights, and you may also have other rights which vary from state to state.

**Sears, Roebuck and Co.
Hoffman Estates, IL 60179**

**Sears Canada Inc.
Toronto, Ontario, Canada M5B 2B8**

PRODUCT RECORD

In the space below, record your complete model number, serial number, and purchase date. You can find this information on the model and serial number label located on the product.

Have this information available to help you obtain assistance or service more quickly whenever you contact Sears concerning your laundry product.

Model number _____

Serial number _____

Purchase date _____

Save these instructions and your sales receipt for future reference.

SÉCURITÉ DU PIÉDESTAL

Votre sécurité et celle des autres est très importante.

Nous donnons de nombreux messages de sécurité importants dans ce manuel et sur votre appareil ménager. Assurez-vous de toujours lire tous les messages de sécurité et de vous y conformer.



Voici le symbole d'alerte de sécurité.

Ce symbole d'alerte de sécurité vous signale les dangers potentiels de décès et de blessures graves à vous et à d'autres.

Tous les messages de sécurité suivront le symbole d'alerte de sécurité et le mot "DANGER" ou "AVERTISSEMENT". Ces mots signifient :

⚠ DANGER

Risque possible de décès ou de blessure grave si vous ne suivez pas immédiatement les instructions.

⚠ AVERTISSEMENT

Risque possible de décès ou de blessure grave si vous ne suivez pas les instructions.

Tous les messages de sécurité vous diront quel est le danger potentiel et vous disent comment réduire le risque de blessure et ce qui peut se produire en cas de non-respect des instructions.

EXIGENCES D'INSTALLATION

⚠ AVERTISSEMENT



Risque d'explosion

Garder les matières et les vapeurs inflammables, telle que l'essence, loin de la sècheuse.

Placer la sècheuse au moins 460 mm (18 po) au-dessus du plancher pour une installation dans un garage.

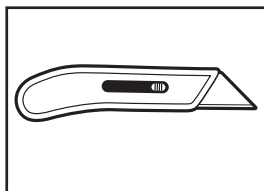
Le non-respect de ces instructions peut causer un décès, une explosion ou un incendie.

NOTE : Si l'ensemble de laveuse/sècheuse et du piédestal se trouve dans un garage, il faut ajouter 8" (203 mm) en dessous du piédestal pour que l'ensemble de laveuse/sècheuse soit à 18" (460 mm) au-dessus du plancher du garage.

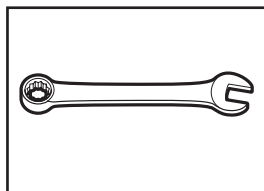
OUTILLAGE ET PIÈCES

Rassembler les outils et pièces nécessaires avant de commencer l'installation.

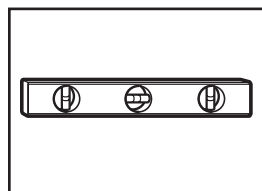
Outillage nécessaire:



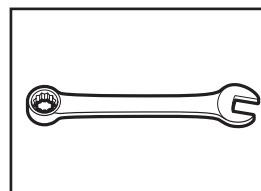
Couteau utilitaire



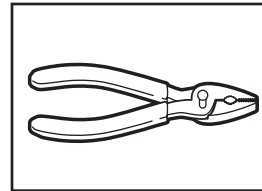
Clé à cliquet à tête hexagonale de 1/4" ou clé plate



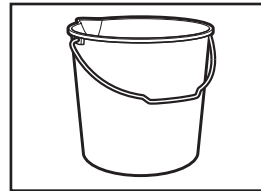
Niveau



Clé plate 9/16"

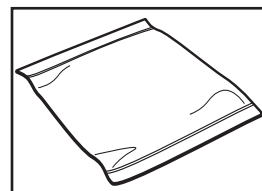


Pince ou pince articulée

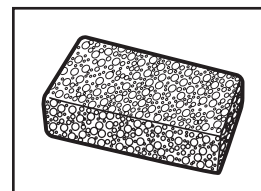


Seau

Autres articles nécessaires :

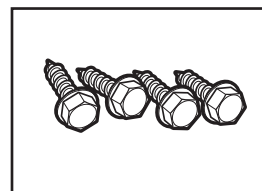


Serviette

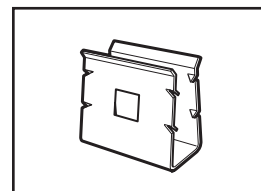


Éponge

Pièces fournies:



Quatre vis de tôle n° 12 x 5/8" à tête hexagonale (sachet de pièces)



Deux attaches de retenue (sachet de pièces)

INSTRUCTIONS D'INSTALLATION

AVANT L'INSTALLATION DU PIÉDESTAL

IMPORTANT : Si l'ensemble de laveuse et sècheuse est déjà installé, on doit le désinstaller.

Désinstallation de la laveuse

⚠ AVERTISSEMENT

Risque du poids excessif

Utiliser deux ou plus de personnes pour déplacer et désinstaller la laveuse.

Le non-respect de cette instruction peut causer une blessure au dos ou d'autre blessure.

NOTE : Si la laveuse doit être transportée, appeler le centre de service local. Afin d'éviter tout endommagement de la suspension et de la structure, votre appareil doit d'abord être correctement installé pour être ensuite réinstallé par un technicien certifié.

1. Fermer les robinets d'arrivée d'eau chaude et d'eau froide.
2. Débrancher le cordon d'alimentation électrique.
3. Desserrer doucement les raccords des tuyaux d'alimentation sur les robinets pour libérer la pression de l'eau. Utiliser une éponge ou une serviette pour absorber l'eau libérée.
4. Déconnecter les tuyaux d'arrivée d'eau chaude et d'eau froide de l'arrière de la laveuse. Laisser l'eau dans les tuyaux s'écouler dans un seau.
5. Enlever le tuyau de vidange du tuyau principal ou de l'évier de buanderie et vidanger l'eau qui reste dans un seau.
6. Écarter la laveuse du mur pour pouvoir la faire basculer et la faire reposer sur la face arrière.
7. Protéger le plancher avec une grande feuille de carton (provenant de l'emballage du piédestal). Placer la laveuse sur la face arrière, sur la feuille de carton (veiller à ne pas laisser le cordon d'alimentation coincé sous l'appareil). La feuille de carton doit empêcher la totalité du rebord inférieur de la laveuse de toucher le plancher.
8. Une quantité d'eau additionnelle peut s'écouler de la laveuse lorsqu'elle est en appui sur la face arrière. Passer à la section "Installation du piédestal".

Désinstallation de la sècheuse électrique

⚠ AVERTISSEMENT

Risque du poids excessif

Utiliser deux ou plus de personnes pour déplacer et désinstaller la sècheuse.

Le non-respect de cette instruction peut causer une blessure au dos ou d'autre blessure.

1. Débrancher le cordon d'alimentation électrique.
2. Écarter la sècheuse du mur suffisamment pour pouvoir desserrer la bride du conduit d'évacuation. Desserrer la bride et retirer doucement le conduit d'évacuation de la bouche de décharge de la sècheuse.
3. Écarter la sècheuse du mur pour pouvoir la faire basculer et la faire reposer sur la face arrière.
4. Protéger le plancher avec une grande feuille de carton (provenant de l'emballage du piédestal). Placer la sècheuse sur la face arrière, sur la feuille de carton (veiller à ne pas laisser le cordon d'alimentation coincé sous l'appareil). La feuille de carton doit empêcher la totalité du rebord inférieur de la sècheuse de toucher le plancher. Passer à la section "Installation du piédestal".

Désinstallation de la sècheuse à gaz

⚠ AVERTISSEMENT

Risque du poids excessif

Utiliser deux ou plus de personnes pour déplacer et désinstaller la sècheuse.

Le non-respect de cette instruction peut causer une blessure au dos ou d'autre blessure.

1. Débrancher le cordon d'alimentation électrique.
2. Fermer l'arrivée de gaz.
3. Écarter la sècheuse du mur suffisamment pour pouvoir desserrer la bride du conduit d'évacuation. Desserrer la bride et retirer doucement le conduit d'évacuation de la bouche de décharge de la sècheuse.
4. Déconnecter le conduit flexible de la canalisation de gaz de la sècheuse. Obturer avec du ruban adhésif l'ouverture de chaque raccord de la canalisation de gaz.
5. Écarter la sècheuse du mur pour pouvoir la faire basculer et la faire reposer sur la face arrière.
6. Protéger le plancher avec une grande feuille de carton (provenant de l'emballage du piédestal). Placer la sècheuse sur la face arrière, sur la feuille de carton (veiller à ne pas laisser le cordon d'alimentation coincé sous l'appareil). La feuille de carton doit empêcher la totalité du rebord inférieur de la sècheuse de toucher le plancher. Passer à la section "Installation du piédestal".

INSTALLATION DU PIÉDESTAL

⚠ AVERTISSEMENT

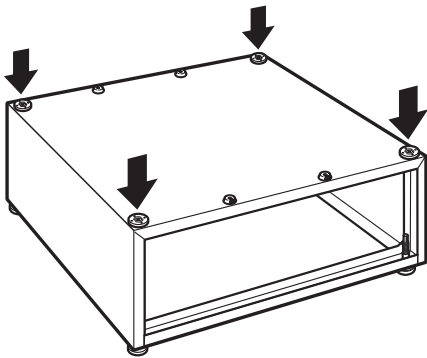
Risque du poids excessif

Utiliser deux ou plus de personnes pour déplacer et installer le piédestal.

Le non-respect de cette instruction peut causer une blessure au dos ou d'autre blessure.

Pour l'installation du piédestal en conjonction avec une laveuse ou une sècheuse, suivre les instructions qui suivent.

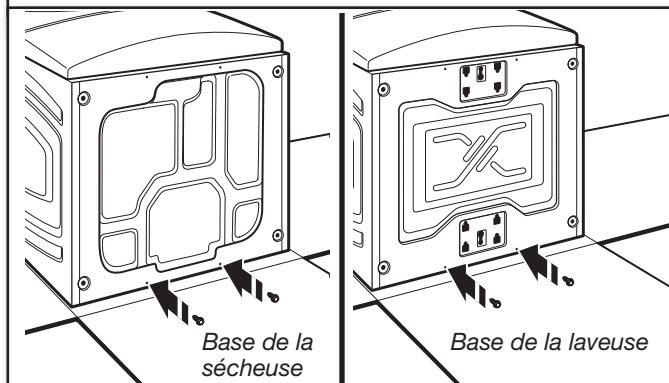
1. Identifier les cales d'espacement



Veiller à placer les quatre cales d'espacement au sommet du piédestal. Ces cales réduisent les vibrations entre le piédestal et l'appareil (laveuse ou sècheuse).

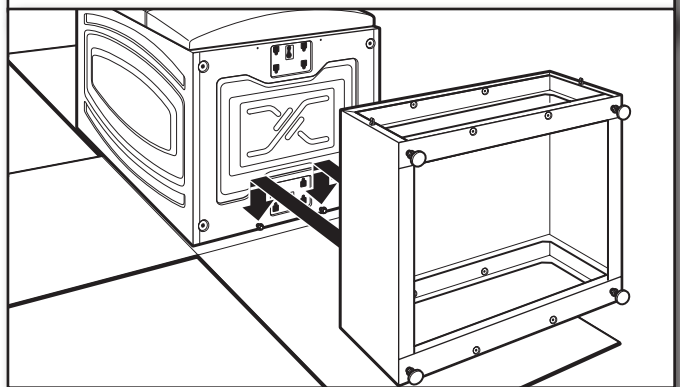
NOTE : Si des pieds sont installés sur l'appareil, les enlever. Ne pas installer les pieds livrés avec une laveuse ou une sècheuse neuve.

2. Préparer l'ensemble de laveuse/sècheuse



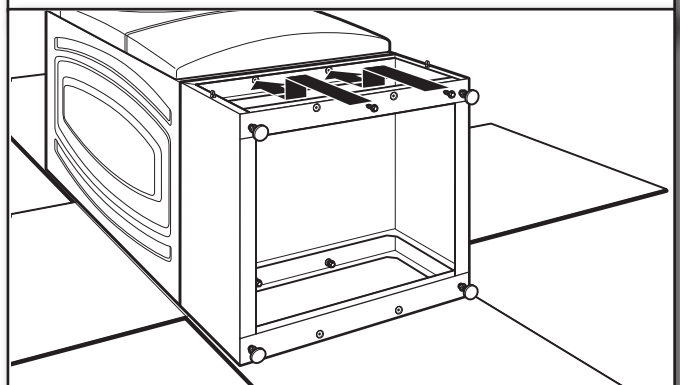
Insérer partiellement les deux vis de tôle inférieures n° 12 x 5/8" et laisser un espace d'environ 5/8" (10 mm) entre la tête de vis et le fond de l'appareil.

3. Rapprocher le piédestal



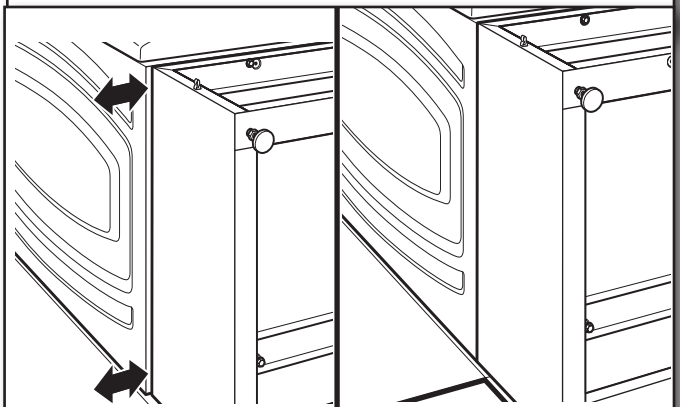
Placer le piédestal en contact avec la base de l'appareil. Engager les ouvertures en trou de serrure du piédestal sur les deux vis inférieures partiellement enfoncées.

4. Fixer le piédestal



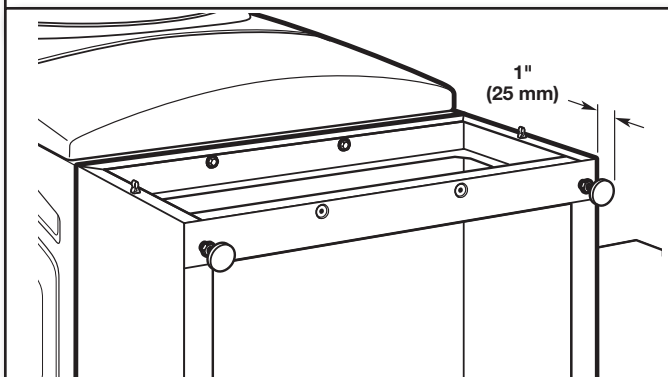
Positionner le piédestal vers l'avant de l'appareil et installer les deux autres vis de tôle hexagonales. Ne pas visser complètement.

5. Aligner les bords du piédestal



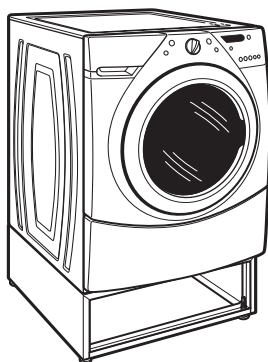
Aligner les bords du piédestal pour qu'ils soient en affleurement avec les bords de la laveuse/sècheuse. Bien serrer les quatre vis du piédestal (introduire le bras dans l'ouverture de passage du tiroir).

6. Préparer les pieds du piédestal



Le piédestal est fourni avec les pieds serrés contre la base de l'unité. À l'aide d'une clé à tête hexagonale de 1/4", ou d'une clé à molette, abaisser le pied d'environ 1" de la base du piédestal.

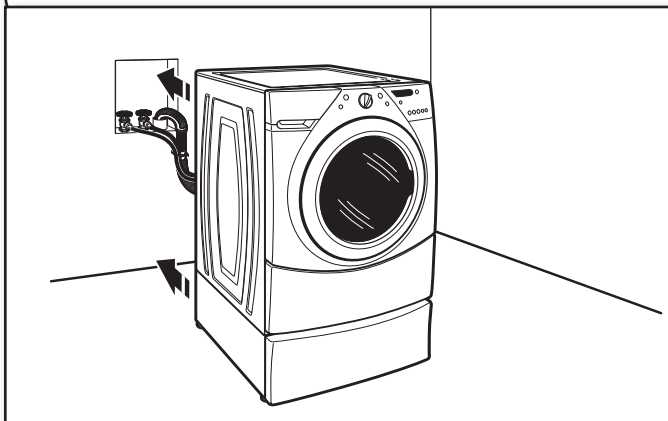
7. Relever verticalement la laveuse/sécheuse



Incliner et remettre debout l'ensemble de la laveuse et sécheuse. Enlever la feuille de carton de protection.

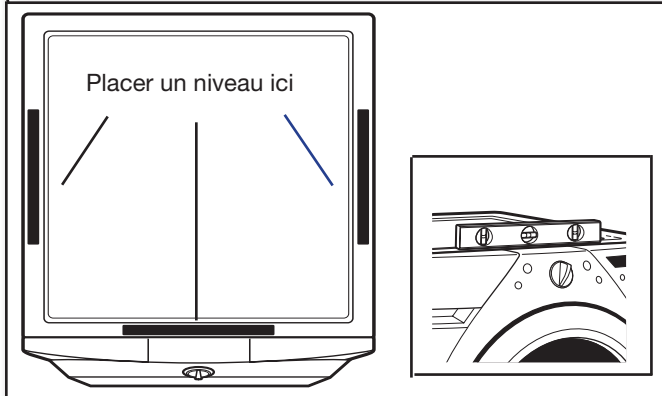
ACHEVER L'INSTALLATION

8. Placer près de l'emplacement final

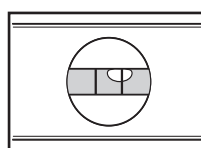


Exécuter les instructions d'installation fournies avec l'appareil pour terminer l'installation ou la réinstallation de la laveuse ou de la sécheuse (tuyaux d'eau, évents, etc.).

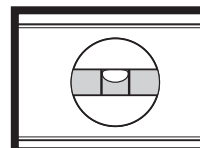
9. Vérifier l'aplomb de la laveuse/sécheuse



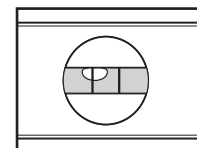
Placer un niveau aux bords supérieurs de la laveuse/sécheuse, en vérifiant chaque côté et le devant. Basculer l'appareil d'arrière en avant pour s'assurer que les quatre pieds du piédestal sont fermement en contact avec le sol.



Non d'aplomb



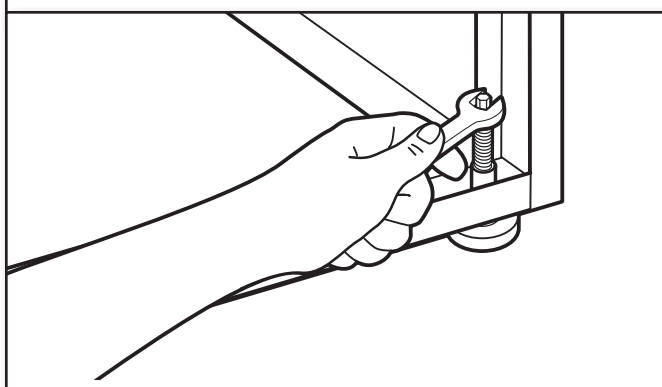
D'APLOMB



Non d'aplomb

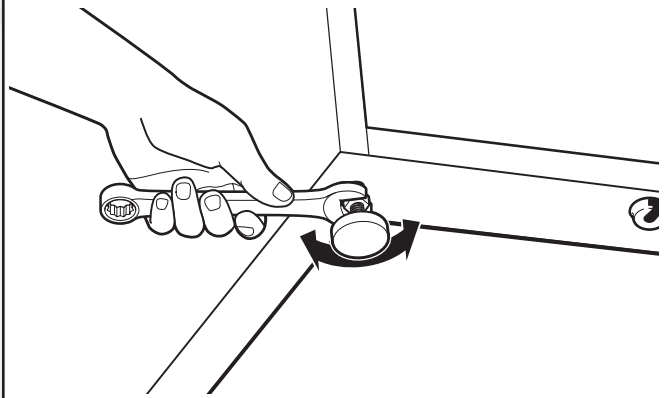
Si non d'aplomb, ajuster les pieds du piédestal vers le haut ou le bas en répétant au besoin.

10. Ajuster les pieds du piédestal



Identifier la section hexagonale de 1/4" au sommet de chaque pied du piédestal. Par l'intérieur du piédestal, visser les pieds vers le haut ou vers le bas avec une clé à cliquet ou une clé plate de 1/4" selon le besoin pour établir un bon aplomb de la laveuse ou de la sécheuse.

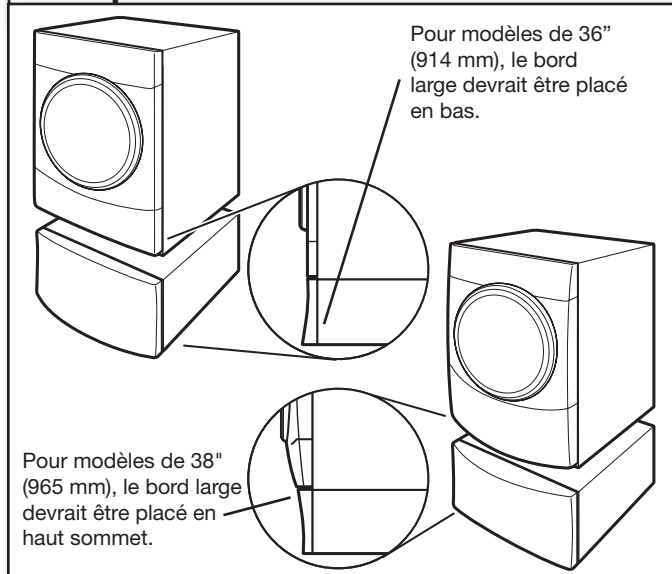
11. Serrer les écrous de blocage



Lorsque la laveuse/sécheuse est d'aplomb, utiliser une clé plate de 9/16" pour fixer les quatre écrous de blocage contre le piédestal.

IMPORTANT: Les écrous de blocage doivent être serrés pour empêcher les vibrations.

12. Installer le panneau avant du piédestal



Aligner le panneau avant avec le piédestal et exécuter l'emboîtement.

NOTE : Suivre les instructions d'installation de la trousse d'étalage en magasin si vous désirez utiliser les deux attaches de retenue incluses dans le sachet de pièces. Jeter au rebut les attaches de retenue si elles ne sont pas utilisées.

GARANTIE DU PIÉDESTAL WHIRLPOOL CORPORATION

GARANTIE LIMITÉE DE UN AN

Pendant un an à compter de la date d'achat, lorsque cet appareil ménager est utilisé et entretenu conformément aux instructions jointes à ou fournies avec le produit et utilisé avec la laveuse ou sècheuse à chargement frontal Whirlpool Corporation appropriée, Whirlpool ou Whirlpool Canada (ci-après désignées "Whirlpool") paiera pour les pièces de rechange spécifiées par l'usine et la main-d'œuvre pour corriger les vices de matériaux ou de fabrication. Le service doit être fourni par une compagnie de service désignée par Whirlpool.

WHIRLPOOL NE PRENDRA PAS EN CHARGE

1. Les visites de service pour rectifier l'installation de l'appareil, montrer à l'utilisateur comment utiliser l'appareil, remplacer ou réparer des fusibles ou rectifier le câblage ou la plomberie du domicile.
2. Les réparations lorsque l'appareil est utilisé à des fins autres que l'usage unifamilial normal.
3. Les dommages imputables à : accident, modification, usage impropre ou abusif, incendie, inondation, actes de Dieu, installation fautive ou installation non conforme aux codes d'électricité ou de plomberie, ou l'utilisation de produits non approuvés par Whirlpool.
4. Le coût des pièces de rechange et de la main-d'œuvre pour les appareils utilisés hors des États-Unis ou du Canada.
5. Le ramassage et la livraison. Cet appareil est conçu pour être réparé à domicile.
6. Les réparations aux pièces ou systèmes résultant d'une modification non autorisée faite à l'appareil.
7. Les frais de voyage et de transport pour le service d'un produit dans les régions éloignées.
8. La dépose et la réinstallation de votre appareil si celui-ci est installé dans un endroit inaccessible ou n'est pas installé conformément aux instructions d'installation fournies.

CLAUSE D'EXONÉRATION DE RESPONSABILITÉ AU TITRE DES GARANTIES IMPLICITES; LIMITATION DES RECOURS

LE SEUL ET EXCLUSIF RECOURS DU CLIENT DANS LE CADRE DE LA PRÉSENTE GARANTIE LIMITÉE CONSISTE EN LA RÉPARATION PRÉVUE CI-DESSUS. LES GARANTIES IMPLICITES, Y COMPRIS LES GARANTIES APPLICABLES DE QUALITÉ MARCHANDE ET D'APTITUDE À UN USAGE PARTICULIER, SONT LIMITÉES À UN AN OU À LA PLUS COURTE PÉRIODE AUTORISÉE PAR LA LOI. WHIRLPOOL N'ASSUME AUCUNE RESPONSABILITÉ POUR LES DOMMAGES FORTUITS OU INDIRECTS. CERTAINES JURIDICTIONS NE PERMETTENT PAS L'EXCLUSION OU LA LIMITATION DES DOMMAGES FORTUITS OU INDIRECTS, OU LES LIMITATIONS DE LA DURÉE DES GARANTIES IMPLICITES DE QUALITÉ MARCHANDE OU D'APTITUDE À UN USAGE PARTICULIER, DE SORTE QUE CES EXCLUSIONS OU LIMITATIONS PEUVENT NE PAS S'APPLIQUER DANS VOTRE CAS. CETTE GARANTIE VOUS CONFÈRE DES DROITS JURIDIQUES SPÉCIFIQUES ET VOUS POUVEZ ÉGALEMENT JOUIR D'AUTRES DROITS QUI PEUVENT VARIER D'UNE JURIDICTION À UNE AUTRE.

À l'extérieur du Canada et des 50 États des États-Unis, cette garantie ne s'applique pas. Contacter votre marchand Whirlpool autorisé pour déterminer si une autre garantie s'applique. Pour le service, composer le **1-888-664-5303**. 1/09

Conservez ce manuel et votre reçu de vente ensemble pour référence ultérieure. Pour le service sous garantie, vous devez présenter un document prouvant la date d'achat ou d'installation.

Inscrivez les renseignements suivants au sujet de votre gros appareil ménager pour mieux vous aider à obtenir assistance ou service en cas de besoin. Vous devrez connaître le numéro de modèle et le numéro de série au complet. Vous trouverez ces renseignements sur la plaque signalétique située sur le produit.

Nom du marchand _____

Adresse _____

Numéro de téléphone _____

Numéro de modèle _____

Numéro de série _____

Date d'achat _____

GARANTIE DES APPAREILS DE BUANDERIE

Avant de faire un appel de service

Si cet appareil de buanderie a été acheté chez Sears, la “Garantie des appareils de buanderie Kenmore®” s’applique (voir les dispositions qui suivent).

Si cet appareil de buanderie a été acheté ailleurs, la “Garantie des appareils de buanderie Whirlpool Corporation” s’applique (voir les dispositions qui suivent). Veuillez avoir votre reçu de vente à disposition lorsque vous appelez Whirlpool Corporation pour un service dans le cadre de la “Garantie des appareils de buanderie Whirlpool Corporation”.

GARANTIE DES APPAREILS DE BUANDERIE KENMORE

GARANTIE LIMITÉE DE UN AN

Lorsqu’il est installé, utilisé et entretenu conformément à toutes les instructions fournies avec le produit, si cet appareil de buanderie fait défaut par suite d’un vice de matériau ou de fabrication au cours de l’année qui suit la date d’achat, composer le 1-800-4-MY-HOME pour obtenir une réparation gratuite. Si l’appareil de buanderie fonctionne à toute autre fin que l’utilisation familiale privée, la présente garantie ne s’appliquera que pendant 90 jours à partir de la date d’achat.

LA PRÉSENTE GARANTIE COUVRE UNIQUEMENT LES VICES DE MATÉRIAUX ET DE FABRICATION. SEARS NE PRENDRA PAS EN CHARGE :

1. Les pièces courantes qui peuvent s’user suite à une utilisation normale, notamment les filtres, courroies, ampoules et sacs.
2. L’intervention d’un technicien pour montrer à l’utilisateur comment installer, utiliser et entretenir correctement le produit.
3. L’intervention d’un technicien pour nettoyer ou entretenir ce produit.
4. L’endommagement ou les défauts du produit si celui-ci n’est pas installé, utilisé ou entretenu conformément à toutes les instructions fournies avec le produit.
5. L’endommagement ou les défauts du produit résultant d’accident, usage impropre ou abusif ou utilisation autre que pour laquelle il est destiné.
6. L’endommagement ou les défauts du produit causés par l’utilisation de détergents, agents de nettoyage, produits chimiques ou ustensiles autres que ceux recommandés dans toutes les instructions fournies avec le produit.
7. L’endommagement ou les défauts des pièces ou systèmes résultant d’une modification non autorisée faite au produit.

CLAUSE D’EXONÉRATION DE RESPONSABILITÉ AU TITRE DES GARANTIES IMPLICITES; LIMITATION DES RECOURS

Le seul et exclusif recours du client dans le cadre de la présente garantie limitée consiste en la réparation prévue ci-dessus. Les garanties implicites, y compris les garanties applicables de qualité marchande et d’aptitude à un usage particulier, sont limitées à un an ou à la plus courte période autorisée par la loi. Sears n’assume aucune responsabilité pour les dommages fortuits ou indirects. Certains États ou certaines provinces ne permettent pas l’exclusion ou la limitation des dommages fortuits ou indirects, ou la limitation de la durée des garanties implicites de qualité marchande ou d’aptitude à un usage particulier, de sorte que cette exclusion ou limitation peut ne pas être applicable dans votre cas.

Cette garantie s’applique seulement lorsque cet appareil de buanderie est utilisé aux États-Unis et au Canada.

Cette garantie vous confère des droits juridiques spécifiques et vous pouvez également jouir d’autres droits qui peuvent varier d’un État à l’autre.

**Sears, Roebuck and Co.
Hoffman Estates, IL 60179
Sears Canada Inc.
Toronto, Ontario, Canada M5B 2B8**

ENREGISTREMENT DU PRODUIT

Dans l’espace ci-dessous, inscrire les numéros de modèle et de série complets et la date d’achat. Vous trouverez ces renseignements sur la plaque signalétique située sur le produit.

Gardez ces renseignements à disposition pour obtenir plus rapidement assistance ou service lorsque vous communiquez avec Sears au sujet de votre appareil de buanderie.

Numéro de modèle _____

Numéro de série _____

Date d’achat _____

Conservez ces instructions et votre reçu de vente pour référence ultérieure.

W10043500B

©2009

Whirlpool Corporation.

All rights reserved.

Tous droits réservés

KENMORE, KENMORE ELITE, are trademarks of Sears, Roebuck and Co.

WHIRLPOOL, is a trademark of Whirlpool, U.S.A.

KENMORE, KENMORE ELITE, sont des marques de commerce de
Sears, Roebuck and Co.

WHIRLPOOL, sont des marques de commerce de Whirlpool, U.S.A.

Printed in U.S.A.
Imprimé aux É-U.

01/2009