



GAS RANGE

Use & Care Guide

For questions about features, operation/performance, parts, accessories or service, call: **1-800-253-1301** or visit our website at...www.whirlpool.com

In Canada, call for assistance, installation or service, call: **1-800-807-6777** or visit our website at...www.whirlpool.ca

CUISINIÈRE À GAZ

Guide d'utilisation et d'entretien

Au Canada, pour assistance, installation ou service, composez le **1-800-807-6777**

ou visitez notre site web à www.whirlpool.ca

Table of Contents/Table des matières 2

To the installer: Please leave this instruction book with the range.
To the consumer: Please read and keep this book for future reference.

Pour l'installateur : laisser ce manuel d'instructions avec l'appareil.
Pour le consommateur : lire ce manuel et le conserver pour consultation ultérieure.

TABLE OF CONTENTS

RANGE SAFETY	3
The Anti-Tip Bracket	4
PARTS AND FEATURES	5
COOKTOP USE	6
Cooktop Controls	6
Power Failure	6
Cooktop Lockout	6
Sealed Surface Burners	7
Home Canning	7
Cookware	7
ELECTRONIC OVEN CONTROLS	8
Display	8
Start	8
Off/Cancel	8
Clock	8
Range Lights	9
Tones	9
Fahrenheit and Celsius	9
Timer	9
Control Lockout	9
Oven Temperature Control	10
OVEN USE	10
Aluminum Foil	10
Positioning Racks and Bakeware	10
Split Oven Rack	11
Bakeware	11
Meat Thermometer	12
Oven Vent	12
Baking and Roasting	12
Broiling	12
Hold Warm Feature	13
Timed Cooking	14
RANGE CARE	15
Self-Cleaning Cycle	15
General Cleaning	16
Oven Light	17
Oven Door	17
Storage Drawer	18
TROUBLESHOOTING	18
ASSISTANCE OR SERVICE	20
In the U.S.A.	20
Accessories	20
In Canada	20
Accessories	20
WARRANTY	21

TABLE DES MATIÈRES

SÉCURITÉ DE LA CUISINIÈRE	23
La bride antibasculement	24
PIÈCES ET CARACTÉRISTIQUES	25
UTILISATION DE LA TABLE DE CUISSON	26
Commandes de la table de cuisson	26
Panne de courant	26
Verrouillage de la table de cuisson	27
Brûleurs de surface scellés	27
Préparation de conserves à la maison	28
Ustensiles de cuisson	28
COMMANDES ÉLECTRONIQUES DU FOUR	29
Affichage	29
Mise en marche	29
Arrêt/annulation	29
Horloge	29
Lampes de la cuisinière	30
Signaux sonores	30
Fahrenheit et Celsius	30
Minuterie	30
Verrouillage des commandes	31
Commande de la température du four	31
UTILISATION DU FOUR	31
Papier d'aluminium	31
Positionnement des grilles et des ustensiles de cuisson	32
Grille de four en deux pièces	32
Ustensiles de cuisson	33
Thermomètre à viande	33
Évent du four	33
Cuisson au four et rôtissage	33
Cuisson au gril	34
Caractéristique Hold Warm (garder au chaud)	35
Cuisson minutée	35
ENTRETIEN DE LA CUISINIÈRE	36
Programme d'autonettoyage	36
Nettoyage général	38
Lampe du four	39
Porte du four	39
Tiroir de remisage	40
DÉPANNAGE	41
ASSISTANCE OU SERVICE	43
Accessoires	43
GARANTIE	44



RANGE SAFETY

Your safety and the safety of others are very important.

We have provided many important safety messages in this manual and on your appliance. Always read and obey all safety messages.



This is the safety alert symbol.

This symbol alerts you to potential hazards that can kill or hurt you and others.

All safety messages will follow the safety alert symbol and either the word "DANGER" or "WARNING."

These words mean:

⚠ DANGER

You can be killed or seriously injured if you don't immediately follow instructions.

⚠ WARNING

You can be killed or seriously injured if you don't follow instructions.

All safety messages will tell you what the potential hazard is, tell you how to reduce the chance of injury, and tell you what can happen if the instructions are not followed.

WARNING: If the information in this manual is not followed exactly, a fire or explosion may result causing property damage, personal injury or death.

- Do not store or use gasoline or other flammable vapors and liquids in the vicinity of this or any other appliance.
- **WHAT TO DO IF YOU SMELL GAS:**
 - Do not try to light any appliance.
 - Do not touch any electrical switch.
 - Do not use any phone in your building.
 - Immediately call your gas supplier from a neighbor's phone. Follow the gas supplier's instructions.
 - If you cannot reach your gas supplier, call the fire department.
- Installation and service must be performed by a qualified installer, service agency or the gas supplier.

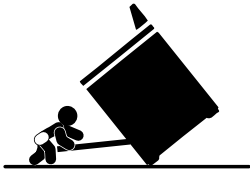
The California Safe Drinking Water and Toxic Enforcement Act requires the Governor of California to publish a list of substances known to the State of California to cause cancer, birth defects, or other reproductive harm, and requires businesses to warn of potential exposure to such substances.

WARNING: This product contains a chemical known to the State of California to cause cancer, birth defects, or other reproductive harm.

This appliance can cause low-level exposure to some of the substances listed, including benzene, formaldehyde, carbon monoxide, toluene, and soot.

The Anti-Tip Bracket

The range will not tip during normal use. However, the range can tip if you apply too much force or weight to the open door without the anti-tip bracket fastened down properly.



⚠ WARNING

Tip Over Hazard

A child or adult can tip the range and be killed.

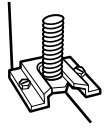
Connect anti-tip bracket to rear range foot.

Reconnect the anti-tip bracket, if the range is moved.

See the installation instructions for details.

Failure to follow these instructions can result in death or serious burns to children and adults.

Anti-Tip Bracket



Range Foot

Making sure the anti-tip bracket is installed:

- **Slide range forward.**
- **Look for the anti-tip bracket securely attached to floor.**
- **Slide range back so rear range foot is under anti-tip bracket.**

IMPORTANT SAFETY INSTRUCTIONS

WARNING: To reduce the risk of fire, electrical shock, injury to persons, or damage when using the range, follow basic precautions, including the following:

- **WARNING:** TO REDUCE THE RISK OF TIPPING OF THE RANGE, THE RANGE MUST BE SECURED BY PROPERLY INSTALLED ANTI-TIP DEVICES. TO CHECK IF THE DEVICES ARE INSTALLED PROPERLY, SLIDE RANGE FORWARD, LOOK FOR ANTI-TIP BRACKET SECURELY ATTACHED TO FLOOR, AND SLIDE RANGE BACK SO REAR RANGE FOOT IS UNDER ANTI-TIP BRACKET.
- **WARNING:** NEVER use this appliance as a space heater to heat or warm the room. Doing so may result in carbon monoxide poisoning and overheating of the oven.
- **WARNING:** NEVER cover any slots, holes or passages in the oven bottom or cover an entire rack with materials such as aluminum foil. Doing so blocks air flow through the oven and may cause carbon monoxide poisoning. Aluminum foil linings may also trap heat, causing a fire hazard.
- **CAUTION:** Do not store items of interest to children in cabinets above a range or on the backguard of a range – children climbing on the range to reach items could be seriously injured.
- **Proper Installation –** The range, when installed, must be electrically grounded in accordance with local codes or, in the absence of local codes, with the *National Electrical Code, ANSI/NFPA 70*. In Canada, the range must be electrically grounded in accordance with Canadian Electrical Code. Be sure the range is properly installed and grounded by a qualified technician.

- This range is equipped with a three-prong grounding plug for your protection against shock hazard and should be plugged directly into a properly grounded receptacle. Do not cut or remove the grounding prong from this plug.
- Disconnect power before servicing.
- Injuries may result from the misuse of appliance doors or drawers such as stepping, leaning, or sitting on the doors or drawers.
- Maintenance – Keep range area clear and free from combustible materials, gasoline, and other flammable vapors and liquids.
- Storage in or on the Range – Flammable materials should not be stored in an oven or near surface units.
- Top burner flame size should be adjusted so it does not extend beyond the edge of the cooking utensil.

For self-cleaning ranges –

- Before Self-Cleaning the Oven – Remove broiler pan and other utensils. Wipe off all excessive spillage before initiating the cleaning cycle.

SAVE THESE INSTRUCTIONS

PARTS AND FEATURES

This manual covers several different models. The range you have purchased may have some or all of the parts and features listed. The locations and appearances of the features shown here may not match those of your model.

Control Panel



A. Left rear burner control

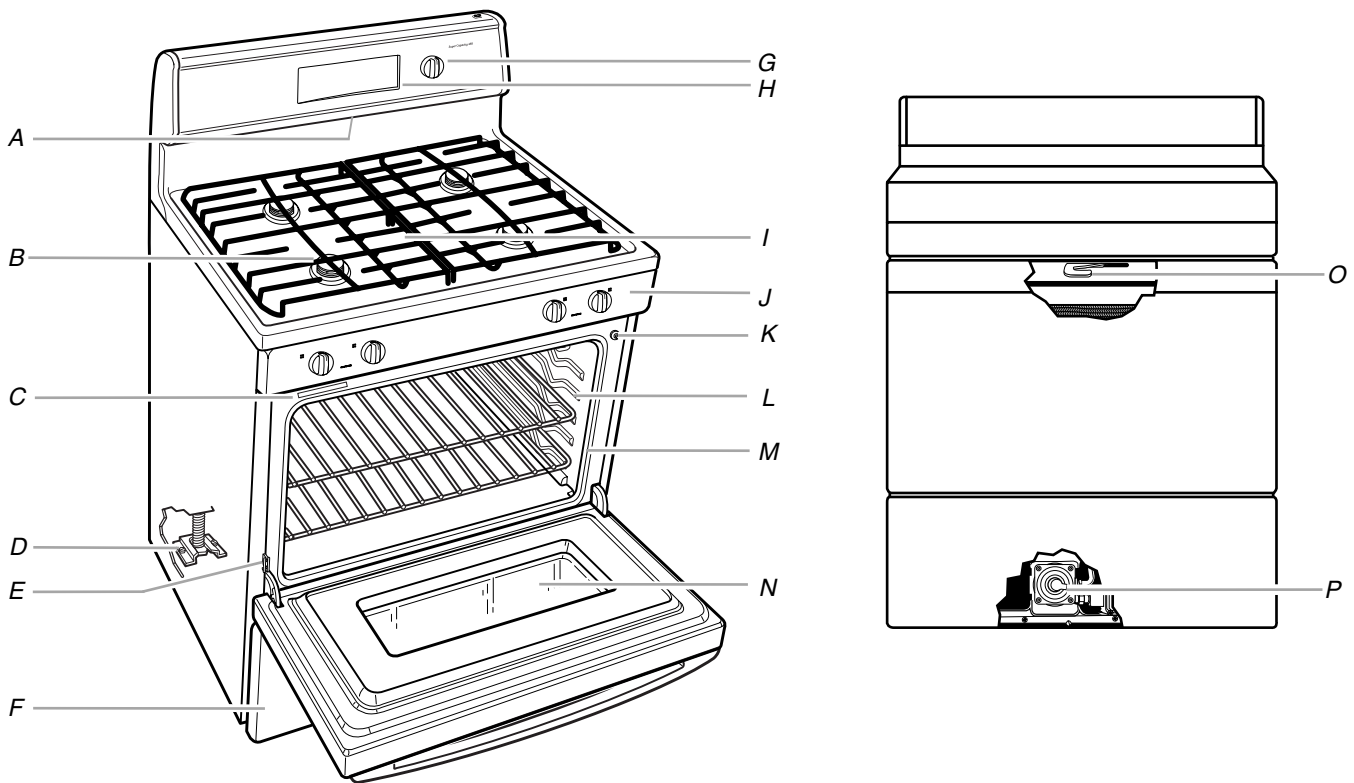
B. Left front burner control
(Power™ burner on some models)

C. Right front burner control

D. Right rear burner control
(ACCUSIMMER® burner on some models)

E. Surface burner locator

Range



A. Oven vent

B. Surface cooking area

C. Model/serial rating plate

D. Anti-tip bracket

E. Oven door hinge

F. Storage drawer (warming drawer on some models)

G. Warming drawer control (on some models)

H. Electronic oven control

I. Center grate (on some models)

J. Surface burner control

K. Automatic oven light switch

L. Oven rack

M. Gasket

N. Oven door window

O. Self-clean latch

P. Gas regulator

Parts and Features not shown

Oven light

Broiler pan and grid (on some models)

Roasting rack (on some models)

Storage drawer liner (on some models)

COOKTOP USE

Cooktop Controls

⚠ WARNING



Fire Hazard

Do not let the burner flame extend beyond the edge of the pan.

Turn off all controls when not cooking.

Failure to follow these instructions can result in death or fire.

Electric igniters automatically light the surface burners when control knobs are turned to IGNITE.

Before setting a control knob, place filled cookware on the grate. Do not operate a burner using empty cookware or without cookware on the grate.

To Set:

1. Push in and turn knob counterclockwise to IGNITE.
All 4 surface burners will click. Only the burner with the control knob turned to IGNITE will produce a flame.
2. Turn knob to anywhere between HIGH and LOW. Use the following chart as a guide when setting heat levels.

SETTING	RECOMMENDED USE
IGNITE	■ Light the burner.
HIGH	■ Start food cooking. ■ Bring liquid to a boil.
Between HIGH and LOW	■ Hold a rapid boil. ■ Quickly brown or sear food. ■ Fry or sauté foods. ■ Cook soups, sauces and gravies. ■ Stew or steam foods.
LOW	■ Keep food warm. ■ Simmer.

REMEMBER: When range is in use or (on some models) during the Self-Cleaning cycle, the entire cooktop area may become hot.

NOTE: On some models, the cooktop will not operate when the range is in a self-cleaning mode.

To Clean:

IMPORTANT: Before cleaning, make sure all controls are off and the oven and cooktop are cool. Do not use oven cleaners, bleach or rust removers.

Power™ Burner (on some models)

The right front burner or both front burners (on some models) are designed to give ultra-high power when fully on. They can be used to rapidly bring liquid to a boil and to cook large quantities of food.

ACCUSIMMER® Burner (on some models)

The right rear burner has an adjustable heat setting for more precise simmering and low temperature cooking.

Power Failure

Ranges With Cooktop Lockout

IMPORTANT: The cooktop will automatically be locked:

- When power is first supplied to the range.
- When power is restored after a power failure.
- When “PUSH”/“OFF” is blinking on the display.

To Clear the Automatic Cooktop Lockout

1. Press OFF/CANCEL.
2. Set the clock.

Ranges Without Cooktop Lockout

In case of prolonged power failure, the surface burners can be lit manually. Hold a lit match near a burner and turn knob counterclockwise to IGNITE. After burner lights, turn knob to setting.

Cooktop Lockout

(on some models)



Night light/Cooktop lockout keypad



Cooktop lockout icon

The Cooktop Lockout helps to avoid unintended use of the surface burners. If a control knob is turned to Ignite when the Cooktop Lockout is on, you will hear clicking and you may see the igniter sparking, but the burner will not light.

To Lock the Cooktop:

1. Turn all surface burners to the OFF position.
2. Press and hold the NIGHT LIGHT/COOKTOP LOCKOUT keypad for 3 seconds.

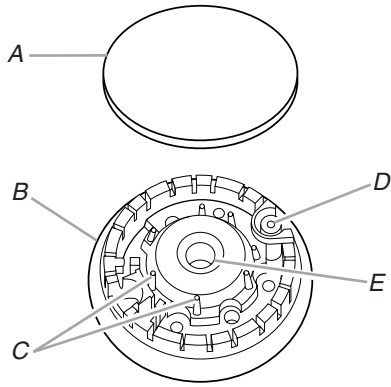
A single tone will sound. “Loc,” “LOCKED,” and the cooktop icon will appear in the display.

To Unlock the Cooktop:

1. Turn all surface burners to the OFF position.
2. Press and hold the NIGHT LIGHT/COOKTOP LOCKOUT keypad for 3 seconds.

A single tone will sound. “Loc OFF” will be displayed for 3 seconds. “LOCKED” and the cooktop icon will disappear from the display.

Sealed Surface Burners

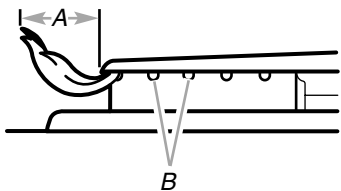


- A. Burner cap
- B. Burner base
- C. Alignment pins
- D. Igniter
- E. Gas tube opening

IMPORTANT: Do not obstruct the flow of combustion and ventilation air around the burner grate edges.

Burner cap: Always keep the burner cap in place when using a surface burner. A clean burner cap will help avoid poor ignition and uneven flames. Always clean the burner cap after a spillover and routinely remove and clean the caps according to the “General Cleaning” section.

Gas tube opening: Gas must flow freely throughout the gas tube opening for the burner to light properly. Keep this area free of soil and do not allow spills, food, cleaning agents or any other material to enter the gas tube opening. Protect it from spillovers by always using a burner cap.



- A. 1-1½" (25-38 mm)
- B. Burner ports

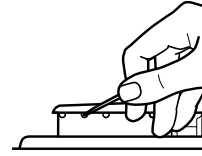
Burner ports: Check burner flames occasionally for proper size and shape as shown above. A good flame is blue in color, not yellow. Keep this area free of soil and do not allow spills, food, cleaning agents or any other material to enter the burner ports.

To Clean:

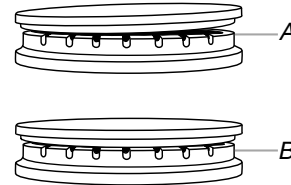
IMPORTANT: Before cleaning, make sure all controls are off and the oven and cooktop are cool. Do not use oven cleaners, bleach or rust removers.

1. Remove the burner cap from the burner base and clean according to “General Cleaning” section.
2. Clean the gas tube opening with a damp cloth.

3. Clean clogged burner ports with a straight pin as shown. Do not enlarge or distort the port. Do not use a wooden toothpick. If the burner needs to be adjusted, contact a trained repair specialist.



4. Replace the burner cap, making sure the alignment pins are properly aligned with the burner cap.



- A. Incorrect
- B. Correct

5. Turn on the burner. If the burner does not light, check cap alignment. If the burner still does not light, do not service the sealed burner yourself. Contact a trained repair specialist.

Home Canning

When canning for long periods, alternate the use of surface burners between batches. This allows time for the most recently used areas to cool.

- Center the canner on the grate.
- Do not place canner on 2 surface burners at the same time.
- For more information, contact your local agricultural department. Companies that manufacture home canning products can also offer assistance.

Cookware

IMPORTANT: Do not leave empty cookware on a hot surface cooking area, element or surface burner.

Ideal cookware should have a flat bottom, straight sides and a well-fitting lid, and the material should be of medium-to-heavy thickness.

Rough finishes may scratch the cooktop or grates. Aluminum and copper may be used as a core or base in cookware. However, when used as a base they can leave permanent marks on the cooktop or grates.

Cookware material is a factor in how quickly and evenly heat is transferred, which affects cooking results. A nonstick finish has the same characteristics as its base material. For example, aluminum cookware with a nonstick finish will take on the properties of aluminum.

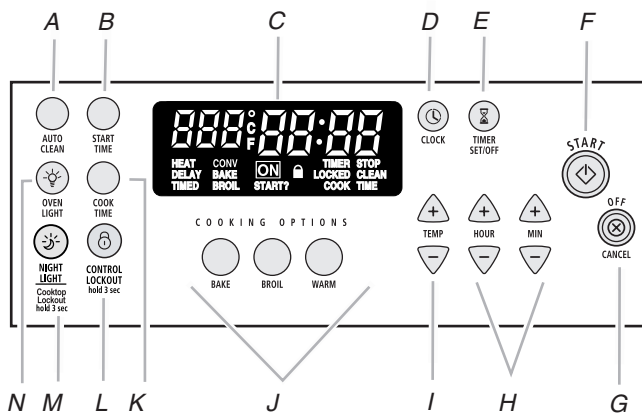
Cookware with nonstick surfaces should not be used under the broiler.

Use the following chart as a guide for cookware material characteristics.

COOKWARE	CHARACTERISTICS
Aluminum	<ul style="list-style-type: none"> Heats quickly and evenly. Suitable for all types of cooking. Medium or heavy thickness is best for most cooking tasks.
Cast iron	<ul style="list-style-type: none"> Heats slowly and evenly. Good for browning and frying. Maintains heat for slow cooking.
Ceramic or Ceramic glass	<ul style="list-style-type: none"> Follow manufacturer's instructions. Heats slowly, but unevenly. Ideal results on low to medium heat settings.
Copper	<ul style="list-style-type: none"> Heats very quickly and evenly.
Earthenware	<ul style="list-style-type: none"> Follow manufacturer's instructions. Use on low heat settings.
Porcelain enamel-on-steel or cast iron	<ul style="list-style-type: none"> See stainless steel or cast iron.
Stainless steel	<ul style="list-style-type: none"> Heats quickly, but unevenly. A core or base of aluminum or copper on stainless steel provides even heating.

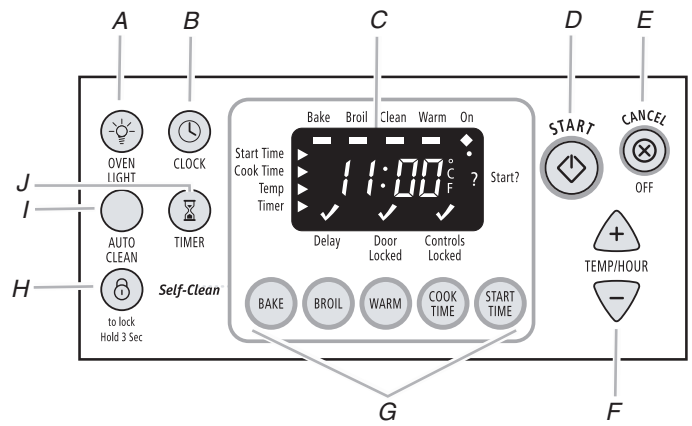
ELECTRONIC OVEN CONTROLS

Style 1 - Electronic Oven Controls (on some models)



- A. Auto clean
- B. Start time
- C. Oven display
- D. Clock
- E. Timer set/off
- F. Start
- G. Off/cancel
- H. Hour/minute
- I. Temperature
- J. Cooking functions
- K. Cook time
- L. Control lockout
- M. Night light/cooktop lockout
- N. Oven light

Style 2 - Electronic Oven Controls (on some models)



- A. Oven light
- B. Clock
- C. Display
- D. Start
- E. Cancel/off
- F. Temp/time
- G. Cooking functions
- H. Control lock
- I. Auto clean
- J. Timer

Display

When the oven is not in use, the display shows the time of day. When performing a timed cook function, the display will show either hours and minutes, or minutes and seconds.

Style 1 - Electronic Oven Control

When power is first supplied to the range, "PUSH"/"OFF" will flash in the display. Press OFF/CANCEL to unlock the cooktop lockout. A flashing time will then appear in the display. Press OFF/CANCEL to clear the flashing time, then set the clock.

Style 2 - Electronic Oven Control

When power is first supplied to the appliance, a flashing time will appear on the display. Press OFF/CANCEL to clear flashing time from the display.

If flashing time appears, a power failure has occurred. Press OFF/CANCEL and reset the clock if needed.

Start

The Start pad begins any oven function and the kitchen timer. If the Start pad is not pressed within 5 seconds after pressing a function pad, the "START?" or "PUSH?" indicator light will flash as a reminder. On some models, "START?" will appear on the display.

If the Start is not pressed within 1 minute after pressing a function pad, the oven display will return to the time of day mode and the programmed function will be canceled.

Off/Cancel

The Off/Cancel pad stops any function except the Clock, Timer and Control Lock.

Clock

On some models, this is a 12-hour clock that shows a.m. and p.m.

To Set:

Before setting, make sure the oven and Timer are off.

1. Press CLOCK.
2. Depending on your model, press the HR or MIN or TEMP/HOUR “up” or “down” arrow pads to set the time of day, including a.m. or p.m.
3. Press CLOCK or START.

The clock display can be turned off/on (on some models) by pushing and holding the Clock keypad for 5 seconds.

Range Lights



Oven light



Night light

Oven Light

While the oven door is closed, press OVEN LIGHT keypad to turn the light on or off. The oven light will come on when the oven door is opened. The oven light will not come on during the self-clean cycle.

Night Light (on some models)

Press the NIGHT LIGHT/COOKTOP LOCKOUT keypad to turn the night light on and off.

Tones

Tones are audible signals, indicating the following:

One tone

- Valid pad press
- Oven is preheated (long tone)
- Function has been entered
- Reminder, repeating each minute after the end-of-cycle tones

Three tones

- Invalid pad press

Four tones

- End of cycle

Style 1 - Electronic Oven Control

Reminder Tones: The audible tones at the end of a cook time or timer may be set to beep once (Off) or continue to beep once per minute (rEP On). Press and hold the TIMER SET/OFF keypad for 5 seconds to turn tones on or off. “Off” or “rEP On” will flash in the display.

Sound: All audible tones can be turned off. Press and hold the COOK TIME keypad for 5 seconds to turn tones on or off. “Off” or “Snd On” will flash in the display.

Volume: The tone volume can be set to “Lo” or “Hi.” Press and hold the START TIME keypad for 5 seconds to set the volume to high or low. “Lo” or “Snd HI” will flash in the display.

Style 2 - Electronic Oven Control

Reminder Tones: The audible tones at the end time may be set to beep once or continue to beep. Press and hold the TIMER keypad for 5 seconds to enter the Options mode. “Opt” will be displayed. Cycle through the options (“12hr” or “hr”), (“LOn” or “Loff”), to (“b” or “b1”) using the TEMP/HOUR keys. Choose on or off using the TIMER keypad. Press CANCEL to exit mode.

Fahrenheit and Celsius

The temperature is preset at Fahrenheit, but can be changed to Celsius on some models.

To Change: Press and hold BROIL for 5 seconds. A tone will sound, and “°C” will appear on the display. Repeat to change back to Fahrenheit. To exit mode, press OFF/CANCEL.

Timer

The Timer can be set in hours or minutes up to 12 hours and 59 minutes, and counts down the set time. The Timer does not start or stop the oven.

To Set:

1. Press TIMER SET or TIMER. The timer indicator light will light up on some models. If no action is taken after 1 minute, the display will return to the time of day mode.
2. Depending on your model, press the HR or MIN or TEMP/HOUR “up” or “down” arrow pads to set the length of time to cook.
3. Press START or TIMER SET. When the set time ends, end-of-cycle tones will sound, then, if enabled, reminder tones will sound every minute on some models.
4. Press TIMER OFF or TIMER twice anytime to cancel the Timer and reminder tones.

Remember, do not press the OFF/CANCEL pad because the oven will turn off.

To display the time of day for 5 seconds when the timer is counting down, press CLOCK.

Control Lockout

Control Lockout shuts down the control panel keypads to avoid unintended use of the oven. When the control is locked, only the CLOCK, OVEN LIGHT and TIMER keypads will function.

Style 1 - Electronic Oven Control



Control lockout



Control lockout icon

To Lock Controls:

1. Check that the oven is off and no delayed timed cooking is programmed.
2. Press and hold CONTROL LOCKOUT for 3 seconds.
A single tone will sound. “Loc,” “LOCKED,” and the control lockout icon will be displayed.

To Unlock Controls:

1. Press and hold CONTROL LOCKOUT for 3 seconds.
A single tone will sound. “Loc,” “LOCKED,” and the control lockout icon will disappear from the display.

Style 2 - Electronic Oven Control



Control lockout



Control lockout icon

To Lock Controls:

1. Check that the oven is off and no delayed timed cooking is programmed.
2. Press and hold CONTROL LOCKOUT for 3 seconds.
A single tone will sound. "Loc" and the control lockout icon will be displayed.

To Unlock Controls:

1. Press and hold CONTROL LOCKOUT for 3 seconds.
A single tone will sound. "Loc" and the control lockout icon will disappear from the display.

Oven Temperature Control

IMPORTANT: Do not use a thermometer to measure oven temperature because opening the oven door may cause burner cycling to give incorrect readings.

The oven provides accurate temperatures; however, it may cook faster or slower than your previous oven, so the temperature calibration can be adjusted. It can be changed in Fahrenheit or Celsius.

A minus sign means the oven will be cooler by the displayed amount. The absence of a minus sign means the oven will be warmer by the displayed amount. Use the following chart as a guide.

ADJUSTMENT °F (ADJUSTMENT °C)	COOKS FOOD
10°F (5°C)	...a little more
20°F (10°C)	...moderately more
30°F (15°C)	...much more
-10°F (-5°C)	...a little less
-20°F (-10°C)	...moderately less
-30°F (-15°C)	...much less

To Adjust Oven Temperature Calibration:

1. Press and hold BAKE for 5 seconds until the oven display shows the current calibration, for example "0°F CAL" or "00."
2. Press the TEMP or TEMP/HOUR "up" or "down" arrow pad(s) to increase or to decrease the temperature in 10°F (5°C) amounts. The adjustment can be set between 30°F (15°C) and -30°F (-15°C).
3. Press START.

OVEN USE

Odors and smoke are normal when the oven is used the first few times, or when it is heavily soiled.

IMPORTANT: The health of some birds is extremely sensitive to the fumes given off. Exposure to the fumes may result in death to certain birds. Always move birds to another closed and well-ventilated room.

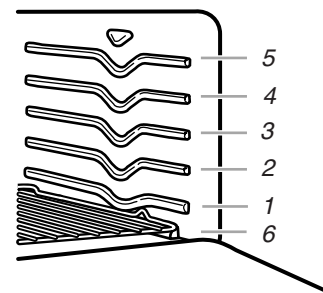
Aluminum Foil

IMPORTANT: To avoid permanent damage to the oven bottom finish, do not line the oven bottom with any type of foil, liners or cookware.

- On those models with bottom vents, do not block or cover the oven bottom vents.
- Do not cover entire rack with foil because air must be able to move freely for best cooking results.
- To catch spills, place foil on rack below dish. Make sure foil is at least ½" (1.3 cm) larger than the dish and that it is turned up at the edges.

Positioning Racks and Bakeware

IMPORTANT: To avoid permanent damage to the porcelain finish, do not place food or bakeware directly on the oven door or bottom.



RACKS

- Position racks before turning on the oven.
- Do not move racks with bakeware on them.
- Make sure racks are level.

To move a rack, pull it out to the stop position, raise the front edge, then lift out. Use the following illustration and chart as a guide.

FOOD	RACK POSITION
Frozen pies, large roasts, turkeys, angel food cakes	1 or 2
Bundt cakes, most quick breads, yeast breads, casseroles, meats	2
Cookies, biscuits, muffins, cakes, nonfrozen pies	2 or 3
Extra-large items	6

BAKEWARE

To cook food evenly, hot air must be able to circulate. Allow 2" (5 cm) of space around bakeware and oven walls. Use the following chart as a guide.

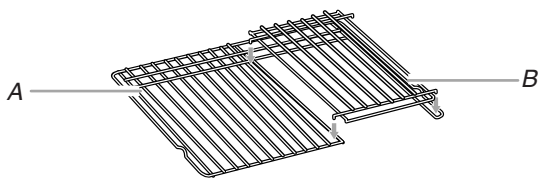
NUMBER OF PAN(S)	POSITION ON RACK
1	Center of rack.
2	Side by side or slightly staggered.
3 or 4	Opposite corners on each rack. Make sure that no bakeware piece is directly over another.

Split Oven Rack (on some models)

Split-Rack with Removable Insert

The split-rack with removable insert is a space maximizer. When the two are attached, they make a full rack. The insert can also be removed to provide room for large items such as a turkey and casseroles. Do not place more than 25 lbs (11.3 kg) on the split-rack.

The insert can also be used on the counter for a cooling rack.



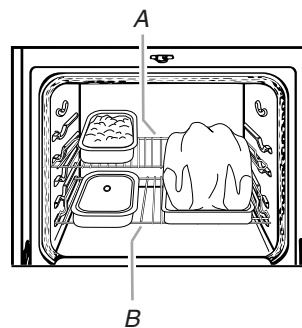
A. Split-rack
B. Removable insert

If you would like to purchase a split-oven rack, one may be ordered. See "Assistance or Service" section to order. Ask for Part Number 4396927.

To Use Racks:

1. Place a full rack on position 1 or 2, and the split-rack on position 3 or 4.
2. Place large items on the right side of the full rack.
3. Place deeper, covered dishes on the left side of the full rack.
4. Place shallow dishes on the split-rack.

5. When finished cooking, slowly remove items.



A. Rear rack section
B. Front rack section

Bakeware

The bakeware material affects cooking results. Follow manufacturer's recommendations and use the bakeware size recommended in the recipe. Use the following chart as a guide.

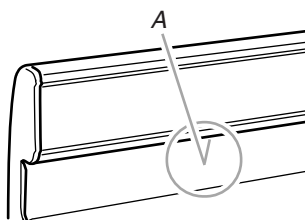
BAKEWARE/ RESULTS	RECOMMENDATIONS
Light colored aluminum <ul style="list-style-type: none"> ■ Light golden crusts ■ Even browning 	<ul style="list-style-type: none"> ■ Use temperature and time recommended in recipe.
Dark aluminum and other bakeware with dark, dull and/or nonstick finish <ul style="list-style-type: none"> ■ Brown, crisp crusts 	<ul style="list-style-type: none"> ■ May need to reduce baking temperatures 25°F (15°C). ■ Use suggested baking time. ■ For pies, breads and casseroles, use temperature recommended in recipe. ■ Place rack in center of oven.
Insulated cookie sheets or baking pans <ul style="list-style-type: none"> ■ Little or no bottom browning 	<ul style="list-style-type: none"> ■ Place in the bottom third of oven. ■ May need to increase baking time.
Stainless steel <ul style="list-style-type: none"> ■ Light, golden crusts ■ Uneven browning 	<ul style="list-style-type: none"> ■ May need to increase baking time.
Stoneware/Baking stone <ul style="list-style-type: none"> ■ Crisp crusts 	<ul style="list-style-type: none"> ■ Follow manufacturer's instructions.
Ovenproof glassware, ceramic glass or ceramic <ul style="list-style-type: none"> ■ Brown, crisp crusts 	<ul style="list-style-type: none"> ■ May need to reduce baking temperatures 25°F (15°C).

Meat Thermometer

On models without a temperature probe, use a meat thermometer to determine doneness of meat, poultry and fish. The internal temperature, not appearance, should be used to determine doneness. A meat thermometer is not supplied with this appliance.

- Insert the thermometer into the center of the thickest portion of the meat or inner thigh or breast of poultry. The tip of the thermometer should not touch fat, bone or gristle.
 - After reading the thermometer once, push it into the meat $\frac{1}{2}$ " (1.3 cm) more and read again. If the temperature drops, cook the meat or poultry longer.
 - Check all meat, poultry and fish in 2 or 3 different places.
-

Oven Vent



A. Oven vent

The oven vent releases hot air and moisture from the oven, and should not be blocked or covered. Blocking or covering the oven vent will cause poor air circulation, affecting cooking and cleaning results. Do not set plastics, paper or other items that could melt or burn near the oven vent.

Baking and Roasting

ACCUBAKE® Temperature Management (on some models)

The ACCUBAKE® system electronically regulates the oven heat levels during preheat and bake to maintain a precise temperature range for optimal cooking results. The bake and broil burners cycle on and off in intervals. This feature is automatically activated when the oven is in use.

Before baking and roasting, position racks according to the "Positioning Racks and Bakeware" section. When roasting, it is not necessary to wait for the oven preheat conditioning time to end before putting food in unless recommended in the recipe.

To Bake or Roast:

1. Press BAKE.
2. Press TEMP or TEMP/HOUR "up" or "down" arrow pad to set a temperature other than 350°F (175°C) in 5°F (3°C) amounts. The bake range can be set between 170°F and 500°F (75°C and 260°C).

When the oven temperature is greater than 170°F (77°C), no preheat conditioning time will be shown in the display. The preheat conditioning time will not change if the temperature is reset before the countdown time ends.

3. Press START. The temperature can be changed after this step. The start pad does not need to be pressed again.

If baking and roasting while the minute timer is counting down, the set temperature can be seen for 5 seconds by pressing BAKE.

4. Press OFF/CANCEL when finished.

Preheating

After the start pad is pressed, the oven will enter a timed preheat conditioning. "PrE" (on some models) and the countdown time will appear on the display. When the preheat conditioning time ends, a tone will sound and the selected temperature will appear on the display.

Preheat temperatures are affected by varying factors such as room temperature and peak energy usage times. It is normal for the temperature showing on the display and the actual oven temperature to differ due to the cycling of the burners.

Waiting an additional 10 minutes, after the preheat conditioning time ends, to put food in the oven is suggested when baking foods with leavening ingredients, such as yeast, baking powder, baking soda and eggs.

Broiling

Broiling uses direct radiant heat to cook food. Changing the temperature when Custom Broiling allows more precise control when cooking. The lower the temperature, the slower the cooking. Thicker cuts and unevenly shaped pieces of meat, fish and poultry may cook better at lower broiling temperatures.

- For best results, use a broiler pan and grid (provided on some models). They are designed to drain juices and help avoid spatter and smoke.

If you would like to purchase a broiler pan, one may be ordered. See "Assistance or Service" section to order. Ask for Part Number 4396923.

- For proper draining, do not cover the grid with foil. The bottom of the pan may be lined with aluminum foil for easier cleaning.
- Trim excess fat to reduce spattering. Slit the remaining fat on the edges to avoid curling.
- Pull out oven rack to stop position before turning or removing food. Use tongs to turn food to avoid the loss of juices. Very thin cuts of fish, poultry or meat may not need to be turned.
- After broiling, remove the pan from the oven when removing the food. Drippings will bake on the pan if left in the heated oven, making cleaning more difficult.

Before broiling, position rack according to the Broiling Chart. It is not necessary to preheat the oven before putting food in unless recommended in the recipe. Position food on grid in the broiler pan, then place it in the center of the oven rack. Close the door.

To Broil:

1. Press BROIL.
2. Press START.
3. Press OFF/CANCEL when finished.

To Custom Broil:

1. Press BROIL.
2. Press TEMP or TEMP/HOUR "up" or "down" arrow pad to change the temperature in 5°F (5°C) amounts. The broil range can be set between 300°F (150°C) and HI (525°F [275°C]).
3. Press START.
4. Press OFF/CANCEL when finished.

BROILING CHART

For best results, place food 3" (7 cm) or more from the broil burner. Times are guidelines only and may need to be adjusted for individual tastes. Recommended rack positions are numbered from the bottom (1) to the top (5). For diagram, see the "Positioning Racks and Bakeware" section.

FOOD	RACK POSITION	Approximate Time (minutes)	
		SIDE 1	SIDE 2
Steak 1" (2.5 cm) thick medium rare	4	14-15	7-8
medium	4	15-16	8-9
well-done	4	18-19	9-10
Ground meat patties* ¾" (2 cm) thick well-done	4	13-14	6-7
Pork chops 1" (2.5 cm) thick	4	21-22	10-11
Ham slice, precooked ½" (1.25 cm) thick	4	8-10	4-5
Frankfurters	4	6-7	3-4
Lamb chops 1" (2.5 cm) thick	4	15-17	8-9
Chicken bone-in pieces	3	18-20	18-20
boneless breasts	4	12-16	11-16
Fish Fillets ¼-½" (0.6-1.25 cm) thick	4	8-10	4-5
Fish Steaks ¾-1" (2-2.5 cm) thick	4	15-18	7-9

*Place up to 9 patties, equally spaced, on broiler grid.

Hold Warm Feature (on some models)

! WARNING

Food Poisoning Hazard

Do not let food sit in oven more than one hour before or after cooking.

Doing so can result in food poisoning or sickness.

IMPORTANT: Food must be at serving temperature before placing it in the warmed oven. Food may be held up to 1 hour; however, breads and casseroles may become too dry if left in the oven during Hold Warm.

The Hold Warm feature allows hot cooked foods to stay at serving temperature. It can also be used at the end of a timed cook.

Style 1 - Electronic Oven Control

To Use:

1. Press WARM.
2. Set the temperature (optional).
Press the TEMP "up" or "down" arrow pad to raise or lower the temperature in 5°F (5°C) amounts to set a temperature other than 170°F (75°C). The warm range is 170°F-200°F (75°C-93°C).
3. Press START.
4. Press OFF/CANCEL when finished.

To Add to the End of a Set Cook Time:

1. Press BAKE.
2. Set the temperature (optional).
Press the TEMP "up" or "down" arrow pad to set a temperature other than 350°F (177°C).
3. Press COOK TIME.
4. Press the HOUR/MIN "up" or "down" arrow pads to set cook time.
5. Press WARM.
A 1 hour warm time will automatically be set.
6. Set the warm temperature (optional).
Press the TEMP "up" or "down" arrow pad to raise or lower the temperature in 5°F (5°C) amounts to set a temperature other than 170°F (75°C). The warm range is 170°F-200°F (75°C-93°C).
7. Press START.
The display will show the cook time counting down. When cook time ends, the display will show a warming time.
When warming time ends, the oven will automatically shut off and "End" and COOK TIME will show on the display. Four tones will sound, and then four 1-second reminder tones will sound every minute thereafter.
8. Press OFF/CANCEL or open the oven door to stop reminder tones and remove "End" from display. The time of day will return to the display.

Style 2 - Electronic Oven Control

To Use:

1. Press WARM.
2. Temperature is set at 170° (75°C) for 60 minutes.
3. Press START.
4. Press OFF/CANCEL when finished.

⚠ WARNING

Food Poisoning Hazard

Do not let food sit in oven more than one hour before or after cooking.

Doing so can result in food poisoning or sickness.

Timed Cooking allows the oven to be set to turn on at a certain time of day, cook for a set length of time, and/or shut off automatically. Delay start should not be used for food such as breads and cakes because they may not bake properly.

Style 1 - Series Electronic Controls (see “Electronic Oven Controls” section)

To Set a Timed Cook:

1. Press BAKE (optional).
2. Press the TEMP “up” or “down” arrow pads to enter a temperature other than the one displayed.
3. Press COOK TIME.
4. Press the HOUR and MIN “up” or “down” arrow pads to enter the desired cooking time.
5. Press START. The display will count down the time.
When the time ends, the oven will shut off automatically and “End” will appear on the display. End-of-cycle tones will sound, then, if enabled, reminder tones will sound every minute.
6. Open and close the oven door to clear the display and/or stop reminder tones.

To Set a Delayed Timed Cook:

Before setting, make sure the clock is set to the correct time of day. See “Clock” section.

1. Press BAKE (optional).
2. Press the TEMP “up” or “down” arrow pads to enter a temperature other than the one displayed.
3. Press START TIME.
4. Press the HOUR and MIN “up” or “down” arrow pads to enter the desired start time.
5. Press COOK TIME.
6. Press the HOUR and MIN “up” or “down” arrow pads to enter the desired cooking time.
7. Press START. “DELAY,” “TIMED,” “BAKE,” and “ON” will appear on the display.

When the start time is reached, the oven will automatically turn on. The oven will automatically turn off after the programmed cook time. “End” will appear on the display, End-of-cycle tones will sound, and if enabled, reminder tones will sound every minute.

8. Open and close the oven door to clear the display and/or stop reminder tones.

Style 2 - Series Electronic Oven Control (see “Electronic Oven Controls” section)

To Set a Timed Cook:

1. Press BAKE. The bake indicator light will light up.
2. Set the temperature (optional).
3. Press the TEMP/HOUR “up” or “down” arrow pads to enter a temperature other than the one displayed.
4. Press COOK TIME. The cook time oven indicator light will light up.
5. Press TEMP/HOUR “up” or “down” arrow pads to enter the desired cooking time.
6. Press START/ENTER. The display will count down the time. When the time ends, the oven will shut off automatically and “End” will appear on the display.
7. Press OFF/CANCEL or open the oven door to clear the display.

To Set a Delayed Timed Cook:

Before setting, make sure the clock is set to the correct time of day. See “Clock” section.

1. Press BAKE. The bake indicator will light up.
2. Set the temperature (optional).
3. Press the TEMP/HOUR “up” or “down” arrow pads to enter a temperature other than the one displayed.
4. Press COOK TIME. The cook time oven indicator light will light up.
5. Press the TEMP/HOUR “up” or “down” arrow pads to enter the desired cooking time.
6. Press START TIME. The start time/delay oven indicator light will light up.
7. Press the TEMP/HOUR “up” or “down” arrow pads to enter the time of day to start.
8. Press START/ENTER.

When the start time is reached, the oven will automatically turn on. The temperature and/or time settings can be changed anytime after pressing START/ENTER by repeating steps 1-7. When the set cook time ends, the oven will shut off automatically and “End” will appear on the display.

9. Press OFF/CANCEL or open the oven door to clear the display.

RANGE CARE

Self-Cleaning Cycle (on some models)

⚠ WARNING



Burn Hazard

Do not touch the oven during the Self-Cleaning cycle.

Keep children away from oven during Self-Cleaning cycle.

Failure to follow these instructions can result in burns.

IMPORTANT: The health of some birds is extremely sensitive to the fumes given off during the Self-Cleaning cycle. Exposure to the fumes may result in death to certain birds. Always move birds to another closed and well-ventilated room.

Self-clean the oven before it becomes heavily soiled. Heavy soil results in longer cleaning and more smoke.

Keep the kitchen well-ventilated during the Self-Cleaning cycle to help get rid of heat, odors, and smoke.

Do not block the oven vent(s) during the Self-Cleaning cycle. Air must be able to move freely. Depending on your model, see "Oven Vent" or "Oven Vents" section.

Do not clean, rub, damage or move the oven door gasket. The door gasket is essential for a good seal.

Prepare Oven:

- Remove the broiler pan, grid, cookware and bakeware and, on some models, the temperature probe from the oven.
- Remove any foil from the oven because it may burn or melt, damaging the oven.
- Remove oven racks to keep them shiny and easy to slide. See "General Cleaning" section for more information.
- Hand clean inside door edge and the 1½" (3.8 cm) area around the inside oven cavity frame, being certain not to move or bend the gasket. This area does not get hot enough during self-cleaning to remove soil. Do not let water, cleaner, etc. enter slots on door frame. Use a damp cloth to clean this area.
- Wipe out any loose soil to reduce smoke and avoid damage. At high temperatures, foods react with porcelain. Staining, etching, pitting or faint white spots can result. This will not affect cooking performance.

How the Cycle Works

IMPORTANT: The heating and cooling of porcelain on steel in the oven may result in discoloring, loss of gloss, hairline cracks and popping sounds.

Before self-cleaning, check that the door is completely closed or the door will not lock and the self-clean cycle will not begin.

Do not wipe down any inside surfaces until the oven has completely cooled down. Applying a cool damp cloth to the inner door glass before it has cooled completely could result in the glass breaking.

To stop the self-clean cycle at any time, press the OFF/CANCEL keypad. If the temperature is too high, the oven door will remain locked and "cool" and "locked" will be displayed. The oven light will not work during the self-cleaning cycle.

Style 1 - Electric Oven Control

The AUTO-CLEAN cycle time is adjustable, from 2 hours 30 minutes and 4 hours 30 minutes in 15-minute increments. Suggested clean times are 2 hours 30 minutes for light soil and 4 hours 30 minutes for heavy soil. The last 30 minutes of the cycle is for cool down.

The oven will shut off automatically once it is clean. The door will not unlock until the oven cools.

Self-clean can only be run once in a 12-hour time period. If a self-clean cycle is canceled after the oven has reached temperature, you will have to wait 12 hours to restart.

To Self-Clean Using AUTO-CLEAN

1. Press AUTO CLEAN.
2. Press the HOUR and MIN "up" or "down" arrow pads to set the desired self-clean cycle time.
3. Press START.
The oven door will automatically lock. "CLn," "LOCKED," "ON," "CLEAN," the Cooktop Lockout icon, and the time remaining will be displayed.
4. When the self-clean cycle is complete "END" will be displayed, and "PUSH"/"OFF" will blink alternately.
5. Press OFF/CANCEL.
"LOCKED," "END," and the Cooktop Lockout icon will disappear from the display. "PUSH"/"OFF" will stop blinking, and clock will show the time of day.
6. Once the oven is completely cooled, remove ash with a damp cloth.

To Delay Start Self-Clean Using AUTO-CLEAN

1. Press AUTO-CLEAN.
2. Press the HOUR and MIN "up" and "down" arrow pads to set the desired self-clean cycle time.
3. Press START TIME.
4. Press the HOUR and MIN "up" and "down" arrow pads to set the desired start time.
5. Press START.
The oven door will automatically lock. "DELAY," "LOCKED," "CLEAN," "ON" and the Cooktop Lockout icon will be displayed.
6. When the self-clean cycle is complete "END" will be displayed and "PUSH"/"OFF" will blink alternately.
7. Press OFF/CANCEL.
"LOCKED," "END," and the Cooktop Lockout icon will disappear from the display. "PUSH"/"OFF" will stop blinking, and clock will show the time of day.
8. Once the oven is completely cooled, remove ash with a damp cloth.

Style 2 - Electric Oven Control

The AUTO-CLEAN cycle time is adjustable, from 2 hours 30 minutes to 4 hours 30 minutes in 15-minute increments. Suggested clean times are 2 hours 30 minutes for light soil and 4 hours 30 minutes for heavy soil. The last 30 minutes of the cycle is for cool down.

To Self-clean Using AUTO-CLEAN

1. Press AUTO CLEAN.
2. Press the TEMP/HOUR “up” or “down” arrow pad to set the desired self-clean cycle time.
3. Press START.

The oven door will automatically lock. The “DOOR LOCKED” and “CLEAN” indicator lights will be displayed. The time remaining will also be displayed.

4. When the self-clean cycle is complete and the oven cools, the “DOOR LOCKED” and “CLEAN” indicator lights will turn off.

5. Once the oven is completely cooled, remove ash with a damp cloth.

To Delay Start Self-Clean Using AUTO-CLEAN

1. Press AUTO-CLEAN.
2. Press the TEMP/HOUR “up” and “down” arrow pads to set the desired self-clean cycle time.
3. Press START TIME.
4. Press the TEMP/HOUR “up” and “down” arrow pads to set the desired start time.
5. Press START.

The oven door will automatically lock. “DOOR LOCKED” and “CLEAN” indicator lights will be displayed.

6. When the self-clean cycle is complete and the oven cools, the “DOOR LOCKED” and “CLEAN” indicator lights will turn off.
7. Once the oven is completely cooled, remove ash with a damp cloth.

General Cleaning

IMPORTANT: Before cleaning, make sure all controls are off and the oven and cooktop are cool. Always follow label instructions on cleaning products. Do not wipe down any of the inside surfaces until the oven has completely cooled down. Applying a cool damp cloth to the inner door glass before it has cooled completely could result in the glass breaking.

Soap, water and a soft cloth or sponge are suggested first unless otherwise noted.

EXTERIOR PORCELAIN ENAMEL SURFACES

(on some models)

Food spills containing acids, such as vinegar and tomato, should be cleaned as soon as the entire appliance is cool. These spills may affect the finish.

Cleaning Method:

- Glass cleaner, mild liquid cleaner or nonabrasive scrubbing pad:
Gently clean around the model and serial number plate because scrubbing may remove numbers.
- All-Purpose Appliance Cleaner Part Number 31662 (not included):
See “Assistance or Service” section to order.

STAINLESS STEEL (on some models)

To avoid damage to stainless steel surfaces, do not use soap-filled scouring pads, abrasive cleaners, Cooktop Polishing Creme, steel-wool pads, gritty washcloths or some paper towels.

Rub in direction of grain to avoid damaging.

Cleaning Method:

- Stainless Steel Cleaner & Polish Part Number 31462 (not included):
See “Assistance or Service” section to order.
- Liquid detergent or all-purpose cleaner:
Rinse with clean water and dry with soft, lint-free cloth.
- Vinegar for hard water spots.

METALLIC PAINT (on some models)

Do not use abrasive cleaners, cleaners with bleach, rust removers, ammonia or sodium hydroxide (lye) because paint surface may stain.

COOKTOP CONTROLS

Do not use steel wool, abrasive cleansers or oven cleaner.

Do not soak knobs. When replacing knobs, make sure knobs are in the Off position.

On some models, do not remove seals under knobs.

Cleaning Method:

- Soap and water or dishwasher:
Pull knobs straight away from control panel to remove.

CONTROL PANEL

Do not use abrasive cleaners, steel-wool pads, gritty washcloths or some paper towels. Damage may occur.

Cleaning Method:

- Glass cleaner and soft cloth or sponge:
Apply glass cleaner to soft cloth or sponge, not directly on panel.
- All-Purpose Appliance Cleaner Part Number 31662 (not included):
See “Assistance or Service” section to order.

PORCELAIN-COATED GRATES AND CAPS

Food spills containing acids, such as vinegar and tomato, should be cleaned as soon as the cooktop, grates and caps are cool. These spills may affect the finish.

To avoid chipping, do not bang grates and caps against each other or hard surfaces such as cast iron cookware.

Do not reassemble caps on burners while wet.

Do not clean in the Self-Cleaning cycle.

Cleaning Method:

- Nonabrasive plastic scrubbing pad and mildly abrasive cleanser:
Clean as soon as cooktop, grates and caps are cool.
- Dishwasher (grates only, not caps):
Use the most aggressive cycle. Cooked-on soils should be soaked or scrubbed before going into a dishwasher.
- Gas Grate and Drip Pan Cleaner Part Number 31617:
See “Assistance or Service” section to order.

SURFACE BURNERS

See “Sealed Surface Burners” section.

OVEN DOOR EXTERIOR

Cleaning Method:

- Glass cleaner and a soft cloth or sponge:
Apply glass cleaner to soft cloth or sponge, not directly on panel.
- All-Purpose Appliance Cleaner Part Number 31662 (not included):
See “Assistance or Service” section to order.

OVEN CAVITY

Do not use oven cleaners.

Food spills should be cleaned when oven cools. At high temperatures, foods react with porcelain and staining, etching, pitting or faint white spots can result.

Cleaning Method:

- Self-Cleaning cycle: See “Self-Cleaning Cycle” first.

OVEN RACKS AND ROASTING RACKS

Cleaning Method:

- Self-Cleaning cycle:
See “Self-Cleaning Cycle” first. Remove racks or they will discolor and become harder to slide. If this happens, a light coating of vegetable oil applied to the rack guides will help them slide.
- Steel-wool pad

BROILER PAN AND GRID (on some models)

Do not clean in the Self-Cleaning cycle.

Cleaning Method:

- Mildly abrasive cleanser:
Scrub with wet scouring pad.
- Solution of ½ cup (125 mL) ammonia to 1 gal. (3.75 L) water:
Soak for 20 minutes, then scrub with scouring or steel-wool pad.
- Oven cleaner:
Follow product label instructions.

Porcelain enamel only, not chrome

- Dishwasher

STORAGE DRAWER (on some models)

Make sure drawer is cool and empty before cleaning.
For more information, see “Storage Drawer” section.

Cleaning Method:

- Mild detergent

Drawer Liner (on some models)

Remove all stored items from drawer and lift out drawer liner.

- Clean with mild detergent.
- All-Purpose Appliance Cleaner Part Number 31662 (not included):
See “Assistance or Service” section to order.

WARMING DRAWER and TRAY (on some models)

Make sure drawer is cool and remove tray.

Cleaning Method:

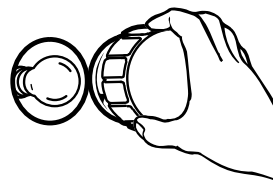
- Mild detergent (for both)
- All-Purpose Appliance Cleaner Part Number 31662 (not included):
See “Assistance or Service” section to order.

Oven Light

The oven light is a standard 40-watt appliance bulb. Before replacing, make sure the oven and cooktop are cool and the control knobs are in the off position.

To Replace:

1. Unplug range or disconnect power.
2. Turn the glass bulb cover in the back of the oven counterclockwise to remove.



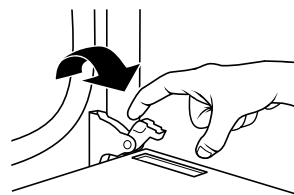
3. Turn bulb counterclockwise to remove from socket.
4. Replace bulb, then bulb cover by turning clockwise.
5. Plug in range or reconnect power.

Oven Door

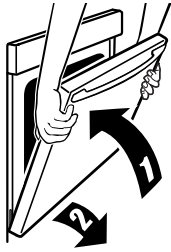
For normal range use, it is not suggested to remove the oven door. However, if removal is necessary, make sure the oven is off and cool. Then, follow these instructions. The oven door is heavy.

To Remove:

1. Open oven door all the way.
2. Flip up the hinge latch on each side.



3. Close the oven door as far as it will shut.
4. Lift the oven door while holding both sides.
Continue to push the oven door closed and pull it away from the oven door frame.



To Replace:

1. Insert both hanger arms into the door.



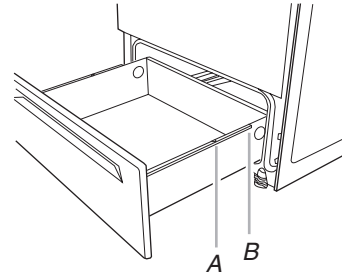
2. Open the oven door.
You should hear a “click” as the door is set into place.
3. Move the hinge levers back to the locked position. Check that the door is free to open and close. If it is not, repeat the removal and installation procedures.

Storage Drawer

The storage drawer can be removed. Before removing, make sure drawer is cool and empty.

To Remove:

1. Pull the storage drawer straight back past the drawer stop notch and the end of the side rails.

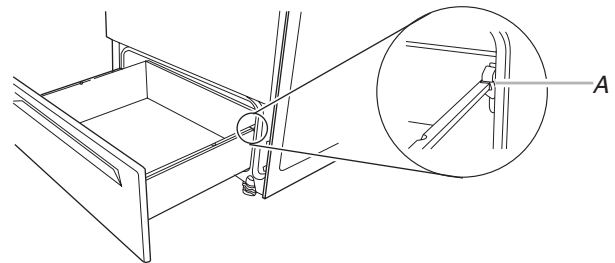


A. Drawer stop notch
B. End of side rail

2. Lift up the back of the drawer and pull the drawer out.

To Replace:

1. Lift up the back of the drawer and place it inside the range in its fully forward position.
2. Lift up the front of the drawer to a level position.
3. Slowly push the drawer into the range until the drawer side rails engage with the gap in the drawer glides.



A. Engage drawer glide.

4. Once the drawer is fully engaged on both sides, slide the drawer back into the closed position.

NOTE: When you are removing and replacing the storage drawer, a slight push may be needed to move the drawer stop notch past the drawer glides.

TROUBLESHOOTING

Try the solutions suggested here first in order to avoid the cost of an unnecessary service call.

Nothing will operate

- **Is the power supply cord unplugged?**
Plug into a grounded 3 prong outlet.
- **Household fuse blown or circuit breaker tripped?**
Replace the fuse or reset the circuit breaker. If the problem continues, call an electrician.
- **Is the main or regulator gas shutoff valve in the off position?**
See Installation Instructions.
- **Is the range properly connected to the gas supply?**
Contact a trained repair specialist or see Installation Instructions.

Surface burners will not operate

- **Is the “Cooktop Lockout” set?**
See “Cooktop Lockout” section.
- **Is the oven in self-clean?**
Surface burners will not operate during self-clean cycle.
- **Is a delayed self-clean set?**
Surface burners will not operate until the self-clean cycle is complete.
- **Is the control knob set correctly?**
Push in knob before turning to a setting.

- **Is this the first time the surface burners have been used?**
Turn on any one of the surface burner knobs to release air from the gas lines.
- **Are the burner ports clogged?**
See “Sealed Surface Burners” section.

Surface burner flames are uneven, yellow and/or noisy

- **Are the burner ports clogged?**
See “Sealed Surface Burners” section.
- **On models with caps, are the burner caps positioned properly?**
See “Sealed Surface Burners” section.
- **Is propane gas being used?**
The appliance may have been converted improperly. Contact a service technician or see “Assistance or Service” section.

Surface burner makes popping noises

- **Is the burner wet?**
Let it dry.

Excessive heat around cookware on cooktop

- **Is the cookware the proper size?**
Use cookware about the same size as the surface cooking area, element or surface burner. Cookware should not extend more than ½" (1.3 cm) outside the cooking area.

Cooktop cooking results not what expected

- **Is the proper cookware being used?**
See “Cookware” section.
- **Is the control knob set to the proper heat level?**
See “Cooktop Controls” section.
- **Is the appliance level?**
Level the appliance. See the Installation Instructions.

Oven will not operate

- **Is this the first time the oven has been used?**
Turn on any one of the surface burner knobs to release air from the gas lines.
- **Is the electronic oven control set correctly?**
See “Electronic Oven Control” section.
- **On some models, is the Control Lockout set?**
See “Control Lockout” section.

Oven burner flames are yellow or noisy

- **Is propane gas being used?**
The appliance may have been converted improperly. Contact a service technician or see “Assistance or Service” section.

Cooling fan runs during baking, broiling or cleaning

- It is normal for the fan to automatically run while the oven is in use to cool the electronic control.

Oven temperature too high or too low

- **Does the oven temperature calibration need adjustment?**
See “Oven Temperature Control” section.

Display shows messages

- **Is the display showing a flashing time?**
There has been a power failure. Clear the display. See “Display(s)” section. On some models, reset the clock, if needed. See “Clock” section.
- **Is the display showing a letter followed by a number?**
Depending on your model, press OFF/CANCEL, OFF or CANCEL/OFF to clear the display. See “Display(s)” section. If it reappears, call for service. See “Assistance or Service” section.
- **Is the display showing a flashing “PUSH?” or “START?”?**
See the “START” section in the “Electronic Oven Controls” section.

Self-Cleaning cycle will not operate

- **Is the oven door open?**
Close the oven door all the way.
- **Has the function been entered?**
See “Self-Cleaning Cycle” section.
- **On some models, has a delay start Self-Clean cycle been set?**
See “Self-Cleaning Cycle” section.
- **Has a delay start been set?**
See “Timed Cooking” section.
- **Has a self-clean cycle been run in the past 12 hours?**
If a self-clean cycle has been run, or canceled after the oven has reached temperature, you will have to wait 12 hours to restart.

Oven cooking results not what expected

- **Is the appliance level?**
Level the appliance. See the Installation Instructions.
- **Is the proper temperature set?**
Double-check the recipe in a reliable cookbook.
- **Is the proper oven temperature calibration set?**
See “Oven Temperature Control” section.
- **Was the oven preheated?**
See “Baking and Roasting” section.
- **Is the proper bakeware being used?**
See “Bakeware” section.
- **Are the racks positioned properly?**
See “Positioning Racks and Bakeware” section.
- **Is there proper air circulation around bakeware?**
See “Positioning Racks and Bakeware” section.
- **Is the batter evenly distributed in the pan?**
Check that batter is level in the pan.
- **Is the proper length of time being used?**
Adjust cooking time.
- **Has the oven door been opened while cooking?**
Oven peeking releases oven heat and can result in longer cooking times.
- **Are baked items too brown on the bottom?**
Move rack to higher position in the oven.
- **Are pie crust edges browning early?**
Use aluminum foil to cover the edge of the crust and/or reduce baking temperature.

ASSISTANCE OR SERVICE

Before calling for assistance or service, please check “Troubleshooting.” It may save you the cost of a service call. If you still need help, follow the instructions below.

When calling, please know the purchase date and the complete model and serial number of your appliance. This information will help us to better respond to your request.

If you need replacement parts

If you need to order replacement parts, we recommend that you use only FSP® replacement parts. FSP® replacement parts will fit right and work right because they are made with the same precision used to build every new WHIRLPOOL® appliance.

To locate FSP® replacement parts in your area, call us or your nearest Whirlpool designated service center.

In the U.S.A.

Call the Whirlpool Customer eXperience Center toll free: **1-800-253-1301**.

Our consultants provide assistance with:

- Features and specifications on our full line of appliances.
- Installation information.
- Use and maintenance procedures.
- Accessory and repair parts sales.
- Specialized customer assistance (Spanish speaking, hearing impaired, limited vision, etc.).
- Referrals to local dealers, repair parts distributors and service companies. Whirlpool designated service technicians are trained to fulfill the product warranty and provide after-warranty service, anywhere in the United States.

To locate the Whirlpool designated service company in your area, you can also look in your telephone directory Yellow Pages.

For further assistance

If you need further assistance, you can write to Whirlpool Corporation with any questions or concerns at:

Whirlpool Brand Home Appliances
Customer eXperience Center
553 Benson Road
Benton Harbor, MI 49022-2692

Please include a daytime phone number in your correspondence.

Accessories

Accessories U.S.A.

To order accessories, call the Whirlpool Customer eXperience Center toll free at **1-800-442-9991** and follow the menu prompts. Or visit our website at **www.whirlpool.com** and click on “Parts & Accessories.”

Stainless Steel Cleaner and Polish

(stainless steel models)

Order Part Number 31462

All-Purpose Appliance Cleaner

Order Part Number 31662

Gas Grate and Drip Pan Cleaner

Order Part Number 31617

In Canada

Call the Whirlpool Canada LP Customer Interaction Centre toll free: **1-800-807-6777**.

Our consultants provide assistance with:

- Features and specifications on our full line of appliances.
- Use and maintenance procedures.
- Accessory and repair parts sales.
- Referrals to local dealers, repair parts distributors, and service companies. Whirlpool Canada LP designated service technicians are trained to fulfill the product warranty and provide after-warranty service, anywhere in Canada.

For further assistance

If you need further assistance, you can write to Whirlpool Canada LP with any questions or concerns at:

Customer Interaction Centre
Whirlpool Canada LP
1901 Minnesota Court
Mississauga, Ontario L5N 3A7

Please include a daytime phone number in your correspondence.

Accessories

Stainless Steel Cleaner and Polish

(stainless steel models)

Order Part Number 31462B

All-Purpose Appliance Cleaner

Order Part Number 31662B

Gas Grate and Drip Pan Cleaner

Order Part Number 31617B

WHIRLPOOL CORPORATION MAJOR APPLIANCE WARRANTY

LIMITED WARRANTY

For one year from the date of purchase, when this major appliance is operated and maintained according to instructions attached to or furnished with the product, Whirlpool Corporation or Whirlpool Canada LP (hereafter "Whirlpool") will pay for Factory Specified Parts and repair labor to correct defects in materials or workmanship. Service must be provided by a Whirlpool designated service company. This limited warranty is valid only in the United States or Canada and applies only when the major appliance is used in the country in which it was purchased. Outside the 50 United States and Canada, this limited warranty does not apply. Proof of original purchase date is required to obtain service under this limited warranty.

ITEMS EXCLUDED FROM WARRANTY

This limited warranty does not cover:

1. Service calls to correct the installation of your major appliance, to instruct you on how to use your major appliance, to replace or repair house fuses, or to correct house wiring or plumbing.
2. Service calls to repair or replace appliance light bulbs, air filters or water filters. Consumable parts are excluded from warranty coverage.
3. Repairs when your major appliance is used for other than normal, single-family household use or when it is used in a manner that is contrary to published user or operator instructions and/or installation instructions.
4. Damage resulting from accident, alteration, misuse, abuse, fire, flood, acts of God, improper installation, installation not in accordance with electrical or plumbing codes, or use of consumables or cleaning products not approved by Whirlpool.
5. Cosmetic damage, including scratches, dents, chips or other damage to the finish of your major appliance, unless such damage results from defects in materials or workmanship and is reported to Whirlpool within 30 days from the date of purchase.
6. Any food loss due to refrigerator or freezer product failures.
7. Costs associated with the removal from your home of your major appliance for repairs. This major appliance is designed to be repaired in the home and only in-home service is covered by this warranty.
8. Repairs to parts or systems resulting from unauthorized modifications made to the appliance.
9. Expenses for travel and transportation for product service if your major appliance is located in a remote area where service by an authorized Whirlpool servicer is not available.
10. The removal and reinstallation of your major appliance if it is installed in an inaccessible location or is not installed in accordance with published installation instructions.
11. Major appliances with original model/serial numbers that have been removed, altered or cannot be easily determined. This warranty is void if the factory applied serial number has been altered or removed from your major appliance.

The cost of repair or replacement under these excluded circumstances shall be borne by the customer.

DISCLAIMER OF IMPLIED WARRANTIES; LIMITATION OF REMEDIES

CUSTOMER'S SOLE AND EXCLUSIVE REMEDY UNDER THIS LIMITED WARRANTY SHALL BE PRODUCT REPAIR AS PROVIDED HEREIN. IMPLIED WARRANTIES, INCLUDING WARRANTIES OF MERCHANTABILITY OR FITNESS FOR A PARTICULAR PURPOSE, ARE LIMITED TO ONE YEAR OR THE SHORTEST PERIOD ALLOWED BY LAW. WHIRLPOOL SHALL NOT BE LIABLE FOR INCIDENTAL OR CONSEQUENTIAL DAMAGES. SOME STATES AND PROVINCES DO NOT ALLOW THE EXCLUSION OR LIMITATION OF INCIDENTAL OR CONSEQUENTIAL DAMAGES, OR LIMITATIONS ON THE DURATION OF IMPLIED WARRANTIES OF MERCHANTABILITY OR FITNESS, SO THESE EXCLUSIONS OR LIMITATIONS MAY NOT APPLY TO YOU. THIS WARRANTY GIVES YOU SPECIFIC LEGAL RIGHTS, AND YOU MAY ALSO HAVE OTHER RIGHTS WHICH VARY FROM STATE TO STATE OR PROVINCE TO PROVINCE.

If outside the 50 United States and Canada, contact your authorized Whirlpool dealer to determine if another warranty applies.

If you need service, first see the "Troubleshooting" section of the Use & Care Guide. After checking "Troubleshooting," you may find additional help by checking the "Assistance or Service" section or by calling Whirlpool. In the U.S.A., call **1-800-253-1301**. In Canada, call **1-800-807-6777**.

9/07

Keep this book and your sales slip together for future reference. You must provide proof of purchase or installation date for in-warranty service.

Write down the following information about your major appliance to better help you obtain assistance or service if you ever need it. You will need to know your complete model number and serial number. You can find this information on the model and serial number label located on the product.

Dealer name _____
Address _____
Phone number _____
Model number _____
Serial number _____
Purchase date _____

Notes

SÉCURITÉ DE LA CUISINIÈRE

Votre sécurité et celle des autres est très importante.

Nous donnons de nombreux messages de sécurité importants dans ce manuel et sur votre appareil ménager. Assurez-vous de toujours lire tous les messages de sécurité et de vous y conformer.



Voici le symbole d'alerte de sécurité.

Ce symbole d'alerte de sécurité vous signale les dangers potentiels de décès et de blessures graves à vous et à d'autres.

Tous les messages de sécurité suivront le symbole d'alerte de sécurité et le mot "DANGER" ou "AVERTISSEMENT". Ces mots signifient :

⚠ DANGER

Risque possible de décès ou de blessure grave si vous ne suivez pas immédiatement les instructions.

⚠ AVERTISSEMENT

Risque possible de décès ou de blessure grave si vous ne suivez pas les instructions.

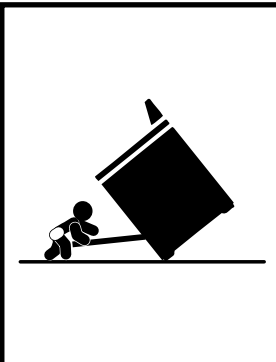
Tous les messages de sécurité vous diront quel est le danger potentiel et vous disent comment réduire le risque de blessure et ce qui peut se produire en cas de non-respect des instructions.

AVERTISSEMENT : Pour votre sécurité, les renseignements dans ce manuel doivent être observés pour réduire au minimum les risques d'incendie ou d'explosion ou pour éviter des dommages au produit, des blessures ou un décès.

- Ne pas entreposer ni utiliser de l'essence ou d'autres vapeurs ou liquides inflammables à proximité de cet appareil ou de tout autre appareil électroménager.
- QUE FAIRE DANS LE CAS D'UNE ODEUR DE GAZ :
 - Ne pas tenter d'allumer un appareil.
 - Ne pas toucher à un commutateur électrique.
 - Ne pas utiliser le téléphone se trouvant sur les lieux.
 - Appeler immédiatement le fournisseur de gaz d'un téléphone voisin. Suivre ses instructions.
 - À défaut de joindre votre fournisseur de gaz, appeler les pompiers.
- L'installation et l'entretien doivent être effectués par un installateur qualifié, une agence de service ou le fournisseur de gaz.

La bride antibasculement

Dans des conditions de service normales, la cuisinière ne bascule pas. Elle peut cependant basculer si une force ou un poids excessif est appliqué sur la porte ouverte alors que la bride antibasculement n'est pas convenablement fixée.



⚠ AVERTISSEMENT

Risque de basculement

Un enfant ou une personne adulte peut faire basculer la cuisinière ce qui peut causer un décès.

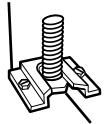
Joindre la bride antibasculement au pied arrière de la cuisinière.

Joindre de nouveau la bride antibasculement si la cuisinière est déplacée.

Voir détails dans les instructions d'installation.

Le non-respect de ces instructions peut causer un décès ou des brûlures graves aux enfants et aux adultes.

La bride antibasculement



Le pied de la cuisinière

Assurez-vous qu'une bride antibasculement est installée :

- **Glisser la cuisinière vers l'avant.**
- **Vérifier que la bride antibasculement est bien fixée au plancher.**
- **Glisser de nouveau la cuisinière vers l'arrière de sorte que le pied est sous la bride antibasculement.**

IMPORTANTES INSTRUCTIONS DE SÉCURITÉ

AVERTISSEMENT : Pour réduire le risque d'incendie, de choc électrique, de blessures ou de dommages lors de l'utilisation de la cuisinière, il convient d'observer certaines précautions élémentaires dont les suivantes :

- **AVERTISSEMENT :** POUR MINIMISER LE RISQUE DE BASCULEMENT DE LA CUISINIÈRE, ELLE DOIT ÊTRE BIEN IMMOBILISÉE PAR DES DISPOSITIFS ANTIBASCULEMENT CORRECTEMENT INSTALLÉS. POUR VÉRIFIER SI LES DISPOSITIFS SONT CORRECTEMENT INSTALLÉS, GLISSER LA CUISINIÈRE VERS L'AVANT ET VÉRIFIER SI LA BRIDE ANTIBASCULEMENT EST BIEN FIXÉE AU PLANCHER, ET GLISSER LA CUISINIÈRE VERS L'ARRIÈRE POUR QUE LE PIED ARRIÈRE DE LA CUISINIÈRE SOIT SOUS LA BRIDE ANTIBASCULEMENT.
- **AVERTISSEMENT :** NE JAMAIS utiliser cet appareil comme dispositif de chauffage de la pièce. Le non-respect de cette instruction peut entraîner une intoxication au monoxyde de carbone et une surchauffe du four.
- **AVERTISSEMENT :** NE JAMAIS couvrir les fentes, trous ou passages d'air au fond du four ou couvrir entièrement une grille avec des matériaux tels que du papier d'aluminium. Le non-respect de cette instruction empêche la circulation de l'air dans le four et peut entraîner une intoxication au monoxyde de carbone. Les feuilles de papier d'aluminium peuvent également retenir la chaleur et créer un risque d'incendie.
- **MISE EN GARDE :** Ne pas remiser dans des armoires au-dessus de la cuisinière ou sur le dossier d'une cuisinière, des objets que des enfants pourraient vouloir atteindre. Les enfants pourraient se brûler ou se blesser en grimant sur la cuisinière.

- Installation appropriée – La cuisinière, lorsqu'elle est correctement installée, doit être reliée à la terre conformément aux codes électriques locaux ou en l'absence de codes locaux, selon le *Code électrique national (US) ANSI/NFPA 70* ou le *Code canadien des installations, Partie 1*. S'assurer que la cuisinière est correctement installée et reliée à la terre par un technicien qualifié.
- Cette cuisinière est munie d'une fiche de liaison à la terre à trois broches pour votre protection contre les risques de choc électrique et doit être branchée directement dans une prise de courant bien reliée à la terre. Ne pas couper ni enlever la broche de liaison à la terre de cette fiche.
- Déconnecter la source de courant électrique avant l'entretien.
- Des blessures peuvent survenir d'un mauvais usage des portes ou des tiroirs de l'appareil tel que se tenir debout sur la surface, se pencher ou s'asseoir sur les portes ou tiroirs.
- Entretien – Garder l'espace autour de la cuisinière dégagé et libre de matériaux combustibles, d'essence et d'autres vapeurs et liquides inflammables.
- Remisage dans ou sur la cuisinière – Des produits inflammables ne devraient pas être remisés dans un four ou près des éléments de surface.
- La taille de la flamme des brûleurs de surface devrait être ajustée de sorte qu'elle ne dépasse pas le bord de l'ustensile de cuisson.

Cuisinière autonettoyante –

- Avant l'autonettoyage du four – Ôter la lèchefrite et son plat et les autres ustensiles. Essuyer tous les renversements excessifs avant de mettre en marche le programme d'autonettoyage.

CONSERVEZ CES INSTRUCTIONS

PIÈCES ET CARACTÉRISTIQUES

Ce manuel couvre plusieurs modèles différents. La cuisinière que vous avez achetée peut comporter quelques-unes ou toutes les pièces et caractéristiques énumérées. L'emplacement et l'apparence des caractéristiques illustrées peuvent être différents de ceux de votre modèle.

Tableau de commande

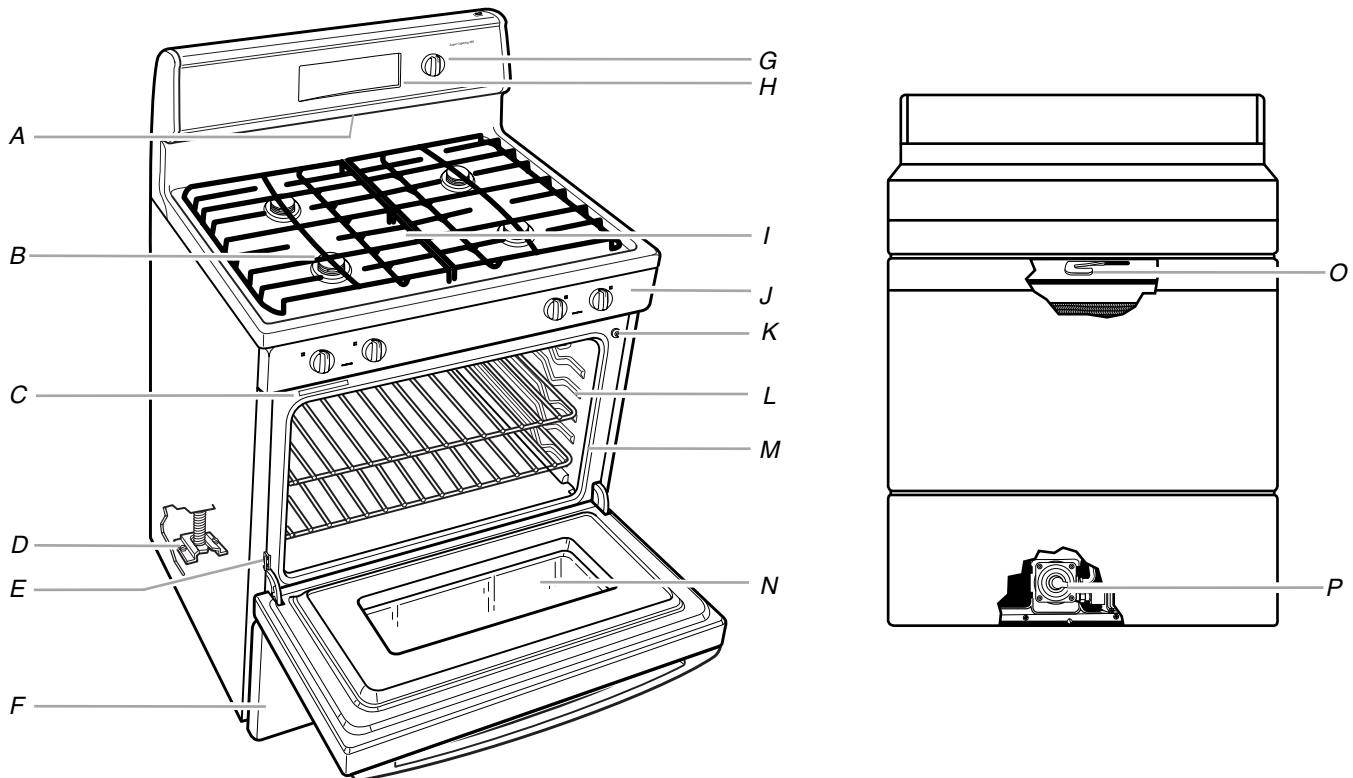


A. Commande de brûleur arrière gauche
B. Commande de brûleur avant gauche
(Brûleur puissant/Power™ burner sur certains modèles)

C. Commande de brûleur avant droit

D. Commande de brûleur arrière droit (brûleur ACCUSIMMER® sur certains modèles)
E. Témoin de brûleur de surface

Cuisinière



A. Évent du four
B. Zone de cuisson à la surface
C. Plaque signalétique des numéros de modèle et de série
D. Bride antibasculement
E. Charnière de la porte du four

F. Tiroir de remisage (tiroir-réchaud sur certains modèles)
G. Commande du tiroir-réchaud (sur certains modèles)
H. Commande de four électronique
I. Grille centrale (sur certains modèles)
J. Commande de brûleur de surface

K. Interrupteur automatique de lampe du four
L. Grille du four
M. Joint d'étanchéité
N. Hublot de la porte du four
O. Loquet d'autonettoyage
P. Détendeur

Pièces et caractéristiques non illustrées

Lampe du four
Lèche-frite et grille (sur certains modèles)
Grille de rôtissage (sur certains modèles)
Doublure du tiroir de remisage (sur certains modèles)

UTILISATION DE LA TABLE DE CUISSON

Commandes de la table de cuisson

⚠ AVERTISSEMENT



Risque d'incendie

La flamme d'un brûleur ne devrait pas dépasser le bord du récipient de cuisson.

Fermer tous les réglages lorsque la cuisson est terminée.

Le non-respect de ces instructions peut causer un décès ou un incendie.

Les allumeurs électriques allument automatiquement les brûleurs de surface quand les boutons de commande sont tournés à IGNITE (allumer).

Avant de régler un bouton de commande, placer l'ustensile de cuisson rempli sur la grille. Ne pas faire fonctionner un brûleur avec un ustensile de cuisson vide ou sans un ustensile de cuisson sur la grille.

Réglage :

- Appuyer sur le bouton et le tourner dans le sens antihoraire à IGNITE.
Les quatre brûleurs de surface émettront un déclic. Seul le brûleur dont le bouton est tourné à IGNITE produira une flamme.
- Tourner le bouton n'importe où entre HIGH (élevée) et LOW (basse). Utiliser le tableau suivant comme guide lors du réglage des niveaux de chaleur.

RÉGLAGE	UTILISATION RECOMMANDÉE
IGNITE (allumer)	■ Pour allumer le brûleur.
HIGH (élevée)	■ Pour commencer la cuisson des aliments. ■ Pour porter un liquide à ébullition.
Entre HIGH (élevée) et LOW (basse)	■ Pour maintenir une ébullition rapide. ■ Pour brunir ou saisir rapidement les aliments. ■ Pour faire frire ou sauter les aliments. ■ Pour cuire les soupes et les sauces. ■ Pour faire mijoter ou étuver les aliments.
LOW (basse)	■ Pour garder les aliments au chaud. ■ Pour faire mijoter lentement.

N'OUBLIEZ PAS : Quand l'appareil est utilisé ou (sur certains modèles) durant le programme d'autonettoyage, toute la surface de la table de cuisson peut devenir chaude.

REMARQUE : Sur certains modèles, la table de cuisson ne fonctionne pas lorsque la cuisinière est en mode d'autonettoyage.

Nettoyage :

IMPORTANT : Avant de procéder au nettoyage, s'assurer que toutes les commandes sont éteintes et que le four et la table de cuisson ont refroidi. Ne pas utiliser de produits de nettoyage de four, d'agent de blanchiment ou de produit antirouille.

Power™ Burner (brûleur puissant - sur certains modèles)

Le brûleur avant droit ou les deux brûleurs à l'avant (sur certains modèles) sont conçus pour fournir une puissance ultra-élevée lorsqu'ils sont à la position maximum. Ils peuvent être utilisés pour porter rapidement un liquide à ébullition et pour faire cuire de grandes quantités d'aliments.

Brûleur ACCUSIMMER® (sur certains modèles)

Le brûleur arrière droit comporte un réglage de chaleur ajustable pour un mijotage plus précis et une température de cuisson basse.

Panne de courant

Cuisinières avec verrouillage de la table de cuisson

IMPORTANT : La table de cuisson sera automatiquement verrouillée :

- Lors de la mise sous tension initiale de la cuisinière.
- Lors du rétablissement de l'alimentation après une panne de courant.
- Lorsque "PUSH" (enfoncer)/"OFF" (arrêt) clignote sur l'afficheur.

Pour annuler le verrouillage automatique de la table de cuisson

- Appuyer sur OFF/CANCEL (arrêt/annulation).
- Régler l'horloge.

Cuisinières sans verrouillage de la table de cuisson

En cas de panne de courant prolongée, les brûleurs de surface peuvent être allumés manuellement. Tenir une allumette allumée près d'un brûleur et tourner le bouton dans le sens antihoraire à IGNITE. Une fois le brûleur allumé, tourner le bouton sur un réglage.

Verrouillage de la table de cuisson

(sur certains modèles)



Veilleuse/touche de verrouillage de la table de cuisson



Icône de verrouillage de la table de cuisson

La désactivation de la table de la cuisson prévient l'utilisation involontaire des zones de cuisson. Si un bouton de commande est positionné au réglage Ignite (allumage) lorsque la table de cuisson est verrouillée, on entend un dé clic; il se peut que l'allumeur fasse des étincelles mais le brûleur ne s'allume pas.

Verrouillage de la table de cuisson :

1. Mettre tous les brûleurs de surface en position OFF (arrêt).
2. Appuyer sur la touche NIGHT LIGHT/COOKTOP LOCKOUT (veilleuse/verrouillage de la table de cuisson) pendant 3 secondes.

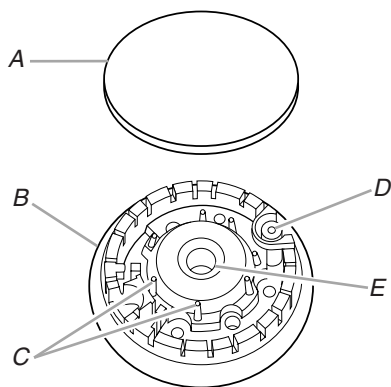
Un seul signal sonore se fait entendre. "Loc", "LOCKED" et l'icône de la table de cuisson s'affichent.

Déverrouillage de la table de cuisson:

1. Mettre tous les brûleurs de surface en position OFF (arrêt).
2. Appuyer sur la touche NIGHT LIGHT/COOKTOP LOCKOUT (veilleuse/verrouillage de la table de cuisson) pendant 3 secondes.

Un seul signal sonore se fait entendre. "Loc OFF" s'affiche pendant 3 secondes. "LOCKED" et l'icône de la table de cuisson disparaissent de l'afficheur.

Brûleurs de surface scellés

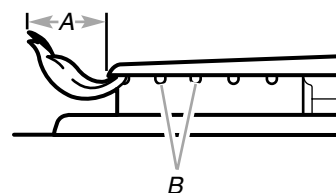


- A. Chapeau de brûleur
- B. Base du brûleur
- C. Tiges d'alignement
- D. Dispositif d'allumage
- E. Ouverture du tube d'arrivée de gaz

IMPORTANT : Ne pas entraver le débit de gaz de combustion et de l'air de ventilation autour des bords des grilles de brûleur.

Chapeau de brûleur : Toujours garder le chapeau du brûleur en place lorsqu'un brûleur de surface est utilisé. Un chapeau de brûleur propre empêche un mauvais allumage et une flamme inégale. Toujours nettoyer le chapeau de brûleur après un renversement et enlever et nettoyer régulièrement les chapeaux conformément à la section "Nettoyage général".

Ouverture du tube d'arrivée de gaz : Pour que le brûleur s'allume convenablement, il faut que le gaz puisse passer librement à travers l'ouverture du tube d'arrivée de gaz. Il est essentiel de garder cette zone exempte de souillures et de veiller à ce que les renversements, aliments, agents de nettoyage ou autre matériau ne puissent pénétrer dans l'ouverture du tube d'arrivée de gaz. Le protéger contre les renversements en utilisant toujours un chapeau de brûleur.



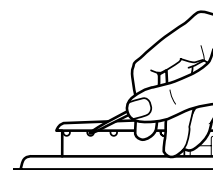
- A. 1-1/2" (25-38 mm)
- B. Orifices de brûleur

Orifices de brûleur : Examiner occasionnellement les flammes des brûleurs pour en vérifier la taille et la forme tel qu'indiqué ci-dessus. Une bonne flamme est bleue, non jaune. Il est essentiel de garder cette zone exempte de souillures et de veiller à ce que les renversements, aliments, agents de nettoyage ou autre matériau ne puissent pénétrer dans les orifices de brûleur.

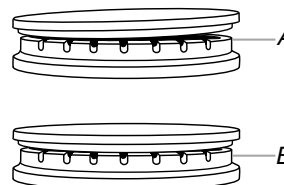
Nettoyage :

IMPORTANT : Avant de faire le nettoyage, s'assurer que toutes les commandes sont éteintes et que le four et la table de cuisson sont froids. Ne pas utiliser de nettoyants à four, eau de Javel ou décapants à rouille.

1. Enlever le chapeau de brûleur de la base du brûleur et nettoyer conformément à la section "Nettoyage général".
2. Nettoyer l'ouverture du tube d'arrivée de gaz avec un linge humide.
3. Nettoyer les orifices de brûleur obstrués avec une épingle droite tel qu'indiqué. Ne pas agrandir ni déformer les orifices. Ne pas utiliser un cure-dent en bois. Si le brûleur a besoin d'être ajusté, faire venir un technicien d'entretien qualifié.



4. Réinstaller le chapeau de brûleur et s'assurer que les tiges d'alignement sont bien alignées avec le chapeau de brûleur.



- A. Incorrect
- B. Correct

5. Allumer le brûleur. Si le brûleur ne s'allume pas, vérifier l'alignement du chapeau. Si le brûleur ne s'allume toujours pas, ne pas faire vous-même la réparation du brûleur scellé. Contacter un technicien d'entretien qualifié.

Préparation de conserves à la maison

Lors de la préparation de conserves pendant de longues périodes, alterner l'utilisation des brûleurs de surface entre les quantités préparées. Cette alternance permet aux dernières surfaces utilisées de refroidir.

- Centrer l'autoclave sur la grille.
 - Ne pas placer l'autoclave sur deux brûleurs de surface à la fois.
 - Pour plus de renseignements, communiquez avec votre service local d'agriculture. Les compagnies qui fabriquent des produits pour la préparation de conserves peuvent aussi offrir de l'aide.
-

Ustensiles de cuisson

IMPORTANT : Ne pas laisser un ustensile de cuisson vide sur la surface d'une table de cuisson, d'un élément ou d'un brûleur de surface chauds.

Les ustensiles de cuisson idéals doivent avoir un fond plat, des parois droites, un couvercle qui ferme bien et le matériau doit être d'épaisseur moyenne à forte.

Les surfaces rudes peuvent égratigner la table de cuisson ou les grilles. L'aluminium et le cuivre peuvent être employés comme fond ou base dans un ustensile de cuisson. Cependant, utilisés comme base, ils peuvent laisser des marques permanentes sur la table de cuisson ou les grilles.

Le matériau d'un ustensile de cuisson affecte la rapidité et l'uniformité de la transmission de la chaleur, et contribue aux résultats de cuisson. Un fini antiadhésif a les mêmes caractéristiques que son matériau de base. Par exemple, un ustensile de cuisson en aluminium avec un fini antiadhésif aura les propriétés de l'aluminium.

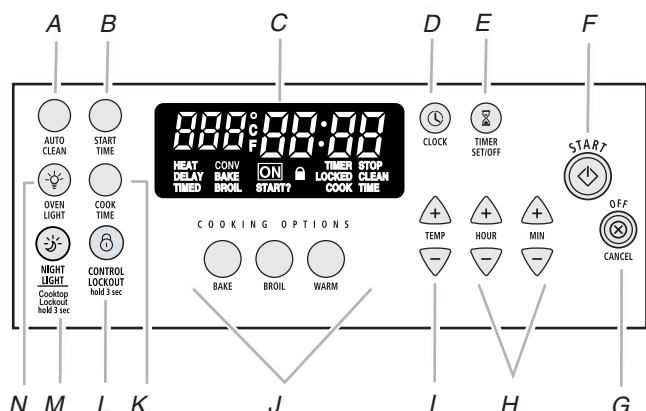
Les ustensiles de cuisson avec surface antiadhésive ne doivent pas être utilisés sous le gril.

Utiliser le tableau suivant comme guide pour les caractéristiques du matériau de l'ustensile de cuisson.

USTENSILE	CARACTÉRISTIQUES
Aluminium	<ul style="list-style-type: none">■ Chauffe rapidement et uniformément.■ Convient à tous les genres de cuisson.■ L'épaisseur moyenne ou forte convient le mieux pour la plupart des tâches de cuisson.
Fonte	<ul style="list-style-type: none">■ Chauffe lentement et uniformément.■ Convient pour le brunissage et la friture.■ Maintient la chaleur pour une cuisson lente.
Céramique ou vitrocéramique	<ul style="list-style-type: none">■ Suivre les instructions du fabricant.■ Chauffe lentement mais inégalement.■ Les meilleurs résultats sont obtenus sur les réglages de chaleur basse à moyenne.
Cuivre	<ul style="list-style-type: none">■ Chauffe très rapidement et de façon uniforme.
Terre cuite	<ul style="list-style-type: none">■ Suivre les instructions du fabricant.■ Utiliser des réglages de température basse.
Acier émaillé en porcelaine ou fonte émaillée	<ul style="list-style-type: none">■ Voir acier inoxydable ou fonte.
Acier inoxydable	<ul style="list-style-type: none">■ Chauffe rapidement, mais inégalement.■ Un fond ou une base d'aluminium ou de cuivre sur l'acier inoxydable procure un chauffage uniforme.

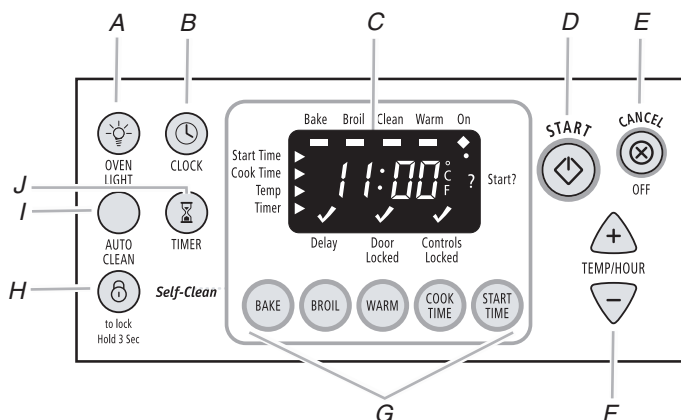
COMMANDES ÉLECTRONIQUES DU FOUR

Style 1 - Commandes électroniques du four (sur certains modèles)



- | | |
|----------------------------------|--|
| A. Autonettoyage | H. Heure/minute |
| B. Heure de mise en marche | I. Température |
| C. Afficheur du four | J. Fonctions de cuisson |
| D. Horloge | K. Durée de cuisson |
| E. Réglage/arrêt de la minuterie | L. Verrouillage des commandes |
| F. Mise en marche | M. Veilleuse/verrouillage de la table de cuisson |
| G. Arrêt/annulation | N. Lampe du four |

Style 2 - Commandes électroniques du four (sur certains modèles)



- | | |
|---------------------|-------------------------------|
| A. Lampe du four | F. Temp/durée |
| B. Horloge | G. Fonctions de cuisson |
| C. Affichage | H. Verrouillage des commandes |
| D. Mise en marche | I. Autonettoyage |
| E. Annulation/arrêt | J. Minuterie |

Affichage

Lorsque le four n'est pas en marche, l'afficheur indique l'heure.

Lors de l'utilisation d'une fonction de cuisson minutée, l'afficheur indique les heures et les minutes ou les minutes et les secondes.

Style 1 - Commande électronique du four

Lors de la mise sous tension initiale de la cuisinière, appuyer sur "PUSH" (enfoncer)/"OFF" (arrêt). Appuyer sur OFF/CANCEL (arrêt/annulation) pour déverrouiller la table de cuisson. Une heure clignotante s'affiche. Appuyer sur OFF/CANCEL (arrêt/annulation) pour effacer l'heure clignotante puis régler à nouveau l'horloge.

Style 2 - Commande électronique du four

Lors de la mise sous tension initiale de l'appareil, une heure clignotante apparaît sur l'afficheur. Appuyer sur OFF/CANCEL (arrêt/annulation) pour effacer l'heure clignotante sur l'afficheur.

Si l'heure clignotante apparaît, une panne de courant s'est produite. Appuyer sur OFF/CANCEL (arrêt/annulation) et régler l'horloge au besoin.

Mise en marche

La touche Start (mise en marche) démarre toutes les fonctions du four et la minuterie de cuisine. Si on n'appuie pas sur la touche Start dans les 5 secondes après avoir appuyé sur une touche de fonction, le témoin "START?" ou "PUSH?" clignote à titre de rappel. Sur certains modèles, "START?" apparaîtra sur l'afficheur.

Si on n'appuie pas sur Start 1 minute après avoir appuyé sur une touche de fonction, l'afficheur du four retourne au mode de l'heure et la fonction programmée est annulée.

Arrêt/annulation

La touche Off/Cancel (arrêt/annulation) arrête toutes les fonctions à l'exception de l'horloge, de la minuterie et du verrouillage des commandes.

Horloge

Sur certains modèles, il s'agit d'une horloge de 12 heures qui indique a.m. et p.m.

Réglage :

Avant de procéder au réglage, s'assurer que le four et la minuterie sont désactivés.

1. Appuyer sur CLOCK (horloge).
2. Selon votre modèle, appuyer sur les touches à flèche HR ou MIN ou TEMP/HOUR (vers le haut ou vers le bas) pour régler l'heure, en indiquant a.m. ou p.m.
3. Appuyer sur CLOCK (horloge) ou START (mise en marche).

L'affichage de l'horloge peut être allumé/éteint (sur certains modèles) en appuyant sur la touche Clock pendant 5 secondes.

Lampes de la cuisinière



Lampe du four



Veilleuse

Lampe du four

Lorsque la porte du four est fermée, appuyer sur la touche OVEN LIGHT (lampe du four) pour allumer ou éteindre la lampe. La lampe du four s'allume à l'ouverture de la porte. La lampe du four ne s'allume pas durant le programme d'autonettoyage.

Veilleuse (sur certains modèles)

Appuyer sur la touche NIGHT LIGHT/COOKTOP LOCKOUT (veilleuse/verrouillage de la table de cuisson) pour allumer ou éteindre la veilleuse.

Signaux sonores

Les signaux sonores indiquent ce qui suit :

Un signal sonore unique

- Appui sur une touche valide
- Four préchauffé (signal sonore long)
- Fonction entrée
- Signaux de rappel émis à intervalles de une minute après les signaux de fin de programme

Trois signaux sonores

- Appui sur une touche non valide

Quatre signaux sonores

- Fin de programme

Style 1 - Commande électronique du four

Signaux sonores de rappel : Les signaux sonores à la fin d'une durée de cuisson ou de la minuterie peuvent être réglés pour retentir une fois (Off/arrêt) ou pour continuer à retentir une fois par minute (rEP On). Appuyer sur la touche TIMER SET/OFF (réglage/arrêt de la minuterie) pendant 5 secondes pour allumer ou éteindre les signaux sonores. "Off" ou "rEP On" clignotera sur l'afficheur.

Son : Tous les signaux sonores peuvent être désactivés. Appuyer sur la touche COOK TIME (durée de cuisson) pendant 5 secondes pour allumer ou éteindre les signaux sonores. "Off" ou "Snd On" clignotera sur l'afficheur.

Volume : Le volume des signaux sonores peut être réglé à "Lo" (bas) ou "Hi" (élevé). Appuyer sur la touche START TIME (heure de mise en marche) pendant 5 secondes pour régler le volume à high (élevé) ou low (bas). "Lo" ou "Snd HI" clignotera sur l'afficheur.

Style 2 - Commande électronique du four

Signaux sonores de rappel : Les signaux sonores à la fin de la minuterie peuvent être réglés pour retentir une fois ou continuer à retentir. Appuyer sur la touche TIMER pendant 5 secondes pour accéder au mode Options. "Opt" s'affiche. Faire défiler les options ("12hr" ou "hr"), ("LOn" ou "LOff"), jusqu'à ("b" ou "b1") à l'aide des touches TEMP/HOUR. Choisir on (marche) ou off (arrêt) à l'aide de la touche TIMER (minuterie). Appuyer sur CANCEL (annulation) pour sortir du mode.

Fahrenheit et Celsius

La température est pré-réglée à Fahrenheit, mais elle peut être changée à Celsius sur certains modèles.

Modification : Appuyer sur la touche BROIL pendant 5 secondes. Un signal sonore se fera entendre et "°C" apparaîtra sur l'afficheur. Répéter pour revenir à Fahrenheit. Pour sortir de ce mode, appuyer sur OFF/CANCEL (arrêt/annulation).

Minuterie

La minuterie peut être réglée en heures et minutes jusqu'à concurrence de 12 heures et 59 minutes et procède à un compte à rebours de la durée réglée. La minuterie ne met pas en marche le four et ne l'éteint pas.

Réglage :

1. Appuyer sur TIMER SET (réglage de la minuterie) ou sur TIMER (minuterie). Le témoin lumineux de la minuterie s'allumera sur certains modèles. Si aucune fonction n'est entrée après 1 minute, l'afficheur retourne au mode d'affichage de l'heure.
2. Selon votre modèle, appuyer sur les touches à flèche HR ou MIN ou TEMP/HOUR (vers le haut ou vers le bas) pour régler la durée de cuisson.
3. Appuyer sur START (mise en marche) ou TIMER SET (réglage de la minuterie). À la fin de la durée réglée, des signaux sonores de fin de programme se feront entendre et, si activés, des signaux sonores de rappel se feront entendre à intervalles d'une minute sur certains modèles.
4. Appuyer deux fois sur TIMER OFF (arrêt de la minuterie) ou TIMER (minuterie) à tout moment pour annuler la minuterie et les signaux sonores de rappel.

Noter qu'il ne faut pas appuyer sur la touche OFF/CANCEL (arrêt/annulation) sinon le four s'éteint.

Pour afficher l'heure pendant 5 secondes lorsque la minuterie compte à rebours, appuyer sur CLOCK (horloge).

Verrouillage des commandes

Le verrouillage des commandes désactive les touches du tableau de commande pour éviter l'utilisation involontaire du four. Lorsque les commandes sont verrouillées, seules les touches CLOCK (horloge), OVEN LIGHT (lampe du four), et TIMER (minuterie) fonctionnent.

Style 1 - Commande électronique du four



Verrouillage des commandes



Icône de verrouillage des commandes

Verrouillage des commandes :

1. Vérifier que le four est éteint et qu'aucune cuisson différée n'est programmée.
2. Appuyer sur CONTROL LOCKOUT (verrouillage des commandes) pendant 3 secondes.
Un seul signal sonore se fait entendre. "Loc", "LOCKED" et l'icône de verrouillage des commandes s'affichent.

Déverrouillage des commandes :

1. Appuyer sur CONTROL LOCKOUT (verrouillage des commandes) pendant 3 secondes.
Un seul signal sonore se fait entendre. "Loc", "LOCKED" et l'icône de verrouillage des commandes disparaissent de l'afficheur.

Style 2 - Commande électronique du four



Verrouillage des commandes



Icône de verrouillage des commandes

Verrouillage des commandes :

1. Vérifier que le four est éteint et qu'aucune cuisson différée n'est programmée.
2. Appuyer sur CONTROL LOCKOUT (verrouillage des commandes) pendant 3 secondes.
Un seul signal sonore se fait entendre. "Loc" et l'icône de verrouillage des commandes s'affichent.

Déverrouillage des commandes :

1. Appuyer sur CONTROL LOCKOUT (verrouillage des commandes) pendant 3 secondes.
Un seul signal sonore se fait entendre. "Loc" et l'icône de verrouillage des commandes disparaissent de l'afficheur.

Commande de la température du four

IMPORTANT : Ne pas utiliser un thermomètre pour mesurer la température du four car l'ouverture de la porte du four peut provoquer des mesures incorrectes du brûleur à fonctionnement par intermittence.

Le four fournit des températures précises; toutefois, il peut cuire plus rapidement ou plus lentement que votre ancien four, c'est pourquoi le calibrage de la température peut être ajusté. Il peut être changé en degrés Fahrenheit ou en Celsius.

Un signe moins signifie que le four sera plus froid du nombre de degrés affiché. L'absence de signe moins signifie que le four sera plus chaud du nombre de degrés affiché. Utiliser le tableau suivant comme guide.

AJUSTEMENT EN °F (AJUSTEMENT EN °C)	CUIT LES ALIMENTS
10°F (5°C)	...un peu plus
20°F (10°C)	...modérément plus
30°F (15°C)	...beaucoup plus
-10°F (-5°C)	...un peu moins
-20°F (-10°C)	...modérément moins
-30°F (-15°C)	...beaucoup moins

Ajustement du calibrage de la température du four :

1. Appuyer sur BAKE pendant 5 secondes jusqu'à ce que l'afficheur du four indique le calibrage actuel, par exemple "0°F CAL" ou "00".
2. Appuyer sur la ou les touches à flèche TEMP ou TEMP/HOUR (vers le haut ou vers le bas) pour augmenter ou diminuer la température par tranches de 10°F (5°C). L'ajustement peut être réglé entre 30°F (15°C) et -30°F (-15°C).
3. Appuyer sur START (mise en marche).

UTILISATION DU FOUR

Des odeurs et de la fumée sont normales lorsque le four est utilisé les premières fois, ou lorsqu'il est très sale.

IMPORTANT : La santé de certains oiseaux est très sensible aux émanations de fumée. L'exposition aux émanations peut entraîner la mort de certains oiseaux. Toujours déplacer les oiseaux dans une autre pièce fermée et bien aérée.

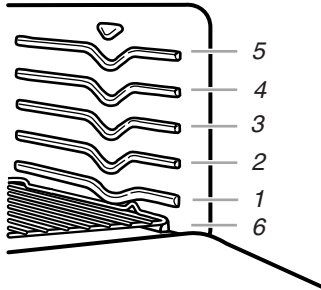
Papier d'aluminium

IMPORTANT : Pour éviter des dommages permanents au fini du fond du four, ne pas recouvrir le fond avec du papier d'aluminium, un revêtement quelconque ou un ustensile de cuisson.

- Sur ces modèles avec évent au fond du four, ne pas bloquer ou recouvrir les événements du fond du four.
- Pour assurer une bonne circulation de l'air et des résultats de cuisson optimaux, ne pas recouvrir la grille entière de papier d'aluminium.
- Pour récupérer les débordements, placer une feuille d'aluminium sur la grille sur laquelle se trouve le plat. Veiller à ce qu'elle dépasse d'au moins 1/2" (1,3 cm) tout autour du plat et relever les bords.

Positionnement des grilles et des ustensiles de cuisson

IMPORTANT : Pour éviter des dommages permanents au fini en porcelaine, ne pas placer d'aliments ou d'ustensiles de cuisson directement sur la porte ou le fond du four.



GRILLES

- Placer les grilles avant d'allumer le four.
- Ne pas déplacer les grilles lorsque des ustensiles de cuisson se trouvent dessus.
- S'assurer que les grilles sont de niveau.

Pour déplacer une grille, la tirer jusqu'à la butée d'arrêt, soulever le rebord avant et la tirer pour la sortir du four. Se servir de l'illustration et du tableau suivants comme guide.

ALIMENTS	POSITION DE LA GRILLE
Tartes congelées, gros rôtis, dindes, gâteaux des anges	1 ou 2
Gâteaux Bundt, la plupart des pains éclairs, pains à la levure, mets en sauce et viandes	2
Biscuits, muffins, gâteaux et tartes non congelées	2 ou 3
Articles surdimensionnés	6

USTENSILES DE CUISSON

L'air chaud doit pouvoir circuler autour de l'aliment pour le cuire uniformément. Laisser 2" (5 cm) d'espace entre les ustensiles de cuisson et les parois du four. Se servir du tableau suivant comme guide.

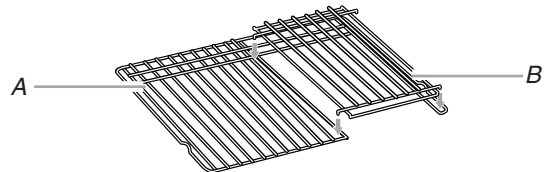
NOMBRE D'USTENSILES	POSITION SUR LA GRILLE
1	Centre de la grille.
2	Côte à côte ou légèrement décalés.
3 ou 4	Dans les coins opposés sur chaque grille. S'assurer qu'aucun ustensile de cuisson ne se trouve directement au-dessus d'un autre.

Grille de four en deux pièces (sur certains modèles)

Grille en deux pièces à section amovible

La grille en deux pièces à section amovible maximise l'espace. Lorsque les deux pièces sont reliées, elles forment une grille pleine largeur. La section amovible peut également être enlevée pour faire de la place pour des gros aliments tels qu'une dinde ou des mets en sauce. Ne pas placer plus de 25 lb (11,3 kg) sur la grille en deux pièces.

La section amovible peut aussi servir de grille de refroidissement sur un comptoir.

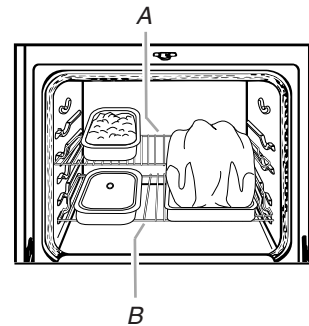


A. Grille en deux pièces
B. Section amovible

Il est possible de commander une grille en deux pièces si votre modèle n'en comporte pas. Voir la section "Assistance ou service" pour placer une commande. Demander la pièce n° 4396927.

Utilisation des grilles :

1. Placer une grille pleine largeur à la position 1 ou 2 et la grille en deux pièces à la position 3 ou 4.
2. Placer les gros aliments sur le côté droit de la grille pleine largeur.
3. Placer les plats couverts plus profonds sur le côté gauche de la grille pleine largeur.
4. Placer les plats peu profonds sur la grille en deux pièces.
5. À la fin de la cuisson, retirer les aliments avec précaution.



A. Section arrière de grille
B. Section avant de grille

Ustensiles de cuisson

Le matériau des ustensiles de cuisson affecte les résultats de cuisson. Suivre les recommandations du fabricant et utiliser le format d'ustensiles recommandé dans la recette. Se servir du tableau suivant comme guide.

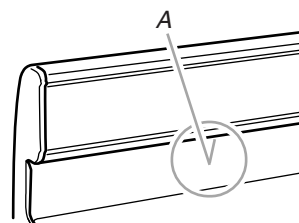
USTENSILES DE CUISSON/RÉSULTATS	RECOMMANDATIONS
Aluminium légèrement coloré <ul style="list-style-type: none">■ Croûtes légèrement dorées■ Brunissage uniforme	<ul style="list-style-type: none">■ Utiliser la température et la durée recommandées dans la recette.
Aluminium foncé et autres ustensiles de cuisson avec fini foncé, terne et/ou antiadhésif <ul style="list-style-type: none">■ Croûtes brunes, croustillantes	<ul style="list-style-type: none">■ Peut nécessiter de réduire les températures de cuisson de 25°F (15°C).■ Utiliser la durée de cuisson suggérée.■ Pour les tartes, pains et mets en sauce, utiliser la température recommandée dans la recette.■ Placer la grille au centre du four.
Tôles à biscuits ou moules à cuisson à isolation thermique <ul style="list-style-type: none">■ Brunissage faible ou non existant à la base	<ul style="list-style-type: none">■ Placer à la troisième position au bas du four.■ Peut nécessiter d'augmenter le temps de cuisson.
Acier inoxydable <ul style="list-style-type: none">■ Croûtes dorées, légères■ Brunissage inégal	<ul style="list-style-type: none">■ Peut nécessiter d'augmenter le temps de cuisson.
Plats en grès/Pierre de cuisson <ul style="list-style-type: none">■ Croûtes croustillantes	<ul style="list-style-type: none">■ Suivre les instructions du fabricant.
Plats en verre, vitrocéramique ou céramique allant au four <ul style="list-style-type: none">■ Croûtes brunes, croustillantes	<ul style="list-style-type: none">■ Peut nécessiter de réduire la température de cuisson de 25°F (15°C).

Thermomètre à viande

Sur les modèles sans sonde thermométrique, toujours se servir d'un thermomètre à viande pour vérifier la cuisson de la viande, de la volaille et du poisson. C'est la température interne qui importe et non l'apparence. Il n'y a pas de thermomètre à viande fourni avec cet appareil.

- Insérer le thermomètre au centre de la partie la plus épaisse de la viande ou à l'intérieur de la cuisse ou de la poitrine de la volaille. La pointe du thermomètre ne doit pas toucher le gras, l'os ou le cartilage.
- Après une première lecture, enfoncer 1/2" (1,3 cm) de plus dans la viande et faire une autre lecture. Si la température est plus basse, faire cuire la viande ou la volaille plus longtemps.
- Vérifier toute viande, volaille et poisson à 2 ou 3 endroits.

Évent du four



A. Évén du four

L'évén du four permet l'évacuation de l'air chaud et de l'humidité du four et ne doit pas être obstrué ou couvert. L'obstruction nuirait à la circulation adéquate de l'air et affecterait les résultats de cuisson et de nettoyage. Ne pas placer près de l'évén du four des produits en plastique, en papier ou autres articles qui pourraient fondre ou brûler.

Cuisson au four et rôtissage

Système de gestion de la température ACCUBAKE® (sur certains modèles)

Le système ACCUBAKE™ contrôle électroniquement les niveaux de chaleur du four durant le préchauffage et la cuisson afin d'aider à maintenir une gamme précise de températures pour des résultats de cuisson optimaux. Les éléments de cuisson au four et au gril s'allument et s'éteignent par intermittence. Cette caractéristique est activée automatiquement lorsque le four est utilisé.

Avant la cuisson au four et le rôtissage, placer les grilles tel qu'indiqué à la section "Positionnement des grilles et des ustensiles de cuisson". Lors du rôtissage, il n'est pas nécessaire d'attendre la fin du préchauffage du four avant d'y placer l'aliment, sauf si la recette le recommande.

Cuisson au four ou rôtissage :

1. Appuyer sur BAKE (cuisson au four).
2. Appuyer sur la touche à flèche TEMP ou TEMP/HOUR (vers le haut ou vers le bas) pour entrer une température autre que 350°F (175°C) par tranches de 5°F (3°C). La température de cuisson au four peut être réglée entre 170°F et 500°F (75°C et 260°C).

Si la température du four est supérieure à 170°F (77°C), l'affichage n'indiquera aucune durée de préchauffage de conditionnement. La durée de préchauffage de conditionnement ne changera pas si la température est réglée de nouveau avant la fin du compte à rebours.

3. Appuyer sur START (mise en marche). La température peut être changée après cette étape. Il n'est pas nécessaire d'appuyer de nouveau sur START.

Si on effectue la cuisson au four ou le rôtissage pendant que la minuterie procède à un compte à rebours, il est possible de voir la température réglée pendant 5 secondes en appuyant sur BAKE.

4. Appuyer sur OFF/CANCEL (arrêt/annulation) après avoir terminé.

Préchauffage

Après que l'on a appuyé sur START, le four commence un préchauffage de conditionnement minuté. "PrE" (sur certains modèles) et le temps du compte à rebours apparaissent sur l'afficheur. À la fin du préchauffage de conditionnement, un signal sonore se fait entendre et la température sélectionnée apparaît sur l'afficheur.

Les températures de préchauffage sont affectées par divers facteurs tels que la température ambiante et les heures de pointe de consommation d'énergie. Il est normal que la température indiquée sur l'affichage diffère de la température réelle du four; ceci est dû aux éléments qui fonctionnent par intermittence.

On recommande d'attendre encore 10 minutes après la fin de la durée de préchauffage de conditionnement avant de mettre les aliments au four lorsqu'on fait cuire des aliments comportant des levains tels que levure de bière, poudre à lever, bicarbonate de soude et œufs.

Cuisson au gril

La cuisson au gril utilise la chaleur radiante directe pour cuire les aliments. Le changement de température lors de la cuisson personnalisée au gril permet un contrôle plus précis de la cuisson. Plus la température est basse, plus la cuisson est lente. Des coupes plus épaisses et des morceaux de viande, poisson et volaille de forme inégale risquent de mieux cuire à des températures de cuisson au gril plus basses.

- Pour de meilleurs résultats, utiliser une lèchefrite et une grille (fournies sur certains modèles). Elles sont conçues pour laisser écouler les jus et empêcher les éclaboussures et la fumée.

Il est possible de commander une lèchefrite si votre modèle n'en comporte pas. Voir la section "Assistance ou service" pour placer une commande. Demandez la pièce numéro 4396923.

- Pour un écoulement approprié, ne pas couvrir la grille de papier d'aluminium. Le fond de la lèchefrite peut être garni de papier d'aluminium pour en faciliter le nettoyage.
- Couper l'excès de gras pour réduire les éclaboussures. Entailler le gras résiduel sur les côtés pour empêcher la viande de se cintrer.
- Retirer la grille jusqu'à la butée d'arrêt avant de tourner ou d'enlever les aliments. Utiliser des pinces pour tourner les aliments afin d'éviter la perte de jus. Il est possible qu'il ne soit pas nécessaire de tourner les coupes très minces de poisson, de volaille ou de viande.
- Après la cuisson au gril, sortir la lèchefrite du four en même temps que l'aliment. Ce qui reste au fond de la lèchefrite cuira si on la laisse dans le four encore chaud, rendant le nettoyage plus difficile.

Avant la cuisson au gril, placer la grille tel qu'indiqué dans le tableau de cuisson au gril. Il n'est pas nécessaire de préchauffer le four avant d'y placer l'aliment, sauf si la recette le recommande. Placer l'aliment sur la grille de la lèchefrite, puis placer celle-ci au centre de la grille du four. Fermer la porte.

Cuisson au gril :

1. Appuyer sur BROIL (cuisson au gril).
2. Appuyer sur START (mise en marche).
3. Appuyer sur OFF/CANCEL (arrêt/annulation) après avoir terminé.

Cuisson personnalisée au gril :

1. Appuyer sur BROIL (cuisson au gril).
2. Appuyer sur la touche à flèche TEMP ou TEMP/HOUR (vers le haut ou vers le bas) pour changer la température par tranches de 5° (5°C). La température de cuisson au gril peut être réglée entre 300°F (150°C) et HI (525°F [275°C]).
3. Appuyer sur START (mise en marche).
4. Appuyer sur OFF/CANCEL (arrêt/annulation) après avoir terminé.

TABLEAU DE CUISSON AU GRIL

Pour obtenir les meilleurs résultats, placer l'aliment à au moins 3" (7 cm) du brûleur du gril. Les durées de cuisson sont citées à titre indicatif seulement; on peut les régler en fonction des goûts personnels. Les positions recommandées de la grille sont indiquées de la base (1) jusqu'en haut (5). Pour le schéma, voir la section "Positionnement des grilles et des ustensiles de cuisson".

ALIMENTS	POSITION DE LA GRILLE	Durée approximative (minutes)	
		CÔTÉ 1	CÔTÉ 2
Bifteck 1" (2,5 cm) d'épaisseur			
saignant à point	4	14-15	7-8
à point	4	15-16	8-9
bien cuit	4	18-19	9-10
Galettes de viande hachée* ¾" (2 cm) d'épaisseur			
bien cuit	4	13-14	6-7
Côtelettes de porc 1" (2,5 cm) d'épaisseur	4	21-22	10-11
Tranche de jambon, précuit ½" (1,25 cm) d'épaisseur	4	8-10	4-5
Saucisses de Francfort	4	6-7	3-4
Côtelettes d'agneau 1" (2,5 cm) d'épaisseur	4	15-17	8-9
Poulet morceaux avec os	3	18-20	18-20
poitrines désossées	4	12-16	11-16
Poisson (filets) ¼-½" (0,6 à 1,25 cm) d'épaisseur	4	8-10	4-5
Poisson (darnes) ¾-1" (2 à 2,5 cm) d'épaisseur	4	15-18	7-9

*Placer jusqu'à 9 galettes, à distance égale, sur la grille de la lèchefrite.

Caractéristique Hold Warm (garder au chaud)

(sur certains modèles)

⚠ AVERTISSEMENT

Risque d'empoisonnement alimentaire

Ne pas laisser des aliments dans un four plus d'une heure avant ou après la cuisson.

Le non-respect de cette instruction peut causer un empoisonnement alimentaire ou une maladie.

IMPORTANT : Les aliments doivent être à la température de service avant d'être placés dans le four chaud. Les aliments peuvent être gardés au four jusqu'à une heure; toutefois, les pains et les mets en sauce peuvent devenir trop secs s'ils sont laissés dans le four durant la fonction Hold Warm.

La caractéristique Hold Warm permet de garder les aliments cuits chauds à la température de service. Elle peut aussi être utilisée à la fin d'une cuisson minutée.

Style 1 - Commande électronique du four

Utilisation :

1. Appuyer sur WARM.
2. Régler la température (facultatif).
Appuyer sur la touche à flèche TEMP (vers le haut ou vers le bas) pour augmenter ou réduire la température par tranches de 5°F (5°C) pour régler une température autre que 170°F (75°C). La gamme de température varie de 170°F à 200°F (75°C à 93°C).
3. Appuyer sur START (mise en marche).
4. Appuyer sur OFF/CANCEL (arrêt/annulation) après avoir terminé.

Pour ajouter à la fin d'une durée de cuisson réglée :

1. Appuyer sur BAKE (cuisson au four).
2. Régler la température (facultatif).
Appuyer sur la touche à flèche TEMP (vers le haut ou vers le bas) pour régler une température autre que 350°F (177°C).
3. Appuyer sur COOK TIME (durée de cuisson).
4. Appuyer sur les touches à flèche HOUR/MIN (vers le haut ou vers le bas) pour régler la durée de cuisson.
5. Appuyer sur WARM.
Une durée de maintien au chaud de 1 heure sera réglée automatiquement.
6. Régler la température de maintien au chaud (facultatif).
Appuyer sur la touche à flèche TEMP (vers le haut ou vers le bas) pour augmenter ou réduire la température par tranches de 5°F (5°C) pour régler une température autre que 170°F (75°C). La gamme de température varie de 170°F à 200°F (75°C à 93°C).
7. Appuyer sur START (mise en marche).
L'afficheur indique le compte à rebours de la durée de cuisson. À la fin de la durée de cuisson, l'afficheur indique une durée de maintien au chaud.
Lorsque la durée de maintien au chaud est terminée, le four s'arrête automatiquement et "End" (fin) et COOK TIME (durée de cuisson) apparaissent sur l'afficheur. Quatre signaux sonores se font entendre suivis de quatre signaux de rappel de 1 seconde à intervalles de 1 minute.

8. Appuyer sur OFF/CANCEL (arrêt/annulation) ou ouvrir la porte du four pour arrêter les signaux sonores de rappel et effacer "End" de l'afficheur. L'affichage de l'heure est rétabli.

Style 2 - Commande électronique du four

Utilisation :

1. Appuyer sur WARM.
2. La température est réglée à 170° (75°C) pendant 60 minutes.
3. Appuyer sur START (mise en marche).
4. Appuyer sur OFF/CANCEL (arrêt/annulation) après avoir terminé.

Cuisson minutée

(sur certains modèles)

⚠ AVERTISSEMENT

Risque d'empoisonnement alimentaire

Ne pas laisser des aliments dans un four plus d'une heure avant ou après la cuisson.

Le non-respect de cette instruction peut causer un empoisonnement alimentaire ou une maladie.

La cuisson minutée permet d'allumer le four à une certaine heure de la journée, de faire cuire pendant une durée réglée et/ou d'éteindre le four automatiquement. La mise en marche différée ne devrait pas être utilisée pour les aliments tels que pains et gâteaux car ils risquent de ne pas bien cuire.

Style 1 - Série Commandes électroniques du four (voir la section "Commandes électroniques du four")

Réglage d'une cuisson minutée :

1. Appuyer sur BAKE (cuisson au four) (facultatif).
2. Appuyer sur les touches à flèche TEMP (vers le haut ou vers le bas) pour entrer une température autre que celle qui est affichée.
3. Appuyer sur COOK TIME (durée de cuisson).
4. Appuyer sur les touches à flèche HR et MIN (vers le haut ou vers le bas) pour régler la durée de cuisson.
5. Appuyer sur START (mise en marche). L'afficheur procède à un compte à rebours de la durée.
Lorsque la durée est terminée, le four s'arrête automatiquement et "End" (fin) apparaît sur l'afficheur. Les signaux sonores de fin de programme se font entendre, suivis, si activés, des signaux de rappel à intervalles de 1 minute.
6. Ouvrir et fermer la porte du four pour effacer l'affichage et/ou arrêter les signaux de rappel.

Réglage d'une cuisson minutée différée :

Avant le réglage, s'assurer que l'horloge est réglée à l'heure exacte. Voir la section "Horloge".

1. Appuyer sur BAKE (cuisson) (facultatif).
2. Appuyer sur les touches à flèche TEMP (vers le haut ou vers le bas) pour entrer une température autre que celle qui est affichée.
3. Appuyer sur START TIME (heure de mise en marche).
4. Appuyer sur les touches à flèche HR et MIN (vers le haut ou vers le bas) pour entrer l'heure de mise en marche.
5. Appuyer sur COOK TIME (durée de cuisson).

6. Appuyer sur les touches à flèche HR et MIN (vers le haut ou vers le bas) pour régler la durée de cuisson.
7. Appuyer sur START (mise en marche). "DELAY" (différée), "TIMED" (minutée), "BAKE" (cuisson) et "ON" (marche) sur l'afficheur.
Lorsque l'heure de mise en marche est atteinte, le four s'allume automatiquement. Lorsque l'heure d'arrêt est atteinte (si programmée), le four s'arrête automatiquement et "End" (fin) apparaît sur l'afficheur. Les signaux sonores de fin de programme se font entendre, suivis, si activés, des signaux de rappel à intervalles de 1 minute.
8. Ouvrir et fermer la porte du four pour effacer l'affichage et/ou arrêter les signaux de rappel.

Style 2 - Série Commandes électroniques du four (voir la section "Commandes électroniques du four")

Réglage d'une cuisson minutée :

1. Appuyer sur BAKE (cuisson au four). L'indicateur lumineux de cuisson au four s'allumera.
2. Régler la température (facultatif).
3. Appuyer sur la touche à flèche TEMP/HOUR (vers le haut ou vers le bas) pour entrer une température autre que celle qui est affichée.
4. Appuyer sur COOK TIME (heure de cuisson). L'indicateur lumineux de la durée de cuisson s'allumera.
5. Appuyer sur la touche à flèche TEMP/HOUR (vers le haut ou vers le bas) pour entrer la durée de cuisson.
6. Appuyer sur START (mise en marche). L'afficheur procède à un compte à rebours de la durée. Lorsque la durée est terminée, le four s'arrête automatiquement et "End" (fin) apparaît sur l'afficheur.
7. Appuyer sur OFF/CANCEL (arrêt/annulation) ou ouvrir la porte du four pour effacer l'affichage.

Réglage d'une cuisson minutée différée :

Avant de régler, s'assurer que l'horloge est réglée à l'heure exacte. Voir la section "Horloge".

1. Appuyer sur BAKE (cuisson au four). Le témoin de cuisson au four s'allume.
2. Régler la température (facultatif).
3. Appuyer sur la touche à flèche TEMP/HOUR (vers le haut ou vers le bas) pour entrer une température autre que celle qui est affichée.
4. Appuyer sur COOK TIME (durée de cuisson). Le témoin lumineux de durée de cuisson du four s'allumera.
5. Appuyer sur la touche à flèche TEMP/HOUR (vers le haut ou vers le bas) pour entrer la durée de cuisson.
6. Appuyer sur START TIME (heure de mise en marche). Le témoin lumineux de l'heure de mise en marche/différée s'allumera.
7. Appuyer sur la touche à flèche TEMP/HOUR (vers le haut ou vers le bas) pour entrer l'heure de mise en marche.
8. Appuyer sur START/ENTER (mise en marche/entrée).
Lorsque l'heure de mise en marche est atteinte, le four s'allume automatiquement. Les réglages de température et/ou de durée peuvent être modifiés à n'importe quel moment en appuyant sur START/ENTER (mise en marche/entrée) en répétant les étapes 1 à 7. Lorsque la durée de cuisson est terminée, le four s'éteint automatiquement et "End" (fin) apparaît sur l'affichage.
9. Appuyer sur OFF/CANCEL (arrêt/annulation) ou ouvrir la porte du four pour effacer l'affichage.

ENTRETIEN DE LA CUISINIÈRE

Programme d'autonettoyage (sur certains modèles)

AVERTISSEMENT



Risque de brûlures

Ne pas toucher le four au cours du programme d'autonettoyage.

Garder les enfants loin du four au cours du programme d'autonettoyage.

Le non-respect de ces instructions peut causer des brûlures.

IMPORTANT : La santé de certains oiseaux est très sensible aux émanations qui surviennent durant le programme d'autonettoyage. L'exposition aux émanations peut entraîner la mort de certains oiseaux. Toujours déplacer les oiseaux dans une autre pièce fermée et bien aérée.

Procéder à l'autonettoyage du four avant qu'il ne devienne très sale. Les saletés intenses nécessitent un nettoyage plus long et dégagent plus de fumée.

Veiller à ce que la cuisine soit bien aérée pendant le programme d'autonettoyage afin d'aider à éliminer la chaleur, les odeurs et la fumée.

Ne pas obstruer le ou les événements du four durant le programme d'autonettoyage. L'air doit pouvoir circuler librement. Selon votre modèle, voir la section "Évent du four" ou "Événements du four".

Ne pas nettoyer, frotter, endommager ou déplacer le joint d'étanchéité de la porte du four. Le joint de la porte est essentiel pour une bonne étanchéité.

Préparation du four :

- Sortir du four la lèchefrite, la grille et les ustensiles de cuisson au four et, sur certains modèles, la sonde thermométrique.
- Enlever tout papier d'aluminium du four ; celui-ci risquerait de brûler ou de fondre et d'endommager le four.
- Sortir les grilles du four pour les garder brillantes et pour qu'elles glissent facilement. Voir la section "Nettoyage général" pour plus de renseignements.
- Nettoyer manuellement l'intérieur de la porte et une zone de 1½" (3,8 cm) sur le pourtour du cadre de la cavité du four, en prenant soin de ne pas déplacer ni plier le joint d'étanchéité. Cette section ne devient pas assez chaude au cours du programme d'autonettoyage pour pouvoir éliminer la saleté. Ne pas laisser de l'eau, un nettoyant, etc. pénétrer dans les fentes du cadre de la porte. Nettoyer cette zone avec un chiffon humide.
- Essuyer toute saleté décollée afin de réduire la fumée et d'éviter les dommages. À des températures élevées, les aliments réagissent avec la porcelaine. Cette réaction peut causer des taches, des attaques, des piqûres ou de légères taches blanches. Ceci n'affectera pas la performance de cuisson.

Comment fonctionne le programme

IMPORTANT : Le chauffage et le refroidissement de la porcelaine sur l'acier dans le four peuvent causer une décoloration, une perte de fini luisant, des fissures minuscules et des craquements. Avant l'autonettoyage, vérifier que la porte est complètement fermée sinon elle ne se verrouillera pas et le programme d'autonettoyage ne commencera pas.

Ne pas essayer les surfaces internes avant que le four ait complètement refroidi. L'application d'un chiffon froid humide sur le hublot de la porte interne avant qu'il ait complètement refroidi risquerait de faire casser le verre.

Pour arrêter le programme d'autonettoyage à tout moment, appuyer sur la touche OFF/CANCEL (arrêt/annulation). Si la température est trop élevée, la porte du four reste verrouillée et "cool" et "locked" s'affichent.

La lampe du four ne fonctionne pas durant le programme d'autonettoyage.

Style 1 - Commande électrique du four

La durée du programme AUTO-CLEAN est réglable entre 2 h 30 et 4 h 30 par tranches de 15 minutes. Les durées de nettoyage suggérées sont de 2 h 30 pour des saletés légères et de 4 h 30 pour des saletés abondantes. Pendant les 30 dernières minutes du programme, le four refroidit.

Le four s'éteint automatiquement une fois le nettoyage terminé. La porte ne se déverrouille pas tant que le four n'a pas refroidi.

L'autonettoyage ne peut fonctionner qu'une fois par période de 12 heures. Si un programme d'autonettoyage est annulé une fois que le four a atteint la température, vous devrez attendre 12 heures avant de le remettre en marche.

Autonettoyage à l'aide du programme AUTO-CLEAN

1. Appuyer sur AUTO CLEAN (nettoyage automatique).
2. Appuyer sur les touches à flèche HOUR et MIN (vers le haut ou vers le bas) pour régler la durée du programme d'autonettoyage désirée.
3. Appuyer sur START (mise en marche).
La porte du four se verrouille automatiquement. "CLn", "LOCKED", "ON", "CLEAN", l'icône de verrouillage de la table de cuisson et la durée résiduelle s'affichent.
4. Lorsque le programme d'autonettoyage est terminé, "END" (fin) s'affiche, et "PUSH"/"OFF" (enfoncer/arrêt) clignotent alternativement.
5. Appuyer sur OFF/CANCEL (arrêt/annulation).
"LOCKED", "END" et l'icône de verrouillage de la table de cuisson disparaissent de l'afficheur. "PUSH"/"OFF" cesse de clignoter et l'horloge indique l'heure.
6. Une fois que le four a complètement refroidi, retirer la cendre avec un chiffon humide.

Autonettoyage différé à l'aide du programme AUTO-CLEAN

1. Appuyer sur AUTO CLEAN (nettoyage automatique).
2. Appuyer sur les touches à flèche HOUR et MIN (vers le haut ou vers le bas) pour régler la durée du programme d'autonettoyage désirée.
3. Appuyer sur START TIME (heure de mise en marche).

4. Appuyer sur les touches à flèche HOUR et MIN (vers le haut ou vers le bas) pour régler l'heure de mise en marche désirée.
5. Appuyer sur START (mise en marche).
La porte du four se verrouille automatiquement. "DELAY", "LOCKED", "CLEAN", "ON" et l'icône de verrouillage de la table de cuisson s'affichent.
6. Lorsque le programme d'autonettoyage est terminé, "END" (fin) s'affiche, et "PUSH"/"OFF" (enfoncer/arrêt) clignotent alternativement.
7. Appuyer sur OFF/CANCEL (arrêt/annulation).
"LOCKED", "END" et l'icône de verrouillage de la table de cuisson disparaissent de l'afficheur. "PUSH"/"OFF" cesse de clignoter et l'horloge indique l'heure.
8. Une fois que le four a complètement refroidi, retirer la cendre avec un chiffon humide.

Style 2 - Commande électrique du four

La durée du programme AUTO-CLEAN est réglable entre 2 h 30 et 4 h 30 par tranches de 15 minutes. Les durées de nettoyage suggérées sont de 2 h 30 pour des saletés légères et de 4 h 30 pour des saletés abondantes. Pendant les 30 dernières minutes du programme, le four refroidit.

Autonettoyage à l'aide du programme AUTO-CLEAN

1. Appuyer sur AUTO CLEAN (nettoyage automatique).
2. Appuyer sur les touches à flèche TEMP/HOUR (vers le haut ou vers le bas) pour régler la durée du programme d'autonettoyage désirée.
3. Appuyer sur START (mise en marche).
La porte du four se verrouille automatiquement. Les témoins lumineux "DOOR LOCKED" et "CLEAN" s'allument. La durée résiduelle est également affichée.
4. Lorsque le programme d'autonettoyage est terminé et que le four est froid, les témoins lumineux "DOOR LOCKED" et "CLEAN" s'éteignent.
5. Une fois que le four a complètement refroidi, retirer la cendre avec un chiffon humide.

Autonettoyage différé à l'aide du programme AUTO-CLEAN

1. Appuyer sur AUTO CLEAN (nettoyage automatique).
2. Appuyer sur les touches à flèche TEMP/HOUR (vers le haut ou vers le bas) pour régler la durée du programme d'autonettoyage désirée.
3. Appuyer sur START TIME (heure de mise en marche).
4. Appuyer sur les touches à flèche TEMP/HOUR (vers le haut ou vers le bas) pour régler l'heure de mise en marche désirée.
5. Appuyer sur START (mise en marche).
La porte du four se verrouille automatiquement. Les témoins lumineux "DOOR LOCKED" et "CLEAN" s'allument.
6. Lorsque le programme d'autonettoyage est terminé et que le four est froid, les témoins lumineux "DOOR LOCKED" et "CLEAN" s'éteignent.
7. Une fois que le four a complètement refroidi, retirer la cendre avec un chiffon humide.

Nettoyage général

IMPORTANT : Avant le nettoyage, s'assurer que toutes les commandes sont désactivées et que le four et la table de cuisson sont refroidis. Toujours suivre les instructions sur les étiquettes des produits nettoyants. Ne pas essuyer les surfaces internes avant que le four ait complètement refroidi. L'application d'un chiffon froid humide sur le hublot de la porte interne avant qu'il ait complètement refroidi risquerait de faire casser le verre.

Du savon, de l'eau et un linge doux ou une éponge sont recommandés, à moins d'indication contraire.

SURFACES EXTERNES EN ÉMAIL VITRIFIÉ (sur certains modèles)

Les renversements d'aliments contenant des produits acides, tels que vinaigre et tomates, doivent être nettoyés dès que l'ensemble de l'appareil est refroidi. Ces renversements peuvent affecter le fini.

Méthode de nettoyage :

- Nettoyant à vitre, nettoyant doux liquide ou tampon à récurer non abrasif :

Nettoyer doucement autour de la plaque signalétique des numéros de modèle et de série car le frottement pourrait en effacer les chiffres.

- Nettoyant tout-usage pour appareil ménager - Pièce n° 31662B (non incluse) :
Voir la section "Assistance ou service" pour placer une commande.

ACIER INOXYDABLE (sur certains modèles)

Pour éviter d'endommager les surfaces en acier inoxydable, ne pas utiliser de tampons de récurage savonneux, nettoyants abrasifs, crème à polir pour table de cuisson, tampons en laine d'acier, chiffons de lavage rudes ou certains essuie-tout.

Frotter dans la direction du grain pour éviter les dommages.

Méthode de nettoyage :

- Nettoyant et poli pour acier inoxydable - Pièce n° 31462B (non incluse) :
Voir la section "Assistance ou service" pour passer une commande.
- Détergent liquide ou nettoyant tout-usage :
Rincer à l'eau propre et sécher avec un chiffon doux sans charpie.
- Vinaigre pour les taches d'eau dure.

PEINTURE MÉTALLIQUE (sur certains modèles)

Ne pas utiliser de nettoyants abrasifs, de nettoyants javellisés, de produits antirouille, d'ammoniaque ou d'hydroxyde de sodium car la surface peinte pourrait se tacher.

BOUTONS DE COMMANDES DE LA TABLE DE CUISSON

Ne pas utiliser de la laine d'acier ou des produits de nettoyage abrasifs ou un nettoyant pour four.

Ne pas faire tremper les boutons. Lors de la réinstallation des boutons, s'assurer que chaque bouton est à la position d'arrêt (Off).

Sur certains modèles, ne pas enlever les joints sous les boutons.

Méthode de nettoyage :

- Savon et eau ou lave-vaisselle :

Tirer les boutons directement hors du tableau de commande pour les enlever.

TABLEAU DE COMMANDE

Ne pas utiliser des nettoyants abrasifs, tampons en laine d'acier, chiffons de lavage rudes ou certains essuie-tout en papier. Des dommages peuvent survenir.

Méthode de nettoyage :

- Un nettoyant à vitre, un linge doux ou une éponge :

Appliquer le nettoyant à vitre sur un linge doux ou une éponge, et non pas directement sur le tableau.

- Nettoyant tout-usage pour appareil ménager - Pièce n° 31662B (non incluse) :

Voir la section "Assistance ou service" pour placer une commande.

GRILLES ET CHAPEAUX ÉMAILLÉS

Les renversements d'aliments contenant des acides, tels que le vinaigre et les tomates, doivent être nettoyés aussitôt que la table de cuisson, les grilles et les chapeaux sont refroidis. Ces renversements peuvent affecter le fini.

Pour éviter l'écaillage, ne pas entrechoquer les grilles et les chapeaux ni les frapper contre des surfaces dures telles que les ustensiles en fonte.

Ne pas réinstaller les chapeaux sur les brûleurs quand ils sont mouillés.

Ne pas les nettoyer au moyen du programme d'autonettoyage.

Méthode de nettoyage :

- Tampon à récurer en plastique non abrasif et nettoyant liquide doux légèrement abrasif :

Nettoyer dès que la table de cuisson, les grilles et les chapeaux sont refroidis.

- Lave-vaisselle (grilles seulement, pas les chapeaux) :

Utiliser le programme le plus intensif. Les saletés cuites doivent être trempées ou frottées avant d'être placées au lave-vaisselle.

- Nettoyant pour la grille et cuvette à gaz - Pièce n° 31617B :
Voir la section "Assistance ou service" pour placer une commande.

BRÛLEURS DE SURFACE

Voir la section "Brûleurs de surface scellés".

EXTÉRIEUR DE LA PORTE DU FOUR

Méthode de nettoyage :

- Nettoyant à vitre et chiffon doux ou éponge :

Appliquer le nettoyant à vitre sur un chiffon doux ou une éponge, et non pas directement sur le tableau.

- Nettoyant tout-usage pour appareil ménager - Pièce n° 31662B (non incluse) :

Voir la section "Assistance ou service" pour placer une commande.

CAVITÉ DU FOUR

Ne pas utiliser les nettoyants à four.

Les renversements d'aliments doivent être nettoyés lorsque le four est refroidi. Aux températures élevées, l'aliment réagit avec la porcelaine et des taches, éclats, piqûres ou marques blanchâtres peuvent survenir.

Méthode de nettoyage :

- Programme d'autonettoyage : Voir d'abord "Programme d'autonettoyage".

GRILLES DU FOUR ET DE RÔTISSAGE

Méthode de nettoyage :

- Programme d'autonettoyage :

Voir d'abord "Programme d'autonettoyage". Ôter les grilles sinon elles se décoloreront et deviendront plus difficiles à glisser. Le cas échéant, un léger revêtement d'huile végétale appliqué sur les glissières des grilles les aidera à mieux glisser.

- Tampon en laine d'acier

LÈCHEFRITE ET GRILLE (sur certains modèles)

Ne pas nettoyer au moyen du programme d'autonettoyage.

Méthode de nettoyage :

- Nettoyant légèrement abrasif :

Frotter avec un tampon à récurer mouillé.

- Solution de ½ tasse (125 mL) d'ammoniaque pour 1 gallon (3,75 L) d'eau :

Laisser tremper pendant 20 minutes, ensuite frotter avec un tampon à récurer ou en laine d'acier.

- Nettoyant pour four :

Suivre le mode d'emploi sur l'étiquette du produit.

Émail vitrifié seulement, non le chrome

- Lave-vaisselle

TIROIR DE REMISAGE (sur certains modèles)

Veiller à ce que le tiroir soit froid et vide avant de le nettoyer.

Pour plus d'information, voir la section "Tiroir de remisage".

Méthode de nettoyage :

- Détergent doux

Doubleur de tiroir (sur certains modèles)

Sortir tous les articles du tiroir et soulever la doublure hors du tiroir.

- Nettoyer avec un détergent doux.
- Nettoyant tout-usage pour appareil ménager – Pièce n° 31662B (non incluse) : Voir la section "Assistance ou service" pour placer une commande.

TIROIR-RÉCHAUD ET PLATEAU (sur certains modèles)

Veiller à ce que le tiroir soit froid et enlever le plateau.

Méthode de nettoyage :

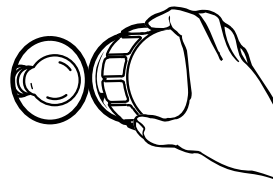
- Détergent doux (pour les deux).
- Nettoyant tout-usage pour appareil ménager. Pièce n° 31662B (non incluse). Voir la section "Assistance ou service" pour placer une commande.

Lampe du four

La lampe du four est une ampoule standard de 40 watts pour appareil ménager. Avant le remplacement, s'assurer que le four et la table de cuisson sont froids et que les boutons de commande sont à la position off (arrêt).

Pour réinstaller :

1. Débrancher la cuisinière ou déconnecter la source de courant électrique.
2. Tourner dans le sens inverse des aiguilles d'une montre le couvercle en verre de l'ampoule à l'arrière du four et l'enlever.



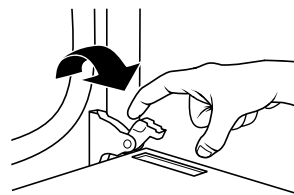
3. Tourner l'ampoule dans le sens inverse des aiguilles d'une montre et l'enlever de la douille.
4. Remplacer l'ampoule et replacer le couvercle de l'ampoule en le tournant dans le sens des aiguilles d'une montre.
5. Brancher la cuisinière ou reconnecter la source de courant électrique.

Porte du four

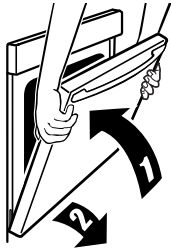
Il n'est pas recommandé d'enlever la porte du four pour une utilisation normale. Toutefois, si la dépose est nécessaire, s'assurer que le four est éteint et froid. Puis, suivre ces instructions. La porte du four est lourde.

Dépose :

1. Ouvrir la porte du four complètement.
2. Relever le verrou de charnière de chaque côté.



3. Fermer la porte du four aussi loin qu'elle peut aller.
4. Soulever la porte du four en la retenant de chaque côté.
Continuer de maintenir la porte du four fermée et la dégager du châssis de la porte du four.



Réinstallation :

1. Insérer les deux bras de suspension dans la porte.



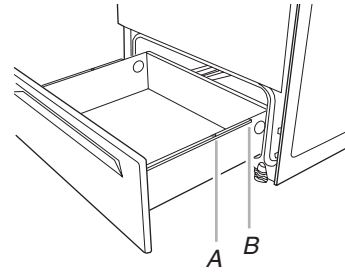
2. Ouvrir la porte du four.
Vous devriez entendre un déclic lors de la mise en place de la porte.
3. Remettre les leviers des charnières à la position verrouillée. Effectuer quelques manœuvres d'ouverture/fermeture de la porte du four pour vérifier le bon fonctionnement. En cas d'impossibilité d'ouverture ou de fermeture parfaite de la porte, répéter le processus de dépose et d'installation de la porte.

Tiroir de remisage

Le tiroir de remisage peut être enlevé. Avant de l'enlever, s'assurer que le tiroir est froid et vide.

Dépose :

1. Tirer le tiroir de remisage en ligne droite au-delà de l'encoche de la butée de tiroir et de l'extrémité des rails latéraux.

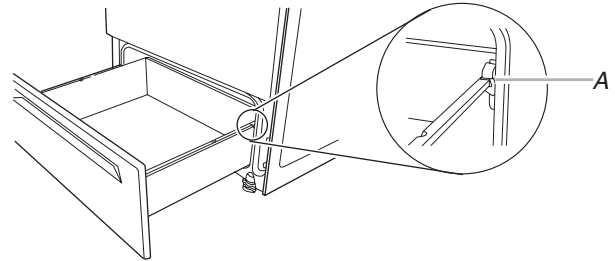


A. Encoche de la butée de tiroir
B. Extrémité du rail latéral

2. Soulever l'arrière du tiroir et retirer ce dernier.

Réinstallation :

1. Soulever l'arrière du tiroir et le placer dans la cuisinière, dans sa position la plus avancée.
2. Soulever l'avant du tiroir jusqu'à ce que ce dernier soit de niveau.
3. Pousser le tiroir lentement dans la cuisinière jusqu'à ce que les rails latéraux du tiroir s'engagent dans les ouvertures des glissières du tiroir.



A. Engager la glissière du tiroir

4. Une fois complètement engagé des deux côtés, glisser le tiroir en position fermée.

REMARQUE : Lors de la dépose et de la réinstallation du tiroir de remisage, il peut s'avérer nécessaire d'exercer une légère pression pour déplacer l'encoche de la butée de tiroir au-delà des glissières du tiroir.

DÉPANNAGE

Essayer les solutions suggérées ici d'abord afin d'éviter le coût d'une visite de service non nécessaire.

Rien ne fonctionne

- **Le cordon d'alimentation est-il débranché?**
Brancher dans une prise à 3 alvéoles reliée à la terre.
- **Un fusible est-il grillé ou le disjoncteur s'est-il ouvert?**
Remplacer le fusible ou réenclencher le disjoncteur. Si le problème persiste, appeler un électricien.
- **Le robinet principal d'arrêt ou de réglage du gaz est-il à la position fermée?**
Voir les instructions d'installation.
- **La cuisinière est-elle bien raccordée à la canalisation de gaz?**
Contacter un technicien de réparation qualifié ou voir les instructions d'installation.

Les brûleurs de surface ne fonctionnent pas

- **Le verrouillage de la table de cuisson est-il réglé?**
Voir la section "Verrouillage de la table de cuisson".
- **Le four est-il en mode d'autonettoyage?**
Les brûleurs de surface ne fonctionnent pas pendant le programme d'autonettoyage.
- **L'autonettoyage différé est-il réglé?**
Les brûleurs de surface ne fonctionnent pas tant que le programme d'autonettoyage n'est pas terminé.
- **Le bouton de commande est-il bien réglé?**
Pousser sur le bouton avant de le tourner à un réglage.
- **Est-ce la première fois que les brûleurs de surface sont utilisés?**
Tourner n'importe lequel des boutons de brûleur de surface pour libérer l'air des canalisations de gaz.
- **Les orifices du brûleur sont-ils obstrués?**
Voir la section "Brûleurs de surface scellés".

Les flammes du brûleur de surface ne sont pas uniformes, sont de teinte jaune et/ou sont bruyantes

- **Les orifices du brûleur sont-ils obstrués?**
Voir la section "Brûleurs de surface scellés".
- **Sur les modèles avec chapeau, les chapeaux de brûleur sont-ils installés correctement?**
Voir la section "Brûleurs de surface scellés".
- **Utilise-t-on du gaz propane?**
Il est possible que l'appareil n'ait pas été converti convenablement. Contacter un technicien d'entretien qualifié ou voir la section "Assistance ou service".

Le brûleur de surface émet des bruits d'éclatement

- **Le brûleur est-il mouillé?**
Le laisser sécher.

Chaleur excessive autour des ustensiles de cuisson sur la table de cuisson

- **L'ustensile est-il de dimension appropriée?**
Utiliser un ustensile de cuisson à peu près de la même dimension que la surface de cuisson, de l'élément ou du brûleur de surface. L'ustensile de cuisson ne doit pas dépasser de plus de 1/2" (1,3 cm) hors de la surface de cuisson.

Les résultats de la table de cuisson ne sont pas ceux espérés

- **Un ustensile de cuisson approprié a-t-il été employé?**
Voir la section "Ustensiles de cuisson".
- **Le bouton de commande est-il réglé au niveau approprié de chaleur?**
Voir la section "Commandes de la table de cuisson".
- **L'appareil est-il d'aplomb?**
Régler l'aplomb de l'appareil. Voir les Instructions d'installation.

Le four ne fonctionne pas

- **Est-ce la première fois qu'on utilise le four?**
Tourner n'importe lequel des boutons de brûleur de surface pour libérer l'air des canalisations de gaz.
- **Les commandes électroniques du four sont-elles réglées correctement?**
Voir la section "Commandes électroniques du four".
- **Sur certains modèles, le verrouillage des commandes est-il réglé?**
Voir la section "Verrouillage des commandes".

Les flammes du brûleur du four sont jaunes ou bruyantes

- **Utilise-t-on du gaz propane?**
Il est possible que l'appareil n'ait pas été converti convenablement. Contacter un technicien d'entretien qualifié ou voir la section "Assistance ou service".

Le ventilateur de refroidissement fonctionne pendant la cuisson au four, la cuisson au gril ou le nettoyage

- Il est normal que le ventilateur se mette automatiquement en marche lorsque le four fonctionne pour refroidir les commandes électroniques.

La température du four est trop élevée ou trop basse

- **Le calibrage de la température du four a-t-il besoin d'être ajusté?**

Voir "Commande de la température du four".

L'afficheur indique des messages

- **L'afficheur présente-t-il l'heure clignotante?**

Une panne de courant est survenue. Effacer l'affichage. Voir la section "Affichage(s)". Sur certains modèles, régler de nouveau l'horloge, si nécessaire. Voir la section "Horloge".

- **L'afficheur montre-t-il une lettre suivie par un chiffre?**

Selon votre modèle, appuyer sur OFF/CANCEL (arrêt/annulation), OFF (arrêt) ou CANCEL/OFF (annulation/arrêt) pour effacer l'affichage. Voir la section "Affichage(s)". Si le message réapparaît, faire un appel de service. Voir la section "Assistance ou service".

- **L'afficheur présente-t-il "PUSH?" ou "START?"?**

Voir la section "Mise en marche" dans la section "Commandes électroniques du four".

Le programme d'autonettoyage ne fonctionne pas

- **La porte du four est-elle ouverte?**

Fermer complètement la porte du four.

- **La fonction a-t-elle été entrée?**

Voir la section "Programme d'autonettoyage".

- **Sur certains modèles, une mise en marche différée du programme d'autonettoyage a-t-elle été réglée?**

Voir la section "Programme d'autonettoyage".

- **Une mise en marche différée a-t-elle été réglée?**

Voir la section "Cuisson minutée".

- **Un programme d'autonettoyage a-t-il fonctionné dans les dernières 12 heures?**

Si un programme d'autonettoyage a fonctionné ou été annulé une fois que le four a atteint la température, vous devez attendre 12 heures avant de le remettre en marche.

Les résultats de cuisson au four ne sont pas ceux espérés

- **L'appareil est-il d'aplomb?**

Régler l'aplomb de l'appareil. Voir les Instructions d'installation.

- **La température correcte est-elle réglée?**

Vérifier de nouveau la recette dans un livre de recettes fiable.

- **Le calibrage de la température du four est-il réglé correctement?**

Voir la section "Commande de la température du four".

- **Le four a-t-il été préchauffé?**

Voir la section "Cuisson au four et rôtissage".

- **Le bon ustensile de cuisson a-t-il été employé?**

Voir la section "Ustensiles de cuisson".

- **Les grilles sont-elles en bonne position?**

Voir la section "Positionnement des grilles et des ustensiles de cuisson".

- **Existe-t-il une circulation d'air appropriée autour des ustensiles de cuisson?**

Voir la section "Positionnement des grilles et des ustensiles de cuisson".

- **La pâte est-elle répartie uniformément dans le plat?**

Vérifier pour s'assurer que la pâte est à niveau dans le plat.

- **La durée appropriée de cuisson a-t-elle été utilisée?**

Ajuster la durée de cuisson.

- **La porte du four a-t-elle été ouverte pendant la cuisson?**

En ouvrant la porte pour vérifier la cuisson, la chaleur du four s'échappe, ce qui peut demander des durées de cuisson plus longues.

- **Les articles cuits au four sont-ils trop bruns à la base?**

Déplacer la grille à une position plus élevée dans le four.

- **Les bords des croûtes à tarte ont-ils bruni trop tôt?**

Utiliser du papier d'aluminium pour couvrir le bord de la croûte et/ou réduire la température de cuisson du four.

ASSISTANCE OU SERVICE

Avant de faire un appel pour assistance ou service, consulter la section “Dépannage”. Ce guide peut vous faire économiser le coût d’une visite de service. Si vous avez encore besoin d’aide, suivre les instructions ci-dessous.

Lors d’un appel, veuillez connaître la date d’achat, le numéro de modèle et le numéro de série au complet de l’appareil. Ces renseignements nous aideront à mieux répondre à votre demande.

Si vous avez besoin de pièces de rechange

Si vous avez besoin de commander des pièces de rechange, nous vous recommandons d’employer uniquement des pièces de rechange FSP®. Les pièces de rechange FSP® conviendront et fonctionneront bien parce qu’elles sont fabriquées avec la même précision utilisée dans la fabrication de chaque nouvel appareil WHIRLPOOL®.

Pour obtenir des pièces de rechange FSP® dans votre région, nous contacter ou appeler le Centre de service désigné de Whirlpool le plus proche.

Veuillez appeler sans frais le Centre d’interaction avec la clientèle de Whirlpool Canada LP au : **1-800-807-6777**.

Nos consultants vous renseigneront sur les sujets suivants :

- Caractéristiques et spécifications sur toute notre gamme d’appareils électroménagers.
- Consignes d’utilisation et d’entretien.
- Ventes d’accessoires et pièces de rechange.
- Références aux marchands locaux, aux distributeurs de pièces de rechange et aux compagnies de service. Les techniciens de service désignés par Whirlpool Canada LP sont formés pour remplir la garantie des produits et fournir un service après la garantie, partout au Canada.

Pour plus d’assistance

Si vous avez besoin de plus d’assistance, vous pouvez soumettre par écrit toute question ou préoccupation à Whirlpool Canada LP à l’adresse suivante :

Centre d’interaction avec la clientèle
Whirlpool Canada LP
1901 Minnesota Court
Mississauga, Ontario L5N 3A7

Veuillez inclure dans votre correspondance un numéro de téléphone où on peut vous joindre dans la journée.

Accessoires

Nettoyant et poli pour acier inoxydable

(modèles en acier inoxydable)

Commander la pièce n° 31462B

Nettoyant tout-usage pour appareils ménagers

Commander la pièce n° 31662B

Nettoyant pour la grille et cuvette à gaz

Commander la pièce n° 31617B.

GARANTIE DES GROS APPAREILS MÉNAGERS WHIRLPOOL CORPORATION

GARANTIE LIMITÉE

Pendant un an à compter de la date d'achat, lorsque ce gros appareil ménager est utilisé et entretenu conformément aux instructions jointes à ou fournies avec le produit, Whirlpool Corporation ou Whirlpool Canada LP (ci-après désignées "Whirlpool") paiera pour les pièces spécifiées par l'usine et la main-d'œuvre pour corriger les vices de matériaux ou de fabrication. Le service doit être fourni par une compagnie de service désignée par Whirlpool. Cette garantie limitée est valide uniquement aux États-Unis ou au Canada et s'applique exclusivement lorsque l'appareil est utilisé dans le pays où il a été acheté. À l'extérieur du Canada et des 50 États des États-Unis, cette garantie limitée ne s'applique pas. Une preuve de la date d'achat original est exigée pour obtenir un service dans le cadre de la présente garantie limitée.

ARTICLES EXCLUS DE LA GARANTIE

La présente garantie limitée ne couvre pas :

1. Les visites de service pour rectifier l'installation du gros appareil ménager, montrer à l'utilisateur comment utiliser l'appareil, remplacer ou réparer des fusibles ou rectifier le câblage ou la plomberie du domicile.
2. Les visites de service pour réparer ou remplacer les ampoules électriques de l'appareil, les filtres à air ou les filtres à eau. Les pièces consommables ne sont pas couvertes par la garantie.
3. Les réparations lorsque le gros appareil ménager est utilisé à des fins autres que l'usage unifamilial normal ou lorsque les instructions d'installation et/ou les instructions de l'opérateur ou de l'utilisateur fournies ne sont pas respectées.
4. Les dommages imputables à : accident, modification, usage impropre ou abusif, incendie, inondation, actes de Dieu, installation fautive ou installation non conforme aux codes d'électricité ou de plomberie, ou l'utilisation de pièces consommables ou de produits nettoyants non approuvés par Whirlpool.
5. Les défauts apparents, notamment les éraflures, les bosses, fissures ou tout autre dommage au fini du gros appareil ménager, à moins que ces dommages soient dus à des vices de matériaux ou de fabrication et soient signalés à Whirlpool dans les 30 jours suivant la date d'achat.
6. Toute perte d'aliments due à une défaillance du réfrigérateur ou du congélateur.
7. Les coûts associés au transport du gros appareil ménager du domicile pour réparation. Ce gros appareil ménager est conçu pour être réparé à domicile et seul le service à domicile est couvert par la présente garantie.
8. Les réparations aux pièces ou systèmes résultant d'une modification non autorisée faite à l'appareil.
9. Les frais de transport pour le service d'un produit si votre gros appareil est situé dans une région éloignée où un service d'entretien Whirlpool autorisé n'est pas disponible.
10. La dépose et la réinstallation de votre gros appareil si celui-ci est installé dans un endroit inaccessible ou n'est pas installé conformément aux instructions d'installation fournies.
11. Les gros appareils ménagers dont les numéros de série et de modèle originaux ont été enlevés, modifiés ou qui ne peuvent pas être facilement identifiés. La présente garantie est nulle si le numéro de série d'usine a été modifié ou enlevé du gros appareil ménager.

Le coût d'une réparation ou des pièces de rechange dans le cadre de ces circonstances exclues est à la charge du client.

CLAUDE D'EXONÉRATION DE RESPONSABILITÉ AU TITRE DES GARANTIES IMPLICITES; LIMITATION DES RECOURS

LE SEUL ET EXCLUSIF RECOURS DU CLIENT DANS LE CADRE DE LA PRÉSENTE GARANTIE LIMITÉE CONSISTE EN LA RÉPARATION PRÉVUE CI-DESSUS. LES GARANTIES IMPLICITES, Y COMPRIS LES GARANTIES APPLICABLES DE QUALITÉ MARCHANDE ET D'APTITUDE À UN USAGE PARTICULIER, SONT LIMITÉES À UN AN OU À LA PLUS COURTE PÉRIODE AUTORISÉE PAR LA LOI. WHIRLPOOL N'ASSUME AUCUNE RESPONSABILITÉ POUR LES DOMMAGES FORTUITS OU INDIRECTS. CERTAINES JURIDICTIONS NE PERMETTENT PAS L'EXCLUSION OU LA LIMITATION DES DOMMAGES FORTUITS OU INDIRECTS, OU LES LIMITATIONS DE LA DURÉE DES GARANTIES IMPLICITES DE QUALITÉ MARCHANDE OU D'APTITUDE À UN USAGE PARTICULIER, DE SORTE QUE CES EXCLUSIONS OU LIMITATIONS PEUVENT NE PAS S'APPLIQUER DANS VOTRE CAS. CETTE GARANTIE VOUS CONFÈRE DES DROITS JURIDIQUES SPÉCIFIQUES ET VOUS POUVEZ ÉGALEMENT JOUIR D'AUTRES DROITS QUI PEUVENT VARIER D'UNE JURIDICTION À UNE AUTRE.

À l'extérieur du Canada et des 50 États des États-Unis, cette garantie ne s'applique pas. Contactez votre marchand Whirlpool autorisé pour déterminer si une autre garantie s'applique.

Si vous avez besoin de service, voir d'abord la section "Dépannage" du Guide d'utilisation et d'entretien. Après avoir vérifié la section "Dépannage", de l'aide supplémentaire peut être trouvée en vérifiant la section "Assistance ou service" ou en appelant Whirlpool. Aux É.-U., composer le **1-800-253-1301**. Au Canada, composer le **1-800-807-6777**. 9/07

Conservez ce manuel et votre reçu de vente ensemble pour référence ultérieure. Pour le service sous garantie, vous devez présenter un document prouvant la date d'achat ou d'installation.

Inscrivez les renseignements suivants au sujet de votre gros appareil ménager pour mieux vous aider à obtenir assistance ou service en cas de besoin. Vous devrez connaître le numéro de modèle et le numéro de série au complet. Vous trouverez ces renseignements sur la plaque signalétique située sur le produit.

Nom du marchand _____

Adresse _____

Numéro de téléphone _____

Numéro de modèle _____

Numéro de série _____

Date d'achat _____

W10162212A

© 2007 Whirlpool Corporation.
All rights reserved.
Tous droits réservés.

© Registered Trademark/TM Trademark of Whirlpool, U.S.A., Whirlpool Canada LP Licensee in Canada
© Marque déposée/TM Marque de commerce de Whirlpool, U.S.A., emploi sous licence par Whirlpool Canada LP au Canada

10/07
Printed in U.S.A.
Imprimé aux É.-U.