



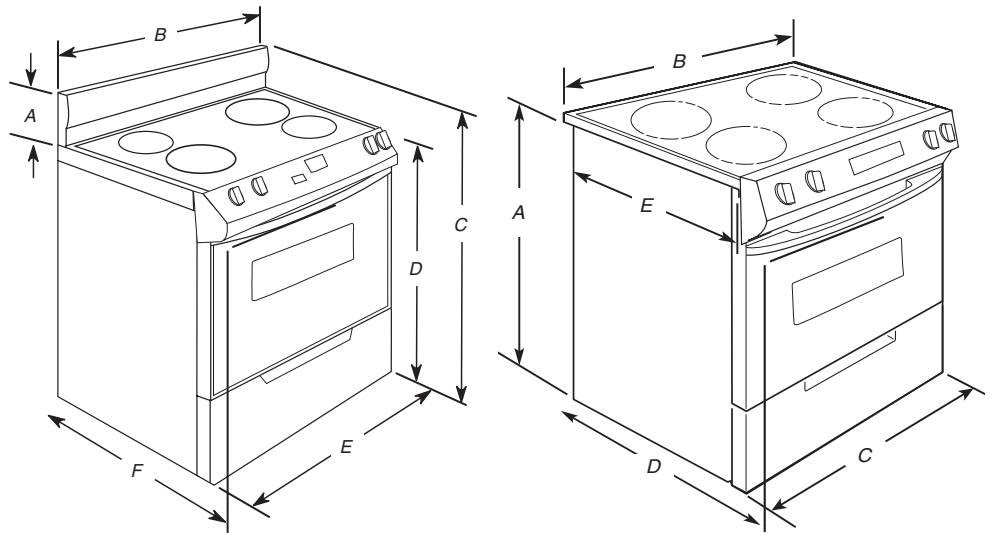
30" Freestanding and Slide-In Electric Range

PRODUCT MODEL NUMBERS

GY396LXP
GY398LXP

Electrical: When a 4-wire or 3-wire, single phase 120/240 volt, 60 Hz, AC only electrical supply is available, a 50-amp maximum circuit protection is required (or, if specified on the model/serial rating plate, when a 4-wire or 3-wire single phase 120/208 volt 60 Hz, AC only electrical supply is available, a 40-amp maximum circuit protection is required), fused on both sides of the line. A time-delay fuse or circuit breaker is recommended. The model/serial rating plate is located on the oven frame behind the storage drawer panel.

OVERALL DIMENSIONS

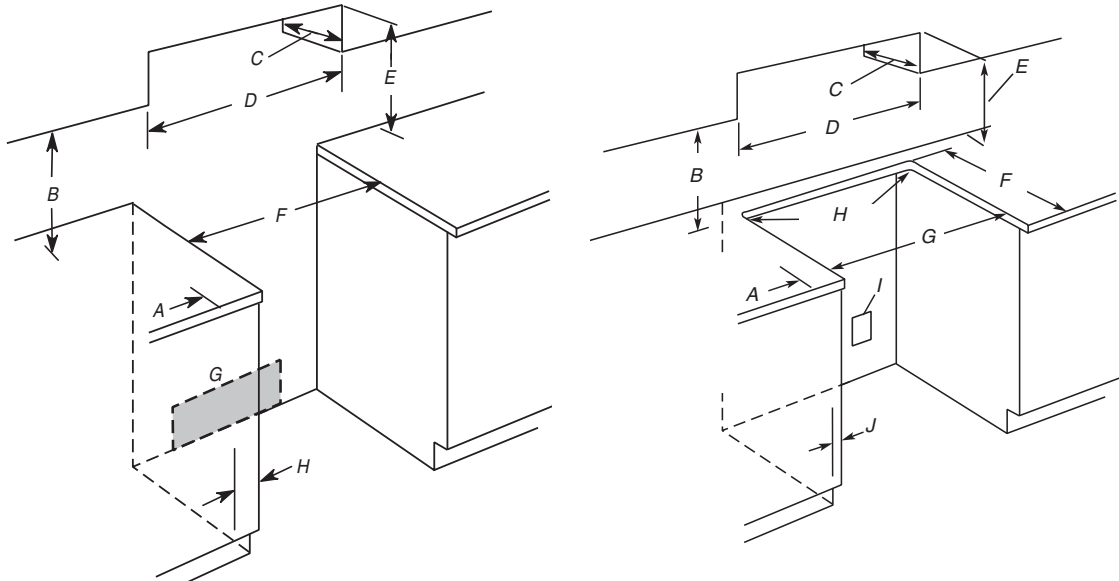


A. 7⁷/₈" (20 cm)
B. 30" (76.2 cm)
C. 43⁷/₈" (111.4 cm) overall height
D. 36" (91.4 cm) cooktop height with leveling legs lowered 1¹/₂ turns
E. 30" (76.2 cm)
F. 27" (68.6 cm) to handle*

A. 35³/₈" (90.5 cm) cooktop height with leveling legs lowered 1¹/₂ turns
B. 30 1¹/₁₆" (77.9 cm)
C. 30" (76.2 cm)
D. 27" (68.6 cm)*
E. 23¹/₂" (59.8 cm)

*When installed in a 24" (61 cm) base cabinet with 25" (63.5 cm) countertop; front of oven door protrudes 1¹/₈" (4.8 cm) beyond 24" (61 cm) base cabinet.

CABINET OPENING DIMENSIONS



A. 4" (10.2 cm) min. clearance from both sides of range to side wall or other combustible material
B. 18" (45.7 cm) upper cabinet to countertop
C. 13" (33 cm) max. upper cabinet depth
D. 30" (76.2 cm) min. opening width

E. For minimum clearance to the top of the cooktop, see NOTE*.
F. 30" (76.2 cm) min. opening width
G. Junction box - 8" (20.3 cm) to 22" (55.9 cm) from either cabinet, 7" (17.8 cm) max. from door
H. 7¹/₈" (2.2 cm) min. required between cutout and cabinet door or hinge

A. 4" (10.2 cm) min. clearance from both sides of range to side wall or other combustible material
B. 18" (45.7 cm) upper cabinet to countertop
C. 13" (33 cm) max. upper cabinet depth
D. 30" (76.2 cm) min. opening width
E. For minimum clearance to the top of the cooktop, see NOTE*.

F. 22³/₄" (57.8 cm) opening depth
G. 30" (76.2 cm) min. opening width
H. 1¹/₄" (6.2 cm) radius both corners
I. Junction box - 8" (20.3 cm) to 22" (55.9 cm) from either cabinet, 7" (17.8 cm) max. from door
J. 7¹/₈" (2.2 cm) min. required between cutout and cabinet door or hinge

***NOTE:** 24" (61 cm) minimum when bottom of wood or metal cabinet is protected by not less than 1¹/₄" (0.64 cm) flame retardant millboard covered with not less than No. 28 MSG sheet steel, 0.015" (0.4 mm) stainless steel, 0.024" (0.6 mm) aluminum or 0.020" (0.5 mm) copper.
30" (76.2 cm) minimum clearance between the top of the cooking platform and the bottom of an unprotected wood or metal cabinet.
If installing a hood above the range, follow the instructions for dimensional clearances above the cooktop surface.