

INSTALLATION INSTRUCTIONS

30" (76.2 CM) ELECTRIC DROP-IN RANGES

Table of Contents

RANGE SAFETY	2
INSTALLATION REQUIREMENTS	2
Tools and Parts	2
Location Requirements	2
Electrical Requirements	4
Countertop Preparation.....	4
INSTALLATION INSTRUCTIONS	5
Prepare Drop-In Range	5
Remove Oven Trim.....	5
Make Electrical Connection	6
Install Range	7
Complete Installation.....	8

RANGE SAFETY

Your safety and the safety of others are very important.

We have provided many important safety messages in this manual and on your appliance. Always read and obey all safety messages.



This is the safety alert symbol.

This symbol alerts you to potential hazards that can kill or hurt you and others.

All safety messages will follow the safety alert symbol and either the word "DANGER" or "WARNING."

These words mean:

⚠ DANGER

You can be killed or seriously injured if you don't immediately follow instructions.

⚠ WARNING

You can be killed or seriously injured if you don't follow instructions.

All safety messages will tell you what the potential hazard is, tell you how to reduce the chance of injury, and tell you what can happen if the instructions are not followed.

IMPORTANT:

Save for local electrical inspector's use.

⚠ WARNING

Tip Over Hazard

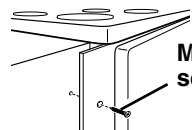
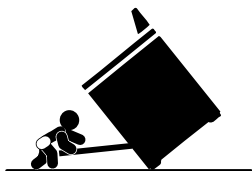
A child or adult can tip the range and be killed.

Securely attach mounting screws to cabinet.

Reattach mounting screws if the range is moved.

See installation instructions for details.

Failure to follow these instructions can result in death or serious burns to children and adults.



Mounting screw

Making sure the mounting screws are installed:

- Remove side trim from both sides of the range.
- Look for screws securely attached to cabinet.
- Replace side trim.

INSTALLATION REQUIREMENTS

Tools and Parts

Gather the required tools and parts before starting installation. Read and follow the instructions provided with any tools listed here.

Tools needed

- Phillips screwdriver
- Router
- ½" router bit
- Measuring tape
- Level

Parts needed

- A UL listed or CSA approved conduit connector
- UL listed wire connects

Parts supplied

- 2 - #8-14 x 1" screws

Check local codes. Check existing electrical supply. See "Electrical Requirements."

It is recommended that all electrical connections be made by a licensed, qualified electrical installer.

Location Requirements

IMPORTANT: Observe all governing codes and ordinances.

- It is the installer's responsibility to comply with installation clearances specified on the model/serial rating plate. The model/serial rating plate is located on the right-hand side oven door trim.
- Cabinet opening dimensions that are shown must be used. Given dimensions are minimum clearances.
- Recessed installation area must provide complete enclosure around the recessed portion of the range.

- Grounded electrical supply is required. See "Electrical Requirements" section.
- Electrical supply junction box should be located on rear wall. Bottom of junction box should be 30¾" (78.1 cm) max. from top of countertop.
- The anti-tip mounting screws must be installed. See "Install Range" section.
- The range should be located for convenient use in the kitchen.
- To eliminate the risk of burns or fire by reaching over heated surface units, cabinet storage space located above the surface units should be avoided. If cabinet storage is to be provided, the risk can be reduced by installing a range hood or microwave range hood combination that projects horizontally a minimum of 5" (12.7 cm) beyond the bottom of the cabinets.
- Range support slats must be solid, level and flush with bottom of cabinet cutout. Floor must be able to support a weight of 225 lbs (102.0 kg).

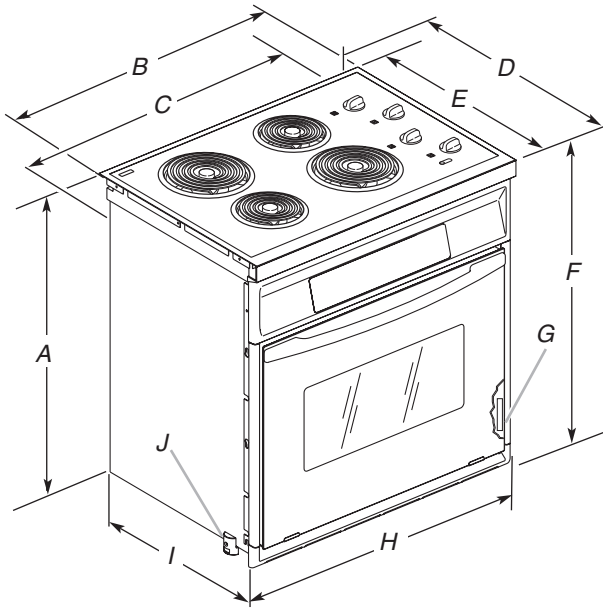
Mobile Home - Additional Installation Requirements

The installation of this range must conform to the Manufactured Home Construction and Safety Standard, Title 24 CFR, Part 3280 (formerly the Federal Standard for Mobile Home Construction and Safety, Title 24, HUD Part 280). When such standard is not applicable, use the Standard for Manufactured Home Installations, ANSI A225.1/NFPA 501A or follow local codes.

Mobile home installations require:

- When this range is installed in a mobile home, it must be secured to the floor during transit. Any method of securing the range is adequate as long as it conforms to the standards listed above.
- Four-wire power supply cord or cable must be used in a mobile home installation. The appliance wiring will need to be revised. See "Electrical Connection" section.

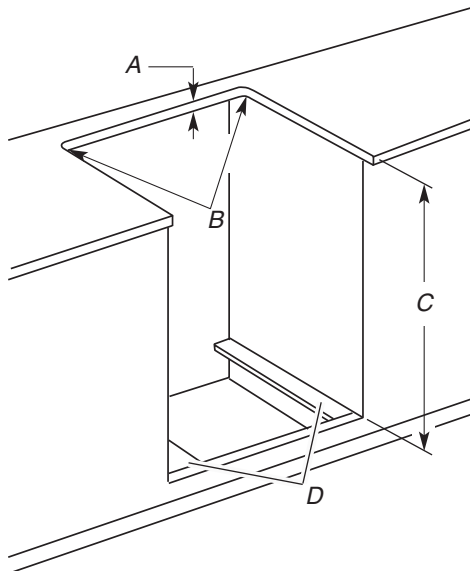
Product Dimensions



- A. 30³/₄" (78.1 cm) recessed height from underside of cooktop to support slats
- B. 28³/₈" (72.1 cm) cooktop recessed width
- C. 28⁵/₃₂" (71.2 cm) range recessed width
- D. 24¹³/₃₂" (58.4 cm) to back of range
- E. 21" (53.3 cm) cooktop depth
- F. 31¹¹/₁₆" (61.1 cm) overall height
- G. Model/serial number plate
- H. 30" (76.2 cm) overall width
- I. 31¹/₂" (80.0 cm) overall cooktop width
- J. Shipping foot (temporary)

Cabinet Dimensions

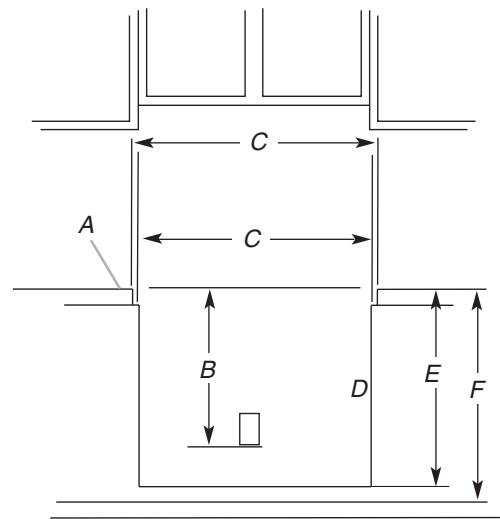
Top view of cabinet cutout



- A. 1¹/₂" (3.8 cm) max. countertop thickness
- B. 1/4" (0.6 cm) radius both corners
- C. 30³/₄" (78.1 cm) top of countertop to support slats
- D. 3¹/₂" (8.9 cm) wide support slat on each side*

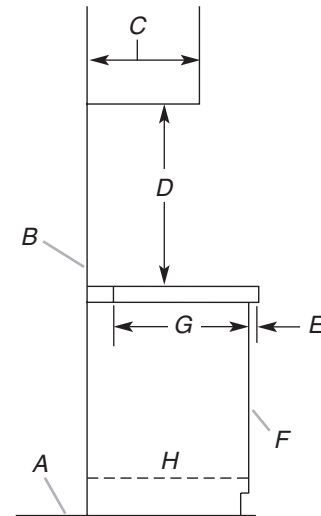
*Slats must be level front to back, as well as with each other.

Front view of cabinet cutout



- A. Top of countertop must be level across front, and front to back.
- B. Locate electrical junction box on rear wall. Bottom of junction box should be 30³/₄" (78.1 cm) max. from top of countertop.
- C. 28¹/₂" (72.4 cm) min. opening width
29³/₈" (74.6 cm) opening is recommended if available
- D. 7/8" (1.9 cm) min. required between cutout and cabinet door or hinge
- E. 30³/₄" (78.1 cm) top of countertop to bottom of front cabinet cutout/ support slats
- F. 36" (91.4 cm) overall countertop height

Side view of cabinet cutout



- A. Floor
- B. Wall
- C. 13" (33.0 cm) max. upper cabinet depth
- D. For minimum clearances to top of cooktop, see **NOTE***
- E. 1¹/₈" (2.9 cm) max.
- F. Cabinet front
- G. 19⁵/₈" (49.8 cm)
- H. 25" (63.5 cm) countertop depth
24" (61.0 cm) lower cabinet depth

***NOTE:** 24" (61 cm) minimum when bottom of wood or metal cabinet is protected by not less than 1/4" (0.64 cm) flame retardant millboard covered with not less than No. 28 MSG sheet steel, 0.015" (0.4 mm) stainless steel, 0.024" (0.6 mm) aluminum or 0.020" (0.5 mm) copper.

30" (76.2 cm) minimum clearance between the top of the cooking platform and the bottom of an unprotected wood or metal cabinet.

If installing a range hood or microwave hood combination above the range, follow the range hood or microwave hood combination installation instructions for dimensional clearances above the cooktop surface.

Electrical Requirements

If codes permit and a separate ground wire is used, it is recommended that a qualified electrical installer determine that the ground path and wire gauge are in accordance with local codes.

Check with a qualified electrical installer if you are not sure the range is properly grounded.

This range must be connected to a grounded metal, permanent wiring system.

Be sure that the electrical connection and wire size are adequate and in conformance with the National Electrical Code, ANSI/NFPA 70-latest edition or CSA Standards C22.1-94, Canadian Electrical Code, Part 1 and C22.2 No. O-M91-latest edition, and all local codes and ordinances.

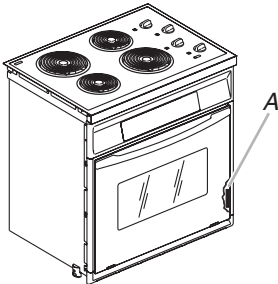
A copy of the above code standards can be obtained from:

National Fire Protection Association
One Batterymarch Park
Quincy, MA 02269
CSA International
8501 East Pleasant Valley Road
Cleveland, OH 44131-5575

Electrical Connection

To properly install your range, you must determine the type of electrical connection you will be using and follow the instructions provided for it here.

- Range must be connected to the proper electrical voltage and frequency as specified on the model/serial number rating plate. The model/serial number rating plate is located at the bottom of the right-hand mounting rail. See the following illustration.



A. Model/serial number plate

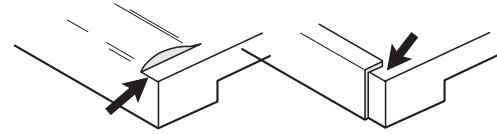
- Models rated from 12.7 kW at 240 volts (9.5 at 208 volts) require a separate 50-amp circuit.
- A time-delay fuse or circuit breaker is recommended.
- Flexible cable from appliance should be connected directly to the junction box.
- Fuse both sides of the line.
- Do not cut the conduit. The length of conduit provided is for serviceability of the oven.
- A UL listed or CSA approved conduit connector must be provided.
- If the house has aluminum wiring follow the procedure below:
 1. Connect a section of solid copper wire to the pigtail leads.
 2. Connect the aluminum wiring to the added section of copper wire using special connectors and/or tools designed and UL listed for joining copper to aluminum.

Follow the electrical connector manufacturer's recommended procedure. Aluminum/copper connection must conform with local codes and industry accepted wiring practices.

Countertop Preparation

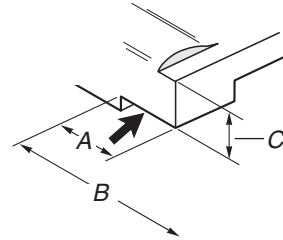
Front edges:

You may need to shave or cut the trim of formed or metal front-edged countertops to clear the 30" (76.2 cm) width of the cooktop.



If countertop thickness is more than 1½" (3.8 cm) thick:

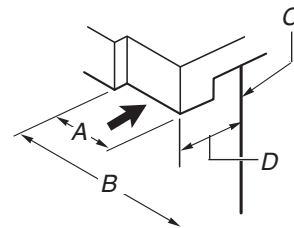
Countertop must be notched as shown to avoid damaging the oven control panel.



- A. Notch width to be equal on both sides
- B. 30⅞" (76.5 cm) width
- C. 1½" (3.8 cm) max.

If countertop extends more than 1⅞" (2.9 cm) beyond cabinet front:

Notch countertop as shown to clear oven control panels.



- A. Notch width to be equal on both sides
- B. 30⅞" (76.5 cm) width
- C. Cabinet front
- D. 1⅞" (3.8 cm) max.

INSTALLATION INSTRUCTIONS

Prepare Drop-In Range

1. Decide on the final location for the range. Locate existing wiring to avoid drilling into or severing wiring during installation.

⚠ WARNING

Excessive Weight Hazard

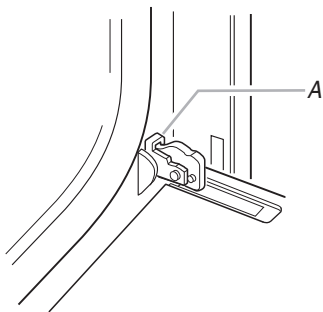
Use two or more people to move and install range.
Failure to do so can result in back or other injury.

2. To avoid floor damage, set the range onto cardboard prior to installation. Do not use oven door handle or any portion of the front frame or trim for lifting.
To avoid product damage, do not remove the shipping feet at the front lower corners of the range. The shipping feet will protect the lower oven trim until the range is inserted into cabinet.
3. Remove the shipping materials and tape from the range.
4. Remove the hardware package from inside the bag containing literature.
5. Remove and set aside racks and other parts from inside the oven.
6. Move range and cardboard close to the range's final location.

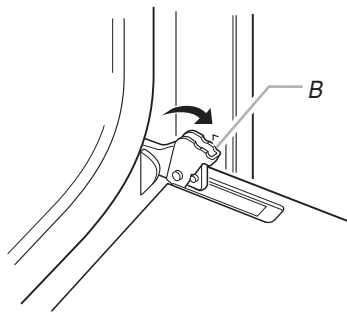
Remove Oven Trim

IMPORTANT: Use both hands to remove oven doors.

1. Open the oven door.
2. Locate the oven door latches in both corners of the oven door, and rotate the latches forward to the unlocked position.

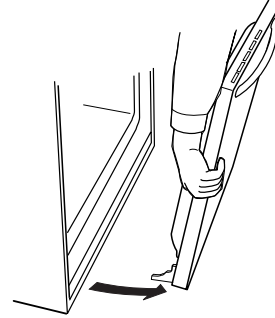


A. Oven door latch in locked position

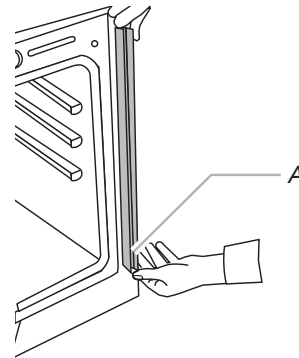


B. Oven door latch in unlocked position

3. Grasp the edges of the oven door with both hands and close the oven door until it stops. Lift and pull oven door toward you and remove. Set the oven door aside on a covered work surface.

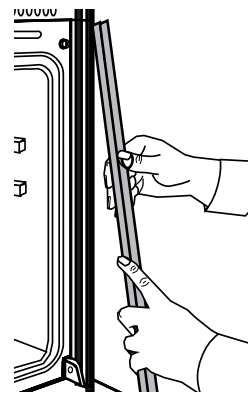


4. Remove bottom screw on each side of the oven trim.
5. Grasp the bottom end of trim and pull away from oven.



A. Oven trim

6. Slide top end of trim downward to remove trim from oven. Set trim aside.



Make Electrical Connection

⚠️ WARNING



Electrical Shock Hazard

Disconnect power before servicing.

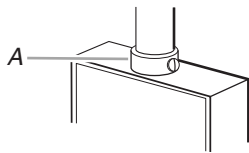
Use 8 gauge solid copper wire.

Electrically ground oven.

Failure to follow these instructions can result in death, fire, or electrical shock.

This range is manufactured with a neutral (white) power supply wire and a cabinet-connected green (or bare) ground wire twisted together.

1. Disconnect power.
2. Feed the flexible cable conduit from the range through the opening in the cabinet.
3. Remove junction box cover if it is present.
4. Install a UL listed or CSA approved conduit connector to the junction box.



A. UL listed or CSA approved conduit connector

5. Route the flexible cable conduit from the range to the junction box through a UL listed or CSA approved conduit connector.
6. Tighten screws on conduit connector.
7. See “Electrical Connection Options Chart” to complete installation for your type of electrical connection.

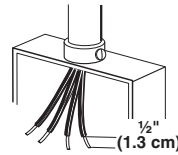
Electrical Connection Options Chart

If your home has:

Go to section:

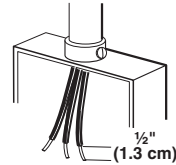
4-wire

4-wire Cable from Home Power Supply



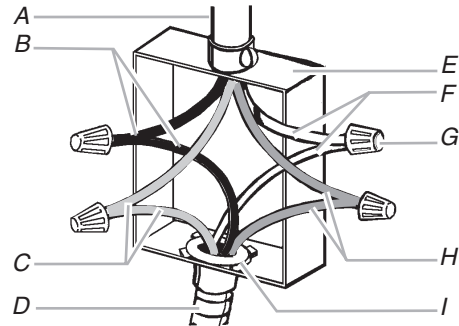
3-wire

3-wire Cable from Home Power Supply



4-Wire Cable from Home Power Supply

IMPORTANT: Use the 4-wire cable from home power supply where local codes do not allow grounding through neutral, New Branch circuit installations (1996 NEC), mobile homes, recreational vehicles, and new construction.

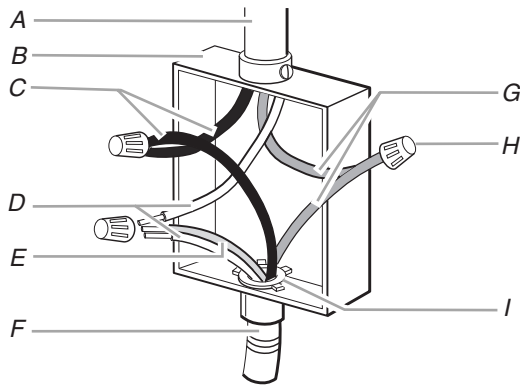


- | | |
|-------------------------------------|--|
| A. Cable from home power supply | F. White wires |
| B. Black wires | G. UL listed wire connectors |
| C. Red wires | H. Green (or bare) ground wires |
| D. 4-wire flexible cable from range | I. UL listed or CSA approved conduit connector |
| E. Junction box | |

1. Connect the 2 black wires (B) together using a UL listed wire connector.
2. Connect the 2 red wires (C) together using a UL listed wire connector.
3. Untwist white wire from green (or bare) ground wire coming from the range.
4. Connect the 2 white wires (F) together using a UL listed wire connector.
5. Connect the green (or bare) ground wire (H) from the range cable to the green (or bare) ground wire (in the junction box) using a UL listed wire connector.
6. Install junction box cover.

3-Wire Cable from Home Power Supply

IMPORTANT: Use the 3-wire cable from home power supply where local codes permit a 3-wire connection.



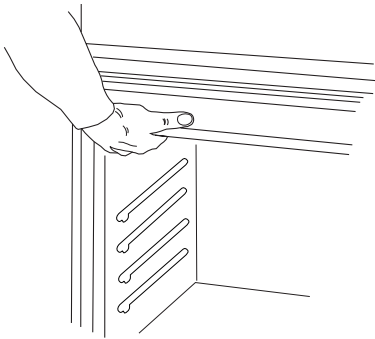
- | | |
|---|--|
| A. Cable from home power supply | F. 4-wire flexible cable from range |
| B. Junction box | G. Red wires |
| C. Black wires | H. UL listed wire connectors |
| D. White wires | I. UL listed or CSA approved conduit connector |
| E. Green (or bare) ground wire (from range) | |

1. Connect the 2 black wires (C) together using a UL listed wire connector.
2. Connect the 2 white wires (D) and the green (or bare) ground wire (of the range cable) using a UL listed wire connector.
3. Connect the 2 red wires (G) together using a UL listed wire connector.
4. Install junction box cover.

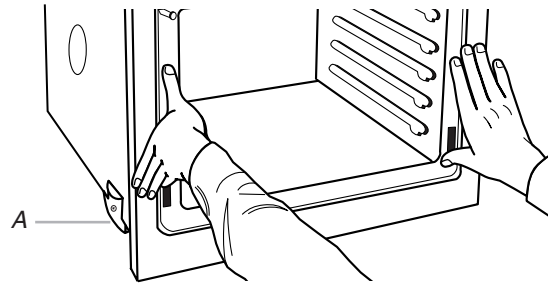
Install Range

1. Using 2 or more people, lift range partially into cabinet cutout using the oven opening as an area to grip.

NOTE: Push against seal area of oven front frame when pushing range into cabinet. Do not push against outside edges.



2. Push against seal area of front frame to push range into cabinet until shipping feet almost contact cabinet.



A. Shipping foot

3. Use a Phillips screwdriver to remove and discard shipping feet.
4. Push range completely into cabinet and center range in cabinet cutout.

⚠ WARNING



Tip Over Hazard

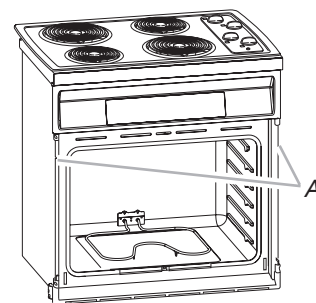
A child or adult can tip the range and be killed.

Securely attach mounting screws to cabinet.

Reattach mounting screws if the range is moved.

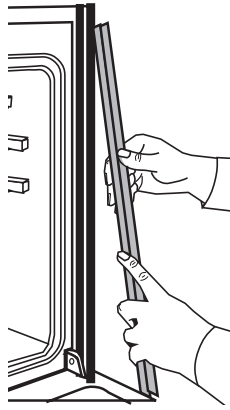
Failure to follow these instructions can result in death or serious burns to children and adults.

5. Securely fasten range to cabinet using the two #8-14 x 1" screws provided. Insert the screws through holes in mounting rails. Do not overtighten screws.

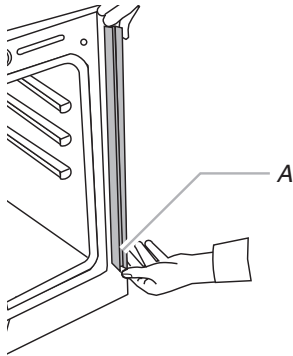


A. Two #8-14 x 1" screws

- Slide top end of each trim piece upward onto range side rails.



- Push each trim piece into place at bottom of trim.



A. Oven trim

- Use screws to attach each trim piece to range.
- Replace oven racks.
- Replace oven door by inserting ends of hinges into hinge slots in the oven frame.
- Push hinges in as far as they will go and open the oven door. You should feel the oven door drop into place.
- Rotate both hinge latches back to the locked position.
- Check that the door is free to open and close. If it is not, repeat the removal and installation procedures. See "Remove Oven Trim" section.
- Reconnect power.
- Display panel will light briefly, and "PF" should appear in the display.
- If display panel does not light, please reference the "Assistance or Service" section of the Use and Care Guide or contact the dealer from whom you purchased your range.

Complete Installation

- Check that all parts are now installed. If there is an extra part, go back through the steps to see which step was skipped.
- Check that you have all of your tools.
- Dispose of/recycle all packaging materials.
- For range use and cleaning, read the Use and Care Guide.

Check Operation of Cooktop

- Turn power on. "PF" should appear in the display.
- Push in and turn each cooktop control knob to HI.
- Check the operation of the cooktop elements and indicator lights.

If cooktop element(s) does not operate, check the following:

- Household fuse is intact and tight; or circuit breaker has not tripped.
 - Electrical supply is connected.
 - See "Troubleshooting" section in the Use and Care Guide.
- Turn cooktop control knob to OFF.

Check Operation of Oven

- Turn power on. "PF" should appear in the display.
- Press CUSTOM BROIL. "BROIL" will appear in the display.
- Press START/ENTER. Make sure the oven door is closed and the "ON" light is shown in the display.

If oven element(s) does not operate, check the following:

- Household fuse is intact and tight; or circuit breaker has not tripped.
 - Electrical supply is connected.
 - See "Troubleshooting" section in the Use and Care Guide.
- When oven has been on for 5 minutes, feel for heat:
 - If you do not feel heat or an "F" followed by a number appears in the display, turn off the oven and contact a qualified electrician.

If you need Assistance or Service:

Please reference the "Assistance or Service" section of the Use and Care Guide or contact the dealer from whom you purchased your range.