

# PLASTIC TUB DISHWASHER OWNER'S MANUAL

## GUIDE D'UTILISATION DU LAVE-VAISSELLE AVEC CUVE EN PLASTIQUE

### Table of Contents/Table des matières

<b>DISHWASHER SAFETY</b> .....	2	<b>SÉCURITÉ DU LAVE-VAISSELLE</b> .....	26
<b>DISHWASHER MAINTENANCE AND CARE</b> .....	4	<b>ENTRETIEN ET RÉPARATION DU LAVE-VAISSELLE</b> .....	28
User-Maintenance Instructions .....	4	Instructions d'entretien pour l'utilisateur .....	28
<b>INSTALLATION REQUIREMENTS</b> .....	5	<b>EXIGENCES D'INSTALLATION</b> .....	29
Tools and Parts .....	5	Outils et pièces .....	29
Location Requirements .....	7	Exigences d'emplacement .....	31
Cabinet Opening Dimensions .....	8	Dimensions de l'ouverture de l'armoire .....	32
Drain Requirements .....	8	Exigences d'évacuation .....	32
Water Supply Requirements .....	8	Spécifications de l'alimentation en eau .....	32
Electrical Requirements .....	8	Spécifications électriques .....	32
<b>INSTALLATION INSTRUCTIONS</b> .....	9	<b>INSTRUCTIONS D'INSTALLATION</b> .....	33
Before You Begin .....	9	Avant de commencer .....	33
Prepare Cabinet Opening – New Utilities .....	9	Préparation de l'emplacement – nouvelles unités .....	34
Install Optional Moisture Barrier (Recommended for Wood Countertops) .....	10	Installer la barrière anti-humidité en option (recommandée pour les comptoirs en bois) .....	34
Electrical Connection .....	10	Raccordement électrique .....	35
Prepare Dishwasher .....	11	Préparation du lave-vaisselle .....	35
Remove Access Panel .....	11	Retrait du panneau d'accès .....	36
Connect Water Line to Fill Valve .....	12	Branchement de l'arrivée d'eau à la valve de distribution .....	37
Connect Fill Hose to Fill Valve .....	13	Branchement du tuyau de distribution à la valve de distribution .....	38
Drain Hose Connection .....	13	Raccord du tuyau de vidange .....	38
Power Cord Connection .....	14	Branchement du câble électrique .....	39
Install Door Handle (on some models) .....	16	Installer la poignée de porte (sur certains modèles) .....	40
Place Dishwasher in Cabinet .....	16	Placer le lave-vaisselle dans l'armoire .....	41
Choose Anchor Attachment Method .....	17	Choix de l'option de fixation .....	42
Final Installation Check .....	18	Vérification finale de l'installation .....	43
Secure Dishwasher in Cabinet Opening .....	19	Fixation du lave-vaisselle dans l'ouverture d'encastrement de l'armoire .....	44
Direct Wire Connection .....	20	Méthode de raccordement direct .....	45
Connect Water Line to House Shutoff Valve .....	21	Branchement de l'arrivée d'eau au robinet d'arrêt de la maison .....	46
Connect Drain Hose .....	21	Raccordement du tuyau de vidange .....	46
Complete Installation .....	24	Fin de l'installation .....	49
Install Access Panel .....	24	Installation du panneau d'accès .....	49
Check Operation .....	25	Contrôle du fonctionnement .....	50
If Dishwasher Does Not Operate .....	25	Si le lave-vaisselle ne fonctionne pas .....	50
Additional Tips .....	25	Conseils supplémentaires .....	50

# DISHWASHER SAFETY

## Your safety and the safety of others are very important.

We have provided many important safety messages in this manual and on your appliance. Always read and obey all safety messages.



This is the safety alert symbol.

This symbol alerts you to potential hazards that can kill or hurt you and others.

All safety messages will follow the safety alert symbol and either the word "DANGER" or "WARNING." These words mean:

**▲ DANGER**

**You can be killed or seriously injured if you don't immediately follow instructions.**

**▲ WARNING**

**You can be killed or seriously injured if you don't follow instructions.**

All safety messages will tell you what the potential hazard is, tell you how to reduce the chance of injury, and tell you what can happen if the instructions are not followed.

## IMPORTANT SAFETY INSTRUCTIONS

**WARNING:** When using your dishwasher, follow basic precautions, including the following:

- Read all instructions before using the dishwasher.
- Use the dishwasher only for its intended function.
- Use only detergents or wetting agents recommended for use in a dishwasher and keep them out the reach of children.
- When loading items to be washed:
  1. Locate sharp items so that they are not likely to damage the door seal; and
  2. Load sharp knives with the handles up to reduce the risk of cut-type injuries.
- Do not wash plastic items unless they are marked "dishwasher safe" or the equivalent. For plastic items not so marked, check the manufacturer's recommendations.
- Do not touch the heating element during or immediately after use.
- Do not operate your dishwasher unless all enclosure panels are properly in place.
- Do not tamper with controls.
- Do not abuse, sit on, or stand on the door or dish racks of the dishwasher.
- To reduce the risk of injury, do not allow children to play in or on a dishwasher.
- Under certain conditions, hydrogen gas may be produced in a hot-water system that has not been used for two weeks or more. **HYDROGEN GAS IS EXPLOSIVE.** If the hot-water system has not been used for such a period, before using the dishwasher, turn on all hot-water faucets and let the water flow from each for several minutes. This will release any accumulated hydrogen gas. As the gas is flammable, do not smoke or use an open flame during this time.
- Remove the door to the washing compartment when removing an old dishwasher from service or discarding it.
- Do not use replacement parts that have not been recommended by the manufacturer (e.g. parts made at home using a 3D printer).

**SAVE THESE INSTRUCTIONS**

## GROUNDING INSTRUCTIONS

❑ **For a grounded, cord-connected dishwasher:**

The dishwasher must be grounded. In the event of a malfunction or breakdown, grounding will reduce the risk of electric shock by providing a path of least resistance for electric current. The dishwasher is equipped with a cord having an equipment-grounding conductor and a grounding plug. The plug must be plugged into an appropriate outlet that is installed and grounded in accordance with all local codes and ordinance.

**WARNING:** Improper connection of the equipment-grounding conductor can result in a risk of electric shock.

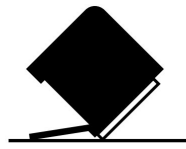
Check with a qualified electrician or service representative if you are in doubt whether the dishwasher is properly grounded. Do not modify the plug provided with the dishwasher; if it will not fit the outlet, have a proper outlet installed by a qualified electrician.

❑ **For a permanently connected dishwasher:**

The dishwasher must be connected to a grounded metal, permanent wiring system, or an equipment-grounding conductor must be run with the circuit conductors and connected to the equipment-grounding terminal or lead on the dishwasher.

**SAVE THESE INSTRUCTIONS**

## **⚠WARNING**



### **Tip Over Hazard**

**Do not use dishwasher until completely installed.**

**Do not push down on open door.**

**Doing so can result in serious injury or cuts.**

# DISHWASHER MAINTENANCE AND CARE

## User-Maintenance Instructions

### Cleaning the Exterior

Clean the exterior of the dishwasher with only a soft, damp cloth and mild detergent. If your dishwasher has a stainless steel exterior, it may have a coating that is resistant to fingerprints. Avoid using abrasive cleaning products on the exterior of the dishwasher.

### Cleaning and Maintaining the Interior

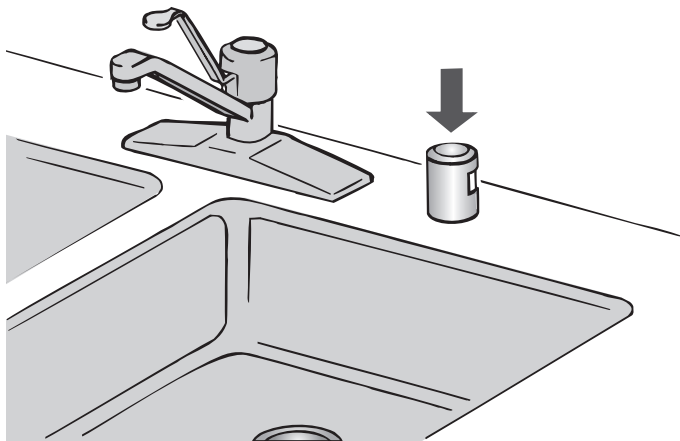
Many detergents may leave white spots or a white residue on dishware and on the interior of the dishwasher. Over time this residue can become unsightly and could affect dishwasher performance. Use of a dishwasher cleaning product such as affresh®† Dishwasher Cleaner can help to remove the residue. Monthly use of affresh®† Dishwasher Cleaner is recommended to help maintain the dishwasher. Follow package directions.

Another method to remove white residue is to use a vinegar rinse. However, vinegar is an acid and using it too often could damage your dishwasher.

Place (do not pour) 2 cups (500 mL) white vinegar in a glass or dishwasher-safe measuring cup on the bottom rack. Run the dishwasher through a complete washing cycle using an air-dry or an energy-saving dry option. Do not use detergent. Vinegar will mix with the wash water.

**NOTE:** We recommend the use of high-quality, premeasured detergent tablets or packs and the use of rinse aid for dishwasher cleaning and daily care.

If you have a drain air gap, check and clean it if the dishwasher is not draining well.



## To Reduce Risk of Property Damage During Vacation or Extended Time Without Use

- When you will not be using the dishwasher during the summer months, turn off the water and power supply to the dishwasher.
- Make sure the water supply lines are protected against freezing conditions. Ice formations in the supply lines can increase water pressure and cause damage to your dishwasher or home. Damage from freezing is not covered by the warranty.
- When storing your dishwasher in the winter, avoid water damage by having your dishwasher winterized by authorized service personnel.

## Cleaning the Filters

It is very easy to remove and maintain the filters. The chart below shows the recommended cleaning frequency.

Recommended Time Interval to Clean Your Filter			
Number of loads per week	If you only scrape before loading*	If you scrape and rinse before loading	If you wash before loading
8–12	Every two months	Every four months	Once per year
4–7	Every two months	Once per year	Once per year
1–3	Twice per year	Once per year	Once per year

\*Manufacturer's recommendation: This practice will conserve the water and energy that you would have used to prepare your dishes. This will also save you time and effort.

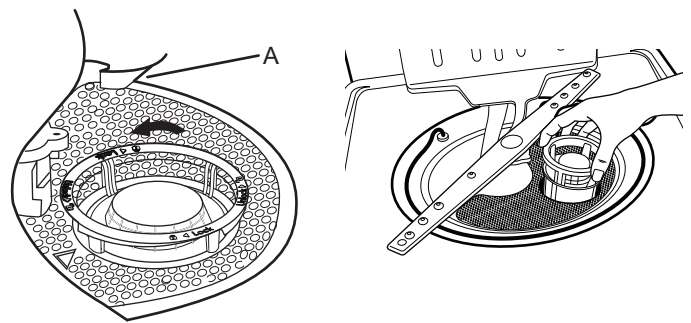
## Very Hard Water

If you have hard water (above 15 grains), clean your filter at least once per month. Building up of white residue on your dishwasher indicates hard water. For tips on removing spots and stains, see the online "Troubleshooting" section.

**NOTE:** Online references can be found in the Quick Start Guide.

## Filter Removal Instructions

1. Turn the upper filter assembly 1/4 turn counterclockwise and lift out.
2. Separate the upper filter assembly by gently pulling apart.
3. Clean the filters as shown.



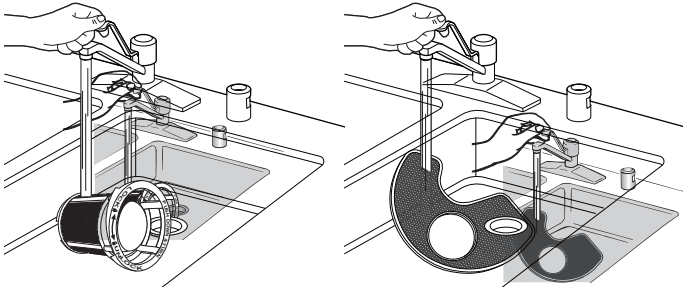
A. Locating tab

†affresh® is a registered trademark of Whirlpool, U.S.A.

## Cleaning Instructions

**IMPORTANT:** Do not use wire brush, scouring pad, etc., as they may damage the filters.

Rinse filter under running water until most soils are removed. If you have hard-to-remove soils or calcium deposits from hard water, a soft brush may be required.

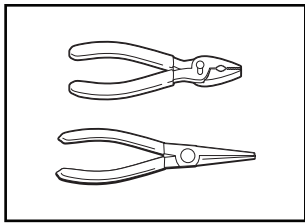


## INSTALLATION REQUIREMENTS

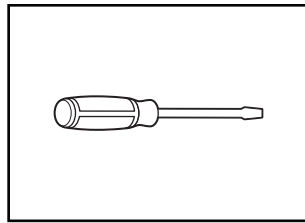
### Tools and Parts

Gather the recommended tools and parts before starting installation. Read and follow the instructions provided with any tools listed here.

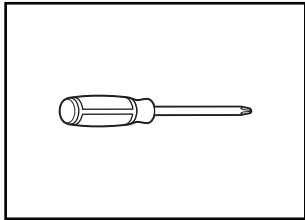
#### Tools Needed:



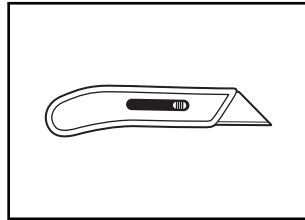
Pliers



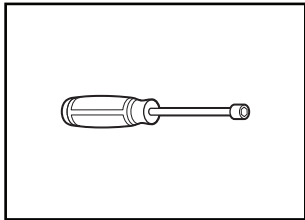
Flat-blade screwdriver



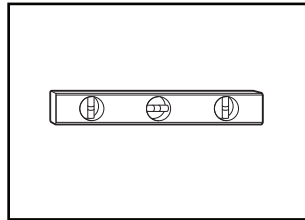
Phillips screwdriver



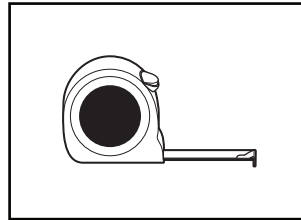
Utility knife



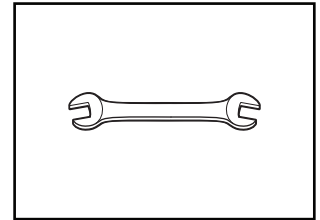
5/16" (8 mm) and 1/4" (6.35 mm) nut drivers or hex sockets



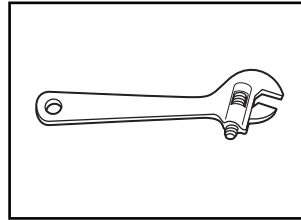
Small level



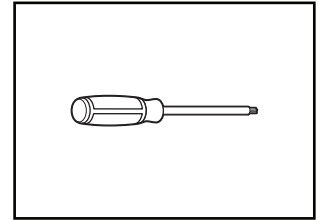
Measuring tape or ruler



5/8" (16 mm) open-end wrench

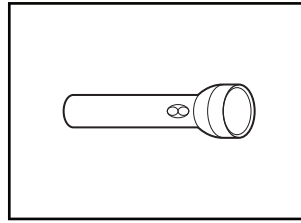


10" (254 mm) adjustable wrench that opens to 1 1/8" (29 mm)

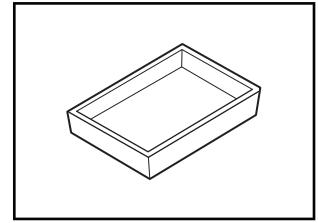


Torx®† T20® and, if installing custom front panels, Torx®† T15® screwdrivers

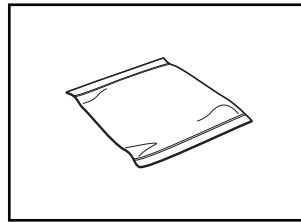
#### Other Useful Items You May Need:



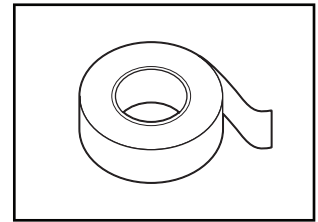
Flashlight



Shallow pan



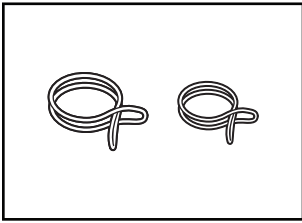
Bath towel



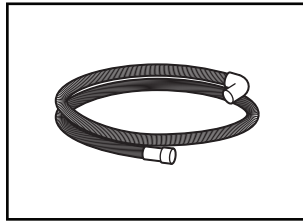
Masking or duct tape

†®TORX, T20 and T15 are registered trademarks of Acument Intellectual Properties, LLC.

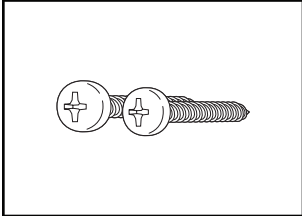
## Parts Supplied



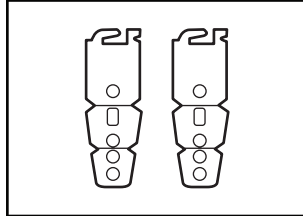
Drain hose clamps (2)  
(1 large/red and 1 small/green)



Drain hose

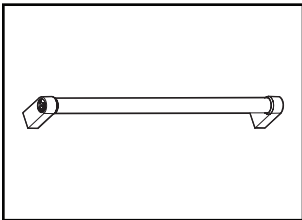


#10 x 1/2" (12.7 mm)  
Phillips-head screws (2)



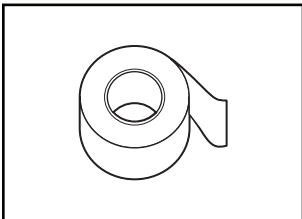
Undercounter mounting  
brackets (2)

Make sure all these parts are included in the literature package.



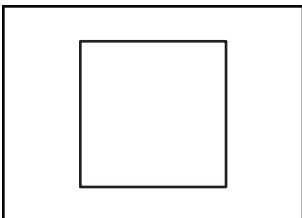
Door handle (on some models)

## Optional Accessory Parts Available:



### Moisture Barrier Tape

**NOTE:** Moisture barrier tape is recommended if installing a dishwasher under a wooden countertop.



### Side Panel Kit

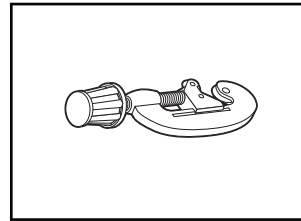
For enclosing the side of the dishwasher when installing it at the end of your cabinetry (Whirlpool part number varies with color.)

Call us at our toll-free number or visit our website listed on the Quick Start Guide for optional accessory part information.

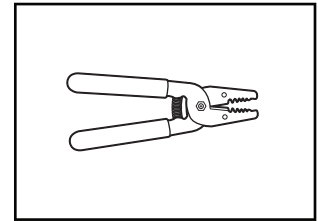
## First-Time Installations

Check local codes. Check existing electrical supply. See the "Electrical Requirements" section. It is recommended that electrical connections be made by a licensed electrical installer.

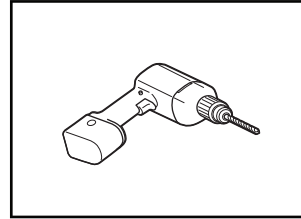
## Additional Tools Needed:



Small tubing cutter

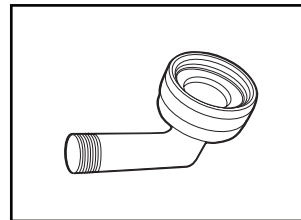


Wire strippers

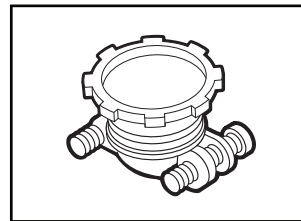


With 1/2" (12.7 mm),  
3/4" (19 mm), and  
1 1/2" (38.1 mm) hole saw bits

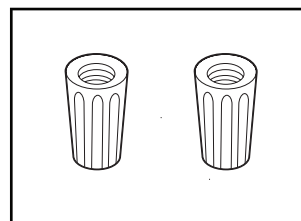
## Additional Parts Needed (not provided):



**3/8" (9.5 mm) Compression x 3/4" (19 mm) Hose Fitting** with rubber seal and 90° elbow (required to properly connect household water line to the dishwasher)



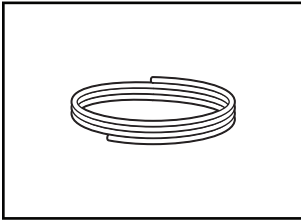
**Household Wiring (Metallic) Strain Relief** to fit 7/8" (22 mm) hole (required to properly secure household wiring to the dishwasher terminal box)  
**NOTE:** Use only: Straight: Whirlpool Part Number 4317824, 90°: Whirlpool Part Number W10278923RP



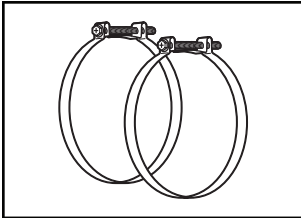
### Twist-On Wire Connectors

#### NOTES:

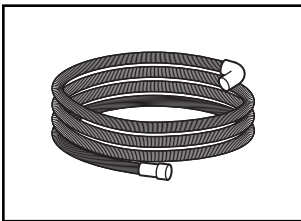
- Confirm proper size for connecting your gauge of household wiring to the 16-gauge wiring in the dishwasher.
- Use only: Straight: Whirlpool Part Number 4317824, 90°: Whirlpool Part Number W10278923RP



**Copper Tubing** (3/8" [9.5 mm] O.D. suggested) or Flexible Braided Water Supply Line Kit.



**Screw-Type Clamps**  
1 1/2"–2" (38 mm – 50 mm)  
(3 maximum)



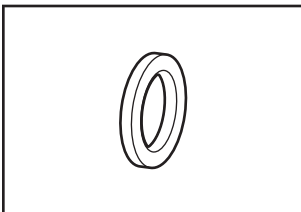
**Optional – Longer Drain Hose** Maximum length 12 ft (3.7 m)

**NOTE:** Must meet AHAM/IAPMO test standards, fit 1" (25 mm) drain connection, and be resistant to heat and detergent.

**NOTE:** Be sure to purchase only Whirlpool factory-certified parts and accessories for your appliance. Your installation may require additional parts. To order, refer to the contact information referenced in your Quick Start Guide.

**NOTE:** If using a flexible braided hose, replace inlet hose after 5 years to reduce the risk of hose failure. Record hose installation or replacement dates on the hose for future reference.

**For Direct Wire**

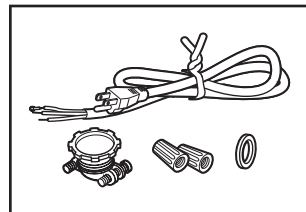


**Cabinet Grommet**

For 1 1/2" (38 mm) hole in cabinet

**NOTE:** Required for metal cabinets

**For Power Cord**



**Power Cord Kit**

Kit typically includes power cord, metallic strain relief, grommet, and twist-on wire connectors (Straight: Whirlpool Part Number 4317824, 90°: Whirlpool Part Number W10278923RP). For proper installation, refer to the installation instructions provided with the kit.

**NOTE:** Be sure to purchase only Whirlpool factory-certified parts and accessories for your appliance. Your installation may require additional parts. To order, refer to the contact information referenced in your Quick Start Guide.

## Location Requirements

Dishwasher must be fully enclosed (top, sides, back, and floor) upon installation. A side panel kit is available from your dealer for installing your dishwasher at the end of your cabinetry.

An optional moisture barrier accessory is also available for installing underneath a wooden countertop.

Check location where dishwasher will be installed. The location must provide:

- Convenient access for loading and unloading dishes. Corner locations require a 2" (51 mm) minimum clearance between the side of the dishwasher door and the wall or cabinet.
  - Easy access to water, electricity, and drain:
    - Grounded electrical supply is required.
    - This dishwasher has a water-heating feature and also requires a connection to a hot water supply line.
    - Make sure pipes, wires, and drain hose are within the shaded area shown in the "Cabinet Opening Dimensions" section.
    - Do not run drain lines, water lines, or electrical wiring where they can interfere with or contact dishwasher motor or legs.
    - Shelter dishwasher and water lines leading to dishwasher against freezing. Damage from freezing is not covered by the warranty.
- NOTE:** If dishwasher will be left unused for a period of time or in a location where it may be subject to freezing, have it winterized by authorized service personnel.
- If installed in new construction, flush the water supply line of debris before connecting it to the fill valve. If it is not flushed, debris from the water supply could plug the fill valve screen.

- A square opening for proper operation and appearance.
- The cabinet front to be perpendicular to floor.
- A level floor.

**Helpful Hint:** If floor at front of opening is not level with floor at rear of opening, shims may be used to level dishwasher.

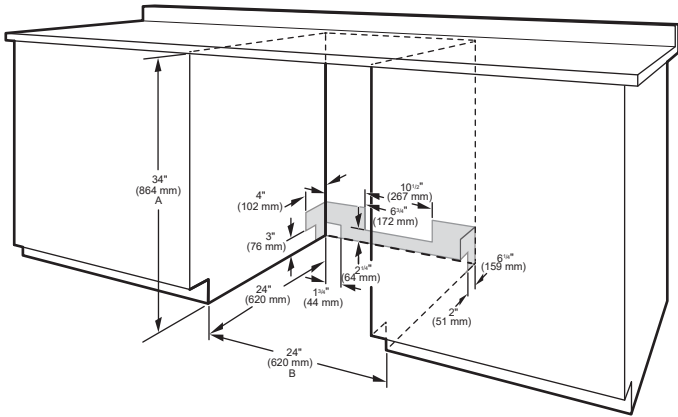
**NOTE:** To avoid shifting during dishwasher operation, shims must be securely attached to the floor.

- The location where the dishwasher will be installed must provide clearance between motor and flooring. Motor should not touch the floor.
- Do not install dishwasher over carpeted flooring.

# Cabinet Opening Dimensions

## Clearances

Check that all surfaces have no protrusions that would prohibit dishwasher installation.



- A. Measured from the lowest point on the underside of the countertop. May be reduced to 33 1/2" (851 mm) by removing the wheels and perforated area of insulation (blanket) on dishwasher.
- B. Minimum, measured from narrowest point of opening.

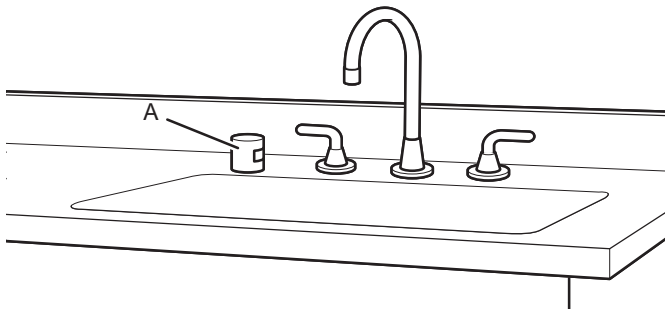
**NOTE:** Shaded areas of cabinet walls show where utility connections may be installed.

## Drain Requirements

- A new drain hose is supplied with your dishwasher. If drain hose is not long enough, use a new drain hose with a maximum length of 12 ft (3.7 m) that meets all current AHAM/IAPMO test standards, is resistant to heat and detergent, and fits the 1" (25 mm) drain connector of the dishwasher.

**NOTE:** Do not connect multiple drain hoses together.

- Make sure to connect drain hose to waste tee or disposer inlet above drain trap in house plumbing and 20" (508 mm) minimum above the floor. It is recommended that the drain hose either be looped up and securely fastened to the underside of the counter or be connected to an air gap.
- Make sure to use an air gap if the drain hose is connected to house plumbing lower than 20" (508 mm) above subfloor or floor.



A. Air gap

- If required, the air gap should be installed in accordance with the air gap installation instructions. When you are connecting the air gap, a rubber hose (not provided) will be needed to connect to the waste tee or disposer inlet.
- Use 1/2" (12.7 mm) minimum I.D. drain line fittings.

# Water Supply Requirements

- This dishwasher has a water heating feature and also requires a connection to a hot water supply line.
- A hot water line with 20 psi to 120 psi (138 kPa to 827 kPa) water pressure can be verified by a licensed plumber.
- 120°F (49°C) water at dishwasher
- 3/8" (9.5 mm) O.D. copper tubing with compression fitting or flexible braided water supply line  
**NOTE:** 1/2" (12.7 mm) minimum plastic tubing is not recommended.
- A 90° elbow with 3/4" (19 mm) hose connection with rubber washer
- Do not solder within 6" (152 mm) of the water inlet valve.
- If installed in new construction, make sure the house water supply lines have been flushed prior to connecting the dishwasher to remove any debris that may exist in the supply line.

**NOTE:** If replacing an existing dishwasher, it is recommended to install a new water line and drain hose (supplied) with the new dishwasher.

# Electrical Requirements

Be sure that the electrical connection and wire size are adequate and in conformance with the National Electrical Code, ANSI/NFPA 70 – latest edition, and all local codes and ordinances.

For a fee, a copy of the above code standards can be obtained from:

National Fire Protection Association  
1 Batterymarch Park  
Quincy, MA 02169-7471

## You Must Have:

- 120 V, 60 Hz, AC-only, 15 A or 20 A, fused electrical supply.
- Copper wire only.
- A maximum of 2 field wiring supply conductors (12 AWG largest size) plus 1 grounding conductor are permitted in the terminal box.

## We Recommend:

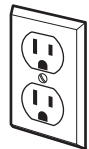
- A time-delay fuse or circuit breaker.

## Circuit Requirement:

- The dishwasher may be installed on the same circuit as a garbage disposal providing that the branch circuit cannot exceed rated circuit load and must comply with all governing codes and regulations such as but not limited to National Electrical Code, ANSI/NFPA 70 - latest edition.
- No electrical connections other than the dishwasher power and ground connections can be made inside of the dishwasher terminal box.

## If Connecting Dishwasher with a Power Cord:

- Use a UL-listed power cord kit marked for use with dishwasher. See the "Tools and Parts" section for part details.
- Plug into a grounded 3-prong outlet. Outlet must meet all local codes and ordinances.





## If Connecting Dishwasher with Direct Wiring:

- Use flexible, armored, or nonmetallic sheathed copper wire with grounding wire that meets the wiring requirements for your home and local codes and ordinances.
- Use a UL-listed/CSA-approved metallic strain relief.



## INSTALLATION INSTRUCTIONS

### ⚠ WARNING



#### Tip Over Hazard

- Do not use dishwasher until completely installed.
- Do not push down on open door.
- Doing so can result in serious injury or cuts.

### You Need To:

- Slowly open dishwasher door while someone grasps the rear of the dishwasher. Remove shipping materials and drain hose. Close dishwasher door until latched.
- NOTE: Each dishwasher is tested at the factory and may contain some residual water in the tub as a result of the test.
- Observe all governing codes and ordinances.
- Install this dishwasher as specified in these instructions.
- Installation should be performed by a qualified service technician.
- The dishwasher must be installed to meet all electrical and plumbing national and local codes and ordinances.
- Care shall be exercised when the appliance is installed or removed to reduce the likelihood of damage to the power cord.

**WARNING:** To reduce the risk of electric shock, fire, or injury to persons, the installer must ensure that the dishwasher is completely enclosed at the time of installation.

## Before You Begin

### ⚠ WARNING



#### Electrical Shock Hazard

Disconnect electrical power at the fuse box or circuit breaker box before installing appliance.  
Failure to do so can result in death or electrical shock.

### 1. Disconnect power

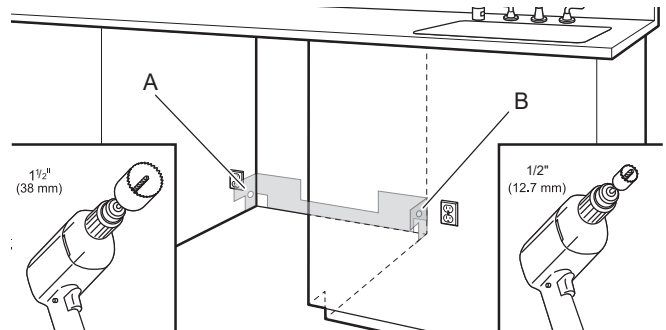
Disconnect electrical power at the fuse box or circuit breaker box before installing dishwasher.

### 2. Shut off water supply

Shut off water supply to the dishwasher.

## Prepare Cabinet Opening – New Utilities

### 3. Drill hole locations – new construction



A. Optional location  
B. Preferred location

The power-supply receptacle for the appliance shall be installed in a cabinet or on a wall adjacent to the undercounter space in which the appliance is to be installed.

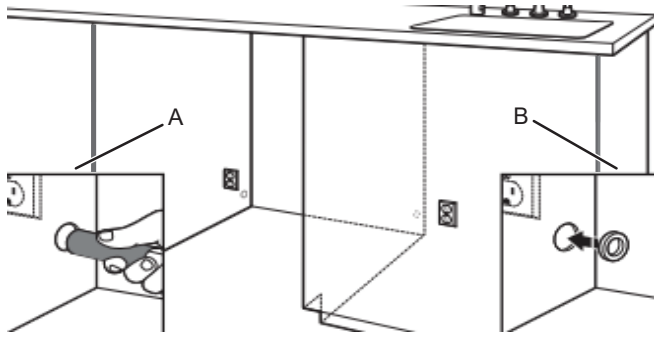
**NOTE:** Refer to the "Cabinet Opening Dimensions" section for the correct hole placement and dimensions of the shaded area.

Drill a 1 1/2" (38 mm) drain hole in the side or rear of cabinet, depending on the location of the drain hose routing and drain hose connection location.

Drill a 1/2" (12.7 mm) water supply hose hole in the side or rear of cabinet, depending on location of water supply routing and connection location.

Drill a 1 1/2" (38 mm) electrical conduit hole in the right-hand side or rear of the cabinet.

#### 4. Sand holes smooth



A. Wood cabinet  
B. Metal cabinet

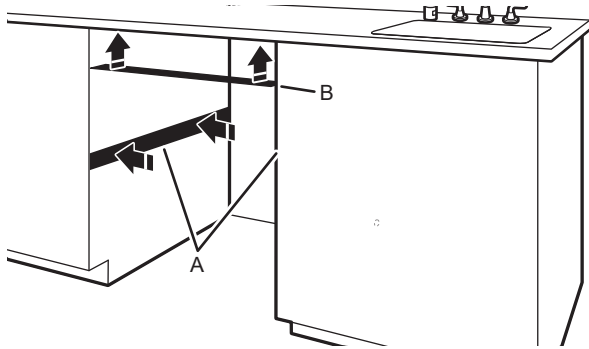
Wood cabinet: Sand the hole until smooth.

Metal cabinet: Cover edges of hole with grommet included with power cord kit. See the "Tools and Parts" section for part details.

**Helpful Tip:** Wiring the dishwasher will be easier if you route the cable into the cabinet opening from the right-hand side.

### Install Optional Moisture Barrier (Recommended for Wood Countertops)

Moisture barrier/Wood shims

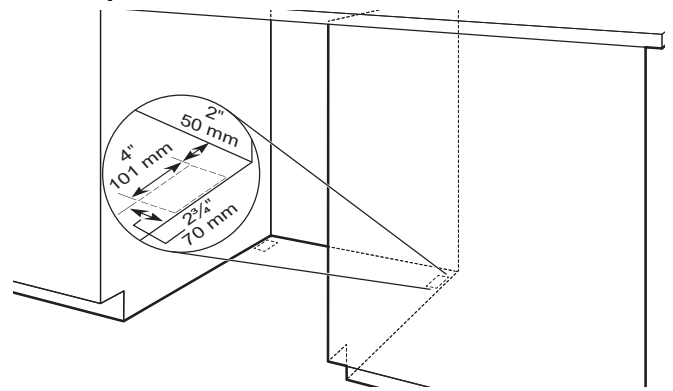


A. Install wood shims  
B. Moisture barrier

Make sure the area under the cabinet is clean and dry for installation of the moisture barrier. Remove the backing of the moisture barrier and apply to underside of the countertop along the front edge of the counter.

**NOTE:** Install wood shims if side anchoring and the gap between sides of the dishwasher are greater than 1/2" (12.7 mm) on each side or are greater than the length of the anchor screws.

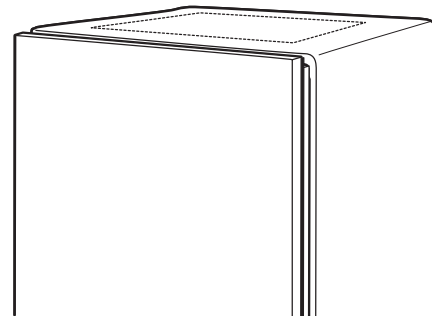
#### 5. Built-up floors – add shims as needed



Built-up floors: If the kitchen floor is higher than the cabinet opening's floor—for example, the kitchen floor tile does not extend into the cabinet opening—add shims, as needed, in the area shown to bring the dishwasher up to 34" (864 mm) below the countertop.

**NOTE:** Shims must be securely attached to floor to avoid movement when the dishwasher is in use.

#### 6. If installing into a 33 1/2" (851 mm) opening



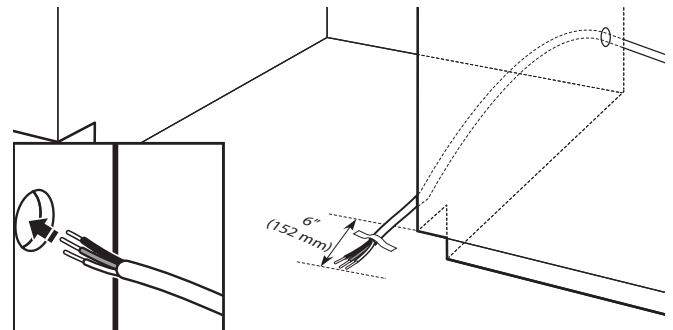
Cut insulation blanket along perforation for cabinet opening height of 33 1/2" (851 mm). For other cabinet opening heights, do not cut the insulation blanket.

### Electrical Connection

– For Direct Wire, begin with step 7

– For Power Cord, wait until step 22

#### 7. Direct wire – route cable



If installing with direct wire, route the cable as shown.

Route cable from power supply through cabinet hole. (Cable must extend to the right-front side of cabinet opening.) Tape cable to the floor in area shown. This will prohibit cable from moving when dishwasher is moved into cabinet opening.

**NOTE:** If removing a previous dishwasher with a power cord, you will need to transfer the power cord to the new dishwasher.

## Prepare Dishwasher

### ⚠ WARNING



#### Tip Over Hazard

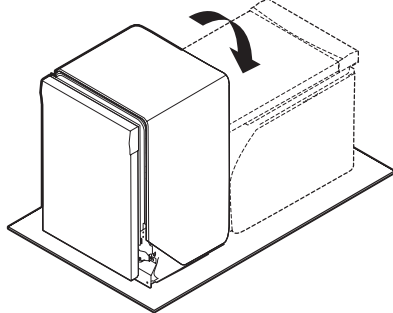
Do not use dishwasher until completely installed.  
Do not push down on open door.  
Doing so can result in serious injury or cuts.

### ⚠ WARNING

#### Excessive Weight Hazard

Use two or more people to move and install or uninstall appliance.  
Failure to do so can result in back or other injury.

### 8. Put dishwasher on its back



**Helpful Tip:** Place cardboard under dishwasher until installed in cabinet opening to avoid damaging floor covering.

Using 2 or more people, grasp sides of dishwasher door frame and place the dishwasher on its back.

Do not use the door panel as a worktable without first covering it with a towel to avoid scratching the door panel.

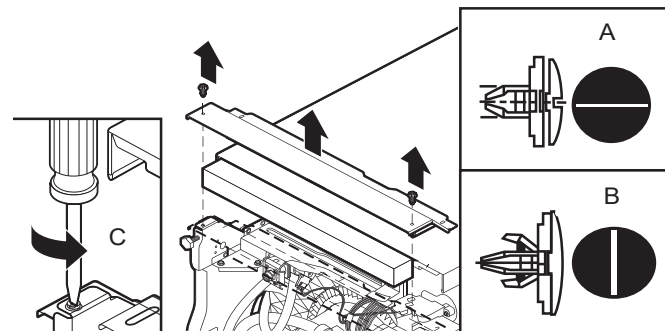
**NOTE:** On some models, once the dishwasher is on its back, pull on the door handle to remove it from the access panel.

## Remove Access Panel

– For Plastic Access Panels, go to step 9

– For Metal Access Panels, go to step 10

### 9. Plastic panel

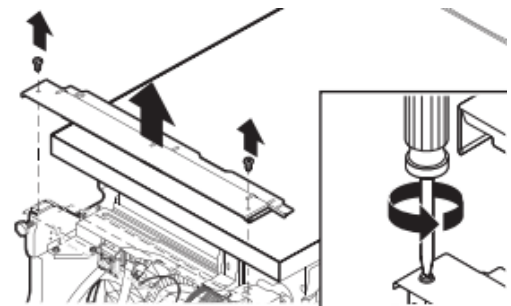


A. Unlocked  
B. locked

C. 1/4 turn

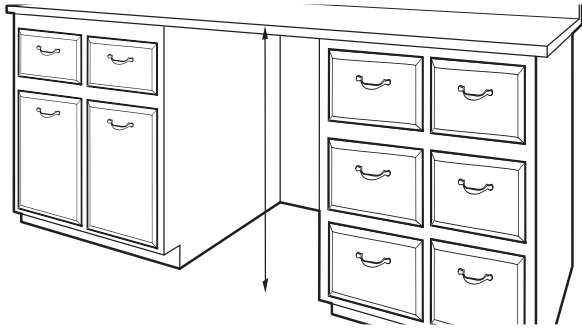
Using a flat-blade screwdriver, turn the plastic fasteners 1/4 turn counterclockwise to unlock them. Go to step 12.

### 10. Metal panel



Using a 1/4" (6.35 mm) nut driver or Phillips screwdriver, remove 2 screws attaching access panel to dishwasher.

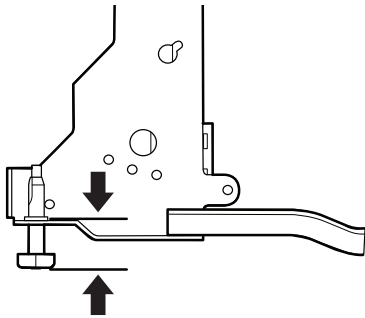
## 11. Measure cabinet opening



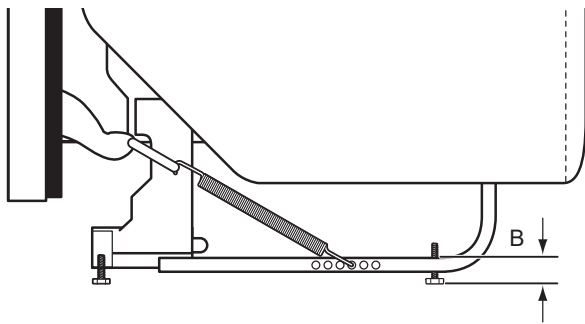
Measure height of cabinet opening from underside of countertop to floor where dishwasher will be installed. Be sure to measure the lowest point on the underside of the countertop and the highest point on the floor.

Dishwasher Height Adjustment Chart		
Cabinet-opening height	Front legs height A	Rear legs height B
33½" (851 mm)	3/8" (9.8 mm)	Remove legs and spacers.
34" (864 mm)	7/8" (22 mm)	1" (25.4 mm)
34½" (876 mm)	1⅛" (28.8 mm)	1¼" (31.3 mm)

### Front legs – A

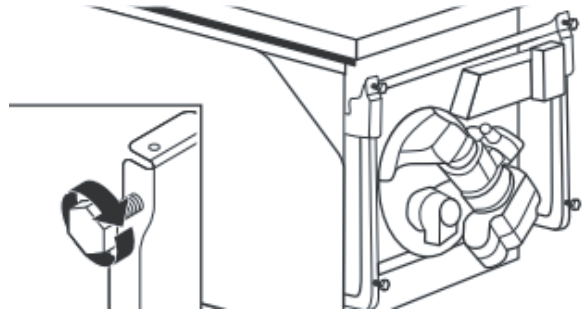


### Rear legs – B



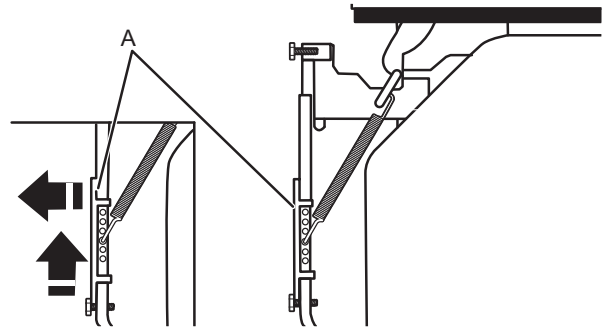
Adjust both front and back leveling legs to the same height.  
**NOTE:** If the minimum cabinet opening height is less than 33⅞" (860 mm), the rear leveling legs and spacers can be removed for additional clearance. This will allow the dishwasher to fit into a 33½" (851 mm) high cabinet opening, but the dishwasher will be more difficult to move. (Measurements are approximate. Rear and front leveling legs are preset at the factory for 34½" [876 mm].)

## 12. Adjust leveling legs



Refer to the "Dishwasher Height Adjustment Chart" for height of leveling legs needed for your cabinet opening.

## 13. Remove plastic rail cover



A. Plastic rail cover

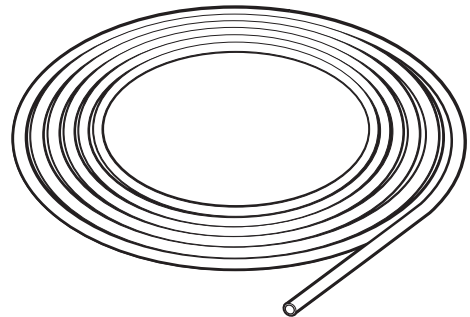
Remove and discard the plastic rail cover on each side of the dishwasher frame. To remove the plastic rail cover, push upward and back to unsnap it from the dishwasher frame.

## Connect Water Line to Fill Valve

– For Copper Line, begin with step 14

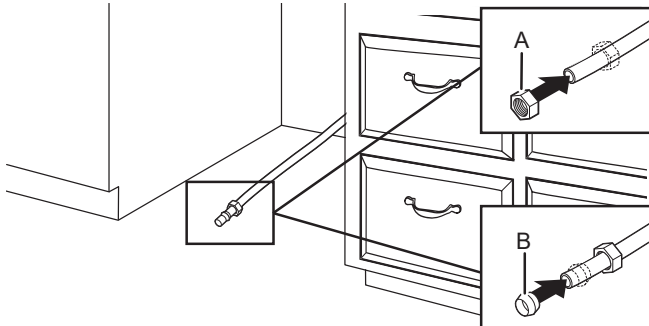
– For Flexible Line, begin with step 16

### 14. Copper water line



If using copper tubing, measure overall length of copper tubing required to reach the water supply, cut to length, and attach with compression fittings.

**15. Slide nut and ferrule onto tubing (copper tubing only)**

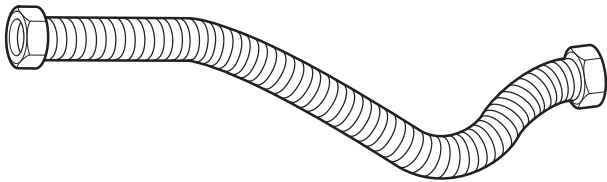


A. Nut  
B. Ferrule

**Copper tubing only:** Put the tubing into the 90° elbow fitting as far as it will go. (The copper tubing bends and kinks easily.) Slide the nut and ferrule forward and start the nut onto the elbow threads.

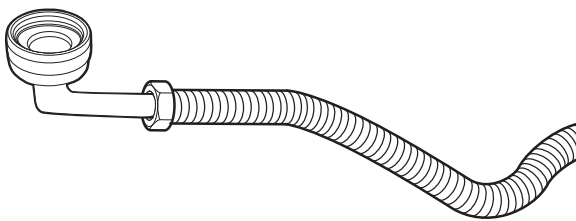
**NOTE:** To avoid vibration during operation, route the water supply line so that it does not touch the dishwasher base, frame, or motor. Go to step 18.

**16. Flexible line**



**Flexible braided line:** Confirm the flexible braided line is long enough.

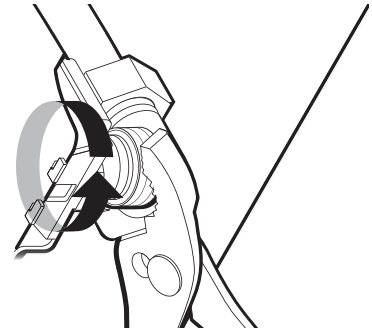
**17. Add 90° elbow fitting to the water supply line**



Get 3/8" (9.5 mm) compression x 3/4" (19 mm) hose fitting with 90° elbow. See the "Tools and Parts" section at the front of the guide for part details and order. Connect the 3/8" (9.5 mm) compression fitting of the 90° elbow fitting to the water supply line. Attach so the 3/4" (19 mm) connection is facing upward as shown above.

**Connect Fill Hose to Fill Valve**

**18. Tighten 90° elbow fitting to valve**



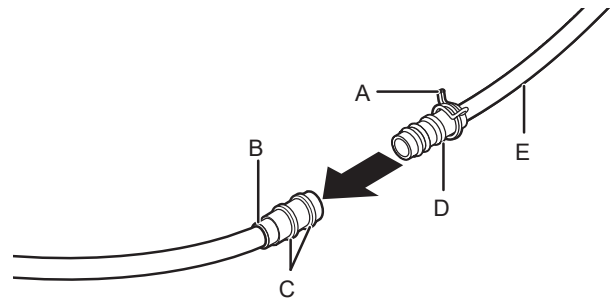
Be sure rubber washer is properly seated in fitting. Slide the 3/4" (19 mm) fitting of the 90° elbow up to the valve and hand-tighten to avoid cross-threading. Hand-tighten until the coupling is tight. Using pliers, check the tightness of the coupling. An additional 1/4 to 1/2 turn may be required to seal the rubber gasket. Route fill hose out the rear left side of unit.

**NOTES:**

- Do not use PTFE plumber's tape with compression fittings.
- Do not overtighten. Damage to the coupling can result.

**Drain Hose Connection**

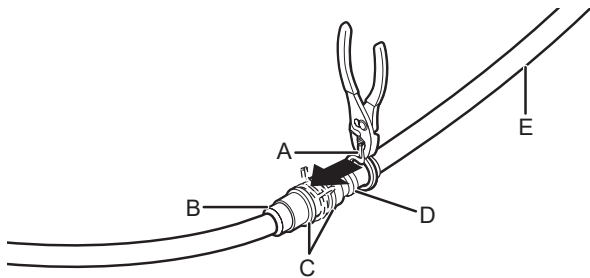
**19. Connect drain hose**



A. Small clamp  
B. Rubber drain hose connector  
C. Stop  
D. Drain hose stop  
E. Drain hose

Place towel under drain hose to catch any water in drain hose. Place the small (green) drain hose clamp onto the small end of the drain hose. Push the new drain hose into the rubber drain hose connector up to the drain hose stop.

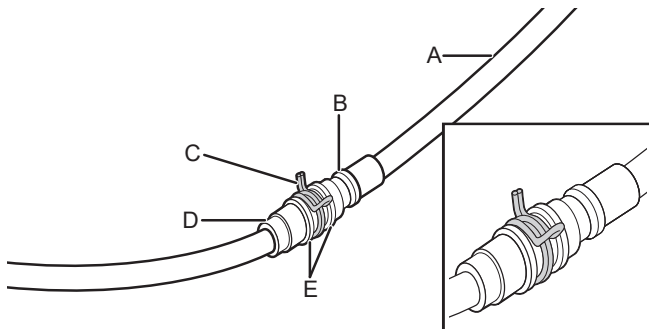
## 20. Slide clamp onto connector



- A. Small clamp
- B. Rubber drain hose connector
- C. Stop
- D. Drain hose stop
- E. Drain hose

Using pliers, squeeze open the small drain hose clamp, and slide it onto the connector between stops.

## 21. Hose clamp final position



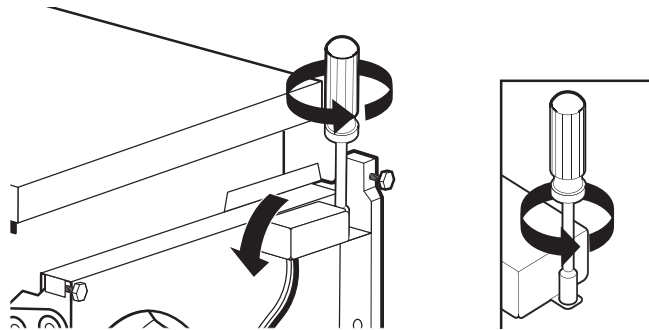
- A. Drain hose
- B. Drain hose stop
- C. Small clamp
- D. Rubber drain hose connector
- E. Stop

**NOTE:** Route drain hose out the rear of the dishwasher.

## Power Cord Connection

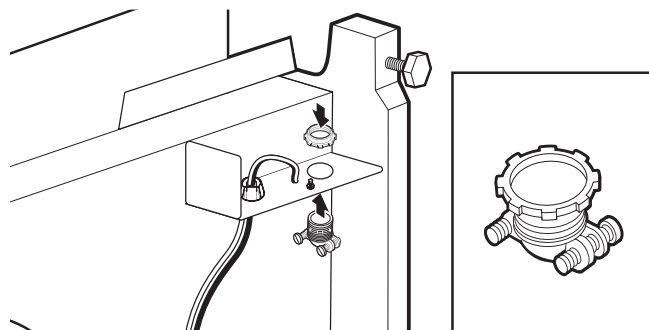
**NOTE:** If removing a previous dishwasher with a power cord, you will need to transfer the power cord to the new dishwasher.

### 22. Remove terminal box cover



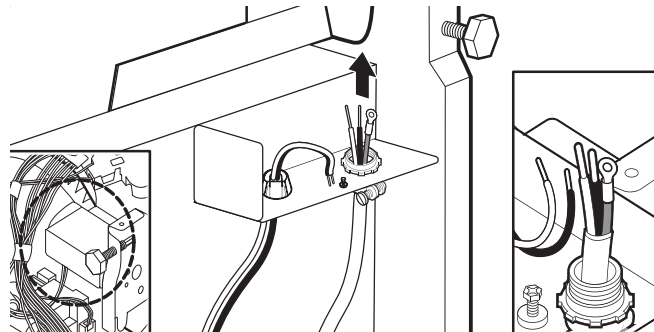
Using a 1/4" hex-head socket, nut driver, or Torx® T20® screwdriver, remove terminal box cover. Retain for later use.

### 23. Install strain relief



Install the metallic strain relief provided in this kit (Straight: Whirlpool Part Number 4317824, 90°: Whirlpool Part Number W10278923RP). Make sure screw heads are facing to the left when tightening conduit nut. Strain relief is provided with the power cord kit.

### 24. Power cord – route cord into terminal box



Route cord so that it does not touch dishwasher motor or lower part of dishwasher tub. Pull cord through strain relief in terminal box.

**NOTE:** A maximum of 2 power cord supply conductors (12 AWG largest size) plus 1 grounding conductor are permitted in the terminal box.

# ⚠ WARNING



## Electrical Shock Hazard

Electrically ground appliance.

Connect ground wire to green ground connector in terminal box.

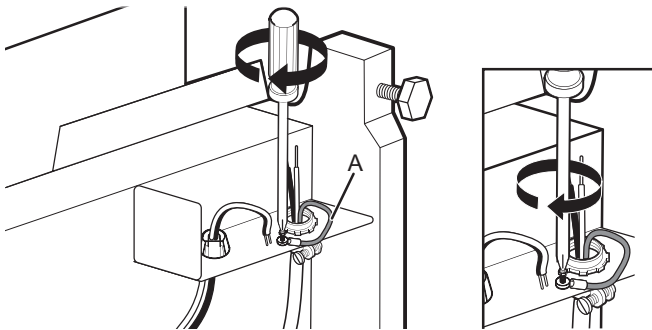
Do not use an extension cord.

Failure to follow these instructions can result in death, fire, or electrical shock.

## Wiring configuration

Power supply wire:		Terminal box wire:
white	↔	white
black	↔	black
ground wire	↔	ground connector

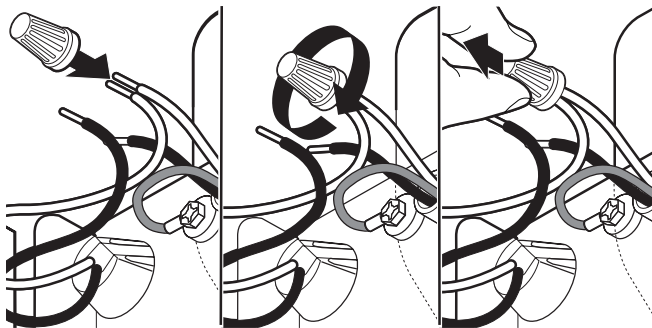
## 25. Power cord – connect ground wire



A. Ground wire

Remove the ground connector screw and place it through the ring terminal of the green ground wire of power cord. Reattach and tighten the ground connector screw.

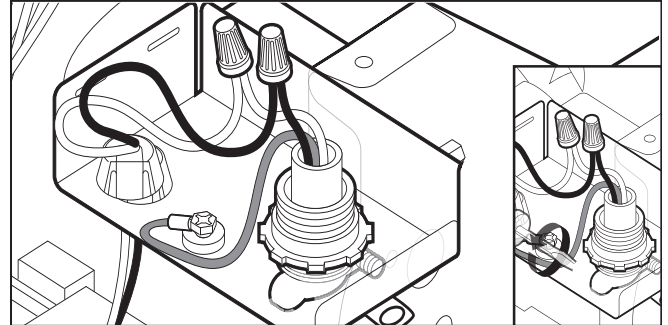
## 26. Power cord – connect remaining wires



Select twist-on wire connectors of the proper size provided in this kit (Straight: Whirlpool Part Number 4317824, 90°: Whirlpool Part Number W10278923RP). Connect wires, black to black and white to white, using the twist-on wire connectors.

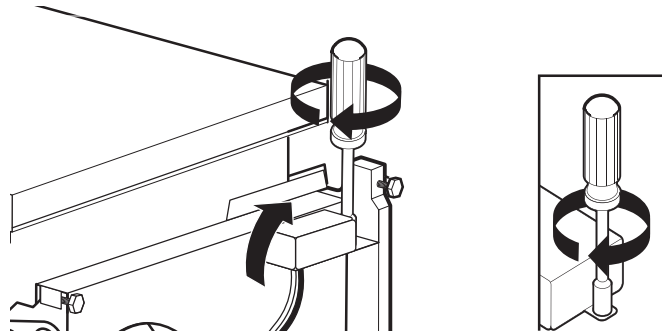
**NOTE:** Do not pre-twist stranded wire. Twist on wire connector. Gently tug on wires to be sure both are secured.

## 27. Power cord – secure cord in strain relief



Tighten strain relief screws to secure cord.

## 28. Power cord – reinstall terminal box cover and wires



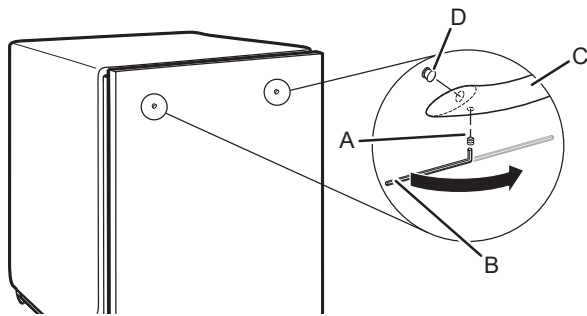
Place wires inside terminal box. Insert tabs on left side of cover. Make sure wires are tucked inside the box and not pinched by the cover. Use a 1/4" hex-head socket, nut driver, or Torx® T20® screwdriver, and the screw removed in step 22 to secure the terminal box cover.

If power cord supplied model, remove the first tie strap closest to the plug to maximize the cord length. Do not remove any other tie straps.

**NOTE:** Route power cord out the rear of the dishwasher. Do not plug cord into an outlet until instructed to do so.

## Install Door Handle (on some models)

### 29. Install door handle



- A. Setscrew (in bottom of handle)  
 B. Hex key  
 C. Handle  
 D. Mounting stud

**IMPORTANT:** Do not scratch the front panel during this procedure. If door panel has a protective film, peel film back past the point of the handle studs before installing handle. Handle is easiest to install while unit is on its back.

Remove the door handle and hex key from the packaging. Setscrews are already installed in the handle. Place handle on mounting studs with the setscrews facing down. Push the door handle tightly against the door. Insert the short end of the hex key into the setscrews. Tighten the setscrews 1/4 turn past snug.

Retain hex key with Owner's Manual.

## Place Dishwasher in Cabinet

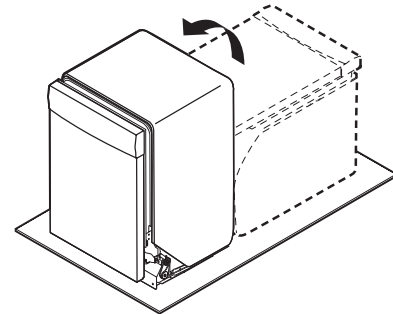
### **⚠ WARNING**

#### Excessive Weight Hazard

Use two or more people to move and install or uninstall appliance.

Failure to do so can result in back or other injury.

### 30. Stand dishwasher upright



Using 2 or more people, stand the dishwasher up.

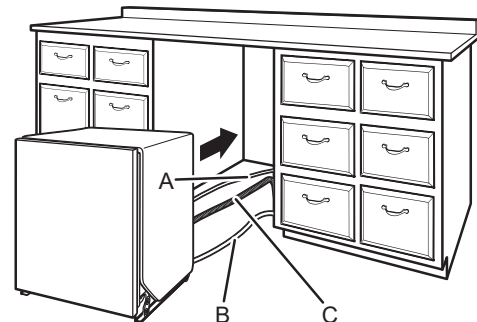
**NOTE:** Do not install kick plate until instructed to do so.

**IMPORTANT:** If wheels were removed, cover the floor when moving the dishwasher. Slowly move dishwasher completely into cabinet opening. Do not kink or pinch water line, drain hose, power cord, or direct wire between dishwasher and cabinet. Remove cardboard from under dishwasher.

It is all right if dishwasher fits tightly into cabinet opening. Do not remove insulation blanket—the blanket reduces the sound level.

**NOTE:** Route water supply, drain hose, and power cord out the rear of the dishwasher.

### 31. Move dishwasher close to cabinet opening

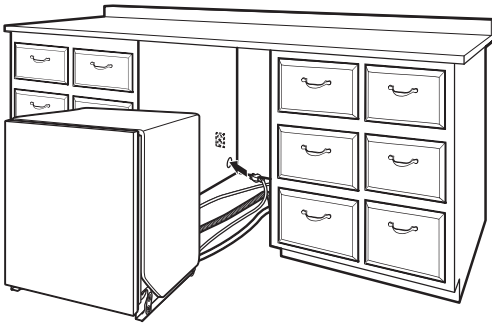


- A. Water line  
 B. Cable  
 C. Drain hose

Route the utilities through the holes in the cabinet and pull the slack out at the same time as the dishwasher is pushed into the cabinet.

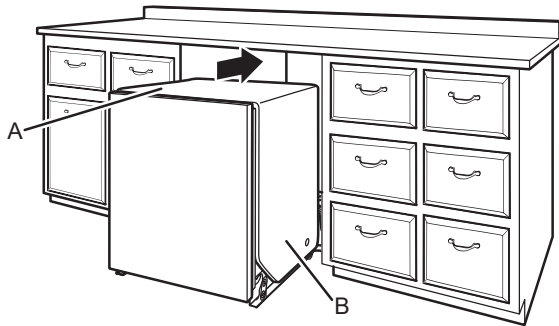


### 32. Route power cord.



If using a power cord, make sure to route end through hole in cutout before sliding dishwasher into cabinet opening.

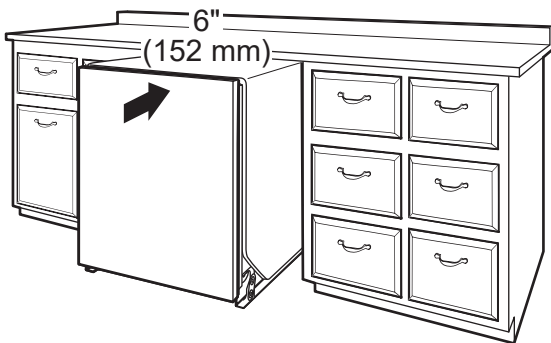
### 33. Secure installation blanket



- A. Insulation blanket
- B. Secure blanket

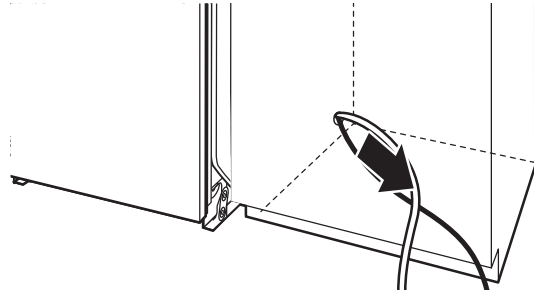
**NOTE:** Make sure insulation blanket is secured at both left and right rear corners before pushing into cabinet opening to keep the blanket from bunching up in a tight-fitting cabinet.

### 34. Move dishwasher all but 6" (152 mm) into cabinet opening



**NOTE:** Leave unit about 6" (152 mm) out from cabinet in order to install anchor brackets and adjust door tension if needed.

### 35. Pull slack from utilities



**NOTE:** Pull slack out of utilities at the same time the dishwasher is pushed into the cabinet opening to avoid any kinks.

## Choose Anchor Attachment Method

**IMPORTANT:** The dishwasher must be secured to the cabinet as one of the final steps. Prepare the dishwasher for this by attaching the 2 brackets found in the parts bag to the dishwasher.

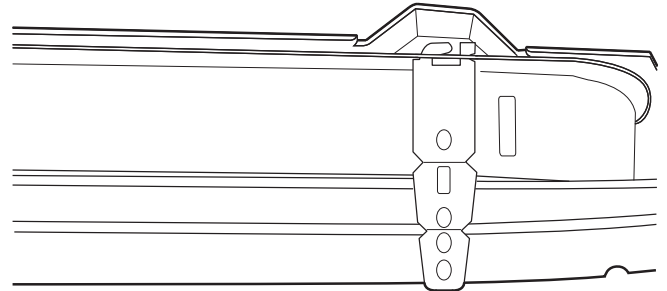
– For countertops that are wood, laminate, or another similar surface, use **Countertop Attachment**: go to step 36

– For countertops that are marble, granite, or another hard surface, use **Side Attachment**: go to step 37

**NOTE:** If the gap between the top of the door and the underside of the countertop is tight (less than 1/4" [6.35 mm]), we suggest using Side Attachment to keep from scratching the User Interface or console with the anchor screws.

**Countertop Attachment:**

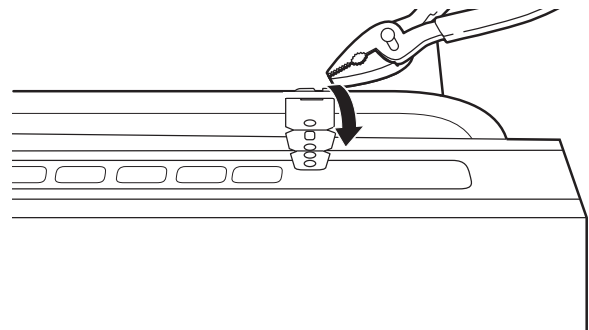
### 36. Insert bracket



**NOTE:** Tabs must point to the right.

Remove the brackets from the package and insert into the open slots on the left- and right-hand top of the dishwasher collar as shown. Go to step 41.

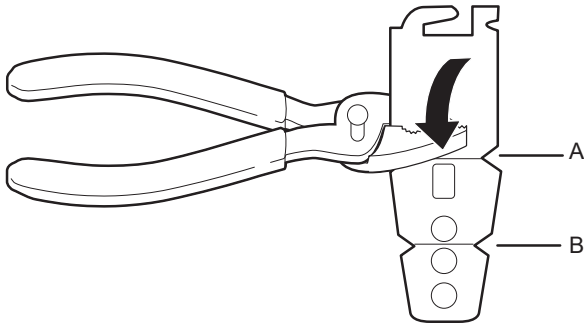
### Bend tab



Using pliers, bend/twist tab to lock the brackets in place.

## Side Attachment:

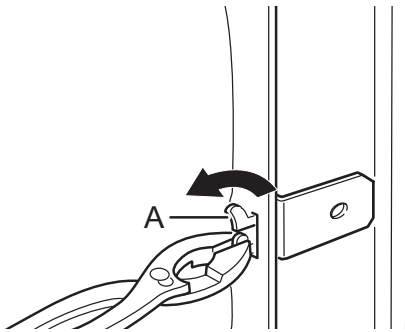
### 37. Break end of bracket



- A. Scored line for stainless steel tub models
- B. Scored line for plastic tub models

Break off the end of the bracket along the scored line using pliers.

### 38. Install bracket



- A. Bend tabs

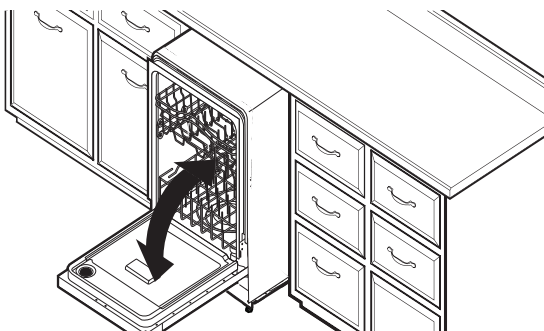
Push bracket into slot on the side of dishwasher and bend tab in toward the side of the dishwasher so that it keeps the bracket in place. Repeat this step for the other side of the dishwasher.

**NOTE:** Install wood shims to the inside of the cabinets if the gap between the sides of the cabinet and the sides of the dishwasher are greater than 1/2" (13 mm) on each side.

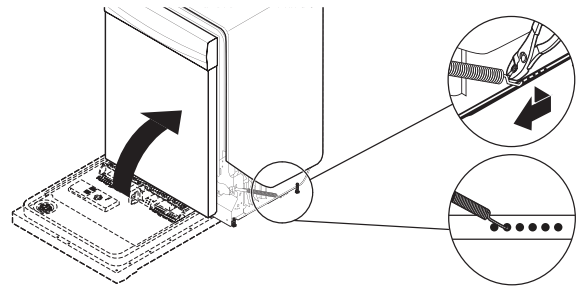
**NOTE:** Do not attach the dishwasher. This will be done later.

## Final Installation Check

### 39. Open and close door



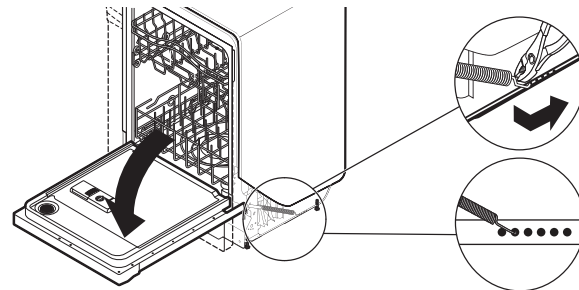
### 40. Closes too quickly – decrease spring tension



If the door closes too quickly, decrease the spring tension by moving the spring end toward the front of the dishwasher.

**NOTE:** Springs should be in the same notches on left and right sides.

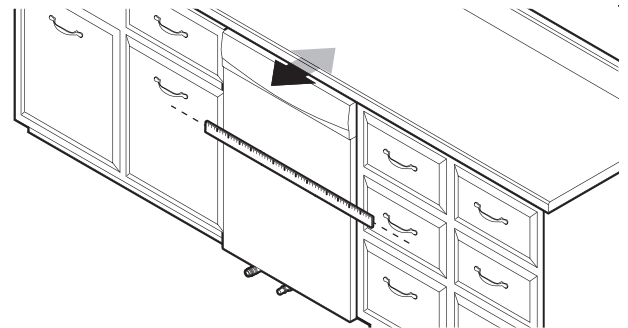
### 41. Closes too quickly – decrease spring tension



If the door falls open, increase the spring tension by moving the spring end toward the back of the dishwasher.

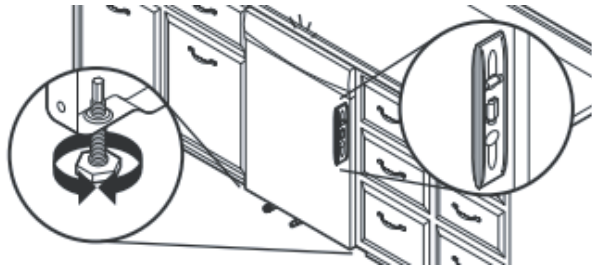
**NOTE:** Springs should be in the same notches on left and right sides.

### 42. Align front of dishwasher with front of cabinet doors



Align front of dishwasher door panel with front of cabinet doors. You may need to adjust alignment to be even with your cabinets.

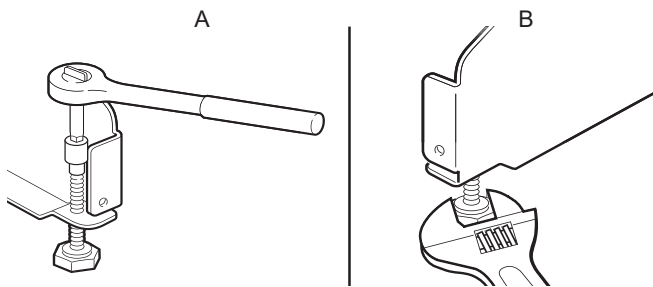
#### 43. Check for plumb and adjust legs if needed



Check that leveling legs are firmly against the floor. Close and latch the door and place level against the front panel. Check that dishwasher is centered from front to back in the opening. If needed, adjust leveling leg until dishwasher is plumb. Repeat for other side of dishwasher.

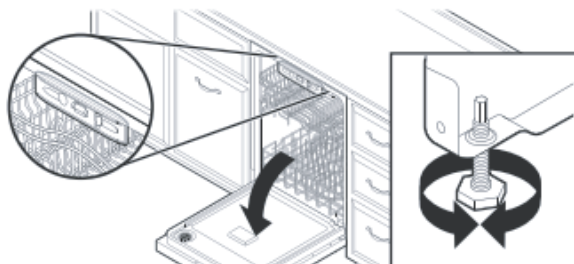
**Helpful Tip:** Push up on front of dishwasher to raise dishwasher off the ground to adjust front legs. With some installations, it may be easier to adjust the front leg using a 3/16" hex head socket or adjustable wrench. If the gap between the top of the door and the underside of the countertop is tight (less than 1/4" [6 mm]), we suggest side anchoring to keep from scratching the control panel or console.

#### Level legs



A. Preferred method  
B. Optional method

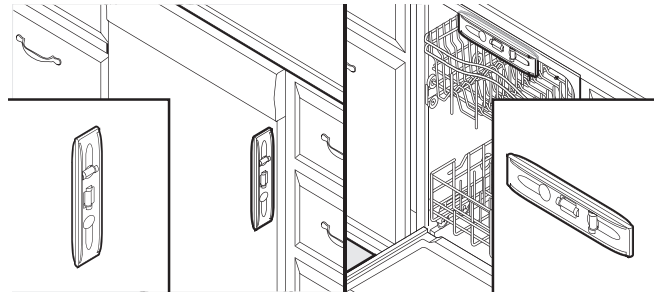
#### 44. Check level side to side and adjust legs if needed



Place level against top-front opening of tub. Check that dishwasher is level from side to side. If dishwasher is not level, adjust front legs up or down until dishwasher is level.

## Secure Dishwasher in Cabinet Opening

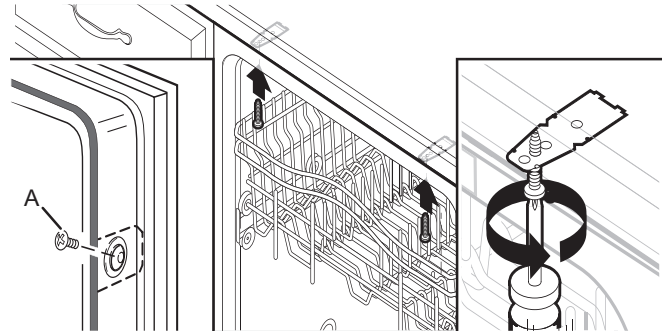
#### 45. Double-check dishwasher alignment in cabinet opening



Check that dishwasher is still level front to back and side to side in the cabinet opening.

Open dishwasher door and place towel over pump assembly and spray arm of dishwasher. For some models, you may have to remove lower dish rack. This will keep screws from falling into pump area when you are securing dishwasher to countertop or cabinet.

#### 46. Secure dishwasher



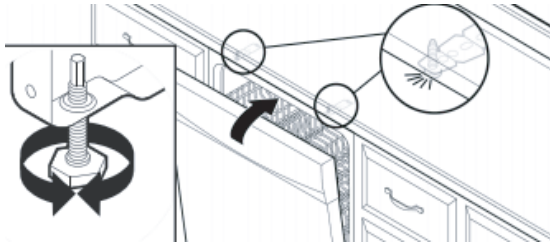
A. Screw to side cabinet

Open dishwasher door to prepare for securing the dishwasher to the countertop or side cabinet.

#### NOTES:

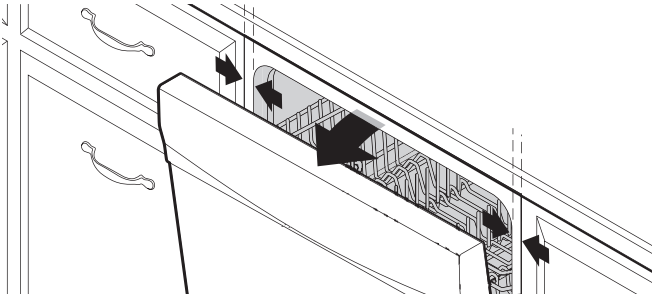
- The dishwasher must be secured to keep it from shifting when the door is opened or closed.
- Do not drop screws into bottom of dishwasher.
- Locate brackets installed in the "Choose Anchor Attachment Method" section, either on top or on the sides of the dishwasher.
- **If countertop anchoring:** Secure dishwasher to the countertop with two #10 x 1/2" Phillips-head screws (included).
- **If side anchoring:** Drill pilot holes in cabinet to avoid splitting the wood. Secure dishwasher to cabinet with two #10 x 1/2" Phillips-head screws (included). Remove upper rack for easier access.

#### 47. Check door clearance



**IMPORTANT:** Check that top of door does not contact screws, brackets, or countertop. If it does, adjust leveling legs or use the side attachment option.

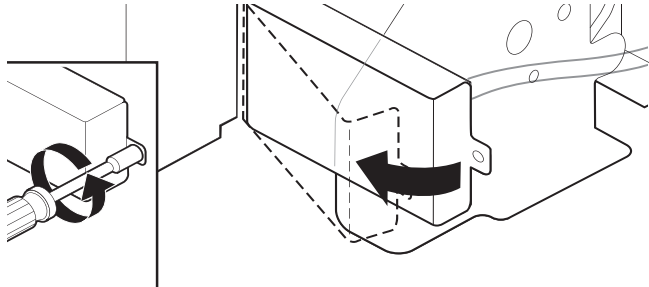
#### 48. Check inner spacing



Open door and check that space between dishwasher cabinet opening and tub is equal on both sides. If spacing is not equal, loosen bracket screws and shift tub. Tighten bracket screws.

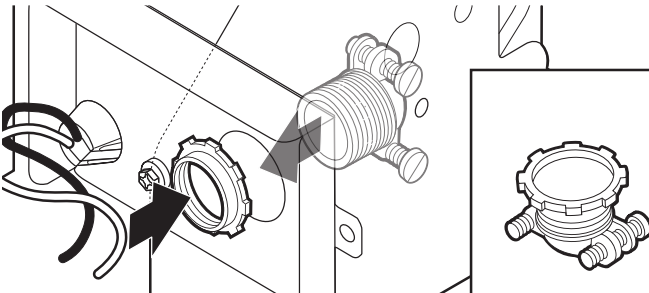
### Direct Wire Connection

#### 49. Remove terminal box cover



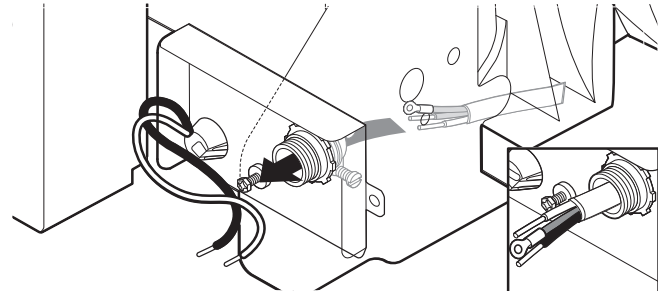
Using a 1/4" hex-head socket, nut driver, or Torx® T20® screwdriver, remove terminal box cover. Retain for later use.

#### 50. Install strain relief



Install a UL-listed/CSA-approved metallic strain relief.

#### 51. Route cable into terminal box



Route cable so that it does not touch dishwasher motor or lower part of dishwasher tub. Pull cable through UL-listed/CSA-approved strain relief in terminal box. Strain relief is not supplied with the dishwasher. Owner must purchase a 7/8" (22 mm) screw-in type strain relief.

Select UL-listed/CSA-approved twist-on wire connectors (not included) rated to connect your household wiring to 16-gauge dishwasher wiring.

## ⚠ WARNING



### Electrical Shock Hazard

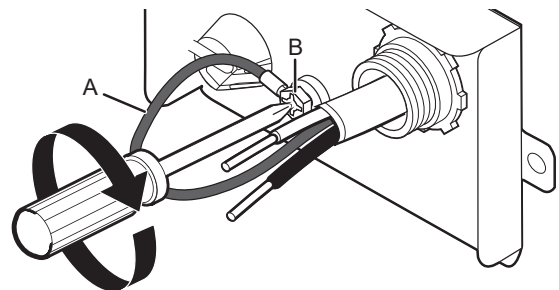
**Electrically ground appliance.**

**Connect ground wire to green ground connector in terminal box.**

**Do not use an extension cord.**

**Failure to follow these instructions can result in death, fire, or electrical shock.**

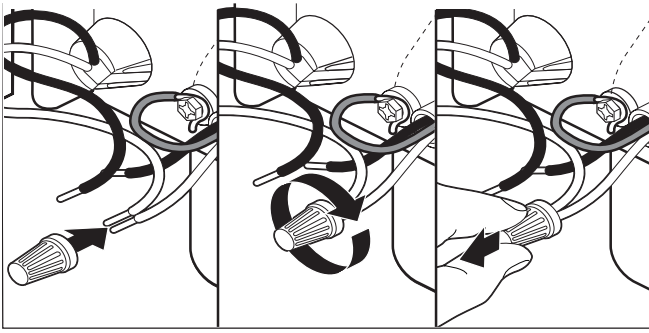
#### 52. Direct wire – connect ground wire



A. Ground wire  
B. Ground screw

Form bare ground wire into a U-shaped hook. Wrap ground wire hook clockwise around the ground connector screw and under the washer. Securely tighten ground connector screw.

### 53. Direct wire – connect remaining wires



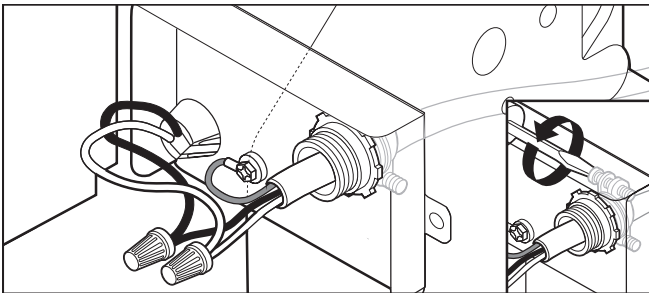
Select UL-listed/CSA-approved twist-on wire connectors of the proper size. Connect wires, black to black and white to white, using the twist-on wire connectors.

**NOTE:** Do not pre-twist stranded wire. Twist on wire connector. Gently tug on wires to be sure both are secured.

#### Wiring configuration

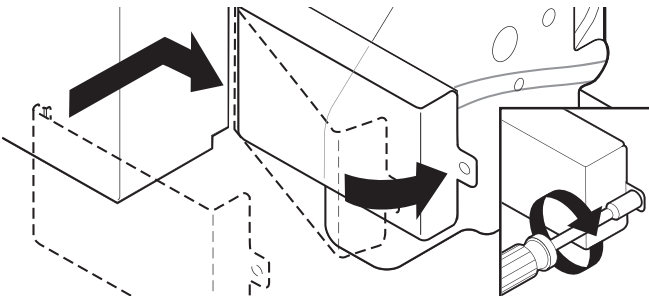
Power supply wire:		Terminal box wire:
white	↔	white
black	↔	black
ground wire	↔	ground connector

### 54. Direct wire – secure cable in strain relief



Tighten strain relief screws to secure cable.

### 55. Direct wire – reinstall terminal box cover and wires

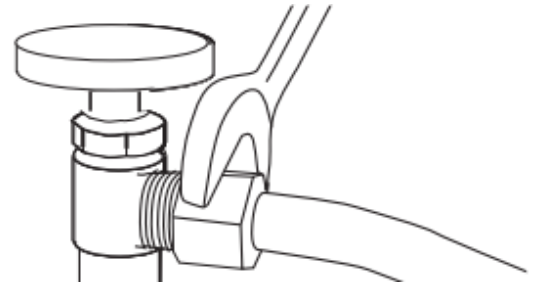


Place wires inside terminal box. Insert tabs on left side of cover. Make sure wires are tucked inside box. Close cover ensuring wires are not pinched. Use 1/4" nut driver or Torx® T20® screwdriver and previously removed screw to secure cover.

## Connect Water Line to House Shutoff Valve

**NOTE:** If using a flexible braided hose, replace inlet hose after 5 years to reduce the risk of hose failure. Record hose installation or replacement dates on the hose for future reference

### 56. Attach water supply line



Attach the water supply line (copper tubing or flexible braided line) to the hot water line using a connection configuration that is in compliance with local codes and ordinances. The water supply to the dishwasher should have a manual shutoff valve located under the sink.

## Connect Drain Hose

### 57. Connect drain hose

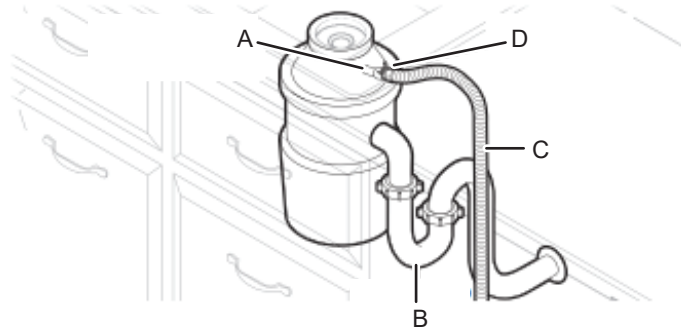
Connect drain hose to waste tee or waste disposer using one of the following options:

- Option A: Waste disposer – no air gap
- Option B: No waste disposer – no air gap
- Option C: Waste disposer – with air gap
- Option D: No waste disposer – with air gap

**IMPORTANT:** The drain hose connection of the disposer or a waste tee must be made before the drain trap and at least 20" (508 mm) above the floor where the dishwasher will be installed.

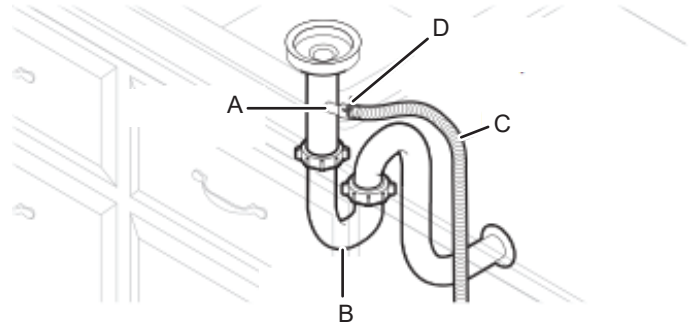
**Helpful Tip:** To reduce vibration of the hose, keep the hose away from the floor.

### Option A: Waste disposer – no air gap



- A. Disposer inlet
- B. Drain trap
- C. Drain hose
- D. Large drain hose clamp

### Option B: No waste disposer – no air gap

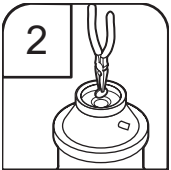


- A. Waste tee
- B. Drain trap
- C. Drain hose
- D. Large drain hose clamp

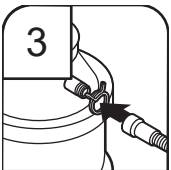
**Helpful Tip:** Remove disposer knockout plug.



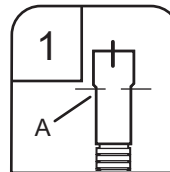
1. Using a hammer and screwdriver, knock plug into disposer.



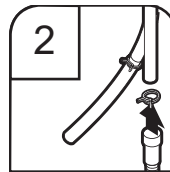
2. Use needle-nose pliers to remove plug.



3. Attach drain hose to disposer inlet with large drain hose clamp (provided). Use pliers to squeeze clamp open and move into position.

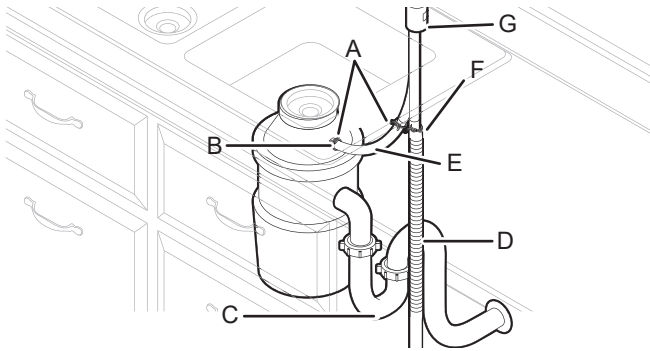


1. Fit rubber end (A) of drain hose to waste tee and cut if needed.  
**NOTE:** Do not cut ribbed section.



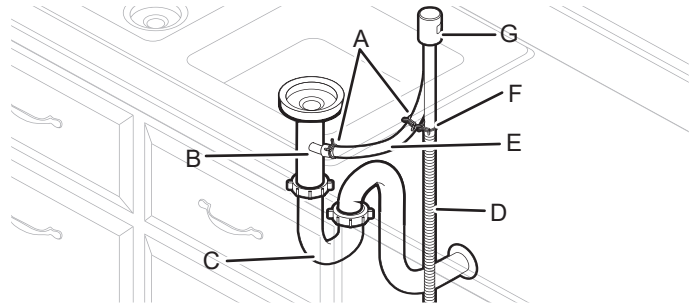
2. Attach rubber end of drain hose to waste tee with a large drain hose clamp (provided). Use pliers to squeeze clamp open and move into position. If the drain hose was cut, use a 1 1/2" to 2" (38 mm to 50 mm) screw-type clamp (not provided).

### Option C: Waste disposer – with air gap



- A. Screw-type clamps
- B. Disposer inlet
- C. Drain trap
- D. Drain hose
- E. Rubber hose connector
- F. Large drain hose clamp
- G. Air gap

### Option D: No waste disposer – with air gap

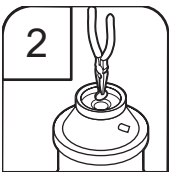


- A. Screw-type clamps
- B. Waste tee
- C. Drain trap
- D. Drain hose
- E. Rubber hose connector
- F. Large drain hose clamp
- G. Air gap

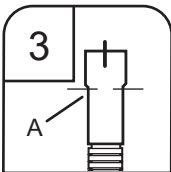
**Helpful Tip:** Remove disposer knockout plug.



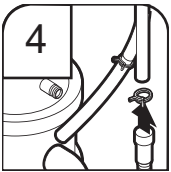
1. Using a hammer and screwdriver, knock plug into disposer.



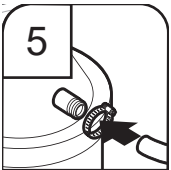
2. Use needle-nose pliers to remove plug.



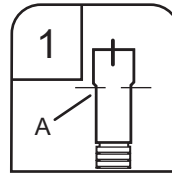
3. Connect rubber end (A) of drain hose to air gap and cut if needed.  
**NOTE:** Do not cut ribbed section.



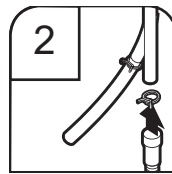
4. Attach drain hose to air gap with large drain hose clamp (provided). Use pliers to squeeze clamp open and move into position. If the drain hose was cut, use a 1 1/2" to 2" (38 mm to 50 mm) screw-type clamp (not provided).



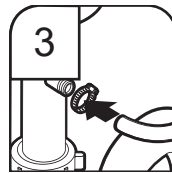
5. Use a rubber hose (not provided) with screw-type clamps (not provided) to connect from air gap to disposer inlet.



1. Connect rubber end (A) of drain hose to air gap and cut if needed.  
**NOTE:** Do not cut ribbed section.



2. Attach drain hose to air gap with large drain hose clamp (provided). Use pliers to squeeze clamp open and move into position. If the drain hose was cut, use a 1 1/2" to 2" (38 mm to 50 mm) screw-type clamp (not provided).



3. Use a rubber hose (not provided) with screw-type clamps (not provided) to connect from waste tee to air gap.

## Complete Installation

Check that the power supply wire or cord does not touch dishwasher motor or the lower part of the dishwasher tub.

### ⚠ WARNING



#### Electrical Shock Hazard

Plug into a grounded 3 prong outlet.

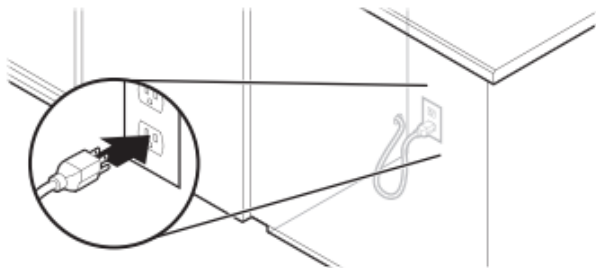
Do not remove ground prong.

Do not use an adapter.

Do not use an extension cord.

Failure to follow these instructions can result in death, fire, or electrical shock.

### 58. Power supply cord – Plug into a grounded 3 prong outlet



Plug into a grounded 3-prong outlet.

### 59. Reconnect power

Reconnect electrical power at the fuse box or circuit breaker box.

**NOTE:** With the access panel off, start the dishwasher and allow it to complete the shortest wash cycle. After the first 2 minutes, unlatch door, wait 5 seconds, and then open door. Check that there is water in the bottom of the dishwasher tub. Check that dishwasher is working properly

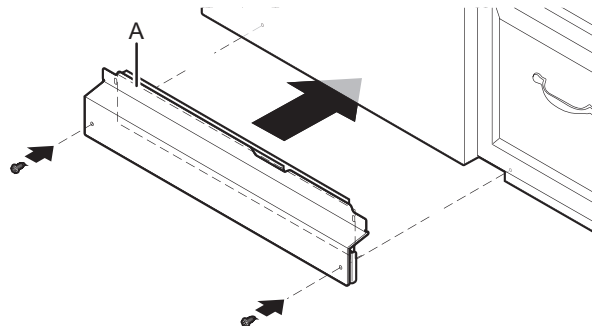
## Install Access Panel

– For Plastic, begin with step 60

– For Metal, begin with step 63

Plastic Panel:

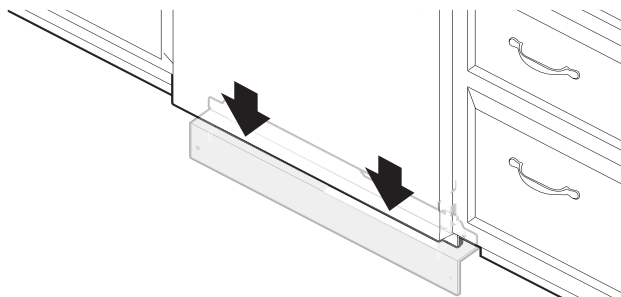
### 60. Reinstall access panel and fasteners



A. Insulation (on some models)

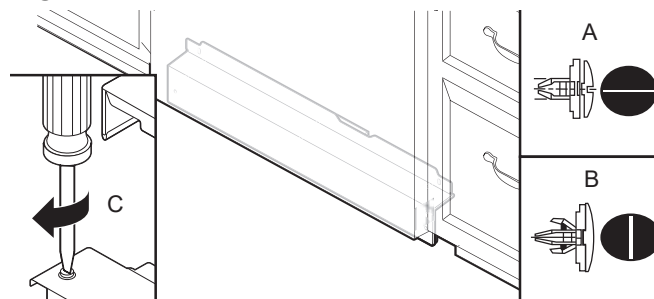
Place the plastic access panel against the dishwasher leg. Make sure insulation does not interfere with the float assembly.

### 61. Check access panel edge



Check that the lower edge of the access panel touches the floor. Adjust if necessary.

### 62. Tighten fasteners



A. Unlocked  
B. Locked

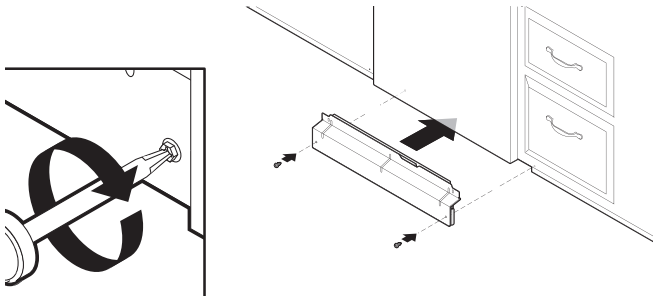
C. 1/4 turn

Using a flat-blade screwdriver, turn the fasteners 1/4 turn clockwise to lock into place. The fastener slot will be straight up and down when properly locked. Go to step 65.



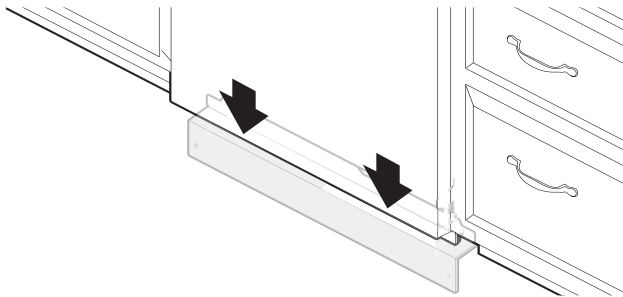
## Metal Panel:

### 63. Reinstall access panels



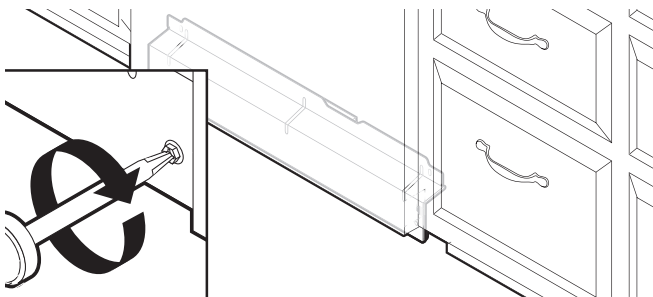
Place the panel against dishwasher legs. Using a Phillips screwdriver or 1/4" nut driver, reinstall the screws through the holes in the access panel.

### 64. Check lower panel edge



Check that the lower edge of the access panel touches the floor. Adjust if necessary.

### 65. Tighten screws



Tighten access panel screws.

## Check Operation

- Read the dishwasher Quick Start Guide that came with your dishwasher.
- Check that all parts have been installed and no steps were skipped. Check that you have all tools used.

If the dishwasher is not working properly, disconnect power or unplug dishwasher and refer to the "If Dishwasher Does Not Operate" section.

## If Dishwasher Does Not Operate

First try the solutions suggested here to possibly avoid the cost of a service call.

- Has the circuit breaker tripped or the house fuse blown?
- Is the door closed tightly and latched?
- Has the cycle been set correctly to start the dishwasher?
- Is the water turned on?

If none of these possible solutions work, refer to the contact information referenced in your Quick Start Guide.

## Additional Tips

Expect longer wash times. Your new dishwasher will average 2–5 hours per load but use nearly 40% less energy than older models. Designed with a low-wattage, low-energy-consumption motor, your dishwasher washes longer to ensure exceptional cleaning. Certain models are equipped with an optical water sensor, so the first cycle will run longer to calibrate the optical sensor. Selecting certain options could increase cycle time past 3.5 hours.

Rinse aid is necessary for good drying results:

This dishwasher is designed to be used with rinse aid for good drying performance and controlling hard-water-deposit buildup. Energy-efficient dishwashers use less water and energy, so they depend on the water sheeting action of rinse aid for good drying performance.

Start/Resume light may flash:

When pressing Start/Resume, you must make sure the door is closed within 3 seconds. If you do not close the door within 3 seconds, the Start/Resume light will flash until you press it again. (You must also do this when adding a dish during the middle of a cycle.)

Front Status Light:

For dishwashers that have a status light on the front of the door, this light will turn ON when a cycle is started and will remain on until the end of the cycle (this includes through the dry portion of the cycle) or the cycle is canceled. This front status light will turn off when the cycle is complete or canceled.

# SÉCURITÉ DU LAVE-VAISSELLE

## Votre sécurité et celle des autres sont très importantes.

Nous donnons de nombreux messages de sécurité importants dans ce manuel et sur votre appareil. Assurez-vous de toujours lire tous les messages de sécurité et de vous y conformer.



Voici le symbole d'alerte de sécurité.

Ce symbole d'alerte de sécurité vous signale les dangers potentiels de décès et de blessures graves.

Tous les messages de sécurité suivront le symbole d'alerte de sécurité et le mot « DANGER » ou « AVERTISSEMENT ». Ces mots signifient :

**▲ DANGER**

**Risque possible de décès ou de blessure grave si vous ne suivez pas immédiatement les instructions.**

**▲ AVERTISSEMENT**

**Risque possible de décès ou de blessure grave si vous ne suivez pas les instructions.**

Tous les messages de sécurité vous diront quel est le danger potentiel, comment réduire le risque de blessure et ce qui peut se produire en cas de non-respect des instructions.

## INSTRUCTIONS IMPORTANTES DE SÉCURITÉ

**AVERTISSEMENT :** Lors de l'utilisation du lave-vaisselle, il convient d'observer certaines précautions fondamentales, dont :

- Lire toutes les instructions avant d'utiliser le lave-vaisselle.
- Utiliser le lave-vaisselle uniquement pour laver de la vaisselle.
- Utiliser seulement des détergents et agents mouillants recommandés pour les lave-vaisselle. Garder ces produits hors de la portée des enfants.
- Lors du chargement d'articles à laver :
  1. Placer les articles coupants pour qu'ils ne risquent pas d'endommager le joint de la porte; et
  2. Placer les couteaux la poignée vers le haut pour réduire les risques de blessure.
- Ne pas laver d'articles en plastique, sauf s'il est indiqué « lavable au lave-vaisselle » ou une mention équivalente. Pour les articles en plastique qui ne sont pas ainsi identifiés, vérifier les recommandations du fabricant.
- Ne pas toucher les éléments chauffants pendant ou immédiatement après l'utilisation.
- Ne pas mettre en marche le lave-vaisselle si un panneau de l'enceinte n'est pas correctement installé.
- Ne pas effectuer d'intervention non autorisée sur les commandes.
- Ne pas abuser de, s'asseoir sur ou se mettre debout sur la porte, ou les paniers à vaisselle du lave-vaisselle.
- Pour réduire les risques de blessure, ne pas laisser les enfants jouer dans ou près d'un lave-vaisselle.
- Dans certaines conditions, un système d'eau chaude qui n'a pas été utilisé depuis 2 semaines ou plus peut produire de l'hydrogène. L'HYDROGÈNE EST UN GAZ EXPLOSIF. Si le système d'eau chaude est resté inutilisé pendant une telle période, ouvrir tous les robinets d'eau chaude et laisser l'eau s'en écouler pendant plusieurs minutes avant d'utiliser le lave-vaisselle. Ceci libérera toute accumulation d'hydrogène. Le gaz est inflammable : ne pas fumer ou utiliser une flamme nue durant cette période.
- Enlever la porte du compartiment de lavage lorsqu'on cesse d'utiliser un vieux lave-vaisselle ou qu'on le jette.
- Ne pas utiliser de pièces de remplacement qui n'ont pas été recommandées par le fabricant (c.-à-d., pièces fabriquées à la maison à l'aide d'une imprimante 3D).

**CONSERVER CES INSTRUCTIONS**

## INSTRUCTIONS DE LIAISON À LA TERRE

### ❑ Pour un lave-vaisselle avec liaison à la terre et cordon d'alimentation :

Ce lave-vaisselle doit être relié à la terre. En cas d'anomalie de fonctionnement ou de panne, la liaison à la terre réduira le risque de décharge électrique en offrant au courant électrique un itinéraire d'évacuation de moindre résistance. Le lave-vaisselle est doté d'un cordon électrique comportant un conducteur de mise à la terre d'équipement et une fiche de branchement de liaison à la terre. La fiche doit être branchée à une prise de courant appropriée, bien installée et reliée à la terre conformément à tous les codes et règlements locaux.

**AVERTISSEMENT :** Un raccordement inapproprié du conducteur de mise à la terre de l'équipement peut causer un risque de décharge électrique.

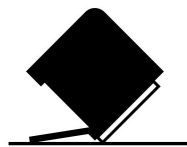
Consulter un électricien ou un représentant de service qualifié en cas de doute quant à la qualité de la liaison à la terre du lave-vaisselle. Ne pas modifier la fiche fournie avec ce lave-vaisselle; si elle ne correspond pas à la prise de sortie, faire installer une prise appropriée par un électricien qualifié.

### ❑ Pour un lave-vaisselle branché en permanence :

Le lave-vaisselle doit être raccordé à un système de câblage permanent en métal relié à la terre; si ce n'est pas le cas, un conducteur de mise à la terre d'équipement doit être en fonction avec les conducteurs de circuit et raccordés à la borne de mise à la terre d'équipement ou la borne sur le lave-vaisselle.

**CONSERVER CES INSTRUCTIONS**

## **AVERTISSEMENT**



### **Risque de basculement**

**Ne pas utiliser le lave-vaisselle jusqu'à ce qu'il soit complètement installé.**

**Ne pas appuyer sur la porte ouverte.**

**Le non-respect de ces instructions peut causer des blessures graves ou des coupures.**

# ENTRETIEN ET RÉPARATION DU LAVE-VAISSELLE

## Instructions d'entretien pour l'utilisateur

### Nettoyage de l'extérieur

Nettoyer l'extérieur du lave-vaisselle seulement avec un chiffon doux et humide et un détergent doux. Si le lave-vaisselle possède une surface extérieure en acier inoxydable, il se peut que cette dernière soit recouverte d'une pellicule résistante aux traces de doigts. Ne pas utiliser de produits nettoyants abrasifs sur la surface extérieure du lave-vaisselle.

### Nettoyage et entretien de l'intérieur

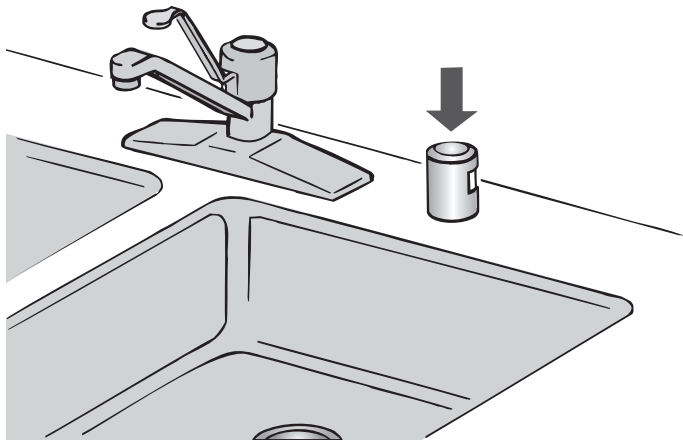
Plusieurs détergents peuvent laisser des taches ou résidus blancs sur la vaisselle ou l'intérieur du lave-vaisselle. Avec le temps, ces résidus peuvent devenir indésirables et nuire au bon fonctionnement du lave-vaisselle. Utiliser un produit comme le nettoyant pour lave-vaisselle affresh®† peut aider à éliminer ces résidus. Une utilisation mensuelle du nettoyant®† pour lave-vaisselle affresh est recommandé pour aider à entretenir le lave-vaisselle. Suivre les indications sur l'emballage.

Il est aussi possible d'effectuer un rinçage au vinaigre pour éliminer les résidus blancs. Cependant, le vinaigre est un acide et son utilisation trop fréquente pourrait endommager le lave-vaisselle.

Verser 2 tasses (500 ml) de vinaigre blanc dans un verre ou une tasse à mesurer lavable au lave-vaisselle et placer le contenant dans le panier inférieur (ne pas verser le vinaigre dans le fond du lave-vaisselle). Faire exécuter au lave-vaisselle un programme de lavage complet avec séchage à l'air ou une option de séchage économique. Ne pas utiliser de détergent. Le vinaigre se mélangera à l'eau de lavage.

**REMARQUE :** Nous recommandons des pastilles ou des sachets de détergent prémesuré de grande qualité, ainsi que de l'agent de rinçage pour effectuer le nettoyage du lave-vaisselle et pour une utilisation quotidienne.

Inspecter et nettoyer le dispositif anti-refoulement, le cas échéant, si le lave-vaisselle ne se vidange pas correctement.



## Pour réduire le risque de dommages matériels durant les vacances ou une période d'inutilisation prolongée

- Si l'on n'utilise pas le lave-vaisselle pendant l'été, couper l'arrivée d'eau et l'alimentation électrique du lave-vaisselle.
- S'assurer que les tuyaux d'alimentation en eau sont protégés contre le gel. La formation de glace dans les canalisations d'arrivée d'eau peut entraîner une élévation de la pression en eau et endommager le lave-vaisselle ou le domicile. La garantie de l'appareil ne couvre pas les dommages imputables au gel.
- Lors du remisage du lave-vaisselle pendant l'hiver, éviter tout dommage lié à l'eau en faisant hiverner le lave-vaisselle par un fournisseur de services agréé.

## Nettoyage des filtres

Il est très facile de retirer et d'entretenir les filtres. Le tableau ci-dessous indique la fréquence de nettoyage recommandée.

Intervalle de nettoyage recommandés pour le nettoyage du filtre			
Nombre de charges par semaine	Si les plats ne sont que grattés avant le chargement*	Si les plats sont grattés et rincés avant le chargement	Si les plats sont lavés avant le chargement
8-12	Tous les deux mois	Tous les quatre mois	Une fois par an
4-7	Tous les deux mois	Une fois par an	Une fois par an
1-3	Deux fois par an	Une fois par an	Une fois par an

\*Conseil du fabricant : Ceci permet d'économiser l'eau et l'énergie utilisées pour la préparation des plats. Cela aide à épargner également du temps et des efforts.

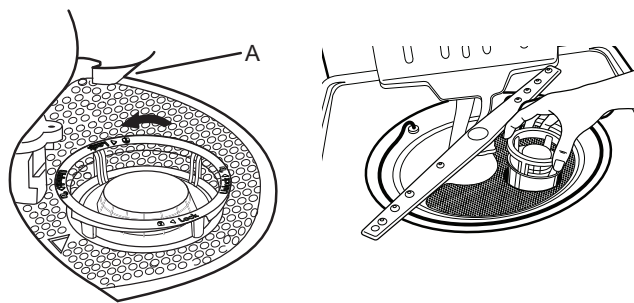
## Eau très dure

Si l'eau du domicile est très dure (au-delà de 15 grains), nettoyer le filtre au moins une fois par mois. L'accumulation de résidus blancs dans le lave-vaisselle est le signe d'une eau dure. Pour des conseils sur l'élimination des taches, voir la section « Dépannage ».

**REMARQUE :** Les références en ligne se trouvent dans le guide de démarrage rapide.

## Instructions de retrait du filtre

1. Tourner le filtre supérieur d'un quart de tour dans le sens antihoraire et le soulever.
2. Séparer le filtre supérieur en le détachant avec précaution.
3. Nettoyer les filtres comme indiqué.

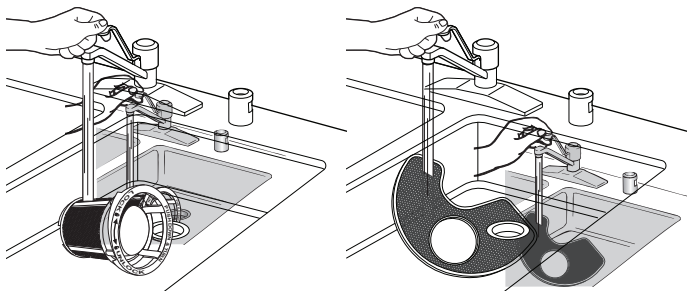


A. Patte de positionnement

## Instructions de nettoyage

**IMPORTANT :** Ne pas utiliser de brosse métallique, de tampon à récurer, ou d'objets similaires, car ils peuvent endommager les filtres.

Rincer le filtre sous l'eau courante jusqu'à ce que la plupart des saletés soient éliminées. Si l'on remarque la présence de saletés ou de dépôts de calcaire causés par l'eau dure difficiles à éliminer, l'emploi d'une brosse douce sera peut-être nécessaire.

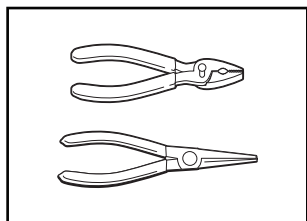


## EXIGENCES D'INSTALLATION

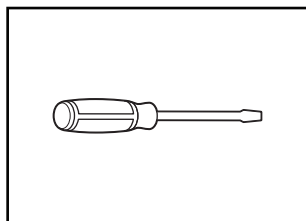
### Outils et pièces

Rassembler les outils et composants nécessaires avant d'entreprendre l'installation. Lire et observer les instructions fournies avec chacun des outils de la liste ci-dessous.

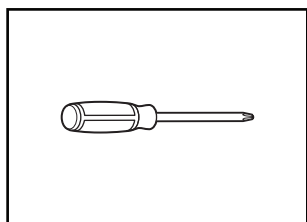
#### Outils requis :



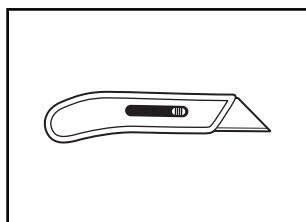
Pince



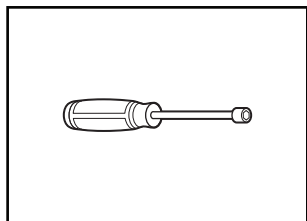
Tournevis à tête plate



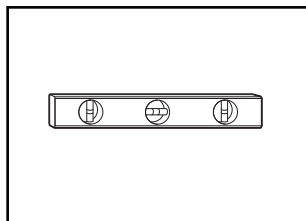
Tournevis à tête cruciforme



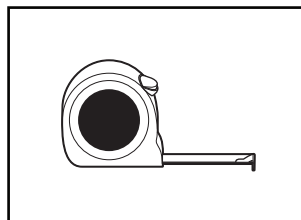
Couteau utilitaire



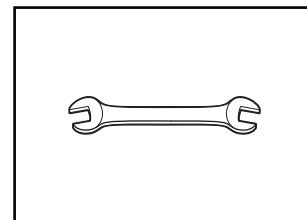
Tourne-écrou ou clé à douille de 5/16 po (8 mm) et 1/4 po (6,35 mm)



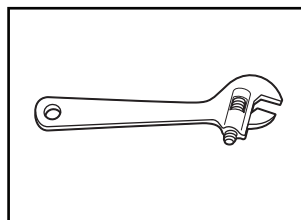
Petit niveau



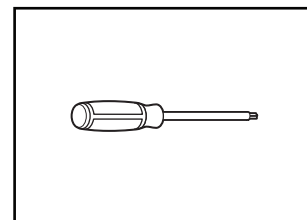
Mètre-ruban ou règle



Clé ouverte de 5/8 po (16 mm)

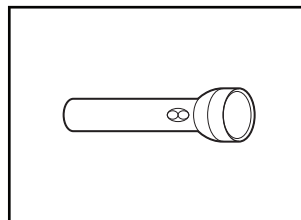


Clé à molette de 10 po (254 mm) avec ouverture jusqu'à 1 1/8 po (29 mm)

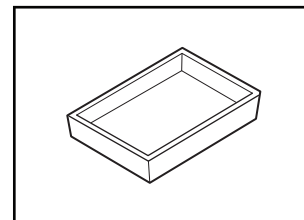


Torx<sup>®</sup>† T20<sup>®</sup> et, si des panneaux avant personnalisés sont installés, Torx<sup>®</sup> T15<sup>†</sup> tournevis

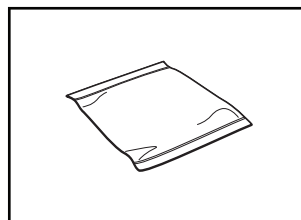
#### Autres articles utiles pouvant être nécessaires :



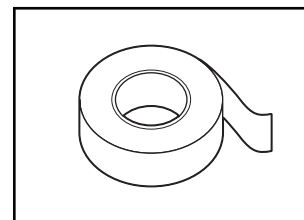
Lampe de poche



Plat peu profond

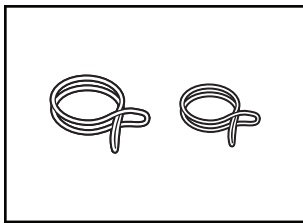


Serviette de bain



Ruban de masquage ou ruban adhésif

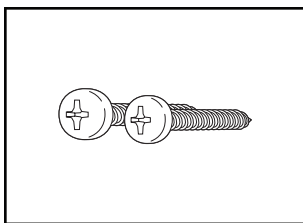
## Pièces fournies



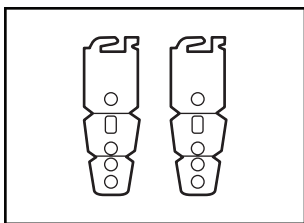
Brides pour tuyau de décharge  
(2) (1 grosse/rouge et 1  
petite/verte)



Tuyau d'évacuation

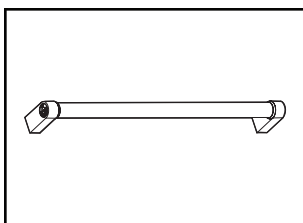


Tournevis cruciforme no 10 x  
1/2 po (12,7 mm) (2)



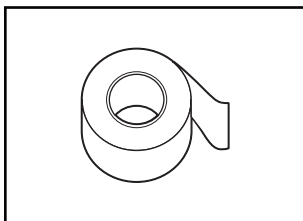
Supports de fixation (au-  
dessous du comptoir) (2)

S'assurer que toutes ces pièces sont comprises avec le sachet de documentation.



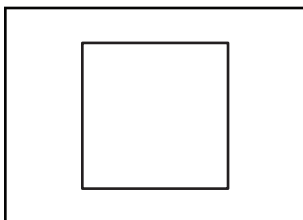
Poignée de porte (sur certains  
modèles)

## Accessoires facultatifs disponibles :



### Ruban de barrière anti- humidité

**REMARQUE :** Du ruban de barrière anti-humidité est recommandé si le lave-vaisselle est installé sous un comptoir de cuisine en bois.



### Ensemble de panneaux latéraux

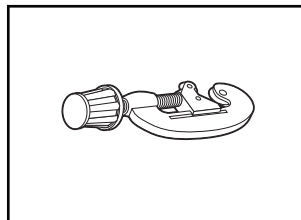
Pour fermer le côté du lave-vaisselle lorsqu'il est installé à l'extrémité de l'armoire (le numéro de pièce Whirlpool varie en fonction de la couleur).

Nous contacter au numéro sans frais ou visiter notre page Web dont l'adresse figure dans le guide de démarrage rapide pour des informations sur les accessoires optionnels.

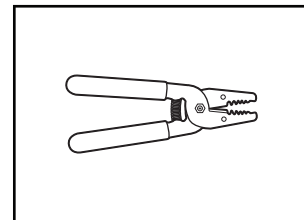
## Première installation

Consulter les codes locaux. Vérifier l'alimentation électrique existante. Voir la section « Spécifications électriques ». Il est recommandé de faire réaliser tous les raccordements électriques par un électricien qualifié agréé.

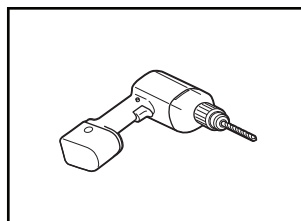
## Outillage supplémentaire nécessaire :



Petit coupe-tube

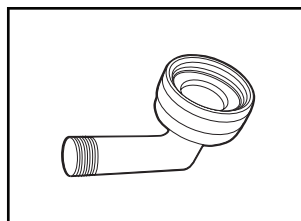


Pince à dénuder

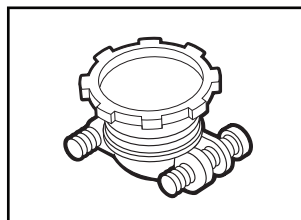


Avec scie-cloche de 1/2 po  
(12,7 mm), 3/4 po (19 mm) et  
1 1/2 po (38,1 mm)

## Pièces supplémentaires nécessaires (non fournies) :

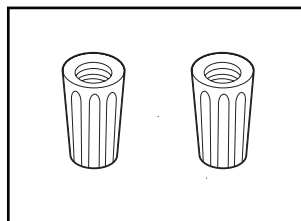


**Raccord de tuyau coudé à  
90° de 3/4 po (19 mm) x  
3/8 po (9,5 mm) d'extrémité  
de compression** avec joint  
caoutchouc (nécessaire pour  
raccorder correctement la  
canalisation d'eau du domicile  
au lave-vaisselle)



**Serre-câbles métallique pour  
câblage du domicile** qui  
convient à l'orifice de 7/8 po  
(22 mm) (nécessaire pour  
raccorder correctement le câble  
du domicile au boîtier de  
connexion du lave-vaisselle)

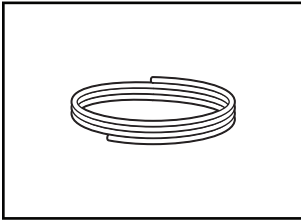
**REMARQUE :** Utiliser  
seulement : Droit : No de pièce  
Whirlpool 4317824, 90° :  
Référence Whirlpool  
W10278923RP



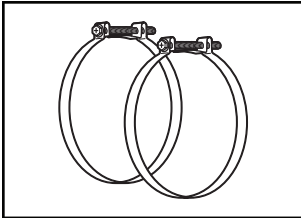
### Capuchons de connexion

#### REMARQUES :

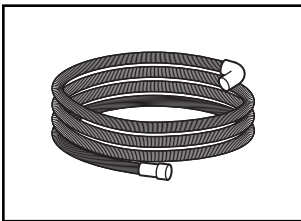
- Confirmer une taille correcte pour connecter le calibre du câblage du domicile au câblage de calibre 16 du lave-vaisselle.
- Utiliser seulement : Droit : No de pièce Whirlpool 4317824, 90° : Référence Whirlpool W10278923RP



**Tube de cuivre** (diamètre externe de 3/8 po [9,5 mm] suggéré) ou ensemble de canalisation d'arrivée d'eau flexible à tresse d'acier.



**Bride à vis** 1 1/2 po à 2 po (38 mm à 50 mm) (maximum 3)



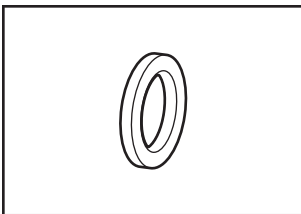
**Plus long tuyau de vidange optionnel d'une longueur maximale de 12 pi (3,7 m)**

**REMARQUE :** Doit être conforme à toutes les normes de test AHAM/IAPMO, convenir à des raccordements de vidange de 1 po (25 mm) et être résistant à la chaleur et aux détergents.

**REMARQUE :** S'assurer d'acheter uniquement des pièces et des accessoires Whirlpool certifiés par le fabricant de l'appareil. Il se peut que l'installation nécessite des pièces supplémentaires. Pour commander, consulter les coordonnées indiquées dans le guide de démarrage rapide.

**REMARQUE :** Si l'on utilise un tuyau flexible tressé, remplacer le tuyau d'alimentation après 5 ans d'utilisation pour réduire le risque de défaillance du tuyau. Inscrive la date d'installation ou de remplacement du tuyau sur celui-ci, pour référence ultérieure.

#### Pour les installations à raccordement direct

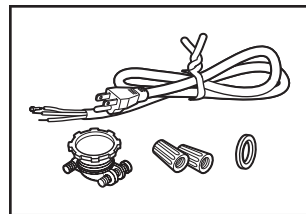


#### Œillet pour armoire

Pour trou de 1 1/2 po (38 mm) dans l'armoire

**REMARQUE :** Nécessaire pour les armoires métalliques

#### Pour un cordon d'alimentation



#### Ensemble du cordon d'alimentation

L'ensemble comprend habituellement un cordon d'alimentation, un serre-câbles métallique, un œillet et des connecteurs de fils. (Droit : No de pièce Whirlpool 4317824, 90° : No de pièce Whirlpool W10278923RP). Pour s'assurer d'installer l'appareil correctement, consulter les instructions d'installation fournies avec l'ensemble.

**REMARQUE :** S'assurer d'acheter uniquement des pièces et des accessoires Whirlpool certifiés par le fabricant de l'appareil. Il se peut que l'installation nécessite des pièces supplémentaires. Pour commander, consulter les coordonnées indiquées dans le guide de démarrage rapide.

## Exigences d'emplacement

L'appareil doit être entièrement encastré (sur le dessus, les côtés, l'arrière et au sol) dès l'installation. Un ensemble de panneaux latéraux est disponible chez votre marchand pour l'installation du lave-vaisselle à l'extrémité d'une rangée d'armoires.

Une barrière anti-humidité en option est également disponible pour l'installation sous un plan de travail en bois.

Inspecter l'emplacement d'installation du lave-vaisselle. Il doit comporter les caractéristiques suivantes :

- "Accès facile pour chargement et déchargement de la vaisselle. Dans le cas de l'installation dans un angle, on doit pouvoir établir un dégagement de 2 po (51 mm) ou plus entre le côté de la porte du lave-vaisselle et le mur ou l'armoire. "
- Facilité d'accès aux canalisations d'eau et d'évacuation et à la source d'électricité :
  - Une source d'électricité avec liaison à la terre est nécessaire.
  - Ce lave-vaisselle est doté d'une fonction de chauffage de l'eau et doit être raccordé à la canalisation d'alimentation en eau chaude.
  - Veiller à ce que les canalisations d'eau et d'évacuation et les câbles électriques se trouvent dans les limites de la zone marquée en gris illustrée dans la section "Dimension de l'ouverture de l'armoire".
  - Ne pas placer de canalisation d'évacuation, canalisation d'eau ou câblage électrique à un endroit où cela susciterait interférence ou contact avec les pieds ou les moteurs du lave-vaisselle.
  - Protéger du gel le lave-vaisselle et les canalisations d'eau qui l'alimentent. La garantie de l'appareil ne couvre pas les dommages imputables au gel.
- "Si le lave-vaisselle ne doit pas être utilisé pendant une période prolongée ou s'il est laissé à un endroit qui pourrait être exposé au gel, veiller à faire exécuter les opérations de pré-hivernage par un technicien compétent. "
- S'il est installé dans une nouvelle construction, enlever tout débris de l'arrivée d'eau avant de la brancher à la valve de distribution. Les débris qui ne sont pas enlevés de l'eau pourraient obturer le filtre de la valve de distribution.

- Une ouverture carrée offrant l'esthétique appropriée et permettant un fonctionnement correct.
- La façade des armoires perpendiculaire au plancher.
- Un plancher de niveau.

**Conseil utile :** S'il y a un écart de niveau sur le plancher entre l'avant et l'arrière de l'emplacement d'installation, il pourrait être nécessaire d'utiliser des cales pour établir l'aplomb du lave-vaisselle.

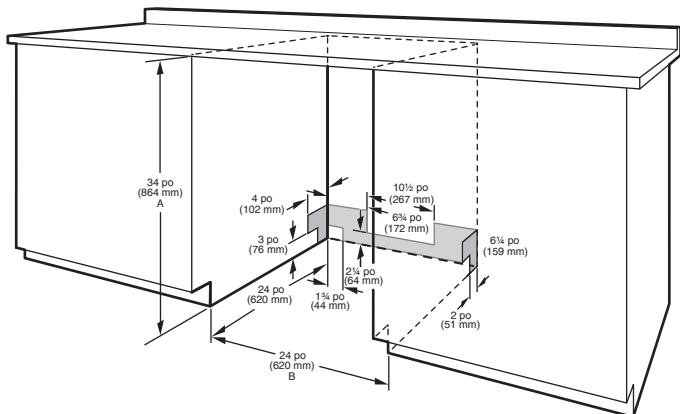
**REMARQUE :** Pour éviter tout déplacement des cales durant le fonctionnement du lave-vaisselle, les cales doivent être solidement fixées au plancher.

- À l'emplacement d'installation du lave-vaisselle, on doit pouvoir établir le dégagement approprié entre le moteur et le plancher. Le moteur ne doit pas toucher le plancher.
- Ne pas installer le lave-vaisselle par-dessus un tapis.

## Dimensions de l'ouverture de l'armoire

### Dégagements

Vérifier que toutes les surfaces n'ont aucune aspérité qui empêcherait l'installation du lave-vaisselle.



A. Mesure depuis le point le plus bas de la face inférieure du comptoir. Cette dimension peut être réduite à 33 1/2 po (851 mm) en retirant les roulettes du lave-vaisselle et en perforant l'isolant (la plaque d'insonorisation) de l'appareil.

B. Dimension minimale mesurée au point le plus étroit de l'ouverture.

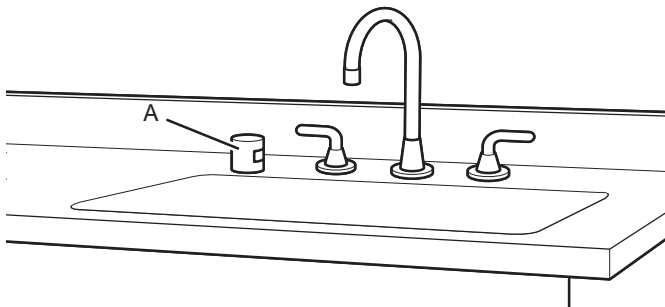
**REMARQUE :** Les zones grisées des parois de l'armoire indiquent les endroits où les raccordements électriques peuvent être installés.

## Exigences d'évacuation

■ Un tuyau d'évacuation neuf est fourni avec le lave-vaisselle. Si le tuyau d'évacuation n'est pas suffisamment long, utiliser un tuyau d'évacuation neuf d'une longueur maximale de 12 pi (3,7 m) satisfaisant à toutes les normes de test AHAM/IAPMO en vigueur, qui soit résistant à la chaleur et au détergent et qui convienne au raccord d'évacuation de 1 po (25 mm) du lave-vaisselle.

**REMARQUE :** Ne pas raccorder plusieurs tuyaux de vidange.

- Veiller à raccorder le tuyau d'évacuation à la canalisation d'égout en T ou au raccord de broyeur à déchets en amont du siphon du circuit de plomberie du domicile, et à au moins 20 po (508 mm) au-dessus du sol. On recommande de lover le tuyau d'évacuation et de le fixer solidement sur la face inférieure du comptoir ou de le raccorder à un dispositif de brise-siphon.
- Utiliser un dispositif de brise-siphon si le tuyau d'évacuation est raccordé au circuit de plomberie du domicile à moins de 20 po (508 mm) au-dessus du sous-plancher ou du plancher.



A. Brise-siphon

- Si nécessaire, le dispositif de brise-siphon doit être installé conformément aux instructions d'installation de ce dernier. Lors du raccordement du dispositif de brise-siphon à la canalisation d'égout en T ou au raccord de broyeur à déchets, un tuyau en caoutchouc (non fourni) sera nécessaire.
- Utiliser des raccords de canalisation d'évacuation de diamètre intérieur de 1/2 po (12,7 mm) minimum.

## Spécifications de l'alimentation en eau

- Ce lave-vaisselle est doté d'une fonction de chauffage de l'eau et doit être raccordé à la canalisation d'alimentation en eau chaude.
- Une canalisation d'eau chaude, sous pression de 20 à 120 lb/po<sup>2</sup> (138 à 827 kPa), peut être inspectée par un plombier certifié.
- Température de 120 °F (49 °C) à l'entrée du lave-vaisselle.
- Tube de cuivre de 3/8 po (9,5 mm) de diamètre externe avec raccord de compression ou canalisation d'alimentation en eau flexible à tresse d'acier.

**REMARQUE :** L'emploi d'un tuyau de plastique d'un minimum de 1/2 po (12,7 mm) n'est pas recommandé.

- Raccord coudé à 90° avec raccord de tuyau de 3/4 po (19 mm) et rondelle de caoutchouc.
- Ne pas souder à moins de 6 po (152 mm) de l'électrovanne d'admission d'eau.
- S'il est installé dans une nouvelle construction, vous assurer que l'entrée d'eau de la maison a été nettoyée avant d'effectuer le branchement au lave-vaisselle pour en enlever les débris possibles.

**REMARQUE :** S'il remplace un lave-vaisselle existant, il est recommandé d'installer une nouvelle entrée d'eau et vider le tuyau de vidange (fourni) avec le nouveau lave-vaisselle.

## Spécifications électriques

S'assurer que le raccordement électrique est adéquat et conforme au code national de l'électricité, ANSI/NFPA 70 – dernière édition, et à tous les codes et règlements locaux en vigueur.

Pour obtenir un exemplaire gratuit des normes des codes ci-dessus, contacter :

National Fire Protection Association  
1 Batterymarch Park  
Quincy, MA 02169-7471

### Il vous faut :

- Alimentation de 120 V CA à 60 Hz et protégée par un fusible de 15 ou 20 A.
- Conducteurs de cuivre uniquement.
- Un maximum de deux conducteurs d'alimentation (calibre 12 AWG maximum) plus un conducteur de mise à la terre est autorisé dans le boîtier de connexion.

### Nous recommandons :

- L'utilisation d'un fusible ou disjoncteur temporisé.

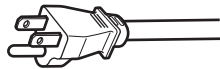
### Spécifications du circuit :

- Le lave-vaisselle peut être installé sur le même circuit que le broyeur à déchets en s'assurant que ce circuit ne dépasse pas la charge nominale et qu'il respecte les normes et codes dont, mais ne se limitant pas, au code national de l'électricité, ANSI/NFPA 70 – dernière édition.
- Aucun autre raccordement électrique que ceux des conducteurs d'alimentation et de mise à la terre du lave-vaisselle ne peuvent être effectués à l'intérieur du boîtier de connexion du lave-vaisselle.

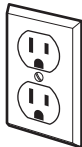


## Pour le raccordement du lave-vaisselle avec un cordon d'alimentation électrique :

- Utiliser un cordon d'alimentation (homologation UL) conçu pour utilisation avec un lave-vaisselle. Voir la section « Outils et pièces » pour les détails sur les pièces.



- Brancher l'appareil dans une prise à 3 alvéoles reliée à la terre. La prise doit être conforme à tous les codes et règlements locaux.



## Pour le raccordement direct du lave-vaisselle :

- Utiliser des conducteurs de cuivre gainés non métalliques ou blindés souples avec conducteur de liaison à la terre qui satisfassent aux exigences de l'installation électrique du domicile, et qui soient conformes aux prescriptions des codes et règlements locaux.



- Utiliser un serre-câbles homologué UL ou CSA.

## INSTRUCTIONS D'INSTALLATION

### ⚠ AVERTISSEMENT



#### Risque de basculement

**Ne pas utiliser le lave-vaisselle jusqu'à ce qu'il soit complètement installé.**

**Ne pas appuyer sur la porte ouverte.**

**Le non-respect de ces instructions peut causer des blessures graves ou des coupures.**

### Il faut :

- Ouvrir lentement la porte du lave-vaisselle tandis qu'une autre personne saisit l'arrière du lave-vaisselle. Enlever le matériau d'expédition et le tuyau de vidange. Fermer la porte du lave-vaisselle; elle doit s'enclencher.

**REMARQUE :** Chaque lave-vaisselle a été testé en usine — en raison de ces tests, il est possible qu'il reste un peu d'eau dans la cuve du lave-vaisselle.

- Observer les dispositions de tous les codes et règlements en vigueur.
- Installer le lave-vaisselle conformément aux prescriptions des présentes instructions.
- L'installation doit être exécutée par un technicien qualifié.
- Le lave-vaisselle doit être installé conformément aux dispositions de tous les codes et règlements locaux et nationaux régissant les installations de plomberie et d'électricité.

- L'installation ou le retrait de l'appareil doit se faire avec précaution afin de réduire le risque d'endommagement du cordon d'alimentation.

**AVERTISSEMENT:** Afin de réduire le risque d'incendie, de choc électrique ou de blessures corporelles, l'installateur doit s'assurer que le lave-vaisselle est complètement encastré au moment de l'installation.

## Avant de commencer

### ⚠ AVERTISSEMENT



#### Risque de décharge électrique

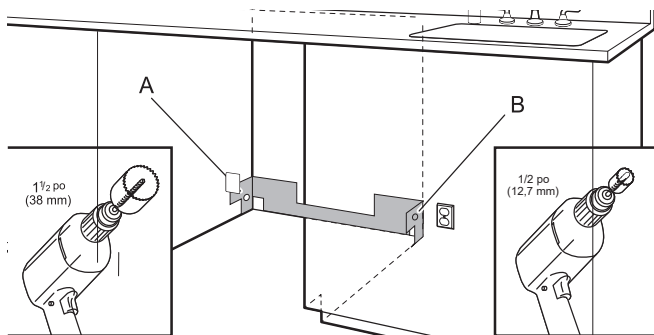
**Interrompre l'alimentation électrique au niveau du tableau de distribution (fusible ou disjoncteur) avant d'installer l'appareil.**

**Le non-respect de ces instructions peut causer un décès ou une décharge électrique.**

- 1. Déconnecter la source de courant électrique**  
Interrompre l'alimentation électrique au niveau du tableau de distribution (fusible ou disjoncteur) avant d'installer le lave-vaisselle.
- 2. Couper l'arrivée d'eau**  
Fermer l'approvisionnement en eau du lave-vaisselle.

## Préparation de l'emplacement – nouvelles unités

### 3. Emplacement des trous à percer – nouvelle construction



A. Emplacement optionnel  
B. Emplacement souhaité

La prise d'alimentation de l'appareil doit être installée dans une armoire ou au mur adjacent, dans l'espace sous le comptoir où l'appareil sera installé.

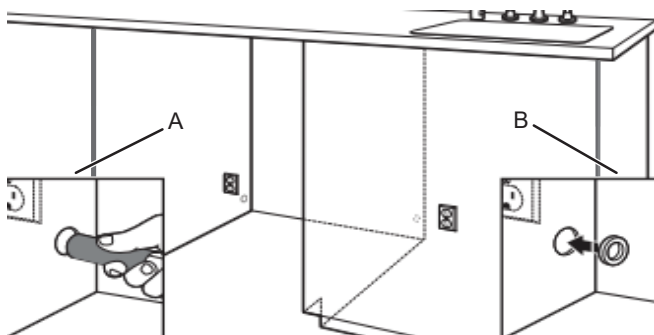
**REMARQUE :** Consulter la section « Dimensions de l'emplacement d'installation » pour connaître l'emplacement exact des trous et les dimensions des zones grises.

Percer un trou de 1 1/2 po (38 mm) pour le tuyau de vidange sur le côté ou l'arrière de l'armoire, en fonction de la position du tuyau de vidange et de son emplacement de connexion.

Percer un trou de 1/2 po (12,7 mm) pour le tuyau d'arrivée d'eau sur le côté ou l'arrière de l'armoire, en fonction de la position du tuyau d'arrivée d'eau et de son emplacement de connexion.

Percer un trou de 1 1/2 po (38 mm) pour le câblage électrique sur le côté droit ou à l'arrière de l'armoire.

### 4. Poncer pour obtenir des tours lisses



A. Armoire de bois  
B. Armoire métallique

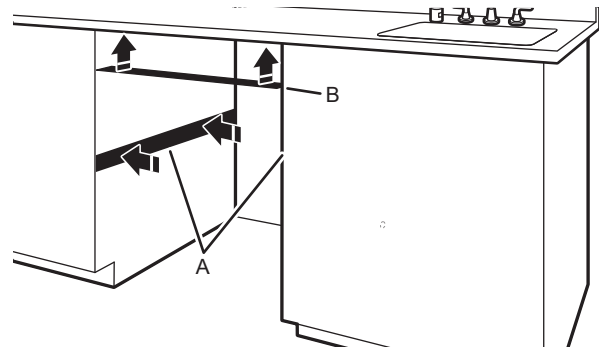
Armoire de bois : Poncer le trou jusqu'à obtenir une surface lisse.

Armoire métallique : Couvrir le contour du trou avec l'œillet fourni avec l'ensemble du cordon d'alimentation. Voir la section « Outils et pièces » pour les détails sur les pièces.

**Conseil utile :** Le raccordement au lave-vaisselle sera plus facile si on achemine le câble par le côté droit de l'ouverture d'encastrement de l'armoire.

## Installer la barrière anti-humidité en option (recommandée pour les comptoirs en bois)

### Barrière anti-humidité/cales en bois

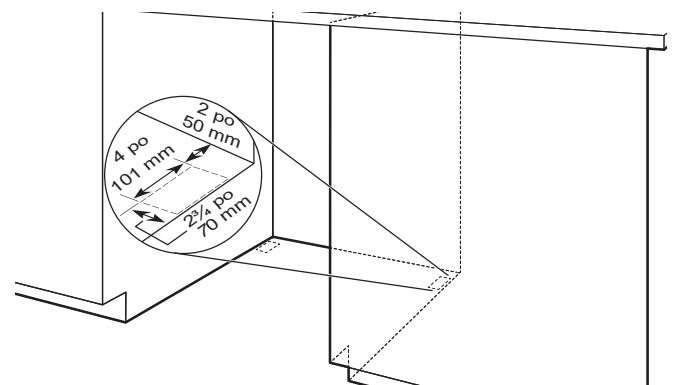


A. Installation des cales en bois  
B. Barrière anti-humidité

Veiller à ce que la zone se trouvant sous l'armoire soit propre et sèche avant d'installer la barrière anti-humidité. Ôter la protection de la barrière anti-humidité et appliquer la barrière sur le dessous du comptoir, le long de la rive avant du comptoir.

**REMARQUE :** Utiliser des cales en bois si la fixation de côté et l'espacement entre les côtés de l'armoire et du lave-vaisselle sont supérieurs à 1/2 po (12,7 mm) de chaque côté ou supérieur à la longueur des vis d'ancrage.

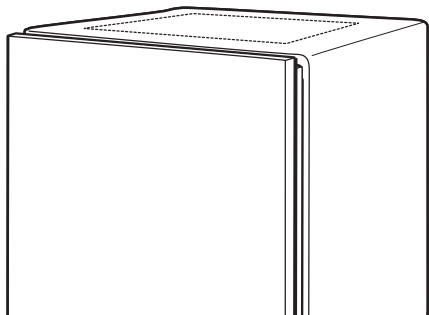
### 5. Surélever le plancher – ajouter des cales au besoin



Surélever le plancher : Si le plancher de la cuisine est plus élevé que le plancher de l'ouverture de l'armoire (par exemple, le carrelage du plancher de la cuisine n'arrive pas jusque dans l'ouverture de l'armoire), ajouter des cales selon le besoin dans la zone indiquée pour placer le lave-vaisselle à une hauteur maximale de 34" (864 mm) sous le plan de travail.

**REMARQUE :** Pour éviter tout déplacement des cales durant le fonctionnement du lave-vaisselle, les cales doivent être solidement fixées au plancher.

6. Si installé dans une ouverture de 33 1/2 po (851 mm)

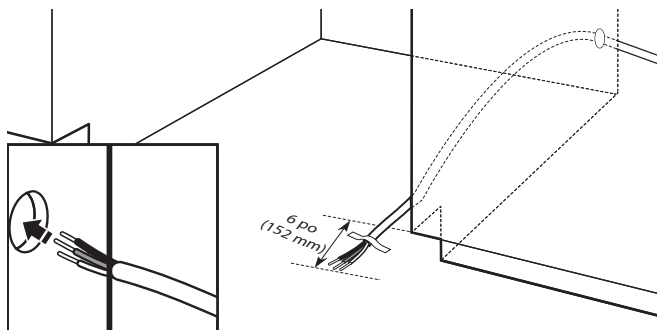


Découper la plaque d'insonorisation le long des perforations pour une ouverture d'armoire d'une hauteur de 33 1/2 po (851 mm). Pour les autres hauteurs d'ouverture d'armoire, ne pas découper.

## Raccordement électrique

- Pour un raccordement direct, commencer à l'étape 7
- Pour un cordon d'alimentation, attendre jusqu'à l'étape 22

### 7. Raccordement direct – position du câble



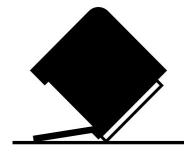
Passer le câble comme indiqué pour un raccordement direct.

Acheminer le câble de l'alimentation électrique à travers le trou dans l'armoire. (le câble doit dépasser par le côté avant droit de l'ouverture d'encastrement de l'armoire.) Fixer le câble au plancher avec du ruban adhésif dans la zone indiquée. Cela empêchera le câble de bouger lors du déplacement du lave-vaisselle dans l'ouverture de l'armoire.

**REMARQUE :** Si un vieux lave-vaisselle avec cordon d'alimentation est enlevé, il faudra transférer ce cordon d'alimentation au nouveau lave-vaisselle.

## Préparation du lave-vaisselle

### ⚠ AVERTISSEMENT



#### Risque de basculement

Ne pas utiliser le lave-vaisselle avant qu'il ne soit complètement installé.

Ne pas appuyer sur la porte ouverte.

Le non-respect de cette instruction peut causer des blessures ou des coupures graves.

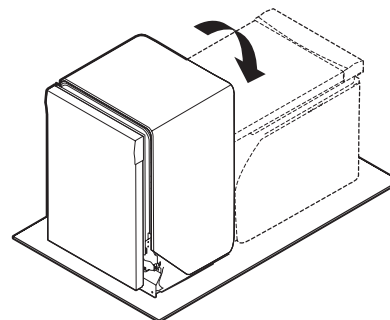
### ⚠ AVERTISSEMENT

#### Risque de poids excessif

Utiliser deux personnes ou plus pour déplacer et installer l'appareil.

Le non-respect de cette instruction peut causer une blessure au dos ou d'autres blessures.

### 8. Placer le lave-vaisselle sur le dos



**Conseil utile :** Placer une feuille de carton sous le lave-vaisselle jusqu'à son installation dans l'ouverture d'encastrement de l'armoire pour éviter d'endommager le revêtement de sol.

À l'aide d'au moins deux personnes, saisir les côtés de l'encadrement de la porte du lave-vaisselle et placer le lave-vaisselle sur le dos.

Afin d'éviter d'érafler le panneau de porte, ne pas se servir du panneau de porte comme planche de travail sans l'avoir recouvert d'une serviette au préalable.

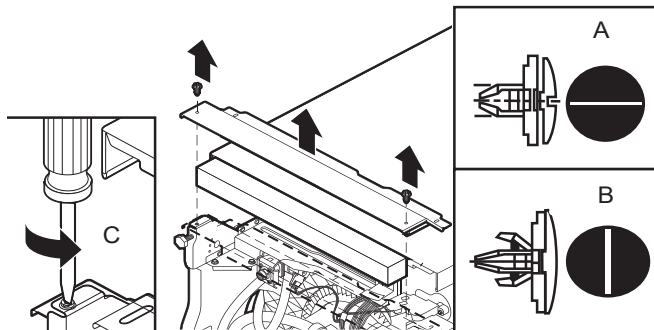
**REMARQUE :** Sur certains modèles, une fois le lave-vaisselle sur le dos, tirer sur la poignée de porte pour l'enlever du panneau d'accès.

## Retrait du panneau d'accès

– Pour les panneaux d'accès en plastique, continuer à l'étape 9

– Pour les panneaux d'accès en métal, continuer à l'étape 10

### 9. Panneau en plastique

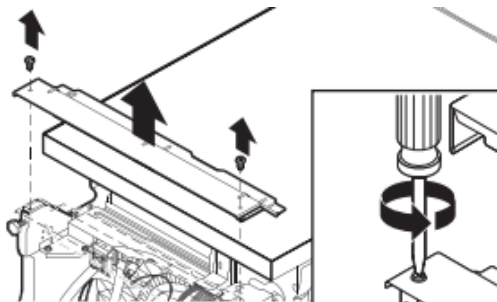


A. Déverrouillé  
B. Verrouillé

C. 1/4 de tour

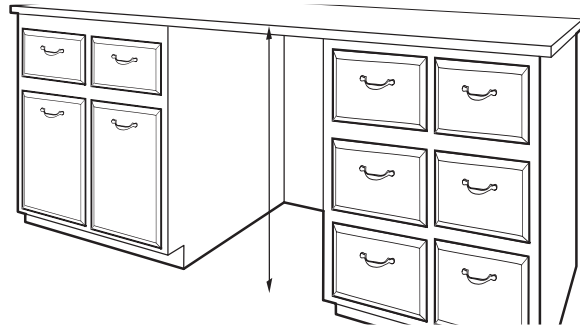
À l'aide d'un tournevis à lame plate, tourner les dispositifs de fixation d'un quart de tour dans le sens antihoraire pour les déverrouiller. Passer à l'étape 12.

### 10. Panneau métallique



À l'aide d'un tourne-écrou de 1/4 po (6,35 mm) ou un tournevis à tête cruciforme, ôter les deux vis fixant le panneau d'accès au lave-vaisselle.

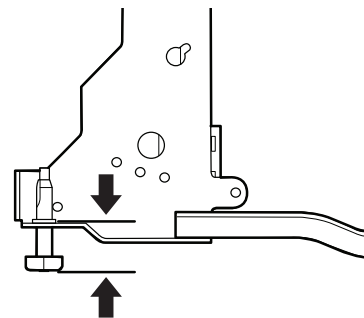
## 11. Mesure de l'ouverture d'encastrement



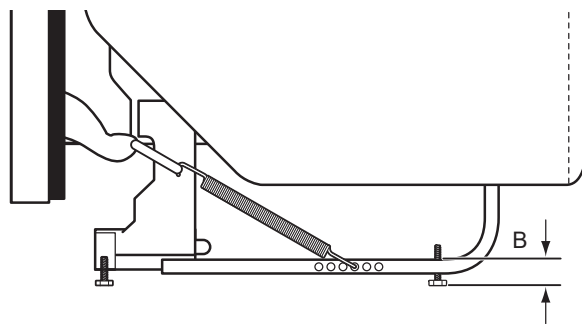
Mesurer la hauteur libre de l'espace d'installation, sous le comptoir. S'assurer de mesurer le point le plus bas sous le comptoir et le point le plus haut sur le sol.

Tableau de réglage de la hauteur du lave-vaisselle		
Hauteur de l'encastrement	Pieds avant – hauteur A	Pieds arrière – hauteur B
33 1/2 po (851 mm)	3/8 po (9,8 mm)	Retirer les pieds et les cales d'espacement.
34 po (864 mm)	7/8 po (22 mm)	1 po (25,4 mm)
34 1/2 po (876 mm)	1 1/8 po (28,8 mm)	1 1/4 po (31,3 mm)

#### Pieds avant – A



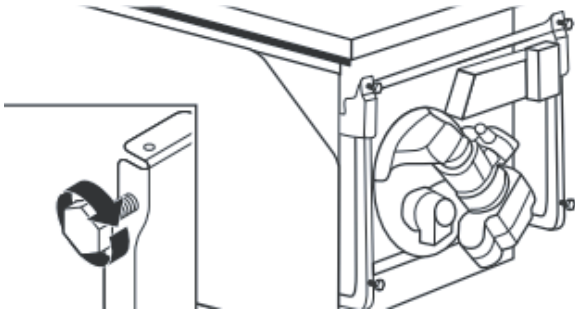
#### Pieds arrière – B



Ajuster les pieds de nivellement avant et arrière à la même hauteur.

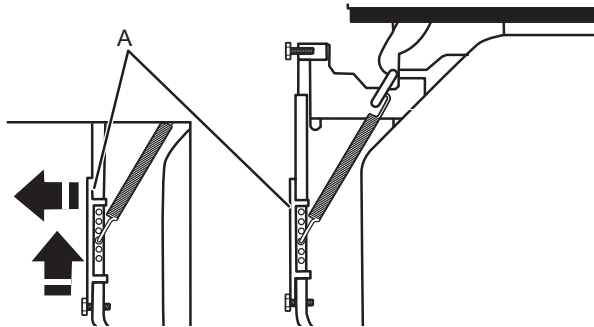
**REMARQUE :** Si la hauteur libre minimale de l'ouverture d'encastrement de l'armoire est inférieure à 33 7/8 po (860 mm), on peut enlever les pieds de nivellement et cales d'espacement arrière pour obtenir un dégagement supplémentaire. On pourra ainsi installer le lave-vaisselle dans une ouverture d'encastrement de l'armoire élevée de 33 1/2 po (851 mm), mais il sera plus difficile de déplacer le lave-vaisselle. (Les mesures ne sont pas exactes. Les pieds de nivellement arrière et avant sont pré-réglés à l'usine pour une hauteur de 34 1/2 po [876 mm].)

## 12. Ajustement des pieds de nivellement



Consulter le « Tableau de réglage de la hauteur du lave-vaisselle » pour la hauteur des pieds avant requise pour l'ouverture de l'armoire.

## 13. Enlever la baguette en plastique de la glissière



A. Baguette en plastique de glissière

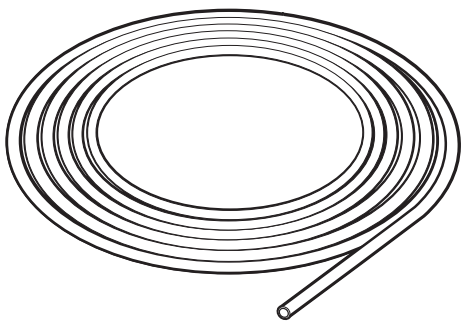
Enlever et jeter la baguette en plastique de glissière de chaque côté du châssis du lave-vaisselle. Pour retirer la baguette en plastique de glissière, la pousser vers le haut puis vers l'arrière et la déboîter du châssis du lave-vaisselle.

## Branchement de l'arrivée d'eau à la valve de distribution

– Pour un tuyau en cuivre, commencer à l'étape 14

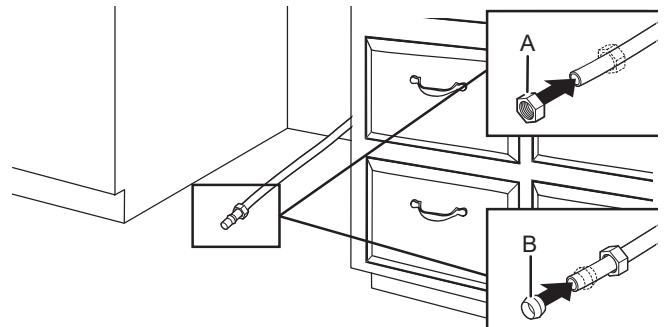
– Pour un tuyau flexible, commencer à l'étape 16

### 14. Canalisation d'eau en cuivre



Si on utilise un tuyau en cuivre, mesurer la longueur de tuyau en cuivre nécessaire pour atteindre l'alimentation en eau, couper à cette longueur et fixer les raccords de compression.

### 15. Enfiler l'écrou et la virole sur le tube (tube de cuivre uniquement)

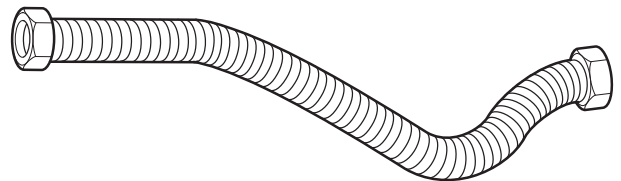


A. Écrou  
B. Virole

**Canalisation en cuivre uniquement :** Insérer la canalisation dans le raccord coudé de 90° aussi loin que possible. (La canalisation en cuivre se plie et s'écrase facilement.) Faire glisser l'écrou et la virole vers l'avant et engager l'écrou sur le filetage du raccord coudé.

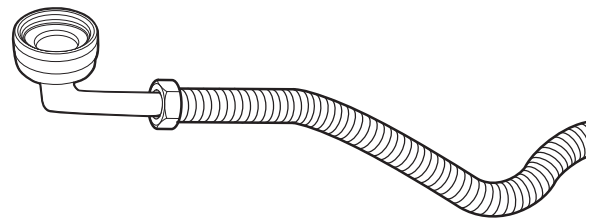
**REMARQUE :** Pour réduire les vibrations durant le fonctionnement, acheminer la canalisation d'alimentation en eau de telle manière qu'elle ne touche pas la base, le châssis ou le moteur de l'appareil. Passer à l'étape 18.

### 16. Tuyau flexible



**Tuyau flexible à tresse d'acier :** Vérifier que le tuyau flexible à tresse d'acier est suffisamment long.

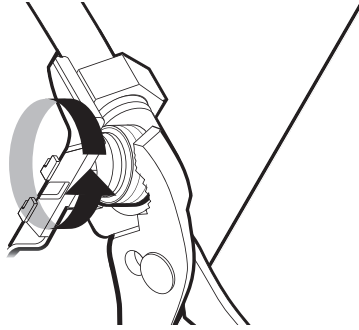
### 17. Raccorder le raccord coudé de 90° à la canalisation d'alimentation en eau



Obtenir le raccord de tuyau coudé à 90° de 3/8 po (9,5 mm) x 3/4 po (19 mm). Voir la section « Outils et pièces » sur la couverture du guide pour des détails sur les pièces et pour commander. Connecter le raccord de tuyau coudé à 90° de 3/8 po (9,5 mm) à l'arrivée d'eau. Le fixer de façon à ce que le raccord de 3/4 po (19 mm) soit orienté vers le haut, tel qu'illustré ci-dessus.

## Branchement du tuyau de distribution à la valve de distribution

### 18. Raccorder le raccord coudé de 90° à la valve



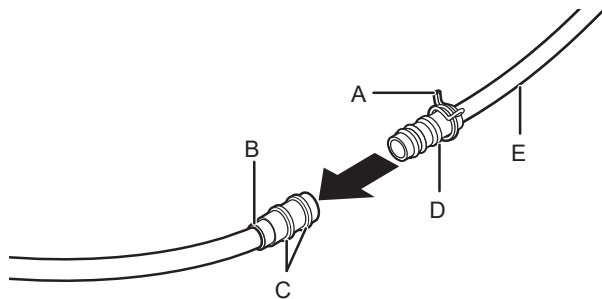
S'assurer que la rondelle de caoutchouc est correctement installée dans le raccord. Enfiler le raccord de 3/4 po (19 mm) du coude à 90° jusqu'au robinet et serrer à la main pour éviter de visser de travers. Serrer à la main jusqu'à ce que le raccord soit serré. À l'aide d'une pince, vérifier l'étanchéité du raccord. Un serrage supplémentaire de 1/4 à 1/2 tour peut être nécessaire pour sceller le joint d'étanchéité en caoutchouc. Passer le tuyau par le côté arrière gauche de l'unité.

#### REMARQUES :

- Ne pas utiliser de ruban de plombier PTFE avec les raccords de compression.
- Ne pas serrer excessivement. Le raccord risque d'être endommagé.

## Raccord du tuyau de vidange

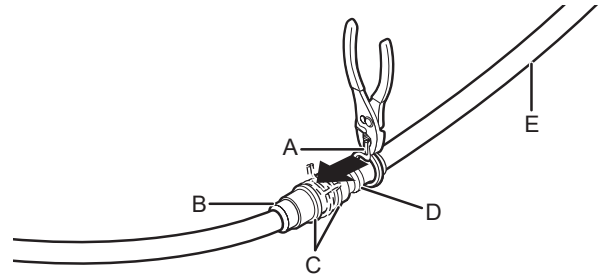
### 19. Raccordement du tuyau de vidange



- |  |   |
|--|---|
| A. Petite bride                              | D. Arrêt du raccord du tuyau de vidange |
| B. Raccord de tuyau de vidange en caoutchouc | E. Tuyau d'évacuation                   |
| C. Arrêt                                     |   |

Placer une serviette sous le tuyau d'évacuation pour récupérer l'eau restée dans le tuyau d'évacuation. Placer la petite bride (verte) pour tuyau d'évacuation sur la petite extrémité du tuyau d'évacuation. Enfoncer le tuyau d'évacuation neuf dans le connecteur de tuyau d'évacuation en caoutchouc jusqu'à la butée d'arrêt du tuyau d'évacuation.

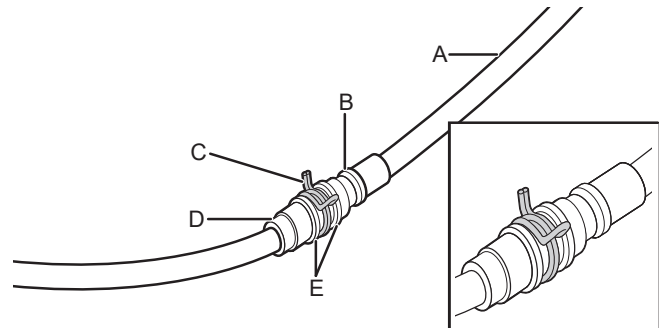
### 20. Glisser la bride dans le connecteur



- |  |   |
|--|---|
| A. Petite bride                              | D. Arrêt du raccord du tuyau de vidange |
| B. Raccord de tuyau de vidange en caoutchouc | E. Tuyau d'évacuation                   |
| C. Arrêt                                     |   |

À l'aide d'une pince, ouvrir la petite bride de tuyau d'évacuation en la serrant et la glisser sur le connecteur, entre les butées.

### 21. Position finale de la bride de tuyau



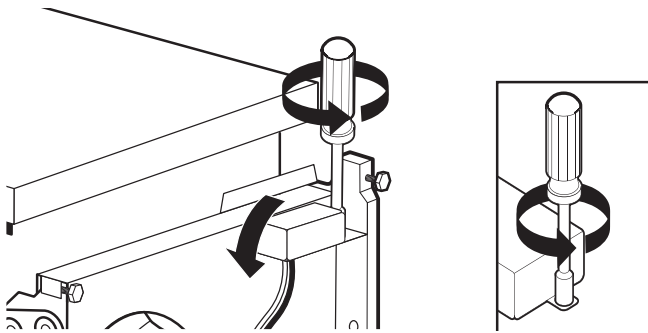
- |   |  |
|---|--|
| A. Tuyau d'évacuation                   | D. Raccord de tuyau de vidange en caoutchouc |
| B. Arrêt du raccord du tuyau de vidange | E. Arrêt                                     |
| C. Petite bride                         |  |

**REMARQUE :** Passer le tuyau de vidange par l'arrière du lave-vaisselle.

## Branchement du câble électrique

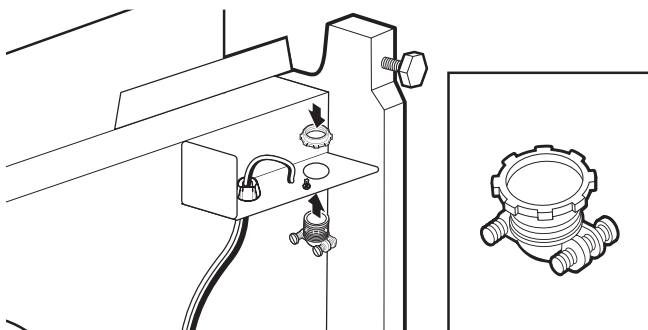
**REMARQUE :** Si un vieux lave-vaisselle avec cordon d'alimentation est enlevé, il faudra transférer ce cordon d'alimentation au nouveau lave-vaisselle.

### 22. Ôter le couvercle de la boîte de connexion



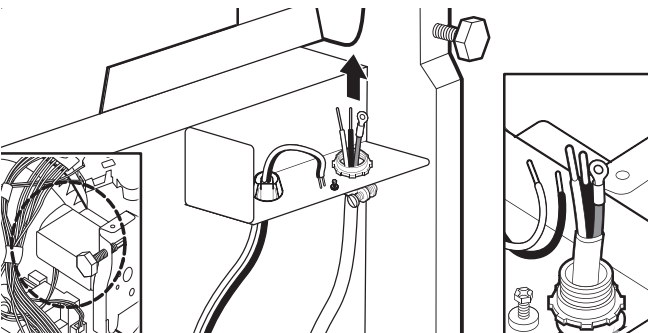
À l'aide d'une clé à douille, d'un tourne-écrou ou d'un tournevis Torx® T20® dont l'embout est de 1/4 po, ôter le couvercle du boîtier de connexion. Le conserver pour utilisation ultérieure.

### 23. Installation du serre-câbles



Installer le serre-câbles métallique inclus dans cette trousse (droit : No de pièce Whirlpool 4317824, 90° : No de pièce Whirlpool W10278923RP). S'assurer que les têtes de vis soient orientées vers la gauche lors du serrage de l'écrou à conduit. Un serre-câbles est fourni dans l'ensemble du cordon d'alimentation.

### 24. Cordon d'alimentation – acheminement du cordon dans la boîte de connexion



Faire passer le cordon d'alimentation de façon à ce qu'il ne touche ni le moteur du lave-vaisselle ni la partie inférieure de la cuve du lave-vaisselle. Tirer le cordon pour le faire passer à travers le serre-câble dans le boîtier de connexion.

**REMARQUE :** Un maximum de deux conducteurs d'alimentation (calibre 12 AWG maximum) plus un conducteur de mise à la terre est autorisé dans le boîtier de connexion.

## ⚠ AVERTISSEMENT



### Risque de décharge électrique

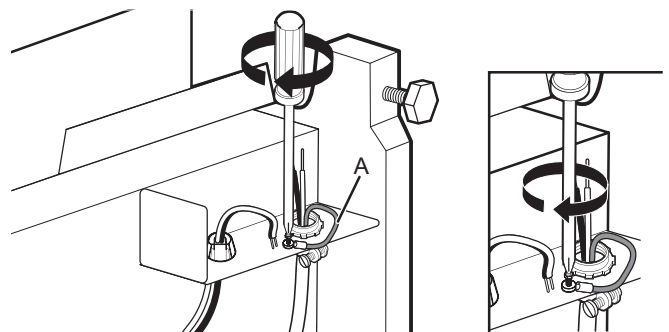
Relier cet appareil à la terre.

Brancher le fil relié à la terre au connecteur vert relié à la terre dans le boîtier de connexion.

Ne pas utiliser de rallonge.

Le non-respect de ces instructions peut causer un décès, un incendie ou une décharge électrique.

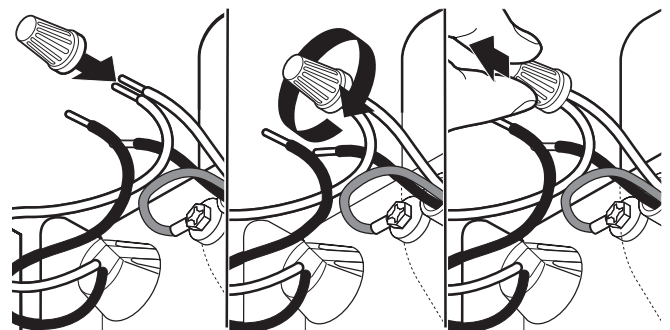
### 25. Cordon d'alimentation – branchement du conducteur de terre



A. Conducteur de terre

Ôter la vis de mise à la terre et la placer à travers la borne en anneau de la vis verte de mise à la terre du cordon d'alimentation. Fixer à nouveau la vis de mise à la terre et la serrer.

### 26. Cordon d'alimentation – branchement des autres conducteurs



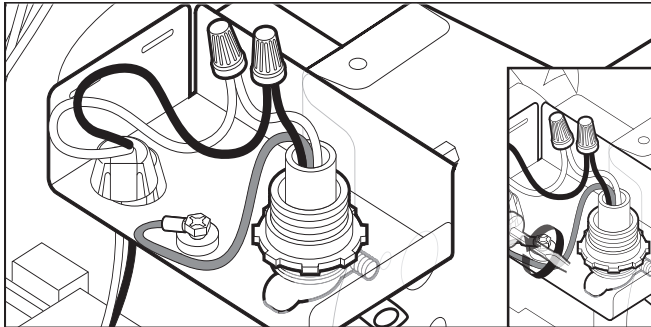
Utiliser les capuchons de connexion de la bonne taille inclus dans cette trousse (droit : No de pièce Whirlpool 4317824, 90° : No de pièce Whirlpool W10278923RP). Connecter le conducteur noir avec le noir et le conducteur blanc avec le blanc à l'aide des capuchons de connexion.

**REMARQUE :** Ne pas prétorsader les brins de conducteurs. Installer le capuchon de connexion en le faisant pivoter. Tirer doucement sur les conducteurs pour vérifier qu'ils sont bien fixés.

## Configuration de câblage

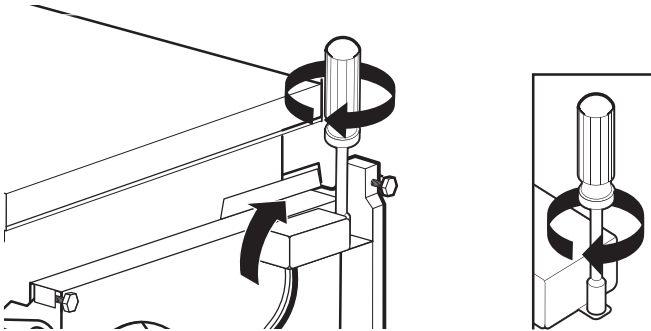
Câblage de l'alimentation électrique :		Câblage du boîtier de connexion :
blanc	↔	blanc
noir	↔	noir
Conducteur de terre	↔	conducteur de liaison à la terre

## 27. Cordon d'alimentation – fixation du cordon dans le serre-câble



Resserrer les vis du serre-câbles pour fixer le cordon.

## 28. Cordon d'alimentation – réinstallation du couvercle de la boîte de connexion et des conducteurs



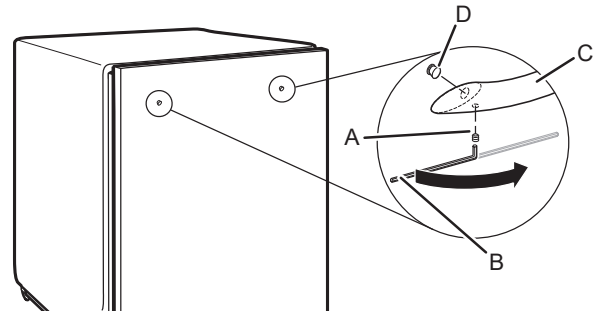
Placer les conducteurs à l'intérieur du boîtier de connexion. Insérer les onglets du côté gauche du couvercle. S'assurer que les câbles sont bien logés à l'intérieur du boîtier et ne sont pas coincés sous le couvercle. Fixer le boîtier de connexion à l'aide d'une clé à douille, d'un tourne-écrou ou d'un tournevis Torx® T20® dont l'embout est de 1/4 po et la vis retirée à l'étape 22.

Si le modèle utilisé est équipé d'un cordon d'alimentation, retirer l'attache de fixation la plus proche de la fiche afin de maximiser la longueur du cordon. Ne pas retirer les autres attaches.

**REMARQUE :** Passer le cordon d'alimentation par l'arrière du lave-vaisselle. Ne pas brancher le cordon dans une prise avant d'en avoir reçu l'instruction.

## Installer la poignée de porte (sur certains modèles)

### 29. Installation la poignée de porte



A. Vis de calage (au fond de la poignée)  
B. Clé à tête hexagonale

C. Poignée  
D. Goujon de montage

**IMPORTANT :** Ne pas érafler le panneau avant au cours de ce processus. Si le panneau de porte est muni d'une pellicule de protection, l'enlever jusqu'au point de fixation de la poignée avant d'installer cette dernière. La poignée est plus facile à installer lorsque l'appareil est sur le dos.

Retirer les poignées de porte et la clé à tête hexagonale de leur emballage. Des vis de blocage sont pré-installées sur la poignée. Placer la poignée sur les poteaux de colombage avec les vis de blocage orientées vers le bas. Pousser la poignée de porte fermement en appui contre la porte. Insérer le côté court de la clé à tête hexagonale dans les vis de blocage. Serrer les vis de 1/4 de tour au-delà de la butée. Conserver la clé hexagonale avec le guide d'utilisation.



## Placer le lave-vaisselle dans l'armoire

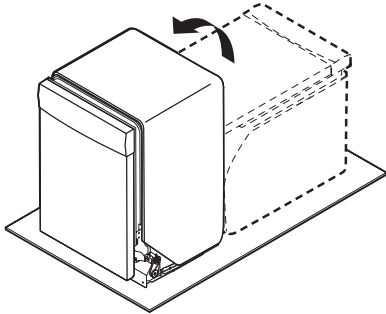
### **⚠ AVERTISSEMENT**

Risque de poids excessif

Utiliser deux personnes ou plus pour déplacer et installer l'appareil.

Le non-respect de cette instruction peut causer une blessure au dos ou d'autres blessures.

### 30. Redresser le lave-vaisselle



À l'aide d'au moins deux personnes, mettre le lave-vaisselle en position verticale.

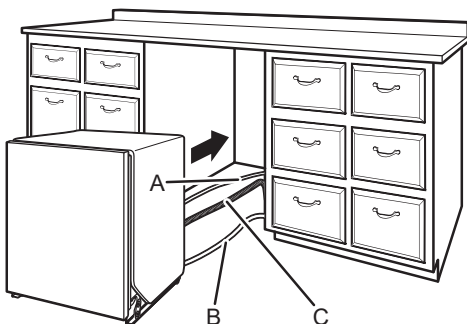
**REMARQUE :** Ne pas installer le garde-pieds avant d'en avoir reçu l'instruction.

**IMPORTANT :** Si on enlève les roulettes, couvrir le plancher lors des déplacements du lave-vaisselle. Insérer lentement et complètement le lave-vaisselle dans l'ouverture d'encastrement de l'armoire. Veiller à ne pas coincer la canalisation de cuivre, le tuyau d'évacuation, le cordon d'alimentation ou le câble de raccordement direct entre le lave-vaisselle et l'armoire. Enlever la feuille de carton placée sous le lave-vaisselle.

Le fait qu'il n'y ait que peu d'espace entre le lave-vaisselle et l'ouverture d'encastrement de l'armoire ne pose pas de problème. Ne pas enlever le garnissage d'insonorisation/isolation – il réduit le niveau sonore.

**REMARQUE :** Passer l'arrivée d'eau, le tuyau de vidange et le cordon d'alimentation par l'arrière du lave-vaisselle.

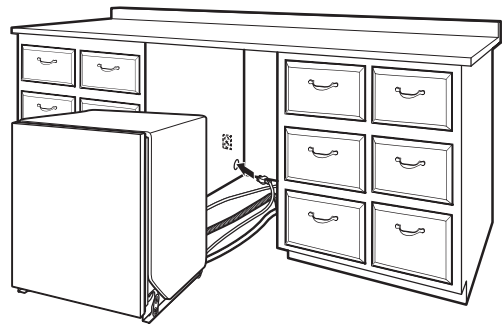
### 31. Déplacer le lave-vaisselle près de l'ouverture d'encastrement



A. Canalisation d'eau C. Tuyau d'évacuation  
B. Câble

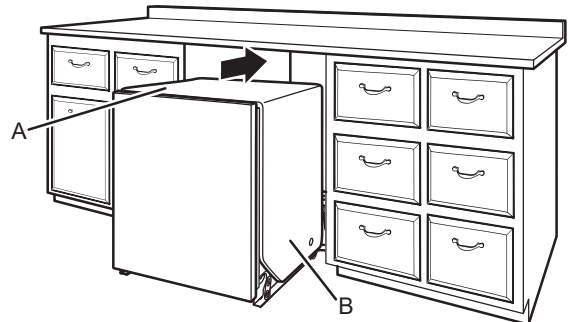
Passer les raccordements par les trous du cabinet et tirer l'excédent en même temps que le lave-vaisselle est positionné dans son espace.

### 32. Faire passer le cordon d'alimentation.



En cas d'utilisation d'un cordon d'alimentation, veiller à acheminer l'extrémité de celui-ci dans le trou de l'ouverture découpée avant de pousser le lave-vaisselle à sa place.

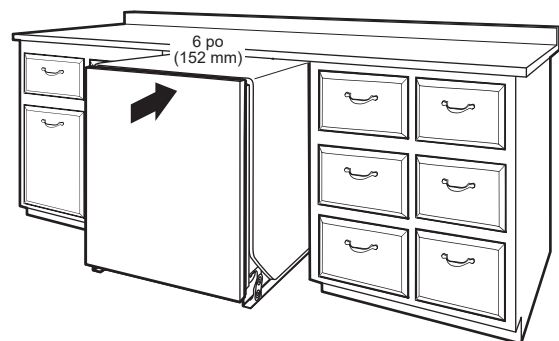
### 33. Fixer la plaque d'insonorisation



A. Plaque d'insonorisation  
B. Fixer la plaque

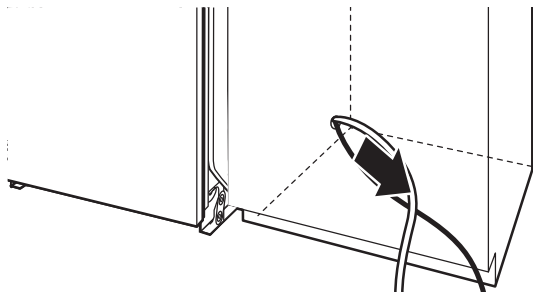
**REMARQUE :** S'assurer que l'insonorisation est bien fixée aux coins arrière gauche et droit avant de pousser le lave-vaisselle en place pour qu'elle ne s'entasse pas lorsque l'espace est restreint.

### 34. Insérer le lave-vaisselle en laissant 6 po (152 mm) dépasser de l'avant des armoires



**REMARQUE :** Laisser sortir environ 6 po (152 mm) de l'armoire pour permettre l'installation des supports d'ancrage et régler la tension de la porte au besoin.

### 35. Tirer l'excédent des raccordements



**REMARQUE :** Tirer l'excédent en même temps que le lave-vaisselle est poussé en place dans son ouverture pour éviter la formation de coudes.

## Choix de l'option de fixation

**IMPORTANT :** Le lave-vaisselle doit être fixé à l'armoire lors de l'une des étapes finales. Préparer le lave-vaisselle pour cette opération en y fixant les deux attaches placées dans le sachet de pièces.

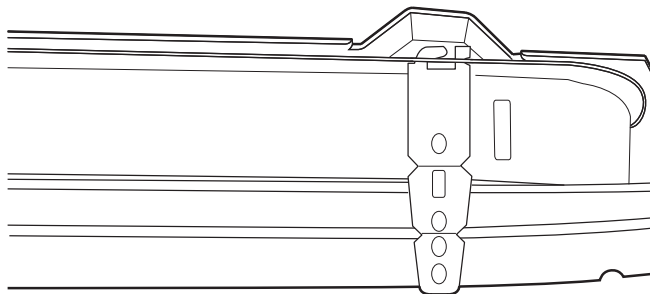
**Pour une surface de travail en bois, stratifiée ou une autre surface semblable, utiliser les fixations pour plan de travail : passer à l'étape 36**

**Pour une surface de travail en marbre, granite ou une autre surface semblable, utiliser les fixations pour les côtés : passer à l'étape 37**

**REMARQUE :** Si l'espace entre le haut de la porte et le dessous du plan de travail est petit (moins de 1/4 po [6,35 mm]), il est suggéré d'utiliser les fixations de côtés pour éviter de rayer l'interface utilisateur ou la console avec les vis de fixation.

### Fixation à la surface de travail :

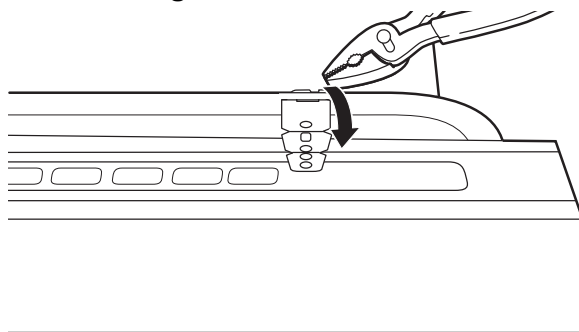
#### 36. Insérer les brides



**REMARQUE :** Les languettes doivent être orientées vers la droite.

Retirer les brides de l'emballage et les insérer dans les fentes ouvertes sur les côtés supérieurs droit et gauche du collet du lave-vaisselle, comme indiqué. Passer à l'étape 41.

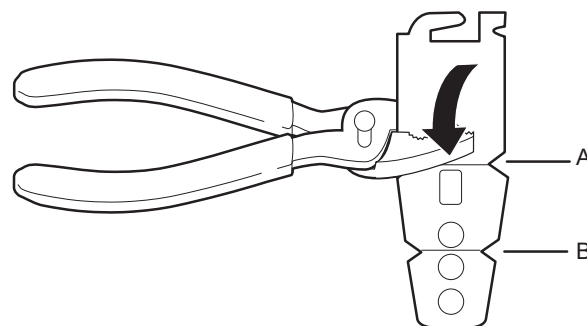
### Plier les languettes



À l'aide des pinces, plier/tordre la languette pour verrouiller les brides en place.

### Fixation sur les côtés :

#### 37. Briser le bout des languettes

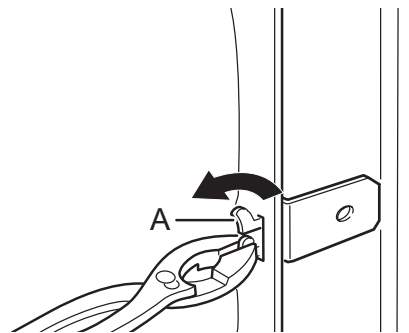


A. Entailler une ligne pour les modèles de cuve en acier inoxydable

B. Entailler une ligne pour les modèles de cuve en plastique

Briser l'extrémité de la bride le long des pointillés à l'aide de pinces.

#### 38. Installation des brides



A. Plier les languettes

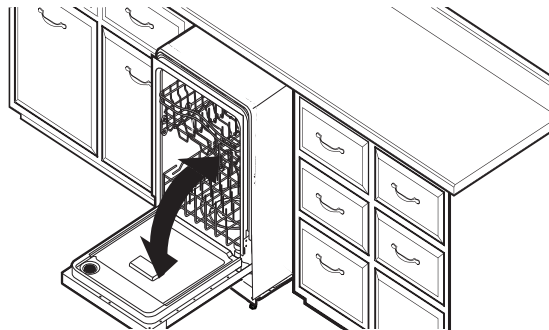
Enfoncer la bride dans la fente sur le côté du lave-vaisselle et replier la languette vers le côté du lave-vaisselle pour maintenir la bride en place. Répéter cette étape pour l'autre côté du lave-vaisselle.

**REMARQUE :** Utiliser des cales en bois si l'espace entre les côtés de l'armoire et du lave-vaisselle est supérieur à 1/2 po (13 mm) de chaque côté.

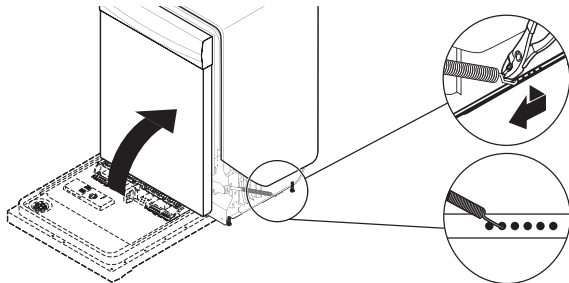
**REMARQUE :** Ne pas fixer le lave-vaisselle. Cette étape sera effectuée plus tard.

## Vérification finale de l'installation

### 39. Ouvrir et fermer la porte



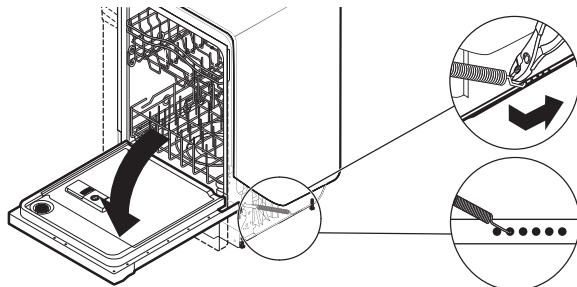
### 40. Porte se ferme trop rapidement – diminuer la tension des ressorts



Si la porte se referme trop vite, diminuer la tension des ressorts en déplaçant l'extrémité des ressorts vers l'avant du lave-vaisselle.

**REMARQUE :** Les ressorts devraient être placés dans les mêmes encoches à gauche et à droite.

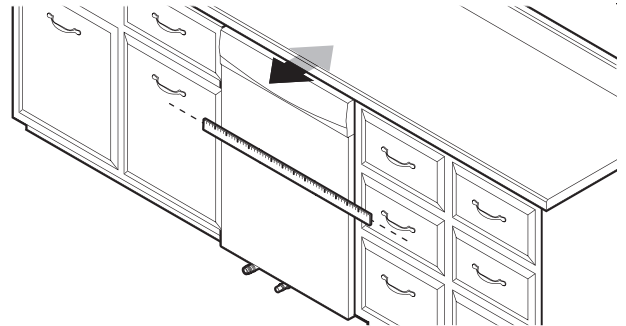
### 41. Porte se ferme trop rapidement – diminuer la tension des ressorts



Si la porte s'ouvre d'elle-même, augmenter la tension des ressorts en déplaçant l'extrémité du ressort vers l'arrière du lave-vaisselle.

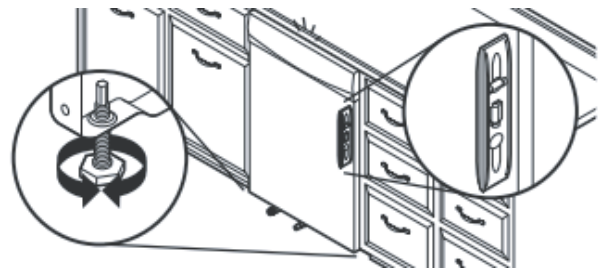
**REMARQUE :** Les ressorts devraient être placés dans les mêmes encoches à gauche et à droite.

### 42. Aligner l'avant du lave-vaisselle avec les portes des armoires



Aligner l'avant du panneau de porte du lave-vaisselle avec les portes des armoires. Il faudra peut-être ajuster l'alignement de celui-ci pour qu'il soit en affleurement avec les armoires.

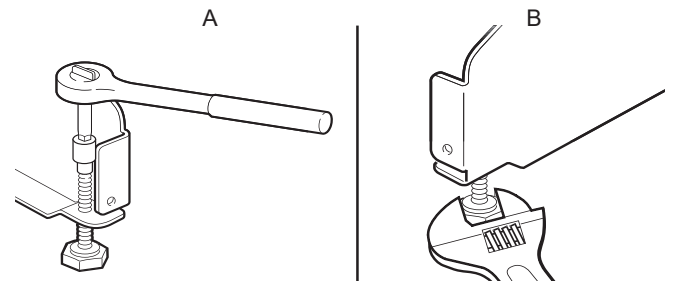
### 43. Vérifier l'aplomb et régler les pieds au besoin



Vérifier que chaque pied de réglage de l'aplomb est fermement en appui sur le sol. Fermer et verrouiller la porte; placer un niveau contre le panneau avant. Vérifier que le lave-vaisselle est centré de l'avant vers l'arrière dans l'ouverture. Si nécessaire, régler le pied de nivellement jusqu'à ce que le lave-vaisselle soit d'aplomb. Répéter ces opérations pour l'autre côté du lave-vaisselle.

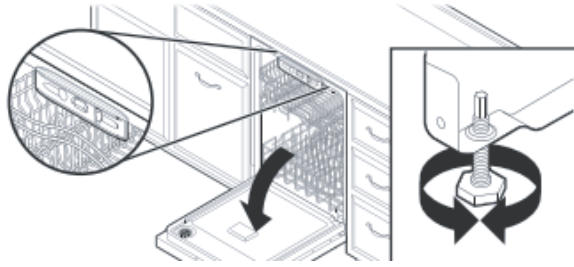
**Conseil utile :** Pousser contre l'avant du lave-vaisselle pour le soulever et pouvoir ajuster les pieds avant. Pour certaines installations, il peut être plus facile de régler le pied avant à l'aide d'une clé à douille hexagonale ou une clé à mollette de 3/16 po. Si l'espace entre le haut de la porte et le dessous de l'armoire est petit (moins de 1/4 po [6 mm]), il est suggéré d'utiliser les fixations de côtés pour éviter de rayer le tableau de commande ou la console.

### Pieds de nivellement



A. Méthode souhaitée  
B. Méthode optionnelle

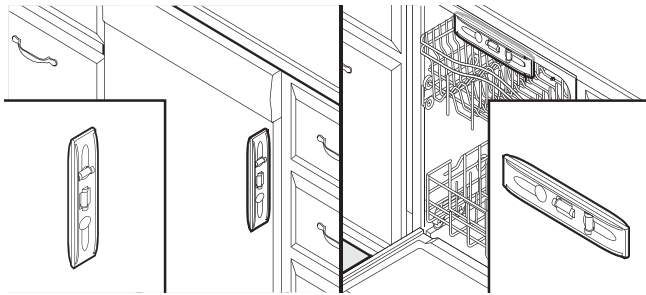
#### 44. Vérifier le niveau de gauche à droite et régler les pieds au besoin



Placer le niveau contre la partie supérieure de l'ouverture avant de la cuve. Vérifier l'aplomb transversal de l'appareil. Si le lave-vaisselle n'est pas d'aplomb, régler la hauteur des pieds avant vers le haut ou vers le bas jusqu'à ce que le lave-vaisselle soit d'aplomb.

### Fixation du lave-vaisselle dans l'ouverture d'encastrement de l'armoire

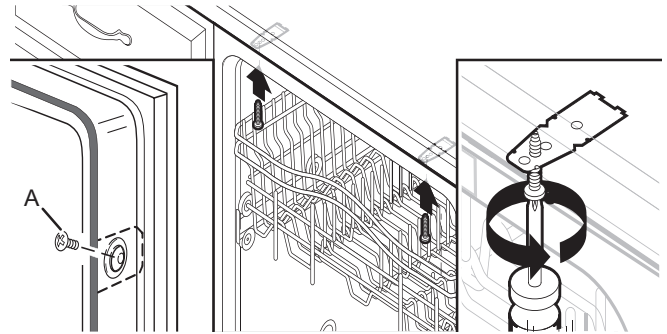
#### 45. Vérifier de nouveau l'alignement du lave-vaisselle avec l'ouverture



Vérifier que le lave-vaisselle est toujours d'aplomb d'avant en arrière et transversalement dans l'ouverture d'encastrement de l'armoire.

Ouvrir la porte du lave-vaisselle, placer une serviette sur la pompe et le bras d'aspersion du lave-vaisselle. Pour certains modèles, il faut retirer le panier inférieur. Ceci empêchera les vis de tomber dans la pompe lors de la fixation du lave-vaisselle au comptoir ou à l'armoire.

#### 46. Fixer le lave-vaisselle



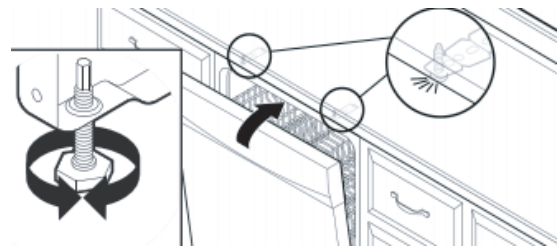
A. Vis pour les armoires latérales

Ouvrir la porte du lave-vaisselle pour préparer la fixation de l'appareil au comptoir ou au côté de l'armoire.

#### REMARQUES :

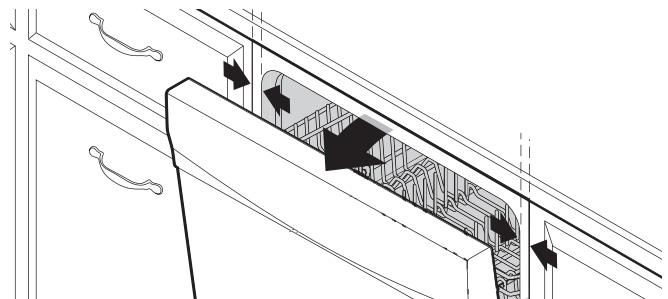
- Le lave-vaisselle doit être immobilisé pour l'empêcher de basculer lors de l'ouverture ou de la fermeture de la porte.
- Ne pas faire tomber de vis au fond du lave-vaisselle.
- Localiser les supports installés à la section « Choix de l'option de fixation », soit sur le dessus ou les côtés du lave-vaisselle.
- **Pour fixation au comptoir :** Fixer le lave-vaisselle au comptoir au moyen de deux vis à tête cruciforme de n° 10 x 1/2 po (incluses).
- **Pour fixation aux côtés de l'armoire :** Percer des avant-trous dans l'armoire pour éviter toute fente dans le bois. Fixer le lave-vaisselle aux côtés de l'armoire au moyen de vis à tête cruciforme de n° 10 x 1/2 po (incluses). Retirer le panier du haut pour faciliter l'accès.

#### 47. Contrôler l'ouverture de la porte



**IMPORTANT :** Vérifier qu'il n'y a aucun contact entre le sommet de la porte et les vis, les brides ou le plan de travail. Si un tel contact se produit, régler le niveau des pattes ou utiliser l'option de fixation sur les côtés.

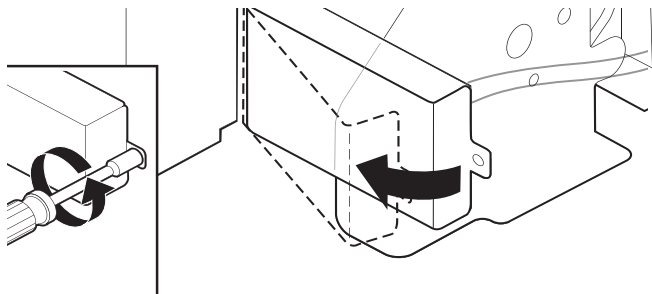
#### 48. Vérifier l'espace intérieur



Ouvrir la porte et vérifier que la distance entre l'ouverture de l'armoire pour l'installation du lave-vaisselle et la cuve est la même des deux côtés. Si l'espace n'est pas identique des deux côtés, desserrer les vis des brides d'arrimage et déplacer légèrement la cuve. Resserrer les vis de brides.

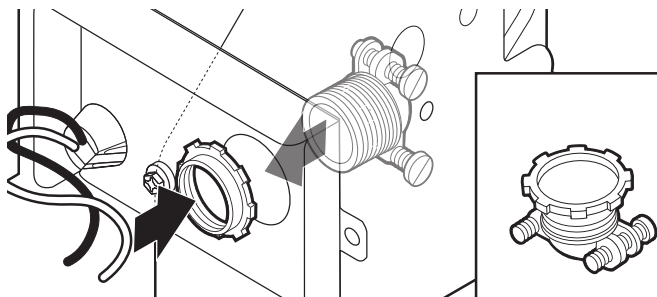
## Méthode de raccordement direct

### 49. Ôter le couvercle de la boîte de connexion



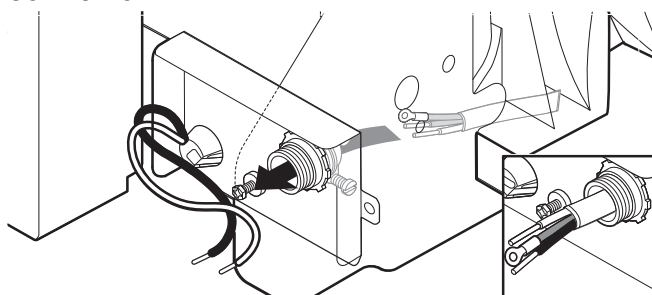
À l'aide d'une clé à douille, d'un tourne-écrou ou d'un tournevis Torx® T20® dont l'embout est de 1/4 po, ôter le couvercle du boîtier de connexion. Le conserver pour utilisation ultérieure.

### 50. Installation du serre-câbles



Utiliser un serre-câbles homologué UL ou CSA.

### 51. Acheminer le conducteur vers le boîtier de connexion



Faire passer le cordon d'alimentation de façon à ce qu'il ne touche ni le moteur du lave-vaisselle ni la partie inférieure de la cuve du lave-vaisselle. Tirer le câble pour le faire passer à travers le serre-câble (homologation UL/CSA) dans le boîtier de connexion. Le serre-câble n'est pas fourni avec le lave-vaisselle. Le propriétaire doit acheter un serre-câble de 7/8 po (22 mm) de type à visser.

Sélectionner des connecteurs de fils (homologation UL/CSA) (non fournis) conçus pour le raccordement du câblage du domicile au câblage de calibre 16 du lave-vaisselle.

## ⚠ AVERTISSEMENT



### Risque de décharge électrique

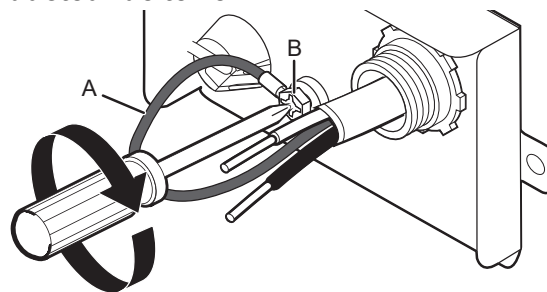
Relier cet appareil à la terre.

Brancher le fil relié à la terre au connecteur vert relié à la terre dans le boîtier de connexion.

Ne pas utiliser de rallonge.

Le non-respect de ces instructions peut causer un décès, un incendie ou une décharge électrique.

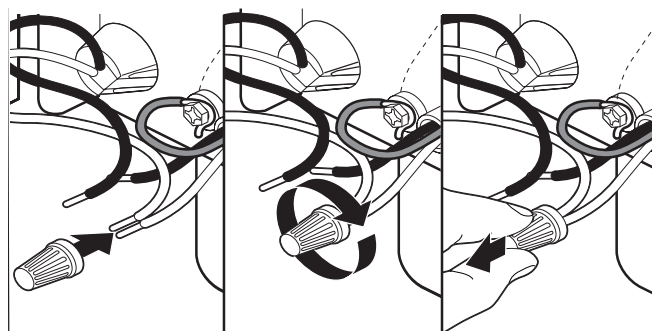
### 52. Raccordement direct – branchement du conducteur de terre



A. Conducteur de terre  
B. Vis de mise à la terre

Former un crochet en U avec le conducteur nu de mise à la terre. Enrouler le crochet du conducteur de mise à la terre autour de la vis de mise à la terre et sous le lave-vaisselle (dans le sens horaire). Serrer fermement la vis du connecteur de mise à la terre.

### 53. Raccordement direct – branchement des autres conducteurs



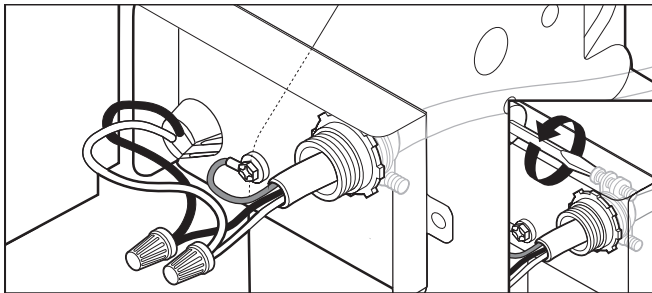
Sélectionner des capuchons de connexion (homologation UL et CSA) de taille correcte. Connecter le conducteur noir avec le noir et le conducteur blanc avec le blanc à l'aide des capuchons de connexion.

**REMARQUE :** Ne pas prétorsader les brins de conducteurs. Installer le capuchon de connexion en le faisant pivoter. Tirer doucement sur les conducteurs pour vérifier qu'ils sont bien fixés.

## Configuration de câblage

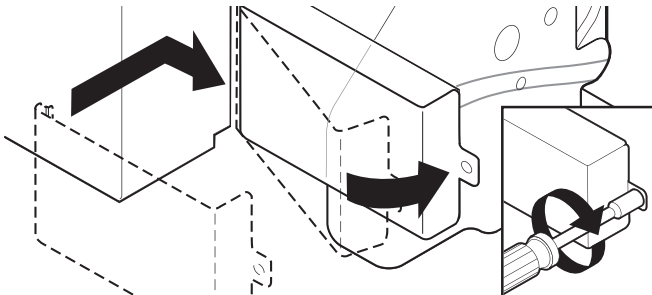
Câblage de l'alimentation électrique :		Câblage du boîtier de connexion :
blanc	↔	blanc
noir	↔	noir
Conducteur de terre	↔	conducteur de liaison à la terre

### 54. Raccordement direct – fixation du conducteur dans le serre-câble



Resserrer les vis de serre-câble pour fixer le cordon.

### 55. Raccordement direct – réinstallation du couvercle de la boîte de connexion et des fils

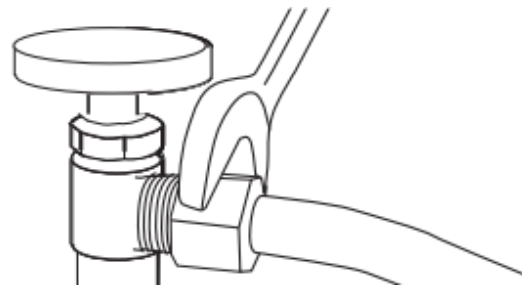


Placer les conducteurs à l'intérieur du boîtier de connexion. Insérer les onglets du côté gauche du couvercle. S'assurer que les fils sont bien logés à l'intérieur du boîtier. Fermer le couvercle tout en veillant à ne pas coincer de fils. Fixer le couvercle à l'aide d'un tourne-écrou ou d'un tournevis Torx® T20® dont l'embout est de 1/4 po et de la vis précédemment retirée.

## Branchement de l'arrivée d'eau au robinet d'arrêt de la maison

**REMARQUE :** Si l'on utilise un tuyau flexible tressé, remplacer le tuyau d'alimentation après 5 ans d'utilisation pour réduire le risque de défaillance du tuyau. Inscrive la date d'installation ou de remplacement du tuyau sur celui-ci, pour référence ultérieure.

### 56. Fixer la canalisation d'alimentation en eau



Fixer la canalisation d'alimentation en eau (tube de cuivre ou canalisation flexible à tresse d'acier) à la canalisation d'eau chaude à l'aide d'une configuration de raccordement qui soit conforme à tous les codes et règlements locaux. La canalisation d'alimentation en eau raccordée au lave-vaisselle doit comporter un robinet d'arrêt manuel situé sous l'évier.

## Raccordement du tuyau de vidange

### 57. Raccordement du tuyau de vidange

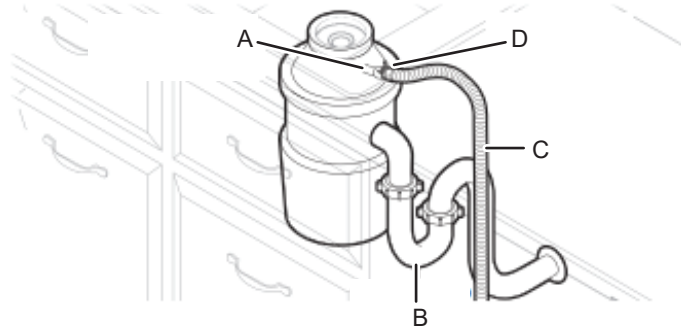
Employer l'une des options suivantes pour raccorder le tuyau d'évacuation sur un raccord T ou sur un broyeur à déchets :

- Option A : Broyeur de déchets – sans brise-siphon
- Option B : Sans broyeur de déchets – sans brise-siphon
- Option C : Broyeur de déchets – avec brise-siphon
- Option D : Sans broyeur de déchets – avec brise-siphon

**IMPORTANT :** Le raccordement du tuyau d'évacuation à la canalisation d'égout en T ou au raccord de broyeur à déchets doit être réalisé en amont du siphon du circuit d'évacuation et à au moins 20 po (508 mm) au-dessus du plancher de l'espace d'installation du lave-vaisselle.

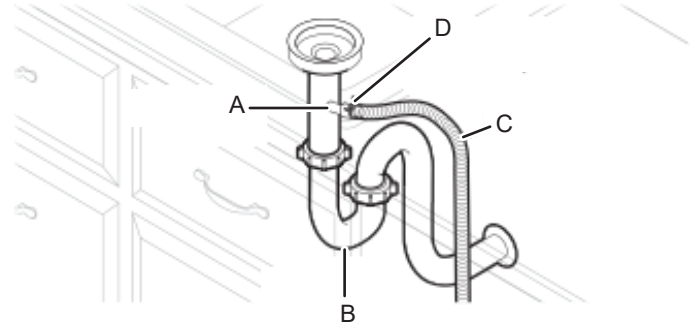
**Conseil utile :** Afin de minimiser les vibrations du tuyau, le tenir à distance du plancher.

## Option A : Broyeur de déchets – sans brise-siphon



- A. Entrée du broyeur à déchets  
 B. Siphon du circuit d'évacuation  
 C. Tuyau d'évacuation  
 D. Bride pour gros tuyau de vidange

## Option B : Sans broyeur de déchets – sans brise-siphon

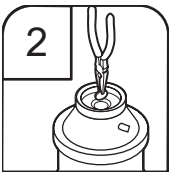


- A. Tuyau d'évacuation en T  
 B. Siphon du circuit d'évacuation  
 C. Tuyau d'évacuation  
 D. Bride pour gros tuyau de vidange

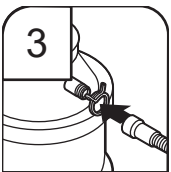
**Conseil utile :** Ôter l'opercule escamotable du broyeur à déchets.



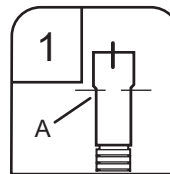
1. À l'aide d'un marteau et d'un tournevis, enfoncer le bouchon d'obturation dans le broyeur à déchets.



2. Retirer le bouchon d'obturation à l'aide de pinces à pointe biseautée.



3. Fixer le tuyau d'évacuation sur le raccord de broyeur à déchets à l'aide de la grosse bride de tuyau d'évacuation (fournie). À l'aide de pinces, serrer la bride pour l'ouvrir et la mettre en position.



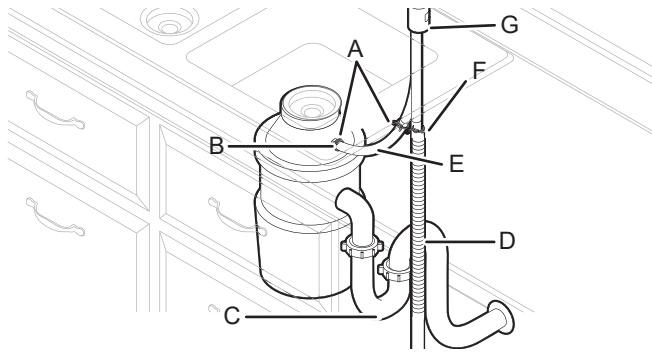
1. Raccorder l'extrémité en caoutchouc (A) du tuyau d'évacuation à la canalisation d'égout en T et couper si nécessaire.

**REMARQUE :** Ne pas couper la section ondulée.



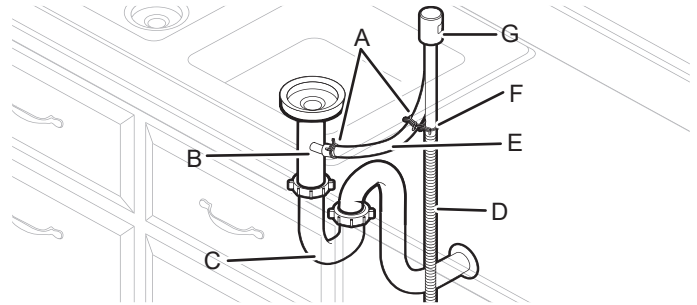
2. Fixer l'extrémité du tuyau d'évacuation en caoutchouc à la canalisation d'égout en T à l'aide d'une grosse bride pour tuyau d'évacuation (fournie). À l'aide de pinces, serrer la bride pour l'ouvrir et la mettre en position. Si le tuyau d'évacuation a été coupé, utiliser une bride à vis de 1 1/2 po à 2 po (38 mm à 50 mm) (non fournie).

## Option C : Broyeur de déchets – avec brise-siphon



- A. Bride à vis
- B. Entrée du broyeur à déchets
- C. Siphon du circuit d'évacuation
- D. Tuyau d'évacuation
- E. Raccord de tuyau en caoutchouc
- F. Bride pour gros tuyau de vidange
- G. Brise-siphon

## Option D : Sans broyeur de déchets – avec brise-siphon

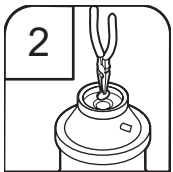


- A. Bride à vis
- B. Tuyau d'évacuation en T
- C. Siphon du circuit d'évacuation
- D. Tuyau d'évacuation
- E. Raccord de tuyau en caoutchouc
- F. Bride pour gros tuyau de vidange
- G. Brise-siphon

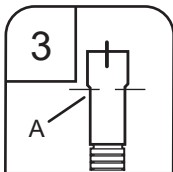
**Conseil utile :** Ôter l'opercule escamotable du broyeur à déchets.



1. À l'aide d'un marteau et d'un tournevis, enfoncer le bouchon d'obturation dans le broyeur à déchets.

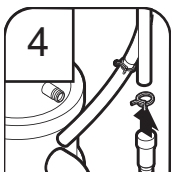


2. Retirer le bouchon d'obturation à l'aide de pinces à pointe biseautée.

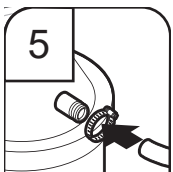


3. Raccorder l'extrémité en caoutchouc (A) du tuyau d'évacuation au dispositif de brise-siphon et couper si nécessaire.

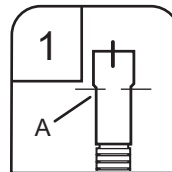
**REMARQUE :** Ne pas couper la section ondulée.



4. Fixer le tuyau d'évacuation sur le dispositif de brise-siphon à l'aide de la grosse bride de tuyau d'évacuation (fournie). À l'aide de pinces, serrer la bride pour l'ouvrir et la mettre en position. Si le tuyau d'évacuation a été coupé, utiliser une bride à vis de 1 1/2 po à 2 po (38 mm à 50 mm) (non fournie).

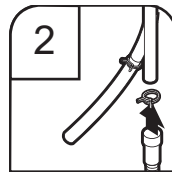


5. Utiliser un tuyau en caoutchouc (non fourni) et une bride à vis (non fournie) pour le raccordement du dispositif de brise-siphon à l'entrée du broyeur à déchets.

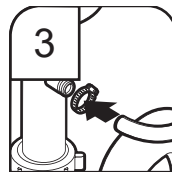


1. Raccorder l'extrémité en caoutchouc (A) du tuyau d'évacuation au dispositif de brise-siphon et couper si nécessaire.

**REMARQUE :** Ne pas couper la section ondulée.



2. Fixer le tuyau d'évacuation sur le dispositif de brise-siphon à l'aide de la grosse bride de tuyau d'évacuation (fournie). À l'aide de pinces, serrer la bride pour l'ouvrir et la mettre en position. Si le tuyau d'évacuation a été coupé, utiliser une bride à vis de 1 1/2 po à 2 po (38 mm à 50 mm) (non fournie).



3. Utiliser un tuyau en caoutchouc (non fourni) et une bride à vis (non fournie) pour le raccordement de la canalisation d'égout en T au dispositif de brise-siphon.



## Fin de l'installation

Vérifier l'absence de tout contact entre le conducteur ou le cordon d'alimentation et le moteur du lave-vaisselle ou la partie inférieure de la cuve du lave-vaisselle.

### **⚠ AVERTISSEMENT**



#### Risque de décharge électrique

Brancher l'appareil sur une prise à 3 alvéoles reliée à la terre.

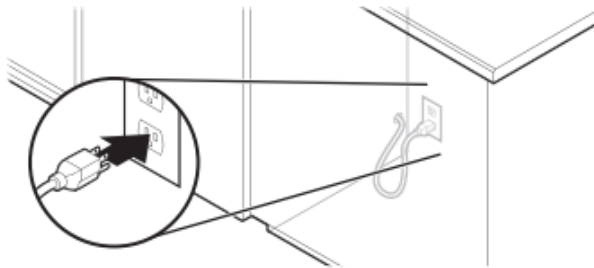
Ne pas enlever la prise de liaison à la terre.

Ne pas utiliser d'adaptateur.

Ne pas utiliser de rallonge.

Le non-respect de ces instructions peut causer un décès, un incendie ou une décharge électrique.

### 58. Cordon d'alimentation électrique – brancher dans une prise à trois alvéoles reliée à la terre



Brancher l'appareil sur une prise à 3 alvéoles reliée à la terre.

### 59. Rétablir l'alimentation électrique.

Reconnecter l'alimentation électrique du tableau de distribution (fusible ou disjoncteur).

**REMARQUE :** Avec le panneau d'accès fermé, mettre le lave-vaisselle en marche et le laisser effectuer complètement le programme de lavage le plus court. Après les deux premières minutes, déverrouiller la porte; attendre cinq secondes, puis ouvrir la porte. Vérifier qu'il y a bien de l'eau au fond de la cuve du lave-vaisselle. Vérifier que le lave-vaisselle fonctionne correctement.

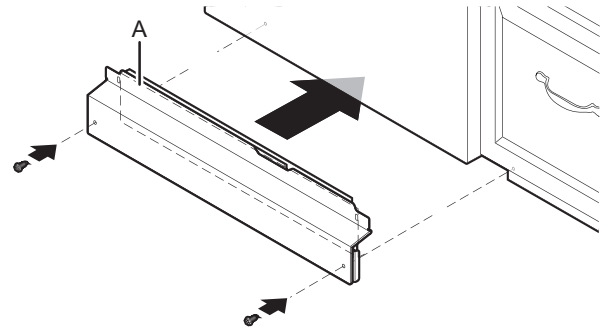
## Installation du panneau d'accès

– Pour le plastique, commencez par l'étape 60

– Pour le métal, commencez par l'étape 63

Panneau en plastique :

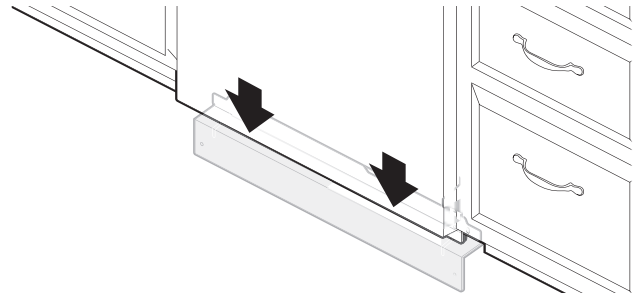
### 60. Réinstaller le panneau d'accès et les dispositifs de fixation



A. Isolation (sur certains modèles)

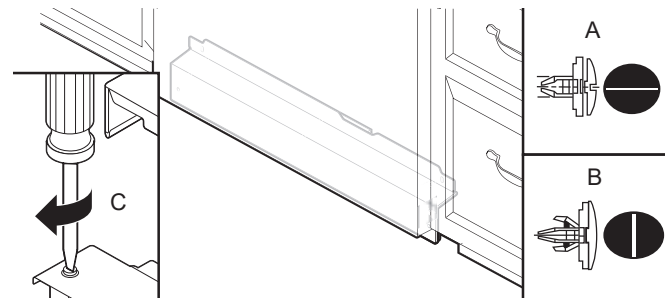
Placer le panneau d'accès en plastique contre le pied du lave-vaisselle. Vous assurer que l'isolant ne dérange pas le flotteur.

### 61. Inspecter le bord du panneau d'accès



Vérifier que la rive inférieure du panneau d'accès est au contact du plancher. La réajuster au besoin.

### 62. Serrer les dispositifs de fixation



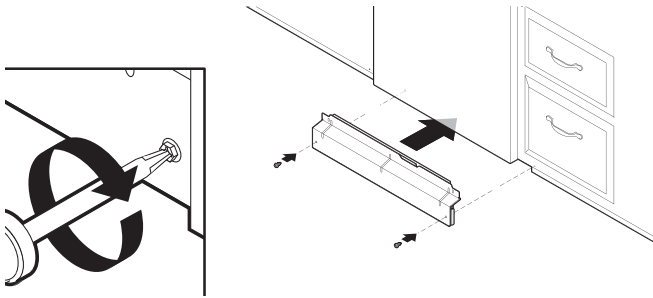
A. Déverrouillé  
B. Verrouillé

C. 1/4 de tour

À l'aide d'un tournevis à lame plate, tourner les dispositifs de fixation d'un quart de tour dans le sens horaire pour les emboîter. L'encoche des dispositifs de fixation est complètement à la verticale lorsqu'ils sont correctement emboîtés. Passer à l'étape 65.

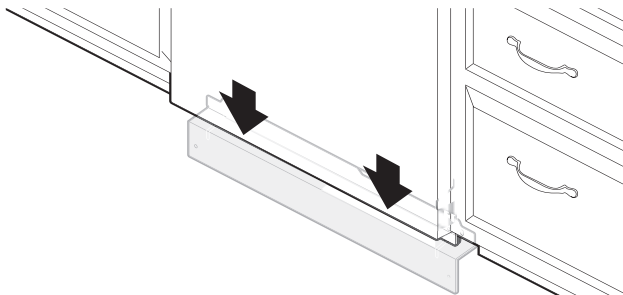
## Panneau métallique :

### 63. Réinstaller les panneaux d'accès



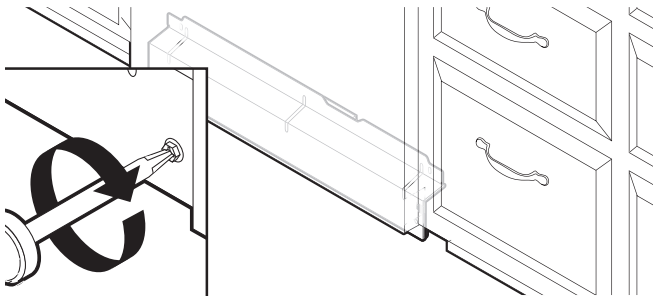
Placer le panneau contre les pieds du lave-vaisselle. À l'aide d'un tournevis à tête cruciforme ou d'un tourne-écrou de 1/4 po, réinstaller les vis à travers les trous du panneau d'accès.

### 64. Inspecter le bord inférieur du panneau d'accès



Vérifier que la rive inférieure du panneau d'accès est au contact du plancher. La réajuster au besoin.

### 65. Serrer les vis



Serrer les vis du panneau d'accès.

## Contrôle du fonctionnement

- Lire le guide de démarrage rapide du lave-vaisselle compris avec le lave-vaisselle.
- Vérifier que toutes les pièces ont été installées et qu'aucune étape n'a été omise. Vérifier la présence de tous les outils.

Si le lave-vaisselle ne fonctionne pas correctement, déconnecter la source de courant électrique ou débrancher le lave-vaisselle et consulter la section « Si le lave-vaisselle ne fonctionne pas ».

## Si le lave-vaisselle ne fonctionne pas

Essayer d'abord les solutions suggérées ici pour éviter le coût d'une intervention de dépannage.

- Un disjoncteur est-il ouvert ou un fusible grillé?
- La porte est-elle bien fermée et enclenchée?
- Le programme a-t-il été correctement sélectionné pour que le lave-vaisselle puisse se mettre en marche?
- L'arrivée d'eau est-elle ouverte?

Si aucune de ces solutions ne fonctionne, consulter les coordonnées indiquées dans le guide de démarrage rapide.

## Conseils supplémentaires

Prévoir des durées de séchage plus longues. La durée d'exécution des programmes de votre nouveau lave-vaisselle est d'environ 2 à 5 heures par charge, mais il utilise presque 40 % moins d'énergie que des modèles plus anciens. Conçu pour une faible consommation d'ensemble avec un moteur à faible consommation d'énergie, votre lave-vaisselle lave plus longtemps pour garantir un lavage d'exception. Certains modèles sont dotés d'un capteur optique de niveau d'eau; pour ces modèles, le premier programme doit se calibrer en fonction du capteur optique et est donc plus long que les autres. La sélection de certaines options peut entraîner l'allongement de la durée du programme et mener à une durée totale de plus de 3 heures et demie.

L'agent de rinçage est essentiel pour un séchage satisfaisant : Afin d'obtenir un bon séchage et pour limiter l'accumulation de dépôts d'eau dure, ce lave-vaisselle est conçu pour être utilisé avec un agent de rinçage. Les lave-vaisselle éconergiques consomment moins d'eau et d'énergie. Ils dépendent donc de l'effet « nappe d'eau » d'un agent de rinçage pour fournir un bon séchage.

Il est possible que le témoin lumineux Start/Resume (mise en marche/reprise) clignote :

Lorsque l'on appuie sur Start/Resume (mise en marche/reprise), refermer la porte dans les 3 secondes qui suivent. Si l'on ne ferme pas la porte dans les 3 secondes qui suivent, le témoin lumineux Start/Resume (mise en marche/reprise) continue de clignoter jusqu'à ce que l'on appuie à nouveau dessus. (Cette opération est également nécessaire lors de l'ajout d'un plat au cours d'un programme.)

Témoin d'état avant :

Pour les lave-vaisselle munis d'un témoin d'état sur la porte avant, le témoin s'allume lorsque le programme est en marche et reste allumé jusqu'à la fin du programme (ceci comprend la partie séchage du programme) ou que le programme soit annulé. Le témoin lumineux avant s'éteint lorsque le programme est terminé ou annulé.

# NOTES

# NOTES

# NOTES

# NOTES

# NOTES

