

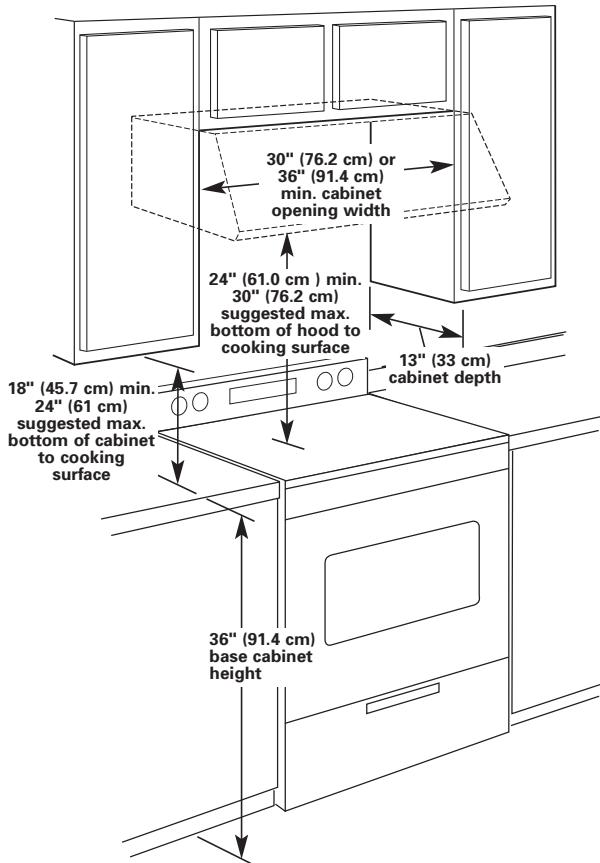
Range Hood – 30" (76.2 cm) and 36" (91.4 cm)

PRODUCT MODEL NUMBERS

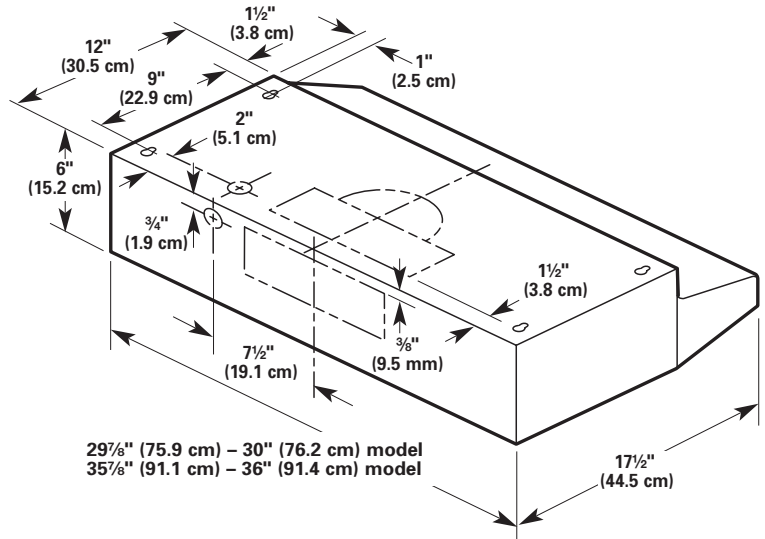
UXT5230BD UXT5236BD

Electrical: 120-volt, 60-Hz, AC-only, 15-amp. electrical supply. Use copper wire only. A time-delay fuse or circuit breaker and separate circuit is recommended.

CABINET OPENING DIMENSIONS

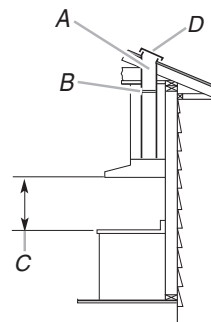


OVERALL DIMENSIONS



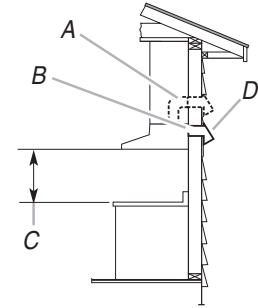
VENTING REQUIREMENTS

Roof Venting



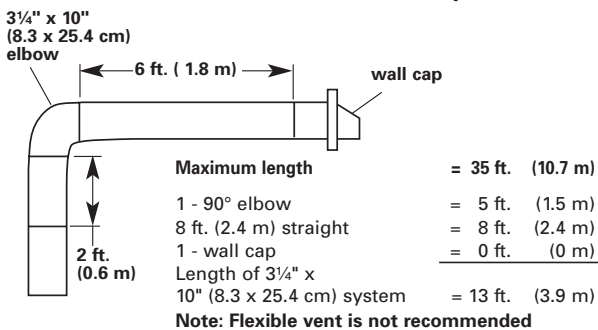
- A. 6" (15.2 cm) round vent or a 3 1/4" x 10" (8.3 x 25.4 cm) vent through roof
- B. Round vent: use 6" (15.2 cm) round damper (purchased separately)
- C. 18" (45.7 cm) to 24" (61.0 cm) above cooking surface
- D. Roof cap

Wall Venting

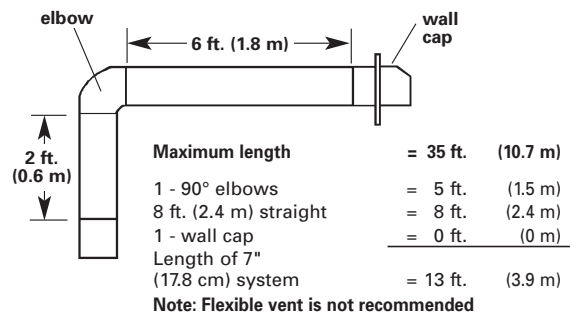


- A. 6" (15.2 cm) round vent or a 3 1/4" x 10" (8.3 x 25.4 cm) vent through wall
- B. 3 1/4" x 10" (8.3 x 25.4 cm) vent through the wall
- C. 18" (45.7 cm) to 24" (61.0 cm) above cooking surface
- D. Wall cap

3 1/4" x 10" (8.3 x 25.4 cm) vent system



6" (15.2 cm) vent system



3 1/4" x 10" (8.3 x 25.4 cm) vent system

3 1/4" x 10" (8.3 x 25.4 cm) 90° elbow = 5 ft. (1.5 m)	3 1/4" x 10" (8.3 x 25.4 cm) flat elbow = 12 ft. (3.7 m)	3 1/4" x 10" (8.3 x 25.4 cm) wall cap = 0 ft. (0 m)

6" (15.2 cm) vent system

90° elbow = 5 ft. (1.5 m)	45° elbow = 2.5 ft. (0.8 m)	6" (15.2 cm) wall cap = 0 ft. (0 m)	3 1/4" x 10" (8.3 x 25.4 cm) to 6" (15.2 cm) = 4.5 ft. (1.4 m)	3 1/4" x 10" (8.3 x 25.4 cm) 90° elbow = 5 ft. (1.5 m)