



W10354188C



BUILT-IN MICROWAVE OVEN

Use & Care Guide

For questions about features, operation/performance, parts, accessories or service, call: **1-800-253-1301**.

or visit our website at...
www.whirlpool.com

FOUR À MICRO- ONDES ENCASTRÉ

Guide d'utilisation et d'entretien

Pour des questions à propos des caractéristiques, du fonctionnement/ rendement, des pièces, accessoires ou service, composez le :
1-800-807-6777.

ou visitez notre site Web
www.whirlpoolappliances.ca

Table of Contents/Table des matières 2

**Models/Modèles
WOC54E WOC95E**

TABLE OF CONTENTS

| | |
|-------------------------------------|----|
| MICROWAVE OVEN SAFETY | 2 |
| Electrical Requirements | 4 |
| PARTS AND FEATURES | 5 |
| MICROWAVE OVEN CONTROL | 6 |
| MICROWAVE OVEN USE | 6 |
| Food Characteristics | 6 |
| Cooking Guidelines | 7 |
| Cookware and Dinnerware | 7 |
| Aluminum Foil and Metal | 7 |
| Microwave Cooking Power | 7 |
| Cook Time/Power | 8 |
| Sensor Cook | 8 |
| Preset Foods | 8 |
| Reheat | 9 |
| Defrost | 9 |
| Popcorn | 10 |
| Beverage | 10 |
| Steam Cook | 11 |
| MICROWAVE OVEN CARE | 12 |
| General Cleaning | 12 |
| TROUBLESHOOTING | 13 |
| ASSISTANCE OR SERVICE | 14 |
| In the U.S.A. | 14 |
| Accessories | 14 |
| In Canada | 14 |
| WARRANTY | 15 |

TABLE DES MATIÈRES

| | |
|---|----|
| SÉCURITÉ DU FOUR À MICRO-ONDES | 17 |
| Spécifications électriques | 19 |
| PIÈCES ET CARACTÉRISTIQUES | 19 |
| MODULE DE COMMANDE DU FOUR À MICRO-ONDES | 20 |
| UTILISATION DU FOUR À MICRO-ONDES | 20 |
| Caractéristiques des aliments..... | 20 |
| Guide de cuisson..... | 21 |
| Ustensiles de cuisson et vaisselle..... | 21 |
| Papier d'aluminium et métal..... | 21 |
| Puissance de cuisson des micro-ondes..... | 22 |
| Cook Time/Power..... | 22 |
| Cuisson par détection | 22 |
| Preset Foods (aliments pré-programmés) | 23 |
| Réchauffage | 23 |
| Defrost (décongélation) | 24 |
| Popcorn (maïs soufflé)..... | 25 |
| Boisson | 25 |
| Cuisson à la vapeur..... | 26 |
| ENTRETIEN DU FOUR À MICRO-ONDES | 27 |
| Nettoyage général | 27 |
| DÉPANNAGE | 28 |
| ASSISTANCE OU SERVICE | 29 |
| Aux États-Unis..... | 29 |
| Accessoires | 29 |
| Au Canada..... | 29 |
| GARANTIE | 30 |

MICROWAVE OVEN SAFETY

Your safety and the safety of others are very important.

We have provided many important safety messages in this manual and on your appliance. Always read and obey all safety messages.



This is the safety alert symbol.

This symbol alerts you to potential hazards that can kill or hurt you and others.

All safety messages will follow the safety alert symbol and either the word "DANGER" or "WARNING." These words mean:

⚠ DANGER

You can be killed or seriously injured if you don't immediately follow instructions.

⚠ WARNING

You can be killed or seriously injured if you don't follow instructions.

All safety messages will tell you what the potential hazard is, tell you how to reduce the chance of injury, and tell you what can happen if the instructions are not followed.

IMPORTANT SAFETY INSTRUCTIONS

When using electrical appliances basic safety precautions should be followed, including the following:

WARNING: To reduce the risk of burns, electric shock, fire, injury to persons, or exposure to excessive microwave energy:

- Read all instructions before using the microwave oven.
- Read and follow the specific "PRECAUTIONS TO AVOID POSSIBLE EXPOSURE TO EXCESSIVE MICROWAVE ENERGY" found in this section.
- The microwave oven must be grounded. Connect only to properly grounded outlet. See "GROUNDING INSTRUCTIONS" found in this section.
- Install or locate the microwave oven only in accordance with the provided Installation Instructions.
- Some products such as whole eggs in the shell and sealed containers – for example, closed glass jars – may explode and should not be heated in the microwave oven.
- Use the microwave oven only for its intended use as described in this manual. Do not use corrosive chemicals or vapors in the microwave oven. This type of oven is specifically designed to heat, cook, or dry food. It is not designed for industrial or laboratory use.
- Oversized foods or oversized metal utensils should not be inserted in the microwave oven as they may create a fire or risk of electric shock.
- Do not clean with metal scouring pads. Pieces can burn off the pad and touch electrical parts involving a risk of electric shock.
- Do not store any materials, other than manufacturer's recommended accessories, in this oven when not in use.
- Do not operate the microwave oven if it has a damaged cord or plug, if it is not working properly, or if it has been damaged or dropped.
- Do not deep fry in oven. Microwavable utensils are not suitable and it is difficult to maintain appropriate deep frying temperatures.
- Do not use paper products when appliance is operated in the "PAN BROWN" mode.
- Do not cover racks or any other part of the oven with metal foil. This will cause overheating of the oven.
- As with any appliance, close supervision is necessary when used by children.

- The microwave oven should be serviced only by qualified service personnel. Contact nearest authorized service company for examination, repair, or adjustment.
- Do not cover or block any openings on the microwave oven.
- Liquids, such as water, coffee, or tea are able to be overheated beyond the boiling point without appearing to be boiling. Visible bubbling or boiling when the container is removed from the microwave oven is not always present. **THIS COULD RESULT IN VERY HOT LIQUIDS SUDDENLY BOILING OVER WHEN THE CONTAINER IS DISTURBED OR A SPOON OR OTHER UTENSIL IS INSERTED INTO THE LIQUID.**

To reduce the risk of injury to persons:

- Do not overheat the liquid.
- Stir the liquid both before and halfway through heating it.
- Do not use straight-sided containers with narrow necks.
- After heating, allow the container to stand in the microwave oven for a short time before removing the container.
- Use extreme care when inserting a spoon or other utensil into the container.
- Do not store the microwave oven outdoors. Do not use this product near water - for example, near a kitchen sink, in a wet basement, or near a swimming pool, and the like.
- See door surface cleaning instructions in the "Oven Care" section.
- To reduce the risk of fire in the oven cavity:
 - Do not overcook food. Carefully attend the microwave oven if paper, plastic, or other combustible materials are placed inside the oven to facilitate cooking.
 - Remove wire twist-ties from paper or plastic bags before placing bags in oven.
 - If materials inside the oven should ignite, keep oven door closed, turn oven off, and disconnect the power cord, or shut off power at the fuse or circuit breaker panel.
 - Do not use the cavity for storage purposes. Do not leave paper products, cooking utensils, or food in the cavity when not in use.

SAVE THESE INSTRUCTIONS

PRECAUTIONS TO AVOID POSSIBLE EXPOSURE TO EXCESSIVE MICROWAVE ENERGY

- (a) Do not attempt to operate this oven with the door open since open-door operation can result in harmful exposure to microwave energy. It is important not to defeat or tamper with the safety interlocks.
- (b) Do not place any object between the oven front face and the door or allow soil or cleaner residue to accumulate on sealing surfaces.
- (c) Do not operate the oven if it is damaged. It is particularly important that the oven door close properly and that there is no damage to the:
 - (1) Door (bent),
 - (2) Hinges and latches (broken or loosened),
 - (3) Door seals and sealing surfaces.
- (d) The oven should not be adjusted or repaired by anyone except properly qualified service personnel.

State of California Proposition 65 Warnings:

WARNING: This product contains one or more chemicals known to the State of California to cause cancer.

WARNING: This product contains one or more chemicals known to the State of California to cause birth defects or other reproductive harm.

Electrical Requirements

The microwave oven is connected to a 110 volt side of the 240 volt circuit required for the lower oven. If the incoming voltage to the microwave oven is less than 110 volts, cooking times may be longer. Have a qualified electrician check your electrical system.

GROUNDING INSTRUCTIONS

For a permanently connected microwave oven:

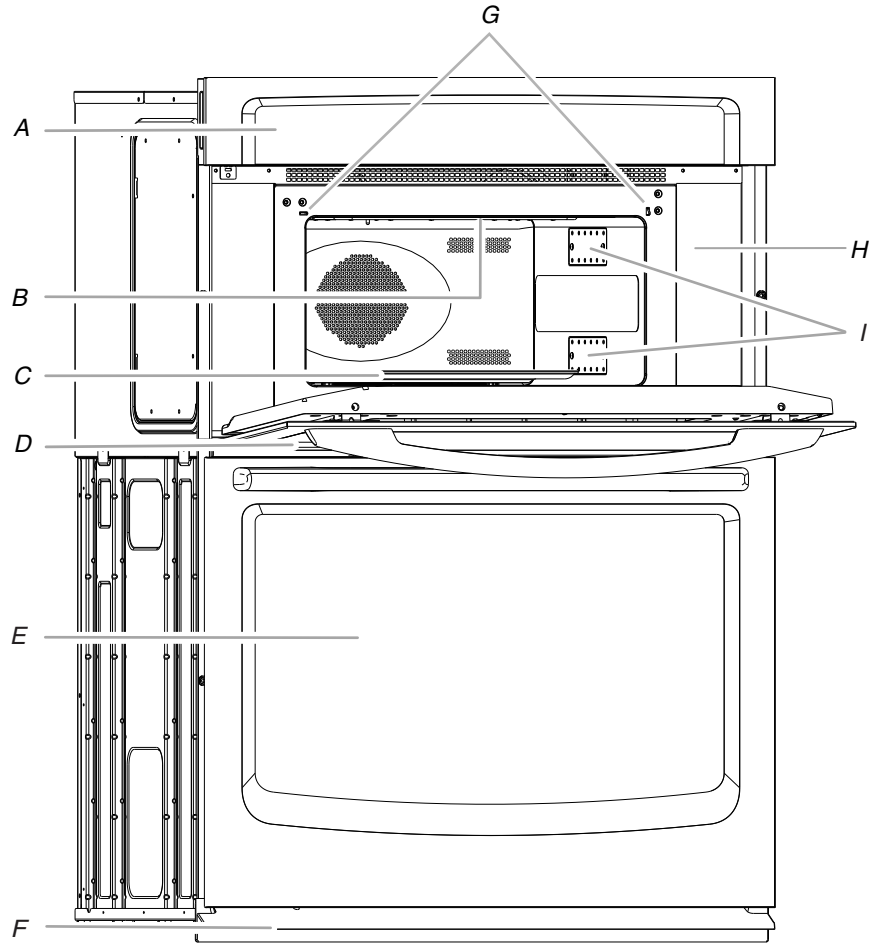
The microwave oven must be connected to a grounded, metallic, permanent wiring system, or an equipment grounding conductor should be run with the circuit conductors and connected to the equipment grounding terminal or lead on the microwave oven.

SAVE THESE INSTRUCTIONS

This device complies with Part 18 of the FCC Rules.

PARTS AND FEATURES

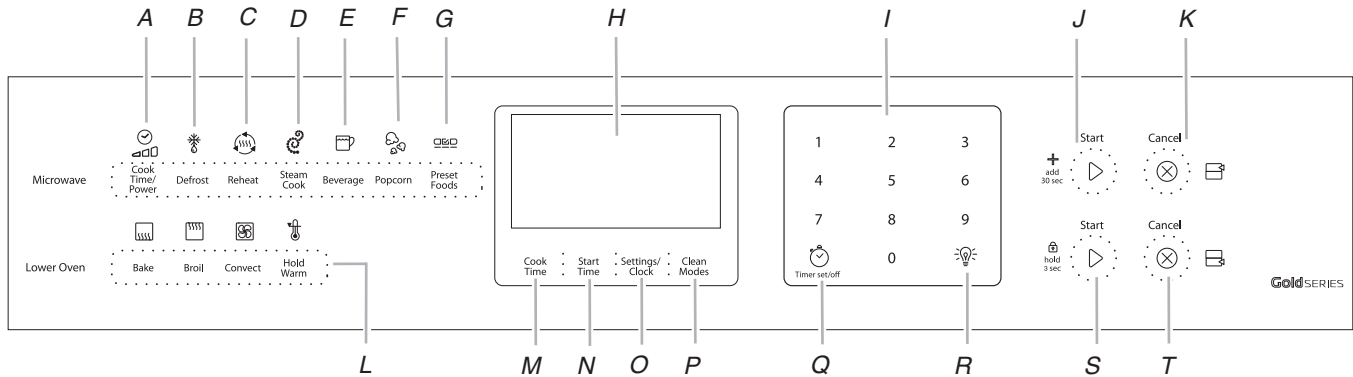
This manual covers different models. The oven you have purchased may have some or all of the items listed. The locations and appearances of the features shown here may not match those of your model.



- A. Electronic oven control
- B. Model and serial number plate
(position to be determined)
- C. Light
- D. Turntable
- E. Metal shielded window

- F. Lower oven (on combination models. See
separate Use and Care Guide.)
- G. Bottom vent
- H. Door switch
- I. Dual microwave emission

MICROWAVE OVEN CONTROL



- A. Cook time/power
- B. Defrost
- C. Reheat
- D. Steam cook
- E. Beverage
- F. Popcorn
- G. Preset foods

- H. Electronic display
- I. Temp/Time keypad
- J. Microwave oven start
- K. Microwave oven cancel
- L. Oven settings (lower oven)
- M. Cook time (lower oven)
- N. Start time (lower oven)

- O. Settings (lower oven)
- P. Clean modes (lower oven)
- Q. Timer set/off
- R. Oven light
- S. Lower oven start
- T. Lower oven cancel

MICROWAVE OVEN USE

A magnetron in the microwave oven produces microwaves which reflect off the metal floor, walls and ceiling and pass through the turntable and appropriate cookware to the food. Microwaves are attracted to and absorbed by fat, sugar and water molecules in the food, causing them to move, producing friction and heat which cooks the food.

- To avoid damage to the microwave oven, do not lean on or allow children to swing on the microwave oven door.
- To avoid damage to the microwave oven, do not operate microwave oven when it is empty.
- Baby bottles and baby food jars should not be heated in microwave oven.
- Clothes, flowers, fruit, herbs, wood, gourds, paper, including brown paper bags and newspaper, should not be dried in microwave oven.
- Paraffin wax will not melt in the microwave oven because it does not absorb microwaves.
- Use oven mitts or pot holders when removing containers from microwave oven.
- Do not overcook potatoes. At the end of the recommended cook time, potatoes should be slightly firm. Let potatoes stand for 5 minutes. They will finish cooking while standing.
- Do not cook or reheat whole eggs inside the shell. Steam buildup in whole eggs may cause them to burst, requiring significant cleanup of microwave oven cavity. Cover poached eggs and allow a standing time.

Food Characteristics

When microwave cooking, the amount, size and shape, starting temperature, composition and density of the food affect cooking results.

Amount of Food

The more food heated at once, the longer the cook time needed. Check for doneness and add small increments of time if necessary.

Size and Shape

Smaller pieces of food will cook more quickly than larger pieces, and uniformly shaped foods cook more evenly than irregularly shaped food.

Starting Temperature

Room temperature foods will heat faster than refrigerated foods, and refrigerated foods will heat faster than frozen foods.

Composition and Density

Foods high in fat and sugar will reach a higher temperature, and will heat faster than other foods. Heavy, dense foods, such as meat and potatoes, require a longer cook time than the same size of a light, porous food, such as cake.

Cooking Guidelines

Covering

Covering food helps retain moisture, shorten cook time and reduce spattering. Use the lid supplied with cookware. If a lid is not available, wax paper, paper towels or plastic wrap approved for microwave ovens may be used. Plastic wrap should be turned back at one corner to provide an opening to vent steam. Condensation on the door and cavity surfaces is normal during heavy cooking.

Stirring and Turning

Stirring and turning redistribute heat evenly to avoid overcooking the outer edges of food. Stir from outside to center. If possible, turn food over from bottom to top.

Arranging

If heating irregularly shaped or different sized foods, arrange the thinner parts and smaller sized items toward the center. If cooking several items of the same size and shape, place them in a ring pattern, leaving the center of the ring empty.

Piercing

Before heating, use a fork or small knife to pierce or prick foods that have a skin or membrane, such as potatoes, egg yolks, chicken livers, hot dogs, and sausage. Prick in several places to allow steam to vent.

Shielding

Use small, flat pieces of aluminum foil to shield the thin pieces of irregularly shaped foods, bones and foods such as chicken wings, leg tips and fish tail. See "Aluminum Foil and Metal" first.

Standing Time

Food will continue to cook by the natural conduction of heat even after the microwave cooking cycle ends. The length of standing time depends on the volume and density of the food.

Cookware and Dinnerware

Cookware and dinnerware must fit on the turntable. Always use oven mitts or pot holders when handling because any dish may become hot from heat transferred from the food. Do not use cookware and dinnerware with gold or silver trim. Use the following chart as a guide, then test before using.

| MATERIAL | RECOMMENDATIONS |
|--|--|
| Aluminum Foil, Metal | See "Aluminum Foil and Metal" section. |
| Browning Dish | Bottom must be at least 3/16" (5 mm) above the turntable. Follow manufacturer's recommendations. |
| Ceramic Glass, Glass | Acceptable for use. |
| China, Earthenware | Follow manufacturer's recommendations. |
| Melamine | Follow manufacturer's recommendations. |
| Paper: Towels, Dinnerware, Napkins | Use nonrecycled and those approved by the manufacturer for microwave oven use. |
| Plastic: Wraps, Bags, Covers, Dinnerware, Containers | Use those approved by the manufacturer for microwave oven use. |

| MATERIAL | RECOMMENDATIONS |
|----------------------------------|--|
| Pottery and Clay | Follow manufacturer's recommendations. |
| Silicone Bakeware | Follow manufacturer's recommendations. |
| Straw, Wicker, Wooden Containers | Do not use in microwave oven. |
| Wax Paper | Acceptable for use. |

To Test Cookware or Dinnerware for Microwave Use:

- Place cookware or dinnerware in microwave oven with 1 cup (250 mL) of water beside it.
- Cook at 100% cooking power for 1 minute.

Do not use cookware or dinnerware if it becomes hot and the water stays cool.

Aluminum Foil and Metal

Always use oven mitts or pot holders when removing dishes from the microwave oven.

Aluminum foil and some metal can be used in the microwave oven. If not used properly, arcing (a blue flash of light) can occur and cause damage to the microwave oven.

OK for Use

Racks and bakeware supplied with the microwave oven (on some models), aluminum foil for shielding, and approved meat thermometers may be used with the following guidelines:

- To avoid damage to the microwave oven, do not allow aluminum foil or metal to touch the inside cavity walls, ceiling or floor.
- Always use the turntable.
- To avoid damage to the microwave oven, do not allow contact with another metal object during microwave cooking.

Do Not Use

Metal cookware and bakeware, gold, silver, pewter, non-approved meat thermometers, skewers, twist ties, foil liners such as sandwich wrappers, staples and objects with gold or silver trim or a metallic glaze should not be used in the microwave oven.

Microwave Cooking Power

Many recipes for microwave cooking specify which cooking power to use by percent, name or number. For example, 70%=7=Medium-High.

Use the following chart as a general guide for the suggested cooking power of specific foods.

| PERCENT/NAME | NUMBER | USE |
|------------------------------|--------|--|
| 100%, High (default setting) | 10 | Quick heating convenience foods and foods with high water content, such as soups, beverages and most vegetables. |
| 90% | 9 | Cooking small, tender pieces of meat, ground meat, poultry pieces and fish fillets. Heating cream soups. |

| PERCENT/NAME | NUMBER | USE |
|-----------------------------|--------|--|
| 80% | 8 | Heating rice, pasta or stirrable casseroles. Cooking and heating foods that need a cook power lower than high. For example, whole fish and meat loaf. |
| 70%, Medium-High | 7 | Reheating a single serving of food. |
| 60% | 6 | Cooking sensitive foods such as cheese and egg dishes, pudding and custards. Cooking non-stirrable casseroles, such as lasagna. |
| 50%, Medium | 5 | Cooking ham, whole poultry and pot roasts. Simmering stews. |
| 40% | 4 | Melting chocolate. Heating bread, rolls and pastries. |
| 30%, Medium-Low, Defrost | 3 | Defrosting bread, fish, meats, poultry and precooked foods. |
| 20% | 2 | Softening butter, cheese, and ice cream. |
| 10%, Low | 1 | Taking chill out of fruit. |

Cook Time/Power

To Use:

- Put food into oven and close door.
- Press COOK TIME/POWER.
“Cook Time” will scroll in the upper text area. “Set Time or press again to Set Power” will scroll in the lower text area.
Press the Temp/Time keypad to enter the desired cook time.
- Press COOK TIME/POWER a second time to set cook power.
“Cook Power” will scroll in the upper text area.
Press the Temp/Time keypad to select the desired cook power.
- Press START.

Sensor Cook

You can stop the oven during a cycle by opening the door. The oven stops heating and the fan stops, but the light stays on. To restart cooking, close the door and touch START.

If you do not want to continue cooking, close the door and the light goes off, or touch UPPER CANCEL.

During the Sensor Cook function, a sensor automatically adjusts the cook time and power level.

The microwave oven display will show the time countdown once the sensor identifies the cooking duration.

If the microwave oven door is opened during a sensor function, the microwave oven will turn off and any additional operations will be canceled.

For best cooking performance:

Before using a Sensor Cook function, make sure power has been supplied to the microwave oven for at least 2 minutes, the room temperature is not above 95°F (35°C), and the outside of the cooking container and the microwave oven cavity are dry.

Many sensor cycles require covering foods. When covering foods with plastic wrap, be sure to leave a large enough vent opening to allow steam to escape.

Preset Foods

Times and cooking power have been preset for certain microwavable foods. Use the following chart as a guide.

| FOOD | NUMBER PAD | QUANTITY |
|---|---------------|-------------------------|
| Baked Potato Pierce each potato several times with a fork. Place on a paper towel. Let stand 5 minutes after cooking. | 1 | 1-4 potatoes |
| Frozen Entrée Remove from package. Loosen cover on 3 sides. Let stand 3 minutes after cooking. | 2 | 10-21 oz (283-595 g) |
| Popcorn For best results, do not use regular paper bags or glassware. Pop only 1 package of popcorn at a time. Follow manufacturer's instructions when using a microwave popcorn popper. Listen for popping to slow to 1 pop every 1 or 2 seconds, then stop the cycle. For best cooking results, do not repop unpopped kernels. For best results, use fresh bags of popcorn. Cooking results may vary by brand and fat content. | 3 | 1.75 oz-3.5 oz (50-99g) |
| Scrambled Eggs Break eggs into a microwave-safe container with high sides. Add 1 tbs (15 mL) water per egg and beat. Cover with plastic wrap and vent. Stir and let stand 2-3 minutes after cooking. | 4 | 1-4 eggs |

To Use Preset Foods:

- All the preset food options will scroll in the lower text area.
- Press the appropriate Temp/Time keypad to select quantities.
- Press START. The display will count down the cook time. When the stop time is reached, the oven will shut off automatically. If enabled, end-of-cycle tones will sound.

Reheat

Times and cooking power have been preset for certain microwavable foods. Use the following chart as a guide.

| FOOD | NUMBER PAD | Quantity |
|--|------------|-------------------------------|
| Manual | 1 | Default power level 100%. |
| Casserole Place in microwave-safe container. Cover with plastic wrap and vent. Stir and let stand 2-3 minutes after reheating. | 2 | 1-4 cups (250 mL-1 L) |
| Dinner Plate Place food on plate. Cover with plastic wrap and vent. Let stand 2-3 minutes after reheating. | 3 | 8-16 oz (227-454 g) |
| Pizza Slices Place on a paper towel. | 4 | 1-3 slices (3 oz [85 g] each) |
| Sauce Place in microwave-safe container. Cover with plastic wrap and vent. Stir and let stand 2-3 minutes after reheating. | 5 | 1-4 cups (250 mL-1 L) |
| Soup Place in microwave-safe container. Cover with plastic wrap and vent. Stir and let stand 2-3 minutes after reheating. | 6 | 1-4 cups (250 mL-1 L) |

To Reheat Foods:

1. Press REHEAT.
"Reheat" will scroll in the upper text area. All the preset food reheating options will scroll in the lower text area.
2. Press the appropriate Temp/Time keypad to select the desired preset food reheating option.
3. For Preset Foods, press the appropriate Temp/Time keypad to select quantities.
For Manual, press the appropriate Temp/Time keypad to set cook time.
Press the Reheat keypad to change cook power.
4. Press START. The display with count down the cook time. When the stop time is reached, the oven will shut off automatically. If enabled, end-of-cycle tones will sound.

Defrost

The Defrost feature can be used, or the microwave oven can be manually set to defrost by using 20% cook power.

- Unwrap foods and remove lids (from fruit juice) before defrosting. Remove any metal twist-ties and replace them with strings or elastic bands.
- If food is foil wrapped, remove foil and place it in a suitable container.
- Slit or pierce plastic pouches or packaging. Slit the skins, if any, of frozen food such as sausage.
- Bend plastic pouches of food to ensure even defrosting.
- Always underestimate defrosting time. If defrosted food is still icy in the center, return it to the microwave oven for more defrosting.
- The length of defrosting time varies according to how solidly the food is frozen.
- Shallow packages will defrost more quickly than deep blocks.
- Separate food pieces as soon as possible during or at the end of a cycle for more even defrosting.
- Foods left outside the freezer for more than 20 minutes or frozen ready-made food should not be defrosted using the Custom Defrost feature, but should be defrosted manually.
- Use small pieces of aluminum foil to shield parts of food such as chicken wings, leg tips and fish tails. See "Aluminum Foil and Metal" first.

DEFROST CHART

The Custom Defrost system has 6 categories: Manual, Weight Unknown, Bread, Fish-Seafood, Meats and Poultry. Use the following chart as a guide.

| FOOD SETTING | CODE | WEIGHT OR QUANTITY |
|----------------|------|--------------------------|
| Manual | 1 | 0.1-6.6 lbs (45 g-3 kg) |
| Weight Unknown | 2 | See Weight Unknown Chart |
| Meat* | 3 | 0.1-6.6 lbs (45 g-3 kg) |
| Poultry* | 4 | 0.1-6.6 lbs (45 g-3 kg) |
| Bread* | 5 | 0.1-2 lbs (45 g-0.9 kg) |
| Fish/Seafood* | 6 | 0.1-6.6 lbs (45 g-3 kg) |

*See Weight Unknown chart at end of "Defrost" section for cuts, sizes, and instructions.

To Use Defrost:

1. Press DEFROST.
"Defrost" will scroll in the upper text area.
2. Press the appropriate Temp/Time keypad to select the desired defrost option and weight or quantity.
3. Touch number pads from the Defrost chart to select the weight or quantity.
4. Press START.
5. Press CANCEL or open the microwave oven door to stop the Defrost cycle.

Weight Unknown Chart

Use the following chart as a guide when defrosting bread, fish, meat, or poultry.

| Food | Setting | Quantity | |
|--------------------------|-----------------|-----------------------|-------------|
| Meats | <i>Ground</i> | 1-4 cups (236 mL-1 L) | |
| | <i>Chops</i> | Small | 1-6 pieces |
| | | Medium | 1-6 pieces |
| | | Large | 1-4 pieces |
| | <i>Steak</i> | Small | 1-6 pieces |
| | | Medium | 1-4 pieces |
| Large | | 1-2 pieces | |
| Poultry | <i>Breast</i> | 1-6 pieces | |
| | <i>Ground</i> | 1-4 cups (236 mL-1 L) | |
| | <i>Pieces</i> | Small | 1-6 pieces |
| | | Medium | 1-6 pieces |
| | | Large | 1-6 pieces |
| Bread | <i>Bagel</i> | Small | 1-8 pieces |
| | | Medium | 1-6 pieces |
| | | Large | 1-6 pieces |
| | <i>Muffin</i> | Small | 4-16 pieces |
| | | Medium | 1-6 pieces |
| | | Large | 1-6 pieces |
| | <i>Roll</i> | Small | 2-8 pieces |
| | | Medium | 1-6 pieces |
| Large | | 1-6 pieces | |
| Fish/ Seafood | <i>Fillet</i> | 1-6 pieces | |
| | <i>Steak</i> | 1-4 pieces | |
| | <i>Shrimp</i> | 1-4 cups (236 mL-1 L) | |
| | <i>Scallops</i> | 1-4 cups (236 mL-1 L) | |

Popcorn

NOTE: During Popcorn function, as with all microwave cooking functions, the microwave oven should be attended at all times. Listen for popping to slow to 1 pop every 1 or 2 seconds, then stop the cycle.

- To avoid damage to the microwave oven, do not use regular paper bags or glass utensils.
- Pop only 1 package of popcorn at a time.
- Follow manufacturer's instructions when using a microwave popcorn popper.
- For best cooking results, do not try to pop unpopped kernels.
- Use fresh bags of popcorn for optimal results.
- Cooking results may vary by brand and fat content.
- The microwave oven uses the sensor to determine sizes that can be popped: 1.75-3.5 oz (50-99 g) bags.

To use POPCORN:

1. Press POPCORN. "Popcorn" will scroll in the upper text area.
2. Press START. When the stop time is reached, the oven will shut off automatically. If enabled, end-of-cycle tones will sound. (There won't be a countdown. It will display "Sensing" during the entire cycle.)
3. Press START
4. Press CANCEL or open the microwave oven door to stop the Popcorn cycle.

Beverage

Use Beverage to reheat at serving temperature.

To Use:

1. Press BEVERAGE. "Beverage" will scroll in the upper text area.
2. Press the appropriate Temp/Time keypad to select the quantity.
3. Press START.
IMPORTANT: Heated liquids can splash out during and after heating. A wooden stir stick placed in the cup or bowl during heating may help avoid this.
4. Press CANCEL or open the microwave oven door to stop the Beverage cycle.

Use the following guide when reheating beverages

| FOOD | Quantity |
|-----------------|--------------------------|
| Beverage | 1-2 cups (250 mL-500 mL) |
| Do not cover. | |

Steam Cook

Steam Cook is a sensor cooking function that uses microwaves to steam food. Use Steam for foods such as vegetables, fish and potatoes.

- Times and cooking powers have been preprogrammed for steaming a number of food types.
- Use a microwave-safe steamer.
- Use 1/2 cup (125 mL) water or as directed in the steamer instructions.

Use the following chart as a guide.

Steam Cooking Chart

| FOOD CATEGORY | Number Pad | QUANTITY |
|--|------------|-------------------------|
| Manual* | 1 | |
| Fish fillets | 2 | 0.5-1.5 lb (227-681g) |
| Fresh vegetables | 3 | |
| Broccoli, carrots, cauliflower, green beans, summer squash | | 2-6 cups (500 mL-1.5 L) |
| Asparagus | | 8-16 oz (227-454 g) |
| Corn on the cob | | 2-4 ears |
| Frozen vegetables | 4 | 2-6 cups (500 mL-1.5 L) |
| Potatoes | 5 | 2-6 cups (500 mL-1.5 L) |
| Shrimp | 6 | 5-8 oz (142-277g) |

*Manual Steam requires that a cook time be entered.

To Use Programmed Steam Cook:

1. Press STEAM COOK.
All the preset steaming options will scroll in the lower text area. Press the appropriate Temp/Time keypad to select the desired food category.
2. Press START.
“Sensing” will scroll down in the text area until the microwave oven senses the water has been properly heated.
“Steam Cook” will scroll down in the text area and will remain displayed until cooking is complete.
“Cooking Complete” will scroll down in the text area when the Steam Cook cycle is finished.
3. Press CANCEL or open the microwave oven door to stop the Steam Cook cycle.

To Use Manual Steam Cook:

1. Press STEAM COOK.
All the preset steaming options will scroll in the lower text area. Press the appropriate Temp/Time keypad to select the desired food category.
2. Press the Temp/Time “1” pad to select the Manual setting.
“MANUAL” will scroll down in the text area.
3. Press the Temp/Time keypad to enter the desired cook time.
“Set Time or Press START” will scroll down in the text area.
4. Press START.

NOTE: When you are using Steam Cook, the microwave oven controls the power. After water is brought to a boil, the food will steam for the length of the Cook Time.

“Sensing” will scroll from down in the text area until the microwave oven senses the water has been properly heated.

“STEAM COOK” will scroll down in the text area and will remain displayed until cooking is complete.

“Cooking Complete” will scroll down in the text area when the Steam Cook cycle is finished.

5. Press CANCEL or open the microwave oven door to stop the Steam Cook cycle.

MICROWAVE OVEN CARE

General Cleaning

IMPORTANT: Before cleaning, make sure all controls are off and the oven is cool. Always follow label instructions on cleaning products.

Soap, water and a soft cloth or sponge are suggested first unless otherwise noted.

MICROWAVE OVEN DOOR AND EXTERIOR

The area where the oven door and frame touch when closed should be kept clean.

Cleaning Method:

- Mild, nonabrasive soaps and detergents:
Rinse with clean water and dry with soft, lint-free cloth.
- Glass cleaner and paper towels or nonabrasive plastic scrubbing pad:
Apply glass cleaner to towel, not directly to surface.

STAINLESS STEEL

NOTE: To avoid damage to stainless steel surfaces, do not use soap-filled scouring pads, abrasive cleaners, Cooktop Cleaner, steel-wool pads, gritty washcloths or some paper towels.

Rub in direction of grain to avoid damaging.

Cleaning Method:

- Stainless Steel Cleaner and Polish 31462 (not included):
See “Assistance or Service” section to order.
- Liquid detergent or all-purpose cleaner:
Rinse with clean water and dry with soft, lint-free cloth.
- Vinegar for hard water spots

CONTROL PANEL

To avoid damage to the control panel, do not use abrasive cleaners, steel-wool pads, gritty washcloths or some paper towels.

Cleaning Method:

- Glass cleaner and soft cloth or sponge: Apply glass cleaner to soft cloth or sponge, not directly on panel.
- All-Purpose Appliance Cleaner Part Number 31662 (not included):
See “Assistance or Service” section to order.

MICROWAVE OVEN CAVITY

To avoid damage to the microwave oven cavity, do not use soap-filled scouring pads, abrasive cleaners, Cooktop Cleaner, steel-wool pads, gritty washcloths or some paper towels.

On stainless steel models, rub in direction of grain to avoid damaging.

The area where the oven door and frame touch when closed should be kept clean.

Cleaning Method:

Average soil

- Mild, nonabrasive soaps and detergents:
Rinse with clean water and dry with soft, lint-free cloth.

Heavy soil

- Mild, nonabrasive soaps and detergents:
Heat 1 cup (250 mL) of water for 2 to 5 minutes in oven. Steam will soften soil. Rinse with clean water and dry with soft, lint-free cloth.

Odors

- Lemon juice or vinegar:
Heat 1 cup (250 mL) of water with 1 tbs (15 mL) of either lemon juice or vinegar for 2 to 5 minutes in oven.

TURNTABLE

Replace turntable immediately after cleaning. Do not operate the microwave oven without the turntable in place.

Cleaning Method:

- Mild cleanser and scouring pad
- Dishwasher

TROUBLESHOOTING

Try the solutions suggested here first in order to avoid the cost of an unnecessary service call.

Nothing will operate

- **Has a household fuse blown, or has a circuit breaker tripped?**
Replace the fuse or reset the circuit breaker. If the problem continues, call an electrician.
- **Is the appliance wired properly?**
See Installation Instructions.

Display shows messages

- **Is the display showing “PF,” “PF id=27” or “PF id=30”?**
There has been a power failure. Clear the display. For further information, see the lower oven Use and Care Guide.
- **Is the display showing a letter followed by a number?**
Clear the display. For further information, see the lower oven Use and Care Guide. If the message reappears, call for service. See “Assistance or Service” section.

Microwave oven will not operate

- **Is the door completely closed?**
Firmly close door.
- **Is the electronic oven control set correctly?**
See the lower oven Use and Care Guide.
- **On some models, is the Control Lock set?**
See the lower oven Use and Care Guide.
- **On combination oven models, is the lower oven self-cleaning?**
The upper oven will not work during the lower oven Self-Cleaning Cycle.
- **Is the magnetron working properly?**
Heat 1 cup (250 mL) of cold water for 2 minutes at 100% cooking power. If water does not heat, call for service. See “Assistance or Service” section.

Microwave oven makes humming noise

- This is normal and occurs when the transformer in the magnetron cycles on.

Microwave oven door looks wavy

- This is normal and will not affect performance.

Turntable will not operate

- **Is the turntable properly in place?**
Make sure turntable is correct side up and is sitting securely on the turntable support.
- **Is the turntable support operating properly?**
Remove turntable. Remove and replace turntable support. Replace turntable. Put in 1 cup (250 mL) of water, then restart oven. If it is still not working, call for service. See “Assistance or Service” section. Do not operate the oven without turntable and turntable support working properly.

Turntable rotates both directions

- This is normal and depends on motor rotation at beginning of cycle.

Display shows time countdown, but is not operating

- **Is the Minute Timer in use?**
See the lower oven Use and Care Guide.

Tones are not sounding

- **Are tones disabled?**
See the lower oven Use and Care Guide.

Cooking times seem too long

- **Is the cooking power set properly?**
See “Cooking Power” in “Microwave Oven Use” section.
- **Are large amounts of food being heated?**
Larger amounts of food need longer cooking times.
- **Is the incoming voltage less than that specified in “Parts and Features?”**
Have a qualified electrician check the electrical system of the house.

ASSISTANCE OR SERVICE

Before calling for assistance or service, please check "Troubleshooting." It may save you the cost of a service call. If you still need help, follow the instructions below.

When calling, please know the purchase date and the complete model and serial number of your appliance. This information will help us to better respond to your request.

If you need replacement parts

If you need to order replacement parts, we recommend that you use only FSP® replacement parts. FSP® replacement parts will fit right and work right because they are made with the same precision used to build every new WHIRLPOOL® appliance.

To locate FSP® replacement parts in your area, call us or your nearest Whirlpool designated service center.

In the U.S.A.

Call the Whirlpool Customer eXperience Center toll free: **1-800-253-1301** or visit www.whirlpool.com.

Our consultants provide assistance with:

- Features and specifications on our full line of appliances.
- Installation information.
- Use and maintenance procedures.
- Accessory and repair parts sales.
- Specialized customer assistance (Spanish speaking, hearing impaired, limited vision, etc.).
- Referrals to local dealers, repair parts distributors and service companies. Whirlpool designated service technicians are trained to fulfill the product warranty and provide after-warranty service, anywhere in the United States.

To locate the Whirlpool designated service company in your area, you can also look in your telephone directory Yellow Pages.

For further assistance

If you need further assistance, you can write to Whirlpool Corporation with any questions or concerns at:

Whirlpool Brand Home Appliances
Customer eXperience Center
553 Benson Road
Benton Harbor, MI 49022-2692

Please include a daytime phone number in your correspondence.

Accessories

Accessories U.S.A.

To order accessories, visit our website at www.whirlpool.com/cookingaccessories

Porcelain Broiler Pan and Grid

Order Part Number 4396923

Premium Broiler Pan and Roasting Rack

Order Part Number W10123240
www.maytag.com/broilerpan

affresh™ Stainless Steel Cleaner

(stainless steel models)
Order Part Number W10355016

affresh™ Kitchen and Appliance Cleaner

Order Part Number W10355010

Microwave Steamer

Order Part Number 8205262RB

In Canada

Call the Whirlpool Canada LP Customer eXperience Centre toll free: **1-800-807-6777** or visit our web page www.whirlpool.ca.

Our consultants provide assistance with:

- Features and specifications on our full line of appliances.
- Use and maintenance procedures.
- Accessory and repair parts sales.
- Referrals to local dealers, repair parts distributors, and service companies. Whirlpool Canada LP designated service technicians are trained to fulfill the product warranty and provide after-warranty service, anywhere in Canada.

For further assistance

If you need further assistance, you can write to Whirlpool Canada LP with any questions or concerns at:

Customer eXperience Centre
Whirlpool Canada LP
200 - 6750 Century Ave.
Mississauga, Ontario L5N 0B7

Please include a daytime phone number in your correspondence.

WHIRLPOOL CORPORATION MAJOR APPLIANCE WARRANTY

ONE YEAR LIMITED WARRANTY

For one year from the date of purchase, when this major appliance is installed, operated and maintained according to instructions attached to or furnished with the product, Whirlpool Corporation or Whirlpool Canada LP (hereafter "Whirlpool") will pay for Factory Specified Parts and repair labor to correct defects in materials or workmanship that existed when this major appliance was purchased or at its sole discretion replace the product. If replaced, the product will be covered by the remaining one-year limited warranty of the original unit.

YOUR SOLE AND EXCLUSIVE REMEDY UNDER THIS LIMITED WARRANTY SHALL BE PRODUCT REPAIR AS PROVIDED HEREIN. Service must be provided by a Whirlpool designated service company. This limited warranty is valid only in the United States or Canada and applies only when the major appliance is used in the country in which it was purchased. Outside the 50 United States and Canada, this limited warranty does not apply. This limited warranty is effective from the date of original consumer purchase. Proof of original purchase date is required to obtain service under this limited warranty.

ITEMS EXCLUDED FROM WARRANTY

This limited warranty does not cover:

1. Service calls to correct the installation of your major appliance, to instruct you on how to use your major appliance, to replace or repair house fuses, or to correct house wiring or plumbing.
2. Service calls to repair or replace appliance light bulbs, air filters or water filters. Consumable parts are excluded from warranty coverage.
3. Repairs when your major appliance is used for other than normal, single-family household use or when it is used in a manner that is contrary to published user or operator instructions and/or installation instructions.
4. Damage resulting from accident, alteration, misuse, abuse, fire, flood, acts of God, improper installation, installation not in accordance with electrical or plumbing codes, or use of consumables or cleaning products not approved by Whirlpool.
5. Cosmetic damage, including scratches, dents, chips or other damage to the finish of your major appliance, unless such damage results from defects in materials or workmanship and is reported to Whirlpool within 30 days from the date of purchase.
6. Any food loss due to refrigerator or freezer product failures.
7. Costs associated with the removal from your home of your major appliance for repairs. This major appliance is designed to be repaired in the home and only in-home service is covered by this warranty.
8. Repairs to parts or systems resulting from unauthorized modifications made to the appliance.
9. Expenses for travel and transportation for product service if your major appliance is located in a remote area where service by an authorized Whirlpool servicer is not available.
10. The removal and reinstallation of your major appliance if it is installed in an inaccessible location or is not installed in accordance with published installation instructions.
11. Major appliances with original model/serial numbers that have been removed, altered or cannot be easily determined. This warranty is void if the factory applied serial number has been altered or removed from your major appliance.
12. Removal or replacement of trim, decorative panels, flooring, cabinetry, islands, countertops, drywall or other built-in fixtures that interfere with servicing, removal or replacement of the product.

The cost of repair or replacement under these excluded circumstances shall be borne by the customer.

DISCLAIMER OF IMPLIED WARRANTIES

IMPLIED WARRANTIES, INCLUDING ANY IMPLIED WARRANTY OF MERCHANTABILITY OR IMPLIED WARRANTY OF FITNESS FOR A PARTICULAR PURPOSE, ARE LIMITED TO ONE YEAR OR THE SHORTEST PERIOD ALLOWED BY LAW. Some states and provinces do not allow limitations on the duration of implied warranties of merchantability or fitness, so this limitation may not apply to you. This warranty gives you specific legal rights, and you also may have other rights that vary from state to state or province to province.

DISCLAIMER OF REPRESENTATIONS OUTSIDE OF WARRANTY

Whirlpool makes no representations about the quality, durability, or need for service or repair of this major appliance other than the representations contained in this warranty. If you want a longer or more comprehensive warranty than the limited warranty that comes with this major appliance, you should ask Whirlpool or your retailer about buying an extended warranty.

LIMITATION OF REMEDIES; EXCLUSION OF INCIDENTAL AND CONSEQUENTIAL DAMAGES

YOUR SOLE AND EXCLUSIVE REMEDY UNDER THIS LIMITED WARRANTY SHALL BE PRODUCT REPAIR AS PROVIDED HEREIN. WHIRLPOOL SHALL NOT BE LIABLE FOR INCIDENTAL OR CONSEQUENTIAL DAMAGES. Some states and provinces do not allow the exclusion or limitation of incidental or consequential damages, so these limitations and exclusions may not apply to you. This warranty gives you specific legal rights, and you also may have other rights that vary from state to state or province to province.

If outside the 50 United States and Canada, contact your authorized Whirlpool dealer to determine if another warranty applies.

If you need service, first see the "Troubleshooting" section of the Use & Care Guide. After checking "Troubleshooting," you may find additional help by checking the "Assistance or Service" section or by calling Whirlpool. In the U.S.A., call **1-800-253-1301**. In Canada, call **1-800-807-6777**.

6/13

Keep this book and your sales slip together for future reference. You must provide proof of purchase or installation date for in-warranty service.

Write down the following information about your major appliance to better help you obtain assistance or service if you ever need it. You will need to know your complete model number and serial number. You can find this information on the model and serial number label located on the product.

Dealer name _____

Address _____

Phone number _____

Model number _____

Serial number _____

Purchase date _____

SÉCURITÉ DU FOUR À MICRO-ONDES

Votre sécurité et celle des autres est très importante.

Nous donnons de nombreux messages de sécurité importants dans ce manuel et sur votre appareil ménager. Assurez-vous de toujours lire tous les messages de sécurité et de vous y conformer.



Voici le symbole d'alerte de sécurité.

Ce symbole d'alerte de sécurité vous signale les dangers potentiels de décès et de blessures graves à vous et à d'autres.

Tous les messages de sécurité suivront le symbole d'alerte de sécurité et le mot "DANGER" ou "AVERTISSEMENT". Ces mots signifient :

⚠ DANGER

Risque possible de décès ou de blessure grave si vous ne suivez pas immédiatement les instructions.

⚠ AVERTISSEMENT

Risque possible de décès ou de blessure grave si vous ne suivez pas les instructions.

Tous les messages de sécurité vous diront quel est le danger potentiel et vous disent comment réduire le risque de blessure et ce qui peut se produire en cas de non-respect des instructions.

IMPORTANTES INSTRUCTIONS DE SÉCURITÉ

Lors de l'utilisation d'appareils électroménagers, il convient d'observer certaines précautions élémentaires dont les suivantes :

AVERTISSEMENT : Pour réduire le risque de brûlures, de choc électrique, d'incendie, de blessures aux personnes et l'exposition excessive à l'énergie des micro-ondes :

- Lire toutes les instructions avant d'utiliser le four à micro-ondes.
- Lire et observer les instructions spécifiques de "PRÉCAUTIONS CONTRE LE RISQUE D'EXPOSITION EXCESSIVE À L'ÉNERGIE DES MICRO-ONDES" présentées dans cette section.
- Le four à micro-ondes doit être relié à la terre. Brancher l'appareil uniquement sur une prise de courant convenablement reliée à la terre. Voir les "INSTRUCTIONS DE MISE À LA TERRE" présentées dans cette section.
- Installer ou placer le four à micro-ondes uniquement selon les instructions d'installation fournies.
- Certains produits, comme les oeufs entiers dans leur coquille et les récipients fermés – par exemple les bocaux en verre fermés – peuvent exploser et on ne doit pas les faire chauffer dans un four à micro-ondes.
- Utiliser cet appareil uniquement pour les usages auxquels il est destiné, tels qu'ils sont décrits dans ce manuel. Ne pas utiliser de vapeurs ou de produits chimiques corrosifs dans le four à micro-ondes. Ce type de four est spécifiquement conçu pour chauffer, cuire ou sécher des aliments. Il n'est pas conçu pour usage industriel ou de laboratoire.
- Des aliments et des ustensiles de cuisson en métal de taille excessive ne doivent pas être placés dans le four à micro-ondes car ils peuvent créer un incendie ou un risque de choc électrique.
- Ne pas nettoyer avec un tampon à récurer en métal. Des parties se détachant du tampon peuvent toucher des pièces électriques, causant un risque de choc électrique.
- Ne pas remiser dans le four non utilisé des articles autres que les accessoires recommandés par le fabricant.
- Ne pas faire fonctionner le four à micro-ondes si le cordon d'alimentation ou la fiche de branchement est endommagé, s'il ne fonctionne pas correctement, s'il a subi des dommages ou s'il est tombé sur le plancher.
- Ne pas frire dans le four. Les ustensiles allant au four à micro-ondes ne conviennent pas et il est difficile de maintenir des températures de friture appropriées.
- Ne pas utiliser des produits en papier lorsque l'appareil fonctionne au mode "PAN BROWN" (brunissement).
- Ne pas couvrir les grilles ou toute autre partie du four avec du papier métallique. Un surchauffage du four surviendra.
- Comme pour tout appareil ménager, les enfants ne devraient utiliser ce four que sous une supervision adéquate.
- Tous les travaux de service doivent être exécutés exclusivement par un personnel d'entretien qualifié. Contacter un centre de service autorisé pour les opérations d'inspection, de réparation ou de réglage.
- Ne pas couvrir ou obstruer une ouverture quelconque du four à micro-ondes.

CONSERVEZ CES INSTRUCTIONS

IMPORTANTES INSTRUCTIONS DE SÉCURITÉ

- Les liquides tels que l'eau, le café ou le thé peuvent trop chauffer – au-delà du point d'ébullition – sans sembler bouillir. Il n'y a pas toujours des bulles ou une ébullition lorsqu'on retire le récipient du four à micro-ondes. À CAUSE DE CECI, DES LIQUIDES TRÈS CHAUDS POURRAIENT DÉBORDER LORSQU'ON BOUGE LE RÉCIPIENT OU QUE L'ON UTILISE UNE CUILLÈRE OU UN AUTRE USTENSILE POUR LE REMUER.

Pour réduire le risque de blessures corporelles :

- Ne pas trop faire chauffer le liquide.
- Remuer le liquide avant et pendant le chauffage.
- Ne pas utiliser de récipients à parois droites avec des ouvertures étroites.
- Une fois chaud, laisser le récipient dans le four à micro-ondes un moment avant de le retirer.
- Faire très attention lorsqu'on utilise une cuillère ou un autre ustensile dans le récipient.

- Ne pas remettre le four à micro-ondes à l'extérieur. Ne pas utiliser cet appareil près de l'eau, comme par exemple près d'un évier de cuisine, un sous-sol mouillé ou près d'une piscine ou autres endroits semblables.
- Voir les instructions de nettoyage de la surface de la porte à la section "Entretien du four à micro-ondes".
- Pour réduire le risque d'incendie dans la cavité du four :
 - Ne pas faire cuire les aliments excessivement. Surveiller attentivement le four à micro-ondes après y avoir placé des produits en papier, en plastique ou autres matériaux combustibles pour faciliter la cuisson des aliments.
 - Enlever les attaches métalliques des sachets en papier ou en plastique avant de placer les sachets dans le four.
 - En cas d'inflammation de matériaux placés à l'intérieur du four, maintenir la porte du four fermée, arrêter le four et débrancher le cordon de courant électrique, ou interrompre l'alimentation électrique au niveau du tableau de distribution (fusible ou disjoncteur).
 - Ne pas utiliser la cavité du four comme espace de rangement. Ne pas laisser dans le four des produits en papier, ustensiles de cuisine ou produits alimentaires, lorsqu'il n'est pas utilisé.

CONSERVEZ CES INSTRUCTIONS

PRÉCAUTIONS CONTRE LE RISQUE D'EXPOSITION EXCESSIVE À L'ÉNERGIE DES MICRO-ONDES

- (a) Ne pas tenter de faire fonctionner ce four lorsque la porte est ouverte, car ceci pourrait susciter une exposition dangereuse à l'énergie des micro-ondes. Il est important de ne pas entraver le fonctionnement correct du dispositif de verrouillage de sécurité.
- (b) Ne pas placer d'objet entre la surface avant du four et la porte, et ne jamais laisser des souillures ou résidus de produits de nettoyage s'accumuler sur les surfaces d'étanchéité.
- (c) Ne pas faire fonctionner le four lorsqu'il est endommagé. Il est particulièrement important que la porte du four ferme convenablement et que les composants suivants ne soient pas endommagés :
 - (1) Porte (déformation),
 - (2) Charnières et dispositif de verrouillage (brisés ou desserrés),
 - (3) Joints de porte et surfaces d'étanchéité.
- (d) Seul un personnel d'entretien qualifié est habilité à exécuter des réparations ou réglages sur cet appareil.

Avertissements de la proposition 65 de l'État de Californie :

AVERTISSEMENT : Ce produit contient au moins un produit chimique connu par l'État de Californie pour être à l'origine de cancers.

AVERTISSEMENT : Ce produit contient au moins un produit chimique connu par l'État de Californie pour être à l'origine de malformations et autres déficiences de naissance.

Spécifications électriques

Le four à micro-ondes est connecté du côté 110 volts du circuit de 240 volts requis pour le four inférieur. Si la tension d'entrée au four à micro-ondes est inférieure à 110 volts, les temps de cuisson risquent de s'allonger. Demander à un électricien qualifié de vérifier votre système électrique.

INSTRUCTIONS DE LIAISON À LA TERRE

Pour un four à micro-ondes raccordé en permanence :

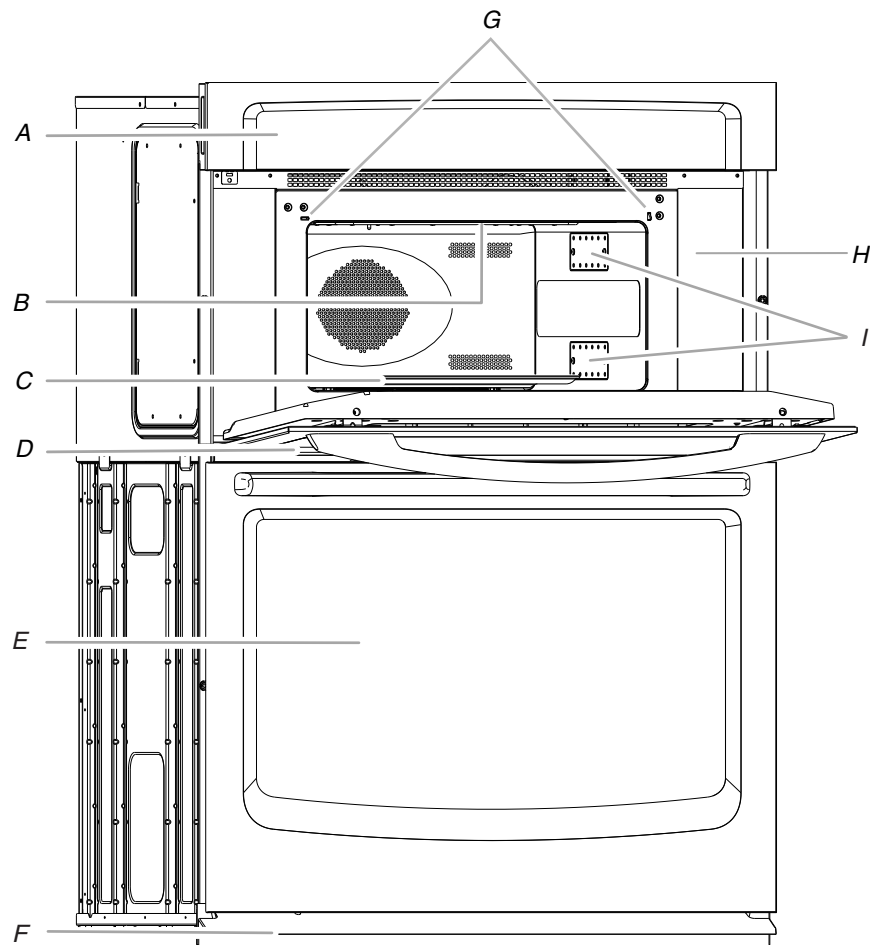
Le four à micro-ondes doit être raccordé à un système de câblage permanent en métal relié à la terre, ou le câblage d'alimentation doit inclure un conducteur de liaison à la terre connecté à la borne ou à un fil de liaison à la terre sur le four à micro-ondes.

CONSERVER CES INSTRUCTIONS

Ce dispositif est conforme à la section 18 des règlements FCC.

PIÈCES ET CARACTÉRISTIQUES

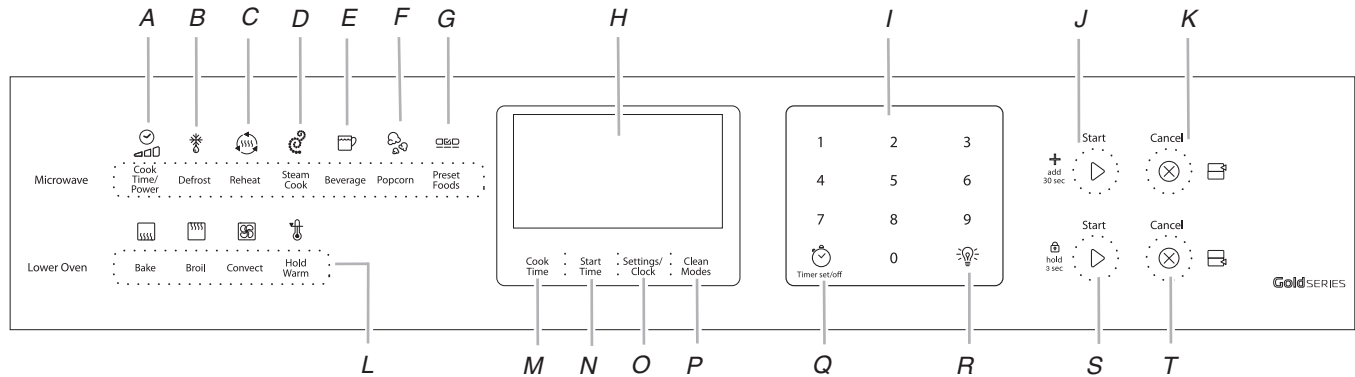
Ce manuel couvre différents modèles. Le four que vous avez acheté peut comporter tous les articles énumérés ou seulement certains d'entre eux. L'emplacement et l'apparence des caractéristiques illustrées peuvent ne pas correspondre à ceux de votre modèle.



- A. Commande électronique du four
- B. Plaque signalétique (position à déterminer)
- C. Éclairage
- D. Plateau rotatif
- E. Hublot avec grille métallique

- F. Four inférieur (sur modèles combinés. Voir le Guide d'utilisation et d'entretien séparé).
- G. Événement du bas
- H. Commutateur de porte
- I. Double sortie d'émission de micro-ondes

MODULE DE COMMANDE DU FOUR À MICRO-ONDES



A. Durée de cuisson/puissance
B. Décongélation
C. Réchauffage
D. Cuisson à la vapeur
E. Boisson
F. Maïs soufflé
G. Aliments pré-programmés

H. Affichage électronique
I. Touche température/durée
J. Mise en marche du four à micro-ondes
K. Annulation du four à micro-ondes
L. Réglages du four (four inférieur)
M. Durée de cuisson (four inférieur)
N. Heure de démarrage (four inférieur)

O. Réglages (four inférieur)
P. Modes de nettoyage (lower oven)
Q. Réglage/arrêt de la minuterie
R. Éclairage du four
S. Mise en marche du four inférieur
T. Annulation du four inférieur

UTILISATION DU FOUR À MICRO-ONDES

Un magnétron dans le four à micro-ondes produit des micro-ondes qui rebondissent de la base, des parois et de la voûte en métal et qui passent à travers le plateau rotatif et les ustensiles de cuisson appropriés pour atteindre l'aliment. Les micro-ondes sont attirées et absorbées par le gras, le sucre et les molécules d'eau dans les aliments et font déplacer ces molécules, en produisant une friction et une chaleur qui fait cuire les aliments.

- Pour éviter d'endommager le four à micro-ondes, ne pas s'appuyer ou laisser les enfants se balancer sur la porte du four à micro-ondes.
- Pour éviter d'endommager le four à micro-ondes, ne pas faire fonctionner le four à micro-ondes à vide.
- Les biberons et les petits pots d'aliments pour bébés ne doivent pas être chauffés dans le four à micro-ondes.
- Les vêtements, fleurs, fruits, herbes, gourdes, le bois, le papier - y compris les sacs en papier brun et les journaux - ne doivent pas être séchés dans le four à micro-ondes.
- La paraffine ne fondra pas dans le four à micro-ondes car elle n'absorbe pas les micro-ondes.
- Utiliser des mitaines de four ou des maniques lors de l'enlèvement de contenants du four à micro-ondes.
- Ne pas faire cuire les pommes de terre excessivement. À la fin de la durée de cuisson recommandée, les pommes de terre devraient être légèrement fermes. Laisser les pommes de terre reposer pendant 5 minutes. Elles achèveront de cuire pendant cette période.
- Ne pas faire cuire ou réchauffer des œufs entiers avec leur coquille. La vapeur accumulée dans les œufs entiers pourrait les faire éclater, ce qui exigerait le nettoyage significatif de la cavité du four à micro-ondes. Recouvrir les œufs pochés et les laisser reposer.

Caractéristiques des aliments

Lors de la cuisson au four à micro-ondes, la quantité, la taille, la forme, la température de début, la composition et la densité de l'aliment affectent les résultats de cuisson.

Quantité d'aliments

Les quantités plus grandes d'aliments nécessitent des durées de cuisson plus longues. Vérifier le degré de cuisson et prolonger légèrement la durée si nécessaire.

Taille et forme

Des morceaux plus petits d'aliments cuiront plus vite que les gros morceaux, et les aliments uniformes cuiront plus également que les aliments de forme irrégulière.

Température de début

Les aliments à température ambiante chaufferont plus vite que les aliments réfrigérés, et les aliments réfrigérés chaufferont plus vite que les aliments congelés.

Composition et densité

Les aliments à haute teneur en gras et en sucre atteindront une température plus élevée et chaufferont plus vite que les autres. Les aliments lourds et denses, tels que la viande et les pommes de terre, nécessitent un temps de cuisson plus long qu'un aliment de la même taille, léger et poreux tel que les gâteaux.

Guide de cuisson

Recouvrement

Le recouvrement des aliments aide à retenir l'humidité, réduire le temps de cuisson et réduire les éclaboussures. Utiliser le couvercle fourni avec l'ustensile de cuisson. S'il n'y a pas de couvercle disponible, du papier paraffiné, un essuie-tout ou une pellicule de plastique approuvée pour les micro-ondes peuvent être utilisés. La pellicule de plastique doit être retournée à un coin pour fournir une ouverture à l'échappement de la vapeur. La condensation sur les surfaces de la porte et de la cavité est normale pendant une cuisson intense.

Remuer et tourner

Remuer et tourner les aliments permet de redistribuer la chaleur de manière égale pour éviter la cuisson excessive des bords des aliments. Mélanger de l'extérieur vers le centre. Si possible, retourner les aliments de haut en bas.

Disposition

S'il s'agit d'aliments de forme irrégulière ou de dimensions différentes, les parties plus minces et les morceaux plus petits doivent être disposés près du centre. Si l'on cuit plusieurs aliments de même taille et de même forme, les placer en cercle, en laissant le centre du cercle vide.

Dégagement de la pression

Avant le chauffage, utiliser une fourchette ou un petit couteau pour percer les aliments qui ont une peau ou une membrane, tels que les pommes de terre, jaunes d'œufs, foies de poulet, hot dogs et saucisses. Percer en plusieurs endroits pour laisser échapper la vapeur.

Protection

Utiliser du papier d'aluminium en petits morceaux plats pour protéger les parties minces d'aliments de forme irrégulière, les os, et des aliments tels que les ailes et pilons de poulet et les queues de poisson. Voir en premier "Papier d'aluminium et métal".

Temps de repos

Les aliments continueront à cuire par la conduction naturelle de la chaleur même lorsque le programme de micro-ondes sera terminé. La durée du temps de repos dépend du volume et de la densité de l'aliment.

Ustensiles de cuisson et vaisselle

Les ustensiles de cuisson et la vaisselle doivent pouvoir être placés sur le plateau rotatif. Toujours utiliser des mitaines de four ou des maniques lors de la manipulation parce que tout plat peut devenir chaud à cause de la chaleur transmise par les aliments. Ne pas utiliser des ustensiles de cuisson ou de la vaisselle avec une garniture en or ou en argent. Utiliser le tableau suivant comme guide, ensuite faire un test avant l'utilisation.

| MATÉRIAU | RECOMMANDATIONS |
|---------------------------|--|
| Papier d'aluminium, métal | Voir la section "Papier d'aluminium et métal". |
| Plat brunisseur | La base doit être au moins à 3/16" (5 mm) au-dessus du plateau rotatif. Suivre les recommandations du fabricant. |
| Vitrocéramique, verre | Peut être utilisé. |
| Porcelaine, faïence | Suivre les recommandations du fabricant. |

| MATÉRIAU | RECOMMANDATIONS |
|--|--|
| Mélatamine | Suivre les recommandations du fabricant. |
| Papier : essuie-tout, vaisselle, serviettes de table | Utiliser des produits non recyclés et ceux qui sont approuvés par le fabricant pour utilisation au four à micro-ondes. |
| Plastique : pellicule, sacs, couvercles, vaisselle, contenants | Utiliser des produits approuvés par le fabricant pour utilisation au four à micro-ondes. |
| Poterie et argile | Suivre les recommandations du fabricant. |
| Ustensile de cuisson au four en silicone | Suivre les recommandations du fabricant. |
| Paille, osier, contenants en bois | Ne pas utiliser au four à micro-ondes. |
| Papier paraffiné | Peut être utilisé. |

Pour tester l'ustensile de cuisson ou la vaisselle pour utilisation au four à micro-ondes :

- Placer l'ustensile de cuisson ou la vaisselle dans le four à micro-ondes avec 1 tasse (250 mL) d'eau à côté de l'article.
- Faire cuire à la puissance de cuisson maximale pendant 1 minute.

Ne pas utiliser cet ustensile de cuisson ou cet article de vaisselle s'il devient chaud alors que l'eau demeure froide.

Papier d'aluminium et métal

Toujours utiliser des mitaines de four ou des maniques pour enlever des plats du four à micro-ondes.

Le papier d'aluminium et certains métaux peuvent être utilisés dans le four à micro-ondes. Si ces articles ne sont pas bien utilisés, des arcs (un éclair bleu) peuvent survenir et causer des dommages au four à micro-ondes.

Utilisation possible

Les grilles et les ustensiles de cuisson au four fournis avec le four à micro-ondes (sur certains modèles), le papier d'aluminium pour protection et les thermomètres à viande approuvés peuvent être utilisés avec les précautions suivantes :

- Pour éviter d'endommager le four à micro-ondes, ne pas laisser le papier d'aluminium ou le métal toucher les parois, le plafond ou le fond de la cavité intérieure.
- Toujours utiliser le plateau rotatif.
- Pour éviter d'endommager le four à micro-ondes, ne pas permettre un contact avec un autre objet en métal durant la cuisson.

Utilisation à éviter

Les ustensiles de cuisson et de cuisson au four en métal, l'or, l'argent, l'étain, les thermomètres à viande non approuvés, les brochettes, les attaches, les doublures de papier d'aluminium telles que les enveloppes à sandwich, les agrafes et objets avec garniture en or ou en argent ou avec un enduit métallique ne doivent pas être utilisés dans le four à micro-ondes.

Puissance de cuisson des micro-ondes

De nombreuses recettes de four à micro-ondes précisent quelle puissance de cuisson doit être utilisée en indiquant un pourcentage, un nom ou un chiffre. Par exemple, 70 % = 7 = Moyen-élevé.

Utiliser le tableau suivant comme guide général pour la puissance de cuisson suggérée pour des aliments spécifiques.

| POURCENTAGE/NOM | CHIFFRE | UTILISATION |
|-----------------------------------|---------|---|
| 100 %, Élevé (par défaut) | 10 | Réchauffage rapide d'aliments de commodité et aliments à haute teneur en eau, tels que soupes, boissons et la plupart des légumes. |
| 90 % | 9 | Cuisson de petits morceaux tendres de viande, viande hachée, morceaux de volaille, filets de poisson. Réchauffage de soupes en crème. |
| 80 % | 8 | Réchauffage de riz, pâtes ou mets en sauce remuables. Cuisson et réchauffage d'aliments qui ont besoin d'une puissance de réchauffage inférieure à la puissance élevée. Par exemple, poisson entier et pain de viande. |
| 70 %, Moyen-élevé | 7 | Réchauffage d'une seule portion d'aliments. |
| 60 % | 6 | Cuisson d'aliments sensibles tels que les mets à base de fromage et d'œufs, pudding et crèmes. Cuisson de mets en sauce non remuables tels que les lasagnes. |
| 50 %, Moyen | 5 | Cuisson de jambon, de volaille entière et de morceaux de viande à braiser. Mijotage de ragoûts. |
| 40 % | 4 | Pour faire fondre le chocolat. Réchauffage du pain, des petits pains et pâtisseries. |
| 30 %, Moyen-faible, Décongélation | 3 | Décongélation de pain, poisson, viande, volaille et aliments précuits. |
| 20 % | 2 | Ramollir le beurre, le fromage et la crème glacée. |
| 10 %, Faible | 1 | Mettre les fruits à température ambiante. |

Cook Time/Power (durée de cuisson/puissance)

Utilisation :

1. Placer les aliments dans le four et fermer la porte.
2. Appuyer sur COOK TIME/POWER (durée de cuisson/puissance).
"Durée de cuisson" défile dans la zone de texte supérieure.
"Régler durée ou appuyer de nouveau pour régler puissance" défile dans la zone de texte inférieure.
Appuyer sur la touche Temp/Time (température/durée) pour entrer la durée de cuisson souhaitée.
3. Appuyer sur COOK TIME/POWER (durée de cuisson/puissance) une seconde fois pour régler la puissance de cuisson.
"Puissance de cuisson" défile dans la zone de texte supérieure.
Appuyer sur la touche Temp/Time (température/durée) pour sélectionner la puissance de cuisson souhaitée.
4. Appuyer sur START (mise en marche).

Cuisson par détection

On peut arrêter le four en cours de programme en ouvrant la porte. Le chauffage cesse et le ventilateur s'arrête, mais la lumière reste allumée. Pour poursuivre la cuisson, fermer la porte et appuyer sur START (mise en marche).

Si on ne souhaite pas poursuivre la cuisson, fermer la porte et la lumière s'éteindra, ou appuyer sur UPPER CANCEL (arrêt/annulation du four supérieur).

Pendant la fonction de cuisson par détection, un détecteur ajuste automatiquement la durée de cuisson et le niveau de puissance. L'afficheur du four à micro-ondes démarre le compte à rebours de la cuisson une fois que le détecteur a identifié la durée de cuisson.

Si la porte du four à micro-ondes est ouverte pendant une fonction de détection, le four à micro-ondes s'arrêtera, et toutes les autres opérations seront annulées.

Pour un meilleur rendement de cuisson :

Avant d'utiliser une fonction de cuisson par détection, s'assurer que le four à micro-ondes est alimenté depuis au moins 2 minutes, que la température de la pièce n'est pas supérieure à 95°F (35°C) et que l'extérieur du contenant des aliments à cuire et la cavité du four à micro-ondes sont secs.

Plusieurs programmes de détection nécessitent de couvrir les aliments. Lorsqu'on recouvre les aliments de pellicule plastique, s'assurer de laisser une ouverture d'aération suffisamment grande pour permettre à la vapeur de s'échapper.

Preset Foods (aliments pré-programmés)

Les durées et puissances de cuisson ont été pré-réglées pour certains aliments pouvant aller au four à micro-ondes. Utiliser le tableau suivant comme guide.

| ALIMENT | TOUCH NUMÉRIQUE | QUANTITÉ |
|--|-----------------|------------------------------------|
| Pomme de terre au four Percer plusieurs fois chaque pomme de terre avec une fourchette. Placer sur de l'essuie-tout. Laisser reposer 5 minutes après la cuisson. | 1 | 1 à 4 pommes de terre |
| Plat surgelé Sortir le plat de l'emballage. Dégager l'opercule sur 3 côtés. Laisser reposer 3 minutes après la cuisson. | 2 | 10-21 oz (283-595 g) |
| Maïs soufflé Pour de meilleurs résultats, ne pas utiliser de sachets de papier ordinaire ou d'articles en verre. Ne préparer qu'1 sac de maïs à éclater à la fois. Suivre les instructions du fabricant lors de l'utilisation de l'éclateur de maïs pour four à micro-ondes. Attendez que l'éclatement ralentisse à 1 éclatement toutes les 1 ou 2 secondes, puis mettre fin au programme. Pour de meilleurs résultats de cuisson, ne pas tenter de faire éclater les grains qui n'ont pas éclaté la première fois. Pour de meilleurs résultats, utiliser des sachets de maïs à éclater frais. Les résultats de cuisson peuvent varier en fonction de la marque et de la teneur en matières grasses. | 3 | 1,75 oz à 3,5 oz (50 à 99 g) |
| Oeufs brouillés Casser les œufs dans un contenant à bords élevés allant au four à micro-ondes. Ajouter 1 cuiller à soupe (15 mL) d'eau par œuf et battre le mélange. Recouvrir d'une pellicule de plastique et laisser une ouverture d'échappement de l'air. Remuer et laisser reposer 2 à 3 minutes après la cuisson. | 4 | 1 à 4 œufs |

Utilisation de Preset Foods (aliments pré-programmés) :

1. Toutes les options d'aliments pré-programmés défilent dans la zone de texte inférieure.
2. Appuyer sur la touche Temp/Time (température/durée) adéquate pour sélectionner les quantités.
3. Appuyer sur START (mise en marche). Le compte à rebours de la durée de cuisson s'affiche. Lorsque l'heure d'arrêt est atteinte, le four s'éteint automatiquement. Si activés, les signaux sonores de fin de programme se font entendre.

Réchauffage

Les durées et puissances de cuisson ont été pré-réglées pour certains aliments pouvant aller au four à micro-ondes. Utiliser le tableau suivant comme guide.

| ALIMENT | TOUCHE NUMÉRIQUE | QUANTITÉ |
|---|------------------|--|
| Réglage manuel | 1 | Niveau de puissance par défaut : 100 %. |
| Mets en sauce Placer dans un récipient résistant aux micro-ondes. Recouvrir d'une pellicule de plastique et laisser une ouverture d'échappement de l'air. Remuer et laisser reposer pendant 2 à 3 minutes après le réchauffage. | 2 | 1 à 4 tasses (250 mL à 1 L) |
| Assiettée Placer les aliments sur l'assiette. Recouvrir d'une pellicule de plastique et laisser une ouverture d'échappement de l'air. Laisser reposer 2 à 3 minutes après le réchauffage. | 3 | 8 à 16 oz (227 à 454 g) |
| Tranches de pizza Placer sur un essuie-tout. | 4 | 1 à 3 tranches (3 oz [85 g] chacune) |
| Sauce Placer dans un récipient résistant aux micro-ondes. Recouvrir d'une pellicule de plastique et laisser une ouverture d'échappement de l'air. Remuer et laisser reposer pendant 2 à 3 minutes après le réchauffage. | 5 | 1 à 4 tasses (250 mL à 1 L) |
| Soupe Placer dans un récipient résistant aux micro-ondes. Recouvrir d'une pellicule de plastique et laisser une ouverture d'échappement de l'air. Remuer et laisser reposer pendant 2 à 3 minutes après le réchauffage. | 6 | 1 à 4 tasses (250 mL à 1 L) |

Comment réchauffer :

1. Appuyez sur REHEAT (réchauffage).
“Réchauffage” défile dans la zone de texte supérieure. Toutes les options de réchauffage d'aliments pré-réglés défilent dans la zone de texte inférieure.
2. Appuyer sur la touche Temp/Time (température/durée) adéquate pour entrer l'option de réchauffage d'aliments pré-réglés souhaitée.
3. Pour les aliments pré-réglés, appuyer sur la touche Temp/Time (température/durée) adéquate pour sélectionner les quantités.
Pour une cuisson manuelle, appuyer sur la touche Temp/Time (température/durée) adéquate pour régler la durée de cuisson.
Appuyer sur la touche Reheat (réchauffage) pour modifier la puissance de cuisson.
4. Appuyer sur START (mise en marche). Le compte à rebours de la durée de cuisson s'affiche. Lorsque l'heure d'arrêt est atteinte, le four s'éteint automatiquement. Si activés, les signaux sonores de fin de programme se font entendre.

Defrost (décongélation)

On peut utiliser la caractéristique Defrost ou régler manuellement le four à micro-ondes pour la décongélation à une puissance de cuisson de 20 %.

- Déballer les aliments et enlever les couvercles (des jus de fruit) avant la décongélation. Ôter toute attache métallique et les remplacer par des ficelles ou des élastiques.
- Si l'aliment est enveloppé dans du papier d'aluminium, ôter le papier d'aluminium et placer l'aliment dans un contenant approprié.
- Opérer une fente ou percer les emballages de plastique. Percer les peaux, le cas échéant, des aliments congelés tels que les saucisses.
- Plier les emballages de plastique des aliments afin de garantir une décongélation uniforme.
- Toujours sous-estimer la durée de décongélation. Si le centre de l'aliment congelé n'est pas dégelé, poursuivre la décongélation.
- La durée de la décongélation varie en fonction du degré de congélation de l'aliment.
- Les paquets peu épais décongèlent plus rapidement que les blocs épais.
- Séparer les morceaux d'aliment le plus tôt possible au cours du programme ou à la fin de celui-ci pour une décongélation plus uniforme.
- Les aliments laissés hors du congélateur pendant plus de 20 minutes ou les aliments congelés déjà prêts ne doivent pas être décongelés en utilisant la caractéristique de décongélation pré-réglée mais doivent être décongelés manuellement.
- Utiliser de petits morceaux de papier d'aluminium pour protéger les aliments tels que les ailes et pilons de poulet et les queues de poisson. Voir d'abord “Papier d'aluminium et métal”.

TABLEAU DE DÉCONGÉLATION

Le système de décongélation personnalisée comporte 6 catégories : Manuel, Poids inconnu, Pain, Poisson/Fruits de mer, Viandes et Volaille. Utiliser le tableau suivant comme guide.

| RÉGLAGE ALIMENTS | CODE | POIDS OU QUANTITÉ |
|------------------------|------|----------------------------------|
| Réglage manuel | 1 | 0,1 à 6,6 lb (45 g à 3 kg) |
| Poids Inconnu | 2 | Voir le tableau de poids inconnu |
| Viande* | 3 | 0,1 à 6,6 lb (45 g à 3 kg) |
| Volaille* | 4 | 0,1 à 6,6 lb (45 g à 3 kg) |
| Pain* | 5 | 0,1 à 2 lb (45 g à 0,9 kg) |
| Poisson/fruits de mer* | 6 | 0,1 à 6,6 lb (45 g à 3 kg) |

*Voir le tableau de poids inconnu à la fin de la section “Décongélation” pour les morceaux découpés, les dimensions et les instructions.

Utilisation de la fonction Décongélation :

1. Appuyer sur DEFROST (décongélation).
“Décongélation” défile dans la zone de texte supérieure.
2. Appuyer sur la touche Temp/Time (température/durée) adéquate pour sélectionner l'option de décongélation, le poids et la quantité.
3. Appuyer sur les touches numériques du tableau de décongélation pour choisir le poids ou la quantité.
4. Appuyer sur START (mise en marche).
5. Appuyer sur CANCEL (annulation) ou ouvrir la porte du four à micro-ondes pour interrompre le programme de décongélation.

Tableau de poids inconnu

Utiliser le tableau suivant comme guide lors de la décongélation du pain, du poisson, de la viande ou de la volaille.²⁹

| Aliment | Réglage | Quantité | |
|-----------------------------------|----------------------|--------------------------------|--------------------------------|
| Viande | <i>Hachée</i> | 1 à 4 tasses (236 mL à 1 L) | |
| | | <i>Côtelettes</i> | Petit 1 à 6 morceaux |
| | | | Moyen 1 à 6 morceaux |
| | Gros 1 à 4 morceaux | | |
| | <i>Steak</i> | Petit 1 à 6 morceaux | |
| | | Moyen 1 à 4 morceaux | |
| | | Gros 1 à 2 morceaux | |
| | Volaille | <i>Poitrine</i> | 1 à 6 morceaux |
| | | <i>Hachée</i> | 1 à 4 tasses (236 mL à 1 L) |
| <i>Morceaux</i> | | Petit 1 à 6 morceaux | |
| | | Moyen 1 à 6 morceaux | |
| | | Gros 1 à 6 morceaux | |
| Pain | | <i>Bagel</i> | Petit 1 à 8 morceaux |
| | Moyen 1 à 6 morceaux | | |
| | Gros 1 à 6 morceaux | | |
| | <i>Muffin</i> | Petit 4 à 16 morceaux | |
| | | Moyen 1 à 6 morceaux | |
| | | Gros 1 à 6 morceaux | |
| | <i>Roulé</i> | Petit 2 à 8 morceaux | |
| | | Moyen 1 à 6 morceaux | |
| | | Gros 1 à 6 morceaux | |
| Poisson/ Fruits de mer | <i>Filet</i> | 1 à 6 morceaux | |
| | <i>Steak</i> | 1 à 4 morceau | |
| | <i>Crevettes</i> | 1 à 4 tasses (236 mL à 1 L) | |
| | <i>Escalopes</i> | 1 à 4 tasses (236 mL à 1 L) | |

Popcorn (maïs soufflé)

REMARQUE : Durant la fonction de maïs à éclater, tout comme avec toutes les fonctions de cuisson du four à micro-ondes, le four à micro-ondes doit être surveillé en permanence. Attendre que l'éclatement ralentisse jusqu'à 1 éclatement toutes les 1 ou 2 secondes, puis mettre fin au programme.

- Afin d'éviter d'endommager le four à micro-ondes, ne pas utiliser de sacs en papier ordinaire ou d'ustensiles en verre.
- Ne préparer qu'1 sac de maïs à éclater à la fois.
- Suivre les instructions du fabricant lors de l'utilisation de l'éclateur de maïs pour four à micro-ondes.
- Pour des résultats de cuisson optimaux, ne pas tenter de faire éclater les grains qui n'ont pas éclaté.
- Utiliser des sacs de maïs à éclater frais pour des résultats optimaux.
- Les résultats de cuisson peuvent varier en fonction de la marque et de la teneur en matières grasses.
- Le four à micro-ondes utilise le capteur pour déterminer les tailles de sachets pouvant être placés au four à micro-ondes : Sachets de 1,75 à 3,5 oz (50 à 99 g).

Utilisation de la fonction POPCORN (maïs soufflé) :

6. Appuyer sur POPCORN (maïs soufflé).
"Maïs soufflé" défile dans la zone de texte supérieure.
7. Appuyer sur START (mise en marche). Lorsque l'heure d'arrêt est atteinte, le four s'éteint automatiquement. Si activés, les signaux sonores de fin de programme se font entendre. (Il n'y aura pas de compte à rebours. "Détection s'affiche durant tout le programme.)
8. Appuyer sur START (mise en marche)
9. Appuyer sur CANCEL (annulation) ou ouvrir la porte du four à micro-ondes pour interrompre le programme Popcorn (maïs soufflé).

Boisson

Utiliser Beverage (boisson) pour ramener les boissons à la température de service.

Utilisation :

1. Appuyer sur BEVERAGE (boisson).
"Boisson" défile sur la zone de texte supérieure.
2. Appuyer sur la touche Temp/Time (température/durée) adéquate pour sélectionner la quantité.
3. Appuyer sur START (mise en marche).
IMPORTANT : Les liquides chauffés peuvent éclabousser durant et après le chauffage. L'utilisation d'un ustensile en bois, placé dans la tasse ou le bol pendant le chauffage, peut aider à éviter ces éclaboussures.
4. Appuyer sur CANCEL (annulation) ou ouvrir la porte du four à micro-ondes pour interrompre le programme Beverage (boisson).

Utiliser le guide suivant lors du réchauffage des boissons.

| ALIMENT | QUANTITÉ |
|-----------------|--------------------------------|
| Boisson | 1 à 2 tasses (250 mL à 500 mL) |
| Ne pas couvrir. | |

Cuisson à la vapeur

La cuisson à la vapeur est une fonction de cuisson par détection qui utilise les micro-ondes pour cuire les aliments à la vapeur.

Utiliser la cuisson à la vapeur pour les aliments tels que les légumes, le poisson et les pommes de terre.

- Les durées et puissances de cuisson ont été pré-réglées pour cuire à la vapeur plusieurs types d'aliments.
- Utiliser un panier vapeur pour micro-ondes.
- Verser ½ tasse (125 mL) d'eau ou suivre les instructions fournies avec le panier vapeur.

Utiliser le tableau suivant comme guide.

Tableau de cuisson avec vapeur

| CATÉGORIES D'ALIMENT | Touche numérique | QUANTITÉ |
|--|------------------|--|
| Manuel* | 1 | |
| Filets de poisson | 2 | 0,5 à 1,5 lb (227 à 681g) |
| Légumes frais Brocolis, carottes, chou-fleur, haricots verts, courges d'été Asperges Épi de maïs | 3 | 2 à 6 tasses (500 mL à 1,5 L) 8 à 16 oz (227 à 454 g) 2 à 4 épis |
| Légumes surgelés | 4 | 2 à 6 tasses (500 mL à 1,5 L) |
| Pommes de terre | 5 | 2 à 6 tasses (500 mL à 1,5 L) |
| Crevettes | 6 | 5 à 8 oz (142 à 277g) |

*La cuisson à la vapeur manuelle nécessite de programmer une durée de cuisson.

Utilisation de la fonction de cuisson à la vapeur programmée :

1. Appuyer sur STEAM COOK (cuisson à la vapeur). Toutes les options pré-réglées de cuisson à la vapeur défilent dans la zone de texte inférieure. Appuyer sur la touche Temp/Time (température/durée) adéquate pour entrer la catégorie d'aliments souhaitée.
2. Appuyer sur START (mise en marche). "Détection" défile dans la zone texte jusqu'à ce que le four à micro-ondes détecte que l'eau est correctement chauffée. "Cuisson à la vapeur" défile dans la zone texte et reste affiché jusqu'à ce que la cuisson soit terminée. "Cuisson terminée" défile dans la zone texte et reste affiché jusqu'à ce que le programme de cuisson à la vapeur soit terminé.
3. Appuyer sur CANCEL (annulation) ou ouvrir la porte du four à micro-ondes pour interrompre le programme Steam Cook (cuisson à la vapeur).

Utilisation de la cuisson à la vapeur manuelle :

1. Appuyer sur STEAM COOK (cuisson à la vapeur). Toutes les options pré-réglées de cuisson à la vapeur défilent dans la zone de texte inférieure. Appuyer sur la touche Temp/Time (température/durée) adéquate pour entrer la catégorie d'aliments souhaitée.
2. Appuyer sur la touche "1" de Temp/Time (température/durée) pour modifier le réglage manuel. "MANUEL" défile dans la zone de texte.
3. Appuyer sur la touche Temp/Time (température/durée) pour entrer la durée de cuisson souhaitée. "Rég. temp ou Appuyer sur START" défile dans la zone de texte.
4. Appuyer sur START (mise en marche).

REMARQUE : Lorsqu'on utilise Steam Cook (cuisson à la vapeur), le four à micro-ondes contrôle la puissance. Lorsque l'eau bout, les aliments libèrent de la vapeur durant toute la cuisson.

"DÉTECTION" défile dans la zone texte jusqu'à ce que le four à micro-ondes détecte que l'eau est correctement chauffée.

"CUISSON À LA VAPEUR" défile dans la zone texte et reste affiché jusqu'à ce que la cuisson soit terminée.

"Cuisson terminée" défile dans la zone texte et reste affiché jusqu'à ce que le programme de cuisson à la vapeur soit terminé.

5. Appuyer sur CANCEL (annulation) ou ouvrir la porte du four à micro-ondes pour interrompre le programme Steam Cook (cuisson à la vapeur).

ENTRETIEN DU FOUR À MICRO-ONDES

Nettoyage général

IMPORTANT : Avant le nettoyage, s'assurer que toutes les commandes sont désactivées et que le four est froid. Toujours suivre les instructions sur les étiquettes des produits de nettoyage.

Du savon, de l'eau et un chiffon doux ou une éponge sont recommandés à moins d'indication contraire.

PORTE ET EXTÉRIEUR DU FOUR À MICRO-ONDES

La zone de contact de la porte et du cadre du four quand la porte est fermée doit être maintenue propre.

Méthode de nettoyage :

- Savons et détergents doux, non abrasifs :
Rincer à l'eau propre et sécher avec un chiffon doux sans charpie.
- Nettoyant à vitre et essuie-tout ou tampon à récurer en plastique non abrasif :
Appliquer le nettoyant à vitre sur l'essuie-tout, pas directement sur la surface.

ACIER INOXYDABLE

REMARQUE : Afin d'éviter d'endommager les surfaces en acier inoxydable, ne pas utiliser de tampons à récurer savonneux, de nettoyants abrasifs, de crème à polir pour table de cuisson, de tampons en laine d'acier, de chiffons de lavage rugueux ou certains essuie-tout.

Frotter dans la direction du grain pour éviter les dommages.

Méthode de nettoyage :

- Nettoyant et poli pour acier inoxydable - Pièce n° 31462B (non comprise) :
Voir la section "Assistance ou service" pour placer une commande.
- Détergent liquide ou nettoyant tout-usage :
Rincer à l'eau propre et sécher avec un chiffon doux sans charpie.
- Vinaigre pour les taches d'eau dure

TABLEAU DE COMMANDE

Afin d'éviter d'endommager le tableau de commande, ne pas utiliser de nettoyants abrasifs, de tampons en laine d'acier, de chiffons de lavage rugueux ou certains essuie-tout.

Méthode de nettoyage :

- Nettoyant à vitre et chiffon doux ou éponge : Appliquer le nettoyant à vitre sur un chiffon doux ou une éponge, et non pas directement sur le tableau.
- Nettoyant tout-usage pour appareil ménager – Pièce n° 31662B (non comprise) :
Voir la section "Assistance ou service" pour placer une commande.

CAVITÉ DU FOUR À MICRO-ONDES

Afin d'éviter d'endommager la cavité du four à micro-ondes, ne pas utiliser de tampons à récurer savonneux, de nettoyants abrasifs, de tampons en laine d'acier, de chiffons de lavage rugueux ou certains essuie-tout.

Sur les modèles en acier inoxydable, frotter dans le sens du grain pour éviter d'endommager le fini.

La zone de contact de la porte et du cadre du four quand la porte est fermée doit être maintenue propre.

Méthode de nettoyage :

Saleté moyenne

- Savons et détergents doux, non abrasifs :
Rincer à l'eau propre et sécher avec un chiffon doux sans charpie.

Saleté intense

- Savons et détergents doux, non abrasifs :
Faire chauffer une tasse (250 mL) d'eau pendant 2 à 5 minutes dans le four. La vapeur amollira la saleté. Rincer à l'eau propre et sécher avec un chiffon doux sans charpie.

Odeurs

- Jus de citron ou vinaigre :
Faire chauffer une tasse (250 mL) d'eau avec une cuillère à soupe (15mL) de jus de citron ou de vinaigre pendant 2 à 5 minutes dans le four.

PLATEAU ROTATIF

Remettre le plateau rotatif en place immédiatement après le nettoyage. Ne pas faire fonctionner le four à micro-ondes sans que le plateau rotatif ne soit en place.

Méthode de nettoyage :

- Nettoyant doux et tampon à récurer
- Lave-vaisselle

DÉPANNAGE

Essayer les solutions suggérées ici d'abord afin d'éviter le coût d'une visite de service non nécessaire.

Rien ne fonctionne

- **Un fusible est-il grillé, ou un disjoncteur s'est-il ouvert?**
Remplacer le fusible du domicile ou réenclencher le disjoncteur. Si le problème persiste, appeler un électricien.
- **L'appareil est-il correctement raccordé?**
Voir les instructions d'installation.

L'affichage indique des messages

- **L'affichage indique-t-il "PF", "PF id=27" ou "PF id=30"?**
Une panne de courant est survenue. Effacer l'affichage. Pour plus de renseignements, consulter le Guide d'utilisation et d'entretien du four inférieur.
- **L'affichage montre-t-il une lettre suivie d'un chiffre?**
Effacer l'affichage. Pour plus de renseignements, consulter le Guide d'utilisation et d'entretien du four inférieur. Si le message réapparaît, faire un appel de service. Voir la section "Assistance ou service".

Le four à micro-ondes ne fonctionne pas

- **La porte est-elle fermée complètement?**
Bien fermer la porte.
- **La commande électronique du four est-elle réglée correctement?**
Consulter le Guide d'utilisation et d'entretien du four inférieur.
- **Sur certains modèles, le verrouillage des commandes est-il réglé?**
Consulter le Guide d'utilisation et d'entretien du four inférieur.
- **Sur les modèles à fours combinés, le four inférieur est-il en train d'effectuer un programme d'autonettoyage?**
Le four supérieur ne fonctionnera pas durant le programme d'autonettoyage du four inférieur.
- **Le magnétron fonctionne-t-il correctement?**
Chauffer 1 tasse (250 mL) d'eau froide pendant 2 minutes à la puissance de cuisson maximale. Si l'eau ne chauffe pas, faire un appel de service. Voir la section "Assistance ou service".

Le four à micro-ondes bourdonne

- Ceci est normal et se produit lorsque le transformateur dans le magnétron se met en marche.

La porte du four à micro-ondes semble gondolée

- Ceci est normal et n'affecte pas la performance.

Le plateau rotatif ne fonctionne pas

- **Le plateau rotatif est-il bien en place?**
S'assurer que le plateau rotatif est à l'endroit et repose bien sur son support.
- **Le support du plateau rotatif fonctionne-t-il correctement?**
Retirer le plateau rotatif. Retirer et réinstaller le support du plateau rotatif. Réinstaller le plateau rotatif. Placer 1 tasse (250 mL) d'eau, puis remettre le four à micro-ondes en marche. S'il ne fonctionne toujours pas, faire un appel de service. Voir la section "Assistance ou service". Ne pas faire fonctionner le four si le plateau rotatif et son support ne fonctionnent pas correctement.

Le plateau rotatif tourne dans les deux sens

- Ceci est normal et dépend de la rotation du moteur au début du programme.

L'afficheur indique le compte à rebours, mais ne fonctionne pas

- **La minuterie est-elle en cours d'utilisation?**
Consulter le Guide d'utilisation et d'entretien du four inférieur.

Les signaux sonores ne retentissent pas

- **Les signaux sonores sont-ils désactivés?**
Consulter le Guide d'utilisation et d'entretien du four inférieur.

Les durées de cuisson semblent trop longues

- **La puissance de cuisson est-elle bien réglée?**
Voir "Puissance de cuisson" dans la section "Utilisation du four à micro-ondes".
- **Chauffe-t-on de grosses quantités d'aliments?**
Les quantités plus grandes d'aliments nécessitent des durées de cuisson plus longues.
- **La tension d'alimentation est-elle inférieure à celle indiquée dans "Pièces et caractéristiques"?**
Faire vérifier le système électrique du domicile par un électricien qualifié.

ASSISTANCE OU SERVICE

Avant de faire un appel pour assistance ou service, consulter la section “Dépannage”. Ce guide peut vous faire économiser le coût d’une visite de service. Si vous avez encore besoin d’aide, suivre les instructions ci-dessous.

Lors d’un appel, veuillez connaître la date d’achat, le numéro de modèle et le numéro de série au complet de l’appareil. Ces renseignements nous aideront à mieux répondre à votre demande.

Si vous avez besoin de pièces de rechange

Si vous avez besoin de commander des pièces de rechange, nous vous recommandons d’employer uniquement des pièces de rechange FSP®. Les pièces de rechange FSP® conviendront et fonctionneront bien parce qu’elles sont fabriquées avec la même précision utilisée dans la fabrication de chaque nouvel appareil WHIRLPOOL®.

Pour obtenir des pièces de rechange FSP® dans votre région, nous contacter ou appeler le Centre de service désigné de Whirlpool le plus proche.

Aux États-Unis

Téléphoner au Centre pour l’eXpérience de la clientèle de Whirlpool sans frais d’interurbain au : **1-800-253-1301** ou consulter notre page Web **www.whirlpool.com**.

Nos consultants sont prêts à vous aider pour les questions suivantes :

- Caractéristiques et spécifications sur toute notre gamme d’appareils électroménagers.
- Renseignements d’installation.
- Procédés d’utilisation et d’entretien.
- Vente de pièces de rechange et d’accessoires.
- Assistance spécialisée aux consommateurs (langue espagnole, malentendants, malvoyants, etc.).
- Références aux marchands locaux, distributeurs de pièces de rechange et compagnies de service. Les techniciens de service désignés par Whirlpool sont formés pour effectuer les travaux de réparation sous garantie et le service après la garantie, partout aux États-Unis.

Pour localiser la compagnie de service désignée par Whirlpool dans votre région, vous pouvez aussi consulter les Pages jaunes de l’annuaire téléphonique.

Pour plus d’assistance

Si vous avez besoin de plus d’assistance, vous pouvez soumettre par écrit toute question ou préoccupation à Whirlpool Corporation à l’adresse suivante :

Whirlpool Brand Home Appliances
Customer eXperience Center
553 Benson Road
Benton Harbor, MI 49022-2692

Dans votre correspondance veuillez indiquer un numéro de téléphone où on peut vous joindre dans la journée.

Accessoires

Accessoires U.S.A.

Pour commander des accessoires, visiter notre site Web à l’adresse **www.whirlpool.com/cookingaccessories** et cliquer sur “Pièces et accessoires.”

Lèchefrite et grille en porcelaine

Commander la pièce numéro 4396923

Lèchefrite et grille de rôtissage de qualité supérieure

Commander la pièce numéro W10123240

www.maytag.com/broilerpan

Nettoyant pour acier inoxydable affresh™

(modèles en acier inoxydable)

Commander la pièce numéro W10355016

Nettoyant pour cuisine et appareils ménagers affresh™

Commander la pièce numéro W10355010

Panier vapeur pour four à micro-ondes

Commander la pièce numéro 8205262RB

Au Canada

Veuillez appeler sans frais le Centre pour l’eXpérience de la clientèle de Whirlpool Canada LP au : **1-800-807-6777** ou consulter notre page Web **www.whirlpool.ca**.

Nos consultants vous renseigneront sur les sujets suivants :

- Caractéristiques et spécifications sur toute notre gamme d’appareils électroménagers.
- Consignes d’utilisation et d’entretien.
- Ventes d’accessoires et de pièces de rechange.
- Références aux marchands locaux, aux distributeurs de pièces de rechange et aux compagnies de service. Les techniciens de service désignés par Whirlpool Canada LP sont formés pour remplir la garantie des produits et fournir un service après la garantie, partout au Canada.

Pour plus d’assistance

Si vous avez besoin de plus d’assistance, vous pouvez soumettre par écrit toute question ou préoccupation à Whirlpool Canada LP à l’adresse suivante :

Whirlpool Canada LP
Centre pour l’eXpérience de la clientèle
200 - 6750 Century Ave.
Mississauga, Ontario L5N 0B7

Veuillez inclure dans votre correspondance un numéro de téléphone où l’on peut vous joindre dans la journée.

GARANTIE DE GROS APPAREIL MÉNAGER WHIRLPOOL CORPORATION

GARANTIE LIMITÉE DE UN AN

Pendant un an à compter de la date d'achat, lorsque ce gros appareil ménager est installé, utilisé et entretenu conformément aux instructions jointes à ou fournies avec le produit, Whirlpool Corporation ou Whirlpool Canada LP (ci-après désignées "Whirlpool") décidera à sa seule discrétion de remplacer le produit ou de couvrir le coût des pièces spécifiées par l'usine et de la main-d'œuvre nécessaires pour corriger les vices de matériaux ou de fabrication qui existaient déjà lorsque ce gros appareil ménager a été acheté. S'il est remplacé, l'appareil sera couvert pour la période restant à courir de la garantie limitée d'un an du produit d'origine.

LE SEUL ET EXCLUSIF RECOURS DU CLIENT DANS LE CADRE DE LA PRÉSENTE GARANTIE LIMITÉE CONSISTE EN LA RÉPARATION PRÉVUE PAR LA PRÉSENTE. La réparation doit être effectuée par le personnel d'une compagnie de service désignée par Whirlpool. Cette garantie limitée est valide uniquement aux États-Unis ou au Canada et s'applique exclusivement lorsque le gros appareil ménager est utilisé dans le pays où il a été acheté. À l'extérieur des 50 États des États-Unis et du Canada, cette garantie limitée ne s'applique pas. La présente garantie limitée est valable à compter de la date d'achat initial par le consommateur. Une preuve de la date d'achat initial est exigée pour obtenir un dépannage dans le cadre de la présente garantie limitée.

ÉLÉMENTS EXCLUS DE LA GARANTIE

La présente garantie limitée ne couvre pas :

1. Les visites de service pour rectifier l'installation du gros appareil ménager, montrer à l'utilisateur comment utiliser le gros appareil ménager, remplacer ou réparer des fusibles du domicile ou rectifier le câblage ou la plomberie du domicile.
2. Les interventions de dépannage pour réparer ou remplacer les ampoules électriques, les filtres à air ou les filtres à eau de l'appareil. Les pièces consommables ne sont pas couvertes par la garantie.
3. Les réparations lorsque le gros appareil ménager est utilisé à des fins autres que l'usage domestique unifamilial normal ou lorsque les instructions d'installation et/ou les instructions de l'opérateur ou de l'utilisateur fournies ne sont pas respectées.
4. Les dommages résultant des situations suivantes : accident, modification, usage impropre ou abusif, incendie, inondation, actes de Dieu, installation fautive ou installation non conforme aux codes d'électricité ou de plomberie ou l'utilisation de pièces consommables ou de produits de nettoyage non approuvés par Whirlpool.
5. Les défauts d'apparence, notamment les éraflures, traces de choc, fissures ou tout autre dommage subi par le fini du gros appareil ménager, à moins que ces dommages ne résultent de vices de matériaux ou de fabrication et ne soient signalés à Whirlpool dans les 30 jours suivant la date d'achat.
6. Toute perte d'aliments due à une défaillance du réfrigérateur ou du congélateur.
7. Les frais liés au retrait du gros appareil ménager de votre domicile pour toute réparation. Ce gros appareil ménager est conçu pour être réparé à domicile et seule une intervention à domicile est couverte par la présente garantie.
8. Les réparations aux pièces ou systèmes résultant d'une modification non autorisée faite à l'appareil.
9. Les frais de déplacement et de transport pour le service du produit si votre gros appareil est situé dans une région éloignée où un fournisseur de services d'entretien ou de réparation Whirlpool autorisé n'est pas disponible.
10. L'enlèvement et la réinstallation du gros appareil ménager si celui-ci est installé dans un endroit inaccessible ou n'est pas installé conformément aux instructions d'installation fournies.
11. Les gros appareils dont les numéros de série et de modèle originaux ont été enlevés, modifiés ou ne peuvent pas être facilement identifiés. Cette garantie est caduque si le numéro de série fourni par l'usine a été modifié ou retiré du gros appareil.
12. Le retrait ou la réinstallation de garnitures, panneaux décoratifs, plancher, meubles, îlots de cuisine, plans de travail, panneaux de gypse ou autres dispositifs préinstallés qui entravent le dépannage, le retrait ou le remplacement du produit.

Le coût d'une réparation ou d'un remplacement dans le cadre de ces circonstances exclues est à la charge du client.

CLAUSE D'EXONÉRATION DE RESPONSABILITÉ AU TITRE DES GARANTIES IMPLICITES

LES GARANTIES IMPLICITES, Y COMPRIS LES GARANTIES APPLICABLES DE QUALITÉ MARCHANDE OU D'APTITUDE À UN USAGE PARTICULIER, SONT LIMITÉES À UN AN OU À LA PLUS COURTE PÉRIODE AUTORISÉE PAR LA LOI. Certains États et provinces ne permettent pas de limitation sur la durée des garanties implicites de qualité marchande ou d'aptitude à un usage particulier, de sorte que la limitation ci-dessus peut ne pas être applicable dans votre cas. Cette garantie vous confère des droits juridiques spécifiques et vous pouvez également jouir d'autres droits qui peuvent varier d'une juridiction à l'autre.

EXONÉRATION DE RESPONSABILITÉ DANS LES DOMAINES NON COUVERTS PAR LA GARANTIE

Whirlpool décline toute responsabilité au titre de la qualité ou de la durabilité de l'appareil, ou en cas de dépannage ou de réparation nécessaire sur ce gros appareil ménager autre que les responsabilités énoncées dans la présente garantie. Si vous souhaitez une garantie plus étendue ou plus complète que la garantie limitée fournie avec ce gros appareil ménager, adressez-vous à Whirlpool ou à votre détaillant pour obtenir les modalités d'achat d'une garantie étendue.

LIMITATION DES RECOURS; EXCLUSION DES DOMMAGES FORTUITS OU INDIRECTS

LE SEUL ET EXCLUSIF RECOURS DU CLIENT DANS LE CADRE DE LA PRÉSENTE GARANTIE LIMITÉE CONSISTE EN LA RÉPARATION PRÉVUE PAR LA PRÉSENTE. WHIRLPOOL N'ASSUME AUCUNE RESPONSABILITÉ POUR LES DOMMAGES FORTUITS OU INDIRECTS. Certains États et certaines provinces ne permettent pas l'exclusion ou la limitation des dommages fortuits ou indirects de sorte que ces limitations et exclusions peuvent ne pas être applicables dans votre cas. Cette garantie vous confère des droits juridiques spécifiques et vous pouvez également jouir d'autres droits qui peuvent varier d'une juridiction à l'autre.

Si vous résidez à l'extérieur des 50 États des États-Unis et du Canada, contactez votre marchand Whirlpool autorisé pour déterminer si une autre garantie s'applique.

Pour assistance ou dépannage, voir d'abord la section "Dépannage" du Guide d'utilisation et d'entretien. Après avoir consulté la section "Dépannage", on pourra trouver de l'aide supplémentaire à la section "Assistance ou service" ou en appelant Whirlpool. Aux États-Unis, composer le **1-800-253-1301**. Au Canada, composer le **1-800-807-6777**. 6/13

Conservez ce manuel et votre reçu de vente ensemble pour référence ultérieure. Pour le service sous garantie, vous devez présenter un document prouvant la date d'achat ou d'installation.

Inscrivez les renseignements suivants au sujet de votre gros appareil ménager pour mieux vous aider à obtenir assistance ou service en cas de besoin. Vous devrez connaître le numéro de modèle et le numéro de série au complet. Vous trouverez ces renseignements sur la plaque signalétique située sur le produit.

Nom du marchand _____

Adresse _____

Numéro de téléphone _____

Numéro de modèle _____

Numéro de série _____

Date d'achat _____

