

PRECAUTIONS TO AVOID POSSIBLE EXPOSURE TO EXCESSIVE MICROWAVE ENERGY

- (a) Do not attempt to operate this oven with the door open since open-door operation can result in harmful exposure to microwave energy. It is important not to defeat or tamper with the safety interlocks.
- (b) Do not place any object between the oven front face and the door or allow soil or cleaner residue to accumulate on sealing surfaces.
- (c) Do not operate the oven if it is damaged. It is particularly important that the oven door close properly and that there is no damage to the:
 - (1) Door (bent),
 - (2) Hinges and latches (broken or loosened),
 - (3) Door seals and sealing surfaces.
- (d) The oven should not be adjusted or repaired by anyone except properly qualified service personnel.

INSTALLATION REQUIREMENTS

Tools and Parts

Gather the required tools and parts before starting installation.

Tools needed

- Phillips screwdriver

Parts needed

- A UL listed or CSA approved conduit connector
- UL listed wire nuts

Parts supplied

- 2 screws (single oven) or 4 screws (double oven)

Check local codes. Check existing electrical supply. See "Electrical Requirements."

All electrical connections should be made by a licensed, qualified electrical installer.

Location Requirements

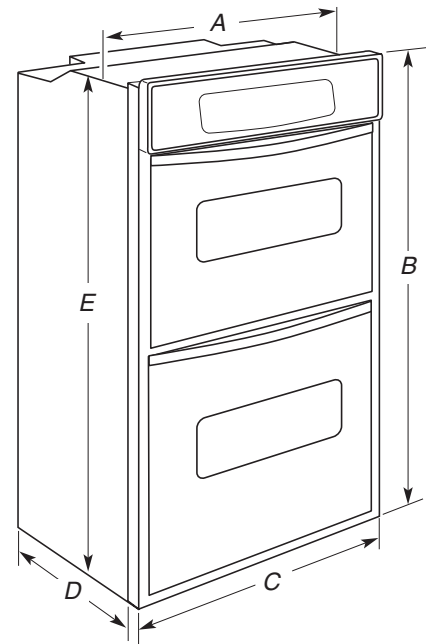
Make sure you have everything needed for correct installation. It is the responsibility of the installer to comply with the installation clearances specified in these instructions.

IMPORTANT: Observe all governing codes and ordinances. Cabinet opening dimensions that are shown must be used. Given dimensions provide minimum clearance with oven.

- Recessed installation area must provide complete enclosure around the recessed portion of the oven.
- Grounded electrical supply is required. See "Electrical Requirements" section.
- Electrical supply junction box should be located 3" (7.6 cm) maximum below the support surface when the oven is installed in a wall cabinet. Drill a 1" (2.5 cm) minimum diameter hole in the right rear or left rear corner of the support surface to pass the appliance cable through to the junction box.
- Oven support surface must be solid, level and flush with bottom of cabinet cutout. Floor must be able to support a total weight (microwave and built-in oven) of 238 lbs (108 kg).

Product Dimensions

27" (68.6 cm) and 30" (76.2 cm) Ovens



27" (68.6 cm) models

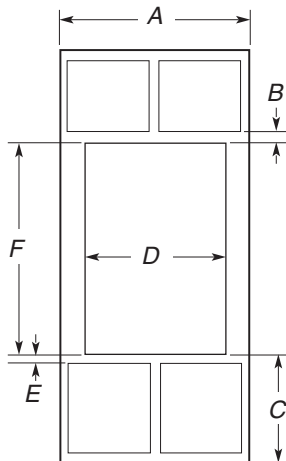
- A. 25 ³/₁₆" (64.5 cm) recessed width
- B. 42 ⁷/₁₆" (107.8 cm) overall height
- C. 26 ³/₄" (67.9 cm) overall width
- D. 23" (58.4 cm) max. recessed depth
- E. 41" (104.1 cm) recessed height

30" (76.2 cm) models

- A. 28 ³/₁₆" (71.2 cm) recessed width
- B. 42 ⁷/₁₆" (107.8 cm) overall height
- C. 29 ³/₄" (75.6 cm) overall width
- D. 23" (58.4 cm) max. recessed depth
- E. 41" (104.1 cm) recessed height

Installation Clearances

27" (68.6 cm) and 30" (76.2 cm) Ovens



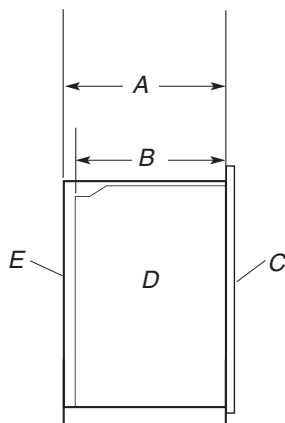
27" (68.6 cm) models

- A. 27" (68.6 cm) min. cabinet width
- B. 1" (2.5 cm) top of cutout to bottom of upper cabinet door
- C. 19 1/4" (48.9 cm) bottom of cutout to floor
- D. 25 1/2" (64.8 cm) cutout width
- E. 1 1/2" (3.8 cm) min. bottom of cutout to top of cabinet door
- F. 41 1/4" (104.8 cm) cutout height

30" (76.2 cm) models

- A. 30" (76.2 cm) min. cabinet width
- B. 1" (2.5 cm) top of cutout to bottom of upper cabinet door
- C. 19 1/4" (48.9 cm) bottom of cutout to floor
- D. 28 1/2" (72.4 cm) cutout width
- E. 1 1/2" (3.8 cm) min. bottom of cutout to top of cabinet door
- F. 41 1/4" (104.8 cm) cutout height

Cabinet Side View



- A. 23 1/4" (59.1 cm) min. cutout depth
- B. 23" (58.4 cm) recessed oven depth
- C. Oven front
- D. Recessed oven
- E. Cabinet

Cabinet filler kits are available from your dealer. Use matching color kit if oven is smaller than your cabinet opening.

27" (68.6 cm) oven filler height is 7¹⁵/₁₆" (19.8 cm)
 Black - 4378950
 White - 4378951
 Almond - 4378952

30" (76.2 cm) oven filler height is 4¹³/₁₆" (12.2 cm)
 Black - 4378944
 White - 4378945
 Almond - 4378946

Electrical Requirements

If codes permit and a separate ground wire is used, it is recommended that a qualified electrical installer determine that the ground path and wire gauge are in accordance with local codes.

Do not ground to a gas pipe.

Check with a qualified electrical installer if you are not sure the oven is properly grounded.

Do not have a fuse in the neutral or ground circuit.

This oven must be connected to a grounded metal, permanent wiring system.

Be sure that the electrical connection and wire size are adequate and in conformance with the National Electrical Code, ANSI/NFPA 70-latest edition or CSA Standards C22.1-94, Canadian Electrical Code, Part 1 and C22.2 No. O-M91-latest edition, and all local codes and ordinances.

A copy of the above code standards can be obtained from:

National Fire Protection Association
 One Batterymarch Park
 Quincy, MA 02269

CSA International
 8501 East Pleasant Valley Road
 Cleveland, OH 44131-5575

Electrical Connection

To properly install your oven, you must determine the type of electrical connection you will be using and follow the instructions provided for it here.

- Oven must be connected to the proper electrical voltage and frequency as specified on the model/serial number rating plate. (The model/serial number rating plate is located on the oven door or on the oven frame.)
- Models rated from 7.3 to 9.6 kW at 240 volts (5.5 to 7.2 kW at 208 volts) require a separate 40-amp circuit. Models rated at 7.2 kW and below at 240 volts (5.4 kW and below at 208 volts) require a separate 30-amp circuit.
- A time-delay fuse or circuit breaker is recommended.
- Connect directly to the fused disconnect (or circuit breaker box) through flexible, armored or nonmetallic sheathed, copper cable (with grounding wire). See "Make Electrical Connection" section.
- Flexible armored cable from appliance should be connected directly to the junction box.
- Do not cut the conduit. Use the length of conduit provided.
- A UL listed or CSA approved conduit connector must be provided.
- If the house has aluminum wiring, connect the aluminum wiring to the copper wire by using special connectors designed and UL listed for joining copper to aluminum. Follow the electrical connector manufacturer's recommended procedure. Aluminum/copper connection must conform with local codes and industry accepted wiring practices.

INSTALLATION INSTRUCTIONS

Prepare Oven for Installation

1. Decide on the final location for the oven. Locate existing wiring to prevent drilling into or severing wiring during installation.

⚠ WARNING

Excessive Weight Hazard

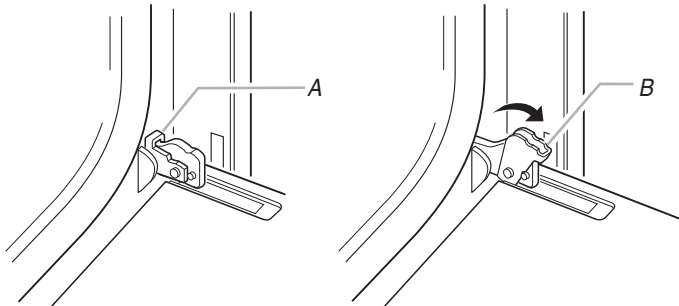
**Use two or more people to move and install oven.
Failure to do so can result in back or other injury.**

2. To prevent floor damage, set the oven onto cardboard prior to installation. Do not use handle or any portion of the front frame or trim for lifting.
3. Move oven close to its final location.
4. Remove the shipping materials and tape from the oven.
5. Remove the hardware package from inside the literature bag.
6. Remove and set aside racks and other parts from inside the oven.

Remove Oven Trim

IMPORTANT: Use both hands to remove oven doors.

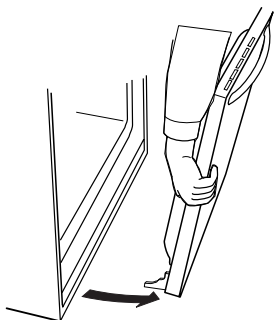
1. Open the oven door.
2. Locate the oven door latches in both corners of the oven door, and rotate the latches forward to the unlocked position.



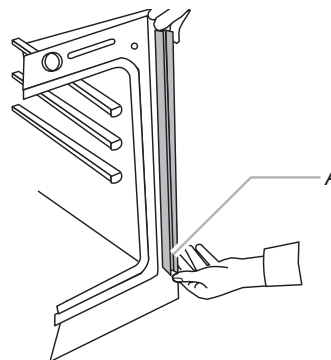
A. Oven door latch in locked position

B. Oven door latch in unlocked position

3. Grasp the edges of the oven door with both hands and close the oven door until it will no longer close. Lift and pull oven door toward you and remove. Set the oven door aside on a protective surface.

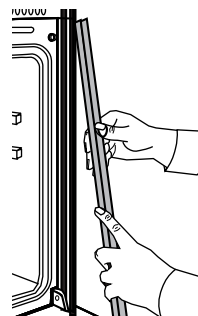


4. Remove bottom screw on each side of the oven trim.



A. Remove trim screw and pull out.

5. Grasp the bottom end of trim and pull away from oven.
6. Slide top end of trim downward to remove trim from oven. Set trim aside.



Make Electrical Connection

⚠ WARNING



Electrical Shock Hazard

Disconnect power before servicing.

Use 8 gauge solid copper wire.

Electrically ground oven.

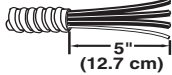
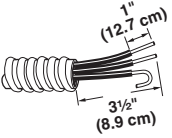
Failure to follow these instructions can result in death, fire, or electrical shock.

This oven is manufactured with a neutral (white) power supply wire and a cabinet-connected bare ground wire crimped together.

1. Disconnect power.
2. Feed the flexible cable conduit from the oven through the opening in the cabinet.
3. Remove junction box cover if it is present.
4. Connect the flexible cable conduit from the oven to the junction box using a UL listed or CSA approved conduit connector.
5. Tighten screws on conduit connector.

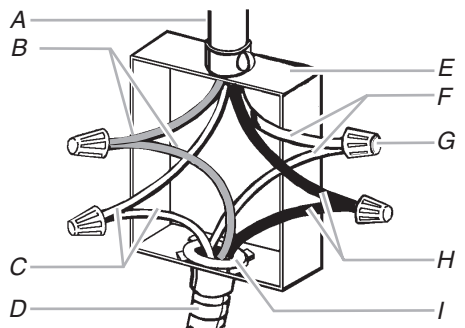
6. Complete installation following instructions for your type of electrical connection:
4-wire (recommended)
3-wire (if 4-wire is not available)

Electrical Connection Options

If your home has:	And you will be connecting to:	Go to section:
4-wire direct 	A fused disconnect or circuit breaker box	4-wire Cable from Power Supply
3-wire direct 	A fused disconnect or circuit breaker box	3-wire Cable from Power Supply

4-Wire Cable from Power Supply

IMPORTANT: Use the 4-wire cable from power supply where local codes do not permit connecting the frame-ground conductor to the neutral (white) junction box wire or when connecting to a 4-wire electrical system.

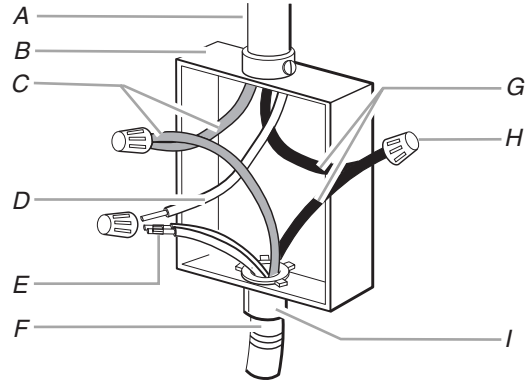


- A. Cable from power supply
- B. Red wires
- C. Green (or bare) ground wires
- D. 4-wire cable from oven
- E. Junction box
- F. White wires
- G. UL listed wire nuts
- H. Black wires
- I. UL listed or CSA approved conduit connector

1. Connect the 2 black wires together using a UL listed wire nut.
2. Connect the 2 red wires together using a UL listed wire nut.
3. Separate the factory crimped green (or bare) and white oven cable wires.
4. Connect the 2 white wires together using a UL listed wire nut.
5. Connect the green (or bare) ground wire from the oven cable to the green (or bare) ground wire (in the junction box) using a UL listed wire nut.
6. Replace junction box cover.

3-Wire Cable from Power Supply

IMPORTANT: Use the 3-wire cable from power supply where local codes permit connecting the frame-ground conductor to the neutral (white) junction box wire:



- A. Cable from power supply
- B. Junction box
- C. Red wires
- D. White wire (from power supply)
- E. White and green (or bare) oven ground wires - factory crimped
- F. 4-wire cable from oven
- G. Black wires
- H. UL listed wire nuts
- I. UL listed or CSA approved conduit connector

1. Connect the 2 black wires together using a UL listed wire nut.
2. Connect the 2 red wires together using a UL listed wire nut.
3. Connect the factory crimped white and green (or bare) ground wires of the oven cable to the white (neutral) wire in the junction box using a UL listed wire nut.
4. Install junction box cover.
5. Reconnect power.

Install Oven

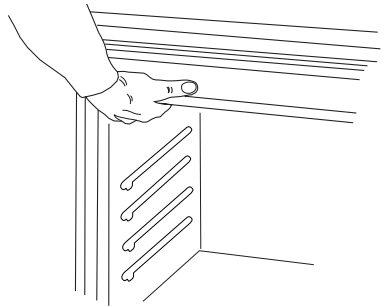
⚠ WARNING

Excessive Weight Hazard

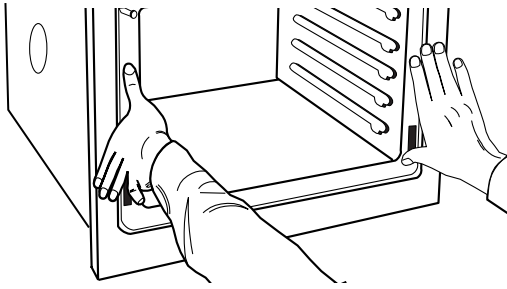
Use two or more people to move and install oven.

Failure to do so can result in back or other injury.

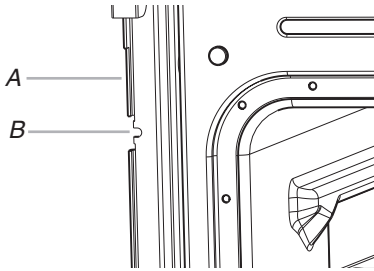
1. Lift oven into cabinet cutout using the oven opening as an area to grip.
NOTE: Push against seal area of oven front frame when pushing oven into cabinet. Do not push against outside edges.



2. Push against seal area of front frame to push oven completely into cabinet and center oven into cabinet cutout.

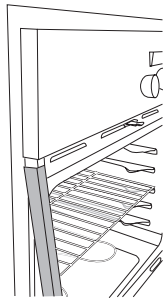


3. Securely fasten oven to cabinet using the screws (2 for single oven, 4 for double oven) provided. Insert the screws through holes in mounting rails. Do not overtighten screws.

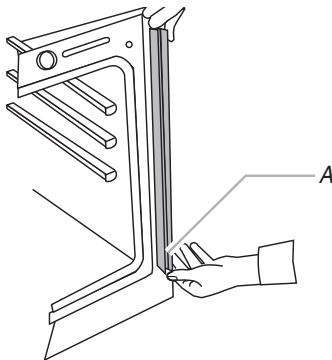


A. Mounting rail
B. Insert screw

4. Slide top end of each trim upward onto oven side rails.



5. Push each trim into place at bottom of trim.



A. Push trim into place and replace screw.

6. Use screws to attach each trim to oven.
7. Replace oven racks.
8. Replace oven door by inserting ends of hinges into hinge slots in the oven frame.

9. Push hinges in as far as they will go and open the oven door. You should feel the oven door drop into place.
10. Rotate both hinge latches back to the locked position.
11. Close and open the oven door to check that the door closes and opens completely. If the oven door does not close or open completely, repeat the oven door removal process and reinstall. See "Remove Oven Trim" section.
12. Repeat for lower oven door.
13. Reconnect power.

Complete Installation

1. Check that all parts are now installed. If there is an extra part, go back through the steps to see which step was skipped.
2. Check that you have all of your tools.
3. Dispose of/recycle all packaging materials.
4. For oven cleaning, read "Oven Care" in the lower oven Use and Care Guide.
5. Read "Oven Use" in the lower oven Use and Care Guide.

Check Operation of Lower Oven

1. Turn power on. "PF" should appear in the display.
2. Press BROIL. "BROIL" will appear in the display.
3. Press START. Make sure the oven door is closed and the "ON" light is showing in the display area.

If oven(s) does not operate, check the following:

- Household fuse is intact and tight; or circuit breaker has not tripped.
 - Electrical supply is connected.
 - See "Troubleshooting" section in the Use and Care Guide.
4. When oven has been on for 2 minutes, feel for heat.
If you do not feel heat or an "F" appears in the display, turn off the oven and contact a qualified technician.
 5. Press LOWER OFF/CANCEL.
 6. For the clock setting and other oven functions refer to the Use and Care Guide.

Check Operation of Microwave Oven

1. Fill a microwave-safe container with 1 cup of water and place container inside microwave oven. Close door firmly.
2. Set microwave oven cook time to "2:00" minutes.
3. Press START. The interior microwave oven light should be on and the remaining cooking time should be displayed.
When display reads "1:00" minute, open microwave oven door. The microwave should stop cooking. Close door firmly. The interior microwave oven light should turn off.
4. Press START. Microwave oven should begin cooking and the microwave oven interior light should be on.
Let microwave oven complete cooking time. A tone will sound 4 times at the end of the cooking time, and the microwave oven will shut off.
5. Open microwave oven door and slowly remove container. Water in container should be hot.

If you need Assistance or Service:

Please reference the "Assistance or Service" section of the Use and Care Guide or contact the dealer from whom you purchased your built-in and microwave ovens.

INSTALLATION INSTRUCTIONS

27" (68.6 CM) AND 30" (76.2 CM) ELECTRIC BUILT-IN MICROWAVE/OVEN COMBINATION

Table of Contents

BUILT-IN MICROWAVE/OVEN SAFETY	1
INSTALLATION REQUIREMENTS	2
Tools and Parts	2
Location Requirements	2
Electrical Requirements	3
INSTALLATION INSTRUCTIONS	4
Prepare Oven for Installation	4
Remove Oven Trim	4
Make Electrical Connection	4
Install Oven.....	5
Complete Installation	6

BUILT-IN MICROWAVE/OVEN COMBINATION SAFETY

Your safety and the safety of others are very important.

We have provided many important safety messages in this manual and on your appliance. Always read and obey all safety messages.



This is the safety alert symbol.

This symbol alerts you to potential hazards that can kill or hurt you and others.

All safety messages will follow the safety alert symbol and either the word "DANGER" or "WARNING."

These words mean:

⚠ DANGER

You can be killed or seriously injured if you don't immediately follow instructions.

⚠ WARNING

You can be killed or seriously injured if you don't follow instructions.

All safety messages will tell you what the potential hazard is, tell you how to reduce the chance of injury, and tell you what can happen if the instructions are not followed.

IMPORTANT:

Save for local electrical inspector's use.

Installer: Leave installation instructions with the homeowner.

Homeowner: Keep installation instructions for future reference.