
INSTALLATION INSTRUCTIONS 30" (76.0 CM) FREESTANDING ELECTRIC RANGES

INSTRUCTIONS D'INSTALLATION DES CUISINIÈRES ÉLECTRIQUES AUTOPORTANTES DE 30" (76,0 CM)

INSTRUCCIONES DE INSTALACIÓN COCINAS ELÉCTRICAS INDEPENDIENTES DE 30" (76,0 CM)

Table of Contents/Table des matières/Tabla de contenidos

RANGE SAFETY	2	SÉCURITÉ DE LA CUISINIÈRE	16	SEGURIDAD DE LA COCINA	30
INSTALLATION REQUIREMENTS	3	EXIGENCES D'INSTALLATION	17	REQUISITOS DE INSTALACIÓN	31
Tools and Parts.....	3	Outils et pièces.....	17	Herramientas y piezas.....	31
Location Requirements	3	Exigences d'emplacement.....	17	Requisitos de ubicación.....	31
Electrical Requirements- U.S.A. Only.....	5	Spécifications électriques – É.-U. seulement.....	19	Requisitos eléctricos, en EE. UU. únicamente.....	33
Electrical Requirements - Canada Only..	6	Spécifications électriques – Canada seulement	20	Requisitos eléctricos – Solo en Canadá.....	34
INSTALLATION INSTRUCTIONS	6	INSTRUCTIONS D'INSTALLATION	20	INSTRUCCIONES DE INSTALACIÓN	34
Unpack Range.....	6	Déballage de la cuisinière	20	Desembale la cocina.....	34
Install Anti-Tip Bracket.....	7	Installation de la bride antibasculement.....	21	Instalación del soporte antivuelco	35
Electrical Connection - U.S.A. Only.....	8	Raccordement électrique – É.-U. seulement.....	22	Conexión eléctrica, en EE. UU. únicamente.....	36
Verify Anti-Tip Bracket Is Installed and Engaged.....	12	Vérifier que la bride antibasculement est bien installée et engagée	26	Verifique que el soporte anti-vuelco está instalado y enganchado	40
Level Range.....	13	Réglage de l'aplomb de la cuisinière....	27	Nivelación de la cocina	41
Warming Drawer or Premium Storage Drawer	13	Tiroir-réchaud ou tiroir de remisage de qualité supérieure.....	27	Cajón de calentamiento o cajón de almacenamiento Premium	41
Storage Drawer	14	Tiroir de remisage.....	28	Cajón de almacenamiento	42
Oven Door	14	Porte du four	28	Puerta del horno.....	42
Complete Installation	14	Achever l'installation	28	Completar la instalación	42
Moving the Range.....	15	Déplacement de la cuisinière	29	Cómo mover la cocina.....	43

IMPORTANT:

Save for local electrical inspector's use.

IMPORTANT :

À conserver pour consultation par l'inspecteur local des installations électriques.

IMPORTANTE:

Guarde para tener a disposición del inspector de electricidad local.

RANGE SAFETY

Your safety and the safety of others are very important.

We have provided many important safety messages in this manual and on your appliance. Always read and obey all safety messages.



This is the safety alert symbol.

This symbol alerts you to potential hazards that can kill or hurt you and others.

All safety messages will follow the safety alert symbol and either the word "DANGER" or "WARNING." These words mean:

⚠ DANGER

You can be killed or seriously injured if you don't immediately follow instructions.

⚠ WARNING

You can be killed or seriously injured if you don't follow instructions.

All safety messages will tell you what the potential hazard is, tell you how to reduce the chance of injury, and tell you what can happen if the instructions are not followed.

⚠ WARNING

Tip Over Hazard

A child or adult can tip the range and be killed.

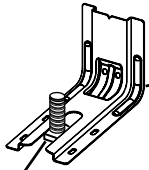
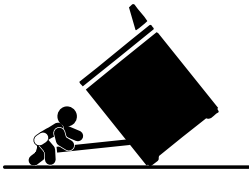
Install anti-tip bracket to floor or wall per installation instructions.

Slide range back so rear range foot is engaged in the slot of the anti-tip bracket.

Re-engage anti-tip bracket if range is moved.

Do not operate range without anti-tip bracket installed and engaged.

Failure to follow these instructions can result in death or serious burns to children and adults.



Anti-Tip Bracket

Range Foot

To verify the anti-tip bracket is installed and engaged:

- Slide range forward.
- Look for the anti-tip bracket securely attached to floor or wall.
- Slide range back so rear range foot is under anti-tip bracket.
- See installation instructions for details.

INSTALLATION REQUIREMENTS

Tools and Parts

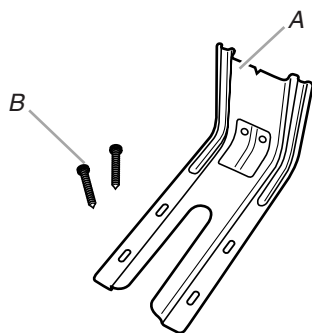
Gather the required tools and parts before starting installation. Read and follow the instructions provided with any tools listed here.

Tools needed

- Tape measure
- Flat-blade screwdriver
- Phillips screwdriver
- Level
- Hammer
- Hand or electric drill
- Wrench or pliers
- Marker or pencil
- Masking tape
- 1/4" (6.4 mm) drive ratchet
- 1/4" (6.4 mm) nut driver
- 3/8" (1 cm) and 5/16" (7.9 mm) nut driver
- 1/8" (3.2 mm) drill bit (for wood floors)

Parts Supplied

Check that all parts are included.



A. Anti-tip bracket
B. #12 x 1⁵/₈" (4.1 cm) screws (2)

- Anti-tip bracket must be securely mounted to floor or wall. Thickness of flooring may require longer screws to anchor bracket to floor.

Parts needed

If using a power supply cord kit:

- A UL listed power supply cord kit marked for use with ranges. The cord should be rated at 250 V minimum, 40 A or 50 A that is marked for use with nominal 1⁵/₈" (3.5 cm) diameter connection opening and must end in ring terminals or open-end spade terminals with upturned ends.
- A UL listed strain relief.

Check local codes. Check existing electrical supply. See "Electrical Requirements" section.

It is recommended that all electrical connections be made by a licensed, qualified electrical installer.

Location Requirements

IMPORTANT: Observe all governing codes and ordinances.

- It is the installer's responsibility to comply with installation clearances specified on the model/serial/rating plate. The model/serial/rating plate is located on the frame behind a top corner of the door or either side of the drawer.
- To eliminate the risk of burns or fire by reaching over heated surface units, cabinet storage space located above the surface units should be avoided. If cabinet storage is to be provided, the risk can be reduced by installing a range hood that projects horizontally a minimum of 5" (12.7 cm) beyond the bottom of the cabinets.
- Cabinet opening dimensions that are shown must be used. Given dimensions are minimum clearances.
- The anti-tip bracket must be installed. To install the anti-tip bracket shipped with the range, see "Install Anti-Tip Bracket" section.
- Grounded electrical supply is required. See "Electrical Requirements" section.

IMPORTANT: To avoid damage to your cabinets, check with your builder or cabinet supplier to make sure that the materials used will not discolor, delaminate or sustain other damage. This oven has been designed in accordance with the requirements of UL and CSA International and complies with the maximum allowable wood cabinet temperatures of 194°F (90°C).

Mobile Home - Additional Installation Requirements

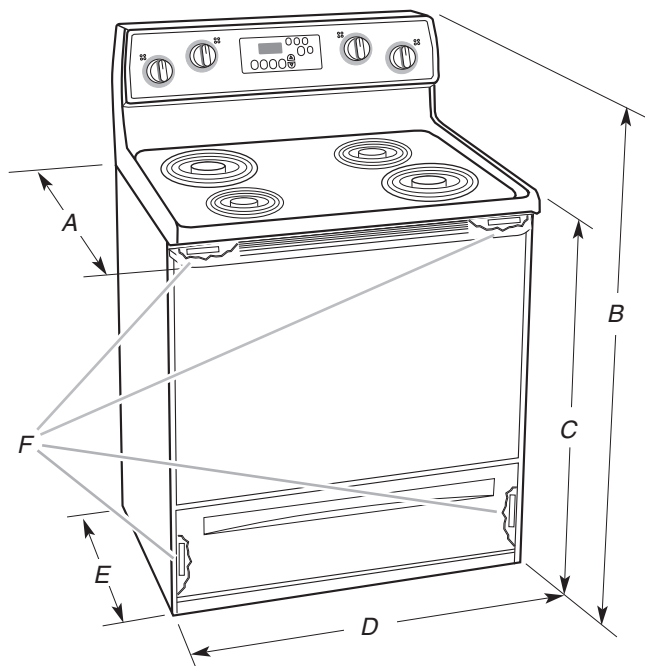
The installation of this range must conform to the Manufactured Home Construction and Safety Standard, Title 24 CFR, Part 3280 (formerly the Federal Standard for Mobile Home Construction and Safety, Title 24, HUD Part 280). When such standard is not applicable, use the Standard for Manufactured Home Installations, ANSI A225.1/NFPA 501A or with local codes.

In Canada, the installation of this range must conform with the current standards CAN/CSA-Z240-latest edition, or with local codes.

Mobile home installations require:

- When this range is installed in a mobile home, it must be secured according to the instructions in this document.
- Four-wire power supply cord or cable must be used in a mobile home installation. The appliance wiring will need to be revised. See "Electrical Connection - U.S.A. Only" section.

Product Dimensions



- A. 27³/₄" (70.5 cm) max. depth with handle
- B. 46⁷/₈" (119.1 cm) overall height (max.) with leveling legs screwed all the way in*
- C. 36" (91.4 cm) cooktop height (max.) with leveling legs screwed all the way in*
- D. 29⁷/₈" (75.9 cm) width
- E. 25⁵/₁₆" (64.3 cm) depth - back of range to front of cooktop**
- F. Model/serial/rating plate (located on the frame behind a top corner of the door or either side of the drawer)

IMPORTANT: Range must be level after installation. Follow the instructions in the "Level Range" section. Using the cooktop as a reference for leveling the range is not recommended.

*Range can be raised approximately 1" (2.5 cm) by adjusting the leveling legs.

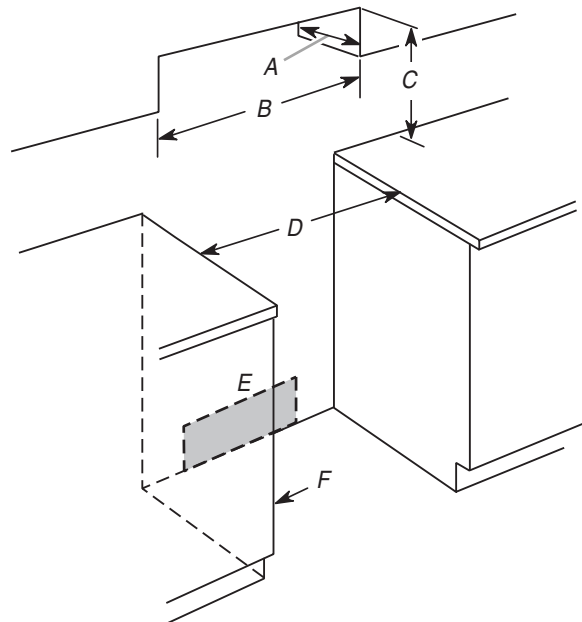
**Front of door and drawer may extend further forward depending on styling.

Cabinet Dimensions

Cabinet opening dimensions shown are for 25" (64.0 cm) countertop depth, 24" (61.0 cm) base cabinet depth and 36" (91.4 cm) countertop height.

IMPORTANT: If installing a range hood or microwave hood combination above the cooking surface, follow the range hood or microwave hood combination installation instructions for dimensional clearances above the cooktop surface.

A freestanding range may be installed next to combustible walls with zero clearance.



- A. 13" (33.0 cm) max. upper cabinet depth
- B. 30" (76.2 cm) min. opening width
- C. For minimum clearance to top of cooktop, see NOTE*
- D. 30" (76.2 cm) min. opening width
- E. Outlet - 8" (20.3 cm) to 22" (55.9 cm) from either cabinet, 7" (17.8 cm) max. from floor.
- F. Cabinet door or hinges should not extend into the cutout.

***NOTE:** 24" (61.0 cm) minimum when bottom of wood or metal cabinet is covered by not less than 1/4" (6.4 mm) flame retardant millboard covered with not less than No. 28 MSG sheet steel, 0.015" (0.4 mm) stainless steel, 0.024" (0.6 mm) aluminum or 0.020" (0.5 mm) copper.

30" (76.2 cm) minimum clearance between the top of the cooking platform and the bottom of an uncovered wood or metal cabinet.

Electrical Requirements

Electrical Requirements - U.S.A. Only

If codes permit and a separate ground wire is used, it is recommended that a qualified electrical installer determine that the ground path and wire gauge are in accordance with local codes.

Do not use an extension cord.

Be sure that the electrical connection and wire size are adequate and in conformance with the National Electrical Code, ANSI/NFPA 70-latest edition and all local codes and ordinances.

A copy of the above code standards can be obtained from:

National Fire Protection Association
1 Batterymarch Park
Quincy, MA 02169-7471

WARNING: Improper connection of the equipment-grounding conductor can result in a risk of electric shock. Check with a qualified electrician or service technician if you are in doubt as to whether the appliance is properly grounded. Do not modify the power supply cord plug. If it will not fit the outlet, have a proper outlet installed by a qualified electrician.

Electrical Connection

To properly install your range, you must determine the type of electrical connection you will be using and follow the instructions provided for it here.

- Range must be connected to the proper electrical voltage and frequency as specified on the model/serial rating plate. The model/serial rating plate is located on the frame behind a top corner of the door or either side of the drawer. Refer to the figures in "Product Dimensions" in the "Location Requirements" section.
- This range is manufactured with the neutral terminal connected to the cabinet. Use a 3-wire, UL listed, 40- or 50 A power supply cord (pigtail) (see the following Range Rating chart). If local codes do not permit ground through the neutral, use a 4-wire power supply cord rated at 250 V, 40 or 50 A and investigated for use with ranges.

Range Rating*		Specified Rating of Power Supply Cord Kit and Circuit Protection
120/240 V	120/208 V	Amps
8.8 - 16.5 KW	7.8 - 12.5 KW	40 or 50**
16.6 - 22.5 KW	12.6 - 18.5 KW	50

*The NEC calculated load is less than the total connected load listed on the model/serial rating plate.

**If connecting to a 50 A circuit, use a 50 A rated cord with kit. For 50 A rated cord kits, use kits that specify use with a nominal 1 3/8" (3.5 cm) diameter connection opening.

- A circuit breaker is recommended.
- The range can be connected directly to the circuit breaker box (or fused disconnect) through flexible or nonmetallic sheathed, copper or aluminum cable. See the "Electrical Connection - U.S.A. Only" section.
- Allow 2 to 3 ft (61.0 cm to 91.4 cm) of slack in the line so that the range can be moved if servicing is ever necessary.

- A UL listed conduit connector must be provided at each end of the power supply cable (at the range and at the junction box).
- Wire sizes and connections must conform with the rating of the range.
- The wiring diagram is located on the Tech Sheet.
- The Tech Sheet is located on the back of the range inside a clear plastic bag.

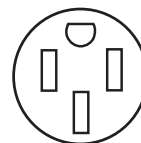
If connecting to a 4-wire system:

This range is manufactured with the ground connected to the neutral by a link. The ground must be revised so the green ground wire of the 4-wire power supply cord is connected to the cabinet. See "Electrical Connection - U.S.A. Only" section.

Grounding through the neutral conductor is prohibited for new branch-circuit installations (1996 NEC); mobile homes; and recreational vehicles, or an area where local codes prohibit grounding through the neutral conductor.

When a 4-wire receptacle of NEMA Type 14-50R is used, a matching UL listed, 4-wire, 250 V, 40 or 50 A, range power supply cord (pigtail) must be used. This cord contains 4 copper conductors with ring terminals or open-end spade terminals with upturned ends, terminating in a NEMA Type 14-50P plug on the supply end.

The fourth (grounding) conductor must be identified by a green or green/yellow cover and the neutral conductor by a white cover. Cord should be Type SRD or SRDT with a UL listed strain relief and be at least 4 ft (1.22 m) long.



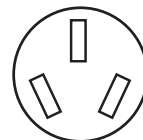
4-wire receptacle (14-50R)

The minimum conductor sized for the copper 4-wire power cord are:

- 40 A circuit
- 2 No.-8 conductors
- 1 No.-10 white neutral
- 1 No.-8 green grounding

If connecting to a 3-wire system:

Local codes may permit the use of a UL listed, 3-wire, 250 V, 40 or 50 A range power supply cord (pigtail). This cord contains 3 copper conductors with ring terminals or open-end spade terminals with upturned ends, terminating in a NEMA Type 10-50P plug on the supply end. Connectors on the appliance end must be provided at the point the power supply cord enters the appliance. This uses a 3-wire receptacle of NEMA Type 10-50R.



3-wire receptacle (10-50R)

⚠ WARNING



Electrical Shock Hazard

Electrically ground range.

Failure to do so can result in death, fire, or electrical shock.

If codes permit and a separate ground wire is used, it is recommended that a qualified electrical installer determine that the ground path is adequate and wire gauge are in accordance with local codes.

Be sure that the electrical connection and wire size are adequate and in conformance with CSA Standard C22.1, Canadian Electrical Code, Part 1 - latest edition, and all local codes and ordinances.

A copy of the above code standards can be obtained from:

Canadian Standards Association
178 Rexdale Blvd.
Toronto, ON M9W 1R3 CANADA

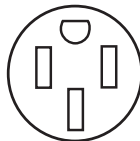
- Check with a qualified electrical installer if you are not sure the range is properly grounded.

Range Rating*		Specified Rating of Power Supply Cord Kit and Circuit Protection
120/240 V	120/208 V	Amps
8.8 - 16.5 KW	7.8 - 12.5 KW	40 or 50**
16.6 - 22.5 KW	12.6 - 18.5 KW	50

*The NEC calculated load is less than the total connected load listed on the model/serial/rating plate.

**If connecting to a 50 A circuit, use a 50 A rated cord with kit. For 50 A rated cord kits, use kits that specify use with a nominal 1³/₈" (3.5 cm) diameter connection opening.

- A time-delay fuse or circuit breaker is recommended.
- This range is equipped with a CSA International Certified Power Cord intended to be plugged into a standard 14-50R wall receptacle. Be sure the wall receptacle is within reach of range's final location.



- Do not use an extension cord.

INSTALLATION INSTRUCTIONS

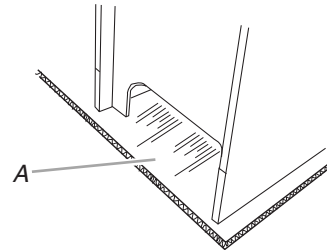
Unpack Range

⚠ WARNING

Excessive Weight Hazard

**Use two or more people to move and install range.
Failure to do so can result in back or other injury.**

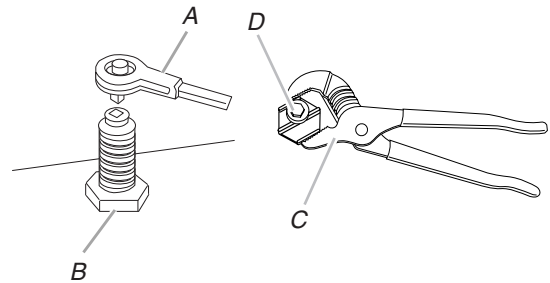
1. Remove shipping materials, tape and film from range.
2. Remove oven racks and parts package from inside oven.
3. Do not remove the shipping base at this time.



A. Shipping base

4. On Ranges Equipped with a Storage Drawer:

Remove the storage drawer. See the "Storage Drawer" section. Use a 1/4" (6.4 mm) drive ratchet to lower the rear leveling legs one-half turn. Use a wrench or pliers to lower front leveling legs one-half turn.

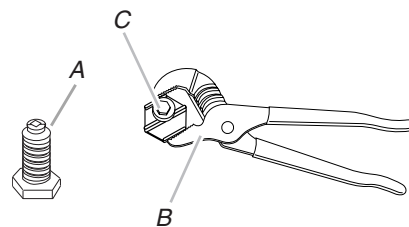


A. 1/4" (6.4 mm) drive ratchet
B. Rear leveling leg

C. Wrench or pliers
D. Front leveling leg

On Ranges Equipped with a Warming Drawer or Premium Storage Drawer:

On ranges equipped with a warming drawer or premium storage drawer, the rear legs cannot be accessed by removing the warming drawer or premium storage drawer. It will be necessary to adjust the rear legs from outside the range. Use wrench or pliers to lower the front and rear leveling legs one half turn.



A. Rear leveling leg
B. Wrench or pliers
C. Front leveling leg

Install Anti-Tip Bracket

⚠ WARNING



Tip Over Hazard

A child or adult can tip the range and be killed.

Install anti-tip bracket to floor or wall per installation instructions.

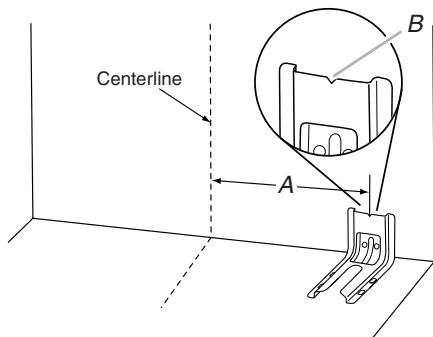
Slide range back so rear range foot is engaged in the slot of the anti-tip bracket.

Re-engage anti-tip bracket if range is moved.

Do not operate range without anti-tip bracket installed and engaged.

Failure to follow these instructions can result in death or serious burns to children and adults.

1. Remove the anti-tip bracket from where it is taped inside the storage drawer or warming drawer.
2. Determine which mounting method to use: floor or wall.
If you have a stone or masonry floor, you can use the wall mounting method. If you are installing the range in a mobile home, you must secure the range to the floor.
3. Determine and mark centerline of the cutout space. The mounting can be installed on either the left-side or right-side of the cutout. Position mounting bracket against the wall in the cutout so that the V-notch of the bracket is $12^{9/16}$ " (31.9 cm) from centerline as shown.

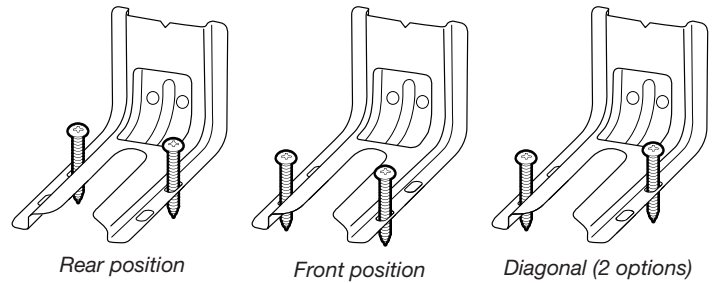


A. $12^{9/16}$ " (31.9 cm)

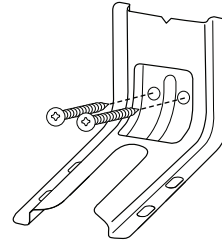
B. Bracket V-notch

4. Drill two $1/8$ " (3 mm) holes that correspond to the bracket holes of the determined mounting method. See the following illustrations.

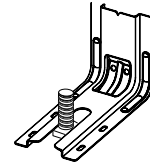
Floor Mounting



Wall Mounting



5. Using the Phillips screwdriver, mount anti-tip bracket to the wall or floor with the two #12 x $1\frac{5}{8}$ " (4.1 cm) screws provided.
6. Move range close enough to opening to allow for final electrical connections. Remove shipping base, cardboard or hardboard from under range.
7. Move range into its final location, making sure rear leveling leg slides into anti-tip bracket.



8. Move range forward onto shipping base, cardboard or hardboard to continue installing the range using the following installation instructions.

Electrical Connection - U.S.A. Only

Power Supply Cord

⚠ WARNING



Electrical Shock Hazard

- Disconnect power before servicing.
- Use a new 40 amp power supply cord.
- Plug into a grounded outlet.
- Failure to follow these instructions can result in death, fire, or electrical shock.

Direct Wire

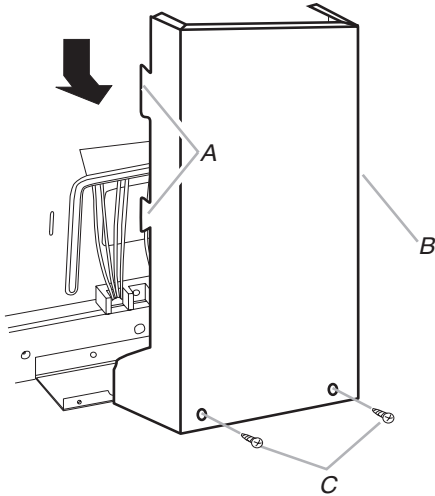
⚠ WARNING



Electrical Shock Hazard

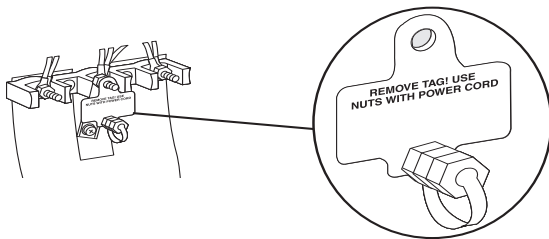
- Disconnect power before servicing.
- Use 8 gauge copper or 6 gauge aluminum wire.
- Electrically ground range.
- Failure to follow these instructions can result in death, fire, or electrical shock.

1. Disconnect power.
2. Remove the terminal block cover screws located on the back of the range. Pull cover down and toward you to remove cover from range.



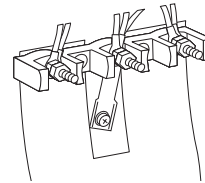
- A. Two mounting tabs each side
- B. Terminal block cover
- C. Hex-head screws

3. Depending on your model, remove the plastic tag holding three 10-32 hex nuts from the middle post of the terminal block.



OR

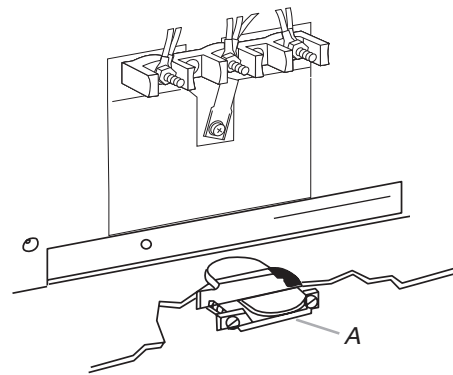
- Remove the top 10-32 hex nut from each of the 3 terminal blocks and set aside.



4. Add strain relief.

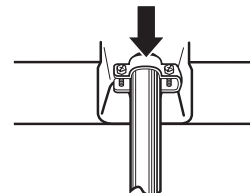
Style 1: Power supply cord strain relief

- Remove the knockout for the power supply cord.
- Assemble a UL Listed strain relief in the opening.



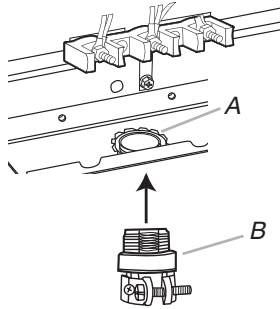
A. UL Listed strain relief

- Tighten strain relief screw against the power supply cord.



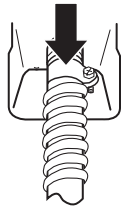
Style 2: Direct wire strain relief

- Remove the knockout as needed for the flexible conduit connection.
- Assemble a UL listed conduit connector in the opening.



A. Removable retaining nut
B. Conduit

- Tighten strain relief screw against the flexible conduit.

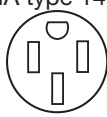
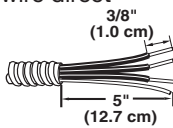
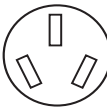
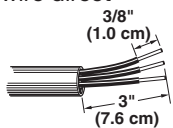


- Complete installation following instructions for your type of electrical connection:

4-wire (recommended)

3-wire (if 4-wire is not available)

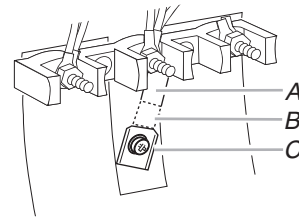
Electrical Connection Options

If your home has:	And you will be connecting to:	Go to Section:
4-wire receptacle (NEMA type 14-50R) 	A UL Listed, 250 V minimum, 40 A, range power supply cord	4-wire connection: Power supply cord
4-wire direct 	A circuit breaker box or fused disconnect	4-wire connection: Direct wire
3-wire receptacle (NEMA type 10-50R) 	A UL Listed, 250 V minimum, 40 A, range power supply cord	3-wire connection: Power supply cord
3-wire direct 	A circuit breaker box or fused disconnect	3-wire connection: Direct wire

4-wire connection: Power Supply Cord

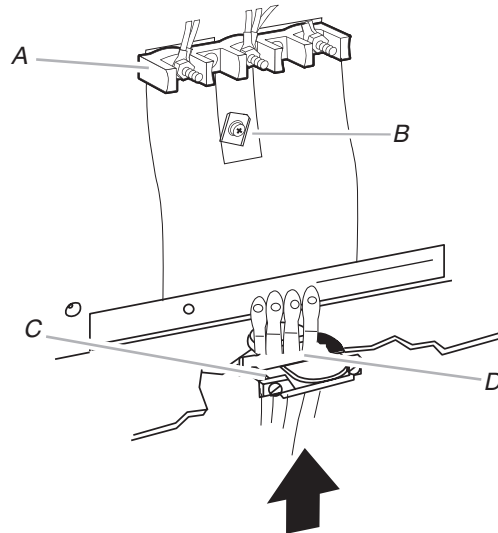
Use this method for:

- New branch-circuit installations (1996 NEC)
 - Mobile homes
 - Recreational vehicles
 - In an area where local codes prohibit grounding through the neutral
- Part of metal ground strap must be cut out and removed.



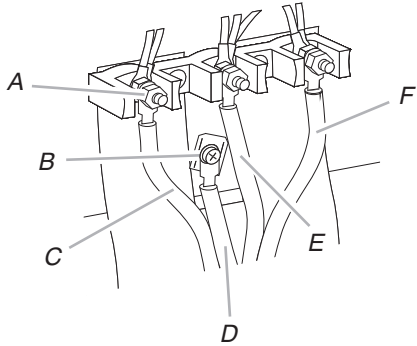
A. Metal ground strap
B. Discard
C. Ground-link screw

- Use a Phillips screwdriver to remove the ground-link screw from the back of the range. Save the ground-link screw and the end of the ground link under the screw.
- Feed the power supply cord through the strain relief on the cord/conduit plate on bottom of range. Allow enough slack to easily attach the wiring to the terminal block.



A. Terminal block
B. Ground-link screw
C. UL listed strain relief
D. Power supply cord wires

- Use a Phillips screwdriver to connect the green ground wire from the power supply cord to the range with the ground-link screw and ground-link section. The ground wire must be attached first.
- Use 3/8" (1.0 cm) nut driver to connect the neutral (white) wire to the center terminal block post with one of the 10-32 hex nuts.



- | | |
|----------------------|--------------------------|
| A. 10-32 hex nut | D. Green ground wire |
| B. Ground-link screw | E. Neutral (center) wire |
| C. Line 2 (red) | F. Line 1 (black) |

- Connect line 2 (red) and line 1 (black) wires to the outer terminal block posts with 10-32 hex nuts.
- Securely tighten hex nuts.

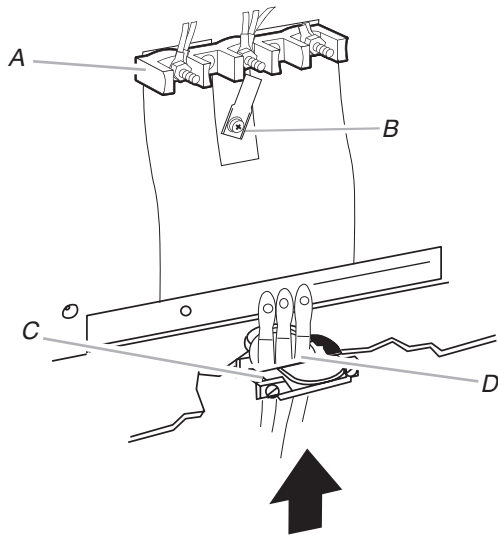
NOTE: For power supply cord replacement, use only a power cord rated at 250 V minimum, 40 A or 50 A that is marked for use with nominal 1 3/8" (3.5 cm) diameter connection opening, with ring terminals and marked for use with ranges.

- Tighten strain relief screws.
- Replace terminal block access cover.

3-wire connection: Power Supply Cord

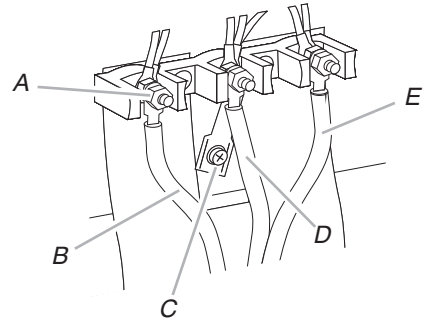
Use this method only if local codes permit connecting chassis ground conductor to neutral wire of power supply cord.

- Feed the power supply cord through the strain relief on the cord/conduit plate on bottom of range. Allow enough slack to easily attach the wiring to the terminal block.



- | |
|--|
| A. Terminal block |
| B. Ground-link screw |
| C. UL listed strain relief |
| D. Power supply cord wires - large opening |

- Use 3/8" (1.0 cm) nut driver to connect the neutral (white) wire to the center terminal block post with one of the 10-32 hex nuts.



- | | |
|----------------------|-------------------------|
| A. 10-32 hex nut | D. Neutral (white) wire |
| B. Line 2 (red) | E. Line 1 (black) |
| C. Ground-link screw | |

- Connect line 2 (red) and line 1 (black) wires to the outer terminal block posts with 10-32 hex nuts.
- Securely tighten hex nuts.

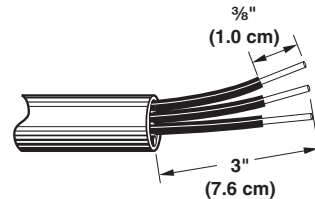
NOTE: For power supply cord replacement, use only a power cord rated at 250 V minimum, 40 A or 50 A that is marked for use with nominal 1 3/8" (3.5 cm) diameter connection opening, with ring terminals and marked for use with ranges.

- Tighten strain relief screws.
- Replace terminal block access cover.

Direct Wire Installation: Copper or Aluminum Wire

This range may be connected directly to the fuse disconnect or circuit breaker box. Depending on your electrical supply, make the required 3-wire or 4-wire connection.

- Strip outer covering back 3" (7.6 cm) to expose wires. Strip the insulation back 3/8" (1.0 cm) from the end of each wire.



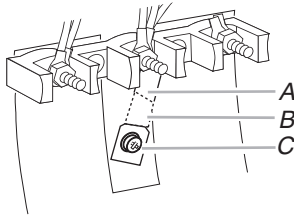
- Allow enough slack in the wire to easily attach the wiring terminal block.
- Complete electrical connection according to your type of electrical supply (4-wire or 3-wire connection).

4-wire Connection: Direct Wire

Use this method for:

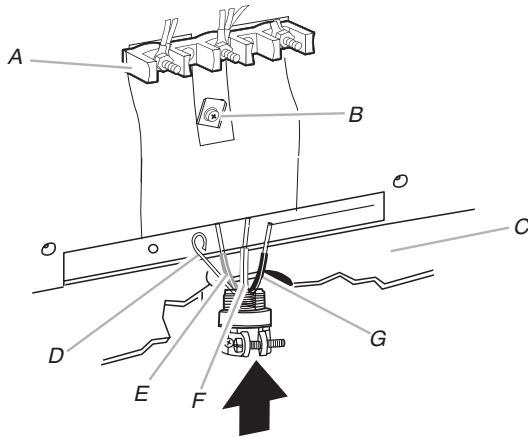
- New branch-circuit installations (1996 NEC)
- Mobile homes
- Recreational vehicles
- In an area where local codes prohibit grounding through the neutral

- Part of metal ground strap must be cut out and removed.



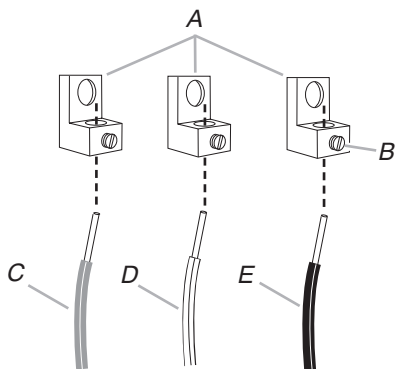
A. Metal ground strap
B. Discard
C. Ground-link screw

- Use a Phillips screwdriver to remove the ground-link screw from the back of the range. Save the ground-link screw and the end of the ground link under the screw.
- Pull the wires through the strain relief on bottom of range. Allow enough slack to easily attach wiring to the terminal block.



A. Terminal block
B. Ground-link screw
C. Cord/conduit plate
D. Bare (green) ground wire
E. Line 2 (red) wire
F. Neutral (white) wire
G. Line 1 (black) wire

- Attach terminal lugs to line 1 (black), neutral (white), and line 2 (red) wires. Loosen (do not remove) the setscrew on the front of the terminal lug and insert exposed wire end through bottom of terminal lugs. Securely tighten setscrew to torque as shown in the following Bare Wire Torque Specifications chart.



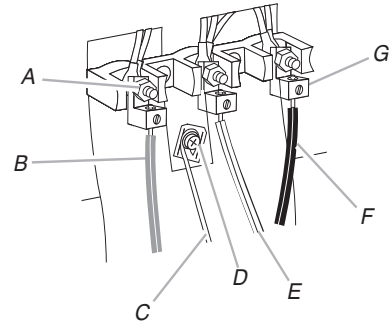
A. Terminal lug
B. Setscrew
C. Line 2 (red) wire
D. Neutral (white) wire
E. Line 1 (black) wire

Bare Wire Torque Specifications

Attaching terminal lugs to the terminal block - 20 lbs-in. (2.3 N-m).

Wire Awg	Torque
8 gauge copper	25 lbs-in. (2.8 N-m)
6 gauge aluminum	35 lbs-in. (4.0 N-m)

- Use a hex or Phillips screwdriver to connect the bare (green) ground wire to the range with the ground-link screw and ground-link section. The ground wire must be attached first and must not contact any other terminal.
- Use 3/8" (1.0 cm) nut driver to connect the neutral (white) wire to the center terminal block post with one of the 10-32 hex nuts.



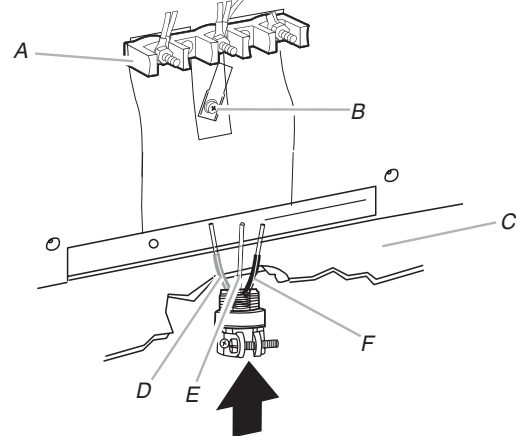
A. 10-32 hex nut
B. Line 2 (red)
C. Bare (green) ground wire
D. Ground-link screw
E. Neutral (white) wire
F. Line 1 (black)
G. Terminal lug

- Connect line 2 (red) and line 1 (black) wires to the outer terminal block posts with 10-32 hex nuts.
- Securely tighten hex nuts.
- Replace terminal block access cover.

3-wire connection: Direct Wire

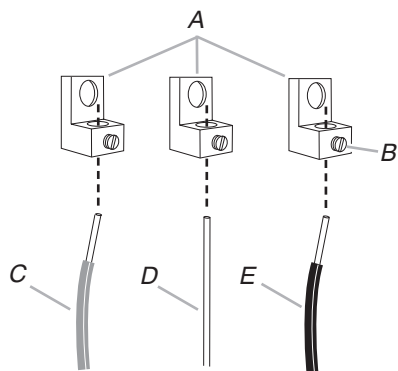
Use this method only if local codes permit connecting ground conductor to neutral supply wire.

- Pull the wires through the conduit on cord/conduit plate on bottom of range. Allow enough slack to easily attach the wiring to the terminal block.



A. Terminal block
B. Ground-link screw
C. Cord/conduit plate
D. Line 2 (red) wire
E. Bare (green) ground wire
F. Line 1 (black) wire

- Attach terminal lugs to line 2 (red), bare (green) ground, and line 1 (black) wires. Loosen (do not remove) the setscrew on the front of the terminal lug and insert exposed wire end through bottom of terminal lugs. Securely tighten setscrew to torque as shown in the following Bare Wire Torque Specifications chart.



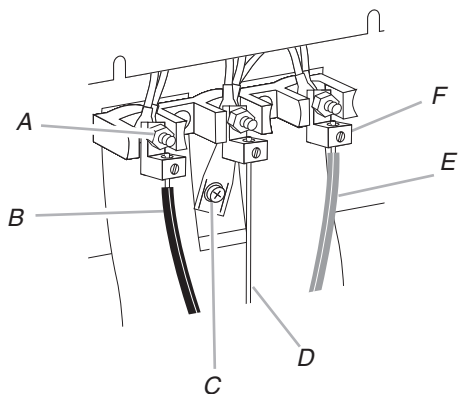
A. Terminal lug
 B. Setscrew
 C. Line 2 (red) wire
 D. Bare (green) ground wire
 E. Line 1 (black) wire

Bare Wire Torque Specifications

Attaching terminal lugs to the terminal block - 20 lbs-in. (2.3 N-m).

Wire Awg	Torque
8 gauge copper	25 lbs-in. (2.8 N-m)
6 gauge aluminum	35 lbs-in. (4.0 N-m)

- Use 3/8" (1.0 cm) nut driver to connect the bare (green) ground wire to the center terminal block post with one of the 10-32 hex nuts.



A. 10-32 hex nut
 B. Line 2 (red)
 C. Ground-link screw
 D. Bare (green) ground wire
 E. Line 1 (black)
 F. Terminal lug

- Connect line 2 (red) and line 1 (black) wires to the outer terminal block posts with 10-32 hex nuts.
- Securely tighten hex nuts.
- Replace terminal block access cover.

Verify Anti-Tip Bracket Is Installed and Engaged

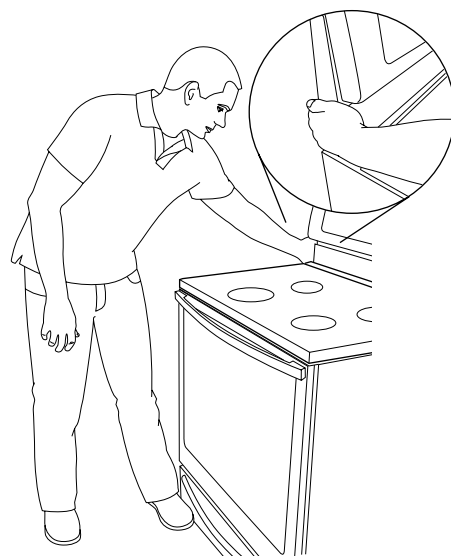
On Ranges Equipped with a Storage Drawer:

- Remove the storage drawer. See the "Storage Drawer" section.
- Use a flashlight to look underneath the bottom of the range.
- Visually check that the rear range foot is inserted into the slot of the anti-tip bracket.

On Ranges Equipped with a Warming Drawer or Premium Storage Drawer:

- Place the outside of your foot against the bottom front of the warming drawer or premium storage drawer, and grasp the lower right or left side of the control panel as shown.

NOTE: If your countertop is mounted with a backsplash, it may be necessary to grasp the range higher than is shown in the illustration.



- Slowly attempt to tilt the range forward. If you encounter immediate resistance, the range foot is engaged in the anti-tip bracket.
- If the rear of the range lifts more than 1/2" (1.3 cm) off the floor without resistance, stop tilting the range and lower it gently back to the floor. The range foot is not engaged in the anti-tip bracket.

IMPORTANT: If there is a snapping or popping sound when lifting the range, the range may not be fully engaged in the bracket. Check to see if there are obstructions keeping the range from sliding to the wall or keeping the range foot from sliding into the bracket. Verify that the bracket is held securely in place by the mounting screws.

- Slide the range forward, and verify that the anti-tip bracket is securely attached to the floor or wall.
- Slide range back so the rear range foot is inserted into the slot of the anti-tip bracket.

IMPORTANT: If the back of the range is more than 2" (5.1 cm) from the mounting wall, the rear range foot may not engage the bracket. Slide the range forward and determine if there is an obstruction between the range and the mounting wall. If you need assistance or service, refer to the "Assistance or Service" section of the Use and Care Guide, or the cover or "Warranty" section of the User Instructions, for contact information.

- Repeat steps 1 and 2 to ensure that the range foot is engaged in the anti-tip bracket.

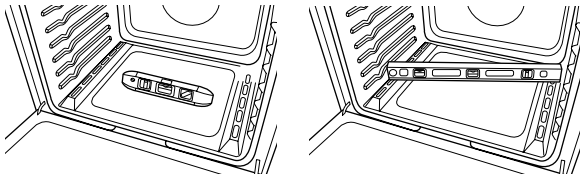
If the rear of the range lifts more than 1/2" (1.3 cm) off the floor without resistance, the anti-tip bracket may not be installed correctly. Do not operate the range without anti-tip bracket installed and engaged. Please reference the "Assistance or Service" section of the Use and Care Guide, or the cover or "Warranty" section of the User Instructions, to contact service.

Level Range

Determine if you have AquaLift® Technology or Steam Clean by referring to the “Range Care” section of the User Instructions.

For Ranges with AquaLift® Technology or Steam Clean:

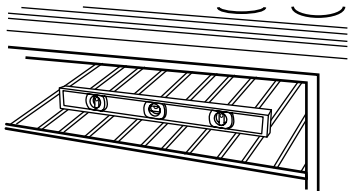
1. Place level on the oven bottom as indicated in one of the two figures below depending on the size of the level. Check with the level: side-to-side and front to back.



2. If range is not level, pull range forward until rear-leveling leg is removed from the anti-tip bracket.
3. Follow the directions in Style 1 or Style 2, depending on the style of drawer supplied with the range.

For Ranges without AquaLift® Technology or Steam Clean:

1. Place a standard flat rack in oven.
2. Place level on the rack and check levelness of the range, first side-to-side; then front to back.



3. If range is not level, pull range forward until rear leveling leg is removed from the anti-tip bracket.
4. Follow the directions in Style 1 or Style 2, depending on the style of drawer supplied with the range.

Style 1: Ranges Equipped with a Storage Drawer:

Use a 1/4" (6.4 mm) drive ratchet, wrench or pliers to adjust leveling legs up or down until the range is level. Push range back into position. Check that rear leveling leg is engaged in the anti-tip bracket.

Style 2: Ranges Equipped with a Warming Drawer or Premium Storage Drawer:

Use a wrench or pliers to adjust leveling legs up or down until the range is level. Push range back into position. Check that rear-leveling leg is engaged in the anti-tip bracket.

NOTE: Range must be level for satisfactory baking performance and best cleaning results using AquaLift® Technology and Steam Clean functions.

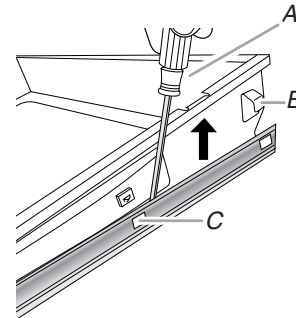
Warming Drawer or Premium Storage Drawer

(on some models)

Remove all items from inside the warming drawer or premium storage drawer, and allow the range to cool completely before attempting to remove the drawer.

To Remove:

1. Open the warming drawer or premium storage drawer to its fully open position.
2. Using a flat-blade screwdriver, gently loosen the warming drawer or premium storage drawer from the glide alignment notch and lift up the drawer alignment tab from the glide.

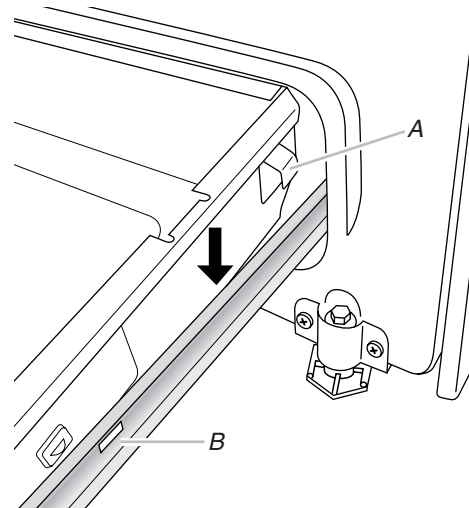


A. Flat-blade screwdriver
B. Drawer alignment tab
C. Drawer glide notch

3. Repeat Step 2 on the other side. The warming drawer or premium storage drawer is no longer attached to the drawer glides. Using both hands, pick up the warming drawer or premium storage drawer to complete the removal.

To Replace:

1. Align the forward drawer notches with the notches in the drawer glides on both sides. Place the rear alignment tabs into the drawer glides on both sides.



A. Drawer alignment tab
B. Drawer glide notch

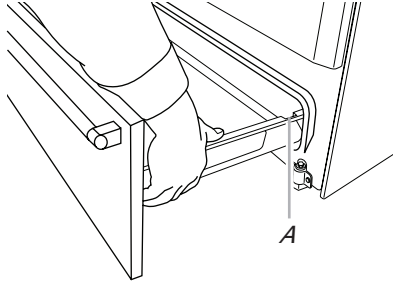
2. Push the warming drawer or premium storage drawer in all the way.
3. Gently open and close the warming drawer or premium storage drawer to ensure it is seated properly on the glides on both sides.

Storage Drawer (on some models)

The storage drawer can be removed. Before removing, make sure drawer is cool and empty.

To Remove:

1. Pull the storage drawer straight back to the drawer stop.

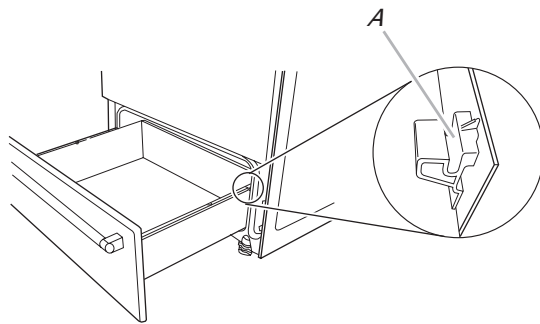


A. Drawer stop notch

2. Lift up the front of the drawer and pull the drawer out.

To Replace:

1. Lift up the front of the drawer and place the rear of the drawer inside the range so that the drawer stop notch is behind the drawer glide.
2. Lower the drawer so that the edge of the slide rail drops into the slot in the drawer glide.
3. Slowly push the drawer into the range.



A. Engage drawer glide.

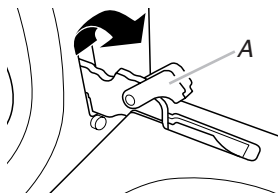
NOTE: When properly installed, the rear slides on the bottom of the drawer will engage the base rails and the drawer will not tip when items are placed in the drawer.

Oven Door

For normal range use, it is not suggested to remove the oven door. However, if removal is necessary, make sure the oven is off and cool. Then, follow these instructions. The oven door is heavy.

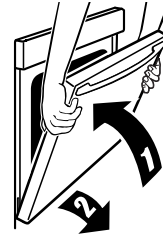
To Remove:

1. Open oven door all the way.
2. Pinch the hinge latch between two fingers and pull forward. Repeat on other side of oven door.



A. Hinge latch

3. Close the oven door as far as it will shut.
4. Lift the oven door while holding both sides. Continue to push the oven door closed and pull it away from the oven doorframe.



To Replace:

1. Insert both hanger arms into the door.



2. Open the oven door. You should hear a “click” as the door is set into place.
3. Move the hinge levers back to the locked position. Check that the door is free to open and close. If it is not, repeat the removal and installation procedures.

Complete Installation

1. Check that all parts are now installed. If there is an extra part, go back through the steps to see which step was skipped.
2. Check that you have all of your tools.
3. Dispose of/recycle all packaging materials.
4. Check that the range is level. See the “Level Range” section.
5. Use a mild solution of liquid household cleaner and warm water to remove waxy residue caused by shipping material. Dry thoroughly with a soft cloth. For more information, read the “Range Care” section of the Use and Care Guide or User Instructions.
6. Read the “Range Use” section of the Use and Care Guide or User Instructions.
7. Plug power cord into appropriate outlet. Turn power on.
8. Turn on surface burners and oven. See the Use and Care Guide or User Instructions for specific instruction on range operation.

If range does not operate, check the following:

- Household fuse is intact and tight; or circuit breaker has not tripped.
- Range is plugged into an outlet.
- Electrical supply is connected.

IMPORTANT: If the range control displays an F9 or F9, E0 error code, the electrical outlet may be miswired. Contact a qualified electrician to verify the electrical supply.

- See “Troubleshooting” in the Use and Care Guide or User Instructions.

When the range has been on for 5 minutes, check for heat. If range is cold, turn off the range and contact a qualified technician.

Moving the Range

! WARNING



Tip Over Hazard

A child or adult can tip the range and be killed.

Install anti-tip bracket to floor or wall per installation instructions.

Slide range back so rear range foot is engaged in the slot of the anti-tip bracket.

Re-engage anti-tip bracket if range is moved.

Do not operate range without anti-tip bracket installed and engaged.

Failure to follow these instructions can result in death or serious burns to children and adults.

When moving range, slide range onto cardboard or hardboard to avoid damaging the floor covering.

If removing the range is necessary for cleaning or maintenance:

For power supply cord-connected ranges:

1. Slide range forward.
2. Unplug the power supply cord.
3. Complete cleaning or maintenance.
4. Plug in power supply cord.
5. Check that the anti-tip bracket is installed and engaged. See the “Verify Anti-Tip Bracket Is Installed and Engaged” section.
6. Check that range is level.

For direct-wired ranges:

! WARNING



Electrical Shock Hazard

Disconnect power before servicing.

Replace all parts and panels before operating.

Failure to do so can result in death or electrical shock.

1. Disconnect power.
2. Slide range forward.
3. Complete cleaning or maintenance.
4. Check that the anti-tip bracket is installed and engaged. See the “Verify Anti-Tip Bracket Is Installed and Engaged” section.
5. Check that range is level.
6. Reconnect power.

SÉCURITÉ DE LA CUISINIÈRE

Votre sécurité et celle des autres est très importante.

Nous donnons de nombreux messages de sécurité importants dans ce manuel et sur votre appareil ménager. Assurez-vous de toujours lire tous les messages de sécurité et de vous y conformer.



Voici le symbole d'alerte de sécurité.

Ce symbole d'alerte de sécurité vous signale les dangers potentiels de décès et de blessures graves à vous et à d'autres.

Tous les messages de sécurité suivront le symbole d'alerte de sécurité et le mot "DANGER" ou "AVERTISSEMENT". Ces mots signifient :

⚠ DANGER

Risque possible de décès ou de blessure grave si vous ne suivez pas immédiatement les instructions.

⚠ AVERTISSEMENT

Risque possible de décès ou de blessure grave si vous ne suivez pas les instructions.

Tous les messages de sécurité vous diront quel est le danger potentiel et vous disent comment réduire le risque de blessure et ce qui peut se produire en cas de non-respect des instructions.

⚠ AVERTISSEMENT

Risque de basculement

Un enfant ou une personne adulte peut faire basculer la cuisinière, ce qui peut causer un décès.

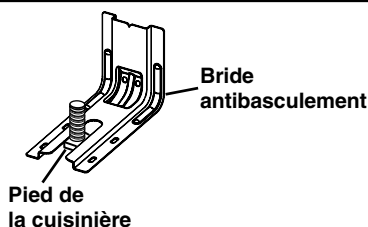
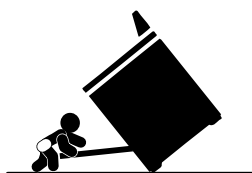
Fixer la bride antibasculement au plancher ou au mur, conformément aux instructions d'installation.

Faire glisser de nouveau la cuisinière de façon à ce que le pied arrière de la cuisinière se trouve dans la fente de la bride antibasculement.

Réengager la bride antibasculement si la cuisinière a été déplacée.

Ne pas faire fonctionner la cuisinière si la bride antibasculement n'est pas installée et engagée.

Le non-respect de ces instructions peut causer un décès ou des brûlures graves aux enfants et aux adultes.



Pour vérifier que la bride antibasculement est bien installée et engagée :

- Faire glisser la cuisinière vers l'avant.
- Vérifier que la bride antibasculement est bien fixée au plancher ou au mur.
- Faire de nouveau glisser la cuisinière vers l'arrière de sorte que le pied de la cuisinière se trouve sous la bride antibasculement.
- Voir les instructions d'installation pour plus de détails.

EXIGENCES D'INSTALLATION

Outillage et pièces

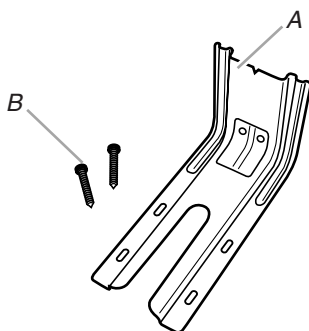
Rassembler les outils et pièces nécessaires avant d'entreprendre l'installation. Lire et observer les instructions fournies avec chacun des outils de la liste ci-dessous.

Outils nécessaires

- Ruban à mesurer
- Tournevis à lame plate
- Tournevis à tête cruciforme
- Niveau
- Marteau
- Perceuse manuelle ou électrique
- Clé ou pince
- Marqueur ou crayon
- Ruban adhésif de masquage
- Clé à cliquet de 1/4" (6,4 mm)
- Tourne-écrou de 1/4" (6,4 mm)
- Tourne-écrou de 3/8" (1 cm) et 5/16" (7,9 mm)
- Foret de 1/8" (3,2 mm) (pour planchers en bois)

Pièces fournies

Vérifier que toutes les pièces sont présentes.



A. Bride antibasculement
B. 2 Vis n° 12 x 1⁵/₈" (4,1 cm)

- La bride antibasculement doit être bien fixée au plancher ou au mur. La profondeur du plancher peut nécessiter des vis plus longues pour l'ancrage de la bride dans le plancher.

Pièces nécessaires

En cas d'utilisation d'un cordon d'alimentation électrique :

- Cordon d'alimentation (homologation UL) conçu pour l'utilisation avec une cuisinière. Pour service 250 V minimum, 40 A ou 50 A, compatible avec une ouverture de diamètre nominal de 1³/₈" (3,5 cm) pour le raccordement, et avec cosses rondes ou en fourche à pointes relevées à l'extrémité de chaque conducteur.

- Un serre-câbles (homologation UL).

Consulter les codes locaux. Vérifier l'alimentation électrique existante. Voir la section "Spécifications électriques".

Il est recommandé de faire réaliser tous les raccordements électriques par un électricien qualifié agréé.

Exigences d'emplacement

IMPORTANT : Observer les dispositions de tous les codes et règlements en vigueur.

- C'est à l'installateur qu'incombe la responsabilité de respecter les distances de séparation spécifiées sur la plaque signalétique. La plaque signalétique est située sur le châssis derrière un coin supérieur de la porte ou d'un côté du tiroir.
- Afin de supprimer le risque de brûlures ou d'incendie en se penchant au-dessus des unités de surface chauffées, le rangement en armoire au-dessus des unités de surface doit être évité. Si le rangement en armoire est envisagé, le risque peut être réduit par l'installation d'une hotte de cuisine opérant horizontalement sur un minimum de 5" (12,7 cm) au-delà du bas des placards.
- Respecter les dimensions indiquées pour les ouvertures à découper dans les meubles. Ces dimensions constituent les valeurs minimales des dégagements.
- La bride antibasculement doit être installée. Pour l'installation de la bride antibasculement fournie avec la cuisinière, voir la section "Installation de la bride antibasculement".
- Une source d'électricité avec liaison à la terre est nécessaire. Voir la section "Spécifications électriques".

IMPORTANT : Pour éviter d'endommager les armoires, consulter le constructeur de la maison ou le fabricant des armoires pour déterminer si les matériaux utilisés peuvent subir un changement de couleur, une déstratification ou d'autres dommages. Ce four a été conçu conformément aux exigences des normes UL et CSA International et respecte les températures maximales permises de 194 °F (90 °C) pour les armoires en bois.

Résidence mobile – Spécifications additionnelles à respecter lors de l'installation

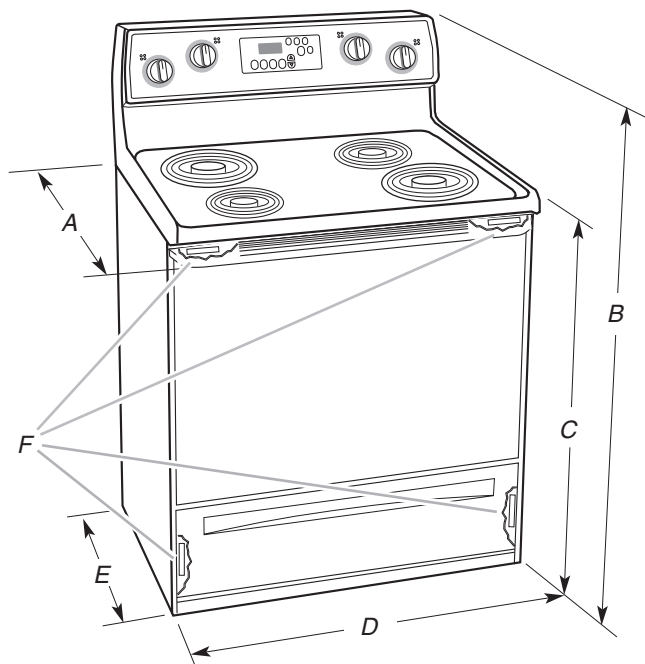
L'installation de cette cuisinière doit être conforme aux dispositions de la norme Manufactured Home Construction and Safety Standard, Title 24 CFR, Part 3280 (anciennement Federal Standard for Mobile Home Construction and Safety, Title 24, HUD Part 280). Lorsque cette norme n'est pas applicable, l'installation doit satisfaire aux critères de la norme Standard for Manufactured Home Installations, ANSI A225.1/NFPA 501A ou aux dispositions des codes locaux.

Au Canada, l'installation de cette cuisinière doit satisfaire aux stipulations de la version la plus récente de la norme CAN/CSA-Z240, ou des codes locaux en vigueur.

Autres critères à respecter pour une installation dans une résidence mobile :

- Lorsque cette cuisinière est installée dans une résidence mobile, elle doit être fixée selon les instructions de ce document.
- Pour une installation dans une résidence mobile, un câble ou cordon d'alimentation à quatre conducteurs doit être utilisé. Le câblage de l'appareil devra être révisé. Voir la section "Raccordement électrique – É.-U. seulement".

Dimensions du produit



- A. Profondeur maximale avec la poignée : 27³/₄" (70,5 cm)
- B. Hauteur (max) avec les pieds de nivellement complètement relevés : 46⁷/₈" (119,1 cm)*
- C. Hauteur (max) de la table de cuisson avec les pieds de nivellement complètement relevés : 36" (91,4 cm)*
- D. Largeur : 29⁷/₈" (75,9 cm)
- E. Profondeur de l'arrière de la cuisinière à l'avant de la table de cuisson : 25⁵/₁₆" (64,3 cm).**
- F. Plaque signalétique (située sur le cadre derrière un coin supérieur de la porte ou de chaque côté du tiroir)

IMPORTANT : La cuisinière doit être d'aplomb après l'installation. Suivre les instructions de la section "Réglage de l'aplomb de la cuisinière". Il n'est pas recommandé d'utiliser la table de cuisson comme référence pour établir l'aplomb de la cuisinière.

*La cuisinière peut être surélevée d'environ 1" (2,5 cm) en ajustant les pieds de nivellement.

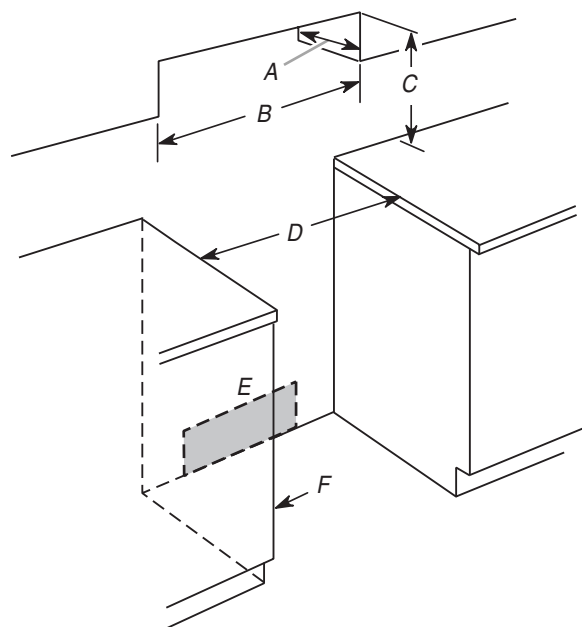
**L'avant de la porte et du tiroir peut s'avancer davantage en fonction du style du produit.

Dimensions de l'armoire

Les dimensions de l'espace entre les armoires correspondent à une installation entre des armoires de 24" (61,0 cm) de profondeur, avec comptoir de 25" (64,0 cm) de profondeur et de 36" (91,4 cm) de hauteur.

IMPORTANT : Si une hotte ou un ensemble hotte/four à micro-ondes est installé au-dessus de la surface de cuisson, suivre les instructions d'installation fournies avec la hotte ou l'ensemble hotte/four à micro-ondes concernant les dimensions de dégagement à respecter au-dessus de la surface de cuisson.

Une cuisinière autoportante peut être installée sans aucun dégagement à proximité de parois combustibles.



- A. Profondeur max. du placard supérieur : 13" (33,0 cm).
- B. Largeur min. de l'ouverture : 30" (76,2 cm)
- C. Pour le dégagement minimum vers la partie supérieure de la table de cuisson, voir la REMARQUE*
- D. Largeur min. de l'ouverture : 30" (76,2 cm)
- E. Prise : 8" (20,3 cm) à 22" (55,9 cm) de l'un des deux placards, 7" (17,8 cm) max. du plancher
- F. La porte ou charnière du placard ne doit pas dépasser à l'intérieur de l'ouverture.

***REMARQUE :** Distance de séparation de 24" (61,0 cm) ou plus lorsque le fond d'une armoire de bois ou de métal est protégé par une planche ignifugée d'au moins 1/4" (6,4 mm) recouverte d'une feuille métallique d'épaisseur égale ou supérieure à : acier calibre 28 MSG, acier inoxydable 0,015" (0,4 mm), aluminium 0,024" (0,6 mm) ou cuivre 0,020" (0,5 mm).

Distance de séparation minimale de 30" (76,2 cm) ou plus entre le dessus de la table de cuisson et le fond d'une armoire de bois ou de métal non protégé.

Spécifications électriques

Spécifications électriques – É.-U. seulement

Si l'on utilise un conducteur distinct de liaison à la terre lorsque les codes le permettent, il est recommandé qu'un électricien qualifié vérifie que la liaison à la terre et le calibre des conducteurs sont conformes aux codes locaux.

Ne pas utiliser de rallonge.

S'assurer que le raccordement électrique est adéquat et conforme au code national de l'électricité, ANSI/NFPA 70 – dernière édition, et à tous les codes et règlements locaux en vigueur.

Pour obtenir un exemplaire des normes des codes ci-dessus, contacter :

National Fire Protection Association
1 Batterymarch Park
Quincy, MA 02169-7471

AVERTISSEMENT : Un raccordement inapproprié du conducteur de mise à la terre de l'équipement peut causer un risque de choc électrique. Vérifier avec un électricien ou un technicien de dépannage qualifié en cas de doute quant à la qualité de la liaison à la terre de l'appareil. Ne pas modifier la prise du cordon d'alimentation. Si elle ne correspond pas à la prise de sortie, faire installer une fiche appropriée par un électricien qualifié.

Raccordement électrique

Pour installer la cuisinière de façon appropriée, il faut établir le type de raccords électriques que l'on utilisera et suivre les instructions de ce document.

- La cuisinière doit être alimentée par une source d'électricité et une tension appropriées, comme spécifiée sur la plaque signalétique. La plaque signalétique est située sur le châssis derrière un coin supérieur de la porte ou d'un côté du tiroir. Consulter les images du point "Dimensions du produit" de la section "Exigences d'emplacement".
- La borne du neutre de cette cuisinière est raccordée à la caisse. Utiliser un cordon d'alimentation électrique (raccord flexible) à 3 fils homologué UL, pour 40 ou 50 A (consulter le tableau de la puissance nominale de la cuisinière). Si les codes locaux interdisent le raccordement de la terre au neutre, utiliser un cordon d'alimentation électrique à 4 fils de 250 V, 40 ou 50 A en nominal et dont l'utilisation avec les cuisinières a été testée.

Puissance nominale de la cuisinière*		Intensité nominale spécifiée du cordon d'alimentation et de la protection du circuit
120/240 V	120/208 V	A
8,8 à 16,5 kW	7,8 à 12,5 kW	40 ou 50**
16,6 à 22,5 kW	12,6 à 18,5 kW	50

*La charge NEC calculée est inférieure à la charge totale connectée indiquée sur la plaque signalétique.

**En cas de raccordement à un circuit de 50 A, utiliser un cordon de 50 A nominaux avec son ensemble. Pour les ensembles avec cordon de 50 A nominaux, utiliser des ensembles conçus pour être utilisés avec une ouverture de raccord d'un diamètre nominal de 1 $\frac{3}{8}$ " (3,5 cm).

- L'emploi d'un disjoncteur est recommandé.
- La cuisinière peut être raccordée directement au disjoncteur (ou coupe-circuit avec fusible) par l'intermédiaire de câble à conducteurs de cuivre ou aluminium, à blindage métallique flexible ou à gaine non métallique. Voir la section "Raccordement électrique – É.-U. seulement".
- Prévoir 2 à 3 pi (61,0 cm à 91,4 cm) de mou pour le câble afin de pouvoir déplacer la cuisinière en cas de réparation.

- Un raccord de conduit homologué UL doit être fourni à chaque extrémité du câble d'alimentation électrique (à la cuisinière et à la boîte de connexion).
- Le calibre des câbles et des raccordements doit être conforme à la puissance nominale de la cuisinière.
- Le schéma de câblage est situé sur la fiche technique.
- La fiche technique est située à l'arrière de la cuisinière, dans un sachet plastique transparent.

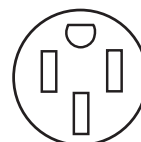
En cas de raccordement à un circuit à 4 conducteurs :

Cette cuisinière est fabriquée avec la mise à la terre connectée au neutre par une liaison. Le circuit de mise à la terre doit être modifié pour que le conducteur de mise à la terre vert du cordon d'alimentation électrique à 4 conducteurs soit raccordé à la caisse. Voir la section "Raccordement électrique – É.-U. seulement".

Il est interdit de relier l'appareil à la terre par l'intermédiaire du conducteur neutre dans les cas suivants : nouvelle installation sur circuit de dérivation (code NEC 1996), résidence mobile, véhicule récréatif et juridictions où le code local interdit la liaison à la terre par l'intermédiaire du conducteur neutre.

En cas d'utilisation d'une prise murale à 4 conducteurs de type NEMA 14-50R, un cordon d'alimentation électrique homologué UL à 4 conducteurs de 250 V et 40 ou 50 A doit être utilisé pour la cuisinière. Ce cordon contient 4 conducteurs en cuivre équipés de bornes circulaires ou en fourche à extrémités relevées et se termine par une prise mâle de type NEMA Type 14-50P à l'extrémité d'alimentation.

Le quatrième conducteur (mise à la terre) doit être identifié par une gaine verte, ou vert et jaune, et le conducteur neutre doit être identifié par une gaine blanche. Le cordon doit être de type SRD ou SRDT, être équipé d'un serre-câble homologué UL et mesurer au moins 4 pi (1,22 m) de long.



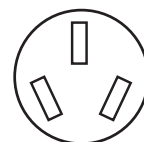
Prise murale à 4 conducteurs (14-50R)

Les conducteurs du cordon d'alimentation à 4 fils de cuivre doivent présenter au minimum les caractéristiques suivantes :

Circuit de 40 A
2 conducteurs n°8
1 conducteur neutre n°10
1 conducteur de terre n°8

En cas de raccordement à un circuit à 3 conducteurs :

Il est possible que les codes locaux permettent l'utilisation d'un cordon d'alimentation (en spirale) pour cuisinière homologué UL, à 3 conducteurs, de 250 volts, 40 ou 50 ampères. Ce cordon contient 3 conducteurs en cuivre équipés de bornes circulaires ou en fourche à extrémités relevées et se termine par une prise mâle de type NEMA Type 10-50P à l'extrémité d'alimentation. Des connecteurs du côté de l'appareil doivent être prévus au point d'entrée du cordon d'alimentation. Cela nécessite une prise murale à 3 conducteurs de type NEMA 10-50R.



Prise murale à 3 conducteurs (10-50R)

⚠️ AVERTISSEMENT



Risque de choc électrique

Relier la cuisinière à la terre.

Le non-respect de cette instruction peut causer un décès, un incendie ou un choc électrique.

Si l'on utilise un conducteur distinct de liaison à la terre lorsque les codes le permettent, il est recommandé qu'un électricien qualifié vérifie que la liaison à la terre est adéquate et la section des fils conforme aux codes locaux.

Vérifier que le raccordement à la source d'électricité et le calibre des conducteurs sont conformes aux prescriptions de la plus récente édition de la norme CSA C22.1, partie 1 – Code canadien de l'électricité, et de tout code ou règlement local en vigueur.

Pour obtenir un exemplaire des normes des codes ci-dessus, contacter :

Canadian Standards Association
178 Rexdale Blvd.
Toronto, ON M9W 1R3 CANADA

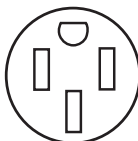
- En cas de doute quant à la qualité de la liaison à la terre de la cuisinière, consulter un électricien qualifié.

Puissance nominale de la cuisinière*		Intensité nominale spécifiée du cordon d'alimentation et de la protection du circuit
120/240 V	120/208 V	A
8,8 - 16,5 kW	7,8 - 12,5 kW	40 ou 50**
16,6 - 22,5 kW	12,6 - 18,5 kW	50

*La charge NEC calculée est inférieure à la charge totale connectée indiquée sur la plaque signalétique.

**En cas de raccordement à un circuit de 50 A, utiliser un cordon de 50 A nominaux avec son ensemble. Pour les ensembles avec cordon de 50 A nominaux, utiliser des ensembles conçus pour être utilisés avec une ouverture de raccord d'un diamètre nominal de 1³/₈" (3,5 cm).

- On recommande d'utiliser un fusible ou un disjoncteur temporisé.
- Cette cuisinière est équipée d'un cordon électrique homologué par la CSA International à brancher dans une prise murale standard 14-50R. Veiller à ce que la prise murale se trouve à proximité de l'emplacement définitif de la cuisinière.



- Ne pas utiliser de rallonge.

INSTRUCTIONS D'INSTALLATION

Déballage de la cuisinière

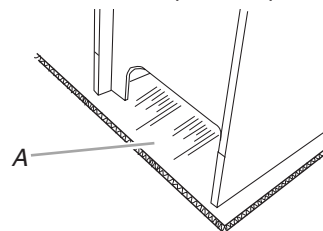
⚠️ AVERTISSEMENT

Risque du poids excessif

Utiliser deux ou plus de personnes pour déplacer et installer la cuisinière.

Le non-respect de cette instruction peut causer une blessure au dos ou d'autre blessure.

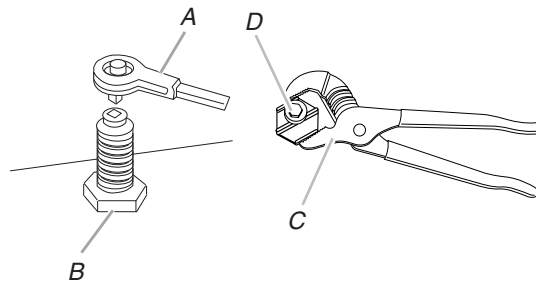
1. Ôter les matériaux d'emballage, le ruban adhésif et la pellicule protectrice de la cuisinière.
2. Retirer les grilles de four et le sachet de pièces de l'intérieur du four.
3. Ne pas enlever la base d'expédition pour l'instant.



A. Base d'expédition

4. Sur les cuisinières avec tiroir de remisage :

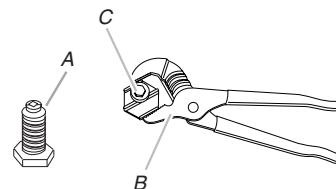
Retirer le tiroir de remisage. Voir la section "Enlever et remettre le tiroir". Utiliser une clé à cliquet de 1/4" (6,4 mm) pour abaisser les pieds de nivellement arrière d'un demi-tour. Utiliser une clé ou une pince pour abaisser les pieds de nivellement avant d'un demi-tour.



A. Clé à cliquet de 1/4" (6,4 mm) C. Clé ou pince
B. Pieds de nivellement arrière D. Pieds de nivellement avant

Sur les cuisinières avec tiroir-réchaud ou tiroir de remisage de qualité supérieure :

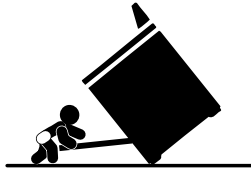
Sur les cuisinières avec tiroir-réchaud ou tiroir de remisage de qualité supérieure, on ne peut pas accéder aux pieds arrière en retirant le tiroir-réchaud ou le tiroir de remisage de qualité supérieure. Les pieds arrière doivent être réglés depuis l'extérieur de la cuisinière. Utiliser une clé ou une pince pour abaisser les pieds de nivellement avant et arrière d'un demi-tour.



A. Pieds de nivellement arrière
B. Clé ou pince
C. Pieds de nivellement avant

Installation de la bride antibasculement

AVERTISSEMENT



Risque de basculement

Un enfant ou une personne adulte peut faire basculer la cuisinière, ce qui peut causer un décès.

Fixer la bride antibasculement au plancher ou au mur, conformément aux instructions d'installation.

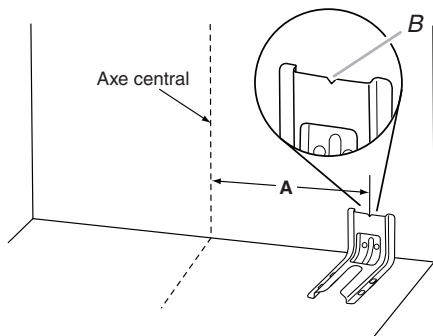
Faire glisser de nouveau la cuisinière de façon à ce que le pied arrière de la cuisinière se trouve dans la fente de la bride antibasculement.

Réengager la bride antibasculement si la cuisinière a été déplacée.

Ne pas faire fonctionner la cuisinière si la bride antibasculement n'est pas installée et engagée.

Le non-respect de ces instructions peut causer un décès ou des brûlures graves aux enfants et aux adultes.

1. Ôter la bride antibasculement fixée par du ruban adhésif à l'intérieur du tiroir de remisage ou du tiroir-réchaud.
2. Déterminer la méthode de montage à utiliser : au plancher ou au mur.
Pour un plancher en pierre ou en briquetage, on peut utiliser la méthode de montage au mur. En cas d'installation de la cuisinière dans une résidence mobile, il est impératif de fixer la cuisinière au plancher.
3. Déterminer et marquer l'axe central de l'espace à découper. Le montage peut être effectué du côté gauche ou droit de la découpe. Positionner la bride de montage contre le mur dans l'ouverture, de telle sorte que l'encoche en V de la bride se trouve à $12^{9/16}$ " (31,9 cm) de l'axe central, tel qu'illustré.

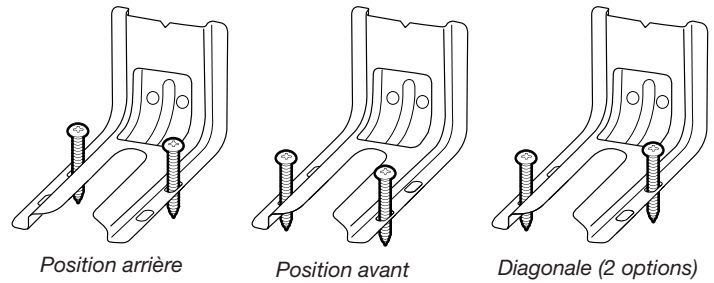


A. $12^{9/16}$ " (31,9 cm)

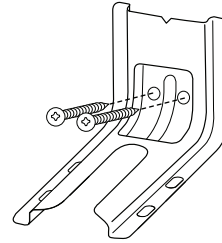
B. Encoche en V de la bride

4. Percer deux trous de $1/8$ " (3 mm) qui correspondent aux trous de la bride selon la méthode de montage déterminée. Voir les illustrations suivantes.

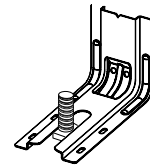
Montage au plancher



Montage mural



5. À l'aide d'un tournevis à tête cruciforme et des 2 vis n° 12 x $1 \frac{5}{8}$ " (4,1 cm) fournies, visser la bride antibasculement au mur ou au plancher.
6. Rapprocher la cuisinière le plus près possible de l'ouverture afin de faciliter les raccordements électriques définitifs. Retirer la plaque de transport, le carton ou le panneau de fibres dur de sous la cuisinière.
7. Placer la cuisinière dans son emplacement définitif en s'assurant que le pied de nivellement arrière glisse dans la bride antibasculement.



8. Déplacer la cuisinière vers l'avant sur sa plaque de transport, son carton ou son panneau de fibres dur pour poursuivre l'installation de la cuisinière à l'aide des instructions d'installation suivantes.

Raccordement électrique - É.-U. seulement

Cordon d'alimentation

⚠ AVERTISSEMENT



Risque de choc électrique

Déconnecter la source de courant électrique avant l'entretien.

Utiliser un cordon d'alimentation électrique neuf de 40 ampères.

Brancher sur une prise reliée à la terre.

Le non-respect de ces instructions peut causer un décès, un incendie ou un choc électrique.

Raccordement par câblage direct

⚠ AVERTISSEMENT



Risque de choc électrique

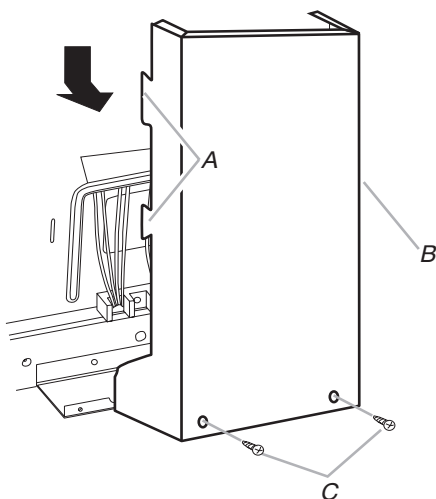
Déconnecter la source de courant électrique avant l'entretien.

Utiliser des conducteurs en cuivre de calibre 8 ou en aluminium de calibre 6.

Relier la cuisinière à la terre.

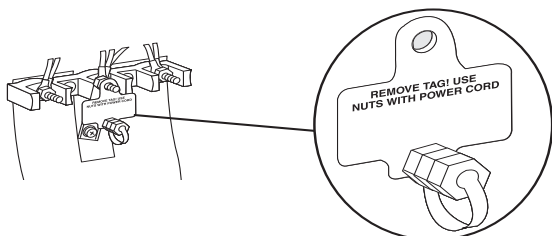
Le non-respect de ces instructions peut causer un décès, un incendie ou un choc électrique.

1. Déconnecter la source de courant électrique.
2. Ôter les vis du couvercle du bornier situées à l'arrière de la cuisinière. Tirer le couvercle vers le bas et vers soi pour enlever le couvercle de la cuisinière.



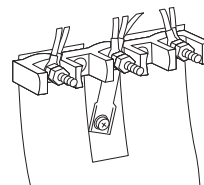
A. Deux onglets de montage de chaque côté
B. Couvercle du bornier
C. Vis à tête hexagonale

3. Selon le modèle, retirer du plot central du boîtier de raccordement l'étiquette plastique qui maintient trois écrous hexagonaux 10-32.



OU

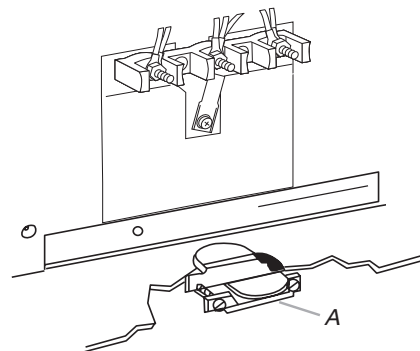
Retirer l'écrou hexagonal 10-32 de chacun des trois boîtiers de raccordement, puis le mettre de côté.



4. Ajouter un serre-câble.

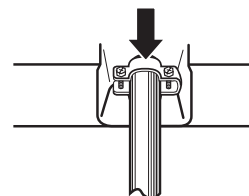
Style 1 : Serre-câbles du câble d'alimentation

- Retirer l'opercule défonçable pour le cordon d'alimentation.
- Insérer un serre-câble homologué UL dans l'ouverture.



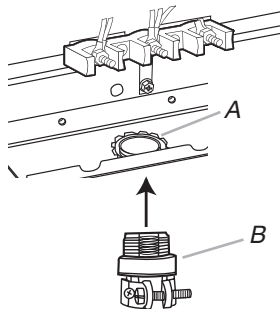
A. Serre-câbles (homologation UL)

- Serrer la vis du serre-câbles autour du cordon d'alimentation.



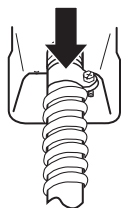
Style 2 : Serre-câbles pour raccordement direct

- Retirer l'opercule défonçable si nécessaire pour le raccordement du conduit flexible.
- Assembler un connecteur de conduit homologué UL dans l'ouverture.



A. Écrou de retenue amovible
B. Conduit

- Serrer la vis du serre-câble autour du conduit flexible.

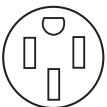
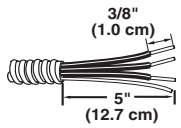

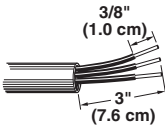


5. Terminer l'installation selon les instructions adaptées au type de raccordement électrique :

4 conducteurs (recommandé)

3 conducteurs (si un circuit à 4 conducteurs n'est pas disponible)

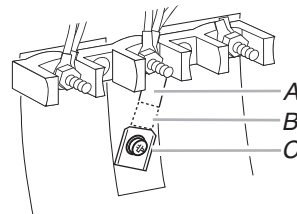
Options de raccordement électrique

Si le domicile comporte:	Point de distribution:	Voir la section suivante:
Prise à 4 conducteurs (type NEMA 14-50R) 	Cordon d'alimentation homologué UL, 250 V minimum, 40 A pour cuisinière	Connexion à 4 conducteurs : cordon d'alimentation
Direct – 4 conducteurs 	Un boîtier de disjoncteurs ou un sectionneur à fusible	Connexion à 4 conducteurs : Raccordement par câblage direct
Prise à 3 conducteurs (type NEMA 10-50R) 	Un cordon d'alimentation pour cuisinière homologué UL, de 250 V minimum, 40 A pour cuisinière	Connexion à 3 conducteurs : cordon d'alimentation
Direct – 3 conducteurs 	Un boîtier de disjoncteurs ou un sectionneur à fusible	Connexion à 3 conducteurs : Raccordement par câblage direct

Connexion à 4 conducteurs : Cordon d'alimentation

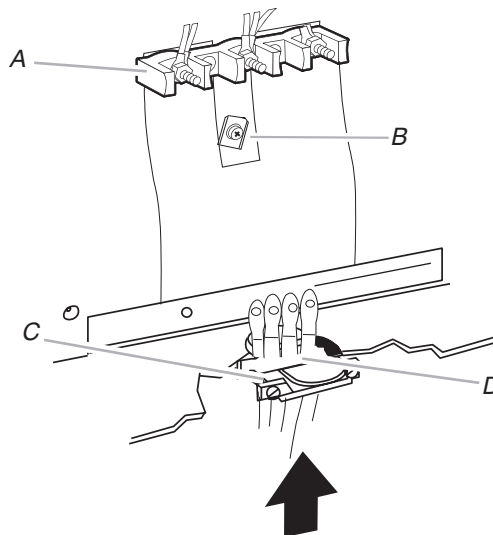
Utiliser cette méthode dans les cas suivants :

- Nouvelles installations sur circuit de dérivation (code NEC 1996)
 - Résidences mobiles
 - Véhicules récréatifs
 - Zone où le code local interdit la mise à la terre par l'intermédiaire du neutre
1. Une partie de la barrette métallique de terre doit être coupée et retirée.



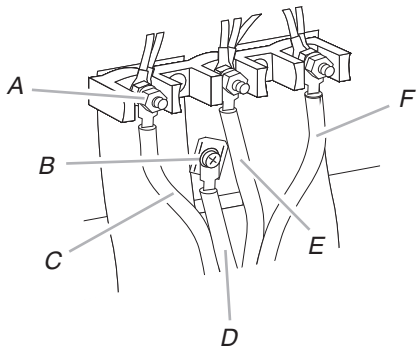
A. Barrette de liaison à la terre métallique
B. Partie à éliminer
C. Vis de liaison à la terre

2. À l'aide d'un tournevis cruciforme, retirer la vis de liaison à la terre à l'arrière de la cuisinière. Conserver la vis de liaison à la terre et l'extrémité de la liaison à la terre sous la vis.
3. Passer le cordon d'alimentation par le serre-câbles de la plaque pour cordon/conduit en bas de la cuisinière. Laisser suffisamment de mou pour raccorder facilement le câblage au bornier.



A. Bornier
B. Vis de liaison à la terre
C. Serre-câbles (homologation UL)
D. Câblage du cordon d'alimentation

- À l'aide d'un tournevis cruciforme, connecter le conducteur de mise à la terre vert du cordon d'alimentation à la cuisinière en serrant la vis de liaison à la terre et à la section de liaison à la terre. Le conducteur de mise à la terre doit être raccordé en premier.
- À l'aide d'un tourne-écrou de 3/8" (1,0 cm), connecter le conducteur neutre (blanc) au plot central du bornier au moyen d'un des écrous hexagonaux n° 10-32.



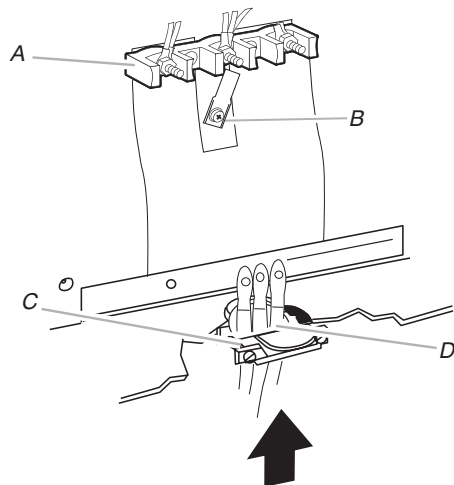
A. Écrou hexagonal 10-32
 B. Vis de liaison à la terre
 C. Ligne 2 (rouge)
 D. conducteur de mise à la terre vert
 E. Conducteur neutre (centre)
 F. Ligne 1 (noir)

- Connectez les conducteurs de la ligne 2 (rouge) et de la ligne 1 (noir) aux bornes externes du bornier avec des écrous hexagonaux n° 10-32.
 - Bien serrer les écrous hexagonaux.
- REMARQUE :** Lors du remplacement du cordon d'alimentation, utiliser seulement un cordon d'alimentation de calibre 250 V minimum, 40 ou 50 A, conçu pour une ouverture de raccordement de diamètre nominal 1 3/8" (3,5 cm), avec cosses circulaires et conçu pour être utilisé avec des cuisinières.
- Serrer les vis du serre-câbles.
 - Réinstaller le couvercle du bornier.

Connexion à 3 conducteurs : Cordon d'alimentation

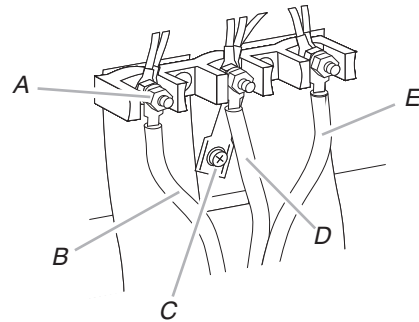
Utiliser cette méthode uniquement si les codes locaux autorisent la connexion du conducteur de mise à la terre du châssis au conducteur du neutre du cordon d'alimentation électrique.

- Passer le cordon d'alimentation par le serre-câbles de la plaque pour cordon/conduit en bas de la cuisinière. Laisser suffisamment de mou pour raccorder facilement le câblage au bornier.



A. Bornier
 B. Vis de liaison à la terre
 C. Serre-câbles (homologation UL)
 D. Câblage du cordon d'alimentation – grande ouverture

- À l'aide d'un tourne-écrou de 3/8" (1,0 cm), connecter le conducteur neutre (blanc) au plot central du bornier au moyen d'un des écrous hexagonaux n° 10-32.



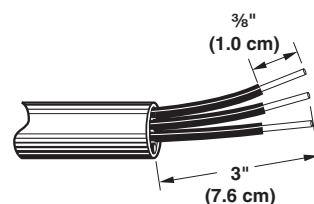
A. Écrou hexagonal 10-32
 B. Ligne 2 (rouge)
 C. Vis de liaison à la terre
 D. Conducteur du neutre (blanc)
 E. Ligne 1 (noir)

- Connectez les conducteurs de la ligne 2 (rouge) et de la ligne 1 (noir) aux bornes externes du bornier avec des écrous hexagonaux n° 10-32.
 - Bien serrer les écrous hexagonaux.
- REMARQUE :** Lors du remplacement du cordon d'alimentation, utiliser seulement un cordon d'alimentation de calibre 250 V minimum, 40 ou 50 A, conçu pour une ouverture de raccordement de diamètre nominal 1 3/8" (3,5 cm), avec cosses circulaires et conçu pour être utilisé avec des cuisinières.
- Serrer les vis du serre-câbles.
 - Réinstaller le couvercle du bornier.

Raccordement par câblage direct : Conducteur de cuivre ou d'aluminium

Cette cuisinière peut être raccordée directement au coupe-circuit avec fusible ou au disjoncteur. En fonction de l'alimentation électrique, réaliser le raccordement nécessaire à 3 ou 4 conducteurs.

- Couper la gaine extérieure sur une longueur de 3" (7,6 cm) pour exposer les conducteurs. Dénuder chaque fil de sa gaine isolante sur une longueur de 3/8" (1,0 cm).



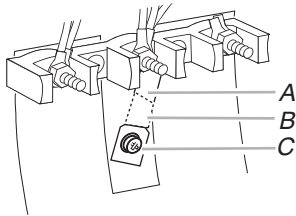
- Laisser suffisamment de mou pour raccorder facilement les conducteurs au bornier.
- Terminer le raccordement électrique en fonction du type d'alimentation électrique (raccordement à 3 ou 4 conducteurs).

Connexion à 4 conducteurs : Raccordement par câblage direct

Utiliser cette méthode dans les cas suivants :

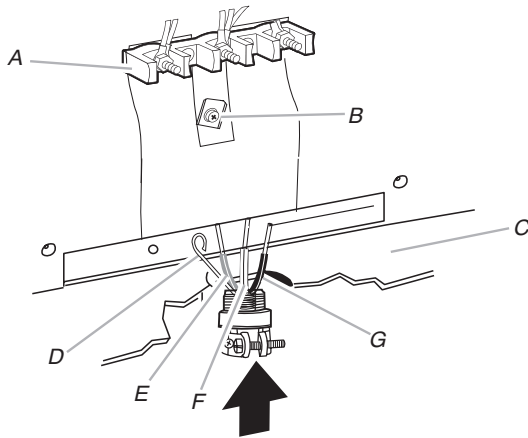
- Nouvelles installations sur circuit de dérivation (code NEC 1996)
- Résidences mobiles
- Véhicules récréatifs
- Zone où le code local interdit la mise à la terre par l'intermédiaire du neutre

1. Une partie de la barrette métallique de terre doit être coupée et retirée.



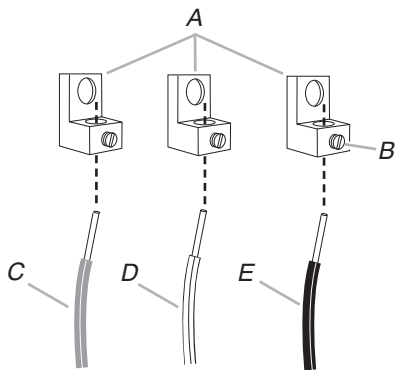
A. Barrette de liaison à la terre métallique
B. Partie à éliminer
C. Vis de liaison à la terre

2. À l'aide d'un tournevis cruciforme, retirer la vis de liaison à la terre à l'arrière de la cuisinière. Conserver la vis de liaison à la terre et l'extrémité de la liaison à la terre sous la vis.
3. Tirer les conducteurs à travers le serre-câbles au pied de la cuisinière. Laisser suffisamment de mou pour raccorder facilement le câblage au bornier.



A. Bornier
B. Vis de liaison à la terre
C. Plaque de cordon/conduit
D. Fil de mise à la terre nu (vert)
E. Conducteur de ligne 2 (rouge)
F. Conducteur du neutre (blanc)
G. Conducteur de ligne 1 (noir)

4. Connecter les cosse aux conducteurs des lignes 1 (noir), neutre (blanc) et 2 (rouge). Desserrer (ne pas enlever) la vis de réglage sur le devant de la cosse et insérer l'extrémité du conducteur nu jusqu'au fond des cosse. Bien serrer la vis de réglage au couple, comme indiqué dans le graphique suivant des spécifications de couple de conducteur nu.



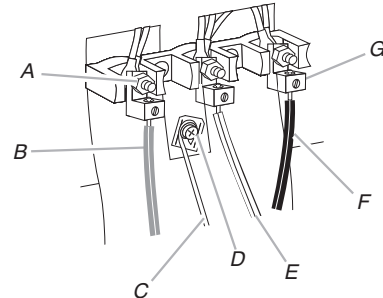
A. Cosse
B. Vis de blocage
C. Conducteur de ligne 2 (rouge)
D. Conducteur du neutre (blanc)
E. Conducteur de ligne 1 (noir)

Spécifications de couple pour les conducteurs nus

Serrage des cosse au bornier : 20 lb-po (2,3 N-m).

Calibre AWG	Couple
Conducteur de cuivre de calibre 8	25 lbs-po (2,8 N-m)
Conducteur d'aluminium de calibre 6	35 lbs-po (4,0 N-m)

5. Utilisez un tournevis cruciforme ou à tête hexagonale pour connecter le conducteur de mise à la terre nu (vert) à la cuisinière avec la vis de liaison à la terre et à la section de liaison à la terre. Le fil de mise à la terre doit être raccordé en premier et ne doit être en contact avec aucune autre borne.
6. À l'aide d'un tourne-écrou de 3/8" (1,0 cm), connecter le conducteur neutre (blanc) au plot central du bornier au moyen d'un des écrous hexagonaux n° 10-32.



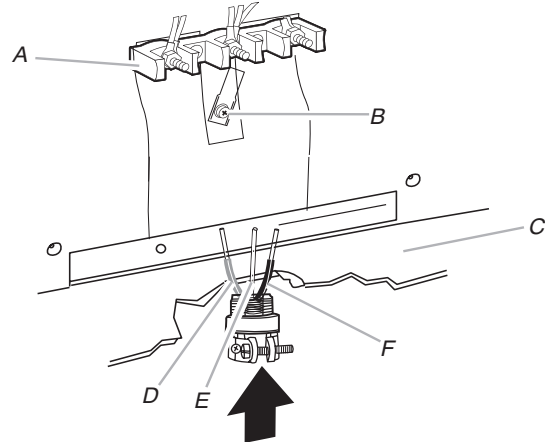
A. Écrou hexagonal 10-32
B. Ligne 2 (rouge)
C. Conducteur de mise à la terre nu (vert)
D. Vis de liaison à la terre
E. Conducteur neutre (blanc)
F. Ligne 1 (noir)
G. Cosse

7. Connectez les conducteurs de la ligne 2 (rouge) et de la ligne 1 (noir) aux bornes externes du bornier avec des écrous hexagonaux n° 10-32.
8. Bien serrer les écrous hexagonaux.
9. Réinstaller le couvercle du bornier.

Connexion à 3 conducteurs : Raccordement par câblage direct

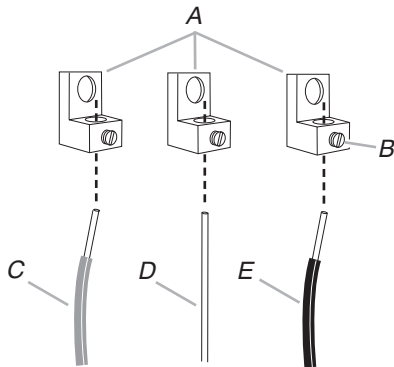
Utiliser cette méthode uniquement si les codes locaux autorisent la connexion du conducteur de mise à la terre au conducteur du neutre de l'alimentation.

1. Tirer le câblage à travers le conduit sur la plaque de cordon/conduit en bas de la cuisinière. Laisser suffisamment de mou pour raccorder facilement le câblage au bornier.



A. Bornier
B. Vis de liaison à la terre
C. Plaque de cordon/conduit
D. Conducteur de ligne 2 (rouge)
E. Conducteur de mise à la terre nu (vert)
F. Conducteur de ligne 1 (noir)

- Fixer les cosses aux conducteurs de la ligne 2 (rouge), de mise à la terre nu (vert) et de la ligne 1 (noir). Desserrer (ne pas enlever) la vis de réglage sur le devant de la cosse et insérer l'extrémité du conducteur nu jusqu'au fond des cosses. Bien serrer la vis de réglage au couple, comme indiqué dans le graphique suivant des spécifications de couple de conducteur nu.



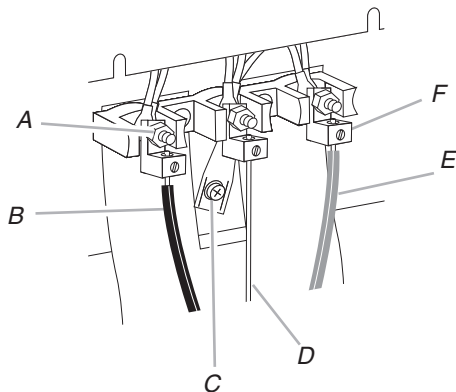
A. Cosse
B. Vis de blocage
C. Conducteur de ligne 2 (rouge)
D. Fil de mise à la terre nu (vert)
E. Conducteur de ligne 1 (noir)

Spécifications de couple pour les fils nus

Serrage des cosses au bornier : 20 lb-po (2,3 N-m).

Calibre AWG	Couple
Conducteur de cuivre de calibre 8	25 lbs-po (2,8 N-m)
Conducteur d'aluminium de calibre 6	35 lbs-po. (4,0 N-m)

- À l'aide d'un tourne-écrou de 3/8" (1,0 cm), connecter le conducteur neutre nu (vert) au plot central du bornier au moyen d'un des écrous hexagonaux n° 10-32.



A. Écrou hexagonal 10-32
B. Ligne 2 (rouge)
C. Vis de liaison à la terre
D. Conducteur de mise à la terre nu (vert)
E. Ligne 1 (noir)
F. Cosse

- Connectez les conducteurs de la ligne 2 (rouge) et de la ligne 1 (noir) aux bornes externes du bornier avec des écrous hexagonaux n° 10-32.
- Bien serrer les écrous hexagonaux.
- Réinstaller le couvercle du bornier.

Vérifier que la bride antibasculement est bien installée et engagée

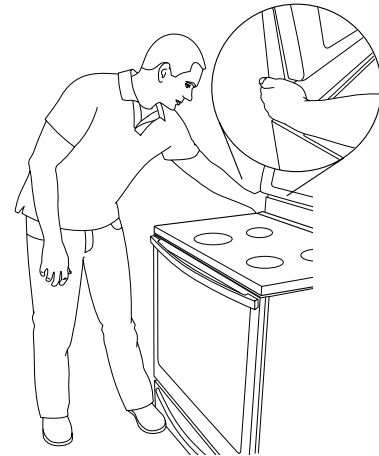
Sur les cuisinières avec tiroir de remisage :

- Retirer le tiroir de remisage. Voir la section "Enlever et remettre le tiroir".
- Au moyen d'une torche électrique, inspecter le dessous de la cuisinière.
- Vérifier visuellement que le pied arrière de la cuisinière se trouve dans la fente de la bride antibasculement.

Sur les cuisinières avec tiroir-réchaud ou tiroir de remisage de qualité supérieure :

- Placer l'extérieur du pied contre le bord inférieur avant du tiroir-réchaud ou tiroir de remisage de qualité supérieure, puis saisir le côté inférieur droit ou gauche du tableau de commande comme indiqué

REMARQUE : Si le comptoir comporte un dossier, il faudra peut-être saisir la cuisinière plus haut que ce qu'indique l'illustration.



- Tenter d'incliner la cuisinière vers l'avant avec précaution. S'il y a immédiatement une résistance, le pied de la cuisinière est engagé dans la bride antibasculement.
- Si l'arrière de la cuisinière se soulève de plus de 1/2" (1,3 cm) du plancher sans opposer de résistance, cesser d'incliner la cuisinière et la reposer doucement sur le plancher. Le pied de la cuisinière n'est pas engagé dans la bride antibasculement.

IMPORTANT : Si l'on entend un claquement ou un bruit d'éclatement lorsqu'on soulève la cuisinière, cela signifie peut-être que la cuisinière n'est pas bien engagée dans la bride. Vérifier qu'aucun obstacle n'empêche la cuisinière de glisser jusqu'au mur ou le pied de la cuisinière de glisser dans la bride. Vérifier que la bride est fermement maintenue en place par les vis de montage.

- Glisser la cuisinière vers l'avant et vérifier que la bride antibasculement est bien fixée au plancher ou au mur.
- Faire glisser de nouveau la cuisinière de façon à ce que son pied arrière se trouve dans la fente de la bride antibasculement.

IMPORTANT : Si l'arrière de la cuisinière se trouve à plus de 2" (5,1 cm) du mur de montage, cela signifie que le pied arrière de la cuisinière n'est peut-être pas engagé dans la bride. Glisser la cuisinière vers l'avant et déterminer si un objet fait obstruction entre la cuisinière et la paroi de montage. Pour assistance ou un entretien, consulter la section "Assistance ou service" du guide d'utilisation et d'entretien, la couverture ou la section "Garantie" des instructions d'utilisation pour obtenir les coordonnées des personnes à contacter.

- Répéter les étapes 1 et 2 pour s'assurer que le pied de la cuisinière est bien engagé dans la bride antibasculement.

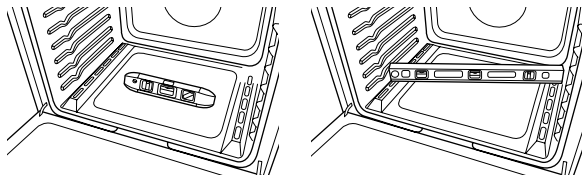
Si l'arrière de la cuisinière se soulève de plus de 1/2" (1,3 cm) du plancher sans opposer de résistance, cela peut signifier que la bride antibasculement n'est pas correctement installée. Ne pas faire fonctionner la cuisinière si la bride antibasculement n'est pas installée et engagée. Consulter la section "Assistance ou Service" du guide d'utilisation et d'entretien, la couverture ou la section "Garantie" des instructions d'utilisation pour obtenir les coordonnées des personnes à contacter.

Réglage de l'aplomb de la cuisinière

Déterminer si la cuisinière est munie de la technologie AquaLift® ou Steam Clean (nettoyage à la vapeur) en consultant la section "Entretien de la cuisinière" des instructions d'utilisation.

Pour les cuisinières équipées de la technologie AquaLift® ou Steam Clean (nettoyage à la vapeur) :

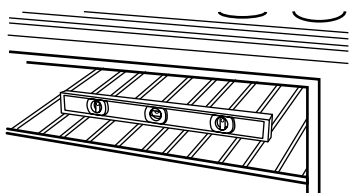
1. En fonction de la taille du niveau, le placer sur le bas du four comme indiqué dans l'une des deux figures ci-dessous. Contrôler l'aplomb transversal et dans le sens avant/arrière.



2. Si la cuisinière n'est pas d'aplomb, la tirer de nouveau pour que le pied de nivellement arrière se dégage de la bride antibasculement.
3. Suivre les instructions fournies pour le type 1 ou 2, en fonction du type de tiroir fourni avec la cuisinière.

Pour les cuisinières qui ne possèdent pas la technologie AquaLift® ou Steam Clean (nettoyage à la vapeur) :

1. Placer une grille plate dans le four.
2. Placer un niveau sur la grille et contrôler l'aplomb de la cuisinière, d'abord transversalement, puis dans le sens avant/arrière.



3. Si la cuisinière n'est pas d'aplomb, la tirer de nouveau pour que le pied de nivellement arrière se dégage de la bride antibasculement.
4. Suivre les instructions fournies pour le type 1 ou 2, en fonction du type de tiroir fourni avec la cuisinière.

Style 1 : Cuisinières avec tiroir de remisage :

Utiliser une clé à cliquet de 1/4" (6,4 mm), une clé ou une pince pour régler les pieds de nivellement vers le haut ou vers le bas jusqu'à ce que la cuisinière soit d'aplomb. Repousser la cuisinière pour la remettre en place. Vérifier que le pied de nivellement arrière est engagé dans la bride antibasculement.

Style 2 : Cuisinières avec tiroir-réchaud ou tiroir de remisage de qualité supérieure :

Utiliser une clé ou une pince pour régler les pieds de nivellement vers le haut ou vers le bas jusqu'à ce que la cuisinière soit d'aplomb. Repousser la cuisinière pour la remettre en place. Vérifier que le pied de nivellement arrière est engagé dans la bride antibasculement.

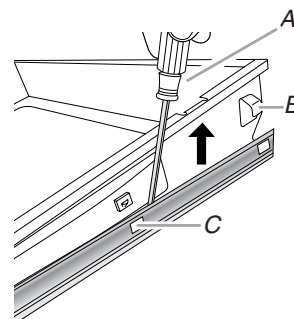
REMARQUE : La cuisinière doit être d'aplomb pour que les résultats de cuisson au four soient satisfaisants et les résultats de nettoyage idéaux avec les fonctions de technologie AquaLift® et Steam Clean (nettoyage à la vapeur).

Tiroir-réchaud ou tiroir de remisage de qualité supérieure (sur certains modèles)

Enlever tous les objets du tiroir-réchaud ou tiroir de remisage de qualité supérieure et laisser la cuisinière refroidir complètement avant d'essayer d'enlever le tiroir.

Pour enlever :

1. Ouvrir complètement le tiroir-réchaud ou tiroir de remisage de qualité supérieure.
2. À l'aide d'un tournevis à lame plate, desserrer doucement le tiroir-réchaud ou le tiroir de remisage de qualité supérieure pour le dégager de l'encoche d'alignement de la glissière et soulever l'onglet d'alignement du tiroir pour le dégager de la glissière.

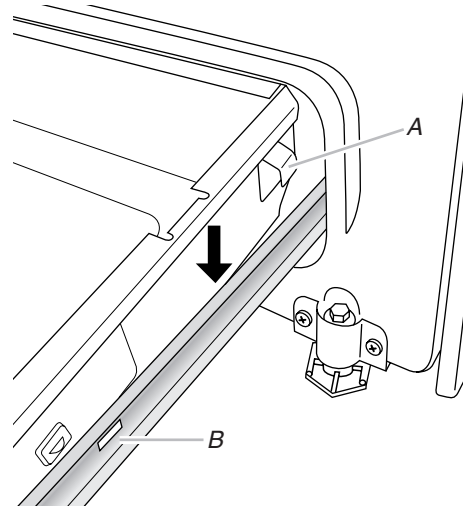


A. Tournevis à lame plate
B. Onglet d'alignement du tiroir
C. Encoche de glissière de tiroir

3. Répéter l'étape 2 pour l'autre côté. Le tiroir-réchaud ou le tiroir de remisage de qualité supérieure n'est plus fixé aux glissières de tiroir. Avec les deux mains, saisir le tiroir-réchaud ou le tiroir de remisage de qualité supérieure pour le retirer complètement.

Pour remplacer :

1. Aligner les encoches de l'avant du tiroir avec les encoches des glissières latérales à l'intérieur du tiroir (de chaque côté). Placer les onglets d'alignements arrière dans les glissières de tiroir (de chaque côté).



A. Onglet d'alignement du tiroir
B. Encoche de glissière de tiroir

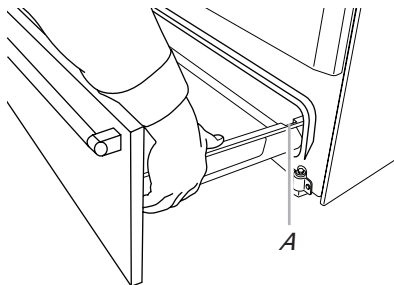
2. Pousser complètement le tiroir-réchaud ou tiroir de remisage de qualité supérieure.
3. Ouvrir et fermer délicatement le tiroir-réchaud ou tiroir de remisage de qualité supérieure pour s'assurer qu'il est bien engagé dans les glissières.

Tiroir de remisage (sur certains modèles)

Le tiroir de remisage peut être enlevé. Avant de l'enlever, s'assurer que le tiroir est froid et vide.

Pour enlever :

1. Tirer le tiroir de remisage en ligne droite vers l'arrière jusqu'à la butée du tiroir.

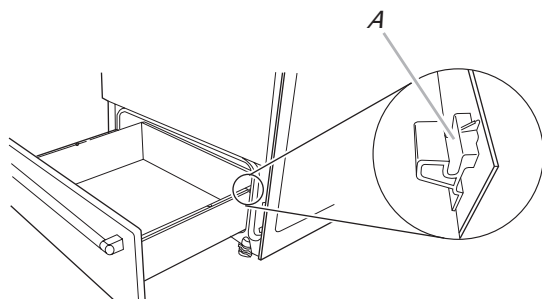


B. Butée de tiroir

2. Soulever l'avant du tiroir et retirer ce dernier.

Pour replacer :

1. Soulever l'avant du tiroir et placer l'arrière du tiroir dans la cuisinière de façon à ce que l'encoche de butée du tiroir se trouve derrière la glissière du tiroir.
2. Abaisser le tiroir de façon à ce que le bord de la glissière s'insère dans l'encoche de la glissière de tiroir.
3. Enfoncer lentement le tiroir dans la cuisinière.



A. Engager la glissière du tiroir.

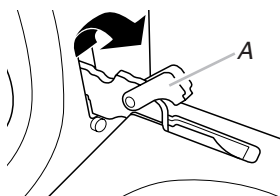
REMARQUE : Lorsque le tiroir est correctement installé, les glissières de la base s'engagent dans les glissières arrière du fond du tiroir et le tiroir lui-même ne s'incline pas lorsqu'on place des objets à l'intérieur.

Porte du four

Il n'est pas recommandé d'enlever la porte du four pour une utilisation normale. Toutefois, s'il est nécessaire de l'enlever, s'assurer que le four est éteint et froid. Ensuite, suivre les instructions ci-dessous. La porte du four est lourde.

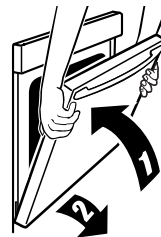
Pour enlever :

1. Ouvrir la porte du four complètement.
2. Pincer le loquet de charnière entre les deux doigts et le tirer vers l'avant. Répéter cette opération pour l'autre côté de la porte du four.



A. Loquet de charnière

3. Fermer la porte du four aussi loin que possible.
4. Soulever la porte du four en la retenant de chaque côté. Continuer de maintenir la porte du four fermée et la dégager du châssis de la porte du four.



Pour replacer :

1. Insérer les deux bras de suspension dans la porte.



2. Ouvrir la porte du four.
On devrait entendre un dé clic lors de la mise en place de la porte.
3. Remettre les leviers des charnières à la position verrouillée. Vérifier que la porte s'ouvre et se ferme facilement. Si ce n'est pas le cas, répéter la procédure pour enlever et reposer la porte.

Terminer l'installation

1. Vérifier que toutes les pièces sont maintenant installées. S'il reste une pièce, passer en revue les différentes étapes pour découvrir laquelle aurait été oubliée.
2. Vérifier la présence de tous les outils.
3. Éliminer/recycler tous les matériaux d'emballage.
4. Vérifier que la cuisinière est d'aplomb. Voir la section "Réglage de l'aplomb de la cuisinière".
5. Utiliser une solution d'eau tiède et de nettoyant ménager doux pour éliminer tout résidu de cire laissé par les matériaux d'emballage. Sécher soigneusement avec un chiffon doux. Pour plus d'informations, consulter la section "Entretien de la cuisinière" dans le Guide d'utilisation et d'entretien ou les instructions d'utilisation.
6. Lire la section "Entretien de la cuisinière" du Guide d'utilisation et d'entretien ou des instructions d'utilisation.
7. Brancher le cordon électrique dans la prise de courant appropriée. Mettre l'appareil sous tension.
8. Mettre en marche les brûleurs de surface et le four. Consulter le Guide d'utilisation et d'entretien ou les instructions d'utilisation pour des instructions spécifiques sur le fonctionnement de la cuisinière.

Si la cuisinière ne fonctionne pas, contrôler ce qui suit :

- Les fusibles du domicile sont intacts et serrés; le disjoncteur n'est pas déclenché.
- La cuisinière est branchée sur une prise électrique.
- La prise de courant est correctement alimentée.
IMPORTANT : Si le tableau de commande de la cuisinière affiche le code d'erreur F9 ou F9 E0, cela peut signifier que le câblage de la prise électrique est défectueux. Demander à un électricien qualifié d'inspecter le circuit d'alimentation électrique.
- Voir la section "Dépannage" dans le guide d'utilisation et d'entretien ou les instructions d'utilisation.

Après 5 minutes de fonctionnement de la cuisinière, vérifier la chaleur. Si la cuisinière est froide, l'éteindre et contacter un technicien qualifié.

Déplacement de la cuisinière

AVERTISSEMENT



Risque de basculement

Un enfant ou une personne adulte peut faire basculer la cuisinière, ce qui peut causer un décès.

Fixer la bride antibasculement au plancher ou au mur, conformément aux instructions d'installation.

Faire glisser de nouveau la cuisinière de façon à ce que le pied arrière de la cuisinière se trouve dans la fente de la bride antibasculement.

Réengager la bride antibasculement si la cuisinière a été déplacée.

Ne pas faire fonctionner la cuisinière si la bride antibasculement n'est pas installée et engagée.

Le non-respect de ces instructions peut causer un décès ou des brûlures graves aux enfants et aux adultes.

Lorsqu'on déplace la cuisinière, la faire glisser sur une planche de carton ou en matériau dur pour éviter d'endommager le revêtement du sol.

Si le déplacement de la cuisinière est nécessaire pour le nettoyage ou l'entretien :

Cuisinières alimentées par cordon d'alimentation :

1. Faire glisser la cuisinière vers l'avant.
2. Débrancher le cordon d'alimentation électrique.
3. Effectuer le nettoyage ou l'entretien.
4. Brancher le cordon d'alimentation électrique.
5. Vérifier que la bride antibasculement est bien installée et engagée. Reportez-vous à la section "Vérifier que la bride antibasculement est bien installée et engagée".
6. Vérifier que la cuisinière est d'aplomb.

Pour les cuisinières avec câblage direct :

AVERTISSEMENT



Risque de choc électrique

Déconnecter la source de courant électrique avant l'entretien.

Replacer pièces et panneaux avant de faire la mise en marche.

Le non-respect de ces instructions peut causer un décès ou un choc électrique.

1. Déconnecter la source de courant électrique.
2. Faire glisser la cuisinière vers l'avant.
3. Effectuer le nettoyage ou l'entretien.
4. Vérifier que la bride antibasculement est bien installée et engagée. Reportez-vous à la section "Vérifier que la bride antibasculement est bien installée et engagée".
5. Vérifier que la cuisinière est d'aplomb.
6. Rétablir l'alimentation électrique.

SEGURIDAD DE LA COCINA

Su seguridad y la seguridad de los demás es muy importante.

Hemos incluido muchos mensajes importantes de seguridad en este manual y en su electrodoméstico. Lea y obedezca siempre todos los mensajes de seguridad.



Este es el símbolo de alerta de seguridad.

Este símbolo le llama la atención sobre peligros potenciales que pueden ocasionar la muerte o una lesión a usted y a los demás.

Todos los mensajes de seguridad irán a continuación del símbolo de advertencia de seguridad y de la palabra "PELIGRO" o "ADVERTENCIA". Estas palabras significan:

⚠ PELIGRO

Si no sigue las instrucciones de inmediato, usted puede morir o sufrir una lesión grave.

⚠ ADVERTENCIA

Si no sigue las instrucciones, usted puede morir o sufrir una lesión grave.

Todos los mensajes de seguridad le dirán el peligro potencial, le dirán cómo reducir las posibilidades de sufrir una lesión y lo que puede suceder si no se siguen las instrucciones.

⚠ ADVERTENCIA

Peligro de Vuelco

Un niño o un adulto puede volcar accidentalmente la estufa y resultar muerto.

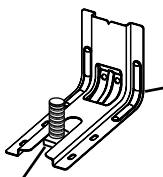
Instale el soporte anti-vuelco al piso o a la pared según las instrucciones de instalación.

Deslice la estufa hacia atrás de modo que la pata trasera quede enganchada en la ranura del soporte anti-vuelco.

Si traslada de lugar la estufa, vuelva a asegurar el soporte anti-vuelco.

No ponga a funcionar la estufa sin tener el soporte anti-vuelco instalado y asegurado.

No seguir estas instrucciones puede ocasionar la muerte o quemaduras graves en niños y adultos.



Soporte anti-vuelco

Pata de la estufa

Para verificar que el soporte anti-vuelco esté instalado y asegurado:

- Deslice la estufa hacia adelante.
- Verifique que el soporte anti-vuelco esté bien sujeto al piso o a la pared.
- Deslice la estufa hacia atrás de modo que la pata trasera quede debajo del soporte anti-vuelco.
- Consulte las instrucciones de instalación para ver más detalles.

REQUISITOS DE INSTALACIÓN

Herramientas y piezas

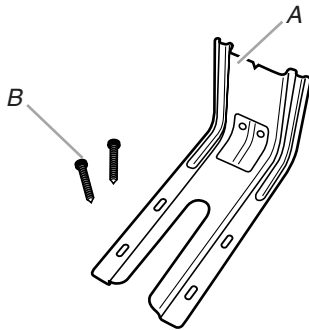
Reúna las herramientas y las piezas necesarias antes de comenzar la instalación. Lea y siga las instrucciones provistas con cualquiera de las herramientas detalladas aquí.

Herramientas necesarias

- Cinta métrica
- Destornillador de cabeza plana
- Destornillador Phillips
- Nivelada
- Martillo
- Taladro manual o eléctrico
- Llave o pinza
- Marcador o lápiz
- Cinta adhesiva protectora
- Trinquete de 1/4" (6,4 mm)
- Sacatuercas de 1/4" (6,4 mm)
- Sacatuercas de 3/8" (1 cm) y 5/16" (7,9 mm)
- Broca de 1/8" (3,2 mm) (para pisos de madera)

Piezas suministradas

Verifique que estén todas las piezas.



A. Soporte antivuelco
B. Tornillos n° 12 x 1 5/8" (4,1 cm) (2)

- El soporte anti-vuelco debe estar montado firmemente al piso o a la pared. Según el espesor del piso, es posible que sea necesario utilizar tornillos más largos para sujetar el soporte al piso.

Piezas necesarias

Si se usa un kit de cable de suministro eléctrico:

- Un kit de cable de suministro eléctrico homologado por UL marcado para uso con cocinas. El cable debe estar clasificado para 250 V como mínimo, 40 A o 50 A, marcado para el uso con una abertura de conexión de diámetro nominal de 1 3/8" (3,5 cm) y debe terminar en terminales de anillo o de horquilla con extremo abierto con los extremos vueltos hacia arriba.
- Un protector de cables que esté en la lista de UL.

Verifique los códigos locales. Compruebe el suministro eléctrico existente. Consulte la sección "Requisitos eléctricos".

Es recomendable que todas las conexiones eléctricas sean hechas por un instalador eléctrico calificado autorizado.

Requisitos de ubicación

IMPORTANTE: Respete todos los códigos y las ordenanzas vigentes.

- Es responsabilidad del instalador cumplir con los espacios de instalación especificados en la placa que indica modelo/serie/valores nominales. La placa que indica modelo/serie/valores nominales está ubicada en el marco detrás de una esquina superior de la puerta o en alguno de los costados del cajón.
- Para eliminar el riesgo de quemaduras o incendio al tocar unidades con la superficie demasiado caliente, deberá evitarse el uso de gabinetes de almacenaje encima de las unidades. Si van a proveerse armarios, puede reducir el riesgo instalando una capota de ventilación o una combinación micoondas campana, que se proyecte horizontalmente un mínimo de 5" (12,7 cm) sobresaliendo de la base de los armarios.
- Deben usarse las dimensiones de la abertura del gabinete que se muestran. Las dimensiones proporcionadas son los espacios mínimos.
- Debe instalarse el soporte antivuelco. Para instalar el soporte antivuelco enviado con la cocina, consulte la sección "Instalación del soporte antivuelco".
- Se requiere un suministro eléctrico conectado a tierra. Consulte la sección "Requisitos eléctricos".

IMPORTANTE: Para evitar daños a los armarios, consulte al constructor o al distribuidor de los armarios para asegurarse de que los materiales empleados no cambien de color, no se desprenda el laminado ni sufran ningún otro tipo de daño. Este horno fue diseñado de acuerdo con los requisitos de UL y CSA International y cumple con las temperaturas máximas permitidas para gabinetes de madera de 194 °F (90 °C).

Requisitos de instalación adicionales para casas rodantes

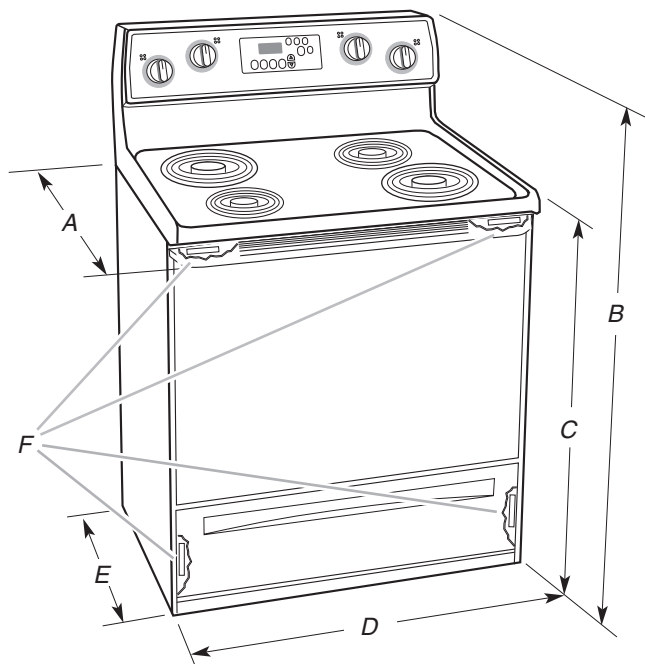
La instalación de esta cocina debe ajustarse a la Norma para la construcción y la seguridad de casas fabricadas, título 24 CFR, parte 3280 (antes, Norma federal para la construcción y la seguridad de casas rodantes, título 24, HUD parte 280). Cuando no sea aplicable esa norma, use la Norma para instalaciones en casas fabricadas, ANSI A225.1/NFPA 501A o respete los códigos locales.

En Canadá, la instalación de esta cocina debe hacerse conforme a las normas vigentes CAN/CSA-Z240, edición más reciente, o los códigos locales.

Las instalaciones en casas rodantes necesitan:

- Cuando se instale esta cocina en una casa rodante, deberá asegurarse según las instrucciones de este documento.
- Para la instalación en una casa rodante, deberá usarse un cable de suministro eléctrico de cuatro hilos. Deberá revisarse el cableado del aparato. Consulte la sección "Conexión eléctrica, EE.UU. solamente".

Dimensiones del producto



- A. Profundidad máxima con manija: 27³/₄" (70,5 cm)
- B. 46⁷/₈" (119,1 cm) de altura general (máx.) con las patas niveladoras completamente atornilladas.*
- C. 36" (91,4 cm) de altura (máx.) de la superficie de cocción con las patas niveladoras completamente atornilladas*
- D. 29⁷/₈" (75,9 cm) de ancho
- E. 25⁵/₁₆" (64,3 cm) de profundidad desde la parte posterior de la cocina hasta el frente de la superficie de cocción**
- F. Placa que indica modelo/serie/valores nominales (ubicada en el marco detrás de una esquina superior de la puerta o en alguno de los costados del cajón)

IMPORTANTE: La cocina debe ser nivelada después de la instalación. Siga las instrucciones de la sección "Nivelación de la cocina". No se recomienda usar la superficie de cocción como referencia para nivelar la cocina.

* La cocina se puede elevar aproximadamente 1" (2,5 cm) mediante la regulación de las patas niveladoras.

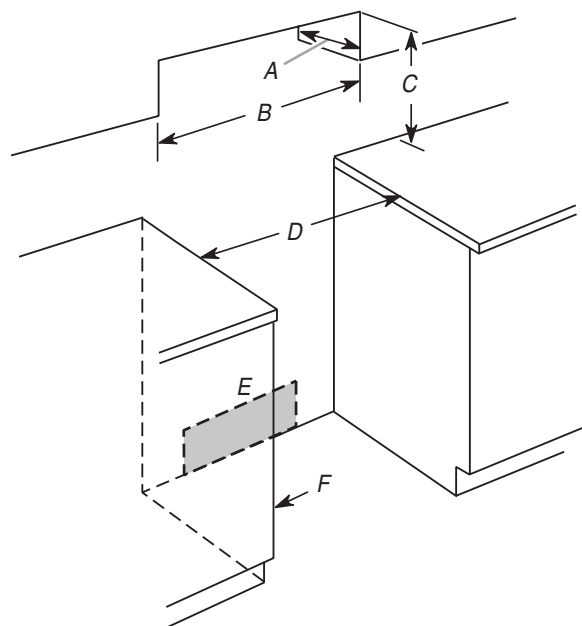
**El frente de la puerta y el cajón se pueden extender más hacia adelante, dependiendo del estilo.

Dimensiones del gabinete

Las dimensiones de la abertura del gabinete que se muestran son para una profundidad del mostrador de 25" (64,0 cm), una profundidad del gabinete de la base de 24" (61,0 cm) y una altura del mostrador de 36" (91,4 cm).

IMPORTANTE: Si va a instalar una campana para cocina o una combinación de microondas y campana sobre la superficie de cocción, siga las instrucciones de instalación incluidas con la campana para cocina o la combinación de microondas y campana para ver las medidas de los espacios sobre la superficie de cocción.

Una cocina independiente puede instalarse próxima a paredes combustibles con una separación cero.



- A. Profundidad máx. del gabinete superior: 13" (33,0 cm)
- B. Ancho (mín.) de la abertura: 30" (76,2 cm)
- C. Para ver el espacio mínimo hasta la parte superior de la superficie de cocción, consulte la NOTA*
- D. 30" (76,2 cm) de ancho mínimo de abertura
- E. Salida: 8" (20,3 cm) a 22" (55,9 cm) desde cualquiera de los armarios, 7" (17,8 cm) máx. desde el piso.
- F. La puerta o las bisagras del armario no deben extenderse dentro del área del recorte.

***NOTA:** 24" (61,0 cm) como mínimo cuando la base del gabinete de madera o de metal esté cubierta por madera moldeada retardante de llama de al menos 1/4" (6,4 mm), cubierta con una lámina de acero no inferior a N.º 28 MSG, acero inoxidable de 0,015" (0,4 mm), aluminio de 0,024" (0,6 mm) o cobre de 0,020" (0,5 mm).

30" (76,2 cm) de espacio mínimo entre la parte superior de la plataforma de la superficie de cocción y la base de un gabinete de madera o metal descubierto.

Requisitos eléctricos

Requisitos eléctricos, en EE. UU. únicamente

Si los códigos lo permiten y se emplea un cable de conexión a tierra separado, es recomendable que un instalador eléctrico calificado determine si la ruta de conexión a tierra y el calibre del cable están de acuerdo con los códigos locales.

No use un cable eléctrico de extensión.

Asegúrese de que la conexión eléctrica y el tamaño del cable sean adecuados y de que cumplan con el Código nacional de electricidad (National Electrical Code), ANSI/NFPA 70, edición más reciente, y con todos los códigos y las ordenanzas locales.

Puede obtener una copia de las normas de los códigos antes indicados en:

National Fire Protection Association
1 Batterymarch Park
Quincy, MA 02169-7471

ADVERTENCIA: La conexión incorrecta del conductor de conexión a tierra del equipo puede dar como resultado el riesgo de un choque eléctrico. Si no está seguro de que la conexión a tierra del aparato sea la adecuada, verifíquela con un electricista o un técnico de servicio calificado. No modifique el enchufe del cable de suministro eléctrico. Si no encaja en el tomacorriente, consulte con un electricista calificado para instalar un tomacorriente adecuado.

Conexión eléctrica

Para instalar la cocina correctamente, se debe determinar el tipo de conexión eléctrica que se va a usar y seguir las instrucciones que aquí se proveen para el caso.

- La cocina debe estar conectada al voltaje eléctrico y frecuencia apropiados según se especifica en la placa con el número de clasificación del modelo/serie. La placa que indica modelo/serie/valores nominales está ubicada en el marco detrás de una esquina superior de la puerta o en alguno de los costados del cajón. Consulte las ilustraciones en "Dimensiones del producto" en la sección "Requisitos de ubicación".
- Esta cocina se fabrica con el terminal neutro conectado al armario. Use un cable de suministro eléctrico de 3 hilos, homologado por UL, de 40 A o 50 A (flexible) (consulte la tabla de clasificaciones de cocinas a continuación). Si los códigos locales no permiten la conexión a tierra a través del neutro, use un cable de suministro eléctrico de 4 hilos clasificado para 250 V, 40 A o 50 A y probado para el uso con cocinas.

Valores nominales de la cocina*		Valores nominales del kit de cable de suministro eléctrico y protección del circuito
120/240 V	120/208 V	A
8,8 - 16,5 KW	7,8 - 12,5 KW	40 o 50**
16,6 - 22,5 KW	12,6 - 18,5 KW	50

*La carga calculada de NEC (Código Nacional Eléctrico, por sus siglas en inglés) es menor que la carga conectada total que se indica en la placa de clasificación de modelo/serie.

**Si se conecta a un circuito de 50 A, use un cable clasificado para 50 A con el kit. Para kits de cable clasificados para 50 A, use kits que especifiquen el uso con una abertura de conexión de diámetro nominal de 1 3/8" (3,5 cm).

- Se recomienda usar un disyuntor.
- La cocina se puede conectar directamente a una caja de disyuntores (o un desconectador con fusible) a través de un cable flexible o con forro no metálico, de cobre o aluminio. Consulte la sección "Conexión eléctrica, EE. UU. solamente".

- Deje de 2 a 3 pies (61,0 cm a 91,4 cm) extra en la línea para que se pueda mover la cocina en el caso que alguna vez sea necesario darle servicio.
- Debe colocar un conector de conducto homologado por UL en cada extremo del cable de suministro eléctrico (en la cocina y en la caja de empalmes).
- El tamaño de los hilos y las conexiones deben cumplir con la clasificación de la cocina.
- El diagrama de cableado está en la ficha técnica.
- La ficha técnica está en la parte posterior de la cocina, dentro de una bolsa plástica transparente.

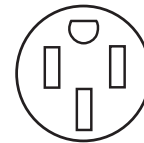
Si se va a conectar a un sistema de 4 hilos:

Esta cocina ha sido fabricada con la conexión a tierra conectada al neutro por medio de un enlace. Se debe revisar la conexión a tierra para verificar que el hilo verde de puesta a tierra del cable de suministro eléctrico de 4 hilos esté conectado a la carcasa. Consulte la sección "Conexión eléctrica, EE.UU. solamente".

Está prohibido realizar la conexión a tierra a través del conductor neutro para las nuevas instalaciones de circuito derivado (1996 NEC), las casas rodantes y los vehículos de recreación, o en un área donde los códigos locales prohíban la conexión a tierra a través del conductor neutro.

Cuando usa un receptáculo de 4 hilos Tipo NEMA 14-50R, debe usar un cable de suministro eléctrico homologado por UL para cocinas (flexible), de 4 hilos, 250 V y 40 A o 50 A. Este cable contiene 4 conductores de cobre con terminales de anillo o de horquilla con extremos abiertos y hacia arriba, terminado en un enchufe Tipo NEMA 14-50P en el extremo de suministro eléctrico.

El cuarto conductor (de conexión a tierra) debe estar identificado con una cubierta verde o verde/amarilla y el conductor neutro debe estar identificado con una cubierta blanca. El cable debe ser del tipo SRD o SRDT, con protector de cables aprobado por UL y de al menos 4 pies (1,22 m) de longitud.



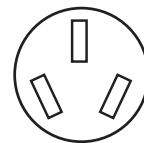
Tomacorriente de 4 hilos (14-50R)

Los tamaños mínimos para conductores del cable eléctrico de 4 hilos de cobre son:

Circuito de 40 A
2 conductores N.º-8
1 neutral blanco N.º.-10
1 de conexión a tierra verde N.º.-8

Si se va a conectar a un sistema de 3 hilos:

Es posible que los códigos locales permitan el uso de un cable de suministro eléctrico homologado por UL de 3 hilos, 250 V, 40 A o 50 A (flexible). Este cable contiene 3 conductores de cobre con terminales de anillo o de horquilla con extremos abiertos y hacia arriba, terminado en un enchufe tipo NEMA 10-50P en el extremo de suministro eléctrico. Los conectores del extremo del aparato deben estar en el punto en que el cable de suministro eléctrico ingresa al aparato. Para ello, se usa un receptáculo de 3 hilos de Tipo NEMA 10-50R.



Tomacorriente de 3 hilos (10-50R)

⚠️ ADVERTENCIA



Peligro de Choque Eléctrico

Conecte la estufa a tierra.

No seguir estas instrucciones puede ocasionar la muerte, incendio o choque eléctrico.

Si los códigos lo permiten y utiliza un cable de conexión a tierra separado, es recomendable que un instalador eléctrico competente determine si la ruta de conexión a tierra y el calibre del cable cumplen con los códigos locales.

Asegúrese de que la conexión eléctrica y el tamaño del cable sean adecuados y cumplan con el Estándar CSA C22.1, Código Canadiense de Electricidad, Parte 1, (su edición más reciente), y con todos los códigos y las ordenanzas locales.

Puede obtener una copia de las normas de los códigos antes indicados en:

Canadian Standards Association (Asociación canadiense de normalización)
178 Rexdale Blvd.
Toronto, ON M9W 1R3 CANADÁ

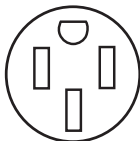
- Si no está seguro de que la conexión a tierra de la cocina sea adecuada, verifíquela con un instalador eléctrico competente.

Valores nominales de la cocina*		Valores nominales del kit de cable de suministro eléctrico y protección del circuito
120/240 V	120/208 V	A
8,8 - 16,5 KW	7,8 - 12,5 KW	40 o 50**
16,6 - 22,5 KW	12,6 - 18,5 KW	50

*La carga calculada por el Código eléctrico nacional (NEC) es inferior a la carga conectada total indicada en la placa de modelo/serie/valores nominales.

**Si se conecta a un circuito de 50 A, use un cable clasificado para 50 A con el kit. Para kits de cable clasificados para 50 A, use kits que especifique el uso con una abertura de conexión de 1³/₈" (3,5 cm) de diámetro nominal.

- Se recomienda un fusible retardador o un disyuntor.
- La cocina está equipada con un Cable eléctrico certificado por CSA International que debe enchufar en un receptáculo de pared 14-50R estándar. Procure que el receptáculo de pared esté cerca de la ubicación final de la cocina.



- No use un cable eléctrico de extensión.

INSTRUCCIONES DE INSTALACIÓN

Desembale la cocina

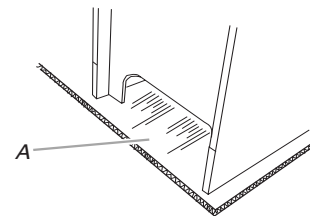
⚠️ ADVERTENCIA

Peligro de peso excesivo

Use dos o más personas para mover e instalar la estufa.

No seguir esta instrucción puede ocasionar una lesión en la espalda u otro tipo de lesiones.

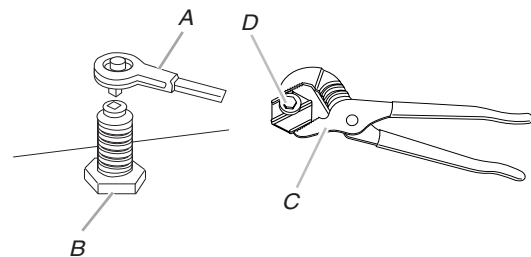
1. Quite los materiales de envío, la cinta adhesiva y la película de la cocina.
2. Saque las parrillas del horno y el paquete de piezas del interior del horno.
3. No quite la base de transporte en este momento.



A. Base de envío

4. En las cocinas con un cajón de almacenamiento:

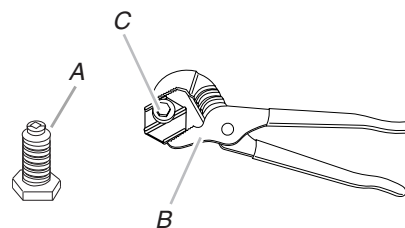
Retire el cajón de almacenamiento. Consulte la sección "Cajón de almacenamiento". Use un trinquete de 1/4" (6,4 mm) para descender las patas niveladoras traseras media vuelta. Use una llave o pinzas para bajar las patas niveladoras delanteras media vuelta.



A. Trinquete de 1/4" (6,4 mm) C. Llave o pinza
B. Pata niveladora posterior D. Pata niveladora delantera

En las cocinas con un cajón de calentamiento o cajón de almacenamiento premium:

En las cocinas con un cajón de calentamiento o cajón de almacenamiento premium, no se puede acceder a las patas posteriores retirando el cajón de calentamiento o el cajón de almacenamiento premium. Será necesario regular las patas posteriores desde el exterior de la cocina. Use una llave o pinzas para bajar las patas niveladoras delanteras y posteriores una vuelta y media.



A. Pata niveladora posterior
B. Llave o pinza
C. Pata niveladora delantera

Instalación del soporte antivuelco

⚠️ ADVERTENCIA



Peligro de Vuelco

Un niño o un adulto puede volcar accidentalmente la estufa y resultar muerto.

Instale el soporte anti-vuelco al piso o a la pared según las instrucciones de instalación.

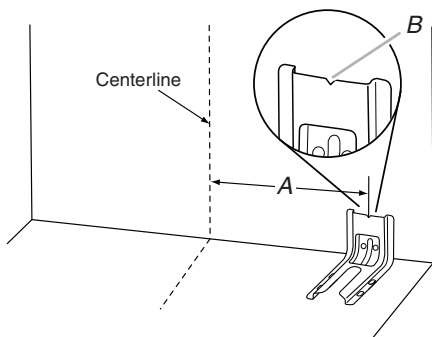
Deslice la estufa hacia atrás de modo que la pata trasera quede enganchada en la ranura del soporte anti-vuelco.

Si traslada de lugar la estufa, vuelva a asegurar el soporte anti-vuelco.

No ponga a funcionar la estufa sin tener el soporte anti-vuelco instalado y asegurado.

No seguir estas instrucciones puede ocasionar la muerte o quemaduras graves en niños y adultos.

1. Retire el soporte antivuelco de donde está fijado con cinta adhesiva dentro del cajón de calentamiento o cajón de almacenamiento.
2. Decida qué método de montaje usará: en el piso o en la pared.
Si tiene piso de piedra o de mampostería, puede usar el método de montaje en la pared. Si instala la cocina en una casa rodante, deberá fijarla al piso.
3. Determine y marque la línea central del espacio del recorte. Puede instalar el soporte de montaje en el lado izquierdo o derecho del área recortada. Ubique el soporte de montaje contra la pared en el recorte de modo que la muesca en V del soporte esté a $12 \frac{9}{16}$ " (31,9 cm) de la línea central, como se muestra.

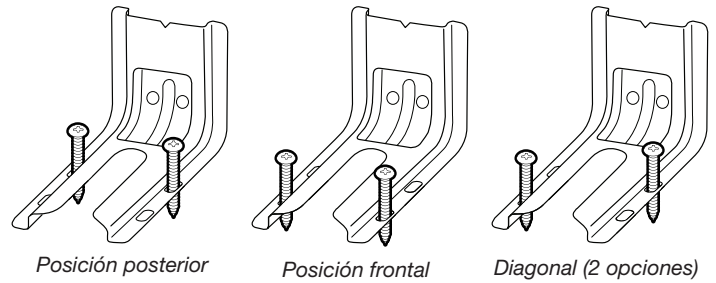


A. $12 \frac{9}{16}$ " (31,9 cm)

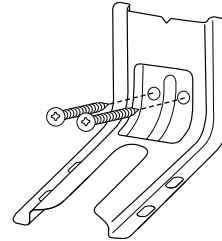
B. Muesca en V del soporte

4. Taladre dos orificios de $\frac{1}{8}$ " (3 mm), que coincidan con los orificios del soporte para el método de montaje que haya determinado. Consulte las ilustraciones a continuación.

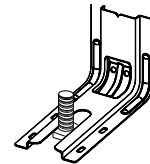
Montaje a través del piso



Montaje a través de la pared



5. Con un destornillador Phillips, monte el soporte antivuelco a la pared o piso con los dos tornillos n.º 12 x $1\frac{1}{8}$ " (4,1 cm) que se suministran.
6. Mueva la cocina lo suficientemente cerca de la abertura como para permitir que se hagan las conexiones eléctricas finales. Quite la base de transporte, cartón o madera que se encuentra debajo de la cocina.
7. Mueva la cocina a su ubicación final, asegurándose de que la pata niveladora trasera se deslice en el soporte anti-vuelco.



8. Mueva la cocina hacia delante sobre la base de transporte, el cartón o la madera para continuar instalándola usando las instrucciones de instalación a continuación.

Conexión eléctrica, en EE. UU. únicamente

Cable de suministro eléctrico

⚠ ADVERTENCIA



Peligro de Choque Eléctrico

Desconecte el suministro de energía antes de darle mantenimiento.

Use un cable de suministro eléctrico nuevo de 40 amp.

Enchufe en un contacto con conexión a tierra.

No seguir estas instrucciones puede ocasionar la muerte, incendio o choque eléctrico.

Cable directo

⚠ ADVERTENCIA



Peligro de Choque Eléctrico

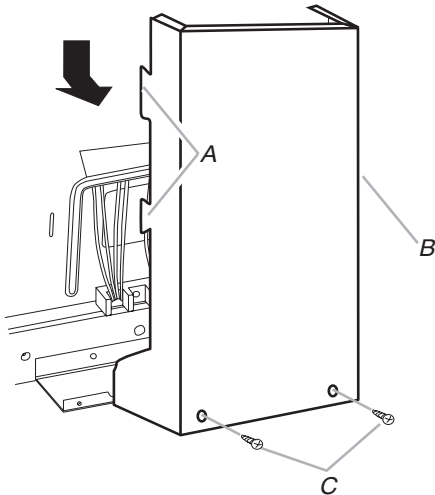
Desconecte el suministro de energía antes de darle servicio.

Use un alambre de cobre de calibre 8 o un alambre de aluminio de calibre 6.

Conecte la estufa a tierra.

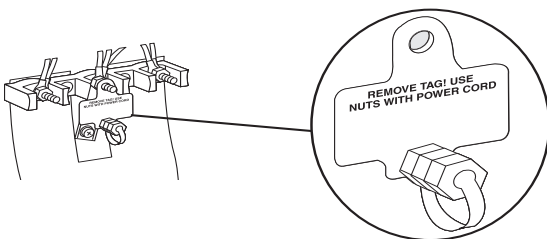
No seguir estas instrucciones puede ocasionar la muerte, incendio o choque eléctrico.

1. Desconecte el suministro de energía.
2. Quite los tornillos de la tapa del bloque de los terminales ubicados en la parte posterior de la cocina. Jale la tapa hacia abajo y hacia usted para sacarla de la cocina.



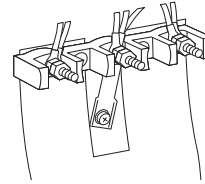
- A. Dos lengüetas de montaje a cada lado
 B. Tapa del bloque de terminal
 C. Tornillos de cabeza hexagonal

3. Según cuál sea su modelo, retire la etiqueta plástica que sostiene tres tuercas hexagonales de 10-32 del poste medio del bloque de terminales.



NA

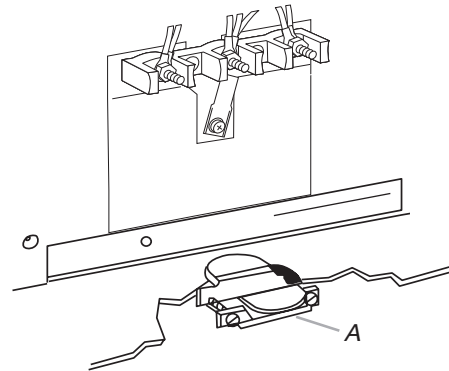
Retire la tuerca hexagonal de 10-32 de la parte superior de cada uno de los 3 bloques de terminales y resérvela.



4. Agregue el protector de cables.

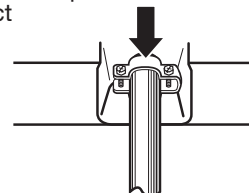
Estilo 1: Protector de cables del cable de suministro de energía

- Retire el disco removible para el cable de suministro de energía.
- Ensamble en la abertura un protector de cables homologado por UL.



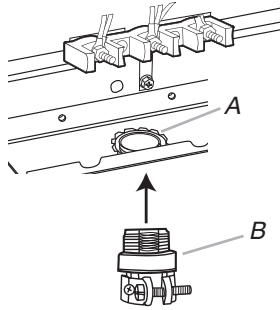
A. Protector de cables homologado por UL

- Apriete el tornillo del protector de cables contra el cable de suministro eléct



Estilo 2: Protector de cables para cable directo

- Quite el disco removible según sea necesario para la conexión del conducto flexible.
- Ensamble en la abertura un conector de conducto homologado por UL.



A. Tuerca de retención desmontable
B. Conducto

- Apriete el tornillo del protector de cables contra el conducto flexible.

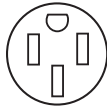
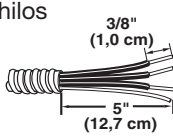
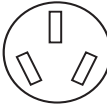
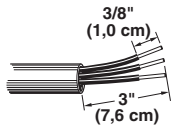


- 5 Complete la instalación según las instrucciones correspondientes al tipo de conexión eléctrica que tiene:

4 hilos (recomendado)

3 hilos (si no existe conexión de 4 hilos)

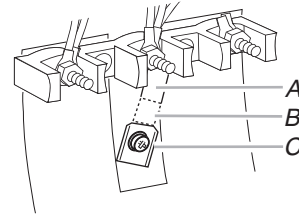
Opciones para la conexión eléctrica

Si la casa tiene:	Y se va a hacer la conexión con:	Vaya a la sección:
Tomacorriente de 4 hilos (tipo NEMA 14-50R) 	Un cable de suministro eléctrico de cocina homologado por UL, de 250 V mínimo y 40 A	Conexión de 4 hilos: Cable de suministro eléctrico
Cable directo de 4 hilos 	Una caja de disyuntores o un desconectador con fusible	Conexión de 4 hilos: Cable directo
Tomacorriente de 3 hilos (tipo NEMA 10-50R) 	Un cable de suministro eléctrico de cocina homologado por UL, de 250 V mínimo y 40 A	Conexión de 3 hilos: Cable de suministro eléctrico
Cable directo de 3 hilos 	Una caja de disyuntores o un desconectador con fusible	Conexión de 3 hilos: Cable directo

Conexión de 4 hilos: Cable de suministro eléctrico

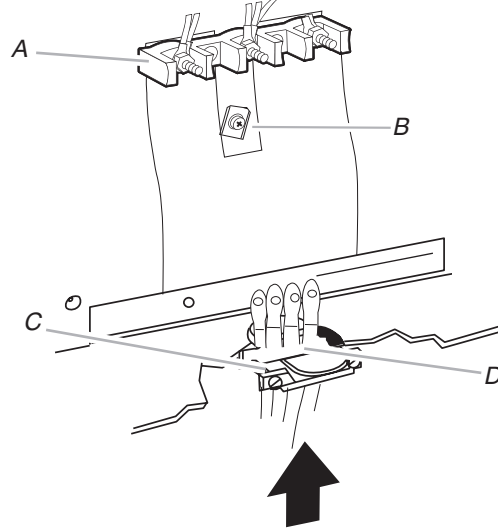
Use este método para:

- Nuevas instalaciones de circuito derivado (1996 NEC)
 - Casas rodantes
 - Vehículos de recreación
 - En un área donde los códigos locales prohíban la conexión a tierra a través del terminal neutro
1. Parte del fleje de metal a tierra debe cortarse y quitarse.



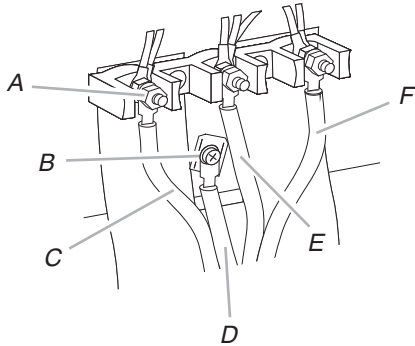
A. Fleje metálico de conexión a tierra
B. Deseche
C. Tornillo de puesta a tierra

2. Use un destornillador Phillips para retirar el tornillo de enlace a tierra de la parte posterior de la cocina. Reserve el tornillo de enlace a tierra y el extremo del enlace a tierra que hay debajo del tornillo.
3. Pase el cable de suministro eléctrico a través del protector de cables en la placa del cable/conducto en la base de la cocina. Deje el hilo lo suficientemente flojo para poder conectar el cableado al bloque de terminal.



A. Bloque de terminales
B. Tornillo de puesta a tierra
C. Protector de cables homologado por UL
D. Hilos de los cables de suministro eléctrico

- Use un destornillador Phillips para conectar el hilo verde a tierra del cable de suministro eléctrico a la cocina con el tornillo de enlace a tierra y la sección del enlace a tierra. Debe sujetarse primero el hilo de puesta a tierra.
- Use un sacatueras de 3/8" (1 cm) para conectar el cable neutral (blanco) al poste central del bloque de los terminales con una de las tuercas hexagonales de 10-32.



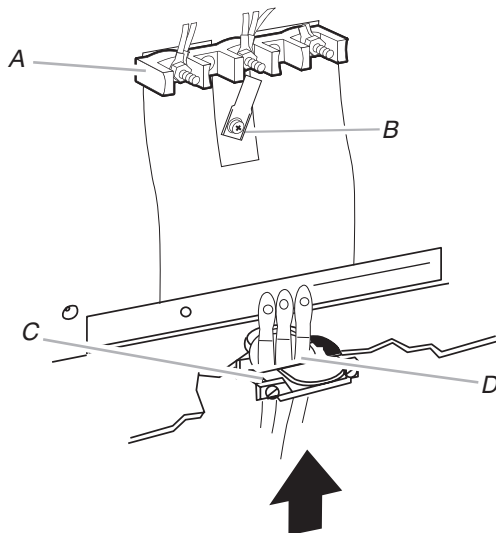
- A. Tuerca hexagonal 10-32
 B. Tornillo de puesta a tierra
 C. Línea 2 (roja)
 D. Hilo de conexión a tierra verde
 E. Hilo neutro (central)
 F. Línea 1 (negra)

- Conecte los hilos de la línea 2 (rojo) y de la línea 1 (negro) a los postes externos del bloque de terminales con tuercas hexagonales 10-32.
- Apriete firmemente las tuercas hexagonales.
NOTA: Para reemplazar el cable de suministro eléctrico, use únicamente un cable eléctrico clasificado para 250 V como mínimo, 40 A o 50 A, marcado para uso con una abertura de conexión de 1 3/8" (3,5 cm) de diámetro nominal, con terminales de anillo y marcado para uso con cocinas.
- Apriete los tornillos del protector de cables.
- Vuelva a colocar la tapa de acceso del bloque de terminal.

Conexión de 3 hilos: Cable de suministro eléctrico

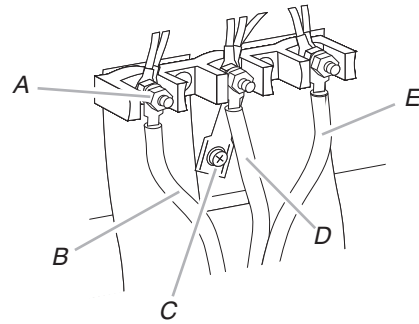
Use este método solamente si los códigos locales permiten conectar el conductor a tierra del chasis al hilo neutro del cable de suministro eléctrico.

- Pase el cable de suministro eléctrico a través del protector de cables en la placa del cable/conducto en la base de la cocina. Deje el hilo lo suficientemente flojo para poder conectar el cableado al bloque de terminal.



- A. Bloque de terminales
 B. Tornillo de puesta a tierra
 C. Protector de cables homologado por UL
 D. Hilos del cable de suministro eléctrico, abertura grande

- Use un sacatueras de 3/8" (1 cm) para conectar el cable neutral (blanco) al poste central del bloque de terminales con una de las tuercas hexagonales de 10-32.



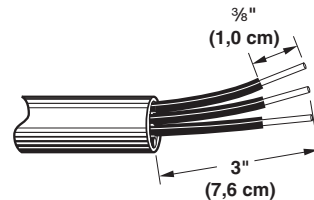
- A. Tuerca hexagonal 10-32
 B. Línea 2 (roja)
 C. Tornillo de puesta a tierra
 D. Hilo neutro (blanco)
 E. Línea 1 (negra)

- Conecte los hilos de la línea 2 (rojo) y de la línea 1 (negro) a los postes externos del bloque de terminales con tuercas hexagonales 10-32.
- Apriete firmemente las tuercas hexagonales.
NOTA: Para reemplazar el cable de suministro eléctrico, use únicamente un cable eléctrico clasificado para 250 V como mínimo, 40 A o 50 A, marcado para uso con una abertura de conexión de 1 3/8" (3,5 cm) de diámetro nominal, con terminales de anillo y marcado para uso con cocinas.
- Apriete los tornillos del protector de cables.
- Vuelva a colocar la tapa de acceso del bloque de terminal.

Instalación de cable directo: Hilo de cobre o aluminio

Esta cocina se puede conectar directamente a la desconexión con fusible o a la caja de disyuntores. Según el suministro eléctrico que tenga, realice la conexión de 3 o de 4 hilos necesaria.

- Pele el recubrimiento exterior 3" (7,6 cm) para que los hilos queden expuestos. Pele 3/8" (1,0 cm) del aislamiento en el extremo de cada hilo.



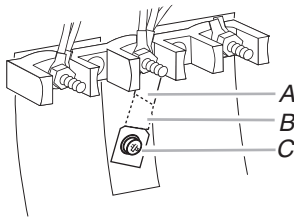
- Deje suficiente holgura en el hilo como para fijar el bloque de terminales del cableado con facilidad.
- Complete la conexión eléctrica de acuerdo con el tipo de suministro de energía que usted tenga (conexión de 3 ó 4 hilos).

Conexión de 4 hilos: Cable directo

Use este método para:

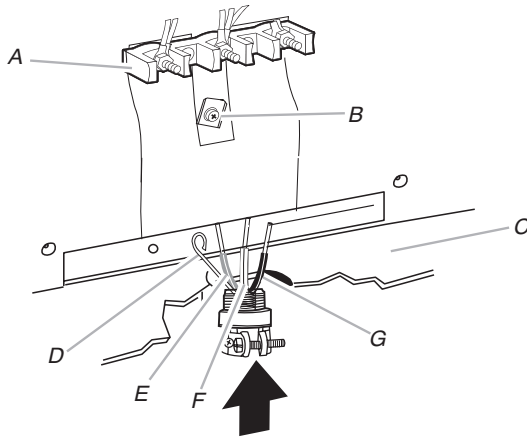
- Nuevas instalaciones de circuito derivado (1996 NEC)
- Casas rodantes
- Vehículos de recreación
- En un área donde los códigos locales prohíban la conexión a tierra a través del terminal neutro

1. Parte del fleje de metal a tierra debe cortarse y quitarse.



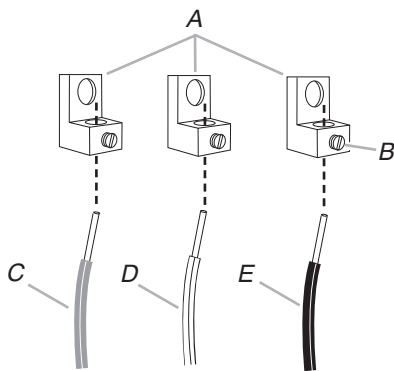
A. Fleje metálico de conexión a tierra
B. Deseche
C. Tornillo de puesta a tierra

2. Use un destornillador Phillips para retirar el tornillo de enlace a tierra de la parte posterior de la cocina. Reserve el tornillo de enlace a tierra y el extremo del enlace a tierra que hay debajo del tornillo.
3. Pase los cables a través del protector de cables en la base de la cocina. Deje la holgura suficiente como para fijar el cableado al bloque de terminales con facilidad.



A. Bloque de terminales
B. Tornillo de puesta a tierra
C. Placa de cable/conducto
D. Hilo desnudo de conexión a tierra (verde)
E. Hilo de línea 2 (rojo)
F. Hilo neutro (blanco)
G. Hilo de línea 1 (negro)

4. Sujete las lengüetas de los terminales a los hilos de la línea 1 (negra), neutra (blanca) y línea 2 (roja). Afloje (no retire) el tornillo opresor en la parte delantera de la lengüeta de los terminales e inserte el hilo expuesto a través de la parte inferior de las lengüetas de los terminales. Apriete con firmeza el tornillo opresor con la torsión que se muestra en la tabla Especificaciones de torsión para hilos desnudos.



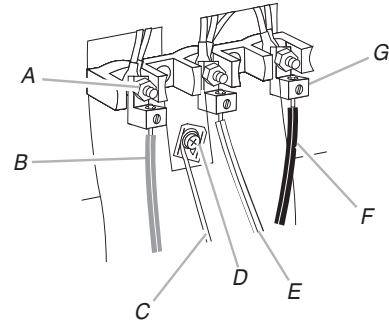
A. Lengüeta de terminal
B. Tornillo opresor
C. Hilo de línea 2 (rojo)
D. Hilo neutro (blanco)
E. Hilo de línea 1 (negro)

Especificaciones de torsión para hilos desnudos

Fijación de lengüetas de los terminales al bloque de terminales: 20 lb-in (2,3 N-m).

Calibre del hilo	Torsión
Cobre, calibre 8	25 lb-pulg. (2,8 N-m)
Aluminio, calibre 6	35 lb-pulg. (4,0 N-m)

5. Use un destornillador hexagonal o Phillips para conectar el hilo a tierra (verde) desnudo a la cocina con el tornillo de enlace a tierra y la sección del enlace a tierra. Primero se debe fijar el cable a tierra, que no debe estar en contacto con ningún otro terminal.
6. Use un sacatueras de 3/8" (1 cm) para conectar el cable neutro (blanco) al poste central del bloque de los terminales con una de las tuercas hexagonales de 10-32.



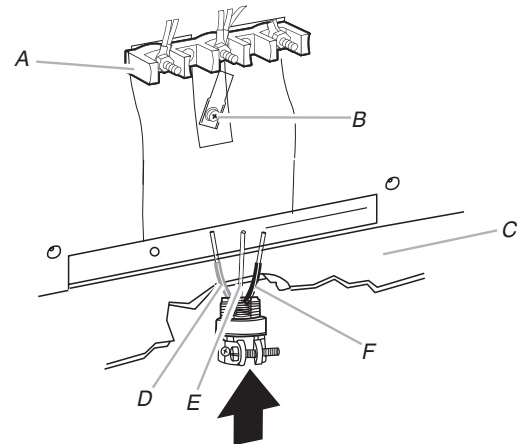
A. Tuerca hexagonal 10-32
B. Línea 2 (roja)
C. Hilo desnudo de conexión a tierra (verde)
D. Tornillo de puesta a tierra
E. Hilo neutro (blanco)
F. Línea 1 (negra)
G. Lengüeta de terminal

7. Conecte los hilos de la línea 2 (rojo) y de la línea 1 (negro) a los postes externos del bloque de terminales con tuercas hexagonales 10-32.
8. Apriete firmemente las tuercas hexagonales.
9. Vuelva a colocar la tapa de acceso del bloque de terminal.

Conexión de 3 hilos: Cable directo

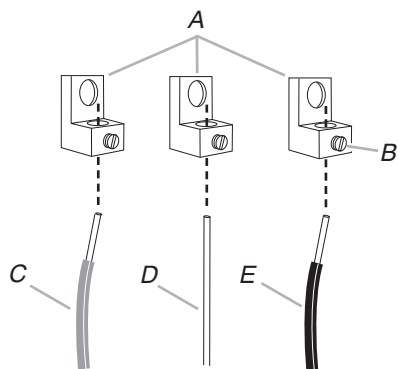
Use este método solamente si los códigos locales permiten conectar el conductor a tierra al hilo neutro de suministro eléctrico.

1. Pase los cables a través del conducto en la placa del cable/conducto en la base de la cocina. Deje el hilo lo suficientemente flojo para poder conectar el cableado al bloque de terminal.



A. Bloque de terminales
B. Tornillo de puesta a tierra
C. Placa de cable/conducto
D. Hilo de línea 2 (rojo)
E. Hilo desnudo de conexión a tierra (verde)
F. Hilo de línea 1 (negro)

- Fije las lengüetas de los terminales a los hilos de la línea 2 (rojo), de conexión a tierra desnudo (verde) y de la línea 1 (negro). Afloje (no retire) el tornillo opresor en la parte delantera de la lengüeta de los terminales e inserte el hilo expuesto a través de la parte inferior de las lengüetas de los terminales. Apriete con firmeza el tornillo opresor con la torsión que se muestra en la tabla Especificaciones de torsión para hilos desnudos.



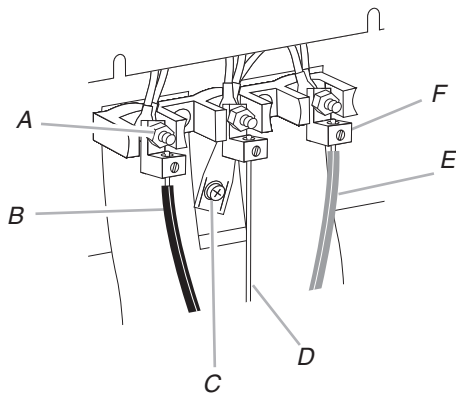
- A. Lengüeta de terminal
- B. Tornillo opresor
- C. Hilo de línea 2 (rojo)
- D. Hilo desnudo de conexión a tierra (verde)
- E. Hilo de línea 1 (negro)

Especificaciones de torsión para hilos desnudos

Fijación de lengüetas de los terminales al bloque de terminales: 20 lb-in (2,3 N-m).

Calibre del hilo	Torsión
Cobre, calibre 8	25 lb-pulg. (2,8 N-m)
Aluminio, calibre 6	35 lb-pulg. (4,0 N-m)

- Use un sacatuercas de 3/8" (1,0 cm) para conectar el hilo a tierra (verde) desnudo al poste central del bloque de terminales con una de las tuercas hexagonales de 10-32.



- A. Tuerca hexagonal 10-32
- B. Línea 2 (roja)
- C. Tornillo de puesta a tierra
- D. Hilo desnudo de conexión a tierra (verde)
- E. Línea 1 (negra)
- F. Lengüeta de terminal

- Conecte los hilos de la línea 2 (rojo) y de la línea 1 (negro) a los postes externos del bloque de terminales con tuercas hexagonales 10-32.
- Apriete firmemente las tuercas hexagonales.
- Vuelva a colocar la tapa de acceso del bloque de terminal.

Verifique que el soporte anti-vuelco esté instalado y enganchado

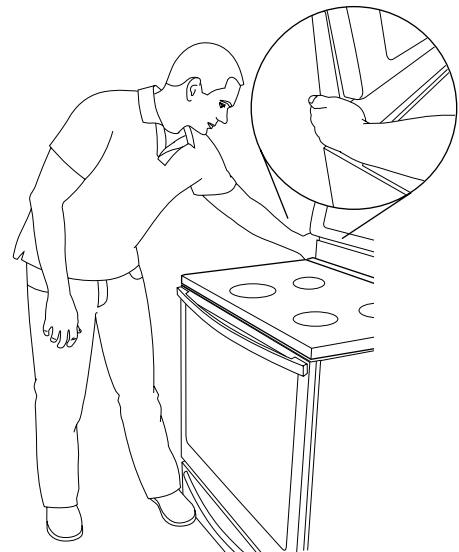
En las cocinas con un cajón de almacenamiento:

- Retire el cajón de almacenamiento. Consulte la sección "Cajón de almacenamiento".
- Use una linterna para mirar debajo de la parte inferior de la cocina.
- Verifique visualmente que la pata trasera de la cocina esté insertada en la ranura del soporte antivuelco.

En las cocinas con un cajón de calentamiento o cajón de almacenamiento premium:

- Coloque el lado externo del pie contra la parte delantera inferior del cajón de calentamiento o cajón de almacenamiento premium; después, aferre el lado inferior derecho o izquierdo del panel de control, como se muestra.

NOTA: Si el mostrador está montado con salpicadero, tal vez sea necesario levantar la cocina más alto de lo que se muestra en la ilustración.



- Intente inclinar lentamente la cocina hacia adelante. Si enseguida siente resistencia, quiere decir que la pata de la cocina está enganchada en el soporte anti-vuelco.
- Si la parte posterior de la cocina se separa más de 1/2" (1,3 cm) del piso sin resistencia, deje de inclinar la cocina y descíndala con suavidad nuevamente al piso. La pata de la cocina no está enganchada en el soporte antivuelco.

IMPORTANTE: Si hay un sonido de estallido o explosión cuando se levanta la cocina, es posible que no esté completamente enganchada en el soporte. Revise si hay obstrucciones que impiden que la cocina se deslice hacia la pared o impiden que la pata de la cocina se deslice en el soporte. Verifique que el soporte se mantenga seguro en el lugar con los tornillos de montaje.

- Deslice la cocina hacia adelante y verifique que el soporte esté fijado firmemente al piso o a la pared.
- Deslice la cocina hacia atrás de modo que la pata trasera quede insertada en la ranura del soporte antivuelco.

IMPORTANTE: Si la parte posterior de la cocina se separa más de 2" (5,1 cm) de la pared de montaje, es posible que la pata posterior de la cocina no se haya enganchado con el soporte. Deslice hacia adelante la cocina para determinar si hay una obstrucción entre la cocina y la pared de montaje. Si necesita asistencia o servicio técnico, consulte la sección "Asistencia o servicio técnico" del Manual de uso y cuidado o la sección "Garantía" de las Instrucciones del usuario para ver la información de contacto.

- Repita los pasos 1 y 2 para cerciorarse de que la pata de la cocina esté enganchada en el soporte anti-vuelco.

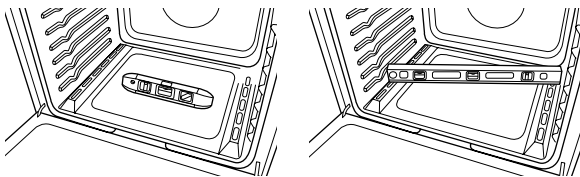
Si la parte posterior de la cocina se separa más de 1/2" (1,3 cm) del piso sin resistencia, es posible que el soporte antivuelco no se haya instalado correctamente. No ponga a funcionar la cocina sin tener el soporte antivuelco instalado y asegurado. Para contactar al servicio técnico, consulte la sección "Ayuda o servicio técnico" en el Manual de uso y cuidado, la portada o la sección "Garantía" de las Instrucciones para el usuario.

Nivelación de la cocina

Para determinar si tiene tecnología AquaLift® o limpieza con vapor, consulte la sección "Cuidado de la cocina" en las Instrucciones del usuario.

Para cocinas con tecnología AquaLift® o limpieza con vapor:

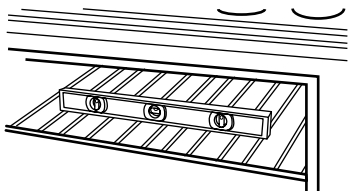
- Coloque un nivel sobre el piso del horno, como se indica en una de las dos figuras a continuación, según el tamaño del nivel. Verifique con el nivel: de lado a lado y del frente hacia la parte posterior.



- Si la cocina no está nivelada, júela hacia delante hasta quitar la pata niveladora posterior del soporte anti-vuelco.
- Siga las indicaciones del estilo 1 o del estilo 2, según el estilo de cajón suministrado con la cocina.

Para cocinas sin tecnología AquaLift® o limpieza con vapor:

- Coloque una parrilla plana estándar en el horno.
- Coloque un nivel en la parrilla y verifique que la cocina esté nivelada, primero de lado a lado y, después, de adelante hacia atrás.



- Si la cocina no está nivelada, jale la cocina hacia adelante hasta quitar la pata niveladora posterior del soporte anti-vuelco.
- Siga las indicaciones del estilo 1 o del estilo 2, según el estilo de cajón suministrado con la cocina.

Estilo 1: En las cocinas con cajón de almacenamiento:

Use un trinquete de 1/4" (6,4 mm), una llave o pinzas para regular las patas niveladoras hacia arriba o hacia abajo hasta que la cocina esté nivelada. Empuje la cocina a su posición final. Verifique que la pata niveladora trasera esté enganchada en el soporte antivuelco.

Estilo 2: Cocinas con cajón de calentamiento o cajón de almacenamiento premium:

Use una llave o pinzas para regular las patas niveladoras hacia arriba o hacia abajo hasta que la cocina esté nivelada. Empuje la cocina a su posición final. Verifique que la pata niveladora trasera esté enganchada en el soporte anti-vuelco.

NOTA: La cocina debe estar nivelada para un rendimiento satisfactorio del horneado y resultados óptimos de la limpieza con las funciones de tecnología AquaLift® y limpieza con vapor.

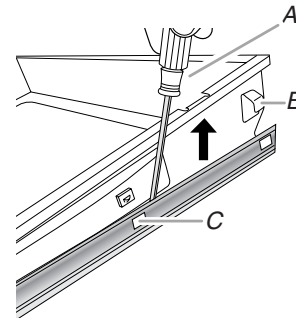
Cajón de calentamiento o cajón de almacenamiento Premium

(en algunos modelos)

Retire todos los elementos que haya dentro del cajón de calentamiento o el cajón de almacenamiento premium y espere hasta que la cocina se enfríe por completo antes de intentar retirar el cajón.

Para retirarla:

- Abra el cajón de calentamiento o el cajón de almacenamiento Premium por completo.
- Con un destornillador de punta plana, afloje con cuidado el cajón de calentamiento o el cajón de almacenamiento premium de la muesca de alineación deslizante y levante la lengüeta de alineación del cajón de la guía de deslizamiento.

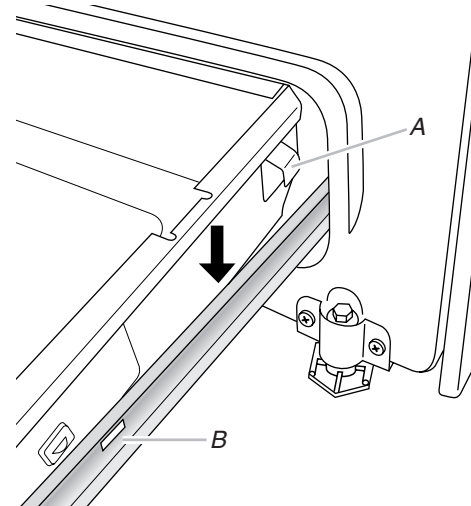


A. Destornillador de punta plana
B. Lengüeta de alineación del cajón
C. Muesca de deslizamiento del cajón

- Repita el paso 2 en el otro lado. El cajón de calentamiento o el cajón de almacenamiento premium ya no están sujetos a las guías del cajón. Con las dos manos, levante el cajón para completar el retiro.

Para cambiarla:

- Alinee las muescas de la parte de adelante del cajón con las muescas en las guías del cajón las cuales están ubicadas a ambos lados. Inserte las lengüetas de alineación de la parte trasera en las guías del cajón en ambos lados.



A. Lengüeta de alineación del cajón
B. Muesca de deslizamiento del cajón

- Empuje el cajón de calentamiento o el cajón de almacenamiento premium por completo hacia adentro.
- Abra y cierre el cajón de calentamiento o el cajón de almacenamiento premium para asegurarse de que esté bien encajado sobre las guías a ambos lados.

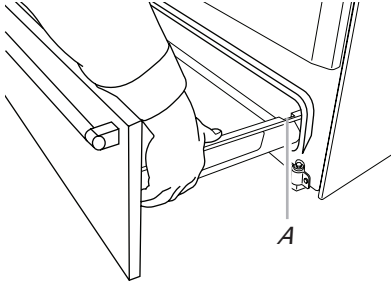
Cajón de almacenamiento

(en algunos modelos)

El cajón de almacenamiento puede retirarse. Antes de retirarlo, cerciórese de que esté frío y vacío.

Para retirarla:

1. Tire del cajón de almacenamiento en sentido recto hacia atrás hasta el tope.

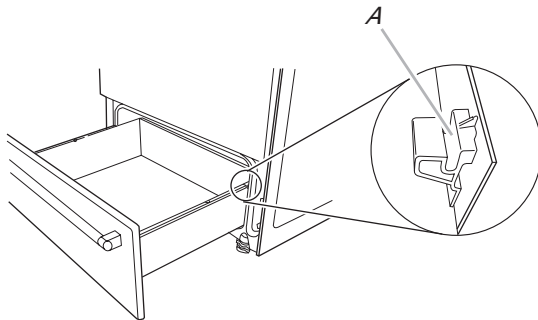


A. Muesca de tope del cajón

2. Levante el frente del cajón y tire del cajón hacia afuera.

Para cambiarla:

1. Levante el frente del cajón y coloque la parte posterior del cajón dentro de la cocina de modo que la muesca de tope del cajón quede detrás de la guía del cajón.
2. Descienda el cajón de modo que el borde del riel de deslizamiento caiga dentro de la ranura en la guía del cajón.
3. Empuje lentamente el cajón dentro de la cocina.



A. Enganche la guía del cajón.

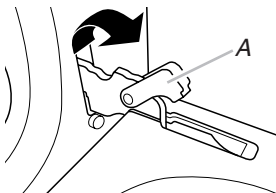
NOTA: Cuando están correctamente instaladas, las guías deslizantes posteriores de la base del cajón se engancharán con los rieles de la base y el cajón no se inclinará cuando se coloquen elementos en su interior.

Puerta del horno

Para el uso normal de la cocina, se sugiere no retirar la puerta del horno. Sin embargo, si es necesario retirarla, asegúrese de que el horno esté apagado y frío. Después, siga estas instrucciones. La puerta del horno es pesada.

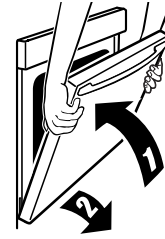
Para retirarla:

1. Abra por completo la puerta del horno.
2. Pellizque la traba de la bisagra con 2 dedos y tire hacia adelante. Repita en el otro lado de la puerta del horno.



A. Traba de bisagra

3. Cierre la puerta del horno tanto como sea posible.
4. Levante la puerta del horno sosteniéndola de ambos lados. Siga empujando la puerta del horno para cerrarla y retírela del marco de la puerta del horno.



Para cambiarla:

1. Inserte los dos brazos de suspensión en la puerta.



2. Abra la puerta del horno. Debe escuchar un chasquido cuando la puerta quede en su lugar.
3. Mueva las palancas de la bisagra nuevamente a la posición trabada. Verifique que la puerta pueda abrirse y cerrarse bien. De lo contrario, repita los procedimientos para retirar e instalar la puerta.

Completar la instalación

1. Verifique que todas las piezas estén ahora instaladas. Si sobra alguna pieza, vuelva a revisar todos los pasos para ver cuál se omitió.
2. Verifique que tenga todas las herramientas.
3. Deseche o recicle todo el material de embalaje.
4. Verifique que la cocina esté nivelada. Consulte la sección "Nivelación de la cocina".
5. Use una solución suave de limpiador doméstico líquido y agua tibia para quitar el residuo ceroso que deje el material de embalaje. Seque meticulosamente con un paño suave. Para obtener más información, consulte la sección "Cuidado de la cocina" del Manual de uso y cuidado o las Instrucciones del usuario.
6. Consulte la sección "Uso de la cocina" del Manual de uso y cuidado o las Instrucciones del usuario.
7. Enchufe el cable de suministro de energía en el contacto apropiado. Encienda el aparato.
8. Encienda los quemadores de superficie y el horno. Consulte el Manual de uso y cuidado o las Instrucciones del usuario para obtener instrucciones específicas sobre el funcionamiento de la cocina.

Si la cocina no funciona, revise lo siguiente:

- Que el fusible de la casa esté intacto y ajustado o que no se haya disparado el cortacircuitos.
- Que la cocina esté conectada a un contacto.
- Que el suministro eléctrico esté conectado.

IMPORTANTE: Si aparece un código de error F9 o F9, E0 en el control de la cocina, es posible que el tomacorriente esté mal cableado. Póngase en contacto con un electricista calificado para verificar el suministro eléctrico.

- Vea la sección “Solución de problemas” del Manual de uso y cuidado o las Instrucciones del usuario.

Cuando la cocina haya estado encendida durante 5 minutos, verifique que haya calor. Si la cocina está fría, apáguela y póngase en contacto con un técnico de servicio calificado.

Cómo mover la cocina

⚠ ADVERTENCIA



Peligro de Vuelco

Un niño o un adulto puede volcar accidentalmente la estufa y resultar muerto.

Instale el soporte anti-vuelco al piso o a la pared según las instrucciones de instalación.

Deslice la estufa hacia atrás de modo que la pata trasera quede enganchada en la ranura del soporte anti-vuelco.

Si traslada de lugar la estufa, vuelva a asegurar el soporte anti-vuelco.

No ponga a funcionar la estufa sin tener el soporte anti-vuelco instalado y asegurado.

No seguir estas instrucciones puede ocasionar la muerte o quemaduras graves en niños y adultos.

Cuando mueva la cocina, deslícela sobre un pedazo de cartón o madera para prevenir que se dañe el revestimiento del piso.

Si es necesario quitar la cocina para limpiar o realizar mantenimiento:

Para cocinas conectadas con cable de suministro eléctrico:

1. Deslice la cocina hacia adelante.
2. Desenchufe el cable de suministro de eléctrico.
3. Termine la limpieza o el mantenimiento.
4. Enchufe el cable de suministro de energía.
5. Verifique que el soporte antivuelco esté instalado y enganchado. Consulte la sección “Verifique que el soporte anti-vuelco esté instalado y enganchado”.
6. Verifique que la cocina esté nivelada.

Para cocinas de cableado directo:

⚠ ADVERTENCIA



Peligro de Choque Eléctrico

Desconecte el suministro de energía antes de darle mantenimiento.

Vuelva a colocar todos los componentes y paneles antes de hacerlo funcionar.

No seguir estas instrucciones puede ocasionar la muerte o choque eléctrico.

1. Desconecte el suministro de energía.
2. Deslice la cocina hacia adelante.
3. Termine la limpieza o el mantenimiento.
4. Verifique que el soporte antivuelco esté instalado y enganchado. Consulte la sección “Verifique que el soporte anti-vuelco esté instalado y enganchado”.
5. Verifique que la cocina esté nivelada.
6. Reconecte el suministro eléctrico.

