

---

# INSTALLATION INSTRUCTIONS 24" (61.0 CM) FREESTANDING ELECTRIC RANGES

---

## INSTRUCTIONS D'INSTALLATION POUR CUISINIÈRES ÉLECTRIQUES AUTOPORTANTES DE 24 PO (61,0 CM)

---

### Table of Contents / Table des matières

<b>RANGE SAFETY</b> .....	2	<b>SÉCURITÉ DE LA CUISINIÈRE</b> .....	16
<b>INSTALLATION REQUIREMENTS</b> .....	3	<b>EXIGENCES D'INSTALLATION</b> .....	17
Tools and Parts.....	3	Outils et pièces.....	17
Location Requirements .....	3	Exigences d'emplacement.....	17
Electrical Requirements .....	5	Spécifications électriques .....	19
<b>INSTALLATION INSTRUCTIONS</b> .....	7	<b>INSTRUCTIONS D'INSTALLATION</b> .....	21
Unpack Range.....	7	Déballage de la cuisinière .....	21
Backguard Assembly .....	7	Dossieret .....	21
Install Anti-Tip Bracket.....	8	Bride antibasculement .....	22
Electrical Connection - U.S.A. Only.....	9	Raccordement électrique – É.-U. seulement.....	23
Verify Anti-Tip Bracket Is Installed and Engaged .....	13	Vérifier que la bride antibasculement est bien installée et en- gagée.....	27
Level Range.....	14	Réglage de l'aplomb de la cuisinière.....	28
Storage Drawer .....	14	Tiroir de remisage.....	28
Complete Installation .....	14	Terminer l'installation.....	28
Moving the Range.....	15	Déplacement de la cuisinière.....	29

---

**IMPORTANT:**

Save for local electrical inspector's use.

**IMPORTANT :**

Conserver ces instructions à l'usage de l'inspecteur des installations électriques local.

# RANGE SAFETY

## Your safety and the safety of others are very important.

We have provided many important safety messages in this manual and on your appliance. Always read and obey all safety messages.



This is the safety alert symbol.

This symbol alerts you to potential hazards that can kill or hurt you and others.

All safety messages will follow the safety alert symbol and either the word "DANGER" or "WARNING." These words mean:

**⚠ DANGER**

You can be killed or seriously injured if you don't immediately follow instructions.

**⚠ WARNING**

You can be killed or seriously injured if you don't follow instructions.

All safety messages will tell you what the potential hazard is, tell you how to reduce the chance of injury, and tell you what can happen if the instructions are not followed.

## ⚠ WARNING

### Tip Over Hazard

A child or adult can tip the range and be killed.

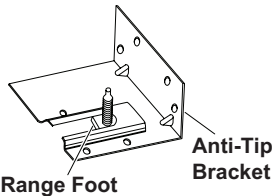
Install anti-tip bracket to floor or wall per installation instructions.

Slide range back so rear range foot is engaged in the slot of the anti-tip bracket.

Re-engage anti-tip bracket if range is moved.

Do not operate range without anti-tip bracket installed and engaged.

Failure to follow these instructions can result in death or serious burns to children and adults.



To verify the anti-tip bracket is installed and engaged:

- Slide range forward.
- Look for the anti-tip bracket securely attached to floor or wall.
- Slide range back so rear range foot is under anti-tip bracket.
- See installation instructions for details.

# INSTALLATION REQUIREMENTS

## Tools and Parts

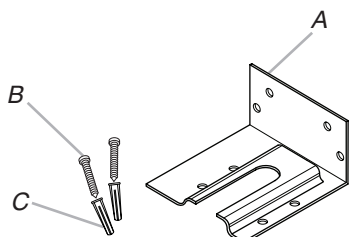
Gather the required tools and parts before starting installation. Read and follow the instructions provided with any tools listed here.

### Tools needed

- Tape measure
- Flat-blade screwdriver
- Phillips screwdriver
- Level
- Hammer
- Hand or electric drill
- Wrench or pliers
- Marker or pencil
- Masking tape
- 3/8" (1 cm) and 5/16" (7.9 mm) nut driver
- 1/8" (3.2 mm) drill bit (for wood floors)

### Parts Supplied

Check that all parts are included.



A. Anti-tip bracket  
B. #12 x 1" screws (2)  
C. Plastic Anchors (2)

- Anti-tip bracket must be securely mounted to floor or wall. Thickness of flooring may require longer screws to anchor bracket to floor.

### Parts needed

If using a power supply cord kit:

- A UL listed power supply cord kit marked for use with ranges. The cord should be rated at 250 V minimum, 40 A or 50 A that is marked for use with nominal 1 $\frac{1}{8}$ " (3.5 cm) diameter connection opening and must end in ring terminals or open-end spade terminals with upturned ends.
- A UL listed strain relief.

Check local codes. Check existing electrical supply. See "Electrical Requirements" section.

It is recommended that all electrical connections be made by a licensed, qualified electrical installer.

## Location Requirements

**IMPORTANT:** Observe all governing codes and ordinances.

- It is the installer's responsibility to comply with the installation clearances specified in this installation instructions. The model/serial/rating plate is located under the storage drawer. See the installation instructions on instructions on how to remove the storage drawer.
- Cabinet opening dimensions that are shown must be used. Given dimensions are minimum clearances.
- The anti-tip bracket must be installed. To install the anti-tip bracket shipped with the range, see "Install Anti-Tip Bracket" section.
- Grounded electrical supply is required. See "Electrical Requirements" section.

**IMPORTANT:** To avoid damage to your cabinets, check with your builder or cabinet supplier to make sure that the materials used will not discolor, delaminate or sustain other damage. This oven has been designed in accordance with the requirements of UL and CSA International and complies with the maximum allowable wood cabinet temperatures of 194°F (90°C).

### Mobile Home - Additional Installation Requirements

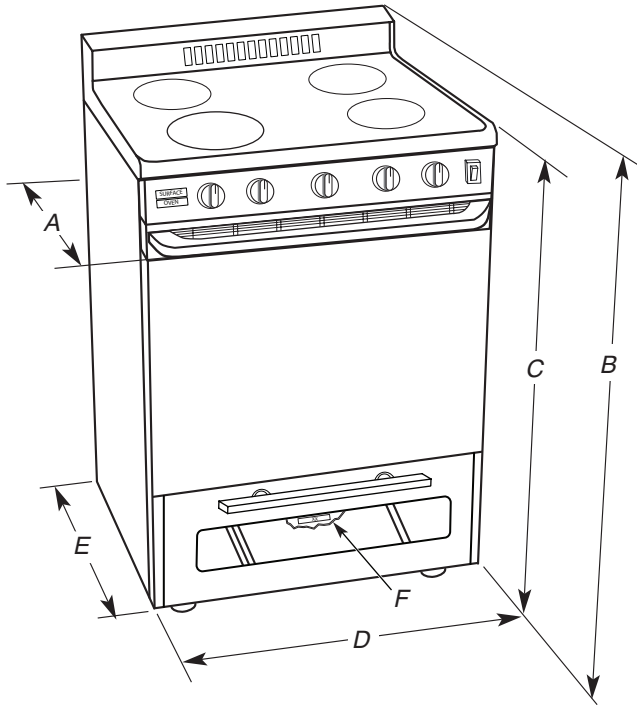
The installation of this range must conform to the Manufactured Home Construction and Safety Standard, Title 24 CFR, Part 3280 (formerly the Federal Standard for Mobile Home Construction and Safety, Title 24, HUD Part 280). When such standard is not applicable, use the Standard for Manufactured Home Installations, ANSI A225.1/NFPA 501A or with local codes.

In Canada, the installation of this range must conform with the current standards CAN/CSA-Z240-latest edition, or with local codes.

### Mobile home installations require:

- When this range is installed in a mobile home, it must be secured according to the instructions in this document.
- Four-wire power supply cord or cable must be used in a mobile home installation. The appliance wiring will need to be revised. See "Electrical Connection - U.S.A. Only" section.

## Product Dimensions



- A. 28" (71.1 cm) maximum depth with handle
- B. 37<sup>7</sup>/<sub>8</sub>" (96.2 cm) overall height (maximum) with leveling legs screwed all the way in\*
- C. 36" (91.4 cm) cooktop height (maximum) with leveling legs screwed all the way in\*
- D. 24" (60.9 cm) width
- E. 25<sup>3</sup>/<sub>8</sub>" (64.4 cm) depth - back of range to front of cooktop\*\*
- F. Model/serial/rating plate is located under the storage drawer

**IMPORTANT:** Range must be level after installation. Follow the instructions in the "Level Range" section. Using the cooktop as a reference for leveling the range is not recommended.

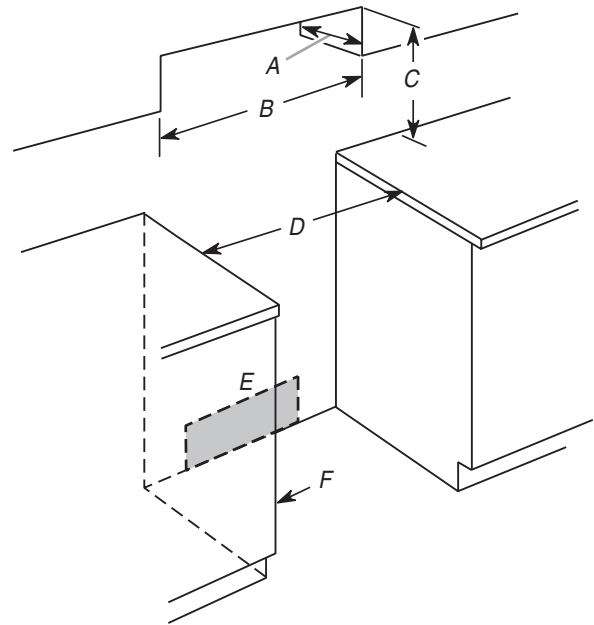
\*Range can be raised approximately 3/4" (1.9 cm) by adjusting the leveling legs.

\*\*Front of door and drawer may extend further forward depending on styling.

## Cabinet Dimensions

Cabinet opening dimensions shown are for 25" (64.0 cm) countertop depth, 24" (61.0 cm) base cabinet depth and 36" (91.4 cm) countertop height.

A freestanding range may be installed next to combustible walls with zero clearance.



- A. 13" (33.0 cm) maximum upper cabinet depth
- B. 24" (61.0 cm) minimum opening width
- C. For minimum clearance to top of cooktop, see NOTE\*
- D. 24<sup>3</sup>/<sub>16</sub>" (61.5 cm) minimum opening width
- E. Outlet - 3" (7.6 cm) from either cabinet, 8" (20.3 cm) maximum from floor.
- F. Cabinet door or hinges should not extend into the cutout.

**\*NOTE:** 24" (61.0 cm) minimum when bottom of wood or metal cabinet is covered by not less than 1/4" (0.64 cm) flame retardant millboard covered with not less than No. 28 MSG sheet steel, 0.015" (0.4 mm) stainless steel, 0.024" (0.6 mm) aluminum or 0.020" (0.5 mm) copper.

30" (76.2 cm) minimum clearance between the top of the cooking platform and the bottom of an uncovered wood or metal cabinet.

# Electrical Requirements

## Electrical Requirements - U.S.A. Only

If codes permit and a separate ground wire is used, it is recommended that a qualified electrical installer determine that the ground path and wire gauge are in accordance with local codes.

Do not use an extension cord.

Be sure that the electrical connection and wire size are adequate and in conformance with the National Electrical Code, ANSI/NFPA 70-latest edition and all local codes and ordinances.

A copy of the above code standards can be obtained from:

National Fire Protection Association  
1 Batterymarch Park  
Quincy, MA 02169-7471

**WARNING:** Improper connection of the equipment-grounding conductor can result in a risk of electric shock. Check with a qualified electrician or service technician if you are in doubt as to whether the appliance is properly grounded. Do not modify the power supply cord plug. If it will not fit the outlet, have a proper outlet installed by a qualified electrician.

### Electrical Connection

To properly install your range, you must determine the type of electrical connection you will be using and follow the instructions provided for it here.

- Range must be connected to the proper electrical voltage and frequency as specified on the model/serial rating plate. The model/serial rating plate is located under the storage drawer. See the installation instructions on how to remove the storage drawer. Refer to the figures in "Product Dimensions" in the "Location Requirements" section.
- This range is manufactured with the neutral terminal connected to the cabinet. Use a 3-wire, UL listed, 40 or 50 A power supply cord (pigtail) (see the following Range Rating chart). If local codes do not permit ground through the neutral, use a 4-wire power supply cord rated at 250 V, 40 or 50 A and investigated for use with ranges.

Range Rating*		Specified Rating of Power Supply Cord Kit and Circuit Protection
120/240 V	120/208 V	A
8.8 - 16.5 kW	7.8 - 12.5 kW	40 or 50**
16.6 - 22.5 kW	12.6 - 18.5 kW	50

\*The NEC calculated load is less than the total connected load listed on the model/serial rating plate.

\*\*If connecting to a 50 A circuit, use a 50 A rated cord with kit. For 50 A rated cord kits, use kits that specify use with a nominal 1 $\frac{3}{8}$ " (34.9 mm) diameter connection opening.

- A circuit breaker is recommended.
- The range can be connected directly to the circuit breaker box (or fused disconnect) through flexible or nonmetallic sheathed, copper or aluminum cable. See the "Electrical Connection - U.S.A. Only" section.
- Allow 2 to 3 ft (61.0 cm to 91.4 cm) of slack in the line so that the range can be moved if servicing is ever necessary.

- A UL listed conduit connector must be provided at each end of the power supply cable (at the range and at the junction box).
- Wire sizes and connections must conform with the rating of the range.
- The wiring diagram is located on the back of the range.

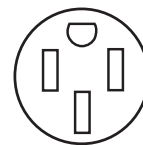
### If connecting to a 4-wire system:

This range is manufactured with the ground connected to the neutral by a link. The ground must be revised so the green ground wire of the 4-wire power supply cord is connected to the cabinet. See "Electrical Connection - U.S.A. Only" section.

Grounding through the neutral conductor is prohibited for new branch-circuit installations (1996 NEC); mobile homes; and recreational vehicles, or an area where local codes prohibit grounding through the neutral conductor.

When a 4-wire receptacle of NEMA Type 14-50R is used, a matching UL listed, 4-wire, 250 V, 40 or 50 A, range power supply cord (pigtail) must be used. This cord contains 4 copper conductors with ring terminals or open-end spade terminals with upturned ends, terminating in a NEMA Type 14-50P plug on the supply end.

The fourth (grounding) conductor must be identified by a green or green/yellow cover and the neutral conductor by a white cover. Cord should be Type SRD or SRDT with a UL listed strain relief and be at least 4 ft (1.22 m) long.



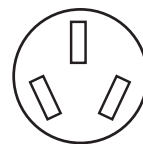
4-wire receptacle (14-50R)

The minimum conductor sized for the copper 4-wire power cord are:

- 40 A circuit
- 2 No.-8 conductors
- 1 No.-10 white neutral
- 1 No.-8 green grounding

### If connecting to a 3-wire system:


Local codes may permit the use of a UL listed, 3-wire, 250 V, 40 or 50 A range power supply cord (pigtail). This cord contains 3 copper conductors with ring terminals or open-end spade terminals with upturned ends, terminating in a NEMA Type 10-50P plug on the supply end. Connectors on the appliance end must be provided at the point the power supply cord enters the appliance. This uses a 3-wire receptacle of NEMA Type 10-50R.



3-wire receptacle (10-50R)

## Electrical Requirements - Canada Only

⚠ **WARNING**



**Electrical Shock Hazard**

**Electrically ground range.**

**Failure to do so can result in death, fire, or electrical shock.**

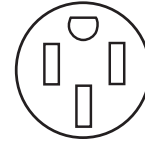
- Check with a qualified electrical installer if you are not sure the range is properly grounded.

Range Rating*		Specified Rating of Power Supply Cord Kit and Circuit Protection
120/240 V	120/208 V	A
8.8 - 16.5 kW	7.8 - 12.5 kW	40 or 50**
16.6 - 22.5 kW	12.6 - 18.5 kW	50

\*The NEC calculated load is less than the total connected load listed on the model/serial/rating plate.

\*\*If connecting to a 50 A circuit, use a 50 A rated cord with kit. For 50 A rated cord kits, use kits that specify use with a nominal 1<sup>3</sup>/<sub>8</sub>" (34.9 mm) diameter connection opening.

- A time-delay fuse or circuit breaker is recommended.
- This range is equipped with a CSA International Certified Power Cord intended to be plugged into a standard 14-50R wall receptacle. Be sure the wall receptacle is within reach of range's final location.



- Do not use an extension cord.

If codes permit and a separate ground wire is used, it is recommended that a qualified electrical installer determine that the ground path is adequate and wire gauge are in accordance with local codes.

Be sure that the electrical connection and wire size are adequate and in conformance with CSA Standard C22.1, Canadian Electrical Code, Part 1 - latest edition, and all local codes and ordinances.

A copy of the above code standards can be obtained from:

Canadian Standards Association  
178 Rexdale Blvd.  
Toronto, ON M9W 1R3 CANADA

# INSTALLATION INSTRUCTIONS

## Unpack Range

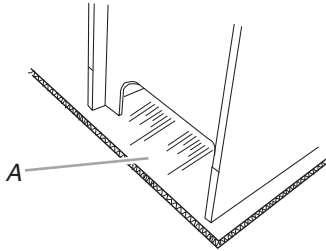
### **⚠ WARNING**

#### **Excessive Weight Hazard**

**Use two or more people to move and install range.**

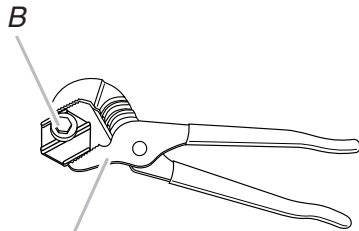
**Failure to do so can result in back or other injury.**

1. Remove shipping materials, tape and film from range.
2. Remove oven racks and parts package from inside oven and on top of range.
3. Do not remove the shipping base at this time.



A. Shipping base

Remove the storage drawer. See the "Storage Drawer" section. Use a wrench or pliers to lower front leveling legs one-half turn.



A. Wrench or pliers  
B. Front leveling leg

## Backguard Assembly

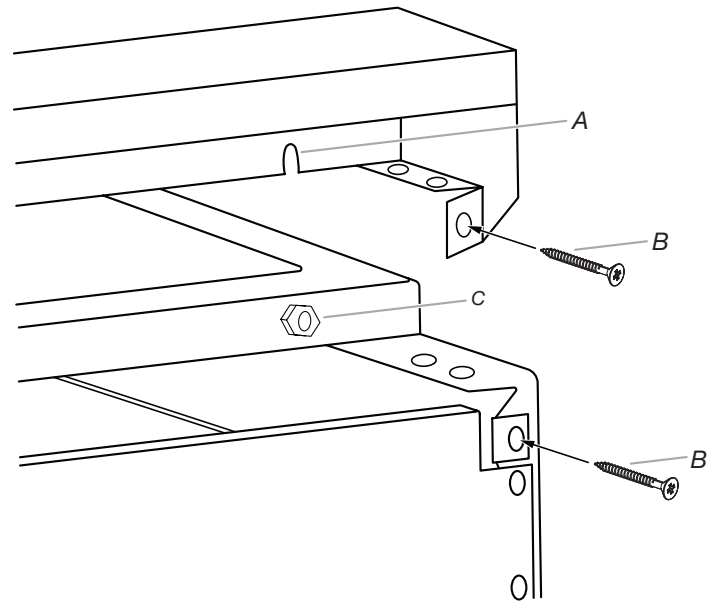
### Tools Required:

Phillips Screwdriver

### Parts Supplied:

(2) Assembly Screws# IOA x  
1/2 Phillips Pan Hd Screw

1. Lower Backguard down while guiding the Backguard slots down between the range top and the locking nuts.
2. Use the two assembly screws to attach the back corners of the Backguard to the side panels.



A. Backguard slot    C. Locking nut  
B. Assembly screw

## Install Anti-Tip Bracket

### **⚠ WARNING**



#### **Tip Over Hazard**

**A child or adult can tip the range and be killed.**

**Install anti-tip bracket to floor or wall per installation instructions.**

**Slide range back so rear range foot is engaged in the slot of the anti-tip bracket.**

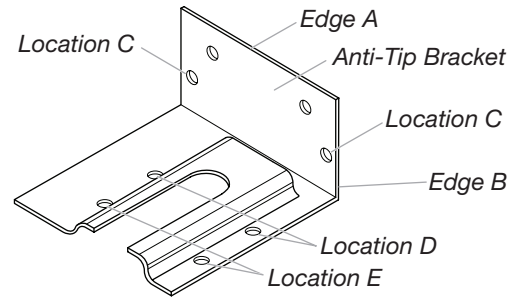
**Re-engage anti-tip bracket if range is moved.**

**Do not operate range without anti-tip bracket installed and engaged.**

**Failure to follow these instructions can result in death or serious burns to children and adults.**

1. Remove the anti-tip bracket from inside the literature bag assembly located in the oven.
2. Determine which mounting method to use: floor or wall. If you have a stone or masonry floor, you can use the wall mounting method. If you are installing the range in a mobile home, you must secure the range to the floor.

3. It is necessary to determine the final location of the range before you can locate the anti-tip bracket. If the range is going to be located between cabinets, place the bracket so that Edge A sits flat against the rear wall. Edge B should just touch the side of the cabinet sitting to the right side of the range.



If there are no adjacent cabinets, align Edge B of the bracket with the edge of the range side. After the bracket has been placed mark the hole locations with a marker.

4. The anti-tip bracket can be attached to the floor or the wall. For wall mount application use Location C. When using location C, the screws must penetrate the wall sill plate located within the wall. For floor mount application use Location D or E. One screw on each side of the bracket is sufficient.
5. To mount anchor bracket to concrete or ceramic floor, use a drill with a 3/16" masonry bit to drill the two holes. Tap plastic anchor into mounting holes in floor with hammer. Line up holes in anti-tip bracket to holes in floor. Use the two screws provided to fasten anti-tip bracket to floor.
6. Unscrew the rear leg levelers approximately 1/2" so that the rear leg levelers will slide in under the anti-tip bracket. Slide range into the final position after completing the gas and electrical connections to the range.



## Electrical Connection - U.S.A. Only

### Power Supply Cord

#### **⚠ WARNING**



#### Electrical Shock Hazard

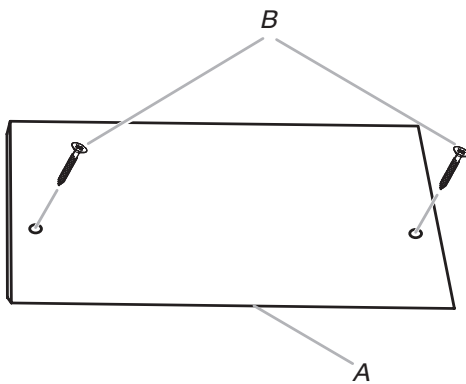
Disconnect power before servicing.

Use a new 40 A power supply cord.

Plug into a grounded outlet.

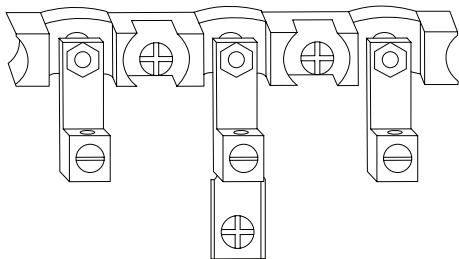
Failure to follow these instructions can result in death, fire, or electrical shock.

1. Disconnect power.
2. Remove the terminal block cover screws located on the back of the range.



A. Terminal block cover  
B. Phillips screws (2)

Remove the top 10-31 hex nut and lugs from each of the 3 terminal blocks and set aside.



### Direct Wire

#### **⚠ WARNING**



#### Electrical Shock Hazard

Disconnect power before servicing.

Use 8 gauge copper or 6 gauge aluminum wire.

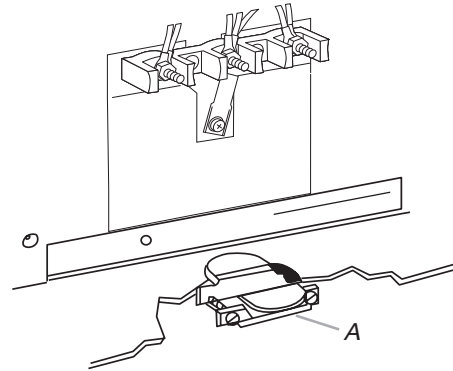
Electrically ground range.

Failure to follow these instructions can result in death, fire, or electrical shock.

3. Add strain relief.

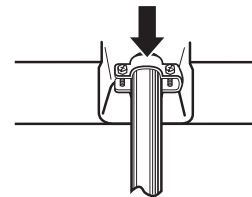
#### Style 1: Power supply cord strain relief

- Assemble a UL listed strain relief in the opening that is centered beneath the conduit bracket.



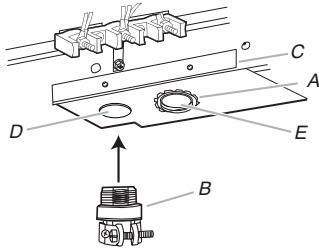
A. UL listed strain relief

- Tighten strain relief screw against the power supply cord.



## Style 2: Direct wire strain relief

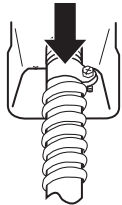
- When direct wiring, relocate the conduit bracket so the left hole is centered beneath the terminal block.
- Assemble a UL listed conduit connector in the opening.



- A. Removable retaining nut  
 B. Conduit  
 C. Conduit bracket  
 D. Direct wire strain relief  
 E. Power cord strain relief

**NOTE :** When direct wiring, use the hole on the left.

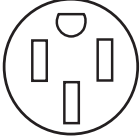
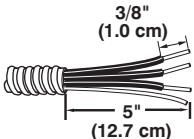
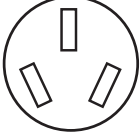
- Tighten strain relief screw against the flexible conduit.

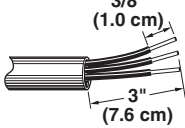


4. Complete installation following instructions for your type of electrical connection:

- 4-wire (recommended)
- 3-wire (if 4-wire is not available)

### Electrical Connection Options

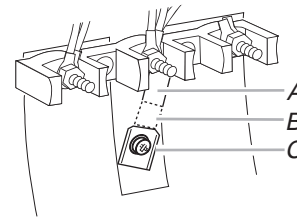
If your home has:	And you will be connecting to:	Go to Section:
4-wire receptacle (NEMA type 14-50R) 	A UL listed, 250 V minimum, 40 A, range power supply cord	4-wire connection: Power supply cord
4-wire direct 	A circuit breaker box or fused disconnect	4-wire connection: Direct wire
3-wire receptacle (NEMA type 10-50R) 	A UL listed, 250 V minimum, 40 A, range power supply cord	3-wire connection: Power supply cord

If your home has:	And you will be connecting to:	Go to Section:
3-wire direct 	A circuit breaker box or fused disconnect	3-wire connection: Direct wire

### 4-wire connection: Power Supply Cord

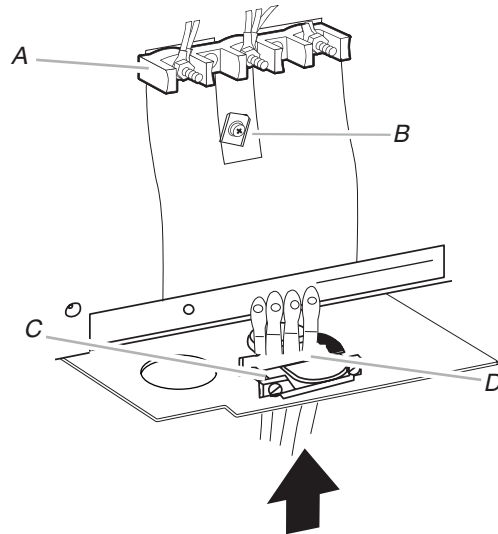
Use this method for:

- New branch-circuit installations (1996 NEC)
  - Mobile homes
  - Recreational vehicles
  - In an area where local codes prohibit grounding through the neutral
- Part of metal ground strap must be cut out and removed.



- A. Metal ground strap  
 B. Discard  
 C. Ground-link screw

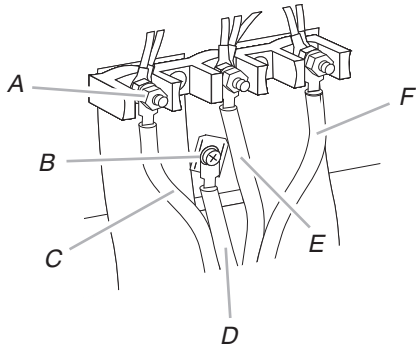
- Use a 5/16" (7.9 mm) nut driver to remove the ground-link screw from the back of the range. Save the ground-link screw and the end of the ground link under the screw.
- Feed the power supply cord through the strain relief on the cord/conduit plate on bottom of range. Allow enough slack to easily attach the wiring to the terminal block.



- A. Terminal block  
 B. Ground-link screw  
 C. UL listed strain relief  
 D. Power supply cord wires

- Use a 5/16" (7.9 mm) nut driver to connect the green ground wire from the power supply cord to the range with the ground-link screw and ground-link section. The ground wire must be attached first.

- Use 3/8" (1.0 cm) nut driver to connect the neutral (white) wire to the center terminal block post with one of the 10-32 hex nuts.



- A. 10-32 hex nut  
 B. Ground-link screw  
 C. Line 2 (red)  
 D. Green ground wire  
 E. Neutral (center) wire  
 F. Line 1 (black)

- Connect line 2 (red) and line 1 (black) wires to the outer terminal block posts with 10-32 hex nuts.
- Securely tighten hex nuts.

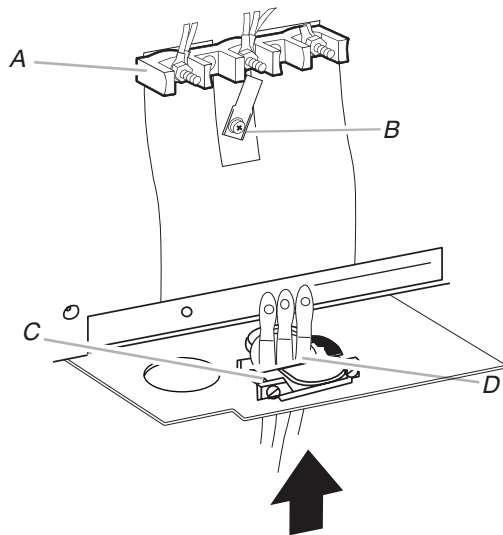
**NOTE:** For power supply cord replacement, use only a power cord rated at 250 V minimum, 40 A or 50 A that is marked for use with nominal 1 3/8" (3.5 cm) diameter connection opening, with ring terminals and marked for use with ranges.

- Tighten strain relief screws.
- Replace terminal block access cover.

### 3-wire connection: Power Supply Cord

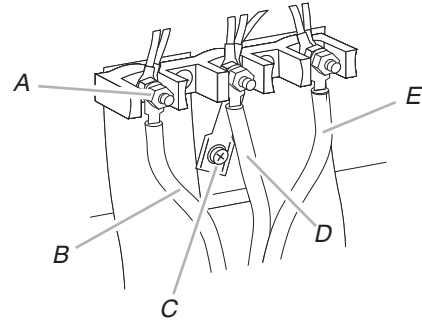
Use this method only if local codes permit connecting chassis ground conductor to neutral wire of power supply cord.

- Feed the power supply cord through the strain relief on the cord/conduit plate on bottom of range. Allow enough slack to easily attach the wiring to the terminal block.



- A. Terminal block  
 B. Ground-link screw  
 C. UL listed strain relief  
 D. Power supply cord wires - large opening

- Use 3/8" (1.0 cm) nut driver to connect the neutral (white) wire to the center terminal block post with one of the 10-32 hex nuts.



- A. 10-32 hex nut  
 B. Line 2 (red)  
 C. Ground-link screw  
 D. Neutral (white) wire  
 E. Line 1 (black)

- Connect line 2 (red) and line 1 (black) wires to the outer terminal block posts with 10-32 hex nuts.
- Securely tighten hex nuts.

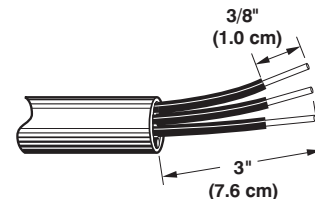
**NOTE:** For power supply cord replacement, use only a power cord rated at 250 V minimum, 40 A or 50 A that is marked for use with nominal 1 3/8" (3.5 cm) diameter connection opening, with ring terminals and marked for use with ranges.

- Tighten strain relief screws.
- Replace terminal block access cover.

### Direct Wire Installation: Copper or Aluminum Wire

This range may be connected directly to the fuse disconnect or circuit breaker box. Depending on your electrical supply, make the required 3-wire or 4-wire connection.

- Strip outer covering back 3" (7.6 cm) to expose wires. Strip the insulation back 3/8" (1.0 cm) from the end of each wire.



- Allow enough slack in the wire to easily attach the wiring terminal block.
- Complete electrical connection according to your type of electrical supply (4-wire or 3-wire connection).

### 4-wire Connection: Direct Wire

Use this method for:

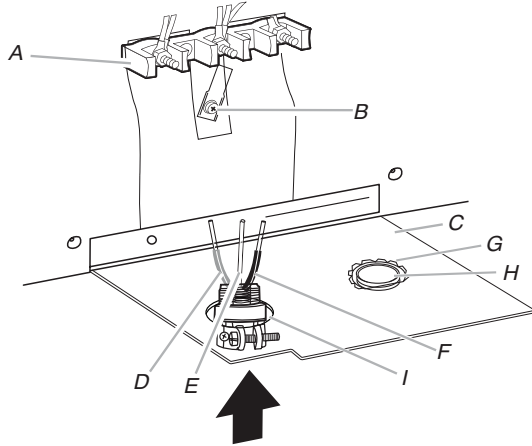
- New branch-circuit installations (1996 NEC)
- Mobile homes
- Recreational vehicles
- In an area where local codes prohibit grounding through the neutral



### 3-wire connection: Direct Wire

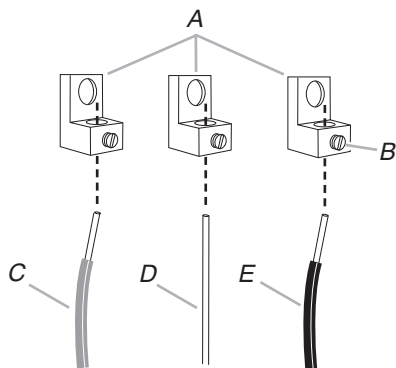
Use this method only if local codes permit connecting ground conductor to neutral supply wire.

1. Pull the wires through the conduit on cord/conduit plate on bottom of range. Allow enough slack to easily attach the wiring to the terminal block.
- When direct wiring, relocate the conduit bracket so the left hole is centered beneath the terminal block.



- A. Terminal block
- B. Ground-link screw
- C. Conduit bracket
- D. Line 2 (red) wire
- E. Bare (green) ground wire
- F. Line 1 (black) wire
- G. Removable retaining nut
- H. Power cord strain relief
- I. Direct wire strain relief

2. Attach terminal lugs to line 2 (red), bare (green) ground, and line 1 (black) wires. Loosen (do not remove) the setscrew on the front of the terminal lug and insert exposed wire end through bottom of terminal lugs. Securely tighten setscrew to torque as shown in the following Bare Wire Torque Specifications chart.



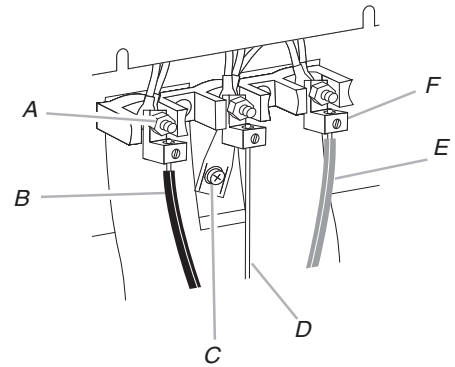
- A. Terminal lug
- B. Setscrew
- C. Line 2 (red) wire
- D. Bare (green) ground wire
- E. Line 1 (black) wire

#### Bare Wire Torque Specifications

Attaching terminal lugs to the terminal block - 20 lbs-in. (2.3 N-m).

Wire Awg	Torque
8 gauge copper	25 lbs-in. (2.8 N-m)
6 gauge aluminum	35 lbs-in. (4.0 N-m)

3. Use 3/8" nut driver to connect the bare (green) ground wire to the center terminal block post with one of the 10-32 hex nuts.



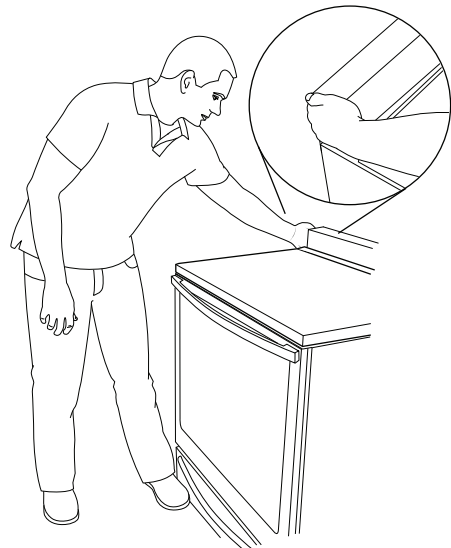
- A. 10-32 hex nut
- B. Line 2 (red)
- C. Ground-link screw
- D. Bare (green) ground wire
- E. Line 1 (black)
- F. Terminal lug

4. Connect line 2 (red) and line 1 (black) wires to the outer terminal block posts with 10-32 hex nuts.
5. Securely tighten hex nuts.
6. Replace terminal block access cover.

### Verify Anti-Tip Bracket Is Installed and Engaged

1. Place the outside of your foot against the bottom front of the drawer, and grasp the lower right or left side of the backguard as shown.

**NOTE:** If your countertop is mounted with a backsplash, it may be necessary to grasp the range higher than is shown in the illustration.



2. Slowly attempt to tilt the range forward. If you encounter immediate resistance, the range foot is engaged in the anti-tip bracket.
3. If the rear of the range lifts more than 1/2" (1.3 cm) off the floor without resistance, stop tilting the range and lower it gently back to the floor. The range foot is not engaged in the anti-tip bracket.

**IMPORTANT:** If there is a snapping or popping sound when lifting the range, the range may not be fully engaged in the bracket. Check to see if there are obstructions keeping the range from sliding to the wall or keeping the range foot from sliding into the bracket. Verify that the bracket is held securely in place by the mounting screws.

4. Slide the range forward, and verify that the anti-tip bracket is securely attached to the floor or wall.
5. Slide range back so the rear range foot is inserted into the slot of the anti-tip bracket.

**IMPORTANT:** If the back of the range is more than 2" (5.1 cm) from the mounting wall, the rear range foot may not engage the bracket. Slide the range forward and determine if there is an obstruction between the range and the mounting wall. If you need assistance or service, refer to the "Assistance or Service" section of the Use and Care Guide, or the cover or "Warranty" for contact information.

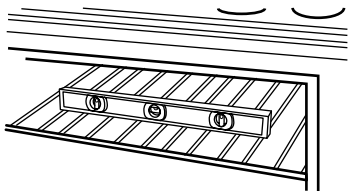
6. Repeat steps 1 and 2 to ensure that the range foot is engaged in the anti-tip bracket.

If the rear of the range lifts more than 1/2" (1.3 cm) off the floor without resistance, the anti-tip bracket may not be installed correctly. Do not operate the range without anti-tip bracket installed and engaged. Please reference the "Assistance or Service" section of the Use and Care Guide, or the cover or "Warranty" to contact service.

## Level Range

Use a wrench or pliers to adjust leveling legs up or down until the range is level. Push range back into position. Check that rear-leveling leg is engaged in the anti-tip bracket.

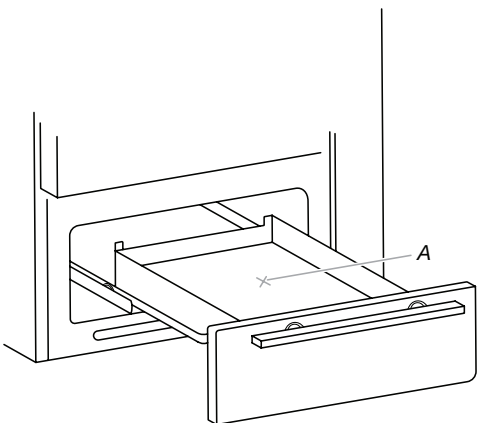
**NOTE:** Range must be level for satisfactory baking performance.



## Storage Drawer

The storage drawer can be removed for easier Cleaning. To remove:

1. Pull drawer out to the stop position.
2. Push up under the center of the drawer while pulling the drawer out to allow the drawer stop to clear the range front frame.



A. Drawer stop notch

3. Drawer will slide out free of range.  
**NOTE :** To avoid damage to the storage drawer, do not use steel wool pads, commercial oven cleaner, silicone oven sprays, coarse pads or coarse brushes.

## Complete Installation

1. Check that all parts are now installed. If there is an extra part, go back through the steps to see which step was skipped.
2. Check that you have all of your tools.
3. Dispose of/recycle all packaging materials.
4. Check that the range is level. See the "Level Range" section.
5. Use a mild solution of liquid household cleaner and warm water to remove waxy residue caused by shipping material. Dry thoroughly with a soft cloth. For more information, read the "Range Care" section of the Use and Care Guide or User Instructions.
6. Read the "Range Use" section of the Use and Care Guide or User Instructions.
7. Plug power cord into appropriate outlet. Turn power on.
8. Turn on surface burners and oven. See the Use and Care Guide or User Instructions for specific instruction on range operation.

### If range does not operate, check the following:

- Household fuse is intact and tight; or circuit breaker has not tripped.
- Range is plugged into an outlet.
- Electrical supply is connected.
- See "Troubleshooting" in the Use and Care Guide or User Instructions.

When the range has been on for 5 minutes, check for heat. If range is cold, turn off the range and see "Troubleshooting" in the Use and Care Guide or User Instructions.

## Moving the Range

### **⚠ WARNING**



#### **Tip Over Hazard**

**A child or adult can tip the range and be killed.**

**Install anti-tip bracket to floor or wall per installation instructions.**

**Slide range back so rear range foot is engaged in the slot of the anti-tip bracket.**

**Re-engage anti-tip bracket if range is moved.**

**Do not operate range without anti-tip bracket installed and engaged.**

**Failure to follow these instructions can result in death or serious burns to children and adults.**

When moving range, slide range onto cardboard or hardboard to avoid damaging the floor covering.

If removing the range is necessary for cleaning or maintenance:

#### **For power supply cord-connected ranges:**

1. Slide range forward.
2. Unplug the power supply cord.
3. Complete cleaning or maintenance.
4. Plug in power supply cord.
5. Check that the anti-tip bracket is installed and engaged. See the "Verify Anti-Tip Bracket Is Installed and Engaged" section.
6. Check that range is level.

For direct-wired ranges:

### **⚠ WARNING**



#### **Electrical Shock Hazard**

**Disconnect power before servicing.**

**Replace all parts and panels before operating.**

**Failure to do so can result in death or electrical shock.**

1. Disconnect power.
2. Slide range forward.
3. Complete cleaning or maintenance.
4. Check that the anti-tip bracket is installed and engaged. See the "Verify Anti-Tip Bracket Is Installed and Engaged" section.
5. Check that range is level.
6. Reconnect power.

# SÉCURITÉ DE LA CUISINIÈRE

## Votre sécurité et celle des autres est très importante.

Nous donnons de nombreux messages de sécurité importants dans ce manuel et sur votre appareil ménager. Assurez-vous de toujours lire tous les messages de sécurité et de vous y conformer.



Voici le symbole d'alerte de sécurité.

Ce symbole d'alerte de sécurité vous signale les dangers potentiels de décès et de blessures graves à vous et à d'autres.

Tous les messages de sécurité suivront le symbole d'alerte de sécurité et le mot "DANGER" ou "AVERTISSEMENT". Ces mots signifient :

**⚠ DANGER**

Risque possible de décès ou de blessure grave si vous ne suivez pas immédiatement les instructions.

**⚠ AVERTISSEMENT**

Risque possible de décès ou de blessure grave si vous ne suivez pas les instructions.

Tous les messages de sécurité vous diront quel est le danger potentiel et vous disent comment réduire le risque de blessure et ce qui peut se produire en cas de non-respect des instructions.

## ⚠ AVERTISSEMENT

### Risque de basculement

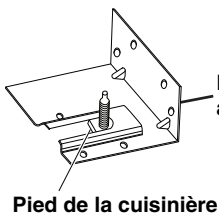
Un enfant ou une personne adulte peut faire basculer la cuisinière, ce qui peut causer un décès.

Vérifier que la bride antibasculement est bien installée et engagée, conformément aux instructions d'installation.

Réengager la bride antibasculement si la cuisinière a été déplacée.

Ne pas faire fonctionner la cuisinière si la bride antibasculement n'est pas installée et engagée.

Le non-respect de ces instructions peut causer un décès ou des brûlures graves aux enfants et aux adultes.



Pour vérifier que la bride antibasculement est bien installée et engagée :

- Faire glisser la cuisinière vers l'avant.
- Vérifier que la bride antibasculement est bien fixée au plancher ou au mur.
- Faire de nouveau glisser la cuisinière vers l'arrière de sorte que le pied de la cuisinière se trouve sous la bride antibasculement.
- Voir les instructions d'installation pour plus de détails.



# EXIGENCES D'INSTALLATION

## Outils et pièces

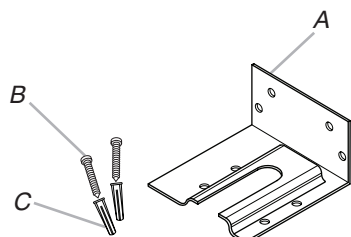
Rassembler les outils et pièces nécessaires avant d'entreprendre l'installation. Lire et observer les instructions fournies avec chacun des outils de la liste ci-dessous.

### Outils nécessaires

- Ruban à mesurer
- Tournevis à lame plate
- Tournevis cruciforme
- Niveau
- Marteau
- Perceuse manuelle ou électrique
- Clé ou pince
- Marqueur ou crayon
- Ruban adhésif de masquage
- Tourne-écrou de 3/8 po (1 cm) et 5/16 po (7,9 mm)
- Foret de 1/8 po (3,2 mm) (pour les planchers de bois)

### Pièces fournies

Vérifier que toutes les pièces sont présentes.



A. Bride antibasculement  
B. (2) vis no 12 x 1 po  
C. (2) chevilles en plastique

- La bride antibasculement doit être bien fixée au plancher ou au mur. La profondeur du plancher peut nécessiter des vis plus longues pour l'ancrage de la bride dans le plancher.

### Pièces nécessaires

En cas d'utilisation d'un cordon d'alimentation électrique :

- Cordon d'alimentation (homologation UL) conçu pour l'utilisation avec une cuisinière. Le cordon devrait avoir une capacité nominale minimum de 250 V à 40 A ou 50 A, être compatible avec une ouverture d'un diamètre nominal de 1 3/8 po (3,5 cm) pour le raccordement et doit posséder des cosses à anneau ou des cosses ouvertes avec bouts dégagés.
- Serre-câbles (homologation UL).

Consulter les codes locaux. Vérifier l'alimentation électrique existante. Voir la section "Spécifications électriques".

Il est recommandé de faire réaliser tous les raccordements électriques par un électricien qualifié agréé.

## Exigences d'emplacement

**IMPORTANT :** Observer les dispositions de tous les codes et règlements en vigueur.

- C'est à l'installateur qu'incombe la responsabilité de respecter les distances de séparation spécifiées sur instructions d'installation. La plaque signalétique est située sous le tiroir de remisage. Consulter les instructions d'installation pour savoir comment enlever le tiroir de remisage.
- Respecter les dimensions indiquées pour les ouvertures à découper dans les meubles. Ces dimensions constituent les valeurs minimales des dégagements.
- La bride antibasculement doit être installée. Pour l'installation de la bride antibasculement fournie avec la cuisinière, voir la section "Installation de la bride antibasculement".
- Une source d'électricité avec liaison à la terre est nécessaire. Voir la section "Spécifications électriques".

**IMPORTANT :** Pour éviter d'endommager vos armoires, vérifier avec le fabricant ou le fournisseur d'armoires pour s'assurer que les matériaux utilisés ne décoloreront et ne délamineront pas ou ne subiront pas d'autres dommages. Ce four a été conçu conformément aux exigences des normes UL et CSA International et respecte les températures maximales permises de 194 °F (90 °C) pour les armoires en bois.

### Résidence mobile – Spécifications additionnelles à respecter lors de l'installation

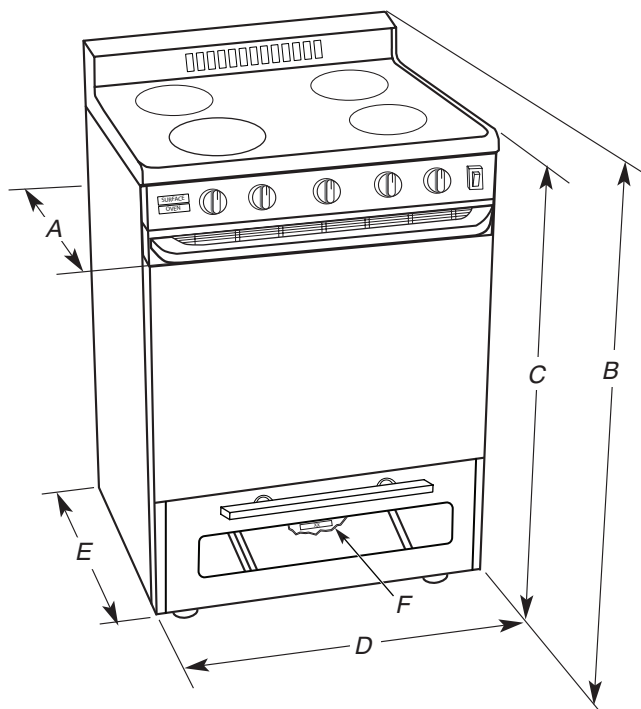
L'installation de cette cuisinière doit s'effectuer conformément à la norme Manufactured Home Construction Safety Standards, Title 24 CFR, Part 3280 (anciennement Federal Standard for Mobile Home Construction and Safety, title 24, HUD, Part 280). Lorsque cette norme n'est pas applicable, utiliser la norme Standard for Manufactured Home Installations, ANSI A225.1/ NFPA 501A ou les dispositions des codes locaux.

Au Canada, l'installation de cette cuisinière doit satisfaire aux stipulations de la version la plus récente de la norme CAN/CSA-Z240 ou des codes locaux en vigueur.

### Critères à respecter pour une installation dans une maison mobile :

- Lorsque cette cuisinière est installée dans une maison mobile, elle doit être fixée selon les instructions de ce document.
- Pour une installation dans une résidence mobile, un câble ou cordon d'alimentation à quatre conducteurs doit être utilisé. Le câblage de l'appareil devra être consulté. Voir la section "Raccordement électrique – É.-U. Seulement".

## Dimensions du produit



- A. Profondeur maximum avec poignée : 28 po (71,1 cm)
- B. Hauteur maximum avec les pieds de nivellement complètement relevés : 37 <sup>7</sup>/<sub>8</sub> po (96,2 cm)\*
- C. Hauteur maximum de la table de cuisson avec les pieds de nivellement complètement relevés : 36 po (91,4 cm)\*
- D. 24 po (60,9 cm) de largeur
- E. Profondeur de l'arrière de la cuisinière à l'avant de la table de cuisson : 25 <sup>3</sup>/<sub>8</sub> po (64,4 cm).\*\*
- F. La plaque signalétique est située sous le tiroir de remisage

**IMPORTANT :** La cuisinière doit être d'aplomb après l'installation. Suivre les instructions de la section "Réglage de l'aplomb de la cuisinière". Il n'est pas recommandé d'utiliser la table de cuisson comme référence pour établir l'aplomb de la cuisinière.

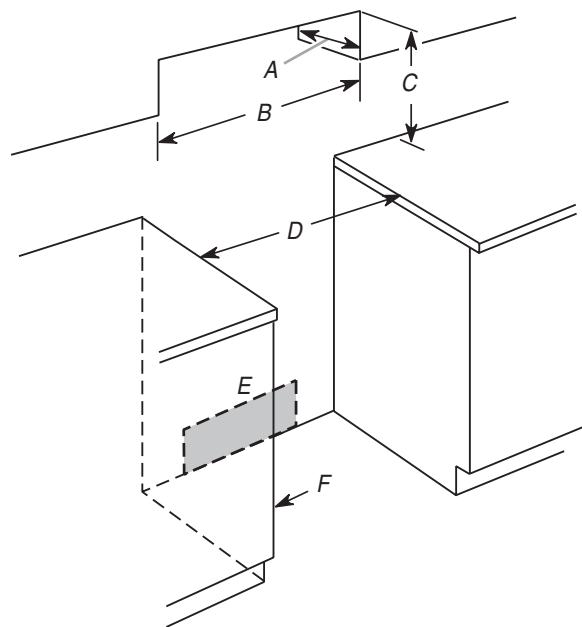
\*La cuisinière peut être surélevée d'environ 3/4 po (1,9 cm) en ajustant les pieds de nivellement.

\*\*L'avant de la porte et du tiroir peut s'avancer davantage en fonction du style du produit.

## Dimensions de l'armoire

Les dimensions de l'ouverture de l'armoire présentée sont : profondeur de comptoir – 25 po (64,0 cm), profondeur de l'armoire – 24 po (61,0 cm) et hauteur du comptoir – 36 po (91,4 cm).

Une cuisinière autoportante peut être installée sans aucun dégagement à proximité de parois combustibles.



- A. Profondeur maximum de l'armoire supérieure : 13 po (33,0 cm)
- B. Largeur minimum de l'ouverture : 24 po (61,0 cm)
- C. Pour le dégagement minimum vers la partie supérieure de la table de cuisson, voir la REMARQUE\*
- D. Largeur minimum de l'ouverture : 24 <sup>3</sup>/<sub>16</sub> po (61,5 cm)
- E. Prise : 3 po (7,6 cm) de l'une des deux armoires, 8 po (20,3 cm) maximum du plancher
- F. La porte ou charnière de l'armoire ne doit pas dépasser à l'intérieur de l'ouverture.

**\*REMARQUE :** Distance de séparation de 24 po (61,0 cm) ou plus lorsque le fond d'une armoire de bois ou de métal est protégé par une planche ignifugée d'au moins 1/4 po (0,64 cm) recouverte d'une feuille métallique d'épaisseur égale ou supérieure à : acier calibre 28 MSG, acier inoxydable 0,015 po (0,4 mm), aluminium 0,024 po (0,6 mm) ou cuivre 0,020 po (0,5 mm).

Un espace d'au moins 30 po (76,2 cm) est nécessaire entre le haut de la table de cuisson et le bas d'une armoire en bois ou en métal sans protection.

# Spécifications électriques

## Spécifications électriques – É.-U. seulement

Si l'on utilise un conducteur distinct de liaison à la terre lorsque les codes le permettent, il est recommandé qu'un électricien qualifié vérifie que la liaison à la terre et le calibre des conducteurs sont conformes aux codes locaux.

Ne pas utiliser de rallonge.

S'assurer que le raccordement électrique est adéquat et conforme au code national de l'électricité, ANSI/NFPA 70 – dernière édition, et à tous les codes et règlements locaux en vigueur.

Pour obtenir un exemplaire des normes des codes ci-dessus, contacter :

National Fire Protection Association  
1 Batterymarch Park  
Quincy, MA 02169-7471

**AVERTISSEMENT :** Un raccordement inapproprié du conducteur de mise à la terre de l'équipement peut causer un risque de décharge électrique. Vérifier avec un électricien ou un technicien de dépannage qualifié en cas de doute quant à la qualité de la liaison à la terre de l'appareil. Ne pas modifier la prise du cordon d'alimentation. Si elle ne correspond pas à la prise de sortie, faire installer une fiche appropriée par un électricien qualifié.

### Raccordement électrique

Pour installer la cuisinière de façon appropriée, il faut établir le type de raccords électriques qui sera utilisé et suivre les instructions de ce document.

- La cuisinière doit être alimentée par une source d'électricité d'une tension et d'une fréquence appropriées, comme spécifiée sur la plaque signalétique. La plaque signalétique est située sous le tiroir de remisage. Consulter les instructions d'installation pour savoir comment enlever le tiroir de remisage. Consulter les images du point "Dimensions du produit" de la section "Exigences d'emplacement".
- La borne du neutre de cette cuisinière est raccordée à la caisse. Utiliser un cordon d'alimentation électrique (raccord flexible) à 3 fils homologué UL, pour 40 ou 50 A (consulter le tableau de la puissance nominale de la cuisinière). Si les codes locaux interdisent le raccordement à la terre au neutre, utiliser un cordon d'alimentation électrique à 4 fils de 250 V, 40 ou 50 A nominal et dont l'utilisation avec les cuisinières a été testée.

Puissance nominale de la cuisinière*		Intensité nominale spécifiée du cordon d'alimentation et de la protection du circuit
120/240 V	120/208 V	A
8,8 à 16,5 kW	7,8 à 12,5 kW	40 ou 50**
16,6 à 22,5 kW	12,6 à 18,5 kW	50

\*La charge NEC calculée est inférieure à la charge totale connectée indiquée sur la plaque signalétique.

\*\*En cas de raccordement à un circuit de 50 A, utiliser un cordon de 50 A nominal avec la trousse. Pour les trousse avec cordon de 50 A nominal, utiliser des trousse conçues pour être utilisées avec une ouverture de raccord d'un diamètre nominal de 1 3/8 po (34,9 mm).

- L'emploi d'un disjoncteur est recommandé.
- La cuisinière peut être raccordée directement au disjoncteur (ou coupe-circuit avec fusible) par l'intermédiaire d'un câble à conducteurs de cuivre ou d'aluminium, à blindage métallique flexible ou à gaine non métallique. Voir la section "Raccordement électrique – É.-U. seulement".
- Prévoir 2 à 3 pi (61,0 cm à 91,4 cm) de jeu pour le câble afin de pouvoir déplacer la cuisinière en cas de réparation.

- Un raccord de conduit homologué UL doit être fourni à chaque extrémité du câble d'alimentation électrique (à la cuisinière et à la boîte de connexion).
- Le calibre des câbles et des raccordements doit être conforme à la puissance nominale de la cuisinière.
- Le schéma de câblage est situé à l'arrière de la cuisinière.

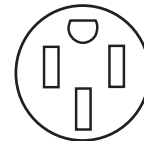
### En cas de raccordement à un circuit à 4 conducteurs :

Cette cuisinière est fabriquée avec la mise à la terre connectée au neutre par une liaison. Le circuit de mise à la terre doit être modifié pour que le conducteur de mise à la terre vert du cordon d'alimentation électrique à 4 conducteurs soit raccordé à la caisse. Voir la section "Raccordement électrique – É.-U. Seulement".

Effectuer une mise à la terre à partir du connecteur neutre est illégal pour les nouvelles installations avec circuit de dérivation (1996 NEC), les maisons mobiles et les véhicules récréatifs ou dans les régions où les codes locaux interdisent la mise à la terre à partir du fil de neutre.

Lorsqu'un réceptacle à 4 fils 14-50R de type NEMA est utilisé, un cordon d'alimentation à 4 fils (avec raccord flexible) pour cuisinière homologué UL de 250 V, 40 ou 50 A correspondant doit être utilisé. Ce cordon contient 4 fils de cuivre avec cosses à anneau ou cosses ouvertes avec bouts dégagés et fiche 14-50P de type NEMA d'un côté.

Le quatrième conducteur (mise à la terre) doit être identifié par une gaine verte, ou vert et jaune, et le conducteur neutre doit être identifié par une gaine blanche. Le cordon doit être de type SRD ou SRDT, être équipé d'un serre-câbles homologué UL et mesurer au moins 4 pi (1,22 m) de long.



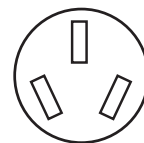
Prise murale à 4 conducteurs (14-50R)

Les conducteurs du cordon d'alimentation à 4 fils de cuivre doivent présenter au minimum les caractéristiques suivantes :

Circuit de 40 A  
2 conducteurs no 8  
1 conducteur blanc neutre no 10  
1 conducteur de terre vert no 8

### En cas de raccordement à un circuit à 3 conducteurs :

Il est possible que les codes locaux permettent l'utilisation d'un cordon d'alimentation (en spirale) pour cuisinière homologué UL, à 3 conducteurs, de 250 V, 40 A ou 50 A. Ce cordon contient 3 fils de cuivre avec cosses à anneau ou cosses ouvertes avec bouts dégagés et fiche 10-50P de type NEMA d'un côté. Des connecteurs du côté de l'appareil doivent être prévus au point d'entrée du cordon d'alimentation. Cet appareil utilise une prise de courant à 3 conducteurs de type NEMA 10-50R.



Prise murale à 3 conducteurs (10-50R)

## Spécifications électriques – Canada seulement

### **⚠ AVERTISSEMENT**



#### Risque de choc électrique

**Relier la cuisinière à la terre.**

**Le non-respect de cette instruction peut causer un décès, un incendie ou un choc électrique.**

Si on utilise un conducteur distinct de liaison à la terre lorsque les codes le permettent, il est recommandé qu'un électricien qualifié vérifie que la liaison à la terre est adéquate et la section des fils conforme aux codes locaux.

Vérifier que le raccordement à la source d'électricité et le calibre des conducteurs sont conformes aux prescriptions de la plus récente édition de la norme CSA C22.1, partie 1 – Code canadien de l'électricité et de tout code ou règlement local en vigueur.

Pour obtenir un exemplaire des normes des codes ci-dessus, contacter :

Canadian Standards Association  
178 Rexdale Blvd.  
Toronto, ON M9W 1R3 CANADA

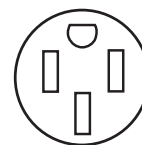
- En cas de doute quant à la qualité de la liaison à la terre de la cuisinière, consulter un électricien qualifié.

Puissance nominale de la cuisinière*	Intensité nominale spécifiée du cordon d'alimentation et de la protection du circuit	
	120/240 V	120/208 V
8,8 - 16,5 kW	7,8 - 12,5 kW	40 ou 50**
16,6 - 22,5 kW	12,6 - 18,5 kW	50

\*La charge NEC calculée est inférieure à la charge totale connectée indiquée sur la plaque signalétique.

\*\*En cas de raccordement à un circuit de 50 A, utiliser un cordon de 50 A nominal avec la trousse. Pour les ensembles avec cordon de 50 A nominal, utiliser des trousse conçues pour être utilisées avec une ouverture de raccord d'un diamètre nominal de 1 3/8 po (34,9 mm).

- On recommande d'utiliser un fusible ou un disjoncteur temporisé.
- Cette cuisinière est équipée d'un cordon électrique homologué par la CSA International à brancher dans une prise murale standard 14-50R. Veiller à ce que la prise murale se trouve à proximité de l'emplacement définitif de la cuisinière.



- Ne pas utiliser de rallonge.

# INSTRUCTIONS D'INSTALLATION

## Déballage de la cuisinière

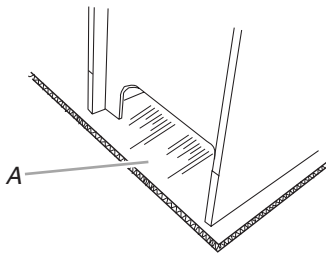
### **AVERTISSEMENT**

#### Risque du poids excessif

Utiliser deux ou plus de personnes pour déplacer et installer la cuisinière.

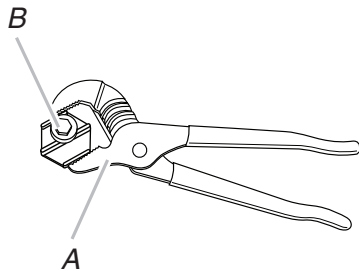
Le non-respect de cette instruction peut causer une blessure au dos ou d'autre blessure.

1. Ôter les matériaux d'emballage, le ruban adhésif et la pellicule protectrice de la cuisinière.
2. Retirer les grilles de four, ainsi que le sachet de pièces de l'intérieur du four et du dessus de la cuisinière.
3. Ne pas enlever la base d'expédition pour l'instant.



A. Base d'expédition

Retirer le tiroir de remisage. Voir la section "Enlever et remettre le tiroir". Utiliser une clé ou une pince pour abaisser les pieds de nivellement avant d'un demi-tour.



A. Clé ou pince

B. Pied de nivellement avant

## Dosseret

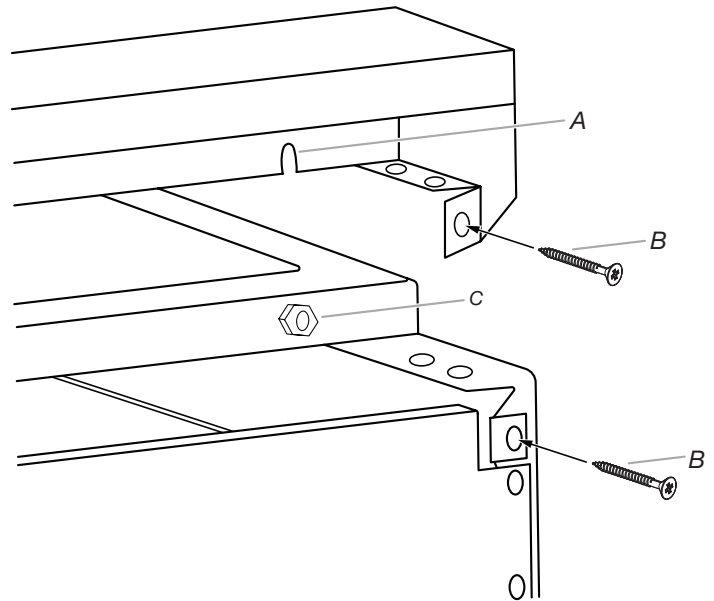
### Outils requis :

Tournevis cruciforme

### Pièces fournies :

(2) vis d'assemblage à tête bombée cruciforme no IOA x 1/2

1. Abaisser le dosseret en alignant ses fentes entre le haut de la cuisinière et les écrous de blocage.
2. Utiliser les deux vis d'assemblage pour fixer les coins arrière du dosseret aux panneaux latéraux.



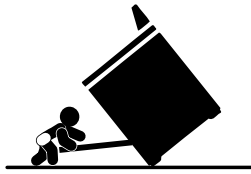
A. Fente de dosseret

B. Vis d'assemblage

C. Écrou de blocage

## Bride antibasculement

### **AVERTISSEMENT**



#### **Risque de basculement**

**Un enfant ou une personne adulte peut faire basculer la cuisinière, ce qui peut causer un décès.**

**Fixer la bride antibasculement au plancher ou au mur, conformément aux instructions d'installation.**

**Faire glisser de nouveau la cuisinière de façon à ce que le pied arrière de la cuisinière se trouve dans la fente de la bride antibasculement.**

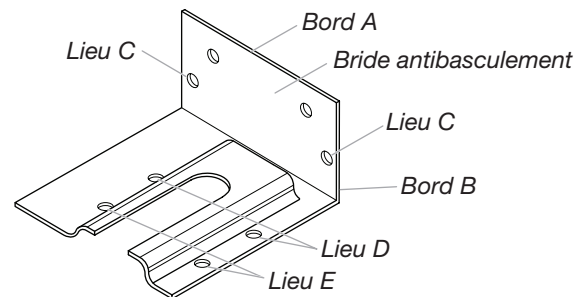
**Réengager la bride antibasculement si la cuisinière a été déplacée.**

**Ne pas faire fonctionner la cuisinière si la bride antibasculement n'est pas installée et engagée.**

**Le non-respect de ces instructions peut causer un décès ou des brûlures graves aux enfants et aux adultes.**

1. Retirer la bride antibasculement contenue dans le sachet de documentation situé à l'intérieur du four.
2. Déterminer la méthode de montage à utiliser : au plancher ou au mur. Pour un plancher en pierre ou en briquetage, on peut utiliser la méthode de montage au mur. En cas d'installation de la cuisinière dans une résidence mobile, il est impératif de fixer la cuisinière au plancher.

3. Il est nécessaire de déterminer l'emplacement final de la cuisinière avant de positionner la bride antibasculement. Si la cuisinière est placée entre des armoires, placer la bride pour que le bord A soit adossé correctement au mur du fond. Le bord B devrait toucher le côté de l'armoire situé du côté droit de la cuisinière.



S'il n'y a pas d'armoire sur le côté, aligner le bord B de la bride avec le bord du côté de la cuisinière. Une fois l'emplacement de la bride déterminé, utiliser un marqueur pour identifier où seront faits les trous.

4. La bride antibasculement peut être fixée au plancher ou au mur. Pour une installation au mur, utiliser l'emplacement C. Lorsque l'emplacement C est utilisé, les vis doivent pénétrer la lisse du mur située à l'intérieur du mur. Pour une installation au plancher, utiliser l'emplacement D ou E. Une vis de chaque côté du support est suffisante.
5. Pour fixer l'ancrage de la bride à un plancher en béton ou en céramique, utiliser un foret de maçonnerie de 3/16 po pour percer les deux trous. Enfoncer les chevilles en plastique dans les trous du plancher à l'aide d'un marteau. Aligner les trous de la bride antibasculement et du plancher. Utiliser les deux vis fournies pour fixer la bride antibasculement au plancher.
6. Dévisser le pied de nivellement arrière d'environ 1/2 po pour qu'il puisse glisser sous la bride antibasculement. Placer la cuisinière à sa position finale une fois les raccordements électrique et au gaz effectués.

## Raccordement électrique - É.-U. seulement

### Cordon d'alimentation

#### ⚠ AVERTISSEMENT



##### Risque de choc électrique

Déconnecter la source de courant électrique avant l'entretien.

Utiliser un cordon d'alimentation électrique neuf de 40 ampères.

Brancher sur une prise reliée à la terre.

Le non-respect de ces instructions peut causer un décès, un incendie ou un choc électrique.

### Raccordement par câblage direct

#### ⚠ AVERTISSEMENT



##### Risque de choc électrique

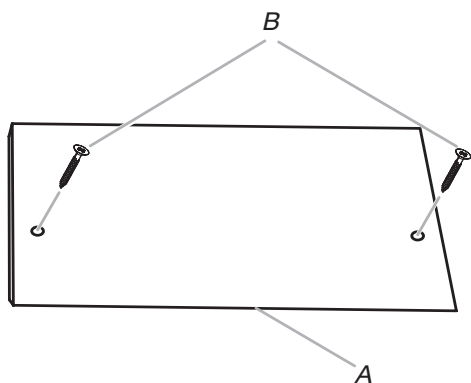
Déconnecter la source de courant électrique avant l'entretien.

Utiliser des conducteurs en cuivre de calibre 8 ou en aluminium de calibre 6.

Relier la cuisinière à la terre.

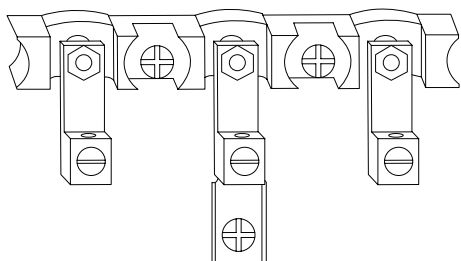
Le non-respect de ces instructions peut causer un décès, un incendie ou un choc électrique.

1. Déconnecter la source de courant électrique.
2. Ôter les vis du couvercle du bornier situées à l'arrière de la cuisinière.



A. Couvercle du bornier  
B. (2) vis cruciformes

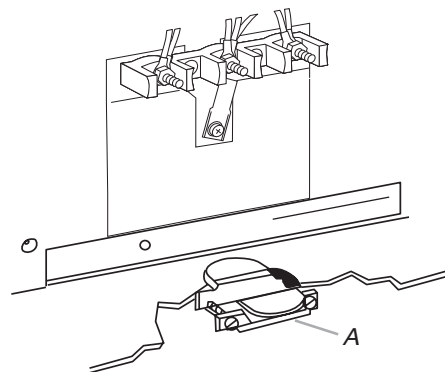
Retirer l'écrou hexagonal 10-31 et les cosses de chacun des trois boîtiers de raccordement, puis les mettre de côté.



3. Ajouter un serre-câbles.

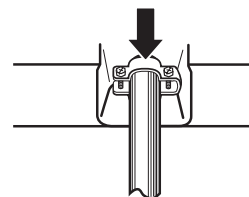
#### Style 1 : Serre-câbles du câble d'alimentation

- Insérer un serre-câbles homologué UL dans l'ouverture centrée sous la bride de conduit.



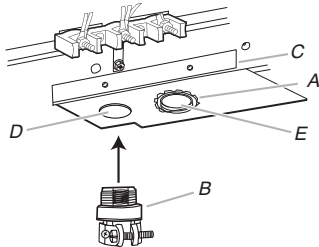
A. Serre-câbles (homologation UL)

- Serrer la vis du serre-câbles autour du cordon d'alimentation.



## Style 2 : Serre-câbles pour raccordement direct

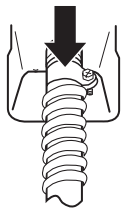
- Si un raccordement par câblage direct est effectué, replacer la bride de conduit pour que le trou de gauche soit centré sous le bornier.
- Assembler un connecteur de conduit homologué UL dans l'ouverture.



- A. Écrou de retenue amovible  
 B. Conduit  
 C. Bride de conduit  
 D. Serre-câbles pour câblage direct  
 E. Serre-câbles du cordon d'alimentation

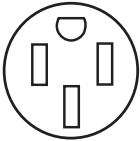
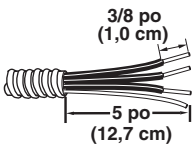
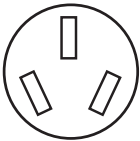
**REMARQUE :** Si un raccordement par câblage direct est effectué, utiliser le trou sur la gauche.

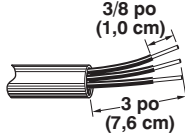
- Serrer la vis du serre-câbles autour du conduit flexible.



4. Terminer l'installation selon les instructions adaptées au type de raccordement électrique :
- 4 conducteurs (recommandé)
  - 3 conducteurs (si un circuit à 4 conducteurs n'est pas disponible)

### Options de raccordement électrique

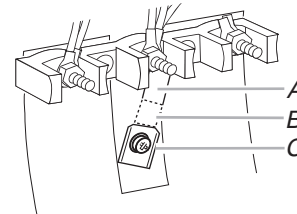
Si le domicile comporte :	Point de distribution :	Voir la section suivante :
Prise murale à 4 fils (type NEMA 14-50R) 	Cordon, d'alimentation, homologué UL, 250 V minimum, 40 A pour cuisinière	Connexion à 4 conducteurs : cordon d'alimentation
Direct – 4 fils 	Un boîtier de disjoncteurs ou un sectionneur à fusible	Connexion à 4 conducteurs : Raccordement par câblage direct
Prise murale à 3 fils (type NEMA 10-50R) 	Cordon d'alimentation, homologué UL, 250 V minimum, 40 A pour cuisinière	Connexion à 3 conducteurs : cordon d'alimentation

Si le domicile comporte :	Point de distribution :	Voir la section suivante :
Direct – 3 fils 	Un boîtier de disjoncteurs ou un sectionneur à fusible	Connexion à 3 conducteurs : Raccordement par câblage direct

### Connexion à 4 conducteurs : Cordon d'alimentation

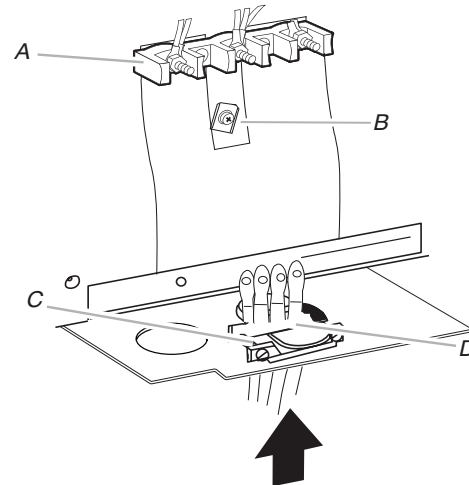
Utiliser cette méthode dans les cas suivants :

- Nouvelles installations avec circuit de dérivation (1996 NEC)
  - Résidences mobiles
  - Véhicules récréatifs
  - Zone où le code local interdit la mise à la terre par l'intermédiaire du neutre
1. Une partie de la barrette métallique de terre doit être coupée et retirée.



- A. Barrette de liaison à la terre métallique  
 B. Partie à éliminer  
 C. Vis de liaison à la terre

2. À l'aide d'un tourne-écrou de 5/16 po (7,9 mm), retirer la vis de liaison à la terre située à l'arrière de la cuisinière. Conserver la vis de liaison à la terre et l'extrémité de la liaison à la terre sous la vis.
3. Passer le cordon d'alimentation par le serre-câbles de la plaque pour cordon/conduit en bas de la cuisinière. Laisser suffisamment de jeu pour raccorder facilement le câblage au bornier.

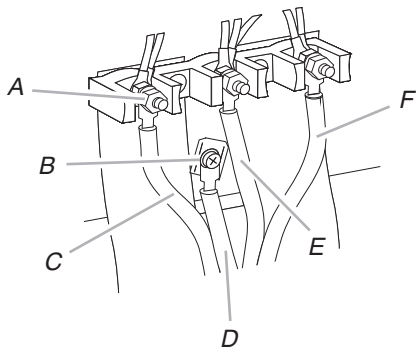


- A. Bornier  
 B. Vis de liaison à la terre  
 C. Serre-câbles (homologation UL)  
 D. Câblage du cordon d'alimentation

4. À l'aide d'un tourne-écrou de 5/16 po (7,9 mm), connecter le fil de mise à la terre vert du cordon d'alimentation à la cuisinière en serrant la vis de liaison à la terre et à la section de liaison à la terre. Le fil de mise à la terre doit être raccordé en premier.



- À l'aide d'un tourne-écrou de 3/8 po (1,0 cm), connecter le conducteur neutre (blanc) au plot central du bornier au moyen d'un des écrous hexagonaux no 10-32.



A. Écrou hexagonal 10-32  
B. Vis de liaison à la terre  
C. Ligne 2 (rouge)  
D. Fil de mise à la terre vert  
E. Conducteur neutre (centre)  
F. Ligne 1 (noir)

- Connectez les conducteurs de la ligne 2 (rouge) et de la ligne 1 (noir) aux bornes externes du bornier avec des écrous hexagonaux no 10-32.

- Bien serrer les écrous hexagonaux.

**REMARQUE :** Lors du remplacement du cordon d'alimentation, utiliser seulement un cordon d'alimentation de calibre 250 V minimum, 40 ou 50 A, conçu pour une ouverture de raccordement de diamètre nominal de 1 3/8 po (3,5 cm), avec cosses circulaires et conçu pour être utilisé avec des cuisinières.

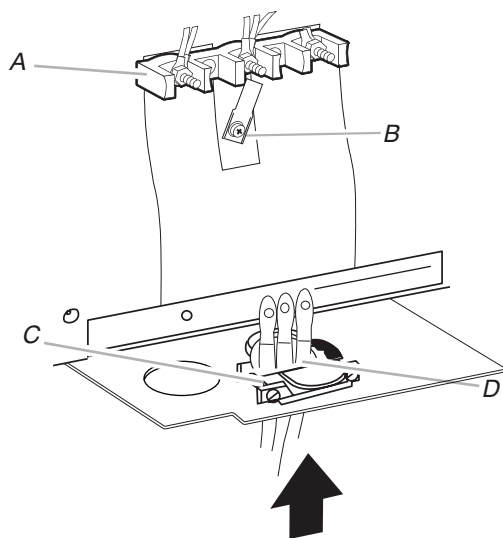
- Serrer les vis du serre-câbles.

- Réinstaller le couvercle du bornier.

### Connexion à 3 conducteurs : Cordon d'alimentation

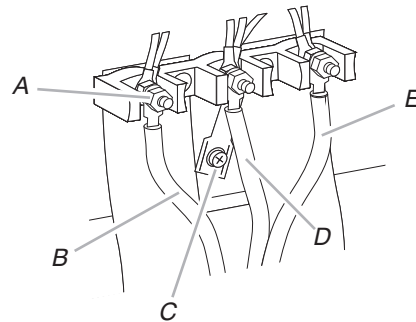
Utiliser cette méthode uniquement si les codes locaux autorisent la connexion du conducteur de mise à la terre du châssis au conducteur du neutre du cordon d'alimentation électrique.

- Passer le cordon d'alimentation par le serre-câbles de la plaque pour cordon/conduit en bas de la cuisinière. Laisser suffisamment de jeu pour raccorder facilement le câblage au bornier.



A. Bornier  
B. Vis de liaison à la terre  
C. Serre-câbles (homologation UL)  
D. Câblage du cordon d'alimentation – grande ouverture

- À l'aide d'un tourne-écrou de 3/8 po (1,0 cm), connecter le conducteur neutre (blanc) au plot central du bornier au moyen d'un des écrous hexagonaux no 10-32.



A. Écrou hexagonal 10-32  
B. Ligne 2 (rouge)  
C. Vis de liaison à la terre  
D. Conducteur du neutre (blanc)  
E. Ligne 1 (noir)

- Connectez les conducteurs de la ligne 2 (rouge) et de la ligne 1 (noir) aux bornes externes du bornier avec des écrous hexagonaux no 10-32.

- Bien serrer les écrous hexagonaux.

**REMARQUE :** Lors du remplacement du cordon d'alimentation, utiliser seulement un cordon d'alimentation de calibre 250 V minimum, 40 ou 50 A, conçu pour une ouverture de raccordement de diamètre nominal de 1 3/8 po (3,5 cm), avec cosses circulaires et conçu pour être utilisé avec des cuisinières.

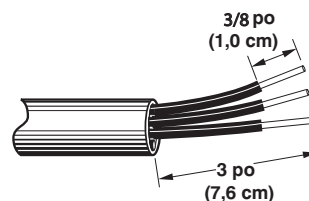
- Serrer les vis du serre-câbles.

- Réinstaller le couvercle du bornier.

### Raccordement par câblage direct : Conducteur de cuivre ou d'aluminium

Cette cuisinière peut être raccordée directement au coupe-circuit avec fusible ou au disjoncteur. En fonction de l'alimentation électrique, réaliser le raccordement nécessaire à 3 ou 4 conducteurs.

- Couper la gaine extérieure sur une longueur de 3 po (7,6 cm) pour exposer les conducteurs. Dénuder chaque fil de sa gaine isolante sur une longueur de 3/8 po (1,0 cm).



- Laisser suffisamment de jeu pour raccorder facilement les conducteurs au bornier.

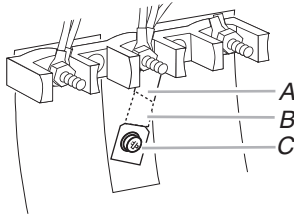
- Terminer le raccordement électrique en fonction du type d'alimentation électrique (raccordement à 3 ou 4 conducteurs).

### Connexion à 4 conducteurs : Raccordement par câblage direct

Utiliser cette méthode dans les cas suivants :

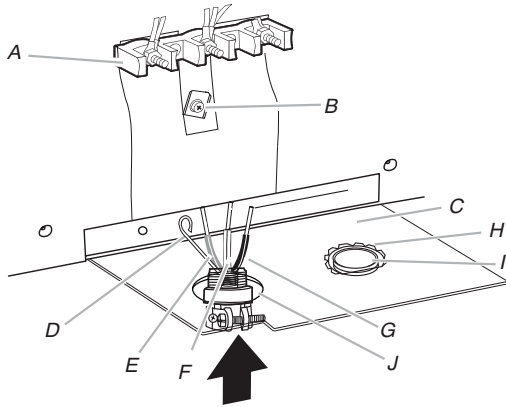
- Nouvelles installations avec circuit de dérivation (1996 NEC)
- Résidences mobiles
- Véhicules récréatifs
- Zone où le code local interdit la mise à la terre par l'intermédiaire du neutre

1. Une partie de la barrette métallique de terre doit être coupée et retirée.



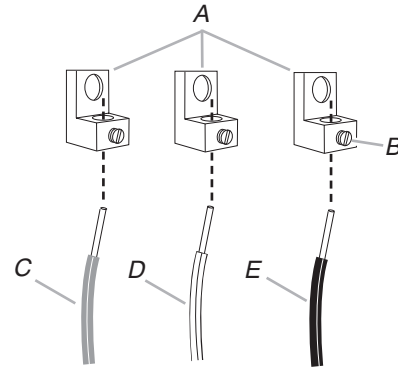
A. Barrette de liaison à la terre métallique  
B. Partie à éliminer  
C. Vis de liaison à la terre

2. À l'aide d'un tourne-écrou de 5/16 po (7,9 mm), retirer la vis de liaison à la terre située à l'arrière de la cuisinière. Conserver la vis de liaison à la terre et l'extrémité de la liaison à la terre sous la vis.
  3. Tirer les conducteurs à travers le serre-câbles au pied de la cuisinière. Laisser suffisamment de jeu pour raccorder facilement le câblage au bornier.
- Si un raccordement par câblage direct est effectué, replacer la bride de conduit pour que le trou de gauche soit centré sous le bornier.



A. Bornier  
B. Vis de liaison à la terre  
C. Bride de conduit  
D. Fil de mise à la terre nu (vert)  
E. Conducteur de ligne 2 (rouge)  
F. Conducteur du neutre (blanc)  
G. Conducteur de ligne 1 (noir)  
H. Écrou de retenue amovible  
I. Serre-câbles du cordon d'alimentation  
J. Serre-câbles pour câblage direct

4. Connecter les cosses aux conducteurs des lignes 1 (noir), neutre (blanc) et 2 (rouge). Desserrer (ne pas enlever) la vis de réglage sur le devant de la cosse et insérer l'extrémité du conducteur nu jusqu'au fond des cosses. Bien serrer la vis de réglage au couple, comme indiqué dans le graphique suivant des spécifications de couple pour fils nus.



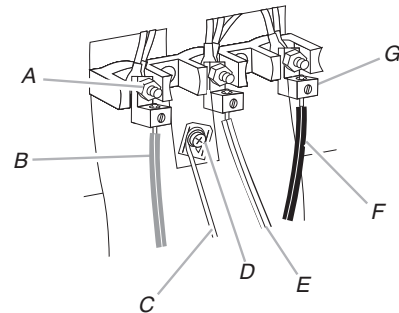
A. Cosse  
B. Vis de blocage  
C. Conducteur de ligne 2 (rouge)  
D. Conducteur du neutre (blanc)  
E. Conducteur de ligne 1 (noir)

#### Spécifications de couple pour les fils nus

Serrage des cosses au bornier : 20 lbs-po (2,3 N-m).

Calibre AWG	Couple
Conducteur de cuivre de calibre 8	25 lbs-po (2,8 N-m)
Conducteur d'aluminium de calibre 6	35 lbs-po (4,0 N-m)

5. Utiliser un tourne-écrou à tête hexagonale ou de 5/16 po (7,9 mm) pour brancher le fil de mise à la terre (vert) dénudé à la cuisinière et à la section de mise à la terre. Le fil de mise à la terre doit être raccordé en premier et ne doit être en contact avec aucune autre borne.
6. À l'aide d'un tourne-écrou de 3/8 po (1,0 cm), connecter le conducteur neutre (blanc) au plot central du bornier au moyen d'un des écrous hexagonaux no 10-32.



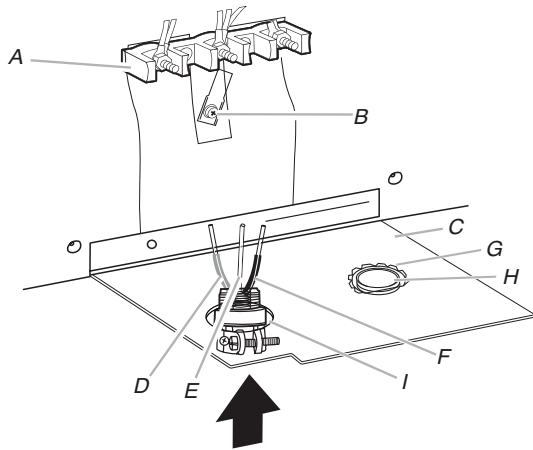
A. Écrou hexagonal 10-32  
B. Ligne 2 (rouge)  
C. Fil de mise à la terre nu (vert)  
D. Vis de liaison à la terre  
E. Conducteur neutre (blanc)  
F. Ligne 1 (noir)  
G. Cosse

7. Connectez les conducteurs de la ligne 2 (rouge) et de la ligne 1 (noir) aux bornes externes du bornier avec des écrous hexagonaux no 10-32.
8. Bien serrer les écrous hexagonaux.
9. Réinstaller le couvercle du bornier.

## Connexion à 3 conducteurs : Raccordement par câblage direct

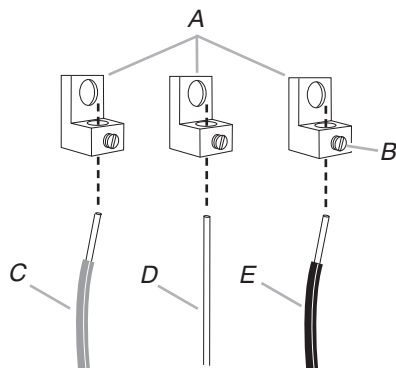
Utiliser cette méthode uniquement si les codes locaux autorisent la connexion du conducteur de mise à la terre au conducteur du neutre de l'alimentation.

- Tirer le câblage à travers le conduit sur la plaque de cordon/conduit en bas de la cuisinière. Laisser suffisamment de jeu pour raccorder facilement le câblage au bornier.
  - Si un raccordement par câblage direct est effectué, remplacer la bride de conduit pour que le trou de gauche soit centré sous le bornier.



- A. Bornier  
 B. Vis de liaison à la terre  
 C. Bride de conduit  
 D. Conducteur de ligne 2 (rouge)  
 E. Fil de mise à la terre nu (vert)  
 F. Conducteur de ligne 1 (noir)  
 G. Écrou de retenue amovible  
 H. Serre-câbles du cordon d'alimentation  
 I. Serre-câbles pour câblage direct

- Fixer les cosses aux conducteurs de la ligne 2 (rouge), de mise à la terre nu (vert) et de la ligne 1 (noir). Desserrer (ne pas enlever) la vis de réglage sur le devant de la cosse et insérer l'extrémité du conducteur nu jusqu'au fond des cosses. Bien serrer la vis de réglage au couple, comme indiqué dans le graphique suivant des spécifications de couple pour fils nus.



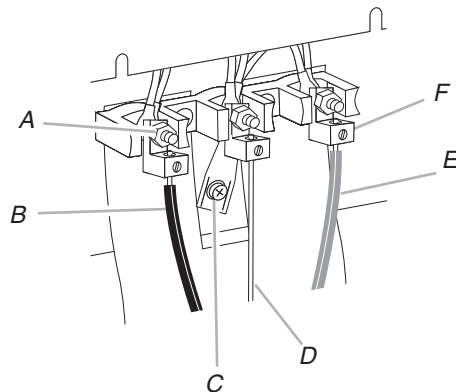
- A. Cosse  
 B. Vis de blocage  
 C. Conducteur de ligne 2 (rouge)  
 D. Fil de mise à la terre nu (vert)  
 E. Conducteur de ligne 1 (noir)

### Spécifications de couple pour les fils nus

Serrage des cosses au bornier : 20 lbs-po (2,3 N-m).

Calibre AWG	Couple
Conducteur de cuivre de calibre 8	25 lbs-po (2,8 N-m)
Conducteur d'aluminium de calibre 6	35 lbs-po (4,0 N-m)

- À l'aide d'un tourne-écrou de 3/8 po, connecter le conducteur neutre nu (vert) au plot central du bornier au moyen d'un des écrous hexagonaux no 10-32.



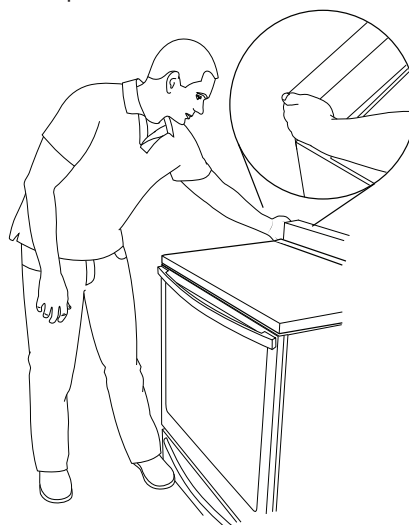
- A. Écrou hexagonal 10-32  
 B. Ligne 2 (rouge)  
 C. Vis de liaison à la terre  
 D. Fil de mise à la terre nu (vert)  
 E. Ligne 1 (noir)  
 F. Cosse

- Connectez les conducteurs de la ligne 2 (rouge) et de la ligne 1 (noir) aux bornes externes du bornier avec des écrous hexagonaux no 10-32.
- Bien serrer les écrous hexagonaux.
- Réinstaller le couvercle du bornier.

## Vérifier que la bride antibasculement est bien installée et engagée

- Placer l'extérieur du pied contre la partie inférieure avant du tiroir et saisir le côté inférieur droit ou gauche du dossierer comme indiqué.

**REMARQUE :** Si le compteur est muni d'un dossierer, il pourrait être nécessaire de saisir la cuisinière plus haut que ce qu'indique l'illustration.



- Tenter d'incliner la cuisinière vers l'avant avec précaution. S'il y a immédiatement une résistance, le pied de la cuisinière est engagé dans la bride antibasculement.
- Si l'arrière de la cuisinière se soulève de plus de 1/2 po (1,3 cm) du plancher sans opposer de résistance, cesser d'incliner la cuisinière et la reposer doucement sur le plancher. Le pied de la cuisinière n'est pas engagé dans la bride antibasculement.

**IMPORTANT :** Si on entend un claquement ou un bruit d'éclatement lorsqu'on soulève la cuisinière, cela signifie peut-être que la cuisinière n'est pas bien engagée dans la bride. Vérifier qu'aucun obstacle n'empêche la cuisinière de glisser jusqu'au mur ou le pied de la cuisinière de glisser dans la bride. Vérifier que la bride est fermement maintenue en place par les vis de montage.

- Glisser la cuisinière vers l'avant et vérifier que la bride antibasculement est bien fixée au plancher ou au mur.
- Faire glisser de nouveau la cuisinière de façon à ce que son pied arrière se trouve dans la fente de la bride antibasculement.

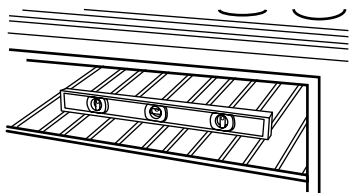
**IMPORTANT :** Si l'arrière de la cuisinière se trouve à plus de 2 po (5,1 cm) du mur de montage, cela signifie que le pied arrière de la cuisinière n'est peut-être pas engagé dans la bride. Glisser la cuisinière vers l'avant et déterminer si un objet fait obstruction entre la cuisinière et la paroi de montage. Pour obtenir de l'aide ou un entretien, consulter la section "Assistance ou service" du guide d'utilisation et d'entretien, la couverture ou "Garantie" pour obtenir les coordonnées des personnes à contacter.

- Répéter les étapes 1 et 2 pour s'assurer que le pied de la cuisinière est bien engagé dans la bride antibasculement.  
Si l'arrière de la cuisinière se soulève de plus de 1/2 po (1,3 cm) du plancher sans opposer de résistance, cela peut signifier que la bride antibasculement n'est pas correctement installée. Ne pas faire fonctionner la cuisinière si la bride antibasculement n'est pas installée et engagée. Consulter la section "Assistance ou Service" du guide d'utilisation et d'entretien, la couverture ou "Garantie" pour obtenir les coordonnées des personnes à contacter.

## Réglage de l'aplomb de la cuisinière

Utiliser une clé ou une pince pour régler les pieds de nivellement vers le haut ou vers le bas jusqu'à ce que la cuisinière soit d'aplomb. Repousser la cuisinière pour la remettre en place. Vérifier que le pied de nivellement arrière est engagé dans la bride antibasculement.

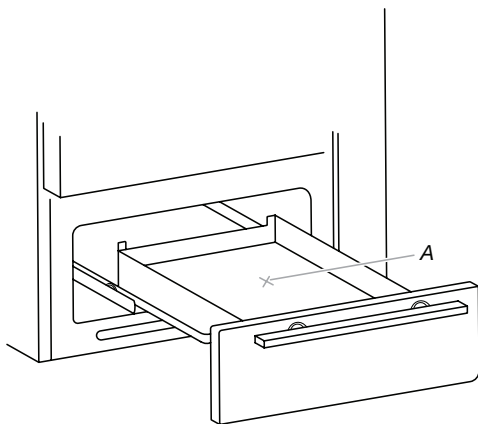
**REMARQUE :** La cuisinière doit être d'aplomb pour que les résultats de cuisson au four soient satisfaisants.



## Tiroir de remisage

Le tiroir de remisage peut être enlevé pour faciliter le nettoyage. Pour l'enlever :

- Tirer le tiroir de remisage jusqu'à la butée.
- Soulever le centre du tiroir tout en le tirant vers l'extérieur pour permettre au tiroir de passer la butée et d'être enlevé du cadre de la cuisinière.



A. Encoche d'arrêt du tiroir

- Le tiroir pourra être enlevé de la cuisinière.  
**REMARQUE :** Pour éviter tout dommage au tiroir de remisage, ne pas utiliser de tampons en laines d'acier, de nettoyant commercial pour four, de silicone en aérosol pour four et de tampons ou de brosses rudes.

## Terminer l'installation

- Vérifier que toutes les pièces sont maintenant installées. S'il reste une pièce, passer en revue les différentes étapes pour découvrir laquelle aurait été oubliée.
- Vérifier la présence de tous les outils.
- Éliminer/recycler tous les matériaux d'emballage.
- Vérifier que la cuisinière est d'aplomb. Voir la section "Réglage de l'aplomb de la cuisinière".
- Utiliser une solution d'eau tiède et de nettoyant ménager doux pour éliminer tout résidu de cire laissé par les matériaux d'emballage. Sécher soigneusement avec un chiffon doux. Pour plus d'informations, consulter la section "Entretien de la cuisinière" dans le guide d'utilisation et d'entretien ou les instructions d'utilisation.
- Lire la section "Entretien de la cuisinière" du guide d'utilisation et d'entretien ou des instructions d'utilisation.
- Brancher le cordon électrique dans la prise de courant appropriée. Mettre l'appareil sous tension.
- Mettre en marche les brûleurs de surface et le four. Consulter le guide d'utilisation et d'entretien ou les instructions d'utilisation pour des instructions spécifiques sur le fonctionnement de la cuisinière.

### Si la cuisinière ne fonctionne pas, contrôler ce qui suit :

- Les fusibles du domicile sont intacts et serrés; le disjoncteur n'est pas déclenché.
- La cuisinière est branchée sur une prise électrique.
- La prise de courant est correctement alimentée.
- Voir la section "Dépannage" dans le guide d'utilisation et d'entretien ou les instructions d'utilisation.

Après 5 minutes de fonctionnement de la cuisinière, vérifier la chaleur. Si la cuisinière est froide, fermer la cuisinière et consulter la section "Dépannage" du guide d'utilisation et d'entretien ou du guide d'utilisation.

## Déplacement de la cuisinière

### **⚠ AVERTISSEMENT**



#### **Risque de basculement**

**Un enfant ou une personne adulte peut faire basculer la cuisinière, ce qui peut causer un décès.**

**Fixer la bride antibasculement au plancher ou au mur, conformément aux instructions d'installation.**

**Faire glisser de nouveau la cuisinière de façon à ce que le pied arrière de la cuisinière se trouve dans la fente de la bride antibasculement.**

**Réengager la bride antibasculement si la cuisinière a été déplacée.**

**Ne pas faire fonctionner la cuisinière si la bride antibasculement n'est pas installée et engagée.**

**Le non-respect de ces instructions peut causer un décès ou des brûlures graves aux enfants et aux adultes.**

Pour les cuisinières avec câblage direct :

### **⚠ AVERTISSEMENT**



#### **Risque de choc électrique**

**Déconnecter la source de courant électrique avant l'entretien.**

**Replacer pièces et panneaux avant de faire la remise en marche.**

**Le non-respect de ces instructions peut causer un décès ou un choc électrique.**

1. Déconnecter la source de courant électrique.
2. Faire glisser la cuisinière vers l'avant.
3. Effectuer le nettoyage ou l'entretien.
4. Vérifier que la bride antibasculement est bien installée et engagée. Voir la section "Vérifier que la bride antibasculement est bien installée et engagée".
5. Vérifier que la cuisinière est d'aplomb.
6. Rétablir l'alimentation électrique.

Lorsqu'on déplace la cuisinière, la faire glisser sur une planche de carton ou en matériau dur pour éviter d'endommager le revêtement du sol.

Si le déplacement de la cuisinière est nécessaire pour le nettoyage ou l'entretien :

#### **Cuisinières alimentées par cordon d'alimentation :**

1. Faire glisser la cuisinière vers l'avant.
2. Débrancher le cordon d'alimentation électrique.
3. Effectuer le nettoyage ou l'entretien.
4. Brancher le cordon d'alimentation électrique.
5. Vérifier que la bride antibasculement est bien installée et engagée. Voir la section "Vérifier que la bride antibasculement est bien installée et engagée".
6. Vérifier que la cuisinière est d'aplomb.

---

## Remarques

---

## Remarques

