



REFRIGERATOR USER INSTRUCTIONS

THANK YOU for purchasing this high-quality product. Register your new refrigerator at www.whirlpool.com. In Canada, register your refrigerator at www.whirlpool.ca.

For future reference, please make a note of your product model and serial numbers. These can be located on the inside wall of the refrigerator compartment.

Model Number _____

Serial Number _____

Table of Contents / Índice / Table des matières

REFRIGERATOR SAFETY	2	SEGURIDAD DEL REFRIGERADOR...	23	SÉCURITÉ DU RÉFRIGÉRATEUR	47
INSTALLATION INSTRUCTIONS	3	INSTRUCCIONES		INSTRUCTIONS D'INSTALLATION	48
Unpack the Refrigerator.....	3	DE INSTALACIÓN	24	Déballage du réfrigérateur	48
Location Requirements.....	4	Desempaque el refrigerador	24	Exigences d'emplacement.....	49
Electrical Requirements	4	Requisitos de ubicación	25	Spécifications électriques	49
Water Supply Requirements.....	4	Requisitos eléctricos.....	26	Spécifications de l'alimentation	
Connect the Water Supply.....	5	Requisitos del suministro de agua	26	en eau.....	50
Refrigerator Door(s) and Drawer	6	Conexión del suministro de agua.....	26	Raccordement de la canalisation	
Door Closing and Door Alignment.....	12	Puerta(s) y cajón del refrigerador.....	28	d'eau.....	50
REFRIGERATOR USE	12	Cierre y alineamiento de la puerta....	34	Porte(s) et tiroir du réfrigérateur	52
Opening and Closing Doors.....	12	USO DE SU REFRIGERADOR.....	34	Fermeture et alignement de la porte.....	58
Using the Controls	13	Cómo abrir y cerrar las puertas	34	UTILISATION DU RÉFRIGÉRATEUR.....	58
Ice Maker.....	14	Uso de los controles	35	Ouverture et fermeture des portes	58
Water Dispenser.....	15	Fábrica de hielo.....	37	Utilisation des commandes	59
Water Filtration System.....	15	Despachador de agua	37	Machine à glaçons	61
REFRIGERATOR CARE	15	Sistema de filtración de agua	37	Distributeur d'eau.....	61
Cleaning	15	CUIDADO DE SU REFRIGERADOR ...	38	Système de filtration de l'eau	61
Changing the Light Bulb	16	Limpieza	38	ENTRETIEN DU RÉFRIGÉRATEUR	62
Vacation and Moving Care	16	Cómo cambiar el foco	38	Nettoyage	62
TROUBLESHOOTING	17	Cuidado durante las vacaciones		Remplacement de l'ampoule	
Refrigerator Operation	17	y mudanzas.....	39	d'éclairage.....	62
Temperature and Moisture	18	SOLUCIÓN DE PROBLEMAS	40	Entretien avant les vacances ou	
Ice and Water	18	Funcionamiento del refrigerador	40	lors d'un déménagement	63
PERFORMANCE DATA SHEETS	20	Temperatura y humedad	41	DÉPANNAGE	64
WARRANTY	22	Hielo y agua	41	Fonctionnement du réfrigérateur	64
		HOJA DE DATOS		Température et humidité.....	65
		DEL RENDIMIENTO	43	Glaçons et eau	65
		GARANTÍA	45	FEUILLES DE DONNÉES SUR	
				LA PERFORMANCE	67
				GARANTIE	69

REFRIGERATOR SAFETY

Your safety and the safety of others are very important.

We have provided many important safety messages in this manual and on your appliance. Always read and obey all safety messages.



This is the safety alert symbol.

This symbol alerts you to potential hazards that can kill or hurt you and others.

All safety messages will follow the safety alert symbol and either the word "DANGER" or "WARNING."

These words mean:

⚠ DANGER

You can be killed or seriously injured if you don't immediately follow instructions.

⚠ WARNING

You can be killed or seriously injured if you don't follow instructions.

All safety messages will tell you what the potential hazard is, tell you how to reduce the chance of injury, and tell you what can happen if the instructions are not followed.

IMPORTANT SAFETY INSTRUCTIONS

WARNING: To reduce the risk of fire, electric shock, or injury when using your refrigerator, follow these basic precautions:

- Plug into a grounded 3 prong outlet.
- Do not remove ground prong.
- Do not use an adapter.
- Do not use an extension cord.
- Disconnect power before servicing.
- Replace all parts and panels before operating.
- Remove doors from your old refrigerator.
- Use nonflammable cleaner.
- Keep flammable materials and vapors, such as gasoline, away from refrigerator.
- Use two or more people to move and install refrigerator.
- Disconnect power before installing ice maker (on ice maker kit ready models only).
- Use a sturdy glass when dispensing ice (on some models).
- Do not hit the refrigerator glass doors (on some models).

SAVE THESE INSTRUCTIONS

State of California Proposition 65 Warnings:

WARNING: This product contains one or more chemicals known to the State of California to cause cancer.

WARNING: This product contains one or more chemicals known to the State of California to cause birth defects or other reproductive harm.

Proper Disposal of Your Old Refrigerator

! WARNING

Suffocation Hazard

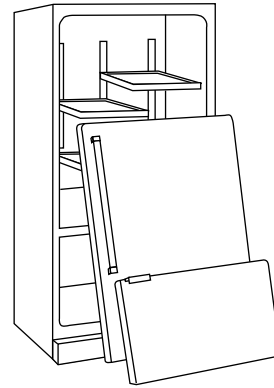
Remove doors from your old refrigerator.

Failure to do so can result in death or brain damage.

IMPORTANT: Child entrapment and suffocation are not problems of the past. Junked or abandoned refrigerators are still dangerous – even if they will sit for “just a few days.” If you are getting rid of your old refrigerator, please follow these instructions to help prevent accidents.

Before You Throw Away Your Old Refrigerator or Freezer:

- Take off the doors.
- Leave the shelves in place so that children may not easily climb inside.



Important information to know about disposal of refrigerants:

Dispose of refrigerator in accordance with Federal and Local regulations. Refrigerants must be evacuated by a licensed, EPA certified refrigerant technician in accordance with established procedures.

INSTALLATION INSTRUCTIONS

Unpack the Refrigerator

! WARNING

Excessive Weight Hazard

Use two or more people to move and install refrigerator.

Failure to do so can result in back or other injury.

When Moving Your Refrigerator:

Your refrigerator is heavy. When moving the refrigerator for cleaning or service, be sure to cover the floor with cardboard or hardboard to avoid floor damage. Always pull the refrigerator straight out when moving it. Do not wiggle or “walk” the refrigerator when trying to move it, as floor damage could occur.

Clean Before Using

After you remove all of the packaging materials, clean the inside of your refrigerator before using it. See the cleaning instructions in “Refrigerator Care.”

Important information to know about glass shelves and covers:

Do not clean glass shelves or covers with warm water when they are cold. Shelves and covers may break if exposed to sudden temperature changes or impact, such as bumping. Tempered glass is designed to shatter into many small, pebble-size pieces. This is normal. Glass shelves and covers are heavy. Use both hands when removing them to avoid dropping.

Remove the Packaging

- Remove tape and glue residue from surfaces before turning on the refrigerator. Rub a small amount of liquid dish soap over the adhesive with your fingers. Wipe with warm water and dry.
- Do not use sharp instruments, rubbing alcohol, flammable fluids, or abrasive cleaners to remove tape or glue. These products can damage the surface of your refrigerator. For more information, see “Refrigerator Safety.”
- Dispose of/recycle all packaging materials.

Location Requirements

⚠️ WARNING



Explosion Hazard

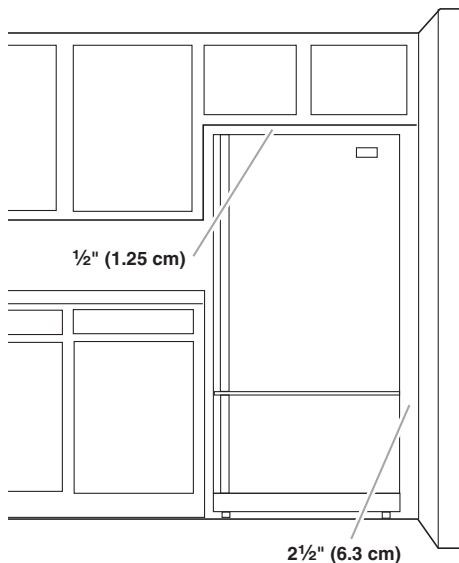
Keep flammable materials and vapors, such as gasoline, away from refrigerator.

Failure to do so can result in death, explosion, or fire.

IMPORTANT: This refrigerator is designed for indoor, household use only.

To ensure proper ventilation for your refrigerator, allow for ½" (1.25 cm) of space on each side and at the top. Allow for 1" (2.54 cm) of space behind the refrigerator. If your refrigerator has an ice maker, allow extra space at the back for the water line connections. When installing your refrigerator next to a fixed wall, leave 2½" (6.3 cm) minimum on the hinge side (some models require more) to allow for the door to swing open.

NOTE: This refrigerator is intended for use in a location where the temperature ranges from a minimum of 55°F (13°C) to a maximum of 110°F (43°C). The preferred room temperature range for optimum performance, which reduces electricity usage and provides superior cooling, is between 60°F (15°C) and 90°F (32°C). It is recommended that you do not install the refrigerator near a heat source, such as an oven or radiator.



Electrical Requirements

⚠️ WARNING



Electrical Shock Hazard

Plug into a grounded 3 prong outlet.

Do not remove ground prong.

Do not use an adapter.

Do not use an extension cord.

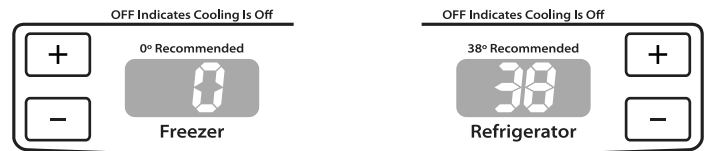
Failure to follow these instructions can result in death, fire, or electrical shock.

Before you move your refrigerator into its final location, it is important to make sure you have the proper electrical connection.

Recommended Grounding Method

A 115 volt, 60 Hz, AC only 15- or 20-amp fused, grounded electrical supply is required. It is recommended that a separate circuit serving only your refrigerator be provided. Use an outlet that cannot be turned off by a switch. Do not use an extension cord.

NOTE: Before performing any type of installation, cleaning, or removing a light bulb, turn the refrigerator to OFF. Depending on your model, either turn the freezer control to the word OFF, or press the Minus sign touch pads repeatedly until a dash (-) appears in both the Freezer and Refrigerator displays as shown. Disconnect the refrigerator from the electrical source. When you are finished, reconnect the refrigerator to the electrical source and reset the temperature controls to the desired setting. See "Using the Controls."



Water Supply Requirements

Gather the required tools and parts before starting installation. Read and follow the instructions provided with any tools listed here.

TOOLS NEEDED:

- Flat-blade screwdriver
- ¼" Nut driver
- 7/16" and ½" Open-end or two adjustable wrenches
- ¼" Drill bit
- Cordless drill

IMPORTANT:

- All installations must meet local plumbing code requirements.
- Do not use a piercing-type or 3/16" (4.76 mm) saddle valve which reduces water flow and clogs more easily.
- Use copper tubing and check for leaks. Install copper tubing only in areas where the household temperatures will remain above freezing.
- For models with water filters, the disposable water filter should be replaced at least every 6 months.

Water Pressure

A cold water supply with water pressure of between 35 and 120 psi (241 and 827 kPa) is required to operate the water dispenser and ice maker. If you have questions about your water pressure, call a licensed, qualified plumber.

Reverse Osmosis Water Supply

IMPORTANT: The pressure of the water supply coming out of a reverse osmosis system going to the water inlet valve of the refrigerator needs to be between 35 and 120 psi (241 and 827 kPa).

If a reverse osmosis water filtration system is connected to your cold water supply, the water pressure to the reverse osmosis system needs to be a minimum of 40 to 60 psi (276 to 414 kPa).

If the water pressure to the reverse osmosis system is less than 40 to 60 psi (276 to 414 kPa):

- Check to see whether the sediment filter in the reverse osmosis system is blocked. Replace the filter if necessary.
- Allow the storage tank on the reverse osmosis system to refill after heavy usage.
- If your refrigerator has a water filter, it may further reduce the water pressure when used in conjunction with a reverse osmosis system. Remove the water filter. See "Water Filtration System."

If you have questions about your water pressure, call a licensed, qualified plumber.

Connect the Water Supply

Read all directions before you begin.

IMPORTANT:

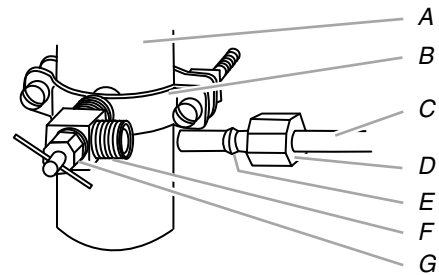
- Plumbing shall be installed in accordance with the International Plumbing Code and any local codes and ordinances.
- The gray water tubing on the back of the refrigerator (which is used to connect to the household water line) is a PEX (cross-linked polyethylene) tube. Copper and PEX tubing connections from the household water line to the refrigerator are acceptable, and will help avoid off-taste or odor in your ice or water. Check for leaks.
If PEX tubing is used instead of copper, we recommend the following part numbers:
W10505928RP (7 ft [2.14 m] jacketed PEX),
8212547RP (5 ft [1.52 m] PEX), or
W10267701RP (25 ft [7.62 m] PEX).
- Install tubing only in areas where temperatures will remain above freezing.
- If you turn on the refrigerator before the water line is connected, turn off the ice maker to avoid excessive noise or damage to the water valve.

Connect to Water Line

1. Unplug refrigerator or disconnect power.
2. Turn OFF main water supply. Turn ON nearest faucet long enough to clear line of water.
3. Find a ½" to 1¼" (12.7 mm to 31.8 mm) vertical cold water pipe near the refrigerator.

IMPORTANT:

- Make sure it is a cold water pipe.
 - Horizontal pipe will work, but the following procedure must be followed: Drill on the top side of the pipe, not the bottom. This will help keep water away from the drill. This also keeps normal sediment from collecting in the valve.
4. Determine the length of copper tubing you need. Measure from the connection on the lower right rear of the refrigerator to the water pipe. Add 7 ft (2.1 m) to allow for cleaning. Use ¼" (6.35 mm) O.D. (outside diameter) copper tubing. Be sure both ends of copper tubing are cut square.
 5. Using a cordless drill, drill a ¼" hole in the cold water pipe you have selected.



A. Cold water pipe
B. Pipe clamp
C. Copper tubing
D. Compression nut
E. Compression sleeve
F. Shutoff valve
G. Packing nut

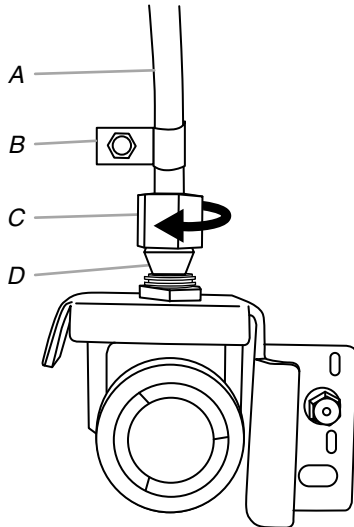
6. Fasten the shutoff valve to the cold water pipe with the pipe clamp. Be sure the outlet end is solidly in the ¼" drilled hole in the water pipe and that the washer is under the pipe clamp. Tighten the packing nut. Tighten the pipe clamp screws slowly and evenly so the washer makes a watertight seal. Do not overtighten.
7. Slip the compression sleeve and compression nut on the copper tubing as shown. Insert the end of the tubing into the outlet end squarely as far as it will go. Screw compression nut onto outlet end with adjustable wrench. Do not overtighten or you may crush the copper tubing.
8. Place the free end of the tubing in a container or sink, and turn ON the main water supply. Flush the tubing until water is clear. Turn OFF the shutoff valve on the water pipe.

Connect to Refrigerator

Depending on your model, the water line may come down from the top or up from the bottom. Follow the connection instructions for your model.

Style 1

1. Remove plastic cap from water valve inlet port. Attach the copper tube to the valve inlet using a compression nut and sleeve as shown. Tighten the compression nut. Do not overtighten. Confirm copper tubing is secure by pulling on copper tubing.
2. Create a service loop with the copper tubing. Avoid kinks when coiling the copper tubing. Secure copper tubing to refrigerator cabinet with a "P" clamp.

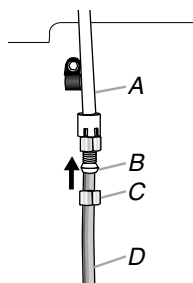


A. Copper tubing
B. "P" clamp
C. Compression nut
D. Compression sleeve

3. Turn on water supply to refrigerator and check for leaks. Correct any leaks.

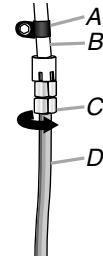
Style 2

1. Create a service loop (minimum diameter of 2 ft [61 cm]) with the copper tubing. Avoid kinks when coiling the copper tubing.
2. Remove the plastic cap from water valve inlet port. Place a compression nut and sleeve on the copper tubing.
3. Insert the end of the copper tubing into the water valve inlet port. Shape tubing slightly so that the tubing feeds straight into the port to avoid kinks.
4. Slide the compression nut over the sleeve and screw into the water valve inlet port.



A. Plastic water tubing
B. Sleeve
C. Compression nut
D. Copper tubing

5. Using an adjustable wrench, hold the nut on the plastic water line to keep it from moving. Then, with a second wrench turn the compression nut on the copper tubing counterclockwise to completely tighten. Do not overtighten.



A. "P" clamp
B. Plastic water line
C. Compression nut
D. Copper tubing

6. Check connection by pulling on copper tubing. Attach the plastic water line to the refrigerator cabinet with a "P" clamp.
7. Turn on water supply to the refrigerator and check for leaks. Correct any leaks.

Complete the Installation

⚠ WARNING



Electrical Shock Hazard

Plug into a grounded 3 prong outlet.

Do not remove ground prong.

Do not use an adapter.

Do not use an extension cord.

Failure to follow these instructions can result in death, fire, or electrical shock.

1. Plug into a grounded 3 prong outlet.

NOTE: Allow 24 hours to produce the first batch of ice. Discard the first three batches of ice produced. Allow 3 days to completely fill the ice storage bin.

Refrigerator Door(s) and Drawer

TOOLS NEEDED: $\frac{5}{16}$ ", $\frac{3}{8}$ ", $\frac{1}{4}$ " hex head socket wrenches, a #2 Phillips screwdriver, and a flat-blade screwdriver.

IMPORTANT:

- Your refrigerator has a standard reversible refrigerator door with either a freezer door or freezer drawer, or French doors. Follow the instructions specific to the door style of your model.
- All graphics referenced in the following instructions are included later in this section after "Final Steps." The graphics shown for the standard door are for a right-hand swing refrigerator (hinges factory installed on the right).
- If you only want to remove and replace the doors see "Remove Doors and Hinges" and "Replace Doors and Hinges."
- Before you begin, turn the refrigerator control OFF, and remove food and adjustable door or utility bins from the doors.

Replace and Remove Handles

Standard Door

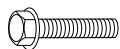
- To replace the handle, align the handle on the door or drawer as shown. Using a Phillips screwdriver, attach the handle with the handle screws.
- To replace the handle trim pieces, using your hand, apply firm pressure on the face of the trim and slide the trim piece toward the center of the handle.
- To remove handles, reverse directions.

French Doors

- To remove the handle, use a $\frac{3}{32}$ " hex key to loosen the two setscrews located on the side of each handle. Pull the handle straight out from the door or drawer. Make sure you keep the screws for reattaching the handles. See Handle graphics 1 and 2.
- To replace the handles, reverse the directions.

Remove Doors and Hinges

Standard Door



Hex Head Top Hinge Screw

Freezer drawer models

1. Unplug refrigerator or disconnect power.
2. Keep the refrigerator door closed until you are ready to lift it free from the cabinet.
NOTE: Provide additional support for the door while the hinges are being moved. Do not depend on the door gasket magnets to hold the door in place while you are working.
3. Remove the parts for the top hinge as shown in Top Hinge graphic. Lift the refrigerator door free from the cabinet.
4. Remove the parts for the bottom hinge as shown in Bottom Hinge graphic.

Freezer door models

1. Unplug refrigerator or disconnect power.
2. Keep the freezer door closed until you are ready to lift it free from the cabinet.
NOTE: Provide additional support for the door while the hinges are being moved. Do not depend on the door gasket magnets to hold the door in place while you are working.
3. Remove the parts for the top hinge as shown in Top Hinge graphic. Lift the refrigerator door free from the cabinet.
4. Remove the center hinge pin and remove the hinge screws as shown in the Center Hinge graphic. Lift the freezer door free from the cabinet.
5. Remove the base grille by grasping the grille firmly with both hands and pulling it toward you.
6. Remove the parts for the bottom hinge as shown in Bottom Hinge graphic.

French Doors

! WARNING



Electrical Shock Hazard

Disconnect power before removing doors.

Failure to do so can result in death or electrical shock.

1. Unplug refrigerator or disconnect power.
2. Keep the refrigerator doors closed until you are ready to lift them free from the cabinet.
NOTE: Provide additional support for the refrigerator door while the hinges are being removed. Do not depend on the door gasket magnets to hold the door in place while you are working.
3. Starting with the right-hand side door, remove the parts for the top hinge as shown in Top Hinge graphic. Lift the refrigerator door from the bottom hinge pin.
4. Remove the hinge pin cover from the bottom hinge pin and keep it for later use. See Bottom Hinge graphic.
5. Before removing the left-hand side door, disconnect the wiring plug located on top of the top hinge by wedging a flat-blade screwdriver or your fingernail between the two sections. See Wiring Plug graphic.
NOTE: The green, ground wire remains attached to the hinge.
6. Remove the parts for the left-hand side door top hinge as shown in the Top Hinge graphic. Lift the door from the bottom hinge pin.
NOTE: Remove the hinge pin cover from the bottom hinge pin and keep it for later use. See Bottom Hinge graphic.

Reverse Door - Standard Door (optional)

IMPORTANT: If you want to reverse your door so it opens from the opposite side, follow these steps. If you are not reversing the door, see "Replace Door(s) and Hinges."



Door Stop Screw



Door Handle Seal Screw Front



Flat-Head Handle Screw



Cabinet Hinge Hole Plug

Cabinet

1. Remove hinge screws from handle side and move them to opposite side. See Graphic 1.

Refrigerator door

1. Remove the refrigerator handle assembly as shown in Graphic 2. Keep all parts together.
2. Remove door handle seal screw front. Move to opposite side of refrigerator door as shown in Graphic 5.
3. Remove the door stop. Move it to the opposite side of the refrigerator door as shown in Graphic 3.
4. Attach refrigerator handle on opposite side of the refrigerator door with the two screws as shown in Graphic 2. Replace handle trim as shown.

5. Tighten all screws. Set aside the door until hinges and freezer compartment drawer are in place.

Freezer door

1. Remove the freezer handle assembly as shown in Graphic 4. Keep all parts together.
2. Remove door stop. Move to opposite side of freezer door as shown in Graphic 3.
3. Attach handle to opposite side of freezer door.
4. Tighten all screws. Set the door aside.
5. Remove the base grille by grasping the grille firmly with both hands and pulling it toward you.
NOTE: Place a shim under the bottom front edge of the refrigerator cabinet to take the weight off the roller brackets.
6. Remove the screws from both roller brackets. See Graphic 6.
7. Remove the hinge plate located behind the roller bracket and move it to the opposite side of the refrigerator. Move the hinge pin and shim to the outside hole on the hinge plate. See Graphic 6.

Replace Doors and Hinges

Standard Door

NOTE: Graphics may be reversed if door swing is reversed.

Freezer drawer models

1. Replace the parts for the bottom hinge as shown. Tighten screws.
NOTE: Provide additional support for the door while the hinges are being moved. Do not depend on the door gasket magnets to hold the door in place while you are working.
2. Assemble the parts for the top hinge as shown in Top Hinge graphic. Do not tighten screws completely.
3. Adjust the door so that the bottom of the refrigerator door is aligned with the top of the freezer drawer. Tighten all screws.

Freezer door models

1. Make sure the hinge plate is securely fastened behind the roller bracket and that the hinge pin is inserted into the outside hole. Fully tighten all roller bracket screws. See Graphic 6.
2. Remove the shim that you placed under the front edge of the refrigerator cabinet. Replace the freezer door.
NOTE: Provide additional support for the door while the hinges are being moved. Do not depend on the door gasket magnets to hold the door in place while you are working.
3. Assemble the parts for the center hinge as shown in the Center Hinge graphic, and tighten all the screws. Replace the refrigerator door.
4. Assemble the parts for the top hinge as shown in the Top Hinge graphic. Do not tighten the screws completely.
5. Adjust the doors so that the bottom of the refrigerator door is aligned with the top of the freezer door. Tighten all screws.

French Doors

1. Assemble the parts for the top hinges as shown in Top Hinge graphic. Do not tighten the screws completely.
2. Replace the parts for the bottom hinges as shown in Bottom Hinge graphic. Tighten screws. Replace the refrigerator doors.
NOTE: Provide additional support for the refrigerator doors while the hinges are being moved. Do not depend on the door gasket magnets to hold the doors in place while you are working.

3. Align each door so that the bottom of the refrigerator door aligns evenly with the top of the freezer drawer. Tighten all screws.
4. Reconnect the wiring plug on top of the left-hand side refrigerator door.
5. Replace the top hinge covers.

Remove and Replace Freezer Drawer

IMPORTANT:

- Two people may be required to remove and replace the freezer drawer.
- All graphics are included later in this section after “Final Steps.”

Remove Drawer Front

1. Open the freezer drawer to full extension.
2. Loosen the four screws attaching the drawer glides to the drawer front. See Drawer Front Removal graphic.
NOTE: Loosen screws three to four turns. Keep the screws in the drawer front.
3. Lift drawer front upward and off the screws. See Drawer Front Removal graphic.

Replace Drawer Front

1. Slide the drawer glides out of the freezer compartment. Insert the screws in the top of the drawer front into the slots in the drawer brackets. See Drawer Front Replacement graphic.
2. Pull the drawer brackets toward you to insert the two screws in the bottom of the drawer front into the brackets. See Drawer Front Replacement graphic.
3. Completely tighten the four screws.

Final Steps

1. Check all holes to make sure that hole plugs and screws are in place. Reinstall top hinge cover as shown in Top Hinge graphic.
2. Replace the base grille.

⚠ WARNING



Electrical Shock Hazard

Plug into a grounded 3 prong outlet.

Do not remove ground prong.

Do not use an adapter.

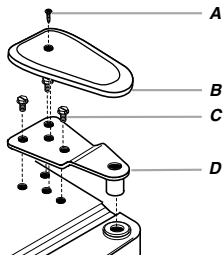
Do not use an extension cord.

Failure to follow these instructions can result in death, fire, or electrical shock.

3. Plug into a grounded 3 prong outlet.
4. Return all removable door parts to door and food to refrigerator.

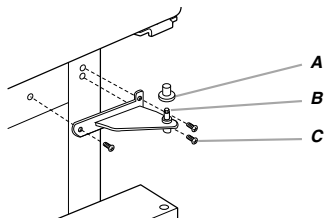
Door Removal & Replacement

Top Hinge



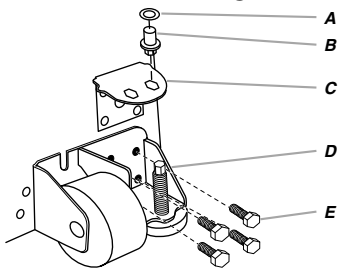
- A. Hinge Cover Screw
- B. Top Hinge Cover
- C. $\frac{5}{16}$ " Hex-Head Hinge Screws
- D. Top Hinge

Center Hinge



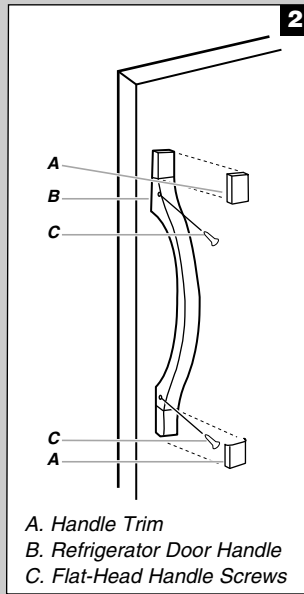
- A. Hinge Pin Cover
- B. Center Hinge
- C. Hinge Screws

Bottom Hinge

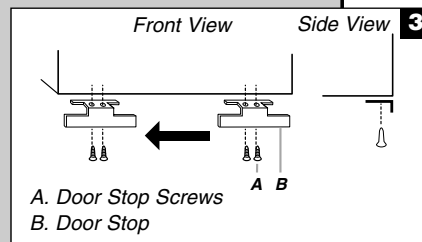


- A. Hinge Pin Shim
- B. Bottom Hinge
- C. Hinge Plate
- D. Roller Bracket
- E. $\frac{3}{8}$ " Hex-Head Hinge Screws

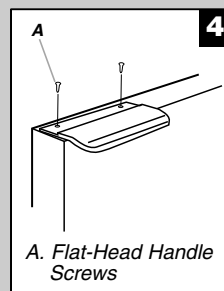
Door Swing Reversal (optional)



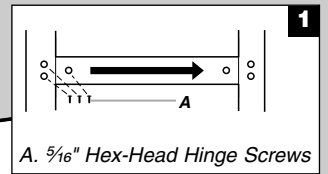
- A. Handle Trim
- B. Refrigerator Door Handle
- C. Flat-Head Handle Screws



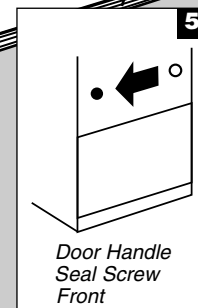
- A. Door Stop Screws
- B. Door Stop



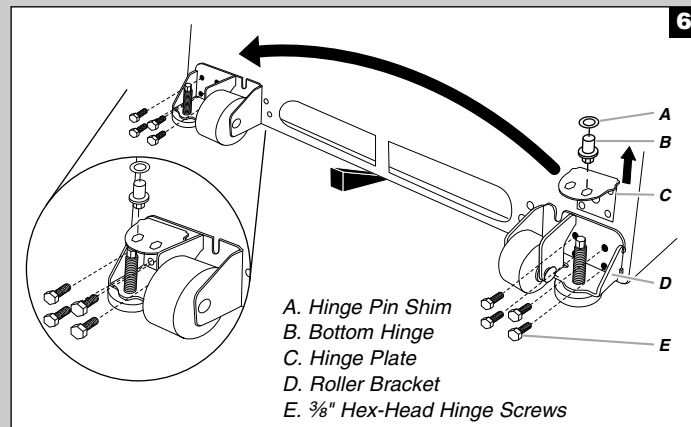
- A. Flat-Head Handle Screws



- A. $\frac{5}{16}$ " Hex-Head Hinge Screws

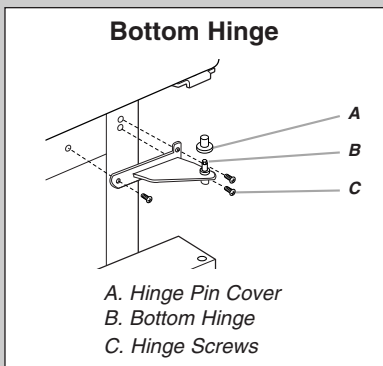
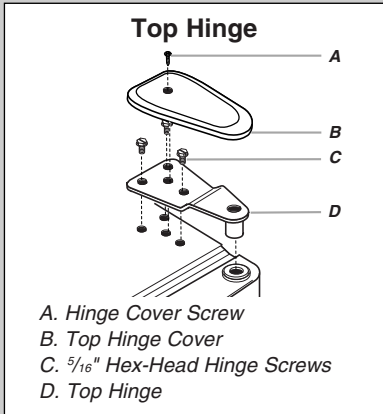


- A. Door Handle Seal Screw Front

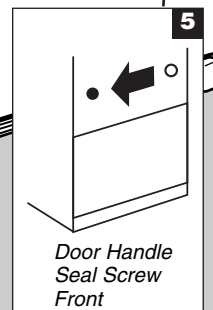
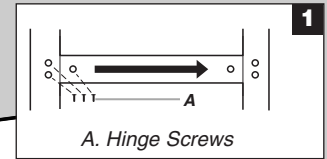
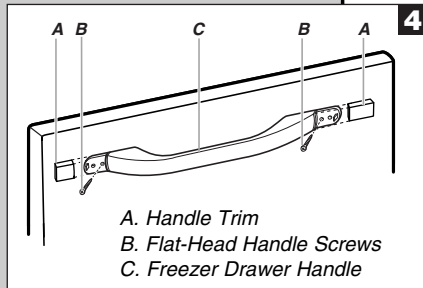
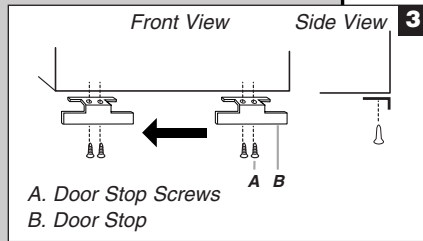
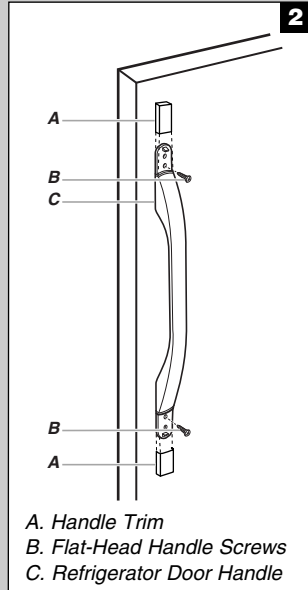


- A. Hinge Pin Shim
- B. Bottom Hinge
- C. Hinge Plate
- D. Roller Bracket
- E. $\frac{3}{8}$ " Hex-Head Hinge Screws

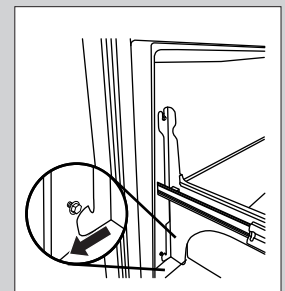
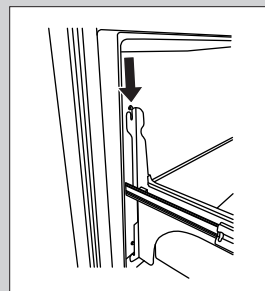
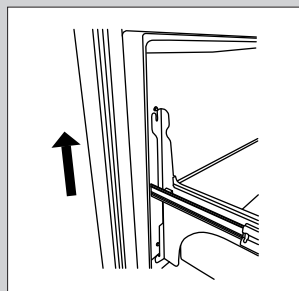
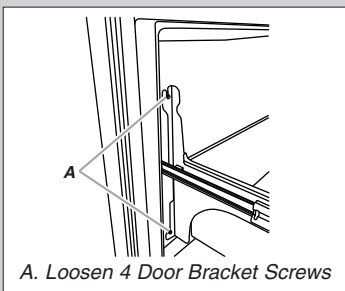
Door Removal & Replacement



Door Swing Reversal (optional)



Drawer Front Removal



Drawer Front Replacement

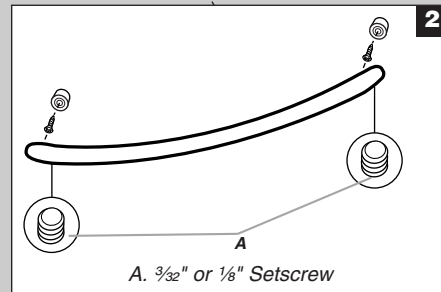
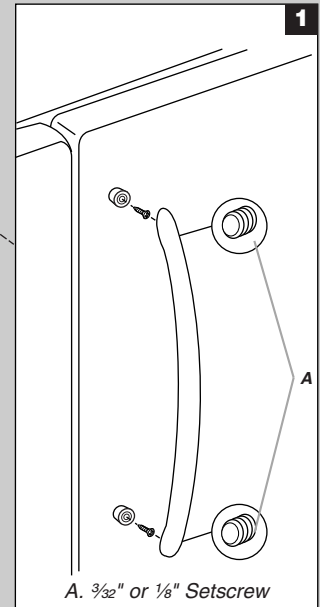
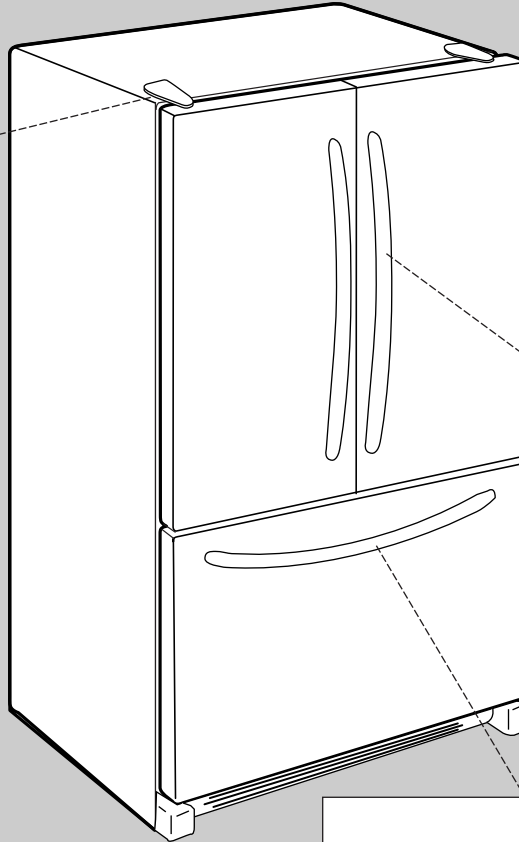
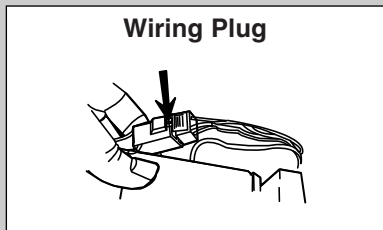
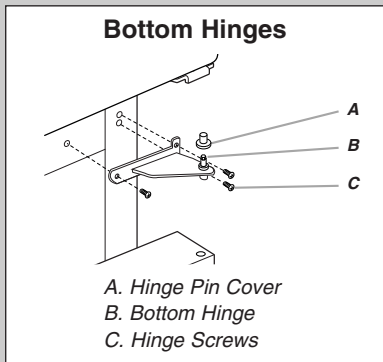
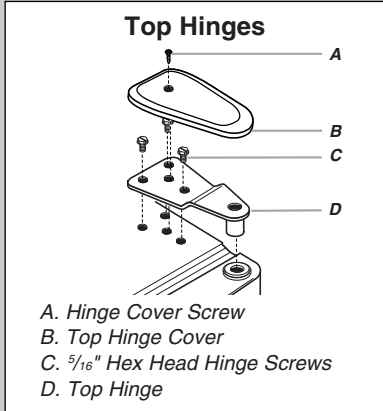


WARNING

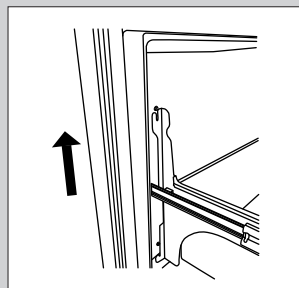
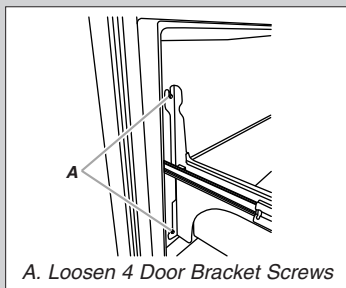
Electrical Shock Hazard

Disconnect power before removing doors.
Failure to do so can result in death or electrical shock.

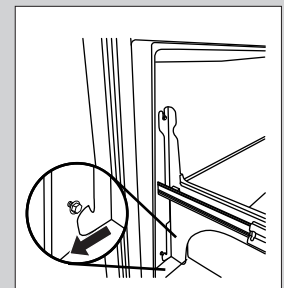
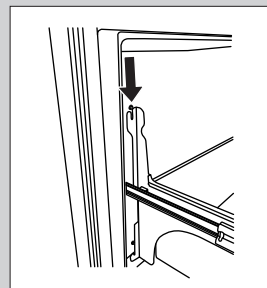
Door Removal and Replacement



Drawer Front Removal



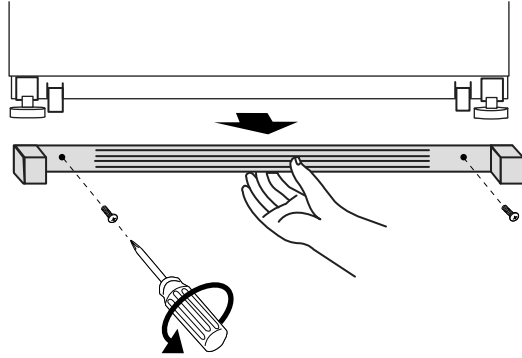
Drawer Front Replacement



Door Closing and Door Alignment

The base grille covers the leveling screws and roller assemblies located at the bottom of the refrigerator cabinet below the freezer door or drawer. Before making adjustments, remove the base grille and move the refrigerator to its final location.

1. Remove the two screws fastening the base grille to the cabinet, and set the screws aside. Grasp the grille and pull it toward you.

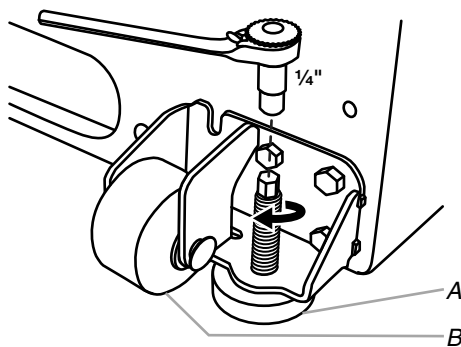


2. Move the refrigerator to its final location.

NOTE: To allow the refrigerator to roll easier, raise the leveling legs off the floor by turning the leveling screws counterclockwise. The front rollers will be touching the floor.

3. So the doors will close easier, use a 1/4" hex driver to turn both leveling screws clockwise. This will raise the front of the refrigerator tilting it slightly downward to the rear. Turn both leveling screws the same amount.

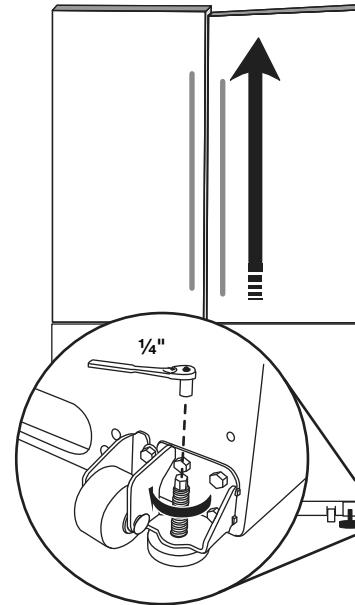
NOTE: Having someone push against the top of the refrigerator takes some weight off the leveling screws. This makes it easier to turn the screws.



A. Leveling screw
B. Front roller

4. Open and close the doors to make sure they close as easily as you like. If not, increase the tilt by turning both leveling screws clockwise. It may take several turns of the leveling screw to allow the doors to close easier.
5. Check for door alignment. If one door is lower than the other, adjust the leveling screw, on the lower side of the refrigerator. Using a 1/4" hex driver, turn the screw clockwise to raise that side of the refrigerator until the doors are aligned. It may take several turns of the leveling screw to raise the refrigerator.

NOTE: Having someone push against the top of the refrigerator takes some weight off the leveling screws. This makes it easier to turn the screws.



6. Make sure the refrigerator is steady. If the refrigerator seems unsteady or rolls forward when the door or drawer is opened, adjust the leveling screws. Using a 1/4" hex driver, turn the leveling screw on each side clockwise until the rollers are up and the leveling feet are firmly against the floor.
7. Replace the base grille by aligning the holes in the grille with the holes in the cabinet and fasten using the screws removed in Step 1.

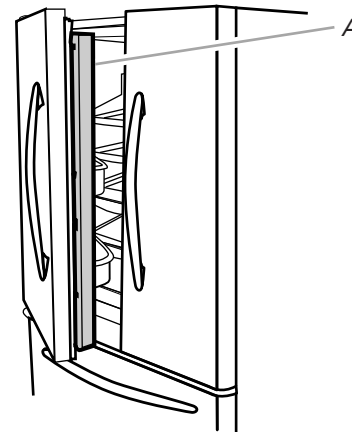
REFRIGERATOR USE

Opening and Closing Doors (French door models)

There are two refrigerator compartment doors. The doors can be opened and closed either separately or together.

There is a vertically-hinged seal on the left-hand refrigerator door.

- When the left-hand door is opened, the hinged seal automatically folds inward so that it is out of the way.
- When both doors are closed, the hinged seal automatically forms a seal between the two doors.



A. Hinged seal

Using the Controls

The control center is located at the top front of the refrigerator compartment.

Temperature Controls

For your convenience, your temperature controls are preset at the factory. When you first install your refrigerator, make sure the controls are still set to the recommended set points as shown.

Recommended Settings



IMPORTANT:

- The recommended settings should be correct for normal household refrigerator use. The controls are set correctly when milk or juice is as cold as you like and when ice cream is firm.
- When the power is on, the temperature display shows the set point temperature of the compartment.
- Wait 24 hours for your refrigerator to cool completely before adding food. If you add food before the refrigerator has cooled completely, your food may spoil.

NOTE: Adjusting the refrigerator and freezer temperature controls to a colder than recommended setting will not cool the compartments any faster.
- If the temperature is too warm or too cold in the refrigerator or freezer, first check the air vents to be sure they are not blocked before adjusting the controls.

To Turn Your Refrigerator Off/On:

- Press the freezer (+) touch pad repeatedly until "OFF" appears in the freezer display. Allow a few seconds for the refrigerator to shut off. Neither compartment will cool.
- Press either the refrigerator or freezer (-) touch pad to turn on the refrigerator.

Adjusting Controls

The REFRIGERATOR control adjusts the refrigerator compartment temperature. The FREEZER control adjusts the freezer compartment temperature.

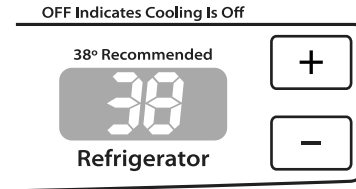
If you need to adjust the temperature in either the refrigerator or freezer compartment, use the settings listed in the chart as a guide.

To Adjust Set Point Temperatures:

The first touch of the (+) or (-) touch pad displays the current temperature set point.

- Press the (+) or (-) touch pads until the desired temperature set point is displayed.

NOTE: Except when first turning on the refrigerator, do not adjust either temperature control more than one setting at a time. Wait 24 hours between adjustments for the temperature to stabilize.



CONDITION/REASON:

ADJUSTMENT:

REFRIGERATOR too warm	REFRIGERATOR Control 1° lower
FREEZER too warm/too little ice	Adjust FREEZER Control 1° lower
REFRIGERATOR too cold	Adjust REFRIGERATOR Control 1° higher
FREEZER too cold	Adjust FREEZER Control 1° higher

Additional Control Center Features

Max Ice

The Max Ice feature assists with temporary periods of heavy ice use by increasing ice production.

- Press the Max Ice feature touch pad to set the freezer to the lowest temperature setting. Press the Max Ice feature touch pad again to return to the normal freezer set point.

NOTE: The Max Ice feature will automatically shut off in approximately 24 hours.



Humidity Control

The Humidity Control feature turns on a heater to help reduce moisture on the door hinge seal. Use in humid environments or when you notice moisture on the door hinge seal. The refrigerator uses more energy when Humidity Control is on.

- Press Humidity Control when the environment is warm and more humid, or if you notice moisture on the door hinge seal. The indicator light will be lit when humidity control is ON.
- Press Humidity Control to save energy when the environment is less humid.



Temp Alarm

The Temp Alarm feature provides temperature information in the event of a power outage.

Power outage: During a power outage, if the temperatures in the refrigerator and freezer compartments exceed normal operating temperatures, the highest temperature reached will be displayed.

- Press the Temp Alarm touch pad until the indicator light is lit, to turn on this feature. Press and hold Temp Alarm for 3 seconds until the indicator light goes off to turn off this feature.

Temperature alarm: An alarm will sound repeatedly if the freezer or refrigerator compartment temperatures exceed normal operating temperatures for an hour or more.

The temperature displays will alternately show the current temperatures and the highest temperatures the compartments reached.

- Press the Temp Alarm touch pad once to stop the audible alarm and alternating temperature displays. The Temp Alarm light will continue to flash until the refrigerator returns to the set temperature.



Door Alarm

The Door Alarm feature sounds a chime every few seconds when the refrigerator door has been left open for 5 continuous minutes. The chime will sound until the door is closed or Door Alarm is turned off.

- Press the Door Alarm touch pad to turn this feature on or off. The indicator light will be lit when the Door Alarm feature is on.

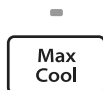


Max Cool

The Max Cool feature assists with periods of high refrigerator use, full grocery loads, or temporarily warm room temperatures.

- Press Max Cool to set the freezer and refrigerator to the lowest temperature settings. Press Max Cool again to return to the normal refrigerator set point.

NOTE: The Max Cool feature will automatically shut off in approximately 12 hours.



Filter Reset

The Filter Reset control allows you to restart the water filter status tracking feature each time you replace your water filter. See "Water Filtration System."

- Press and hold the Filter Reset touch pad for 3 seconds, until the Order or Replace light turns off.



User Preferences

The control center allows you to set user preferences, if desired.

Temperature Display (F_C)

This preference allows you to change the temperature display.

F - Temperature in degrees Fahrenheit

C - Temperature in degrees Celsius

Alarm (AL)

This preference allows you to turn off the sound of all alarms.

ON - You will hear the alarm sound.

OFF - You will not hear the alarm sound.

To Access the User Preferences Menu:

1. Press and hold the Door Alarm touch pad for 3 seconds. The preference name will appear in the Freezer display and the preference status (F or C) or (ON or OFF) will appear in the Refrigerator display.
2. Use the Freezer (+) or (-) touch pads to scroll through the preference names. When the desired preference name is displayed, press the Refrigerator (+) or (-) touch pads to change the preference status.
3. Set your preferences by pressing and holding the Door Alarm touch pad for 3 seconds, or by shutting the refrigerator compartment door.

Ice Maker

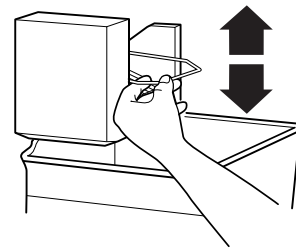
IMPORTANT: Flush the water system before turning on the ice maker. See "Water Dispenser."

Turning the Ice Maker On/Off

To turn the ice maker ON, simply lower the wire shutoff arm.

To manually turn the ice maker OFF, lift the wire shutoff arm to the OFF (arm up) position and listen for the click.

NOTE: Your ice maker has an automatic shutoff. As ice is made, the ice cubes will fill the ice storage bin and the ice cubes will raise the wire shutoff arm to the OFF (arm up) position. Do not force the wire shutoff arm up or down.



NOTE: Turn off the ice maker before removing the ice storage bin to serve ice or to clean the bin. This will keep the ice cubes from dropping out of the ice maker and into the freezer compartment. After replacing the ice storage bin, turn on the ice maker.

Ice Production Rate

- The ice maker should produce a complete batch of ice approximately every 3 hours.
- To increase ice production, lower the freezer and refrigerator temperature. See "Using the Controls." Wait 24 hours between adjustments.

Remember

- Allow 24 hours to produce the first batch of ice. Allow 3 days to completely fill the ice storage bin. Discard the first three batches of ice produced.
- The quality of your ice will be only as good as the quality of the water supplied to your ice maker. Avoid connecting the ice maker to a softened water supply. Water softener chemicals (such as salt) can damage parts of the ice maker and lead to poor quality ice. If a softened water supply cannot be avoided, make sure the water softener is operating properly and is well maintained.

- Do not store anything on top of the ice maker or in the ice storage bin.

Water Dispenser

IMPORTANT:

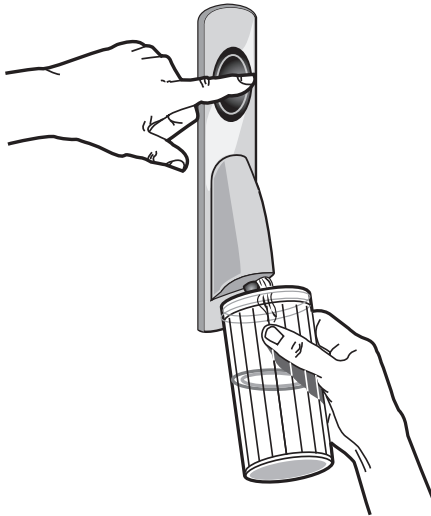
- After connecting the refrigerator to a water source or replacing the water filter, flush the water system. Use a sturdy container to depress and hold the water dispenser lever for 5 seconds, then release it for 5 seconds. Repeat until water begins to flow. Once water begins to flow, continue depressing and releasing the dispenser lever (5 seconds on, 5 seconds off) until a total of 4 gal. (15 L) has been dispensed. This will flush air from the filter and water dispensing system, and prepare the water filter for use. Additional flushing may be required in some households. As air is cleared from the system, water may spurt out of the dispenser.

NOTE: After 5 minutes of continuous dispensing, the dispenser will stop dispensing water to avoid flooding. To continue dispensing, press the dispenser button again.

- Allow 24 hours for the refrigerator to cool down and chill water. Dispense enough water every week to maintain a fresh supply.

Dispensing Water

1. Hold a container under the dispenser while pressing the button.
2. Release the button to stop dispensing.



Water Filtration System

The water filter is located in the upper right-hand corner of the refrigerator compartment.

Do not use with water that is microbiologically unsafe or of unknown quality without adequate disinfection before or after the system. Systems certified for cyst reduction may be used on disinfected waters that may contain filterable cysts.

IMPORTANT: The disposable water filter should be replaced at least every 6 months. If the water flow to the water dispenser or ice maker decreases noticeably before 6 months have passed, replace the water filter more often.

Replacing the Water Filter

To purchase replacement water filters, model UKF8001AXX-750 or model UKF8001AXX-200, contact your dealer or call **1-800-253-1301** U.S.A. or **1-800-807-6777** Canada.

IMPORTANT: Air trapped in the water system may cause water and filter to eject. Always dispense water for at least 2 minutes before removing the filter or blue bypass cap.

1. Turn filter counterclockwise to remove.
2. Remove sealing label from replacement filter and insert the filter end into the filter head.
3. Turn the filter clockwise until it stops. Snap the filter cover closed.
4. Flush the water system. See “Water and Ice Dispenser(s).”

NOTE: The dispenser feature may be used without a water filter installed. Your water will not be filtered. If this option is chosen, replace the filter with the blue bypass cap.

REFRIGERATOR CARE

Cleaning

! WARNING



Explosion Hazard

Use nonflammable cleaner.

Failure to do so can result in death, explosion, or fire.

Both the refrigerator and freezer sections defrost automatically. However, clean both sections about once a month to avoid buildup of odors. Wipe up spills immediately.

IMPORTANT:

- Because air circulates between both sections, any odors formed in one section will transfer to the other. You must thoroughly clean both sections to eliminate odors. To avoid odor transfer and drying out of food, wrap or cover foods tightly.
- For stainless steel models, stainless steel is corrosion-resistant and not corrosion-proof. To help avoid corrosion of your stainless steel, keep your surfaces clean by using the following cleaning instructions.

To Clean Your Refrigerator:

NOTE: Do not use abrasive or harsh cleaners such as window sprays, scouring cleansers, flammable fluids, muriatic acid, cleaning waxes, concentrated detergents, bleaches or cleansers containing petroleum products on exterior surfaces (doors and cabinet), plastic parts, interior and door liners or gaskets. Do not use paper towels, scouring pads, or other harsh cleaning tools.

1. Unplug refrigerator or disconnect power.
2. Hand wash, rinse, and dry removable parts and interior surfaces thoroughly. Use a clean sponge or soft cloth and a mild detergent in warm water.

3. Clean the exterior surfaces.

Painted metal: Wash painted metal exteriors with a clean, soft cloth or sponge and a mild detergent in warm water. Rinse surfaces with clean, warm water and dry immediately to avoid water spots.

Stainless steel: Wash stainless steel surfaces with a clean, soft cloth or sponge and a mild detergent in warm water. Rinse surfaces with clean, warm water and dry immediately to avoid water spots.

NOTE: When cleaning stainless steel, always wipe in the direction of the grain to avoid cross-grain scratching.

4. There is no need for routine condenser cleaning in normal home operating environments. If the environment is particularly greasy or dusty, or there is significant pet traffic in the home, the condenser should be cleaned every 2 to 3 months to ensure maximum efficiency.

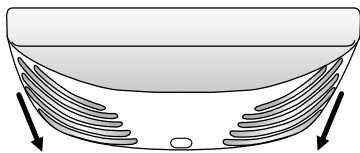
If you need to clean the condenser:

- Remove the base grille.
 - Use a vacuum cleaner with a soft brush to clean the grille, the open areas behind the grille and the front surface area of the condenser.
 - Replace the base grille when finished.
5. Plug in refrigerator or reconnect power.

Changing the Light Bulb

IMPORTANT: The light bulbs in both the refrigerator and freezer compartments of your new refrigerator use LED technology. If the lights do not illuminate when the refrigerator and/or freezer door is opened, call for assistance or service. See “Warranty” for phone numbers.

1. Unplug the refrigerator or disconnect power.
2. Remove the light shield (on some models).
 - Top of the refrigerator compartment - Slide the light shield toward the back of the compartment to release it from the light assembly.



3. Replace the burned-out LED bulb(s) with a bulb of the same size, shape and wattage.
 - To replace the burned-out LED bulb with an LED bulb, order Part Number W10565137 (3.6 watts).

NOTE: Some LED replacement bulbs are not recommended for wet/damp environments. The refrigerator and freezer compartments are considered to be wet/damp environments. If using a brand of LED bulb other than the recommended LED bulb, before installation, read and follow all instructions on the LED packaging.
 - If an incandescent bulb is used to replace an LED bulb, use only incandescent bulbs for household appliances with a maximum of 40 watts.
4. Replace the light shield.
5. Plug in refrigerator or reconnect power.

Vacation and Moving Care

Vacations

If You Choose to Leave the Refrigerator On While You're Away:

1. Use up any perishables and freeze other items.
2. If your refrigerator has an automatic ice maker, and is connected to the household water supply, turn off the water supply to the refrigerator. Property damage can occur if the water supply is not turned off.
3. If you have an automatic ice maker, turn off the ice maker.

NOTE: Depending on your model, raise the wire shutoff arm to OFF (arm up) position, or press the switch to OFF.
4. Empty the ice bin.

Models with Vacation Mode Feature

- Turn on Vacation mode. See “Using the Controls.”

NOTE: Activating Vacation mode does not turn off the ice maker.

If You Choose to Turn Off the Refrigerator Before You Leave:

1. Remove all food from the refrigerator.
2. If your refrigerator has an automatic ice maker:
 - Turn off the water supply to the ice maker at least one day ahead of time.
 - When the last load of ice drops, raise the wire shutoff arm to the OFF (up) position or press the switch to OFF, depending on your model.
3. Empty the ice bin.
4. Turn off the Temperature control(s). See “Using the Control(s).”
5. Clean refrigerator, wipe it, and dry well.
6. Tape rubber or wood blocks to the tops of both doors to prop them open far enough for air to get in. This stops odor and mold from building up.

Moving

When you are moving your refrigerator to a new home, follow these steps to prepare it for the move.

1. If your refrigerator has an automatic ice maker:
 - Turn off the water supply to the ice maker at least one day ahead of time.
 - Disconnect the water line from the back of the refrigerator.
 - When the last load of ice drops, raise the wire shutoff arm to the OFF (up) position or press the switch to OFF, depending on your model.
2. Remove all food from the refrigerator and pack all frozen food in dry ice.
3. Empty the ice bin.
4. Turn off the Temperature control(s). See “Using the Control(s).”
5. Unplug refrigerator.
6. Clean, wipe, and dry thoroughly.

7. Take out all removable parts, wrap them well, and tape them together so they don't shift and rattle during the move.
8. Depending on the model, raise the front of the refrigerator so it rolls more easily OR raise the leveling screws so they don't scrape the floor. See "Adjust the Door(s)" or "Door Closing and Door Alignment."

9. Tape the doors closed and tape the power cord to the back of the refrigerator.

When you get to your new home, put everything back and refer to the "Installation Instructions" section for preparation instructions. Also, if your refrigerator has an automatic ice maker, remember to reconnect the water supply to the refrigerator.

TROUBLESHOOTING

First try the solutions suggested here. If you need further assistance or more recommendations that may help you avoid a service call, refer to the warranty page in this manual and scan the code with your mobile device, or visit www.whirlpool.com/product_help. In Canada, visit www.whirlpool.ca.

Contact us by mail with any questions or concerns at the address below:

In the U.S.A.:

Whirlpool Brand Home Appliances
Customer eXperience Center
553 Benson Road
Benton Harbor, MI 49022-2692

In Canada:


Whirlpool Brand Home Appliances
Customer eXperience Centre
200 – 6750 Century Ave.
Mississauga, Ontario L5N 0B7

Please include a daytime phone number in your correspondence.

Refrigerator Operation

The refrigerator will not operate

⚠ WARNING



Electrical Shock Hazard

Plug into a grounded 3 prong outlet.

Do not remove ground prong.

Do not use an adapter.

Do not use an extension cord.

Failure to follow these instructions can result in death, fire, or electrical shock.

- **Power cord unplugged?** Plug into a grounded 3 prong outlet.
 - **Is outlet working?** Plug in a lamp to see if the outlet is working.
 - **Household fuse blown or circuit breaker tripped?** Replace the fuse or reset the circuit breaker. If the problem continues, call an electrician.
 - **Are controls on?** Make sure the refrigerator controls are on. See "Using the Control(s)."
 - **New installation?** Allow 24 hours following installation for the refrigerator to cool completely.
- NOTE:** Adjusting the temperature controls to coldest setting will not cool either compartment more quickly.

The motor seems to run too much

Your new refrigerator may run longer than your old one due to its high-efficiency compressor and fans. The unit may run even longer if the room is warm, a large food load is added, doors are opened often, or if the doors have been left open.

The refrigerator seems noisy

Refrigerator noise has been reduced over the years. Due to this reduction, you may hear intermittent noises from your new refrigerator that you did not notice from your old model. Below are listed some normal sounds with explanations.

- **Buzzing** - heard when the water valve opens to fill the ice maker
- **Pulsating** - fans/compressor adjusting to optimize performance
- **Hissing/Rattling** - flow of refrigerant, movement of water lines, or from items placed on top of the refrigerator
- **Sizzling/Gurgling** - water dripping on the heater during defrost cycle
- **Popping** - contraction/expansion of inside walls, especially during initial cool-down
- **Water running** - may be heard when ice melts during the defrost cycle and water runs into the drain pan
- **Creaking/Cracking** - occurs as ice is being ejected from the ice maker mold.

The doors will not close completely

- **Door blocked open?** Move food packages away from door.
- **Bin or shelf in the way?** Push bin or shelf back in the correct position.

The doors are difficult to open

! WARNING



Explosion Hazard

Use nonflammable cleaner.

Failure to do so can result in death, explosion, or fire.

- **Gaskets dirty or sticky?** Clean gaskets and contact surfaces with mild soap and warm water. Rinse and dry with soft cloth.

Temperature and Moisture

Temperature is too warm

- **New installation?** Allow 24 hours following installation for the refrigerator to cool completely.
- **Door(s) opened often or left open?** Allows warm air to enter refrigerator. Minimize door openings and keep doors fully closed.
- **Large load of food added?** Allow several hours for refrigerator to return to normal temperature.
- **Controls set correctly for the surrounding conditions?** Adjust the controls a setting colder. Check temperature in 24 hours. See “Using the Control(s).”

There is interior moisture buildup

NOTE: Some moisture buildup is normal.

- **Humid room?** Contributes to moisture buildup.
- **Door(s) opened often or left open?** Allows humid air to enter refrigerator. Minimize door openings and keep doors fully closed.

Ice and Water

The ice maker is not producing ice or not enough ice

- **Refrigerator connected to a water supply and the supply shutoff valve turned on?** Connect refrigerator to water supply and turn water shutoff valve fully open.
- **Kink in the water source line?** A kink in the line can reduce water flow. Straighten the water source line.
- **Ice maker turned on?** Make sure wire shutoff arm or switch (depending on model) is in the ON position.
- **New installation?** Wait 24 hours after ice maker installation for ice production to begin. Wait 72 hours for full ice production.
- **Freezer door closed completely?** Firmly close the freezer compartment door. If the freezer compartment door will not close all the way, see “The doors will not close completely,” earlier in this section.
- **Large amount of ice recently removed?** Allow 24 hours for ice maker to produce more ice.
- **Ice cube jammed in the ice maker ejector arm?** Remove ice from the ejector arm with a plastic utensil.

- **Water filter installed on the refrigerator?** Remove filter and operate ice maker. If ice volume improves, then the filter may be clogged or incorrectly installed. Replace filter or reinstall it correctly.
- **Reverse osmosis water filtration system connected to your cold water supply?** This can decrease water pressure. See “Water Supply Requirements.”

The ice cubes are hollow or small

NOTE: This is an indication of low water pressure.

- **Water shutoff valve not fully open?** Turn the water shutoff valve fully open.
- **Kink in the water source line?** A kink in the line can reduce water flow. Straighten the water source line.
- **Water filter installed on the refrigerator?** Remove filter and operate ice maker. If ice quality improves, then the filter may be clogged or incorrectly installed. Replace filter or reinstall it correctly.
- **Reverse osmosis water filtration system connected to your cold water supply?** This can decrease water pressure. See “Water Supply Requirements.”
- **Questions remain regarding water pressure?** Call a licensed, qualified plumber.

Off-taste, odor or gray color in the ice

- **New plumbing connections?** New plumbing connections can cause discolored or off-flavored ice.
- **Ice stored too long?** Discard ice. Wash ice bin. Allow 24 hours for ice maker to make new ice.
- **Odor transfer from food?** Use airtight, moisture proof packaging to store food.
- **Are there minerals (such as sulfur) in the water?** A water filter may need to be installed to remove the minerals.
- **Water filter installed on the refrigerator?** Gray or dark discoloration in ice indicates that the water filtration system needs additional flushing. Flush the water system before using a new water filter. Replace water filter when indicated. See “Water Filtration System.”

The water dispenser will not operate properly

- **Refrigerator connected to a water supply and the supply shutoff valve turned on?** Connect refrigerator to water supply and turn water shutoff valve fully open.
- **Kink in the water source line?** Straighten the water source line.
- **New installation?** Flush and fill the water system. See “Water Dispenser.”
- **Is the water pressure at least 35 psi (241 kPa)?** The water pressure to the home determines the flow from the dispenser. See “Water Supply Requirements.”
- **Water filter installed on the refrigerator?** Remove filter and operate dispenser. If water flow increases, the filter may be clogged or incorrectly installed. Replace filter or reinstall it correctly.
- **Refrigerator door closed completely?** Close the door firmly. If it does not close completely, see “The doors will not close completely,” earlier in this section.
- **Recently removed the doors?** Make sure the water dispenser wire/tube assembly has been properly reconnected. See “Refrigerator Door(s) and Drawer.”

- **Reverse osmosis water filtration system connected to your cold water supply?** This can decrease water pressure. See “Water Supply Requirements.”

Water is leaking from the dispenser system

NOTE: One or two drops of water after dispensing is normal.

- **Glass not being held under the dispenser long enough?** Hold the glass under the dispenser 2 to 3 seconds after releasing the dispenser lever.
- **New installation?** Flush the water system. See “Water Dispenser.”
- **Recently changed water filter?** Flush the water system. See “Water Dispenser.”
- **Water on the floor near the base grille?** Make sure the water dispenser tube connections are fully tightened. See “Refrigerator Door(s) and Drawer.”

Water from the dispenser is warm

NOTE: Water from the dispenser is only chilled to 50°F (10°C).

- **New installation?** Allow 24 hours after installation for the water supply to cool completely.
- **Recently dispensed large amount of water?** Allow 24 hours for water supply to cool completely.
- **Water not been recently dispensed?** The first glass of water may not be cool. Discard the first glass of water.
- **Refrigerator connected to a cold water pipe?** Make sure the refrigerator is connected to a cold water pipe. See “Water Supply Requirements.”

PERFORMANCE DATA SHEETS

Interior Water Filtration System

Model UKF8001AXX-750 Capacity 750 Gallons (2839 Liters)



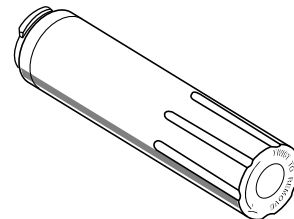
System tested and certified by NSF International against NSF/ANSI Standard 42, 53, 401 and CSA B483.1 for the reduction of contaminants specified on the Performance Data Sheet.

This system has been tested according to NSF/ANSI Standards 42, 53, 401 and CSA B483.1 for the reduction of the substances listed below. The concentration of the indicated substances in water entering the system was reduced to a concentration less than or equal to the permissible limit for water leaving the system, as specified in NSF/ANSI Standards 42, 53, 401 and CSA B483.1.

Substance Reduction Aesthetic Effects	NSF Reduction Requirements	Average Influent	Influent Challenge Concentration	Maximum Effluent	Average Effluent	Minimum% Reduction	Average% Reduction
Chlorine Taste/Odor Particulate Class I*	50% reduction 85% reduction	2.00 mg/L 14,000,000 #/mL	2.0 mg/L ± 10% At least 10,000 particles/mL	0.06 mg/L 370,000 #/mL**	0.050625 mg/L 196,666 #/mL	97.00% 97.40%	97.52% 99.00%
Contaminant Reduction	NSF Reduction Requirements	Average Influent	Influent Challenge Concentration	Maximum Effluent	Average Effluent	Minimum% Reduction	Average% Reduction
Lead: @ pH 6.5 Lead: @ pH 8.5	0.010 mg/L 0.010 mg/L	0.150 mg/L [†] 0.150 mg/L [†]	0.15 mg/L ± 10% 0.15 mg/L ± 10%	< 0.001 mg/L < 0.001 mg/L	< 0.001 mg/L < 0.001 mg/L	>99.30% >99.30%	>99.30% >99.30%
Mercury: @ pH 6.5 Mercury: @ pH 8.5	0.002 mg/L 0.002 mg/L	0.006 mg/L 0.0059 mg/L	0.006 mg/L ± 10% 0.006 mg/L ± 10%	0.0005 mg/L 0.0018 mg/L	0.0003 mg/L 0.00073 mg/L	91.70% 69.20%	95.00% 88.10%
Benzene	0.005 mg/L	0.0133 mg/L	0.015 mg/L ± 10%	0.0005 mg/L	0.0005 mg/L	96.10%	96.30%
p-Dichlorobenzene	0.075 mg/L	0.210 mg/L	0.225 mg/L ± 10%	< 0.0005 mg/L	< 0.0005 mg/L	>99.80%	>99.80%
Carbofuran	0.040 mg/L	0.0753 mg/L	0.08 mg/L ± 10%	0.027 mg/L	0.008 mg/L	64.60%	73.45%
Toxaphene	0.003 mg/L	0.015 mg/L	0.015 ± 10%	< 0.001 mg/L	< 0.001 mg/L	>93.3%	>93.3%
Atrazine	0.003 mg/L	0.0102 mg/L	0.009 mg/L ± 10%	0.0027 mg/L	0.00105 mg/L	76.30%	89.40%
Asbestos	>99%	126.5 MF/L	10 ⁷ to 10 ⁸ fibers/L ^{††}	< 0.17 MF/L	< 0.17 MF/L	>99.99%	>99.99%
Live Cysts [‡] Turbidity	>99.95% 0.5 NTU	122,500 #/L 10.5 NTU	50,000/L min. 11 ± 1 NTU	< 1 #/L [‡] 0.30 NTU	< 1 #/L [‡] 0.125 NTU	>99.99% 97.30%	>99.99% 98.80%
Lindane	0.0002 mg/L	0.0019 mg/L	0.002 ± 10%	< 0.00016 mg/L	0.000035 mg/L	91.80%	97.90%
Tetrachloroethylene	0.005 mg/L	0.015 mg/L	0.015 mg/L ± 10%	< 0.0005 mg/L	< 0.0005 mg/L	>96.6%	>96.6%

Test Parameters: pH = 7.5 ± 0.5 unless otherwise noted. Flow = 0.78 gpm (2.9 Lpm). Pressure = 60 psig (413.7 kPa). Temp. = 68°F ± 5°F (20°C ± 3°C).

- It is essential that operational, maintenance, and filter replacement requirements be carried out for the product to perform as advertised.
- The disposable water filter should be replaced at least every 6 months.
- The filter monitor system measures the amount of water that passes through the filter and alerts you to replace the filter. When 90% of the filter's rated life is used, the yellow (Order) light comes on. When 100% of the filter's rated life is used, the red (Replace) light comes on, and it is recommended that you replace the filter. For models without filter status lights, replace the filter every 6 months. Use replacement filter model UKF8001. 2015 suggested retail price of \$44.99 U.S.A./\$49.95 Canada. Prices are subject to change without notice.
- The product is for cold water use only.
- Do not use with water that is microbiologically unsafe or of unknown quality without adequate disinfection before or after the system. Systems certified for cyst reduction may be used on disinfected waters that may contain filterable cysts.
- Refer to the "Water Filtration System" section for the Manufacturer's name and telephone number.
- Refer to the "Warranty" section for the Manufacturer's limited warranty.



Application Guidelines/Water Supply Parameters

Water Supply	Potable City or Well
Water Pressure	35 - 120 psi (241 - 827 kPa)
Water Temperature	33° - 100°F (1° - 38°C)
Service Flow Rate	0.78 gpm (2.9 L/min.) @ 60 psi

*Class I particle size: >0.5 to <1 µm

**Test requirement is at least 100,000 particles/mL of AC Fine Test Dust.

[†]These contaminants are not necessarily in your water supply. Performance may vary based on local water conditions.

^{††}Fibers greater than 10 µm in length

[‡]Based on the use of *Cryptosporidium parvum* oocysts

® NSF is a registered trademark of NSF International.

Water Filtration System

Model UKF8001AXX-200/UKF8001 Capacity 200 Gallons (757 Liters)



System tested and certified by NSF International against NSF/ANSI Standard 42, 53, 401 and CSA B483.1 for the reduction of contaminants specified on the Performance Data Sheet.

This system has been tested according to NSF/ANSI Standards 42, 53, 401 and CSA B483.1 for the reduction of the substances listed below. The concentration of the indicated substances in water entering the system was reduced to a concentration less than or equal to the permissible limit for water leaving the system, as specified in NSF/ANSI Standards 42, 53, 401 and CSA B483.1.

Substance Reduction	Influent Challenge Concentration	Maximum Permissible Product Water Concentration	Average% Reduction
Aesthetic Effects			
Chlorine Taste/Odor	2.0 mg/L ± 10%	50% reduction	97.6%
Particulate Class I*	At least 10,000 particles/mL	85% reduction	98.8%
Contaminant Reduction			
Substance Reduction	Influent Challenge Concentration	Maximum Permissible Product Water Concentration	Average% Reduction
Lead***: @ pH 6.5 / @ pH 8.5	0.150 mg/L ± 10%	0.010 mg/L	99.3% / 99.3%
Mercury: @ pH 6.5 / @ pH 8.5	0.006 mg/L ± 10%	0.002 mg/L	95.1% / 95.0%
Asbestos	10 ⁷ to 10 ⁸ fibers/L ^{††}	>99%	>99%
Cysts†	50,000/L min.	>99.95%	99.99%
Turbidity	11 NTU ± 10%	0.5 NTU	98.1%
Atrazine	0.009 mg/L ± 10%	0.003 mg/L	94.4%
Benzene	0.015 mg/L ± 10%	0.005 mg/L	96.6%
Carbofuran	0.080 mg/L ± 10%	0.040 mg/L	86.8%
Lindane	0.002 mg/L ± 10%	0.0002 mg/L	98.8%
P-Dichlorobenzene	0.225 mg/L ± 10%	0.075 mg/L	99.7%
Tetrachloroethylene	0.015 mg/L ± 10%	0.005 mg/L	96.0%
Toxaphene	0.015 mg/L ± 10%	0.003 mg/L	93.8%
Atenolol	200 ± 20%	30 ng/L	>95.9%
Endrin	0.006 mg/L ± 10%	0.002 mg/L	96.7%
Ethylbenzene	2.1 mg/L ± 10%	0.7 mg/L	99.9%
o-Dichlorobenzene	1.8 mg/L ± 10%	0.6 mg/L	99.9%
2,4 - D	0.210 mg/L ± 10%	0.07 mg/L	97%
Carbamazepine	1400 ± 20%	200 ng/L	>98.6%
DEET	1400 ± 20%	200 ng/L	>98.5%
Linuron	140 ± 20%	20 ng/L	>96.8%
Meprobamate	400 ± 20%	60 ng/L	94.6%
Metolachlor	1400 ± 20%	200 ng/L	98.3%
Trimethoprim	140 ± 20%	20 ng/L	>96.4%
Bisphenol A	2000 ± 20%	300 ng/L	99.4%
Estrone	140 ± 20%	20 ng/L	>96.7%
Nonylphenol	1400 ± 20%	200 ng/L	>98.9%
Ibuprofen	400 ± 20%	60 ng/L	92.9%
Naproxen	140 ± 20%	20 ng/L	>96.3%
Phenytoin	200 ± 20%	30 ng/L	>94.8%

Test Parameters: pH = 7.5 ± 0.5 unless otherwise noted. Flow = 0.78 gpm (2.95 Lpm). Pressure = 60 psig (413.7 kPa). Temp. = 68°F to 71.6°F (20°C to 22°C). Rated service capacity = 200 gallons (757 liters).

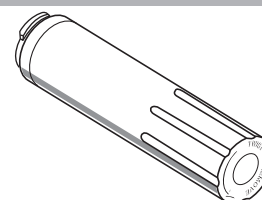
The compounds certified under NSF 401 have been deemed as "emerging compounds/incidental contaminants." Emerging compounds/incidental contaminants are those compounds that have been detected in drinking water supplies at trace levels. While occurring at only trace levels, these compounds can affect the public acceptance/perception of drinking water quality.

- It is important that operational, maintenance, and filter replacement requirements be carried out for the product to perform as advertised. Property damage can occur if all instructions are not followed.
- The disposable cartridge must be changed at least every 6 months.
- Use replacement filter UKF8001, Part #EDR4RXD1/EDR4RXD1B. 2015 suggested retail price of \$49.99 U.S.A./\$49.95 Canada. Prices are subject to change without notice.
- The filter monitor system measures the amount of water that passes through the filter and alerts you when it is time to replace the filter. To learn how to check the water filter status, see "Using the Controls" or "Water Filtration System" in the User Instructions or User Guide.
- After changing the water filter, flush the water system. See "Water and Ice Dispensers" or "Water Dispenser" in the User Instructions or User Guide.
- These contaminants are not necessarily in your water supply. While testing was performed under standard laboratory conditions, actual performance may vary.
- The product is for cold water use only.
- The water system must be installed in compliance with state and local laws and regulations.

- Do not use with water that is microbiologically unsafe or of unknown quality without adequate disinfection before or after the system. Systems certified for cyst reduction may be used on disinfected waters that may contain filterable cysts. EPA Est. No. 10350-MN-005.
- Refer to the "Warranty" section (in the User Instructions or User Guide) for the Manufacturer's limited warranty, name and telephone number.

Application Guidelines/Water Supply Parameters

Water Supply	Potable City or Well
Water Pressure	35 - 120 psi (241 - 827 kPa)
Water Temperature	33° - 100°F (1° - 38°C)
Service Flow Rate	0.78 gpm (2.95 L/min.) @ 60 psi



*Class I particle size: >0.5 to <1 um

***Compliant for Lead reduction requirements under NSF/ANSI Standard 53 as tested by Pace Analytical Services, Inc.

†Based on the use of *Cryptosporidium parvum* oocysts

††Fibers greater than 10 um in length

© NSF is a registered trademark of NSF International.

WHIRLPOOL® REFRIGERATION LIMITED WARRANTY

ATTACH YOUR RECEIPT HERE. PROOF OF PURCHASE IS REQUIRED TO OBTAIN WARRANTY SERVICE.

Please have the following information available when you call the Customer eXperience Center:

- Name, address and telephone number
- Model number and serial number
- A clear, detailed description of the problem
- Proof of purchase including dealer or retailer name and address

IF YOU NEED SERVICE:

1. Before contacting us to arrange service, please determine whether your product requires repair. Some questions can be addressed without service. Please take a few minutes to review the Troubleshooting or Problem Solver section of the Use and Care Guide, scan the QR code on the right to access additional resources, or visit www.whirlpool.com/product_help.
2. All warranty service is provided exclusively by our authorized Whirlpool Service Providers. In the U.S. and Canada, direct all requests for warranty service to:

Whirlpool Customer eXperience Center

In the U.S.A., call 1-800-253-1301. In Canada, call 1-800-807-6777.

If outside the 50 United States or Canada, contact your authorized Whirlpool dealer to determine whether another warranty applies.



www.whirlpool.com/product_help

FIVE YEAR LIMITED WARRANTY

WHAT IS COVERED

LIMITED WARRANTY

For one year from the date of purchase, when this major appliance is installed, operated and maintained according to instructions attached to or furnished with the product, Whirlpool Corporation or Whirlpool Canada LP (hereafter "Whirlpool") will pay for Factory Specified Replacement Parts and repair labor to correct defects in materials or workmanship that existed when this major appliance was purchased, or at its sole discretion replace the product. In the event of product replacement, your appliance will be warranted for the remaining term of the original unit's warranty period.

SECOND THROUGH FIFTH YEAR LIMITED WARRANTY ON CAVITY LINER AND SEALED REFRIGERATION SYSTEM

In the second through fifth years from the date of purchase, when this major appliance is installed, operated and maintained according to the instructions attached to or furnished with the product, Whirlpool brand will pay for factory specified replacement parts and repair labor for the following components to correct non-cosmetic defects in materials and workmanship in this part that prevent function of the refrigerator and that existed when this major appliance was purchased:

- Refrigerator/freezer cavity liner if the part cracks due to defective materials or workmanship.
- Sealed Refrigeration system (includes compressor, evaporator, condenser, dryer and connecting tubing).

YOUR SOLE AND EXCLUSIVE REMEDY UNDER THIS LIMITED WARRANTY SHALL BE PRODUCT REPAIR AS PROVIDED HEREIN. Service must be provided by a Whirlpool designated service company. This limited warranty is valid only in the United States or Canada and applies only when the major appliance is used in the country in which it was purchased. This limited warranty is effective from the date of original consumer purchase. Proof of original purchase date is required to obtain service under this limited warranty.

WHAT IS NOT COVERED

1. Commercial, non-residential, multiple-family use, or use inconsistent with published user, operator or installation instructions.
2. In-home instruction on how to use your product.
3. Service to correct improper product maintenance or installation, installation not in accordance with electrical or plumbing codes or correction of household electrical or plumbing (i.e. house wiring, fuses or water inlet hoses).
4. Consumable parts (i.e. light bulbs, batteries, air or water filters, preservation solutions, etc.).
5. Defects or damage caused by the use of non-genuine Whirlpool parts or accessories.
6. Conversion of products from natural gas or L.P. gas.
7. Damage from accident, misuse, abuse, fire, floods, acts of God or use with products not approved by Whirlpool.
8. Repairs to parts or systems to correct product damage or defects caused by unauthorized service, alteration or modification of the appliance.
9. Cosmetic damage including scratches, dents, chips, and other damage to the appliance finishes unless such damage results from defects in materials and workmanship and is reported to Whirlpool within 30 days.
10. Discoloration, rust or oxidation of surfaces resulting from caustic or corrosive environments including but not limited to high salt concentrations, high moisture or humidity or exposure to chemicals.
11. Food or medicine loss due to product failure.
12. Pick-up or delivery. This product is intended for in-home repair.
13. Travel or transportation expenses for service in remote locations where an authorized Whirlpool servicer is not available.
14. Removal or reinstallation of inaccessible appliances or built-in fixtures (i.e. trim, decorative panels, flooring, cabinetry, islands, countertops, drywall, etc.) that interfere with servicing, removal or replacement of the product.
15. Service or parts for appliances with original model/serial numbers removed, altered or not easily determined.

The cost of repair or replacement under these excluded circumstances shall be borne by the customer.

DISCLAIMER OF IMPLIED WARRANTIES

IMPLIED WARRANTIES, INCLUDING ANY IMPLIED WARRANTY OF MERCHANTABILITY OR IMPLIED WARRANTY OF FITNESS FOR A PARTICULAR PURPOSE, ARE LIMITED TO ONE YEAR OR THE SHORTEST PERIOD ALLOWED BY LAW. Some states and provinces do not allow limitations on the duration of implied warranties of merchantability or fitness, so this limitation may not apply to you. This warranty gives you specific legal rights, and you also may have other rights that vary from state to state or province to province.

DISCLAIMER OF REPRESENTATIONS OUTSIDE OF WARRANTY

Whirlpool makes no representations about the quality, durability, or need for service or repair of this major appliance other than the representations contained in this warranty. If you want a longer or more comprehensive warranty than the limited warranty that comes with this major appliance, you should ask Whirlpool or your retailer about buying an extended warranty.

LIMITATION OF REMEDIES; EXCLUSION OF INCIDENTAL AND CONSEQUENTIAL DAMAGES

YOUR SOLE AND EXCLUSIVE REMEDY UNDER THIS LIMITED WARRANTY SHALL BE PRODUCT REPAIR AS PROVIDED HEREIN. WHIRLPOOL SHALL NOT BE LIABLE FOR INCIDENTAL OR CONSEQUENTIAL DAMAGES. Some states and provinces do not allow the exclusion or limitation of incidental or consequential damages, so these limitations and exclusions may not apply to you. This warranty gives you specific legal rights, and you also may have other rights that vary from state to state or province to province.



INSTRUCCIONES PARA EL USUARIO DEL REFRIGERADOR

LE AGRADECEMOS la compra de este producto de alta calidad. Registre su refrigerador en www.whirlpool.com. En Canadá, registre su refrigerador en www.whirlpool.ca.

Para referencia futura, tome nota del número de modelo y de serie del producto, ubicados en la pared interior del compartimiento del refrigerador.

Número de modelo _____ Número de serie _____

SEGURIDAD DEL REFRIGERADOR

INSTRUCCIONES IMPORTANTES DE SEGURIDAD

ADVERTENCIA: Para reducir el riesgo de incendio, choque eléctrico, o lesiones personales al usar su refrigerador siga estas precauciones básicas:

- Conecte a un contacto de pared de conexión a tierra de 3 terminales.
- No use un adaptador.
- No quite la terminal de conexión a tierra.
- No use un cable eléctrico de extensión.
- Desconecte el suministro de energía antes de darle servicio.
- Vuelva a colocar todos los componentes y paneles antes de hacerlo funcionar.
- Remueva las puertas de su refrigerador viejo.
- Use un limpiador no inflamable.
- Mantenga los materiales y vapores inflamables, tales como gasolina, alejados del refrigerador.
- Use dos o más personas para mover e instalar el refrigerador.
- Desconecte el suministro de energía antes de instalar la fábrica de hielo (en aquellos modelos que incluyen el juego de instalación de la fábrica de hielo).
- Use un vaso resistente para recibir hielo del despachador (en algunos modelos).
- No golpee las puertas de vidrio del refrigerador (en algunos modelos).

CONSERVAR ESTAS INSTRUCCIONES

Advertencias de la Proposición 65 del estado de California:

ADVERTENCIA: Este producto contiene una o más sustancias químicas identificadas por el estado de California como causantes de cáncer.

ADVERTENCIA: Este producto contiene una o más sustancias químicas identificadas por el estado de California como causantes de defectos congénitos o algún otro tipo de daños en la función reproductora.

Cómo deshacerse adecuadamente de su refrigerador viejo

⚠️ ADVERTENCIA

Peligro de Asfixia

Remueva las puertas de su refrigerador viejo.

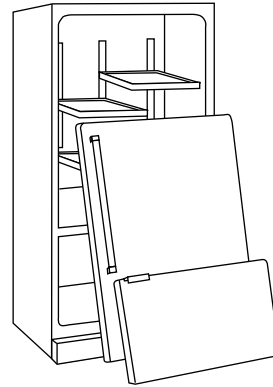
No seguir esta instrucción puede ocasionar la muerte o daño al cerebro.

IMPORTANTE: El atrapamiento y asfixia de niños no es un problema del pasado. Los refrigeradores tirados y abandonados son un peligro, aun si van a quedar ahí “por unos pocos días”. Si Ud. está por deshacerse de su refrigerador viejo, por favor siga las instrucciones que se dan a continuación para prevenir accidentes.

Antes de tirar su viejo refrigerador o congelador:

- Saque las puertas.

- Deje los estantes en su lugar, así los niños no pueden meterse adentro con facilidad.



Información importante para saber acerca del desecho de refrigerantes:

Deshágase del refrigerador siguiendo los reglamentos federales y locales. Los refrigerantes deberán ser evacuados por un técnico certificado en refrigeración por EPA (Agencia de protección del medioambiente) según los procedimientos establecidos.

INSTRUCCIONES DE INSTALACIÓN

Desempaque el refrigerador

⚠️ ADVERTENCIA

Peligro de Peso Excesivo

Use dos o más personas para mover e instalar el refrigerador.

No seguir esta instrucción puede ocasionar una lesión en la espalda u otro tipo de lesiones.

- Deshágase de todos los materiales de embalaje o recíclelos.

Cómo mover su refrigerador:

Su refrigerador es pesado. Cuando mueva el refrigerador para limpiarlo o para darle servicio, cerciórese de cubrir el piso con cartón o madera para evitar daños en el mismo. Al mover el refrigerador, siempre tire directamente hacia afuera. No menee el refrigerador de lado a lado ni lo haga “caminar” cuando lo trate de mover ya que podría dañar el piso.

Cómo quitar los materiales de empaque

- Quite los restos de cinta y goma de las superficies de su refrigerador antes de encenderlo. Frote un poco de detergente líquido para vajillas sobre el adhesivo con los dedos. Limpie con agua tibia y seque.
- No use instrumentos filosos, alcohol para fricciones, líquidos inflamables o productos de limpieza abrasivos para eliminar los restos de cinta o goma. Estos productos pueden dañar la superficie de su refrigerador. Para más información, vea “Seguridad del refrigerador”.

Limpieza antes del uso

Una vez que usted haya quitado todos los materiales de empaque, limpie el interior de su refrigerador antes de usarlo. Vea las instrucciones de limpieza en "Cuidado de su refrigerador".

Información importante para saber acerca de los estantes y tapas de vidrio:

No limpie los estantes y tapas de vidrio con agua caliente mientras están fríos. Los estantes y tapas pueden romperse si se exponen a cambios bruscos de temperatura o impacto, como sería un golpe brusco. El vidrio templado se ha diseñado para hacerse añicos. Esto es normal. Los estantes y tapas de vidrio son muy pesados. Use ambas manos al sacarlos para evitar que se caigan.

Requisitos de ubicación

⚠️ ADVERTENCIA



Peligro de Explosión

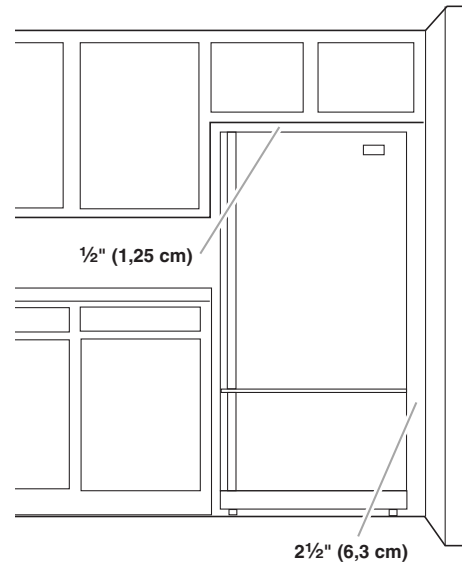
Mantenga los materiales y vapores inflamables, tales como gasolina, alejados del refrigerador.

No seguir esta instrucción puede ocasionar la muerte, explosión, o incendio.

IMPORTANTE: Este refrigerador ha sido diseñado para usarse solamente en el interior del hogar.

Para asegurar la adecuada ventilación para su refrigerador, deje un espacio de ½" (1,25 cm) a cada lado y por encima. Deje un espacio de 1" (2,54 cm) detrás del refrigerador. Si su refrigerador tiene fábrica de hielo, asegúrese que hay espacio adicional atrás para las conexiones de la línea de agua. Si Ud. instala el refrigerador próximo a una pared fija, deje como mínimo 2½" (6,3 cm) del lado de la bisagra (algunos modelos requieren más), para permitir que la puerta se abra completamente.

NOTA: Este refrigerador ha sido diseñado para usarse en un lugar en donde los rangos de temperatura varíen entre un mínimo de 55°F (13°C) y un máximo de 110°F (43°C). Para un óptimo rendimiento, el rango preferido de temperatura de la habitación (que reduce el uso de electricidad y provee un enfriamiento superior) es de entre 60°F (15°C) y 90°F (32°C). No se recomienda instalar el refrigerador cerca de una fuente de calor, como puede ser un horno o un radiador.



Requisitos eléctricos

⚠ ADVERTENCIA



Peligro de Choque Eléctrico

Conecte a un contacto de pared de conexión a tierra de 3 terminales.

No quite la terminal de conexión a tierra.

No use un adaptador.

No use un cable eléctrico de extensión.

No seguir estas instrucciones puede ocasionar la muerte, incendio o choque eléctrico.

Antes de mover el refrigerador a su ubicación final, es importante asegurarse que tiene la conexión eléctrica adecuada.

Método de conexión a tierra recomendado

Se requiere una fuente de energía eléctrica de 115 Voltios, 60 Hz., CA solamente y con fusibles de 15 ó 20 amperios, conectada a tierra. Se recomienda que use un circuito separado sólo para su refrigerador. Use un tomacorriente que no se pueda apagar con un interruptor. No use un cable eléctrico de extensión.

NOTA: Antes de realizar cualquier tipo de instalación, limpie o de quitar un foco de luz, ponga el refrigerador en OFF (Apagado). Dependiendo del modelo, gire el control del congelador hacia la palabra OFF o presione el botón táctil con el signo menos varias veces hasta que aparezca un guión (-) en la pantalla del congelador y la del refrigerador, como se muestra. Desconecte el refrigerador de la fuente de suministro eléctrico. Cuando haya terminado, reconecte el refrigerador a la fuente de energía eléctrica y vuelva a poner los controles de temperatura en la posición deseada. Vea "Uso de los controles".



Requisitos del suministro de agua

Reúna las herramientas y piezas necesarias antes de comenzar la instalación. Lea y siga las instrucciones provistas con cualquiera de las herramientas enlistadas aquí.

HERRAMIENTAS NECESARIAS:

- Destornillador de hoja plana
- Llaves de boca de 7/16" y 1/2" o dos llaves ajustables
- Llave de tuercas de 1/4"
- Broca de 1/4"
- Taladro inalámbrico

IMPORTANTE:

- Todas las instalaciones deben hacerse de acuerdo a los requisitos locales de plomería.
- No use una válvula perforadora o una válvula de montura de 3/16" (4,76 mm), la cual reduce el flujo de agua y se obstruye con más facilidad.

- Use tubería de cobre y revise si hay fugas. Instale la tubería de cobre sólo en áreas donde la temperatura vaya a permanecer por encima del punto de congelación.
- Para modelos con filtros de agua, el filtro de agua desechable deberá reemplazarse por lo menos cada 6 meses.

Presión del agua

Se necesita un suministro de agua fría con presión de agua entre 35 y 120 lbs/pulg² (241 y 827 kPa) para hacer funcionar el despachador de agua y la fábrica de hielo. Si tiene preguntas acerca de la presión del agua, llame a un plomero competente autorizado.

Suministro de agua por ósmosis inversa

IMPORTANTE: La presión del suministro de agua que sale de un sistema de ósmosis inversa y va a la válvula de entrada de agua del refrigerador necesitará ser entre 35 y 120 lbs/pulg² (241 y 827 kPa).

Si se conecta un sistema de filtración de agua de ósmosis inversa al suministro de agua fría, la presión de agua al sistema de ósmosis inversa necesitará ser de un mínimo de 40 a 60 lbs/pulg² (276 a 414 kPa).

Si la presión de agua hacia el sistema de ósmosis inversa es menor de 40 a 60 lbs/pulg² (276 a 414 kPa):

- Verifique si el filtro de sedimentos en el sistema de ósmosis inversa está bloqueado. Reemplácelo si fuera necesario.
- Deje que se vuelva a llenar el tanque de almacenaje del sistema de ósmosis inversa después del uso intenso.
- Si su refrigerador tiene un filtro de agua, se podrá reducir la presión aún más si se usa en conjunto con un sistema de ósmosis inversa. Saque el filtro de agua. Vea "Sistema de filtración de agua".

Si tiene preguntas acerca de la presión del agua, llame a un plomero competente autorizado.

Conexión del suministro de agua

Lea todas las instrucciones antes de comenzar.

IMPORTANTE:

- Las instalaciones de plomería deben efectuarse de conformidad con el Código de plomería internacional y los códigos y ordenanzas de plomería locales.
- El tubo de agua gris en la parte posterior del refrigerador (que se utiliza para hacer la conexión a la línea de agua de la casa) es una tubería PEX (polietileno reticulado). Son aceptables las conexiones de tuberías de cobre y PEX desde la línea de agua de la casa al refrigerador y ayudarán a evitar que el agua y el hielo tengan mal olor o sabor. Revise si hay fugas.

Si se utiliza una tubería PEX en lugar de una tubería de cobre, recomendamos los siguientes números de pieza:

W10505928RP (PEX recubierto de 7 pies [2,14 m]),
8212547RP (PEX de 5 pies [1,52 m]), o
W10267701RP (PEX de 25 pies [7,62 m]).

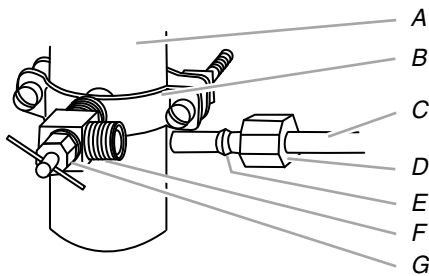
- Instale la tubería sólo en áreas donde las temperaturas permanezcan por encima del punto de congelación.
- Si enciende el refrigerador antes de conectar la línea de agua, apague la fábrica de hielo para evitar el ruido excesivo o daños en la válvula de agua.

Conexión a la línea de agua

1. Desenchufe el refrigerador o desconecte el suministro de energía.
2. CIERRE el suministro principal de agua. ABRA la llave de agua más cercana al tiempo suficiente para que la tubería de agua se vacíe.
3. Busque una tubería vertical de agua fría de ½" a 1¼" (12,7 mm a 31,8 mm) cercana al refrigerador.

IMPORTANTE:

- Asegúrese de que sea una tubería de agua fría.
 - Una tubería horizontal funcionará, pero debe seguirse el procedimiento indicado a continuación: taladre por el lado de arriba de la tubería, no por debajo. Esto ayudará a mantener el agua alejada del taladro. Esto también evita que se acumule el sedimento normal en la válvula.
4. Determine la longitud de la tubería de cobre que necesite. Mida desde la conexión de la parte baja trasera derecha del refrigerador hasta la tubería de agua. Agregue 7 pies (2,1 m) para poder mover el refrigerador para limpiarlo. Use tubería de cobre de ¼" (6,35 mm) de diámetro externo. Asegúrese que ambos extremos de la tubería de cobre están cortados a escuadra.
 5. Usando un taladro inalámbrico, haga un orificio de ¼" en la tubería de agua fría que usted eligió.



A. Tubería de agua fría
B. Abrazadera para tubería
C. Tubería de cobre
D. Tuerca de compresión
E. Manga de compresión
F. Válvula de cierre
G. Tuerca de presión

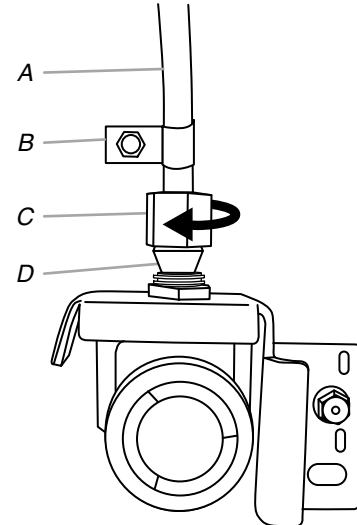
6. Afiance la válvula de cierre a la tubería de agua fría con la abrazadera para tubería. Asegúrese que el extremo de salida esté firmemente insertado en el orificio taladrado de ¼" en la tubería de agua y que la arandela esté por debajo de la abrazadera para tubería. Apriete la tuerca de presión. Apriete los tornillos de la abrazadera para tubería lentamente y en forma pareja de manera que la arandela provea un cierre hermético. No apriete demasiado.
7. Deslice la manga de compresión y la tuerca de compresión sobre la tubería de cobre como se muestra. Inserte el extremo de la tubería en el extremo de salida de forma recta hasta donde sea posible. Atornille la tuerca de compresión en el extremo de salida usando la llave ajustable. No apriete demasiado porque se puede quebrar la tubería de cobre.
8. Coloque el extremo libre de la tubería en un recipiente o fregadero y ABRA el suministro principal de agua. Enjuague la tubería hasta que el agua salga limpia. CIERRE la válvula de cierre del tubo de agua.

Conexión al refrigerador

Dependiendo de su modelo, la línea de agua puede bajar de la parte superior o subir de la parte inferior. Siga las instrucciones de conexión para su modelo.

Estilo 1

1. Saque la tapa de plástico del puerto de entrada de la válvula de agua. Fije el tubo de cobre a la entrada de la válvula usando una tuerca de compresión y manga de compresión como se muestra. Ajuste la tuerca de compresión. No apriete demasiado. Jale la tubería de cobre para asegurarse de que está firme.
2. Haga un lazo de servicio con la tubería de cobre. Evite torceduras al enrollar la tubería de cobre. Asegure la tubería de cobre a la carcasa del refrigerador con una abrazadera en "P".

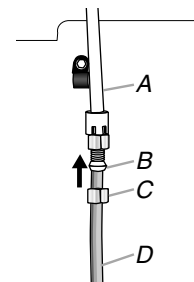


A. Tubería de cobre
B. Abrazadera en "P"
C. Tuerca de compresión
D. Manga de compresión

3. Abra el suministro de agua al refrigerador y revise si hay fugas de agua. Tape cualquier fuga que encuentre.

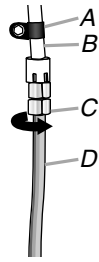
Estilo 2

1. Haga un lazo de servicio (diámetro mínimo de 2 pies [61 cm]) con la tubería de cobre. Evite torceduras al enrollar la tubería de cobre.
2. Quite la tapa de plástico del puerto de entrada de la válvula de agua. Coloque una manga y tuerca de compresión en la tubería de cobre.
3. Introduzca el extremo de la tubería de cobre en el puerto de entrada de la válvula de agua. Moldee ligeramente la tubería de tal forma que la tubería entre de forma recta en el puerto para evitar torceduras.
4. Deslice la tuerca de compresión sobre la manga y atornille en el puerto de entrada de la válvula de agua.



A. Tubería de agua de plástico
B. Manga
C. Tuerca de compresión
D. Tubería de cobre

- Con una llave de tuercas ajustable, sostenga la tuerca sobre la línea de agua de plástico para evitar que se mueva. Luego, con una segunda llave, gire la tuerca de compresión que está en la tubería de cobre, en el sentido contrario de las manecillas del reloj para apretar completamente. No apriete demasiado.



A. Abrazadera en "P" C. Tuerca de compresión
B. Línea de agua de plástico D. Tubería de cobre

- Verifique la conexión jalando la tubería de cobre. Sujete la tubería de plástico de agua a la carcasa del refrigerador con una abrazadera en "P".
- Abra el suministro de agua al refrigerador y revise si hay fugas de agua. Tape cualquier fuga que encuentre.

Complete la instalación

⚠ ADVERTENCIA



Peligro de Choque Eléctrico

Conecte a un contacto de pared de conexión a tierra de 3 terminales.

No quite la terminal de conexión a tierra.

No use un adaptador.

No use un cable eléctrico de extensión.

No seguir estas instrucciones puede ocasionar la muerte, incendio o choque eléctrico.

- Conecte a un contacto de pared de conexión a tierra de 3 terminales.

NOTA: Deje transcurrir 24 horas para la producción del primer lote de hielo. Deshágase de los tres primeros lotes de hielo producidos. Deje transcurrir 3 días para que se vuelva a llenar el depósito de hielo.

Puerta(s) y cajón del refrigerador

HERRAMIENTAS NECESARIAS: Llave de cubo de cabeza hexagonal de $\frac{5}{16}$ ", $\frac{3}{8}$ ", $\frac{1}{4}$ ", destornillador Phillips N° 2 y un destornillador de hoja plana.

IMPORTANTE:

- Su refrigerador puede tener una puerta reversible estándar con una puerta en el congelador o un congelador tipo cajón, o dos puertas con congelador en la parte inferior. Siga las instrucciones específicas para el estilo de puerta de su modelo.

- Todas las ilustraciones a las que se hace referencia en las siguientes instrucciones se incluyen más adelante en esta sección, después de "Pasos finales". Las ilustraciones que se muestran para una puerta estándar son para un refrigerador que se abre hacia la derecha (las bisagras han sido instaladas de fábrica a la derecha).
- Si usted sólo quiere quitar las puertas y volverlas a colocar, vea las secciones "Cómo quitar las puertas y las bisagras" y "Cómo volver a poner las puertas y las bisagras en su lugar".
- Antes de comenzar, APAGUE el control del refrigerador, saque los alimentos y los recipientes regulables o de uso general de las puertas.

Cómo instalar y quitar las manijas

Puerta estándar

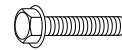
- Para volver a colocar la manija, alinee la manija en la puerta o el cajón, como se muestra. Con un destornillador Phillips, ajuste la manija a la puerta con los tornillos para manija.
- Para volver a colocar las piezas de adorno de la manija, presione firmemente con su mano el frente del adorno y deslice la pieza del adorno hacia el centro de la manija.
- Para quitar las manijas, invierta las instrucciones.

Dos puertas con congelador en la parte inferior

- Para quitar la manija, use una llave hexagonal en L de $\frac{3}{32}$ " para aflojar los dos tornillos de ajuste ubicados al costado de cada manija. Jale la manija directamente hacia afuera de la puerta o del cajón. Asegúrese que guarda los tornillos para reinstalar las manijas. Vea las ilustraciones 1 y 2 de Manija.
- Para volver a colocar las manijas, invierta las instrucciones.

Cómo quitar las puertas y las bisagras

Puerta estándar



Tornillo para bisagra superior de cabeza hexagonal

Modelos con congelador de cajón

- Desenchufe el refrigerador o desconecte el suministro de energía.
- Mantenga la puerta del refrigerador cerrada hasta que esté listo para levantarla y quitarla de la carcasa.
NOTA: Mientras quita las bisagras siempre disponga de un soporte adicional para la puerta. No se confíe en que los imanes de la junta de la puerta van a sostener la puerta en su lugar mientras trabaja.
- Quite los componentes de la bisagra superior como se muestra en la ilustración Bisagra superior. Levante y quite la puerta del refrigerador de la carcasa.
- Saque los componentes de la bisagra inferior, como se muestra en la ilustración Bisagra inferior.

Modelos con puerta en el congelador

- Desenchufe el refrigerador o desconecte el suministro de energía.
- Mantenga la puerta del congelador cerrada hasta que esté listo para levantarla y quitarla de la carcasa.
NOTA: Mientras quita las bisagras siempre disponga de un soporte adicional para la puerta. No se confíe en que los imanes de la junta de la puerta van a sostener la puerta en su lugar mientras trabaja.

3. Quite los componentes de la bisagra superior como se muestra en la ilustración Bisagra superior. Levante y quite la puerta del refrigerador de la carcasa.
4. Saque el pasador de la bisagra central y los tornillos de la bisagra, como se muestra en la ilustración Bisagra central. Levante y quite la puerta del congelador de la carcasa.
5. Saque la rejilla de la base sujetándola firmemente con ambas manos y jalándola hacia usted.
6. Saque los componentes de la bisagra inferior, como se muestra en la ilustración Bisagra inferior.

Dos puertas con congelador en la parte inferior

⚠ ADVERTENCIA



Peligro de Choque Eléctrico

Desconecte el suministro de energía antes de sacar las puertas.

No seguir esta instrucción puede ocasionar la muerte o choque eléctrico.

1. Desenchufe el refrigerador o desconecte el suministro de energía.
2. Mantenga las puertas del refrigerador cerradas hasta que esté listo para levantarlas y quitarlas de la carcasa.
NOTA: Mientras quita las bisagras siempre disponga de un soporte adicional para la puerta del refrigerador. No se confíe en que los imanes de la junta de la puerta van a sostener la puerta en su lugar mientras trabaja.
3. Comenzando por la puerta del lado derecho, saque las piezas de la bisagra superior, como se muestra en la ilustración Bisagra superior. Levante y saque la puerta del refrigerador del pasador inferior de la bisagra.
4. Saque la cubierta del pasador de la bisagra del pasador de la bisagra inferior y guárdela para usarla más tarde. Vea la ilustración Bisagra inferior.
5. Antes de sacar la puerta del lado izquierdo, desconecte el enchufe de cableado que está ubicado sobre la bisagra superior introduciendo un destornillador de hoja plana o la uña entre las dos secciones. Vea la ilustración Enchufe de cableado.
NOTA: El alambre verde de puesta a tierra permanece sujeto a la bisagra.
6. Saque los componentes de la bisagra superior que está en la puerta del lado izquierdo, como se muestra en la ilustración Bisagra superior. Levante y saque la puerta del pasador de la bisagra inferior.
NOTA: Saque la cubierta del pasador de la bisagra del pasador de la bisagra inferior y guárdela para usarla más tarde. Vea la ilustración Bisagra inferior.

Cómo invertir el cierre de la puerta - Puerta estándar (opcional)

IMPORTANTE: Siga estas instrucciones si desea que la puerta se abra en el sentido opuesto. Si no desea cambiar el sentido de apertura de la puerta, vea "Cómo volver a poner la(s) puerta(s) y las bisagras en su lugar".



Tornillo del retén de la puerta



Tornillo sellador frontal de la manija de la puerta



Tornillo de cabeza plana para la manija



Tapón del orificio de la bisagra de la carcasa

Carcasa

1. Quite los tornillos de la bisagra del lado de la manija y colóquelos del lado opuesto. Vea la ilustración 1.

Puerta del refrigerador

1. Saque el ensamblaje de la manija del refrigerador, como se muestra en la ilustración 2. Mantenga juntos todos los componentes.
2. Quite el tornillo sellador frontal de la manija de la puerta. Colóquelos del lado opuesto de la puerta del refrigerador como se indica en la ilustración 5.
3. Quite el retén de la puerta. Colóquelo del lado opuesto de la puerta del refrigerador, como se indica en la ilustración 3.
4. Ajuste la manija del refrigerador en el lado opuesto de la puerta del refrigerador con dos tornillos, como se muestra en la ilustración 2. Vuelva a colocar el adorno de la manija como se muestra.
5. Apriete todos los tornillos. Ponga la puerta a un lado hasta que las bisagras y el cajón del compartimiento del congelador estén en su sitio.

Puerta del congelador

1. Saque el ensamblaje de la manija del congelador, como se muestra en la ilustración 4. Mantenga juntos todos los componentes.
2. Quite el retén de la puerta. Colóquelo del lado opuesto de la puerta del congelador como se indica en la ilustración 3.
3. Sujete la manija al lado opuesto de la puerta del congelador.
4. Apriete todos los tornillos. Coloque la puerta a un lado.
5. Retire la rejilla de la base sujetándola firmemente con ambas manos y jalándola hacia usted.
NOTA: Coloque una cuña debajo del borde frontal inferior de la carcasa del refrigerador para disminuir el peso sobre los soportes de los rodillos.
6. Saque los tornillos de los dos soportes de rodillos. Vea la ilustración 6.
7. Quite la placa de la bisagra que está ubicada detrás del soporte del rodillo y colóquela en el lado opuesto del refrigerador. Mueva el pasador de la bisagra y la cuña al orificio exterior en la placa de la bisagra. Vea la ilustración 6.

Cómo volver a poner la(s) puerta(s) y las bisagras en su lugar

Puerta estándar

NOTA: Si el sentido de abertura de la puerta se cambia, la imagen de la puerta podría quedar invertida.

Modelos con congelador de cajón

1. Vuelva a poner los componentes de la bisagra inferior en su sitio como se indica. Apriete los tornillos.

NOTA: Mientras quita las bisagras siempre disponga de un soporte adicional para la puerta. No se confíe en que los imanes de la junta de las puertas van a sostener la puerta en su lugar mientras trabaja.

2. Ensamble los componentes de la bisagra superior, como se muestra en la ilustración Bisagra superior. No atornille completamente los tornillos.
3. Ajuste la puerta de modo que la base de la puerta del refrigerador esté alineada en forma pareja con la parte superior del cajón del congelador. Apriete todos los tornillos.

Modelos con puerta en el congelador

1. Asegúrese de que la placa de la bisagra esté bien asegurada detrás del soporte del rodillo y que el pasador de la bisagra esté insertado en el orificio exterior. Apriete por completo todos los tornillos del soporte del rodillo. Vea la ilustración 6.
2. Saque la cuña que colocó debajo del borde frontal de la carcasa del refrigerador. Vuelva a poner en su lugar la puerta del congelador.
NOTA: Mientras quita las bisagras, siempre disponga de un soporte adicional para la puerta. No se confíe en que los imanes de la junta de las puertas van a sostener la puerta en su lugar mientras trabaja.
3. Ensamble los componentes de la bisagra central, como se indica en la ilustración Bisagra central, y apriete todos los tornillos. Vuelva a poner en su lugar la puerta del refrigerador.
4. Ensamble los componentes de la bisagra superior como se muestra en la ilustración Bisagra superior. No apriete completamente los tornillos.
5. Ajuste las puertas de modo que la base de la puerta del refrigerador esté alineada con la parte superior de la puerta del congelador. Apriete todos los tornillos.

Dos puertas con congelador en la parte inferior

1. Ensamble los componentes de las bisagras superiores, como se muestra en la ilustración Bisagra superior. No atornille completamente los tornillos.
2. Vuelva a colocar los componentes de las bisagras inferiores, como se muestra en la ilustración Bisagra inferior. Apriete los tornillos. Vuelva a poner en su lugar las puertas del refrigerador.
NOTA: Mientras quita las bisagras siempre disponga de un soporte adicional para las puertas del refrigerador. No se confíe en que los imanes de la junta de la puerta van a sostener las puertas en su lugar mientras trabaja.
3. Alinee cada puerta de modo que la base de la puerta del refrigerador esté alineada en forma pareja con la parte superior del cajón del congelador. Apriete todos los tornillos.
4. Vuelva a conectar el enchufe de cableado sobre la puerta del lado izquierdo del refrigerador.
5. Vuelva a colocar las cubiertas de la bisagra superior.

Cómo quitar y volver a colocar el cajón del congelador

IMPORTANTE:

- Tal vez se necesiten dos personas para quitar y volver a colocar el cajón del congelador.
- Todas las ilustraciones se incluyen en esta sección, más adelante, después de “Pasos finales”.

Para quitar el frente del cajón

1. Abra el cajón del congelador en toda su extensión.
2. Afloje los cuatro tornillos que sujetan las guías del cajón al frente del cajón. Vea la ilustración Remoción del frente del cajón.
NOTA: Afloje los tornillos girándolos tres o cuatro veces. Mantenga los tornillos en el frente del cajón.
3. Levante el frente del cajón hacia arriba y fuera de los tornillos. Vea la ilustración Cómo quitar el frente del cajón.

Para volver a colocar el frente del cajón

1. Deslice las guías fuera del compartimiento del congelador. Inserte los tornillos en la parte superior del frente del cajón, dentro de las ranuras que están en los soportes del cajón. Vea la ilustración Cómo volver a colocar el frente del cajón.
2. Jale los soportes del cajón hacia usted para colocar los dos tornillos en la base del frente del cajón, dentro de los soportes. Vea la ilustración Cómo volver a colocar el frente del cajón.
3. Apriete por completo los cuatro tornillos.

Pasos finales

1. Revise todos los orificios para cerciorarse que los tapones de los orificios y los tornillos estén en su lugar. Vuelva a colocar la tapa de la bisagra superior, como se muestra en la ilustración Bisagra superior.
2. Vuelva a colocar la rejilla de la base.

⚠ ADVERTENCIA



Peligro de Choque Eléctrico

Conecte a un contacto de pared de conexión a tierra de 3 terminales.

No quite la terminal de conexión a tierra.

No use un adaptador.

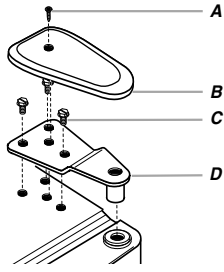
No use un cable eléctrico de extensión.

No seguir estas instrucciones puede ocasionar la muerte, incendio o choque eléctrico.

3. Conecte a un contacto de pared de conexión a tierra de 3 terminales.
4. Regrese todas las partes removibles a la puerta y la comida al refrigerador.

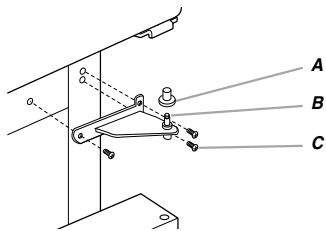
Cómo quitar y volver a poner la puerta en su lugar

Bisagra superior



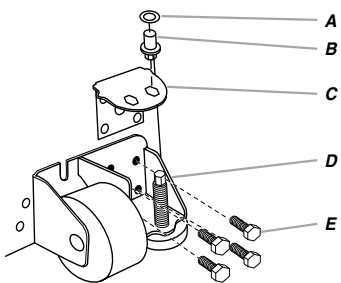
- A. Tornillo para la cubierta de la bisagra
- B. Cubierta de la bisagra superior
- C. Tornillos de cabeza hexagonal para bisagra de 5/16"
- D. Bisagra superior

Bisagra central



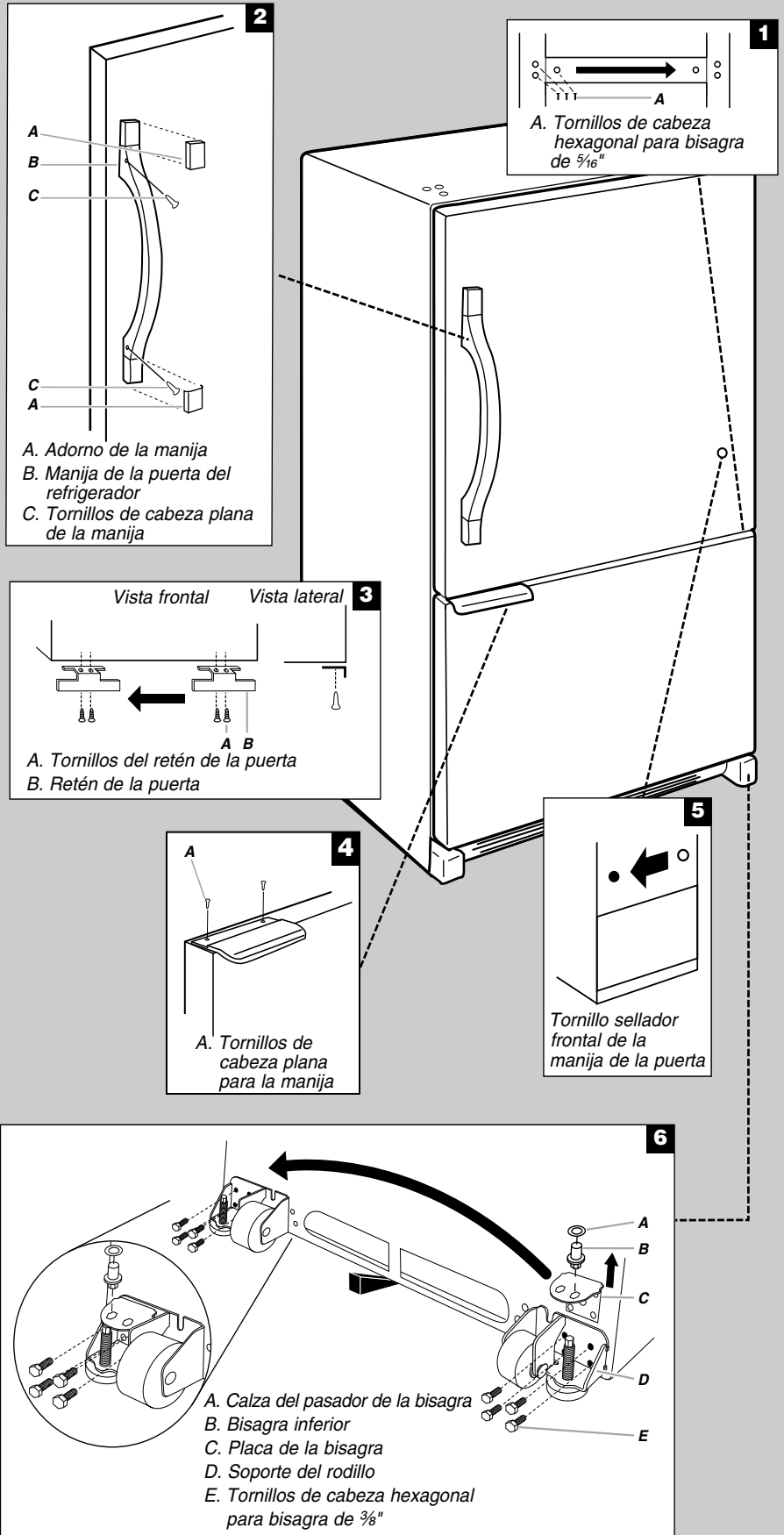
- A. Cubierta del pasador de la bisagra
- B. Bisagra central
- C. Tornillos de la bisagra

Bisagra inferior

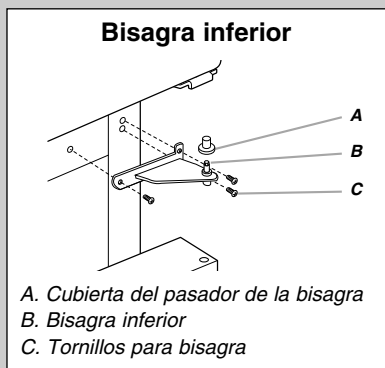
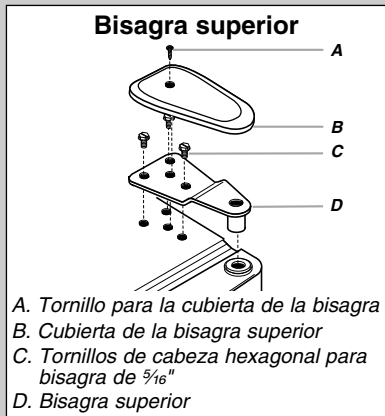


- A. Calza del pasador de la bisagra
- B. Bisagra inferior
- C. Placa de la bisagra
- D. Soporte del rodillo
- E. Tornillos de cabeza hexagonal para bisagra de 3/8"

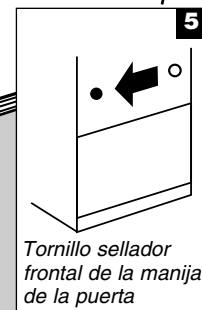
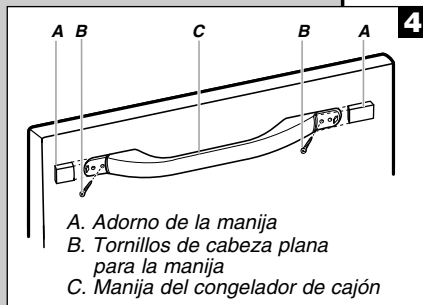
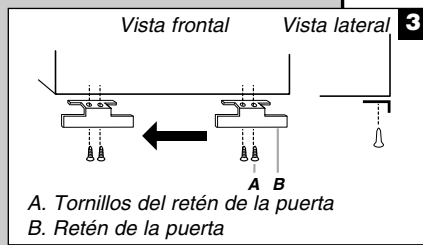
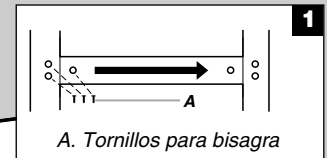
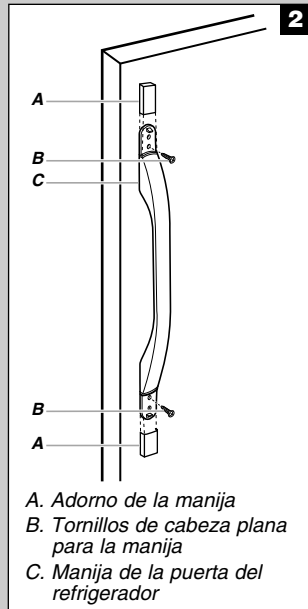
Cambio del sentido de abertura de las puertas (opcional)



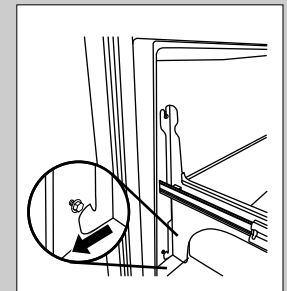
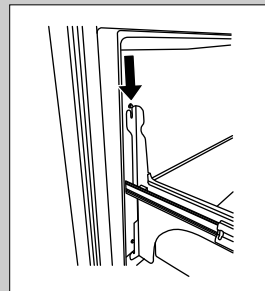
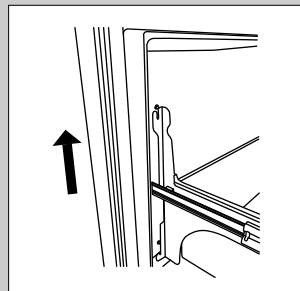
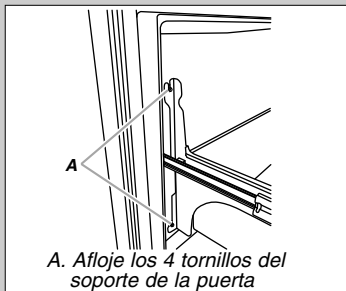
Cómo quitar y volver a poner la puerta en su lugar



Cambio del sentido de abertura de las puertas (opcional)



Cómo quitar el frente del cajón



Cómo volver a colocar el frente del cajón



⚠ ADVERTENCIA

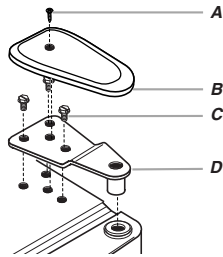
Peligro de Choque Eléctrico

Desconecte el suministro de energía antes de sacar las puertas.

No seguir esta instrucción puede ocasionar la muerte o choque eléctrico.

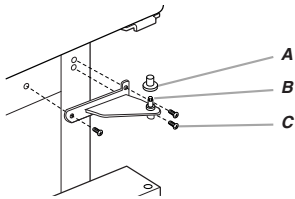
Cómo quitar y volver a poner la puerta en su lugar

Bisagras superiores



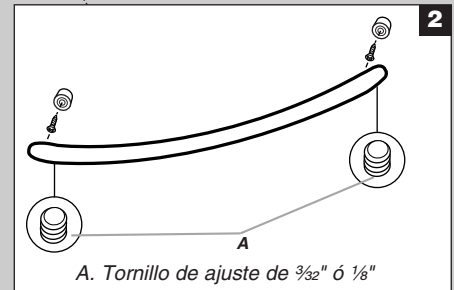
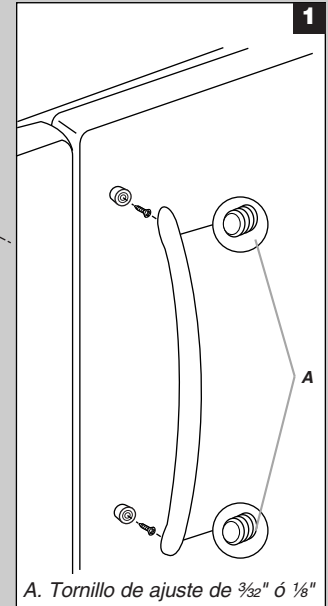
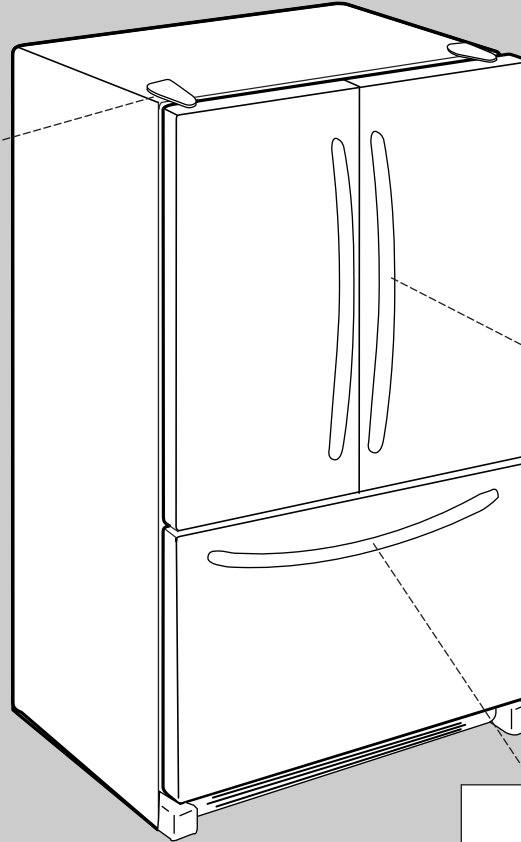
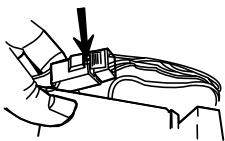
- A. Tornillo para la cubierta de la bisagra
- B. Cubierta de la bisagra superior
- C. Tornillos de cabeza hexagonal para bisagra de 5/16"
- D. Bisagra superior

Bisagras inferiores

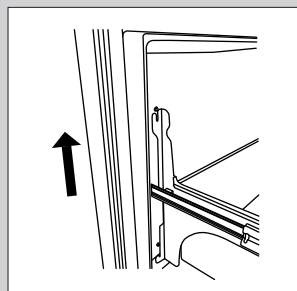
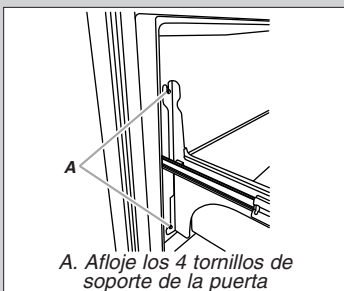


- A. Cubierta del pasador de la bisagra
- B. Bisagra inferior
- C. Tornillos para bisagra

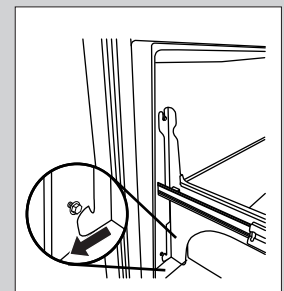
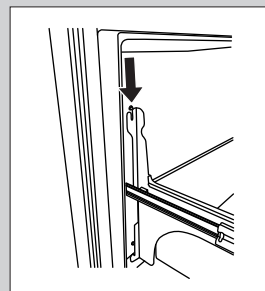
Enchufe de cableado



Cómo quitar el frente del cajón



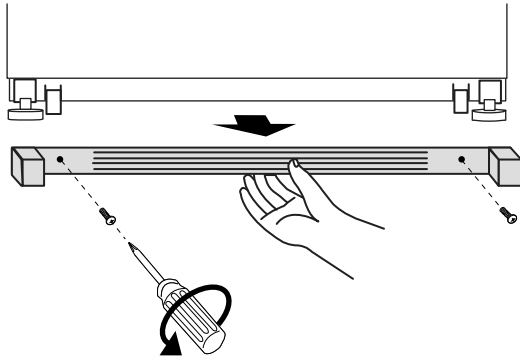
Cómo volver a colocar el frente del cajón



Cierre y alineamiento de la puerta

La rejilla de la base cubre los ensamblajes de tornillos niveladores y rodillos, ubicados en la base de la carcasa del refrigerador, debajo de la puerta o del cajón del congelador. Antes de hacer ajustes, quite la rejilla de la base y traslade el refrigerador hacia su ubicación final.

1. Quite los dos tornillos que sujetan la rejilla de la base a la carcasa y coloque los tornillos a un lado. Tome la rejilla con firmeza y jálela hacia usted.

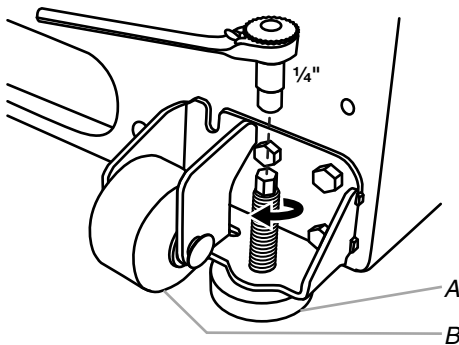


2. Mueva el refrigerador a su ubicación final.

NOTA: Para permitir que el refrigerador se deslice con más facilidad, levante las patas niveladoras del piso girando los tornillos niveladores hacia la izquierda. Los rodillos frontales tocarán el piso.

3. Para que las puertas se cierren con más facilidad, use una llave hexagonal de 1/4" para girar ambos tornillos niveladores hacia la derecha. Esto hará que se levante la parte frontal del refrigerador, inclinándose ligeramente hacia abajo en la parte posterior. Gire ambos tornillos niveladores la misma cantidad de veces.

NOTA: Para quitar un poco de peso de los tornillos niveladores, haga que alguien empuje la parte superior del refrigerador. Esto facilita el giro de los tornillos.

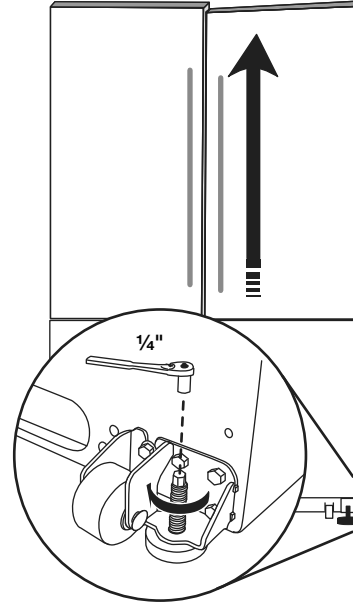


A. Tornillo nivelador
B. Rodillo frontal

4. Abra y cierre las puertas para verificar que se cierran con la facilidad que usted desea. Si no es así, aumente la inclinación girando ambos tornillos niveladores hacia la derecha. Puede precisar darle varias vueltas al tornillo nivelador para permitir que las puertas se cierren con más facilidad.

5. Revise el alineamiento de la puerta. Si una puerta está más baja que la otra, regule el tornillo nivelador que se encuentra en el lado inferior del refrigerador. Con una llave hexagonal de 1/4", gire el tornillo hacia la derecha para levantar ese lado del refrigerador, hasta que se alineen las puertas. Puede precisar darle varias vueltas al tornillo nivelador para levantar el refrigerador.

NOTA: Para quitar un poco de peso de los tornillos niveladores, haga que alguien empuje la parte superior del refrigerador. Esto facilita el giro de los tornillos.



6. Asegúrese de que el refrigerador esté estable. Si el refrigerador parece inestable o se desliza hacia delante cuando se abre la puerta o el cajón, regule los tornillos niveladores. Gire el tornillo nivelador de cada lado hacia la derecha con una llave hexagonal de 1/4" hasta que los rodillos estén hacia arriba y las patas niveladoras estén firmes contra el piso.
7. Vuelva a colocar la rejilla de la base alineando los orificios de la rejilla con los orificios de la carcasa y sujete utilizando los tornillos que se quitaron en el paso 1.

USO DE SU REFRIGERADOR

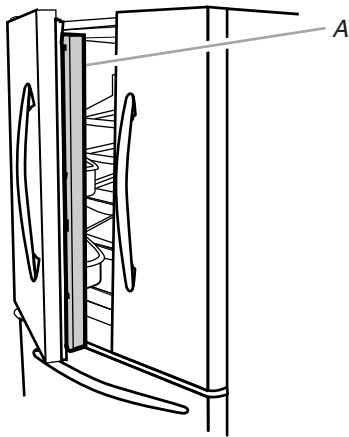
Cómo abrir y cerrar las puertas (Modelos de dos puertas)

El compartimiento del refrigerador tiene dos puertas. Las puertas pueden abrirse y cerrarse ya sea en forma separada o juntas.

Hay una junta con bisagras verticales en la puerta izquierda del refrigerador.

- Cuando se abre la puerta izquierda, la junta con bisagras se pliega hacia adentro automáticamente, para quedar fuera del camino.

- Cuando ambas puertas están cerradas, la junta con bisagras forma automáticamente un sello entre las dos puertas.



A. Junta con bisagra

Uso de los controles

El centro de control está ubicado en la parte frontal superior del compartimiento del refrigerador.

Controles de temperatura

Para su conveniencia, los controles de temperatura vienen prefijados de fábrica. Cuando instale el refrigerador por primera vez, asegúrese de que los controles estén todavía fijados en los puntos fijos recomendados, como se muestra.

Ajustes recomendados



IMPORTANTE:

- Los ajustes recomendados deben ser los correctos para un uso doméstico normal del refrigerador. Los controles están ajustados correctamente cuando la leche o los jugos están tan fríos como Ud. desea y cuando el helado tiene consistencia firme.
- Cuando el refrigerador esté encendido, la pantalla de la temperatura muestra el punto fijo de temperatura del compartimiento.
- Espere 24 horas para que el refrigerador se enfríe completamente antes de agregar alimentos. Si agrega alimentos antes de que el refrigerador se haya enfriado por completo, sus alimentos podrían echarse a perder.
NOTA: Poner los controles de temperatura del refrigerador y del congelador en un ajuste más frío que el recomendado no enfriará más rápido los compartimientos.
- Si la temperatura está demasiado caliente o demasiado fría en el refrigerador o en el congelador, antes de regular los controles, revise primero los conductos de ventilación para cerciorarse de que no estén obstruidos.

Para encender/apagar su refrigerador:

- Presione el botón táctil (+) del congelador hasta que aparezca "OFF" (Apagado) en la pantalla del congelador. Espere unos cuantos segundos para que el refrigerador se apague. No se enfriará ningún compartimiento.

- Presione el botón táctil (-) del refrigerador o del congelador para encender el refrigerador.

Cómo ajustar los controles

El control del REFRIGERADOR regula la temperatura del compartimiento del refrigerador. El control del CONGELADOR regula la temperatura del compartimiento del congelador.

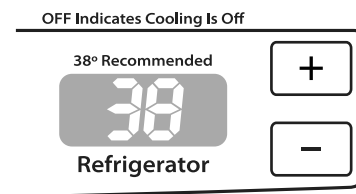
Si necesita regular la temperatura en el compartimiento del refrigerador o del congelador, utilice como guía los ajustes que se enumeran en la tabla.

Para regular temperaturas de punto de ajuste:

Al primer toque del botón táctil de (+) o de (-), muestra en la pantalla el punto fijo actual de temperatura.

- Presione los botones táctiles (+) o (-) hasta que aparezca en la pantalla el punto fijo deseado de temperatura.

NOTA: No ajuste ningún control de temperatura más de un ajuste por vez, excepto cuando encienda el refrigerador por primera vez. Espere 24 horas entre ajustes para que se establezca la temperatura.



CONDICIÓN/MOTIVO:	AJUSTE:
REFRIGERADOR demasiado caliente	Control del REFRIGERADOR 1° más bajo
CONGELADOR demasiado caliente/muy poco hielo	Ajuste el control del CONGELADOR 1° más bajo
REFRIGERADOR demasiado frío	Ajuste el control del REFRIGERADOR 1° más alto
CONGELADOR demasiado frío	Ajuste el control del CONGELADOR 1° más alto

Funciones adicionales del centro de control

Max Ice (Hielo máximo)

La característica Max Ice (Hielo máximo) ayuda en los períodos temporarios de uso abundante de hielo aumentando la producción del mismo.

- Presione el botón táctil de Max Ice para fijar el congelador en los ajustes de temperatura más bajos. Presione nuevamente el botón táctil Max Ice para volver al punto fijo normal del congelador.

NOTA: La característica Max Ice se apagará automáticamente en aproximadamente 24 horas.



Humidity Control (Control de humedad)

La función de control de humedad enciende un calentador para ayudar a reducir la humedad en el sello de la bisagra de la puerta. Úselo en ambientes húmedos o cuando usted nota humedad en el sello de la bisagra de la puerta. El refrigerador utiliza más energía cuando el Control de humedad (Humidity Control) está encendido.

- Presione Humidity Control (Control de humedad) cuando el ambiente esté cálido y más húmedo, o si nota humedad en el sello de la bisagra de la puerta. Se encenderá la luz indicadora cuando el control de humedad esté ENCENDIDO.
- Presione Humidity Control (Control de humedad) para ahorrar energía cuando el ambiente esté menos húmedo.



Temp Alarm (Alarma de temperatura)

La característica Temp Alarm (Alarma de temperatura) provee información importante acerca de la temperatura en el caso de que haya un corte de corriente.

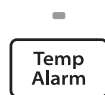
Cortes de corriente: Durante un corte de corriente, si la temperatura de los compartimientos del refrigerador y del congelador se excede de las temperaturas normales para el funcionamiento, aparecerá en la pantalla la temperatura más alta a que se haya llegado.

- Para que se encienda esta característica, presione el botón táctil Temp Alarm (Alarma de temperatura) hasta que se encienda la luz indicadora. Para apagar esta característica, presione y sostenga Temp Alarm durante 3 segundos, hasta que se apague la luz indicadora.

Alarma de temperatura: Sonará repetidamente una alarma si la temperatura del compartimiento del congelador o del refrigerador excede las temperaturas de funcionamiento normales durante una hora o más.

Las pantallas de temperatura mostrarán en forma alternada las temperaturas corrientes y las temperaturas más altas que hayan alcanzado los compartimientos.

- Presione el botón táctil Temp Alarm una vez para detener la alarma audible y las pantallas alternadas de temperatura. La luz de Temp Alarm continuará destellando hasta que el refrigerador vuelva a la temperatura fijada.



Door Alarm (Alarma de la puerta)

La característica de Door Alarm (Alarma de la puerta) hace sonar una señal cada pocos segundos cuando la puerta del refrigerador ha quedado abierta durante 5 minutos seguidos. La señal sonará hasta que se cierre la puerta o se apague la alarma de la puerta.

- Presione el botón táctil de Door Alarm para encender o apagar esta característica. La luz indicadora se encenderá cuando esté encendida la característica Door Alarm.



Max Cool (Frío máximo)

La función de frío máximo ayuda en los períodos de alto uso del refrigerador, cargas completas de comestibles o temperaturas ambientales temporalmente calientes.

- Presione el botón táctil de Max Cool (Frío máximo) para fijar el congelador y el refrigerador en los ajustes de temperatura más bajos. Presione nuevamente el botón táctil Max Cool para volver al punto fijo normal del refrigerador.

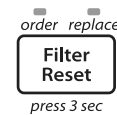
NOTA: La característica Max Cool se apagará automáticamente en aproximadamente 12 horas.



Filter Reset (Reposición del filtro)

El control de reposición del filtro le permite volver a iniciar la característica de control de estado del filtro de agua cada vez que usted reemplace el filtro de agua. Vea "Sistema de filtración de agua".

- Presione y sostenga el botón táctil de Filter Reset (Reposición del filtro) durante 3 segundos, hasta que se apague la luz de Order (Pedir) o Replace (Reemplazar).



Preferencias del usuario

El centro de control le permite fijar sus preferencias, si usted lo desea.

Pantalla de temperatura (F_C)

Con esta preferencia, usted puede cambiar la pantalla de la temperatura.

F - Temperatura en grados Fahrenheit

C - Temperatura en grados centígrados

Alarma (AL)

Con esta preferencia, usted puede apagar el sonido de todas las alarmas.

ON (Encendido) - Usted escuchará el sonido de la alarma.

OFF (Apagado) - Usted no escuchará el sonido de la alarma.

Para obtener acceso al menú de preferencias del usuario:

1. Presione y sostenga el botón táctil de Door Alarm (Alarma de la puerta) durante 3 segundos. El nombre de preferencia aparecerá en la pantalla del congelador y el estado de preferencia (F o C) u (ON - Encendido u OFF - Apagado) aparecerán en la pantalla del refrigerador.
2. Use los botones táctiles (+) o (-) del congelador para hacer avanzar los nombres de las preferencias. Cuando aparezca en la pantalla el nombre de preferencia deseado, presione los botones (+) o (-) del refrigerador, para cambiar el estado de preferencia.
3. Fije sus preferencias presionando y sosteniendo el botón de Door Alarm (Alarma de la puerta) durante 3 segundos, o cerrando la puerta del compartimiento del refrigerador.

Fábrica de hielo

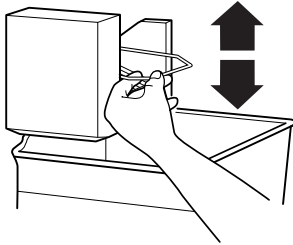
IMPORTANTE: Enjuague el sistema de agua antes de encender la fábrica de hielo. Vea “Despachador de agua”.

Para encender y apagar la fábrica de hielo

Para ENCENDER la fábrica de hielo, sencillamente baje el brazo de control de alambre.

Para APAGAR la fábrica de hielo manualmente, levante el brazo de control de alambre a la posición de OFF (Apagado - brazo elevado) y escuche el chasquido.

NOTA: La fábrica de hielo tiene un apagado automático. A medida que se produce el hielo, los cubitos de hielo llenarán el depósito para hielo y éstos levantarán el brazo de control de alambre a la posición de OFF (Apagado - brazo elevado). No fuerce el brazo de control de alambre hacia arriba o hacia abajo.



NOTA: Apague la fábrica de hielo antes de quitar el depósito de hielo para limpiarlo o para servir hielo. Esto evitará que los cubos de hielo se caigan y salgan de la fábrica de hielo hacia el compartimiento del congelador. Encienda la fábrica de hielo después de volver a colocar el depósito de hielo.

Ritmo de producción de hielo

- La fábrica de hielo debe producir un lote completo de hielo aproximadamente cada 3 horas.
- Para aumentar la producción de hielo, baje la temperatura del congelador y del refrigerador. Vea “Uso de los controles”. Deje pasar 24 horas entre cada ajuste.

Recuerde

- Deje transcurrir 24 horas para la producción del primer lote de hielo. Deje transcurrir 3 días para que se llene completamente el depósito de hielo. Deshágase de los tres primeros lotes de hielo producidos.
- La calidad del hielo dependerá de la calidad del agua que suministre a su fábrica de hielo. Evite la conexión de la fábrica de hielo a un suministro de agua blanda. Los químicos para ablandar el agua (como la sal) pueden dañar ciertos componentes de la fábrica de hielo y producir un hielo de muy baja calidad. Si no se puede evitar el uso de un suministro de agua blanda, asegúrese de que el ablandador de agua esté funcionando correctamente y que goce de un buen mantenimiento.
- No guarde nada encima de la fábrica de hielo ni en el depósito de hielo.

Despachador de agua

IMPORTANTE:

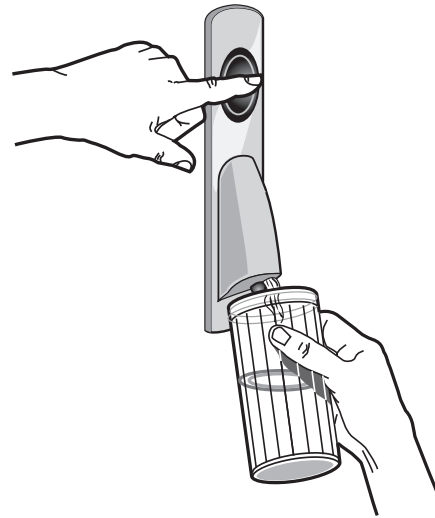
- Después de haber conectado el refrigerador a un suministro de agua o de haber reemplazado el filtro de agua, enjuague el sistema de agua. Use un recipiente resistente para oprimir y sostener la barra del despachador por 5 segundos, luego suéltela por 5 segundos. Repita hasta que el agua comience a correr. Una vez que el agua haya comenzado a correr, continúe presionando y soltando la barra del despachador (5 segundos activado, 5 segundos desactivado) hasta despachar un total de 4 gal. (15 L). Esto eliminará el aire en el filtro y en el sistema de despachado de agua y preparará el filtro de agua para ser usado. En algunas casas se podrá requerir enjuague adicional. A medida que sale aire del sistema, es posible que salgan chorros de agua repentinos del despachador.

NOTA: Después de 5 minutos de despacho continuo, el despachador se detendrá para evitar derrames. Para seguir despachando, presione nuevamente el botón del despachador.

- Deje que pasen 24 horas para que el refrigerador se enfríe y pueda enfriar el agua. Haga salir suficiente agua cada semana para mantener un suministro fresco.

Cómo despachar agua

1. Sostenga un recipiente por debajo del despachador mientras presiona el botón.
2. Suelte el botón para dejar de despachar.



Sistema de filtración de agua

El filtro de agua está ubicado en la esquina superior derecha del compartimiento del refrigerador.

No use con agua que no sea microbiológicamente segura o que sea de calidad desconocida sin desinfectarla adecuadamente antes o después del sistema. Pueden usarse sistemas certificados para la reducción de quistes en aguas desinfectadas que puedan contener quistes filtrables.

IMPORTANTE: El filtro de agua desechable deberá reemplazarse por lo menos cada 6 meses. Si el flujo de agua hacia el despachador de agua o a la fábrica de hielo disminuye sensiblemente antes de que pasen 6 meses, cambie el filtro más seguido.

Reemplazo del filtro de agua

Para comprar filtros de agua de reemplazo, modelo UKF8001AXX-750 o UKF8001AXX-200, póngase en contacto con su distribuidor o llame al **1-800-253-1301** en EE.UU. o al **1-800-807-6777** en Canadá.

IMPORTANTE: El aire que quede atrapado en el sistema de agua puede hacer que se salga agua y el filtro. Siempre despache agua por un mínimo de 2 minutos antes de quitar el filtro o la tapa azul de paso.

1. Gire el filtro en el sentido contrario a las manecillas del reloj para sacarlo.
2. Saque la etiqueta de sellado del filtro de reemplazo e inserte el extremo del filtro dentro de la cabeza del filtro.
3. Gire el filtro hacia la derecha hasta que se detenga. Encaje la cubierta del filtro en su lugar y ciérrela.
4. Enjuague el sistema de agua. Vea “Despachador(es) de agua y hielo”.

NOTA: La característica del despachador se puede usar sin tener un filtro de agua instalado. El agua no estará filtrada. Si se elige esta opción, reemplace el filtro con la tapa azul de paso.

CUIDADO DE SU REFRIGERADOR

Limpieza

ADVERTENCIA



Peligro de Explosión

Use un limpiador no inflamable.

No seguir esta instrucción puede ocasionar la muerte, explosión o incendio.

Tanto la sección del refrigerador como la del congelador se descongelan automáticamente. No obstante, limpie ambas secciones más o menos una vez al mes para evitar la acumulación de olores. Limpie los derrames de inmediato.

IMPORTANTE:

- Debido a que el aire circula entre ambas secciones, los olores que se formen en una sección pasarán a la otra. Para eliminar los olores, limpie completamente ambas secciones. Para evitar la transferencia de olores y la deshidratación de los alimentos, envuelva o tape bien los alimentos.

- Para los modelos de acero inoxidable, el acero inoxidable es resistente a la corrosión y no a prueba de corrosión. Para ayudar a evitar la corrosión del acero inoxidable, mantenga las superficies limpias, siguiendo las instrucciones de limpieza a continuación.

Para limpiar su refrigerador:

NOTA: No use productos de limpieza abrasivos o ásperos, como aerosoles para ventanas, productos de limpieza para fregar, líquidos inflamables, ácido muriático, ceras para limpieza, detergentes concentrados, blanqueadores o productos de limpieza que contengan productos derivados del petróleo en las superficies exteriores (puertas y carcasa), las partes de plástico, en el interior y en los revestimientos o juntas de las puertas. No use toallas de papel, estropajos para fregar u otros utensilios de limpieza ásperos.

1. Desenchufe el refrigerador o desconecte el suministro de energía.
2. Lave a mano, enjuague y seque todas las partes desmontables y las superficies interiores meticulosamente. Use una esponja limpia o un paño liso y un detergente suave en agua tibia.
3. Limpie las superficies exteriores.

Metal pintado: Limpie el exterior de metal pintado con un paño limpio y liso, o una esponja y un detergente suave en agua tibia. Enjuague las superficies con agua tibia limpia y séquelas inmediatamente para evitar las manchas de agua.

Acero inoxidable: Lave las superficies de acero inoxidable con un paño limpio y liso o una esponja y un detergente suave en agua tibia. Enjuague las superficies con agua tibia limpia y séquelas inmediatamente para evitar las manchas de agua.

NOTA: Cuando limpie el acero inoxidable, siempre talle en la dirección del hilo para evitar rayar a través del hilo.

4. No es necesaria una limpieza rutinaria del condensador en ambientes de funcionamiento normal en el hogar. Si el ambiente es particularmente grasoso o polvoriento, o si hay bastante tránsito de mascotas en el hogar, el condensador deberá limpiarse cada dos o tres meses para asegurar la máxima eficiencia.

Si necesita limpiar el condensador:

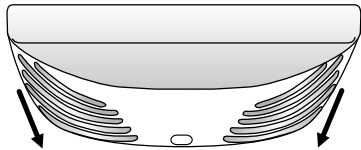
- Quite la rejilla de la base.
 - Use una aspiradora con un cepillo suave para limpiar la rejilla, las áreas abiertas detrás de la rejilla y el área de la superficie frontal del condensador.
 - Vuelva a colocar la rejilla de la base cuando termine.
5. Enchufe el refrigerador o reconecte el suministro de energía.

Cómo cambiar el foco

IMPORTANTE: Los focos en los compartimientos del refrigerador y del congelador de su nuevo refrigerador cuentan con tecnología LED. Si las luces no se encienden cuando se abre la puerta del refrigerador y/o congelador, llame para solicitar ayuda o servicio técnico. Consulte la garantía para conocer los números de teléfono.

1. Desenchufe el refrigerador o desconecte el suministro de energía.
2. Quite la pantalla de la luz (en algunos modelos).

- Parte superior del compartimiento del refrigerador - Deslice la pantalla de la luz hacia la parte posterior del compartimiento para liberarla del ensamblaje de luz.



3. Reemplace el (los) foco(s) LED quemado(s) con un foco (focos) del mismo tamaño, forma y vataje.
 - Para reemplazar el foco LED quemado con un foco LED, pida la pieza número W10565137 (3,6 W).

NOTA: Algunos focos LED de repuesto no se recomiendan para ambientes húmedos/mojados. Los compartimientos del refrigerador y del congelador se consideran ambientes húmedos/mojados. Si emplea una marca de focos LED, diferente de los focos recomendados, antes de instalarlo, lea y siga las instrucciones en el empaque del LED.
 - Si se emplea un foco incandescente para reemplazar un foco LED, use solamente los focos incandescentes para aparatos domésticos con un máximo de 40 vatios.
4. Vuelva a colocar la pantalla de luz.
5. Enchufe el refrigerador o reconecte el suministro de energía.

Cuidado durante las vacaciones y mudanzas

Vacaciones

Si Ud. decide dejar el refrigerador funcionando mientras está ausente:

1. Use todos los artículos perecederos y congele el resto.
2. Si su refrigerador tiene una fábrica de hielo automática y está conectado al suministro de agua de la casa, cierre el suministro de agua al refrigerador. Si no se cierra el suministro de agua, pueden ocurrir daños a la propiedad.
3. Si usted tiene una fábrica de hielo automática, apáguela.

NOTA: Según el modelo, levante el brazo de control de alambre a la posición de OFF (Apagado - hacia arriba), o presione el interruptor hacia OFF (Apagado).
4. Vacíe el depósito de hielo.

Si Ud. decide apagar el refrigerador antes de irse:

1. Saque toda la comida del refrigerador.
2. Si su refrigerador tiene fábrica de hielo automática:
 - Cierre el suministro de agua a la fábrica de hielo por lo menos un día antes.
 - Cuando el último lote de hielo caiga, levante el brazo de control de alambre a la posición OFF (Apagado - hacia arriba) o mueva el interruptor a la posición OFF (Apagado), dependiendo del modelo.
3. Vacíe el depósito de hielo.
4. Apague el (los) control(es) de temperatura. Vea "Uso del (de los) control(es)".
5. Limpie el refrigerador, pásele un paño y séquelo bien.
6. Fije bloques de goma o de madera con cinta adhesiva a la parte superior de ambas puertas para que queden abiertas y el aire circule. Esto evita que se formen olores y que crezcan hongos.

Mudanza

Si Ud. muda su refrigerador a una casa nueva, siga los pasos a continuación para prepararse para la mudanza.

1. Si su refrigerador tiene fábrica de hielo automática:
 - Cierre el suministro de agua a la fábrica de hielo por lo menos un día antes.
 - Desconecte la tubería de agua que está atrás del refrigerador.
 - Cuando el último lote de hielo caiga, levante el brazo de control de alambre a la posición OFF (Apagado - hacia arriba) o mueva el interruptor a la posición OFF (Apagado), dependiendo del modelo.
2. Saque toda la comida del refrigerador y empaque todos los alimentos congelados en hielo seco.
3. Vacíe el depósito de hielo.
4. Apague el (los) control(es) de temperatura. Vea "Uso del (de los) control(es)".
5. Desenchufe el refrigerador.
6. Limpie, pásele un paño y seque bien.
7. Saque todas las partes desmontables, envuélvalas bien y asegúrelas con cinta adhesiva para que no se muevan ni se sacudan durante la mudanza.
8. Según el modelo, levante la parte delantera del refrigerador para que ruede con facilidad O BIEN, levante los tornillos niveladores para no rayar el piso. Vea "Ajuste la(s) puerta(s)" o "Cierre y alineamiento de las puertas".
9. Sostenga las puertas cerradas y el cable pegado a la parte posterior del refrigerador con cinta adhesiva.

Cuando llegue a la casa nueva, ponga todo de nuevo en su lugar y lea la sección "Instrucciones de instalación" para obtener instrucciones de preparación. Además, si su refrigerador tiene una fábrica de hielo automática, recuerde volver a conectar el suministro de agua al refrigerador.

SOLUCIÓN DE PROBLEMAS

Pruebe primero las soluciones sugeridas aquí. Si necesita asistencia adicional o más recomendaciones, para evitar posiblemente el costo de una visita de servicio técnico, consulte la página de la garantía de este manual y escanee el código con su dispositivo móvil o visite www.whirlpool.com/product_help.

Contáctenos por correo electrónico con sus preguntas o dudas a la dirección que aparece a continuación:

En los EE.UU.:

Whirlpool Brand Home Appliances
Customer eXperience Center
553 Benson Road
Benton Harbor, MI 49022-2692

En Canadá:

Whirlpool Brand Home Appliances
Customer eXperience Centre
200 – 6750 Century Ave.
Mississauga, Ontario L5N 0B7

Por favor incluya en su correspondencia un número de teléfono en el que se le pueda localizar durante el día.

Funcionamiento del refrigerador

El refrigerador no funciona

ADVERTENCIA

Peligro de Choque Eléctrico

Conecte a un contacto de pared de conexión a tierra de 3 terminales.

No quite la terminal de conexión a tierra.

No use un adaptador.

No use un cable eléctrico de extensión.

No seguir estas instrucciones puede ocasionar la muerte, incendio o choque eléctrico.

- **¿Está desenchufado el cable eléctrico?** Conecte a un contacto de pared de conexión a tierra de 3 terminales.
- **¿Funciona el contacto?** Enchufe una lámpara para ver si funciona el contacto.
- **¿Hay un fusible de la casa fundido o se disparó el cortacircuitos?** Reemplace el fusible o reposicione el cortacircuitos. Si el problema continúa, llame a un electricista.
- **¿Están encendidos los controles?** Asegúrese de que los controles del refrigerador estén encendidos. Vea "Uso del (de los) control(es)".
- **¿Es nueva la instalación?** Deje transcurrir 24 horas después de la instalación para que el refrigerador se enfríe por completo.
NOTA: El ajustar los controles de temperatura en la posición más fría no enfría ningún compartimiento más rápido.

Parece que el motor funciona excesivamente

Es posible que su nuevo refrigerador funcione por períodos más largos que su refrigerador anterior debido al compresor y los ventiladores de alto rendimiento. Es posible que la unidad funcione por más tiempo si la habitación está caliente, si se ha agregado una gran cantidad de alimentos, si se abren las puertas con frecuencia o si se han dejado las mismas abiertas.

Parece que el refrigerador es ruidoso

El ruido del refrigerador se ha ido reduciendo a lo largo de los años. Debido a esta reducción, es posible que escuche ruidos intermitentes en su nuevo refrigerador que no había notado en el modelo viejo. A continuación se enumeran algunos sonidos normales con explicaciones.

- **Zumbido** - se escucha cuando la válvula de agua se abre para llenar la fábrica de hielo
- **Sonido pulsante** - los ventiladores/el compresor se están ajustando para obtener el máximo desempeño
- **Sonido sibilante/vibraciones** - flujo de líquido refrigerante, movimiento de la tubería de agua o artículos guardados arriba del refrigerador
- **Chisporroteos/Gorgoteos** - agua goteando en el calentador durante el ciclo de descongelación
- **Estallido** - contracción/expansión de las paredes interiores, especialmente durante el enfriamiento inicial
- **Agua corriendo** - puede escucharse cuando el hielo se derrite durante el ciclo de descongelación y el agua corre hacia la bandeja recolectora
- **Chirridos/Crujidos** - esto ocurre cuando el hielo es expulsado del molde de la fábrica de hielo.

Las puertas no cierran completamente

- **¿Está bloqueada la puerta?** Mueva los paquetes de alimentos lejos de la puerta.
- **¿Hay un recipiente o un estante bloqueando el paso?** Empuje el recipiente o el estante nuevamente a la posición correcta.

Es difícil abrir las puertas

ADVERTENCIA



Peligro de Explosión

Use un limpiador no inflamable.

No seguir esta instrucción puede ocasionar la muerte, explosión o incendio.

- **¿Están las juntas sucias o pegajosas?** Limpie las juntas y las superficies de contacto con jabón suave y agua tibia. Enjuague y seque con un paño suave.

Temperatura y humedad

La temperatura está demasiado caliente

- **¿Es nueva la instalación?** Deje transcurrir 24 horas después de la instalación para que el refrigerador se enfríe por completo.
- **¿Se abre(n) o se deja(n) abierta(s) la(s) puerta(s) a menudo?** Esto hace que entre aire tibio al refrigerador. Reduzca al mínimo el número de veces que abre la puerta y mantenga las puertas completamente cerradas.
- **¿Se ha agregado una gran cantidad de alimentos?** Deje que transcurran varias horas para que el refrigerador vuelva a la temperatura normal.
- **¿Se han ajustado los controles correctamente de acuerdo con las condiciones circundantes?** Ajuste los controles a un ajuste más frío. Verifique la temperatura en 24 horas. Vea “Uso del (de los) control(es)”.

Hay acumulación de humedad en el interior

NOTA: Es normal que se acumule un poco de humedad.

- **¿Está húmeda la habitación?** Esto contribuye a la acumulación de humedad.
- **¿Se abre(n) o se deja(n) abierta(s) la(s) puerta(s) a menudo?** Esto hace que entre aire húmedo al refrigerador. Reduzca al mínimo el número de veces que abre la puerta y mantenga las puertas completamente cerradas.

Hielo y agua

La fábrica de hielo no produce hielo o no produce suficiente hielo

- **¿Se ha conectado el refrigerador a un suministro de agua y se ha abierto la válvula de cierre?** Conecte el refrigerador al suministro de agua y abra completamente la válvula de cierre.
- **¿Hay un estrechamiento en la tubería de suministro de agua?** Un estrechamiento en la tubería puede reducir el flujo de agua. Enderece la tubería de suministro de agua.
- **¿Está encendida la fábrica de hielo?** Asegúrese de que el brazo de cierre de alambre o el interruptor (dependiendo del modelo) esté en la posición de ON (Encendido).

- **¿Es nueva la instalación?** Espere 24 horas después de la instalación de la fábrica de hielo para que empiece a producir hielo. Deje transcurrir 72 horas para la producción total de hielo.
- **¿Está completamente cerrada la puerta del congelador?** Cierre con firmeza la puerta del compartimiento del congelador. Si la puerta del compartimiento del congelador no se cierra completamente, vea “Las puertas no cierran completamente”, anteriormente en esta sección.
- **¿Se acaba de sacar una gran cantidad de hielo?** Deje transcurrir 24 horas para que la fábrica de hielo produzca más hielo.
- **¿Se trabó un cubo de hielo en el brazo eyector de la fábrica de hielo?** Saque el hielo del brazo eyector con un utensilio de plástico.
- **¿Tiene un filtro de agua instalado en el refrigerador?** Saque el filtro y ponga a funcionar la fábrica de hielo. Si el volumen de hielo aumenta, el filtro puede estar obstruido o haberse instalado incorrectamente. Reemplace el filtro o vuelva a instalarlo correctamente.
- **¿Se ha conectado un sistema de filtración de agua de ósmosis inversa al suministro de agua fría?** Esto puede hacer que disminuya la presión de agua. Vea “Requisitos del suministro de agua”.

Los cubos de hielo son huecos o pequeños

NOTA: Esto es una indicación de baja presión de agua.

- **¿No está abierta por completo la válvula de cierre de agua?** Abra completamente la válvula de cierre de agua.
- **¿Hay un estrechamiento en la tubería de suministro de agua?** Un estrechamiento en la tubería puede reducir el flujo de agua. Enderece la tubería de suministro de agua.
- **¿Tiene un filtro de agua instalado en el refrigerador?** Saque el filtro y ponga a funcionar la fábrica de hielo. Si mejora la calidad de hielo, el filtro puede estar obstruido o haberse instalado incorrectamente. Reemplace el filtro o vuelva a instalarlo correctamente.
- **¿Se ha conectado un sistema de filtración de agua de ósmosis inversa al suministro de agua fría?** Esto puede hacer que disminuya la presión de agua. Vea “Requisitos del suministro de agua”.
- **¿Aún tiene preguntas acerca de la presión de agua?** Llame a un plomero competente autorizado.

El hielo tiene mal sabor, mal olor o un color grisáceo

- **¿Son nuevas las conexiones de plomería?** Las conexiones nuevas de plomería pueden producir un hielo descolorido o de mal sabor.
- **¿Se han guardado los cubos de hielo por mucho tiempo?** Deseche ese hielo. Lave el recipiente de hielo. Deje transcurrir 24 horas para que la fábrica de hielo haga hielo nuevo.
- **¿Ha habido una transferencia de olor de los alimentos?** Use empaques herméticos contra humedad para almacenar comida.
- **¿Contiene el agua minerales (como el azufre)?** Podría ser necesario instalar un filtro de agua para eliminar los minerales.
- **¿Tiene un filtro de agua instalado en el refrigerador?** Un oscurecimiento o un color gris del hielo indica que el sistema de filtración de agua necesita enjuagarse más. Enjuague el sistema de agua antes de usar un nuevo filtro. Reemplace el filtro de agua cuando se indique. Vea “Sistema de filtración de agua”.

El despachador de agua no funciona debidamente

- **¿Se ha conectado el refrigerador a un suministro de agua y se ha abierto la válvula de cierre?** Conecte el refrigerador al suministro de agua y abra completamente la válvula de cierre.
- **¿Hay un estrechamiento en la tubería de suministro de agua?** Enderece la tubería de suministro de agua.
- **¿Es nueva la instalación?** Enjuague y llene el sistema de agua. Vea “Despachador de agua”.
- **¿Está la presión de agua a por lo menos 35 lbs/pulg² (241 kPa)?** La presión de agua de la casa determina el flujo del despachador. Vea “Requisitos del suministro de agua”.
- **¿Tiene un filtro de agua instalado en el refrigerador?** Saque el filtro y ponga a funcionar el despachador. Si aumenta el flujo de agua, el filtro puede estar obstruido o haberse instalado incorrectamente. Reemplace el filtro o vuelva a instalarlo correctamente.
- **¿Está completamente cerrada la puerta del refrigerador?** Cierre la puerta con firmeza. Si no se cierra completamente, vea “Las puertas no cierran completamente”, anteriormente en esta sección.
- **¿Se han quitado las puertas recientemente?** Asegúrese de que el conjunto de tubería/alambre del despachador de agua se haya vuelto a conectar correctamente. Vea “Puerta(s) y cajón del refrigerador”.
- **¿Se ha conectado un sistema de filtración de agua de ósmosis inversa al suministro de agua fría?** Esto puede hacer que disminuya la presión de agua. Vea “Requisitos del suministro de agua”.

El agua gotea del sistema del despachador

NOTA: Es normal que caigan una o dos gotas de agua después de despachar agua.

- **¿No se ha puesto el vaso debajo del despachador el tiempo suficiente?** Sostenga el vaso debajo del despachador de 2 a 3 segundos después de soltar la palanca del despachador.
- **¿Es nueva la instalación?** Enjuague el sistema de agua. Vea “Despachador de agua”.
- **¿Ha cambiado recientemente el filtro de agua?** Enjuague el sistema de agua. Vea “Despachador de agua”.
- **¿Hay agua en el piso cerca de la rejilla de la base?** Asegúrese de que las conexiones de la tubería del despachador de agua estén bien ajustadas. Vea “Puerta(s) y cajón del refrigerador”.

El agua del despachador está tibia

NOTA: El agua del despachador se enfría solamente a 50°F (10°C).

- **¿Es nueva la instalación?** Deje transcurrir 24 horas después de la instalación para que el suministro de agua se enfríe completamente.
- **¿Se ha despachado recientemente una gran cantidad de agua?** Deje transcurrir 24 horas para que el suministro de agua se enfríe completamente.
- **¿No se ha usado el despachador de agua recientemente?** Puede ser que el primer vaso de agua no esté frío. Descarte el agua del primer vaso.
- **¿Se ha conectado el refrigerador a una tubería de agua fría?** Asegúrese de que el refrigerador esté conectado a una tubería de agua fría. Vea “Requisitos del suministro de agua”.

HOJA DE DATOS DEL RENDIMIENTO

Sistema interno de filtración de agua Modelo UKF8001AXX-750 Capacidad 750 galones (2839 litros)



Sistema probado y certificado por NSF International según las normas NSF/ANSI Estándar 42, 53, 401 y CSA B483.1 para la reducción de contaminantes especificados en la Hoja de datos de rendimiento.

Este sistema ha sido probado según las normas NSF/ANSI 42, 53, 401 y CSA B483.1 para la reducción de las sustancias citadas a continuación. La concentración de las sustancias indicadas en agua que entra al sistema fue reducida a una concentración menor o igual al límite permitido para agua que sale del sistema, como se especifica en las normas NSF/ANSI 42, 53, 401 y CSA B483.1.

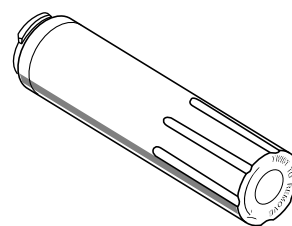
Reducción de sustancias Efectos estéticos	Requisitos de reducción de NSF	Promedio influente	Concentración en el agua a tratar	Máximo efluente	Promedio efluente	% mínimo de reducción	% promedio de reducción
Cloro, sabor/olor Clase de partículas I*	50% reducción 85% reducción	2,00 mg/L 14.000.000 #/mL	2,0 mg/L ± 10% Por lo menos 10.000 partículas/mL	0,06 mg/L 370.000 #/mL**	0,050625 mg/L 196.666 #/mL	97,00% 97,40%	97,52% 99,00%
Reducción de contaminantes	Requisitos de reducción de NSF	Promedio influente	Concentración en el agua a tratar	Máximo efluente	Promedio efluente	% mínimo de reducción	% promedio de reducción
Plomo: a pH 6,5 Plomo: a pH 8,5	0,010 mg/L 0,010 mg/L	0,150 mg/L [†] 0,150 mg/L [†]	0,15 mg/L ± 10% 0,15 mg/L ± 10%	< 0,001 mg/L < 0,001 mg/L	< 0,001 mg/L < 0,001 mg/L	>99,30% >99,30%	>99,30% >99,30%
Mercurio: a pH 6,5 Mercurio: a pH 8,5	0,002 mg/L 0,002 mg/L	0,006 mg/L 0,0059 mg/L	0,006 mg/L ± 10% 0,006 mg/L ± 10%	0,0005 mg/L 0,0018 mg/L	0,0003 mg/L 0,00073 mg/L	91,70% 69,20%	95,00% 88,10%
Benceno	0,005 mg/L	0,0133 mg/L	0,015 mg/L ± 10%	0,0005 mg/L	0,0005 mg/L	96,10%	96,30%
Paradiclorobenceno	0,075 mg/L	0,210 mg/L	0,225 mg/L ± 10%	< 0,0005 mg/L	< 0,0005 mg/L	>99,80%	>99,80%
Carbofurano	0,040 mg/L	0,0753 mg/L	0,08 mg/L ± 10%	0,027 mg/L	0,008 mg/L	64,60%	73,45%
Toxafeno	0,003 mg/L	0,015 mg/L	0,015 ± 10%	< 0,001 mg/L	< 0,001 mg/L	>93,3%	>93,3%
Atrazina	0,003 mg/L	0,0102 mg/L	0,009 mg/L ± 10%	0,0027 mg/L	0,00105 mg/L	76,30%	89,40%
Asbestos	>99%	126,5 MF/L	10 ⁷ a 10 ⁸ fibras/L ^{††}	<0,17 MF/L	<0,17 MF/L	>99,99%	>99,99%
Quistes vivos [‡] Turbidez	>99,95% 0,5 NTU	122.500 #/L 10,5 NTU	50.000/L mín. 11 ± 1 NTU	<1 #/L [‡] 0,30 NTU	<1 #/L [‡] 0,125 NTU	>99,99% 97,30%	>99,99% 98,80%
Lindano	0,0002 mg/L	0,0019 mg/L	0,002 ± 10%	< 0,00016 mg/L	0,000035 mg/L	91,80%	97,90%
Tetracloroetileno	0,005 mg/L	0,015 mg/L	0,015 mg/L ± 10%	< 0,0005 mg/L	< 0,0005 mg/L	>96,6%	>96,6%

Parámetros de la prueba: pH = 7,5 ± 0,5 si no se indica lo contrario. Flujo = 0,78 gpm (2,9 Lpm). Presión = 60 lbs/pulg² (413,7 kPa). Temp. = 68°F ± 5°F (20°C ± 3°C).

- Es esencial que los requerimientos de operación, mantenimiento y reemplazo del filtro se lleven a cabo para que el producto se desempeñe tal como se ofrece en la publicidad.
- El filtro de agua desechable deberá reemplazarse por lo menos cada 6 meses.
- El sistema monitor del filtro mide la cantidad de agua que pasa a través del filtro y lo pone en alerta para reemplazar el filtro. Cuando se ha usado el 90% de la duración nominal del filtro, se encenderá la luz amarilla (Order - Pedir). Cuando se ha usado el 100% de la duración nominal del filtro, se encenderá la luz roja (Replace - Reemplazar) y se le recomienda reemplazar el filtro. Para los modelos sin luces de estado del filtro, reemplace el filtro cada 6 meses. Use el modelo de filtro de repuesto UKF8001. Precio sugerido de venta al por menor en el 2015 de \$44,99 en EE.UU./\$49,95 en Canadá. Los precios están sujetos a cambio sin previo aviso.
- El producto es para uso con agua fría únicamente.
- No use con agua que no sea microbiológicamente segura o que sea de calidad desconocida sin desinfectarla adecuadamente antes o después del sistema. Pueden usarse sistemas certificados para la reducción de quistes en aguas desinfectadas que puedan contener quistes filtrables.
- Consulte la sección "Sistema de filtración de agua" para obtener el nombre y número telefónico del fabricante.
- Refiérase a la sección "Garantía" para verificar la garantía limitada del fabricante.

Pautas de aplicación/Parámetros para el suministro de agua

Suministro de agua	Municipal o de pozo potable
Presión de agua	35 - 120 lbs/pulg ² (241 - 827 kPa)
Temperatura de agua	33° - 100°F (1° - 38°C)
Tasa de flujo de servicio	0,78 gpm (2,9 L/min.) a 60 lbs/pulg ²



*Tamaño de las partículas clase I: >0,5 a <1 um

**El requisito de prueba es de cuando menos 100.000 partículas/ml de polvo fino de prueba AC.

†Estos contaminantes no se encuentran necesariamente en su suministro de agua. El rendimiento puede variar según las condiciones del agua local.

††Fibras mayores de 10 um de longitud.

‡Basado en la filtración de quistes de *Cryptosporidium parvum*.

Sistema de filtración de agua

Modelo UKF8001AXX-200/UKF8001 Capacidad de 200 galones (757 litros)



Sistema probado y certificado por NSF International según las normas NSF/ANSI Estándar 42, 53, 401 y CSA B483.1 para la reducción de contaminantes especificados en la Hoja de datos de rendimiento.

Este sistema ha sido probado según las normas NSF/ANSI 42, 53, 401 y CSA B483.1 para la reducción de las sustancias citadas a continuación. La concentración de las sustancias indicadas en agua que entra al sistema fue reducida a una concentración menor o igual al límite permitido para agua que sale del sistema, como se especifica en las normas NSF/ANSI 42, 53, 401 y CSA B483.1.

Reducción de sustancias Efectos estéticos	Concentración en el agua a tratar	Máximo permitido Concentración de producto en el agua	% promedio de reducción
Cloro, sabor/olor	2,0 mg/L ± 10%	50% reducción	97,6%
Clase de partículas I*	Por lo menos 10.000 partículas/mL	85% de reducción	98,8%
Reducción de contaminantes	Concentración en el agua a tratar	Máximo permitido Concentración de producto en el agua	% promedio de reducción
Plomo***: a pH 6,5/a pH 8,5	0,150 mg/L ±10%	0,010 mg/L	99,3%/99,3%
Mercurio: a pH 6,5/a pH 8,5	0,006 mg/L ±10%	0,002 mg/L	95,1%/95,0%
Asbesto	10 ⁶ a 10 ⁸ fibras/l ^{††}	>99%	>99%
Quistes†	50.000/L mín.	>99,95%	99,99%
Turbidez	11 NTU ±10%	0,5 NTU	98,1%
Atrazina	0,009 mg/L ± 10%	0,003 mg/L	94,4%
Benceno	0,015 mg/L ± 10%	0,005 mg/L	96,6%
Carbofurano	0,080 mg/L ± 10%	0,040 mg/L	86,8%
Lindano	0,002 mg/L ± 10%	0,0002 mg/L	98,8%
Paradichlorobenceno	0,225 mg/L ± 10%	0,075 mg/L	99,7%
Tetracloroetileno	0,015 mg/L ± 10%	0,005 mg/L	96,0%
Toxafeno	0,015 mg/L ± 10%	0,003 mg/L	93,8%
Atenolol	200 ±20%	30 ng/L	>95,9%
Endrina	0,006 mg/L ± 10%	0,002 mg/L	96,7%
Etilbenceno	2,1 mg/L ± 10%	0,7 mg/L	99,9%
O-diclorobenceno	1,8 mg/L ± 10%	0,6 mg/L	99,9%
2,4 - D	0,210 mg/L ± 10%	0,07 mg/L	97%
Carbamazepina	1400 ±20%	200 ng/L	>98,6%
DEET	1400 ±20%	200 ng/L	>98,5%
Linurón	140 ±20%	20 ng/L	>96,8%
Meprobamato	400 ±20%	60 ng/L	94,6%
Metolacor	1400 ±20%	200 ng/L	98,3%
Trimetoprima	140 ±20%	20 ng/L	>96,4%
Bisfenol A	2000 ±20%	300 ng/L	99,4%
Estrona	140 ±20%	20 ng/L	>96,7%
Nonilfenol	1400 ±20%	200 ng/L	>98,9%
Ibuprofeno	400 ±20%	60 ng/L	92,9%
Naproxeno	140 ±20%	20 ng/L	>96,3%
Fenitoína	200 ±20%	30 ng/L	>94,8%

Parámetros de la prueba: pH = 7,5 ±0,5, a menos que se indique otra cosa. Flujo= 0,78 gpm (2,95 Lpm). Presión = 60 lb/pulg.² (413,7 kPa). Temp. = 68 °F a 71,6 °F (20 °C a 22 °C). Capacidad de servicio nominal = 300 galones (1135 litros).

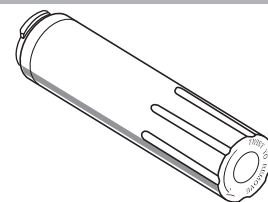
Los compuestos certificados bajo NSF 401 se consideran como "compuestos emergentes/contaminantes incidentales". Los compuestos emergentes/contaminantes incidentales son aquellos compuestos que se detectaron en suministros de agua potable en niveles de traza. Aunque se presenten solo en niveles de traza, estos compuestos pueden afectar la aceptación/percepción del público de la calidad del agua potable.

- Es importante que los requerimientos de operación, mantenimiento y reemplazo del filtro se lleven a cabo para que el producto se desempeñe tal como se ofrece en la publicidad. Pueden ocurrir daños a la propiedad si no se siguen todas las instrucciones.
- El cartucho desechable deberá cambiarse al menos cada 6 meses.
- Use el filtro de reemplazo UKF8001, pieza n.º EDR4RXD1/EDR4RXD1B. El precio sugerido de venta al por menor durante el año 2015 es de \$49,99 en EE. UU./\$49,95 en Canadá. Los precios están sujetos a cambio sin previo aviso.
- El sistema monitor del filtro mide la cantidad de agua que pasa a través del filtro y lo alerta cuando llega el momento de reemplazar el filtro. Para información sobre cómo verificar el estado del filtro de agua, vea "Uso de los controles" o "Sistema de filtración de agua" en las Instrucciones para el usuario o la Guía para el usuario.
- Después de cambiar el filtro de agua, enjuague el sistema de agua. Vea "Dispensadores de agua y hielo" o "Dispensador de agua" en las Instrucciones para el usuario o la Guía para el usuario.
- Estos contaminantes no se encuentran necesariamente en su suministro de agua. Si bien se realizaron las pruebas bajo condiciones de laboratorio estándares, el desempeño actual puede variar.
- El producto es para uso con agua fría únicamente.
- El sistema de agua deberá instalarse conforme a las leyes y normas estatales y locales.

- No use con agua que no sea microbiológicamente segura o que sea de calidad desconocida sin desinfectarla adecuadamente antes o después del sistema. Pueden usarse sistemas certificados para la reducción de partículas en aguas desinfectadas que puedan contener partículas filtrables. EPA Est. n.º 10350-MN-005.
- Consulte la sección "Garantía" (en las Instrucciones para el usuario o la Guía para el usuario) para ver la garantía limitada, el nombre y el número de teléfono del fabricante.

Pautas de aplicación / Parámetros para el suministro de agua

Suministro de agua	Agua potable de ciudad o de pozo
Presión de agua	35 - 120 psi (241 - 827 kPa)
Temperatura de agua	33° - 100 °F (1° - 38 °C)
Tasa de flujo de servicio	0,78 gpm (2,95 l/min.) a 60 psi



*Tamaño de las partículas clase I: >0,5 a <1 um

***Conforme a los requisitos de reducción de plomo bajo la norma NSF/ANSI 53, según pruebas realizadas por Pace Analytical Services, Inc. (Servicios de análisis Pace Inc.)

†Basado en la filtración de quistes de *Cryptosporidium parvum*.

††Fibras mayores de 10 um de longitud.

© NSF es una marca registrada de NSF International.

GARANTÍA LIMITADA DEL REFRIGERADOR WHIRLPOOL®

ADJUNTE SU RECIBO AQUÍ. SE REQUIERE UN COMPROBANTE DE COMPRA PARA OBTENER SERVICIO BAJO LA GARANTÍA. Tenga a mano la siguiente información cuando llame al Centro para la eXperiencia del cliente:

- Nombre, dirección y número de teléfono
- Número de modelo y de serie
- Una descripción clara y detallada del problema
- Comprobante de compra incluido el nombre y la dirección del distribuidor o vendedor

SI NECESITA SERVICIO TÉCNICO:

1. Antes de contactarnos para obtener servicio, determine si el producto requiere reparación. Algunas consultas pueden atenderse sin servicio técnico. Tómese unos minutos para revisar la sección de Solución de problemas o Problemas y soluciones del Manual de uso y cuidado, escanee el código QR que se encuentra a la derecha para acceder a los recursos adicionales o visite www.whirlpool.com/product_help.



2. Todos los servicios bajo la garantía los brindan exclusivamente Prestadores autorizados de servicio de Whirlpool. Para EE. UU. y Canadá, dirija todas las solicitudes de servicio bajo la garantía a:

www.whirlpool.com/product_help

Centro para la eXperiencia del cliente de Whirlpool
En EE. UU., llame al 1-800-253-1301. En Canadá, llame al 1-800-807-6777.

Si se encuentra fuera de los cincuenta Estados Unidos o de Canadá, póngase en contacto con su distribuidor autorizado de Whirlpool para determinar si corresponde otra garantía.

GARANTÍA LIMITADA DE CINCO AÑOS

LO QUE ESTÁ CUBIERTO

GARANTÍA LIMITADA

Durante un año a partir de la fecha de compra, siempre y cuando este electrodoméstico principal se instale y reciba un uso y mantenimiento de conformidad con las instrucciones adjuntas o provistas con el producto, Whirlpool Corporation o Whirlpool Canada LP (en lo sucesivo denominado "Whirlpool"), se hará cargo del costo de las piezas de repuesto especificadas de fábrica y del trabajo de reparación para corregir defectos en los materiales o en la mano de obra existentes en el momento de la compra de este electrodoméstico principal o reemplazará, a su exclusivo criterio, el producto. En caso de reemplazo, el electrodoméstico estará bajo garantía por el tiempo restante del periodo de garantía de la unidad original.

GARANTÍA LIMITADA DEL SEGUNDO AL QUINTO AÑO PARA EL REVESTIMIENTO DE LA CAVIDAD Y EL SISTEMA DE REFRIGERACIÓN SELLADO

Del segundo al quinto año desde la fecha de compra original, siempre y cuando este electrodoméstico principal se instale y reciba un uso y mantenimiento de conformidad con las instrucciones adjuntas o provistas con el producto, la marca Whirlpool se hará cargo del costo de las piezas de repuesto especificadas de fábrica y del trabajo de reparación para los siguientes componentes, para corregir defectos no estéticos en los materiales y en la mano de obra que tenga esta pieza, los cuales impidan el funcionamiento del refrigerador, y que hayan existido en el momento de la compra de este electrodoméstico principal:

- Revestimiento de la cavidad del refrigerador/congelador si la pieza se agrietara debido a defectos de material o de mano de obra.
- Sistema de refrigeración sellado (incluye compresor, evaporador, condensador, secador y tubos conectores).

SU ÚNICO Y EXCLUSIVO RECURSO SEGÚN LOS TÉRMINOS DE ESTA GARANTÍA LIMITADA SERÁ EL DE REPARAR EL PRODUCTO SEGÚN SE ESTIPULA EN LA PRESENTE. El servicio deberá ser suministrado por una compañía de servicio designada por Whirlpool. Esta garantía limitada es válida solamente en Estados Unidos o en Canadá y se aplica solamente cuando el electrodoméstico principal se use en el país en el que se ha comprado. Esta garantía limitada entrará en vigor a partir de la fecha de la compra del consumidor original. Se requiere un comprobante de la fecha de compra original para obtener servicio bajo esta garantía limitada.

LO QUE NO ESTÁ CUBIERTO

1. Uso comercial, no residencial o familiar múltiple o uso diferente del indicado en las instrucciones del usuario, del operador o de instalación publicadas.
2. Instrucción a domicilio sobre cómo usar el producto.
3. Servicio para corregir el mantenimiento o la instalación incorrecta del producto, la instalación que no esté de acuerdo con los códigos eléctricos o de plomería o corrección de plomería o instalación eléctrica doméstica (por ejemplo, instalación eléctrica, fusibles o mangueras de entrada de agua del hogar).
4. Piezas de consumo (por ejemplo, focos de luz, baterías, filtros de agua o de aire, soluciones de conservación, etc.).
5. Defectos o daños causados por el uso de piezas o accesorios no legítimos de Whirlpool.
6. Conversión del producto de gas natural o gas L.P.
7. Daño causado por accidente, uso indebido, abuso, incendio, inundación, actos fortuitos o el empleo de productos no aprobados por Whirlpool.
8. Reparaciones a piezas o sistemas para corregir el daño o los defectos del producto a causa de reparaciones por servicio no autorizado, alteraciones o modificaciones en el electrodoméstico.
9. Daños estéticos, incluyendo rayaduras, abolladuras, desportilladuras u otro daño al acabado del electrodoméstico a menos que el mismo sea debido a defectos en los materiales o la mano de obra y se le informe a Whirlpool en un lapso de 30 días.
10. Decoloración, herrumbre u oxidación de las superficies producto de entornos corrosivos o cáusticos que incluyen, entre otras cosas, altas concentraciones de sal, humedad elevada o exposición a productos químicos.
11. Pérdida de comida o medicamentos debido a la falla del producto.
12. Recogida o entrega. Este producto está destinado para ser reparado en su hogar.
13. Gastos de viaje o de transporte para prestar servicio en lugares remotos en los cuales no haya disponible un técnico de servicio autorizado por Whirlpool.
14. Remoción o reinstalación de electrodomésticos en lugares inaccesibles o accesorios integrados (por ejemplo, adornos, paneles decorativos, pisos, armarios, islas, mostradores, paredes, etc.) que interfieran con el servicio, la remoción o el reemplazo del producto.
15. Servicio técnico o piezas para electrodomésticos con números de serie/modelo originales removidos, alterados o no identificados con facilidad.

El costo de la reparación o del reemplazo bajo estas circunstancias excluidas correrá por cuenta del cliente.

EXCLUSIÓN DE GARANTÍAS IMPLÍCITAS

LAS GARANTÍAS IMPLÍCITAS, INCLUYENDO CUALQUIER GARANTÍA IMPLÍCITA DE COMERCIABILIDAD O GARANTÍA IMPLÍCITA DE CAPACIDAD PARA UN PROPÓSITO PARTICULAR, SE LIMITAN A UN AÑO O AL PERÍODO MÁS CORTO PERMITIDO POR LEY. Algunos estados y provincias no permiten la limitación de la duración de las garantías implícitas de comerciabilidad o capacidad, de modo que la limitación arriba indicada quizá no le corresponda. Esta garantía le otorga derechos legales específicos y es posible que usted tenga también otros derechos que varían de un estado a otro o de una provincia a otra.

EXCLUSIÓN DE DECLARACIONES FUERA DE LA GARANTÍA

Whirlpool no hace declaraciones acerca de la calidad, durabilidad o necesidad de servicio técnico o reparación de este electrodoméstico principal aparte de las declaraciones incluidas en esta garantía. Si usted desea una garantía con una duración más prolongada o más completa que la garantía limitada que se incluye con este electrodoméstico principal, deberá dirigirse a Whirlpool o a su distribuidor acerca de la compra de una garantía extendida.

LIMITACIÓN DE RECURSOS; EXCLUSIÓN DE DAÑOS INCIDENTALES Y CONSECUENTES

SU ÚNICO Y EXCLUSIVO RECURSO SEGÚN LOS TÉRMINOS DE ESTA GARANTÍA LIMITADA SERÁ EL DE REPARAR EL PRODUCTO SEGÚN SE ESTIPULA EN LA PRESENTE. WHIRLPOOL NO SE RESPONSABILIZARÁ POR DAÑOS INCIDENTALES O CONSECUENTES. Algunos estados y provincias no permiten la exclusión o limitación de daños incidentales o consecuentes, de modo que estas limitaciones y exclusiones quizás no le correspondan. Esta garantía le otorga derechos legales específicos y es posible que usted tenga también otros derechos que varían de un estado a otro o de una provincia a otra.



INSTRUCTIONS D'UTILISATION DU RÉFRIGÉRATEUR

Nous vous REMERCIONS d'avoir acheté ce produit de haute qualité. Enregistrer votre nouveau réfrigérateur sur le site internet www.whirlpool.ca.

Pour référence ultérieure, consigner par écrit les numéros de modèle et de série de votre produit. Ceux-ci sont situés sur la paroi interne du compartiment de réfrigération.

Numéro de modèle _____ Numéro de série _____

SÉCURITÉ DU RÉFRIGÉRATEUR

Votre sécurité et celle des autres est très importante.

Nous donnons de nombreux messages de sécurité importants dans ce manuel et sur votre appareil ménager. Assurez-vous de toujours lire tous les messages de sécurité et de vous y conformer.



Voici le symbole d'alerte de sécurité.

Ce symbole d'alerte de sécurité vous signale les dangers potentiels de décès et de blessures graves à vous et à d'autres.

Tous les messages de sécurité suivront le symbole d'alerte de sécurité et le mot "DANGER" ou "AVERTISSEMENT". Ces mots signifient :

⚠ DANGER

Risque possible de décès ou de blessure grave si vous ne suivez pas immédiatement les instructions.

⚠ AVERTISSEMENT

Risque possible de décès ou de blessure grave si vous ne suivez pas les instructions.

Tous les messages de sécurité vous diront quel est le danger potentiel et vous disent comment réduire le risque de blessure et ce qui peut se produire en cas de non-respect des instructions.

IMPORTANTES INSTRUCTIONS DE SÉCURITÉ

AVERTISSEMENT : Pour réduire les risques d'incendie, de choc électrique ou des blessures lors de l'utilisation du réfrigérateur, prendre quelques précautions fondamentales, y compris les suivantes :

- Brancher l'appareil sur une prise à 3 alvéoles reliée à la terre.
- Ne pas enlever la broche de liaison à la terre.
- Ne pas utiliser un adaptateur.
- Ne pas utiliser un câble de rallonge.
- Débrancher la source de courant électrique avant l'entretien.
- Replacer pièces et panneaux avant de faire la remise en marche.
- Enlever les portes de votre vieux réfrigérateur.
- Utiliser un produit de nettoyage ininflammable.
- Garder les matériaux et les vapeurs inflammables, telle que l'essence, loin du réfrigérateur.
- Utiliser deux ou plus de personnes pour déplacer et installer le réfrigérateur.
- Débrancher le réfrigérateur avant l'installation de la machine à glaçons (seulement pour modèles prêts à recevoir une machine à glaçons).
- Utiliser un verre robuste pour prendre des glaçons (sur certains modèles).
- Ne pas heurter les portes en verre du réfrigérateur (sur certains modèles).

CONSERVEZ CES INSTRUCTIONS

Avertissements de la proposition 65 de l'État de Californie :

AVERTISSEMENT : Ce produit contient au moins un produit chimique connu par l'État de Californie pour être à l'origine de cancers.

AVERTISSEMENT : Ce produit contient au moins un produit chimique connu par l'État de Californie pour être à l'origine de malformations et autres déficiences de naissance.

Mise au rebut adéquate de votre vieux réfrigérateur

⚠ AVERTISSEMENT

Risque de suffoquer

Enlever les portes de votre vieux réfrigérateur.

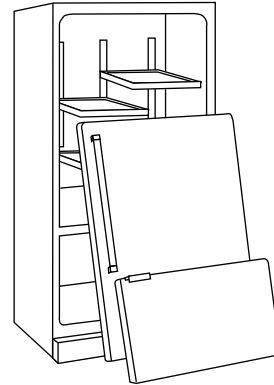
Le non-respect de cette instruction peut causer un décès ou des lésions cérébrales.

IMPORTANT : L'emprisonnement et l'étouffement des enfants ne sont pas un problème du passé. Les réfrigérateurs jetés ou abandonnés sont encore dangereux, même s'ils sont laissés abandonnés pendant "quelques jours seulement". Si vous vous débarrassez de votre vieux réfrigérateur, veuillez suivre les instructions suivantes pour aider à éviter les accidents.

Avant de jeter votre vieux réfrigérateur ou congélateur :

- Enlever les portes.

- Laisser les tablettes en place de sorte que les enfants ne puissent pas y pénétrer facilement.



Renseignements importants à propos de la mise au rebut des fluides réfrigérants :

Mettre le réfrigérateur au rebut conformément à la réglementation fédérale et locale. Les fluides réfrigérants doivent être évacués par un technicien certifié et agréé par l'EPA conformément aux procédures établies.

INSTRUCTIONS D'INSTALLATION

Déballage du réfrigérateur

⚠ AVERTISSEMENT

Risque du poids excessif

Utiliser deux ou plus de personnes pour déplacer et installer le réfrigérateur.

Le non-respect de cette instruction peut causer une blessure au dos ou d'autre blessure.

- Ne pas utiliser d'instruments coupants, d'alcool à friction, de liquides inflammables ou de nettoyants abrasifs pour enlever le ruban adhésif ou la colle. Ces produits peuvent endommager la surface de votre réfrigérateur. Pour plus de renseignements, voir "Sécurité du réfrigérateur".
- Jeter ou recycler tous les matériaux d'emballage.

Déplacement de votre réfrigérateur :

Votre réfrigérateur est lourd. Lors du déplacement de votre réfrigérateur pour le nettoyage ou un entretien ou réparation, veiller à recouvrir le plancher avec du carton ou un panneau de fibres dures pour éviter qu'il ne subisse tout dommage. Toujours tirer le réfrigérateur tout droit lors de son déplacement. Ne pas incliner le réfrigérateur d'un côté ou de l'autre ni le "faire marcher" en essayant de le déplacer car le plancher pourrait être endommagé.

Dépose de l'emballage

- Enlever tout résidu de ruban adhésif et de colle des surfaces du réfrigérateur avant de le mettre en marche. Frotter une petite quantité de savon liquide pour la vaisselle sur l'adhésif avec les doigts. Rincer à l'eau tiède et essuyer.

Nettoyage avant l'utilisation

Après avoir enlevé tous les matériaux d'emballage, nettoyer l'intérieur du réfrigérateur avant de l'utiliser. Voir les instructions de nettoyage dans "Entretien du réfrigérateur".

Importants renseignements à savoir au sujet des tablettes et des couvercles en verre :

Ne pas nettoyer les tablettes ou couvercles en verre avec de l'eau tiède quand ils sont froids. Les tablettes et les couvercles peuvent se briser s'ils sont exposés à des changements soudains de température ou à un impact tel que coup brusque. Le verre trempé est conçu pour éclater en d'innombrables pièces minuscules. Ceci est normal. Les tablettes et les couvercles en verre sont lourds. Les saisir à deux mains lors de leur dépose afin d'éviter de les faire tomber.

Exigences d'emplacement

⚠ AVERTISSEMENT



Risque d'explosion

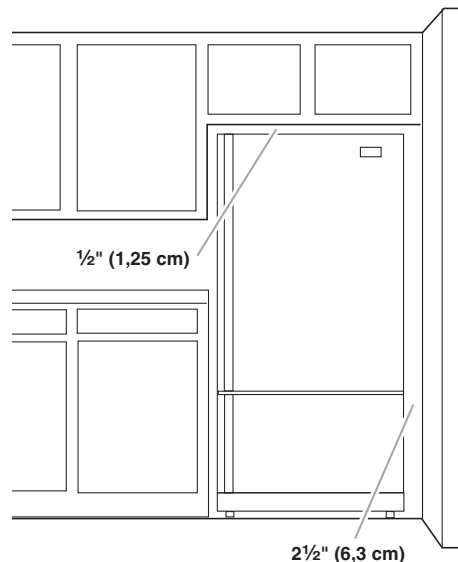
Garder les matériaux et les vapeurs inflammables, telle que l'essence, loin du réfrigérateur.

Le non-respect de cette instruction peut causer un décès, une explosion ou un incendie.

IMPORTANT : Ce réfrigérateur est conçu pour un usage domestique, à l'intérieur uniquement.

Pour obtenir une aération appropriée pour votre réfrigérateur, laisser un espace de 1/2" (1,25 cm) de chaque côté et au sommet. Laisser un espace de 1" (2,54 cm) derrière le réfrigérateur. Si votre réfrigérateur comporte une machine à glaçons, s'assurer qu'un espace additionnel est prévu à l'arrière pour permettre les raccordements des conduits d'eau. En cas d'installation du réfrigérateur près d'un mur fixe, laisser un espace minimum de 2 1/2" (6,3 cm) du côté de la charnière (certains modèles nécessitent davantage d'espace) pour permettre à la porte de s'ouvrir sans obstruction.

REMARQUE : Ce réfrigérateur est conçu pour être utilisé dans un endroit où la température est comprise entre un minimum de 55°F (13°C) et un maximum de 110°F (43°C). La plage de température ambiante idéale pour une performance optimale est comprise entre 60°F (15°C) et 90°F (32°C). Respecter cette plage de température permet aussi de réduire la consommation d'électricité et d'optimiser l'efficacité du refroidissement. Il est recommandé de ne pas installer le réfrigérateur près d'une quelconque source de chaleur, tel un four ou un radiateur.



Spécifications électriques

⚠ AVERTISSEMENT



Risque de choc électrique

Brancher sur une prise à 3 alvéoles reliée à la terre.

Ne pas enlever la broche de liaison à la terre.

Ne pas utiliser un adaptateur.

Ne pas utiliser un câble de rallonge.

Le non-respect de ces instructions peut causer un décès, un incendie ou un choc électrique.

Avant de placer le réfrigérateur à son emplacement final, il est important de vous assurer d'avoir la connexion électrique appropriée.

Méthode recommandée de mise à la terre

Une source d'alimentation de 115 volts, 60 Hz, type 15 ou 20 A CA seulement, protégée par des fusibles et adéquatement mise à la terre est nécessaire. Il est recommandé d'utiliser un circuit distinct pour alimenter uniquement votre réfrigérateur. Utiliser une prise murale qui ne peut pas être mise hors circuit à l'aide d'un commutateur. Ne pas employer de rallonge.

REMARQUE : Avant d'exécuter tout type d'installation, nettoyage ou remplacement d'une ampoule d'éclairage, désactiver le réfrigérateur. Selon votre modèle, mettre la commande du congélateur à la position OFF (arrêt) ou appuyer sur la touche Moins bas jusqu'à ce qu'un tiret (-) apparaisse sur l'affichage du réfrigérateur et du congélateur – voir l'illustration. Débrancher ensuite le réfrigérateur de la source d'alimentation électrique. Lorsque vous avez terminé, reconnecter le réfrigérateur à la source d'alimentation électrique et mettre de nouveau le réglage de la température au réglage désiré. Voir "Utilisation des commandes".



Spécifications de l'alimentation en eau

Rassembler les outils et pièces nécessaires avant de commencer l'installation. Lire et suivre les instructions fournies avec les outils indiqués ci-dessous.

OUTILLAGE REQUIS :

- Tournevis à lame plate
- Clés plates de 7/16" et 1/2" ou deux clés à molette réglables
- Tourne-écrou de 1/4"
- Foret de 1/4"
- Perceuse sans fil

IMPORTANT :

- Toutes les installations doivent être conformes aux exigences des codes locaux de plomberie.
- Ne pas employer de robinet d'arrêt à étrier de 3/16" (4,76 mm) ou de type à percer, ce qui réduit le débit d'eau et cause une obstruction plus facilement.
- Utiliser un tube en cuivre et vérifier l'absence de fuites. Installer les tubes en cuivre seulement à des endroits où la température se maintient au-dessus du point de congélation.
- Pour les modèles avec filtre à eau, le filtre à eau jetable doit être remplacé au moins tous les 6 mois.

Pression de l'eau

Une alimentation en eau froide avec une pression entre 35 et 120 lb/po² (241 et 827 kPa) est nécessaire pour faire fonctionner le distributeur d'eau et la machine à glaçons. Si vous avez des questions au sujet de la pression de votre eau, appeler un plombier qualifié agréé.

Alimentation en eau par osmose inverse

IMPORTANT : La pression de l'alimentation en eau entre le système d'osmose inverse et la valve d'arrivée d'eau du réfrigérateur doit être entre 35 et 120 lb/po² (241 et 827 kPa).

Si un système de purification de l'eau par osmose inverse est raccordé à votre alimentation en eau froide, la pression de l'eau au système doit être d'un minimum de 40 à 60 lb/po² (276 à 414 kPa).

Si la pression de l'eau au système d'osmose inverse est inférieure à 40 à 60 lb/po² (276 à 414 kPa) :

- Vérifier pour voir si le filtre à sédiment du système d'osmose inverse est bloqué et le remplacer si nécessaire.
- Laisser le réservoir du système d'osmose inverse se remplir après une utilisation intense.

- Si votre réfrigérateur a un filtre à eau, celui-ci peut réduire encore plus la pression de l'eau lorsqu'il est utilisé avec un système d'osmose inverse. Retirer le filtre à eau. Voir "Système de filtration de l'eau".

Si vous avez des questions au sujet de la pression de votre eau, appelez un plombier qualifié agréé.

Raccordement de la canalisation d'eau

Lire toutes les instructions avant de commencer.

IMPORTANT :

- L'installation de la plomberie doit être conforme au Code International de plomberie et respecter les codes et règlements locaux de plomberie.
- Le tuyau d'eau gris situé à l'arrière du réfrigérateur (et utilisé pour raccorder l'appareil à la canalisation d'eau du domicile) est un tuyau en polyéthylène réticulé (PEX). Il est possible d'utiliser des raccords en cuivre ou en polyéthylène réticulé pour le raccordement de la canalisation d'eau du domicile au réfrigérateur - ils contribuent à éviter que l'eau ait un goût ou une odeur désagréable. Vérifier qu'il n'y a pas de fuites. Si l'on utilise un tuyau en polyéthylène réticulé au lieu d'un tuyau de cuivre, nous recommandons les numéros de pièce suivants : W10505928RP (PEX chemisé de 7 pi [2,14 m]), 8212547RP (PEX de 5 pi [1,52 m]), ou W10267701RP (PEX de 25 pi [7,62 m]).
- Installer les tuyaux seulement là où les températures resteront au-dessus du point de congélation.
- Si l'on met en marche le réfrigérateur avant que la canalisation d'eau ne soit raccordée, éteindre la machine à glaçons pour éviter tout bruit excessif ou éviter d'endommager le robinet d'eau.

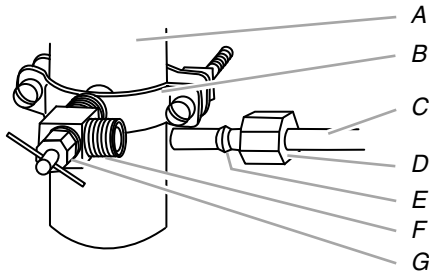
Raccordement à une canalisation d'eau

1. Débrancher le réfrigérateur ou déconnecter la source de courant électrique.
2. FERMER le robinet principal d'arrivée d'eau. OUVRIR le robinet de puisage le plus proche pendant une période suffisante pour que la canalisation d'eau se vide.
3. Trouver une canalisation d'eau froide verticale de 1/2" à 1 1/4" (12,7 mm à 31,8 mm) près du réfrigérateur.

IMPORTANT :

- S'assurer qu'il s'agit d'un conduit d'eau froide.
 - Un conduit horizontal fonctionnera, mais le procédé suivant doit être suivi : percer par le dessus de la canalisation et non pas par le dessous. Ainsi, l'eau ne risquera pas d'arroser la perceuse. Ceci empêche également les sédiments qu'on trouve normalement dans l'eau de s'accumuler dans le robinet.
4. Pour déterminer la longueur du tube en cuivre, il faut mesurer la distance entre le point de connexion au bas du côté arrière droit du réfrigérateur et la canalisation. Ajouter une longueur de 7 pi (2,1 m) pour permettre le déplacement du réfrigérateur pour le nettoyage. Utiliser un tube en cuivre de 1/4" (6,35 mm) de diamètre extérieur. Veiller à ce que le tube soit coupé d'équerre aux deux extrémités.

- À l'aide d'une perceuse sans fil, percer un trou de 1/4" dans le tuyau de canalisation d'eau froide choisie.



A. Canalisation d'eau froide
 B. Bride de tuyau
 C. Tube en cuivre
 D. Écrou de compression
 E. Bague de compression
 F. Robinet d'arrêt
 G. Écrou de serrage

- Fixer le robinet d'arrêt sur la canalisation d'eau froide avec la bride de tuyau. Vérifier que le raccord du robinet est bien engagé dans le trou de 1/4" percé dans la canalisation et que la rondelle d'étanchéité est placée sous la bride de tuyau. Serrer l'écrou de serrage. Serrer lentement et uniformément les vis de la bride de tuyau afin que la rondelle forme une jonction étanche. Ne pas serrer excessivement.
- Enfiler l'écrou et la bague de compression du raccord sur le tube en cuivre comme on le voit sur l'illustration. Insérer l'extrémité du tube aussi loin que possible dans l'ouverture de sortie du robinet. Visser l'écrou de compression sur le raccord de sortie avec une clé à molette. Ne pas serrer excessivement car ceci pourrait provoquer l'écrasement du tube en cuivre.
- Placer le bout libre du tube dans un contenant ou évier et OUVRIRE le robinet principal d'arrivée d'eau et laisser l'eau s'écouler par le tube jusqu'à ce que l'eau soit limpide. FERMER le robinet principal d'arrivée d'eau.

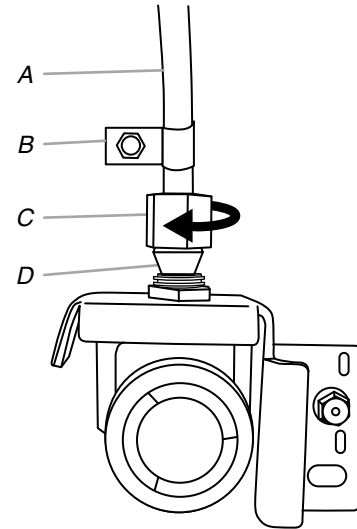
Raccordement au réfrigérateur

Selon le modèle, la canalisation d'eau peut être configurée vers le haut ou vers le bas. Suivre les instructions de raccordement appropriées à votre modèle.

Style 1

- Enlever le capuchon de plastique du robinet d'arrivée d'eau. Connecter le tube en cuivre au robinet d'eau en utilisant un écrou et une bague de compression tel qu'illustré. Serrer l'écrou de compression. Ne pas serrer excessivement. Vérifier que le tube en cuivre est fixé solidement en tirant sur le tube en cuivre.

- Créer une boucle de service avec le tube de cuivre. Éviter les déformations en pliant le tube de cuivre. Fixer le tube en cuivre à la caisse du réfrigérateur avec une bride en "P".

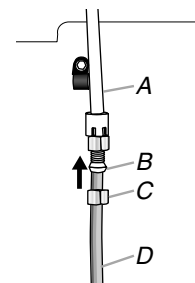


A. Tube en cuivre
 B. Bride en "P"
 C. Écrou de compression
 D. Bague de compression

- Ouvrir l'arrivée d'eau au réfrigérateur et vérifier s'il y a des fuites. Corriger toute fuite.

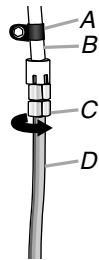
Style 2

- Créer une boucle de service (diamètre minimum de 2 pi [61 cm]) avec le tube de cuivre. Éviter les déformations en pliant le tube de cuivre.
- Retirer le capuchon de plastique de l'orifice du robinet d'arrivée d'eau. Placer un écrou et une bague de compression sur le tube de cuivre.
- Insérer l'extrémité du tube de cuivre dans l'orifice d'arrivée d'eau. Ajuster légèrement le tube de cuivre de façon à ce qu'il s'adapte parfaitement à l'orifice d'arrivée d'eau pour éviter les déformations.
- Faire glisser l'écrou de compression sur la bague et serrer pour le fixer sur l'orifice d'arrivée d'eau.



A. Tube en plastique pour canalisation d'eau
 B. Bague
 C. Écrou de compression
 D. Tube de cuivre

5. À l'aide d'une clé à molette, fixer l'écrou sur la canalisation d'eau pour l'empêcher de se déplacer. Ensuite, à l'aide d'une deuxième clé, tourner l'écrou sur le tube de cuivre dans le sens antihoraire pour serrer complètement. Ne pas serrer excessivement.



A. Bride en "P" C. Écrou de compression
B. Canalisation d'eau en plastique D. Tube de cuivre

6. Vérifier la solidité du raccordement en tirant sur le tube de cuivre. Fixer la canalisation d'eau en plastique à la caisse du réfrigérateur à l'aide d'une bride en "P".
7. Ouvrir la canalisation d'eau du réfrigérateur et inspecter s'il y a des fuites. Corriger toute fuite.

Achever l'installation

⚠ AVERTISSEMENT



Risque de choc électrique

- Brancher sur une prise à 3 alvéoles reliée à la terre.**
- Ne pas enlever la broche de liaison à la terre.**
- Ne pas utiliser un adaptateur.**
- Ne pas utiliser un câble de rallonge.**
- Le non-respect de ces instructions peut causer un décès, un incendie ou un choc électrique.**

1. Brancher sur une prise à 3 alvéoles reliée à la terre.

REMARQUE : Prévoir un délai de 24 heures pour la production du premier lot de glaçons. Jeter les trois premiers lots de glaçons produits. Prévoir un délai de 3 jours pour le remplissage complet du récipient à glaçons.

Porte(s) et tiroir du réfrigérateur

OUTILLAGE NÉCESSAIRE : Clés à douille hexagonale de 5/16", 3/8" et 1/4", tournevis Phillips n° 2, tournevis à lame plate.

IMPORTANT :

- Votre réfrigérateur peut comporter une porte réversible standard avec soit une porte de congélateur ou un tiroir de congélation, soit une porte à deux battants. Suivre les instructions spécifiques pour le style de porte de votre modèle.
- Toutes les illustrations mentionnées dans les instructions suivantes sont incluses plus loin dans cette section après "Étapes finales". Pour la porte standard, les illustrations correspondent à un réfrigérateur avec porte s'ouvrant à droite (charnières installées à droite à l'usine).

- Si vous voulez seulement déposer et réinstaller les portes, voir "Dépose des portes et des charnières" et "Réinstallation des portes et des charnières".
- Avant de commencer, tourner la commande du réfrigérateur à OFF (arrêt), et retirer les aliments et tout balconnet réglable ou compartiment utilitaire des portes.

Installation et enlèvement des poignées

Porte standard

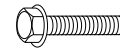
- Placer la poignée sur la porte du réfrigérateur ou sur le tiroir tel qu'illustré. À l'aide d'un tournevis Phillips, fixer la poignée à la porte du réfrigérateur avec les vis de poignée.
- Placer les pièces de garniture sur les extrémités de la poignée tel qu'illustré. Appuyer fermement avec votre main sur la surface de la garniture. Faire glisser la garniture vers le centre de la poignée.
- Pour enlever les poignées, reprendre les directives de montage dans le sens inverse.

Porte à deux battants

- À l'aide d'une clé hexagonale de 3/32", desserrer les deux vis de montage situées sur le côté de chaque poignée. Tirer sur la poignée en ligne droite pour la sortir de la porte ou du tiroir. S'assurer de conserver les vis pour réinstaller les poignées. Voir les illustrations 1 et 2.
- Pour réinstaller les poignées, reprendre les directives de montage dans le sens inverse.

Dépose des portes et des charnières

Porte standard



Vis de la charnière supérieure à tête hexagonale

Modèles avec tiroir de congélation

1. Débrancher le réfrigérateur ou déconnecter la source de courant électrique.
2. Fermer la porte du réfrigérateur jusqu'au moment où on est prêt à la séparer de la caisse de l'appareil.
REMARQUE : Prévoir un support additionnel des portes pendant le démontage des charnières. La force d'attraction des aimants des portes ne suffit pas à les maintenir en place.
3. Enlever les pièces de la charnière supérieure - voir l'illustration de la charnière supérieure. Soulever la porte du réfrigérateur pour la séparer de la caisse.
4. Enlever les pièces de la charnière inférieure - voir l'illustration de la charnière inférieure.


Modèles de compartiments de congélation avec porte

1. Débrancher le réfrigérateur ou déconnecter la source de courant électrique.
2. Fermer la porte du congélateur jusqu'au moment où on est prêt à la séparer de la caisse de l'appareil.
REMARQUE : Prévoir un support additionnel des portes pendant le démontage des charnières. La force d'attraction des aimants des portes ne suffit pas à les maintenir en place.
3. Enlever les pièces de la charnière supérieure - voir l'illustration de la charnière supérieure. Soulever la porte du réfrigérateur pour la séparer de la caisse.
4. Enlever l'axe de la charnière centrale - voir l'illustration de la charnière centrale. Soulever la porte du compartiment de congélation pour la séparer de la caisse.

- Retirer la grille de la base en la saisissant fermement avec les deux mains et en la tirant vers vous.
- Enlever les pièces de la charnière inférieure - voir l'illustration de la charnière inférieure.

Porte à deux battants

⚠ AVERTISSEMENT



Risque de choc électrique

Déconnecter la source de courant électrique avant d'enlever les portes.

Le non-respect de cette instruction peut causer un décès ou un choc électrique.

- Débrancher le réfrigérateur ou déconnecter la source de courant électrique.
- Laisser les portes du réfrigérateur fermées jusqu'à ce que vous soyez prêt à les soulever de la caisse.
REMARQUE : Prévoir un support additionnel des portes pendant la réinstallation des charnières. La force d'attraction des aimants des portes ne suffit pas à les maintenir en place.
- En commençant par la porte du côté droit, ôter les pièces de la charnière supérieure - voir l'illustration de la charnière supérieure. Soulever la porte du réfrigérateur de l'axe de la charnière inférieure.
- Ôter le couvercle de l'axe de la charnière inférieure et la conserver pour utilisation ultérieure. Voir l'illustration de la charnière inférieure.
- Avant de retirer la porte du côté gauche, déconnecter la fiche de branchement située sur la partie supérieure de la charnière supérieure en coinçant un tournevis à lame plate ou votre ongle entre les deux sections. Voir l'illustration de la Fiche de branchement.
REMARQUE : Le conducteur vert de liaison à la terre reste fixé à la charnière.
- Enlever les pièces de la charnière supérieure du côté gauche - voir l'illustration de la charnière supérieure. Soulever la porte de l'axe de la charnière inférieure.
REMARQUE : Ôter le couvercle de l'axe de la charnière inférieure et la conserver pour utilisation ultérieure. Voir l'illustration de la charnière inférieure.

Inversion du sens d'ouverture de la porte standard (facultatif)

IMPORTANT : Si on souhaite inverser la position des portes pour pouvoir les ouvrir dans la direction opposée, procéder comme suit. S'il n'est pas nécessaire de changer l'orientation des portes, voir la section "Réinstallation - Porte(s) et charnières".



Vis de butée de la porte



Vis frontale de scellement de la poignée de la porte



Vis de poignée à tête plate



Bouchon d'obturation de charnière de caisse

Caisse

- Enlever les vis de la charnière (côté poignée); transférer ces pièces du côté opposé. Voir l'illustration 1.

Porte du compartiment de réfrigération

- Enlever la poignée de la porte du compartiment de réfrigération tel qu'illustré dans l'illustration 2. Conserver toutes les pièces ensemble.
- Enlever la vis frontale de scellement de la poignée de porte. Transférer du côté opposé de la porte du réfrigérateur. Voir l'illustration 5.
- Enlever la butée de porte. Transférer la pièce du côté opposé de la porte du réfrigérateur. Voir l'illustration 3.
- Positionner la poignée de porte du réfrigérateur sur le côté opposé de la porte avec les deux vis tel qu'illustré dans l'illustration 2. Réinstaller la garniture de la poignée tel qu'illustré.
- Serrer toutes les vis. Conserver la porte à part jusqu'à ce que les charnières et le tiroir du compartiment de congélation soient installés.

Porte du compartiment de congélation

- Enlever la poignée de porte du congélateur tel qu'illustré. Conserver toutes les pièces ensemble. Voir l'illustration 4.
- Enlever la butée de porte. Transférer la butée du côté opposé de la porte du compartiment de congélation. Voir l'illustration 3.
- Fixer la poignée sur le côté opposé de la porte du compartiment de congélation.
- Serrer toutes les vis. Mettre la porte de côté.
- Retirer la grille de la base en la saisissant fermement avec les deux mains et en la tirant vers vous.
REMARQUE : Placer une cale sous le bord inférieur avant de la caisse du réfrigérateur afin d'alléger le poids appliqué aux brides de roulettes.
- Retirer les vis des deux brides de roulettes. Voir l'illustration 6.
- Retirer la plaque de charnière située derrière la bride de roulette et la déplacer de l'autre côté du réfrigérateur. Déplacer l'axe de la charnière et la cale vers le trou extérieur de la plaque de charnière. Voir l'illustration 6.

Réinstallation des portes et des charnières

Porte standard

REMARQUE : Si on inverse le sens d'ouverture des portes, considérer l'image symétrique.

Modèles avec tiroir de congélation

- Réinstaller les pièces de la charnière inférieure. Voir l'illustration. Serrer les vis.
REMARQUE : Prévoir un support additionnel des portes pendant la réinstallation des charnières. La force d'attraction des aimants des portes ne suffit pas à les maintenir en place.
- Assembler les pièces de la charnière supérieure. Voir l'illustration - charnière supérieure. Ne pas complètement serrer les vis.
- Aligner correctement la porte au niveau de la séparation entre le bas de la porte du compartiment de réfrigération et le sommet du tiroir de congélation. Serrer toutes les vis.

Modèles de compartiments de congélation avec porte

1. S'assurer que la plaque de charnière est bien fixée à la bride de la roulette et que l'axe de charnière est inséré dans le trou extérieur. Serrer complètement toutes les vis des brides de roulettes. Voir l'illustration 6.
2. Retirer la cale que vous avez placée sous le bord avant de la caisse du réfrigérateur. Réinstaller la porte du congélateur.
REMARQUE : Prévoir un support additionnel de la porte pendant la réinstallation des charnières. La force d'attraction des aimants des joints de porte ne suffit pas à la maintenir en place.
3. Assembler les pièces de la charnière centrale (voir l'illustration de la charnière centrale) et serrer toutes les vis. Réinstaller la porte du réfrigérateur.
4. Assembler les pièces de la charnière supérieure (voir l'illustration de la charnière supérieure). Ne pas complètement serrer les vis.
5. Aligner correctement la porte au niveau de la séparation entre le bas de la porte du compartiment de réfrigération et le sommet de la porte du compartiment de congélation. Serrer toutes les vis.

Portes à deux battants

1. Assembler les pièces de la charnière supérieure. Voir l'illustration de la charnière supérieure. Ne pas complètement serrer les vis.
2. Replacer les pièces de la charnière inférieure. Voir l'illustration de la charnière inférieure. Resserrer les vis. Replacer les portes du réfrigérateur.
REMARQUE : Prévoir un support additionnel des portes pendant la réinstallation des charnières. La force d'attraction des aimants des portes ne suffit pas à les maintenir en place.
3. Aligner correctement la porte au niveau du bas de la porte du compartiment de congélation et du sommet de la porte du réfrigérateur. Serrer toutes les vis.
4. Reconnecter la fiche de branchement sur la partie supérieure de la porte du côté gauche du réfrigérateur.
5. Réinstaller les couvercles de la charnière supérieure.

Retirer et réinstaller le tiroir du congélateur

IMPORTANT :

- Deux personnes peuvent être nécessaires pour déposer et réinstaller le tiroir de congélation.
- Toutes les illustrations mentionnées dans les instructions suivantes sont incluses plus loin dans cette section après "Étapes finales".

Déposer la façade du tiroir

1. Ouvrir le tiroir du congélateur complètement.
2. Dévisser les quatre vis maintenant les glissières du tiroir avec sa façade. Voir l'illustration de la Dépose de l'avant du tiroir.

REMARQUE : Dévisser les vis de trois à quatre tours. Laisser les vis sur la façade du tiroir.

3. Soulever la façade du tiroir vers le haut et hors des vis. Voir l'illustration de la Dépose de l'avant du tiroir.

Réinstaller la façade du tiroir

1. Faire glisser les glissières du tiroir hors du compartiment de congélation. Insérer les vis de la partie supérieure de la façade du tiroir dans les trous des brides du tiroir. Voir l'illustration de la Réinstallation de l'avant du tiroir.
2. Tirer les brides du tiroir vers soi pour mettre en place les deux vis de la partie inférieure de la façade du tiroir dans les brides. Voir l'illustration de la Réinstallation de l'avant du tiroir.
3. Serrer complètement les quatre vis.

Étapes finales

1. Inspecter tous les trous. Vérifier que tous les bouchons d'obturation et vis sont en place. Réinstaller le couvercle de la charnière supérieure. Voir l'illustration - charnière supérieure.
2. Replacer la grille de la base.

⚠ AVERTISSEMENT



Risque de choc électrique

Brancher sur une prise à 3 alvéoles reliée à la terre.

Ne pas enlever la broche de liaison à la terre.

Ne pas utiliser un adaptateur.

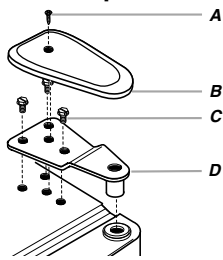
Ne pas utiliser un câble de rallonge.

Le non-respect de ces instructions peut causer un décès, un incendie ou un choc électrique.

3. Brancher sur une prise à 3 alvéoles reliée à la terre.
4. Réinstaller toutes les pièces amovibles dans les portes et les aliments dans le réfrigérateur.

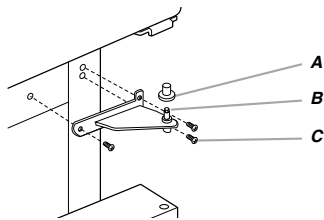
Dépose et réinstallation de la porte

Charnière supérieure



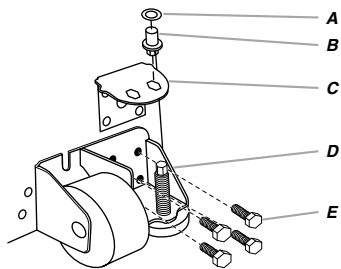
- A. Vis de couvercle de charnière supérieure
- B. Couvercle de charnière supérieure
- C. Vis de charnière à tête hexagonale de 5/16"
- D. Charnière supérieure

Charnière centrale



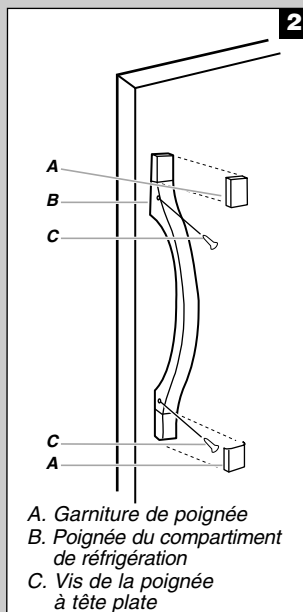
- A. Couvercle de l'axe de charnière
- B. Charnière centrale
- C. Vis de charnière

Charnière inférieure

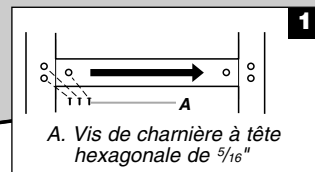


- A. Cale de l'axe de charnière
- B. Charnière inférieure
- C. Plaque de charnière
- D. Bride de la roulette
- E. Vis de charnière à tête hexagonale de 3/8"

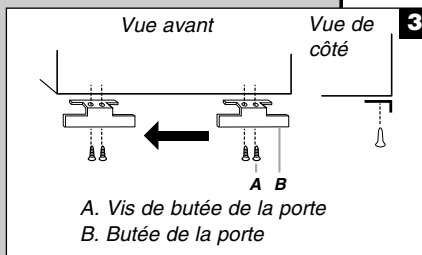
Inversion du sens d'ouverture des portes (option)



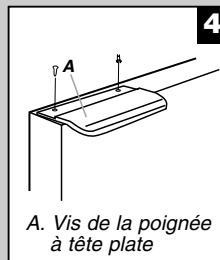
- A. Garniture de poignée
- B. Poignée du compartiment de réfrigération
- C. Vis de la poignée à tête plate



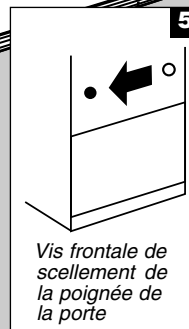
- A. Vis de charnière à tête hexagonale de 5/16"



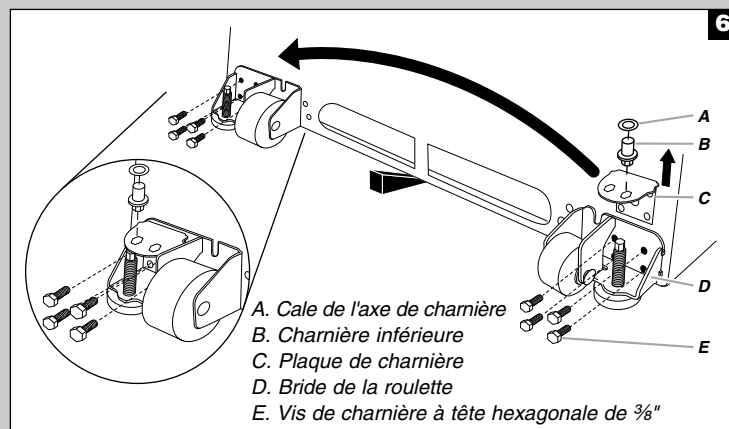
- A. Vis de butée de la porte
- B. Butée de la porte



- A. Vis de la poignée à tête plate



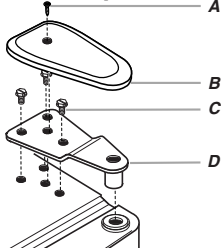
- Vis frontale de scellement de la poignée de la porte



- A. Cale de l'axe de charnière
- B. Charnière inférieure
- C. Plaque de charnière
- D. Bride de la roulette
- E. Vis de charnière à tête hexagonale de 3/8"

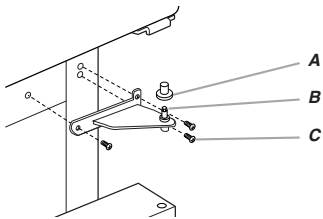
Dépose et réinstallation de la porte

Charnière supérieure



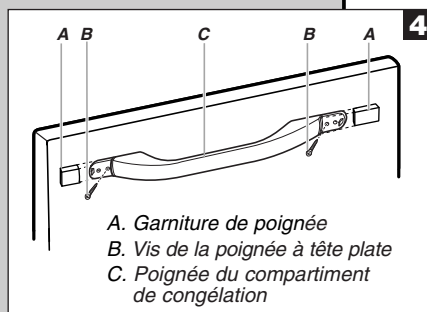
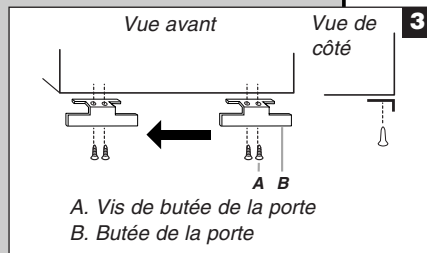
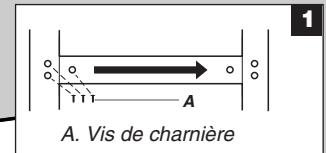
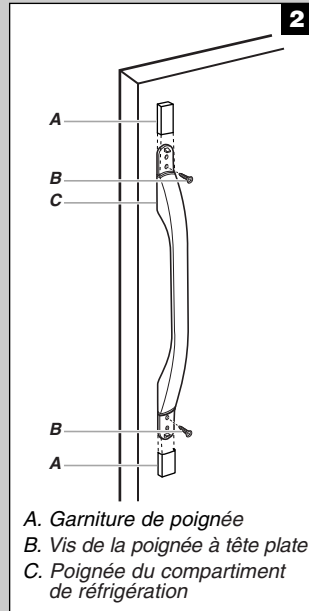
- A. Vis du couvercle de la charnière
- B. Couvercle de la charnière supérieure
- C. Vis de charnière à tête hexagonale de 5/16"
- D. Charnière supérieure

Charnière inférieure

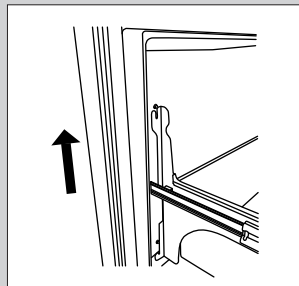
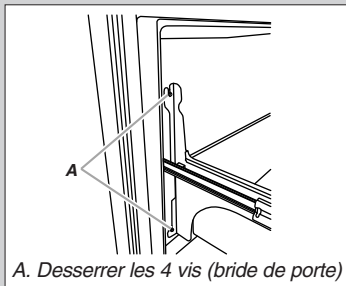


- A. Couvercle de l'axe de la charnière
- B. Charnière inférieure
- C. Vis de charnière

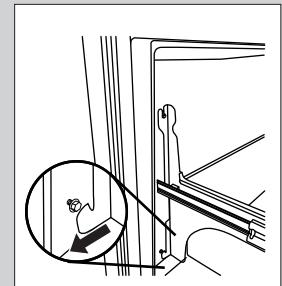
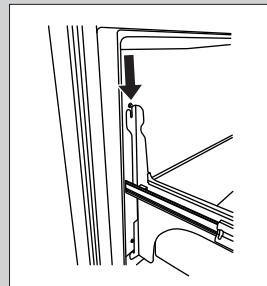
Inversion du sens d'ouverture des portes (option)



Dépose de la façade du tiroir



Réinstallation de la façade du tiroir





⚠ AVERTISSEMENT

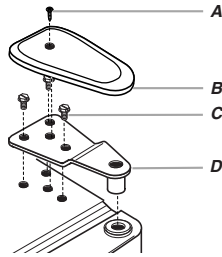
Risque de choc électrique

Déconnecter la source de courant électrique avant d'enlever les portes.

Le non-respect de cette instruction peut causer un décès ou un choc électrique.

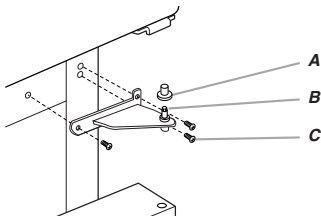
Dépose et réinstallation de la porte

Charnières supérieures



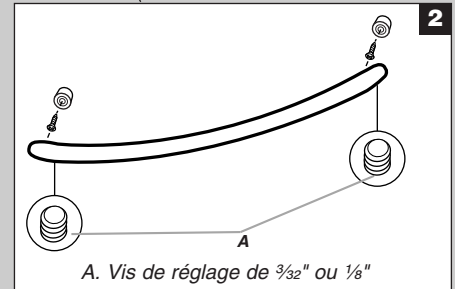
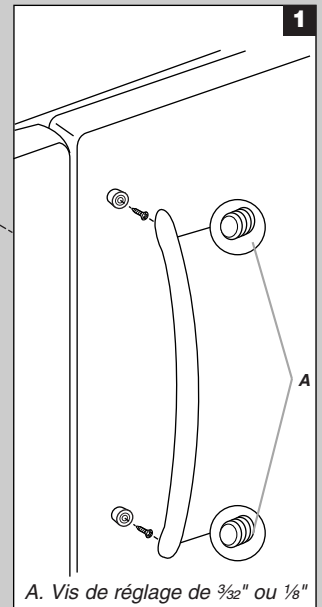
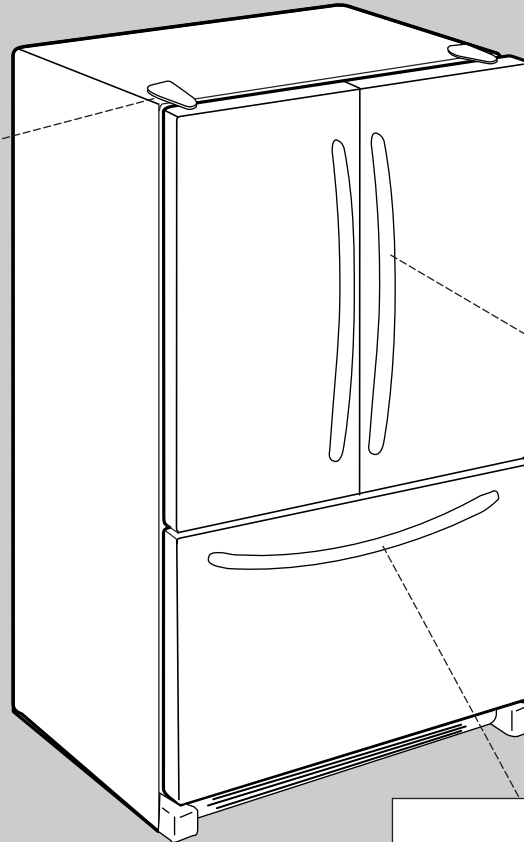
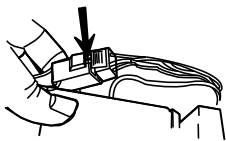
- A. Vis du couvercle de la charnière
- B. Couvercle de la charnière supérieure
- C. Vis de charnière à tête hexagonale de 5/16"
- D. Charnière supérieure

Charnières inférieures

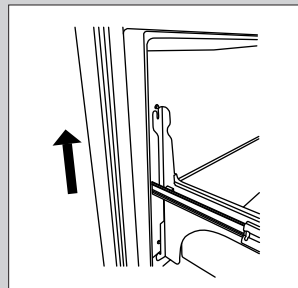
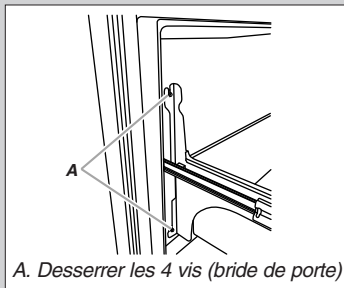


- A. Couvercle de l'axe de la charnière
- B. Charnière inférieure
- C. Vis de charnière

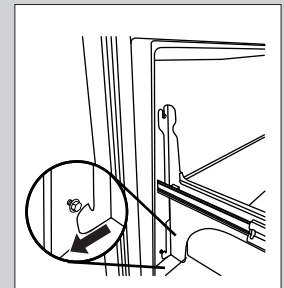
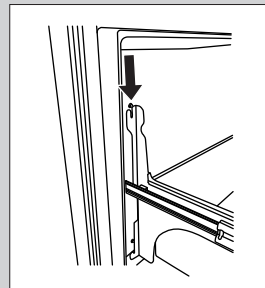
Fiche de branchement



Dépose de la façade du tiroir



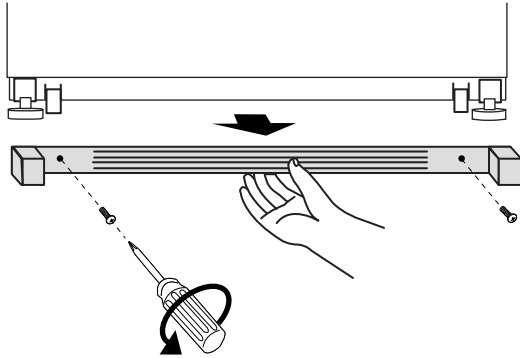
Réinstallation de la façade du tiroir



Fermeture et alignement de la porte

La grille de la base recouvre les vis de nivellement et les roulettes situées sous la caisse du réfrigérateur, sous la porte ou le tiroir du compartiment de congélation. Avant de réaliser les ajustements, retirer la grille de la base et déplacer le réfrigérateur à son emplacement définitif.

1. Retirer les deux vis fixant la grille de la base à la caisse, et les mettre de côté. Saisir la grille et la tirer vers vous.

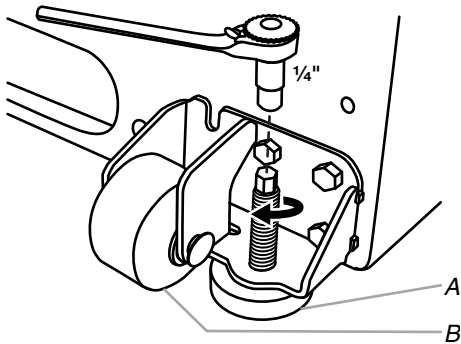


2. Déplacer le réfrigérateur jusqu'à sa position de service finale.

REMARQUE : Afin que le réfrigérateur puisse rouler plus facilement, soulever les pieds de nivellement en tournant les vis de nivellement dans le sens antihoraire. Les roulettes avant toucheront le plancher.

3. Afin que les portes ferment plus facilement, utiliser un tourne-écrou à tête hexagonale de 1/4" pour tourner les deux vis de nivellement dans le sens horaire. Ce réglage soulèvera légèrement l'avant du réfrigérateur et l'inclinera ainsi légèrement sur sa partie arrière. Régler les deux vis de nivellement à la même hauteur.

REMARQUE : Le fait d'exercer une pression sur le dessus du réfrigérateur permet d'alléger le poids appliqué aux vis de nivellement. Ceci facilite le réglage des vis.

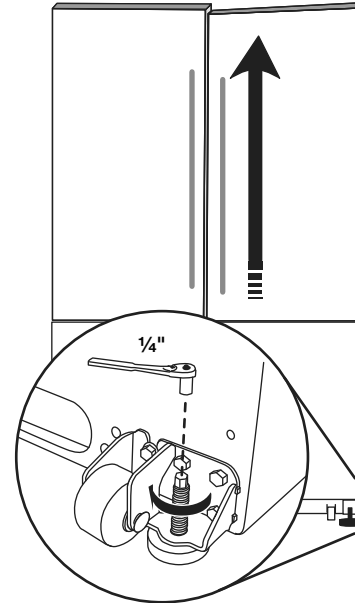


A. Vis de nivellement
B. Roulette avant

4. Ouvrir et fermer les portes pour vérifier que leur fermeture est aussi aisée que vous le souhaitez. Si ce n'est pas le cas, augmenter l'inclinaison du réfrigérateur en tournant les deux vis de nivellement dans le sens horaire. Il est possible qu'il faille appliquer plusieurs tours aux vis de nivellement pour faciliter la fermeture des portes.

5. Vérifier l'alignement de la porte. Si une porte est plus basse que l'autre, ajuster la vis de nivellement du côté du réfrigérateur le plus bas. À l'aide d'un tourne-écrou à tête hexagonale de 1/4", tourner la vis de nivellement dans le sens horaire afin d'élever ce côté du réfrigérateur, jusqu'à ce que les portes soient alignées. Il faudra peut-être appliquer plusieurs tours à la vis de nivellement pour soulever le réfrigérateur.

REMARQUE : Le fait d'exercer une pression sur le dessus du réfrigérateur permet d'alléger le poids appliqué aux vis de nivellement. Ceci facilite le réglage des vis.



6. S'assurer que le réfrigérateur est stable. Si le réfrigérateur semble instable ou qu'il roule vers l'avant lorsqu'on ouvre la porte ou le tiroir, ajuster les vis de nivellement. À l'aide d'un tourne-écrou à tête hexagonale de 1/4", tourner les vis de nivellement dans le sens horaire de chaque côté jusqu'à ce que les pieds de nivellement soient en contact ferme avec le plancher.
7. Remettre la grille de la base en place en alignant les trous de la grille avec ceux de la caisse et la fixer à l'aide des vis retirées à l'étape 1.

UTILISATION DU RÉFRIGÉRATEUR

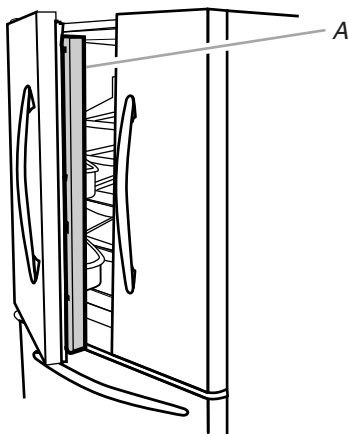
Ouverture et fermeture des portes (Modèles avec portes à deux battants)

Il y a deux portes pour le compartiment de réfrigération. Les portes peuvent être ouvertes et fermées séparément ou ensemble.

Il y a sur la porte de gauche du réfrigérateur un joint à charnière verticale.

- Lors de l'ouverture de la porte du côté gauche, le joint à charnière se replie automatiquement pour qu'il n'y ait pas d'interférence.

- Lorsque les deux portes sont fermées, le joint à charnière assure automatiquement l'étanchéité entre les deux portes.



A. Joint à charnière

Utilisation des commandes

Le centre de commande est situé dans la partie supérieure avant du compartiment de réfrigération.

Commandes de température

Pour votre commodité, les commandes de température sont préréglées à l'usine. Lors de l'installation initiale du réfrigérateur, s'assurer que les commandes sont encore préréglées aux points de réglage recommandés tel qu'illustré.

Réglages recommandés



IMPORTANT :

- Les réglages recommandés devraient convenir à un usage domestique normal. Les commandes sont réglées correctement lorsque le lait ou le jus est aussi froid que vous l'aimez et lorsque la crème glacée est ferme.
- Lorsque l'appareil est sous tension, l'affichage de la température indique la valeur de réglage de température du compartiment.
- Attendre 24 heures que le réfrigérateur se refroidisse avant de placer des aliments dans le réfrigérateur. Si vous ajoutez des aliments avant que le réfrigérateur ait complètement refroidi, vos aliments peuvent être abîmés.

REMARQUE : Tourner les commandes du réfrigérateur et du congélateur à un réglage plus élevé (plus froid) que le réglage recommandé ne refroidira pas les compartiments plus vite.

- Si la température est trop élevée ou trop basse dans les compartiments de réfrigération ou de congélation, vérifier d'abord les ouvertures d'aération pour s'assurer qu'elles ne sont pas bloquées avant d'ajuster les commandes.

Désactivation/activation du réfrigérateur :

- Appuyer à plusieurs reprises sur la touche (+) du congélateur jusqu'à l'apparition de "OFF" sur l'affichage du congélateur. Le réfrigérateur s'arrêtera au bout de quelques secondes. Aucun compartiment ne refroidira.

- Appuyer sur la touche (-) du réfrigérateur ou du congélateur pour mettre le réfrigérateur en marche.

Ajustement des réglages de commande

La commande du RÉFRIGÉRATEUR règle la température du compartiment de réfrigération. La commande du CONGÉLATEUR règle la température du compartiment de congélation.

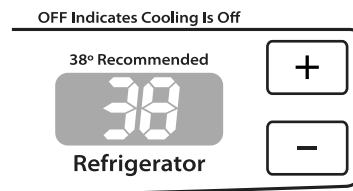
S'il est nécessaire d'ajuster la température dans le compartiment de réfrigération ou de congélation, utiliser les réglages indiqués dans le tableau ci-dessous comme guide.

Pour ajuster les réglages de température :

Lorsqu'on appuie une première fois sur la touche (+) ou (-), le point de réglage actuel de la température s'affiche.

- Appuyer sur les touches (+) ou (-) jusqu'à l'affichage du point de réglage désiré de la température.

REMARQUE : Ne pas ajuster les commandes de température de plus d'un cran à la fois, sauf lors de la mise en marche initiale du réfrigérateur. Attendre 24 heures entre les ajustements pour que la température puisse se stabiliser.



CONDITION/RAISON :	AJUSTEMENT :
RÉFRIGÉRATEUR trop tiède	Tourner le réglage du RÉFRIGÉRATEUR 1° plus bas
CONGÉLATEUR trop tiède/trop peu de glaçons	Tourner le réglage du CONGÉLATEUR 1° plus bas
RÉFRIGÉRATEUR trop froid	Tourner le réglage du RÉFRIGÉRATEUR 1° plus haut
CONGÉLATEUR trop froid	Tourner le réglage du CONGÉLATEUR 1° plus haut

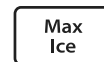
Autres caractéristiques du centre de commande

Max Ice (production de glaçons maximum)

La caractéristique Max Ice augmente la production de glaçons, ce qui est utile en période d'utilisation intense de glaçons.

- Appuyer sur la touche Max Ice pour régler le congélateur au réglage de température le plus bas. Appuyer à nouveau sur la touche Max Ice pour revenir au point de réglage normal du congélateur.

REMARQUE : La caractéristique Max Ice s'éteindra automatiquement au bout de 24 heures environ.



Humidity Control (contrôle de l'humidité)

La caractéristique Humidity Control déclenche la mise en marche d'un élément chauffant, qui aide à réduire l'humidité sur le joint de charnière de la porte. À utiliser dans des environnements humides ou en cas d'humidité sur le joint de charnière de la porte. Le réfrigérateur consomme plus d'énergie lors de l'activation de cette caractéristique.

- Appuyer sur la touche Humidity Control lorsque l'environnement est chaud et plus humide, ou si vous notez de l'humidité sur le joint de charnière de la porte. Le témoin lumineux s'allumera lors de l'activation de cette caractéristique.
- Appuyer sur la touche Humidity Control pour économiser de l'énergie lorsque l'environnement est moins humide.



Temp Alarm (alarme de dépassement de température)

La caractéristique Temp Alarm (alarme de dépassement de température) fournit des renseignements sur la température en cas de panne de courant.

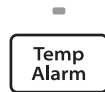
Panne de courant : Au cours d'une panne de courant, si les températures dans les compartiments de réfrigération et de congélation excèdent les températures de fonctionnement normales, la plus haute température atteinte sera affichée.

- Pour activer cette caractéristique, appuyer sur la touche Temp Alarm jusqu'à ce que le témoin lumineux s'allume. Pour désactiver cette caractéristique, appuyer sur Temp Alarm pendant 3 secondes jusqu'à ce que le témoin lumineux s'éteigne.

Alarme de dépassement de température : Un signal d'alarme sera émis à plusieurs reprises si les températures dans les compartiments de réfrigération ou de congélation excèdent les températures de fonctionnement normales pendant une heure ou plus.

L'affichage indique alternativement les températures actuelles et les températures les plus élevées atteintes dans les compartiments.

- Appuyer une fois sur la touche Temp Alarm pour arrêter le signal sonore et l'alternance d'affichage des températures. Le témoin Temp Alarm continue de clignoter jusqu'à ce que le réfrigérateur revienne à la température réglée.



Door Alarm (alarme de la porte)

La caractéristique Door Alarm fait retentir une sonnerie toutes les quelques secondes lorsque la porte du réfrigérateur a été laissée ouverte continuellement pendant 5 minutes. La sonnerie retentira jusqu'à ce que la porte soit fermée ou que la caractéristique Door Alarm soit désactivée.

- Appuyer sur la touche Door Alarm pour activer ou désactiver cette caractéristique. Le témoin lumineux est allumé lorsque la caractéristique Door Alarm est activée.



Max Cool (refroidissement maximum)

La caractéristique Max Cool est utile lors de périodes d'utilisation intense du réfrigérateur, de l'addition d'un grand nombre d'aliments ou de l'élévation temporaire de la température de la pièce.

- Appuyer sur la touche Max Cool pour régler le congélateur et le réfrigérateur aux réglages de température les plus bas. Appuyer à nouveau sur la touche Max Cool pour revenir au point de réglage normal du réfrigérateur.

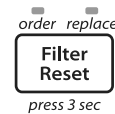
REMARQUE : La caractéristique Max Cool s'éteindra automatiquement au bout de 12 heures environ.



Filter Reset (réinitialisation du filtre)

La commande Filter Reset permet de réactiver la fonction de suivi du statut du filtre à eau à chaque fois que vous remplacez le filtre à eau. Voir "Système de filtration de l'eau".

- Appuyer sur la touche Filter Reset pendant 3 secondes, jusqu'à ce que le témoin lumineux Order (commander) ou Replace (remplacer) s'éteigne.



Préférences de l'utilisateur

Le centre de commande vous permet de régler les préférences de l'utilisateur si désiré.

Affichage de la température (F_C)

Cette préférence vous permet de modifier l'affichage de la température.

F - Température en degrés Fahrenheit

C - Température en degrés Celsius

Alarme (AL)

Cette préférence vous permet de désactiver le son de toutes les alarmes.

ON (marche) – Le son de l'alarme sera audible.

OFF (arrêt) – Le son de l'alarme ne sera pas audible.

Pour accéder au menu des préférences de l'utilisateur :

1. Appuyer sur la touche Door Alarm (alarme de la porte) pendant 3 secondes. Le nom de la préférence apparaît sur l'affichage du congélateur et le statut de la préférence (F/C) ou (ON/OFF) apparaît sur l'affichage du réfrigérateur.
2. Utiliser les touches (+) ou (-) du congélateur pour faire défiler les noms de préférence. Lorsque le nom de la préférence désirée s'affiche, appuyer sur les touches tactiles (+) ou (-) du réfrigérateur pour modifier le statut de la préférence.
3. Enregistrer les préférences en appuyant sur la touche Door alarm (alarme de la porte) pendant 3 secondes ou en fermant la porte du compartiment de réfrigération.

Machine à glaçons

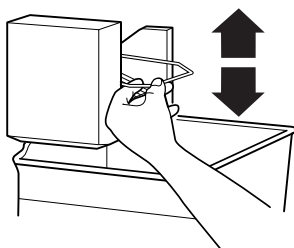
IMPORTANT : Vidanger le système d’approvisionnement en eau avant de mettre en marche la machine à glaçons. Voir “Distributeur d’eau”.

Mise en marche/arrêt de la machine à glaçons

Pour mettre la machine à glaçons en MARCHE, il suffit d’abaisser le bras de commande en broche.

Pour ARRÊTER manuellement la machine à glaçons, soulever le bras de commande en broche à la position OFF (élevée) et attendre le clic.

REMARQUE : Votre machine à glaçons a un arrêt automatique. Au fur et à mesure de la fabrication de la glace, les glaçons remplissent le bac d’entreposage de glaçons. Les glaçons soulèvent le bras de commande en broche à la position OFF (élevée). Ne pas forcer le bras de commande en broche vers le haut ou vers le bas.



REMARQUE : Éteindre la machine à glaçons avant de retirer le bac d’entreposage pour servir des glaçons ou pour nettoyer le bac. Ceci empêchera les glaçons de tomber de la machine à glaçons et dans le compartiment de congélation. Après avoir remplacé le bac d’entreposage, mettre en marche la machine à glaçons.

Taux de production des glaçons

- La machine à glaçons devrait produire une quantité de glaçons complète environ toutes les 3 heures.
- Pour augmenter la production de glaçons, diminuer la température du congélateur et du réfrigérateur. Voir “Utilisation des commandes”. Attendre 24 heures entre les ajustements.

À noter

- Prévoir un délai de 24 heures pour la production du premier lot de glaçons. Prévoir un délai de 3 jours pour le remplissage complet du bac d’entreposage. Jeter les trois premiers lots de glaçons produits.
- La qualité de vos glaçons dépend de la qualité de l’eau fournie à votre machine à glaçons. Éviter de brancher la machine à glaçons à un approvisionnement d’eau adoucie. Les produits chimiques adoucisseurs d’eau (tels que le sel) peuvent endommager des pièces de la machine à glaçons et causer une piètre qualité des glaçons. Si une alimentation d’eau adoucie ne peut pas être évitée, s’assurer que l’adoucisseur d’eau fonctionne bien et qu’il est bien entretenu.
- Ne pas garder quoi que ce soit sur le dessus de la machine à glaçons ou dans le bac à glaçons.

Distributeur d’eau

IMPORTANT :

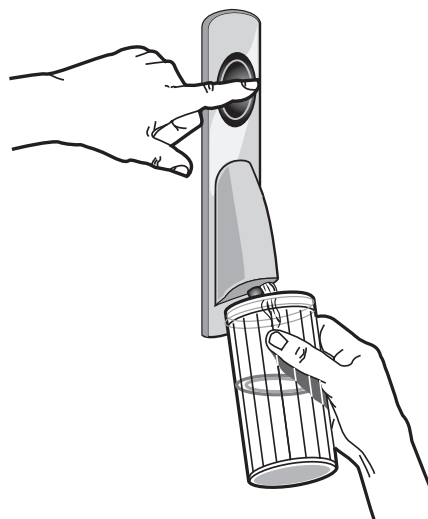
- Après avoir raccordé le réfrigérateur à une source d’alimentation en eau ou remplacé le filtre à eau, vidanger le circuit d’eau. Utiliser un récipient robuste pour appuyer sur le levier du distributeur d’eau pendant 5 secondes, puis relâcher le levier pendant 5 secondes. Répéter l’opération jusqu’à ce que l’eau commence à couler. Une fois que l’eau commence à couler, continuer d’appuyer puis de relâcher le levier du distributeur (appui pendant 5 secondes, relâchement pendant 5 secondes) jusqu’à ce qu’un total de 4 gal. (15 L) soit distribué. Ceci évacue l’air du filtre et du système de distribution d’eau et prépare le filtre à eau pour utilisation. Une vidange supplémentaire peut être nécessaire dans certains domiciles. Pendant l’évacuation de l’air du système, de l’eau peut gicler du distributeur.

REMARQUE : Après cinq minutes de distribution d’eau continue, le distributeur cessera la distribution afin d’éviter une inondation. Pour poursuivre la distribution, appuyer de nouveau sur le bouton du distributeur.

- Accorder 24 heures pour que le réfrigérateur se refroidisse et rafraîchisse l’eau. Puiser une quantité suffisante d’eau chaque semaine pour maintenir un approvisionnement frais.

Distribution d’eau

1. Tenir un récipient sous le distributeur tout en appuyant sur le bouton.
2. Relâcher le bouton pour arrêter la distribution.



Système de filtration de l’eau

Le filtre à eau se situe dans le coin supérieur droit du compartiment de réfrigération.

Ne pas utiliser pour le filtrage d’une eau microbiologiquement polluée ou de qualité inconnue en l’absence d’un dispositif de désinfection adéquat avant ou après le système. Les systèmes certifiés pour la réduction de kyste peuvent être utilisés pour l’eau désinfectée qui peut contenir des kystes filtrables.

IMPORTANT : Le filtre à eau jetable doit être remplacé au moins tous les 6 mois. Si le débit d’eau au distributeur d’eau ou à la machine à glaçons diminue de façon notable avant 6 mois, remplacer le filtre à eau plus souvent.

Remplacement du filtre à eau

Pour acheter des filtres à eau de rechange, modèle UKF8001AXX-750 ou modèle UKF8001AXX-200, contacter votre marchand ou appeler le **1-800-253-1301** aux É.-U. ou le **1-800-807-6777** au Canada.

IMPORTANT : L'air emprisonné dans le système d'eau peut provoquer une expulsion de l'eau et du filtre. Toujours faire couler l'eau pendant au moins 2 minutes avant de retirer le filtre ou le dispositif de décharge bleu.

1. Tourner le filtre dans le sens antihoraire pour le retirer.
2. Retirer l'étiquette de scellement du filtre de rechange et insérer le filtre dans le compartiment du filtre.
3. Tourner le filtre dans le sens horaire jusqu'à la butée. Emboîter le couvercle du filtre pour fermer.
4. Purger le système d'eau. Voir "Distributeur(s) d'eau et de glaçons".

REMARQUE : Le distributeur peut être utilisé sans installer de filtre à eau. L'eau ne sera pas filtrée. Si cette option est choisie, remplacer le filtre par un dispositif de décharge bleu.

ENTRETIEN DU RÉFRIGÉRATEUR

Nettoyage

AVERTISSEMENT



Risque d'explosion

Utiliser un produit de nettoyage ininflammable.

Le non-respect de cette instruction peut causer un décès, une explosion ou un incendie.

Les compartiments de réfrigération et de congélation se dégivrent automatiquement. Toutefois, nettoyer les deux compartiments environ une fois par mois pour éviter une accumulation d'odeurs. Essuyer les renversements immédiatement.

IMPORTANT :

- Comme l'air circule entre les deux compartiments, toutes les odeurs formées dans un compartiment seront transférées à l'autre. Vous devez nettoyer à fond les deux compartiments pour éliminer les odeurs. Pour éviter le transfert d'odeurs et l'assèchement des aliments, envelopper ou recouvrir hermétiquement les aliments.
- Pour les modèles en acier inoxydable, l'acier inoxydable est résistant à la corrosion, mais il n'est pas anticorrosif. Pour éviter la corrosion de l'acier inoxydable, garder les surfaces propres à l'aide des instructions de nettoyage suivantes.

Nettoyage de votre réfrigérateur :

REMARQUE : Ne pas utiliser des nettoyants abrasifs ou puissants tels que les nettoyants à vitre en atomiseurs, nettoyants à récurer, liquides inflammables, acide chlorhydrique, cires nettoyantes, détergents concentrés, agents de blanchiment ou nettoyants contenant du pétrole sur les surfaces extérieures (portes et caisse), les pièces en plastique, les garnitures intérieures et les revêtements de portes intérieures ou les joints de portes. Ne pas utiliser d'essuie-tout, tampons à récurer ou autres outils de nettoyage abrasifs.

1. Débrancher le réfrigérateur ou déconnecter la source de courant électrique.
2. Laver à la main, rincer et sécher les pièces amovibles et les surfaces internes à fond. Utiliser une éponge propre ou un linge doux et un détergent doux dans de l'eau tiède.
3. Nettoyer les surfaces extérieures.

Métal peint : Laver les surfaces métalliques extérieures peintes avec une éponge propre ou un linge doux et un détergent doux dans de l'eau tiède. Rincer les surfaces avec de l'eau propre et tiède et sécher immédiatement pour éviter les éventuelles taches laissées par l'eau.

Acier inoxydable : Laver les surfaces en acier inoxydable avec une éponge propre ou un linge doux et un détergent doux dans de l'eau tiède. Rincer les surfaces avec de l'eau propre et tiède et sécher immédiatement pour éviter les éventuelles taches laissées par l'eau.

REMARQUE : Lors du nettoyage de l'acier inoxydable, essayer toujours dans le sens du grain pour éviter les éraflures.

4. Le condenseur n'a pas besoin d'être nettoyé souvent dans des conditions de fonctionnement normales. Si l'environnement est particulièrement gras, poussiéreux, ou s'il y a des animaux domestiques dans la maison, le condenseur devrait être nettoyé tous les deux ou trois mois pour assurer une efficacité maximum.

Si vous avez besoin de nettoyer le condenseur :

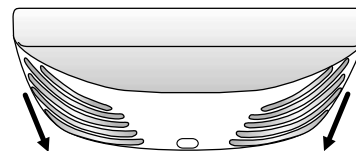
- Retirer la grille de la base.
- Utiliser un aspirateur à brosse douce pour nettoyer la grille, les endroits ouverts derrière la grille et la surface à l'avant du condenseur.
- Replacer la grille de la base lorsqu'on a terminé.

5. Brancher le réfrigérateur ou reconnecter la source de courant électrique.

Remplacement de l'ampoule d'éclairage

IMPORTANT : Les ampoules des compartiments de réfrigération et de congélation du nouveau réfrigérateur sont issues de la technologie DEL. Si les lampes ne s'allument pas lorsqu'on ouvre la porte du réfrigérateur et/ou congélateur, composer les numéros fournis pour assistance ou dépannage. Consulter la garantie pour connaître les numéros de téléphone.

1. Débrancher le réfrigérateur ou déconnecter la source de courant électrique.
2. Retirer le protège-ampoule (sur certains modèles).
 - Sommet du compartiment de réfrigération - Faire glisser le protège-ampoule vers l'arrière du compartiment pour le libérer de l'ensemble d'éclairage.



3. Retirer la/les DEL grillée(s) et la/les remplacer par une ampoule de même taille, forme et puissance.
 - Pour remplacer l'ampoule du compartiment de congélation par une ampoule DEL, commander la pièce numéro W10565137 (3,6 watts).

REMARQUE : Certaines ampoules DEL de rechange ne sont pas recommandées pour des environnements humides/mouillés. Les compartiments de réfrigération et de congélation sont considérés comme des environnements humides/mouillés. Si l'on utilise une marque d'ampoules DEL différente de celle des ampoules recommandées, lire et suivre toutes les instructions de l'emballage des ampoules DEL avant de procéder à l'installation.

 - Si l'on utilise une ampoule à incandescence pour remplacer l'ampoule DEL, utiliser uniquement des ampoules à incandescence pour les appareils ménagers de 40 watts maximum.
4. Réinstaller le protège-ampoule.
5. Brancher le réfrigérateur ou reconnecter la source de courant électrique.

Entretien avant les vacances ou lors d'un déménagement

Vacances

Si l'utilisateur choisit de laisser le réfrigérateur en fonctionnement pendant son absence :

1. Consommer tous les aliments périssables et congeler les autres.
2. Si le réfrigérateur comporte une machine à glaçons automatique et qu'il est raccordé à la source d'approvisionnement en eau du domicile, fermer la source d'approvisionnement en eau du réfrigérateur. Des dommages matériels peuvent subvenir si l'alimentation en eau n'est pas coupée.
3. Si la machine à glaçons est automatique, éteindre la machine à glaçons.

REMARQUE : Selon le modèle, soulever le bras de commande en broche à la position OFF (arrêt) (position élevée), ou placer le commutateur sur OFF.

4. Vider le bac à glaçons.

Modèles avec fonction "Vacances" :

- Activer le mode "Vacances". Voir "Utilisation des commandes".

REMARQUE : L'activation du mode "vacances" ne désactive pas la machine à glaçons.

Si l'utilisateur choisit d'arrêter le fonctionnement du réfrigérateur avant son départ :

1. Enlever tous les aliments du réfrigérateur.
2. Si le réfrigérateur a une machine à glaçons automatique :
 - Fermer l'approvisionnement d'eau de la machine à glaçons au moins une journée à l'avance.
 - Lorsque la dernière quantité de glaçons est déposée, soulever le bras de commande en broche à la position d'ARRÊT (élevée) ou appuyer sur le commutateur à la position OFF (arrêt), selon votre modèle.
3. Vider le bac à glaçons.

4. Éteindre la/les commande(s) de température. Voir "Utilisation de la/des commande(s)".
5. Nettoyer le réfrigérateur, l'essuyer et bien le sécher.
6. À l'aide d'un ruban adhésif, placer des blocs de caoutchouc ou de bois dans la partie supérieure de chaque porte de façon à ce qu'elles soient suffisamment ouvertes pour permettre l'entrée d'air à l'intérieur, afin d'éviter l'accumulation d'odeurs ou de moisissure.

Déménagement

Lorsque l'on déménage le réfrigérateur dans une nouvelle habitation, suivre ces étapes pour préparer le déménagement.

1. Si le réfrigérateur a une machine à glaçons automatique :
 - Fermer l'approvisionnement d'eau de la machine à glaçons au moins une journée à l'avance.
 - Débrancher la canalisation d'eau de l'arrière du réfrigérateur.
 - Lorsque la dernière quantité de glaçons est déposée, soulever le bras de commande en broche à la position OFF (élevée) ou appuyer sur le commutateur à la position OFF (arrêt) selon le modèle.
2. Retirer tous les aliments du réfrigérateur et placer tous les aliments congelés dans de la neige carbonique.
3. Vider le bac à glaçons.
4. Éteindre la/les commande(s) de température. Voir "Utilisation de la/des commande(s)".
5. Débrancher le réfrigérateur.
6. Nettoyer, essuyer et sécher à fond.
7. Retirer toutes les pièces amovibles, bien les envelopper et les attacher ensemble à l'aide de ruban adhésif pour qu'elles ne bougent pas ni ne s'entrechoquent durant le déménagement.
8. Selon le modèle, soulever le devant du réfrigérateur pour qu'il roule plus facilement OU soulever les vis de nivellement pour qu'elles n'égratignent pas le plancher. Voir "Ajustement de la/des porte(s)" ou "Fermeture et alignement de la porte."
9. Fermer les portes à l'aide de ruban adhésif et fixer le cordon d'alimentation électrique au dos du réfrigérateur à l'aide de ruban adhésif.

Lorsque vous arriverez à votre nouvelle habitation, remettez tout en place et consultez la section "Instructions d'installation" pour les instructions de préparation. D'autre part, si votre réfrigérateur a une machine à glaçons automatique, rappelez-vous de raccorder l'approvisionnement d'eau au réfrigérateur.

DÉPANNAGE

Essayer d'abord les solutions suggérées ici. Pour obtenir de l'aide ou des conseils qui permettront peut-être d'éviter une intervention de dépannage, consulter la page de garantie de ce manuel et scanner le code avec votre appareil intelligent, ou consulter le site internet www.whirlpool.com/product_help ou www.whirlpool.ca.

Vous pouvez adresser tous commentaires ou questions par courrier à l'adresse ci-dessous :

Aux États-Unis :

Whirlpool Brand Home Appliances
Customer eXperience Center
553 Benson Road
Benton Harbor, MI 49022-2692

Au Canada :

Whirlpool Brand Home Appliances
Customer eXperience Centre
200 - 6750 Century Ave.
Mississauga ON L5N 0B7

Dans votre correspondance, veuillez indiquer un numéro de téléphone où l'on peut vous joindre dans la journée.

Fonctionnement du réfrigérateur

Le réfrigérateur ne fonctionne pas

AVERTISSEMENT



Risque de choc électrique

Brancher sur une prise à 3 alvéoles reliée à la terre.

Ne pas enlever la broche de liaison à la terre.

Ne pas utiliser un adaptateur.

Ne pas utiliser un câble de rallonge.

Le non-respect de ces instructions peut causer un décès, un incendie ou un choc électrique.

- **Le cordon d'alimentation électrique est-il débranché?** Brancher sur une prise à 3 alvéoles reliée à la terre.
- **La prise électrique fonctionne-t-elle?** Brancher une lampe pour voir si la prise fonctionne.
- **Un fusible est-il grillé ou un disjoncteur s'est-il déclenché?** Remplacer le fusible ou réarmer le disjoncteur. Si le problème persiste, appeler un électricien.
- **Les commandes sont-elles en marche?** S'assurer que les commandes du réfrigérateur sont en marche. Voir "Utilisation de la (des) commande(s)".
- **S'agit-il d'une nouvelle installation?** Accorder 24 heures après l'installation pour que le réfrigérateur se refroidisse complètement.

REMARQUE : Mettre les commandes de la température sur la position la plus froide ne refroidira aucun des compartiments plus rapidement.

Le moteur semble trop tourner

Il se peut que votre nouveau réfrigérateur fonctionne plus longtemps que l'ancien grâce à son compresseur à haute efficacité et ses ventilateurs. L'appareil peut fonctionner plus longtemps encore si la température de la pièce est élevée, si une importante quantité de nourriture y est ajoutée, si les portes sont fréquemment ouvertes ou si elles ont été laissées ouvertes.

Le réfrigérateur semble bruyant

Le bruit des réfrigérateurs a été réduit au cours des années. Du fait de cette réduction, il est possible d'entendre des bruits intermittents venant de votre nouveau réfrigérateur qui n'avaient pas été décelés avec votre ancien modèle. Voici une liste des sons normaux accompagnés d'explications.

- **Bourdonnement** - entendu lorsque le robinet d'arrivée d'eau s'ouvre pour remplir la machine à glaçons
- **Pulsation** - les ventilateurs/le compresseur se règlent afin d'optimiser la performance
- **Sifflement/cliquetis** - écoulement de liquide réfrigérant, mouvement des conduites d'eau ou d'objets posés sur le dessus du réfrigérateur
- **Grésillement/gargouillement** - de l'eau tombe sur l'élément de chauffage durant le programme de dégivrage
- **Bruit d'éclatement** - contraction/expansion des parois internes, particulièrement lors du refroidissement initial
- **Bruit d'écoulement d'eau** - peut être entendu lorsque la glace fond lors du programme de dégivrage et que l'eau s'écoule dans le plateau de dégivrage
- **Grincement/craquement** - se produit lorsque la glace est éjectée du moule à glaçons.

Les portes ne ferment pas complètement

- **La porte est-elle bloquée en position ouverte?** Déplacer les emballages d'aliments pour libérer la porte.
- **Un compartiment ou une tablette bloque-t-il/elle le passage?** Replacer le compartiment ou la tablette en position correcte.

Les portes sont difficiles à ouvrir

AVERTISSEMENT



Risque d'explosion

Utiliser un produit de nettoyage ininflammable.

Le non-respect de cette instruction peut causer un décès, une explosion ou un incendie.

- **Les joints d'étanchéité sont-ils sales ou collants?** Nettoyer les joints et les surfaces de contact au savon doux et à l'eau tiède. Rincer et sécher avec un linge doux.

Température et humidité

La température est trop élevée

- **S'agit-il d'une nouvelle installation?** Accorder 24 heures après l'installation pour que le réfrigérateur se refroidisse complètement.
- **La/Les porte(s) est/sont-elle(s) fréquemment ouverte(s) ou laissée(s) ouverte(s)?** Ceci permet à l'air chaud de pénétrer dans le réfrigérateur. Minimiser les ouvertures de porte et garder les portes complètement fermées.
- **Une importante quantité d'aliments a-t-elle été ajoutée?** Accorder quelques heures pour que le réfrigérateur revienne à sa température normale.
- **Les commandes sont-elles correctement réglées pour les conditions existantes?** Ajuster les commandes un cran plus froid. Vérifier la température au bout de 24 heures. Voir "Utilisation de la (des) commande(s)".

Il y a une accumulation d'humidité à l'intérieur

REMARQUE : Une certaine accumulation d'humidité est normale.

- **La pièce est-elle humide?** Ceci contribue à l'accumulation de l'humidité.
- **La/Les porte(s) est/sont-elle(s) fréquemment ouverte(s) ou laissée(s) ouverte(s)?** Ceci permet à l'air humide de pénétrer dans le réfrigérateur. Minimiser les ouvertures de porte et garder les portes complètement fermées.

Glaçons et eau

La machine à glaçons ne produit pas ou pas suffisamment de glaçons

- **Le réfrigérateur est-il connecté à l'alimentation en eau et le robinet d'arrêt d'eau est-il ouvert?** Brancher le réfrigérateur à l'alimentation en eau et ouvrir le robinet d'arrêt d'eau complètement.
- **La canalisation de la source d'eau du domicile comporte-t-elle une déformation?** Une déformation dans la canalisation peut réduire l'écoulement d'eau. Redresser la canalisation d'eau.
- **La machine à glaçons est-elle allumée?** S'assurer que le bras de commande en broche ou l'interrupteur (selon le modèle) est en position ON (marche).

- **S'agit-il d'une nouvelle installation?** Attendre 24 heures après l'installation pour le commencement de la production de glaçons. Attendre 72 heures pour la production complète de glaçons.
- **La porte du congélateur est-elle complètement fermée?** Bien fermer la porte du compartiment de congélation. Si la porte du compartiment de congélation ne ferme pas complètement, voir "Les portes ne ferment pas complètement" précédemment dans cette section.
- **Une grande quantité de glaçons vient-elle d'être enlevée?** Attendre 24 heures pour que la machine à glaçons produise plus de glaçons.
- **Un glaçon est-il coincé dans le bras éjecteur?** Enlever le glaçon du bras éjecteur avec un ustensile en plastique.
- **Un filtre à eau est-il installé sur le réfrigérateur?** Enlever le filtre et faire fonctionner la machine à glaçons. Si le volume de glace augmente, le filtre est probablement obstrué ou mal installé. Remplacer le filtre ou le réinstaller correctement.
- **Un système de filtration de l'eau à osmose inverse est-il connecté à votre canalisation d'eau froide?** Ceci peut diminuer la pression de l'eau. Voir "Spécifications de l'alimentation en eau".

Les glaçons sont creux ou petits

REMARQUE : Cela indique une faible pression de l'eau.

- **La valve de la canalisation d'eau est-elle complètement ouverte?** Ouvrir la valve d'eau complètement.
- **La canalisation de la source d'eau du domicile comporte-t-elle une déformation?** Une déformation dans la canalisation peut réduire l'écoulement d'eau. Redresser la canalisation d'eau.
- **Un filtre à eau est-il installé sur le réfrigérateur?** Enlever le filtre et faire fonctionner la machine à glaçons. Si la qualité des glaçons augmente, le filtre est probablement obstrué ou mal installé. Remplacer le filtre ou le réinstaller correctement.
- **Un système de filtration de l'eau à osmose inverse est-il connecté à votre canalisation d'eau froide?** Ceci peut diminuer la pression de l'eau. Voir "Spécifications de l'alimentation en eau".
- **Reste-t-il des questions concernant la pression de l'eau?** Appeler un plombier agréé et qualifié.

Mauvais goût, odeur ou couleur grise des glaçons

- **Les raccords de plomberie sont-ils neufs?** Des raccords de plomberie neufs peuvent causer une décoloration et un mauvais goût des glaçons.
- **Les glaçons ont-ils été gardés trop longtemps?** Jeter les glaçons. Laver le compartiment à glaçons. Accorder 24 heures pour la fabrication de nouveaux glaçons.
- **Y a-t-il un transfert d'odeurs de nourriture?** Utiliser des emballages étanches à l'air et à l'humidité pour conserver les aliments.
- **L'eau contient-elle des minéraux (tels que le soufre)?** L'installation d'un filtre peut être requise afin d'enlever les minéraux.
- **Un filtre à eau est-il installé sur le réfrigérateur?** Une décoloration grise ou foncée de la glace indique que le système de filtration de l'eau a besoin d'un rinçage additionnel. Rincer le système de filtration d'eau avant d'utiliser un nouveau filtre. Remplacer le filtre à eau à la date indiquée. Voir "Système de filtration de l'eau".

Le distributeur d'eau ne fonctionne pas correctement

- **Le réfrigérateur est-il connecté à l'alimentation en eau et le robinet d'arrêt d'eau est-il ouvert?** Brancher le réfrigérateur à l'alimentation en eau et ouvrir le robinet d'arrêt d'eau complètement.
- **La canalisation de la source d'eau du domicile comporte-t-elle une déformation?** Redresser la canalisation d'eau.
- **S'agit-il d'une nouvelle installation?** Rincer et remplir le système de distribution d'eau. Voir "Distributeur d'eau".
- **La pression de l'eau est-elle d'au moins 35 lb/po² (241 kPa)?** La pression de l'eau du domicile détermine l'écoulement d'eau du distributeur. Voir "Spécifications de l'alimentation en eau".
- **Un filtre à eau est-il installé sur le réfrigérateur?** Enlever le filtre et faire fonctionner le distributeur. Si l'écoulement d'eau augmente, le filtre est probablement obstrué ou mal installé. Remplacer le filtre ou le réinstaller correctement.
- **La porte du réfrigérateur est-elle bien fermée?** Bien fermer la porte. Si elle ne ferme pas complètement, voir "Les portes ne ferment pas complètement" précédemment dans cette section.
- **Les portes ont-elles été récemment enlevées?** S'assurer que l'assemblage câble/tuyau du distributeur d'eau a été correctement reconnecté. Voir "Porte(s) et tiroir du réfrigérateur".
- **Un système de filtration de l'eau à osmose inverse est-il connecté à votre canalisation d'eau froide?** Ceci peut diminuer la pression de l'eau. Voir "Spécifications de l'alimentation en eau".

L'eau coule du système de distribution

REMARQUE : Il est normal de constater une ou deux gouttes d'eau après la distribution d'eau.

- **Le verre n'a pas été maintenu sous le distributeur assez longtemps?** Maintenir le verre sous le distributeur 2 à 3 secondes après avoir relâché le levier du distributeur.
- **S'agit-il d'une nouvelle installation?** Rincer le système de distribution d'eau. Voir "Distributeur d'eau".

- **Le filtre à eau a-t-il été récemment changé?** Rincer le système de distribution d'eau. Voir "Distributeur d'eau".
- **Trouve-t-on de l'eau sur le sol près de la grille de la base?** S'assurer que les connexions du tuyau du distributeur d'eau sont complètement serrées. Voir "Porte(s) et tiroir du réfrigérateur".

L'eau du distributeur est tiède

REMARQUE : L'eau du distributeur est seulement réfrigérée à 50°F (10°C).

- **S'agit-il d'une nouvelle installation?** Attendre 24 heures après l'installation pour que l'alimentation d'eau refroidisse complètement.
- **Une grande quantité d'eau a-t-elle récemment été distribuée?** Attendre 24 heures pour que l'alimentation d'eau refroidisse complètement.
- **N'a-t-on pas récemment distribué de l'eau?** Le premier verre d'eau peut ne pas être froid. Jeter le premier verre d'eau.
- **Le réfrigérateur est-il branché à l'arrivée d'eau froide?** S'assurer que le réfrigérateur est branché à l'arrivée d'eau froide. Voir "Spécifications de l'alimentation en eau".

FEUILLES DE DONNÉES SUR LA PERFORMANCE

Système de filtration d'eau intérieur Modèle UKF8001AXX-750 /Capacité : 750 gallons (2839 litres)



Système testé et certifié par NSF International selon la norme NSF/ANSI 42, 53, 401 et CSA B483.1 pour la réduction des contaminants spécifiés sur la fiche technique de rendement.

Ce système a été testé selon les normes NSF/ANSI 42, 53, 401 et CSA B483.1 pour la réduction des substances énumérées ci-dessous. La concentration des substances énumérées contenues dans l'eau entrant dans le système a été réduite à une valeur inférieure ou égale à la limite admissible pour l'eau en sortant, comme mentionné par les normes NSF/ANSI 42, 53, 401 et CSA B483.1.

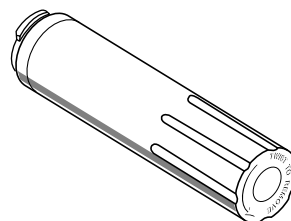
Réd. de substances Effets esthétiques	Critères de réduction NSF	Affluent moyen	Concentration dans l'eau à traiter	Effluent maximal	Effluent moyen	% de réd. minimale	% de réd. moyenne
Goût/odeur de chlore Particules (classe I*)	réduction de 50 % réduction de 85 %	2,00 mg/L 14 000 000 #/mL	2,0 mg/L ± 10 % Au moins 10 000 particules/mL	0,06 mg/L 370 000 #/mL**	0,050625 mg/L 196 666 #/mL	97,00 % 97,40 %	97,52 % 99,00 %
Réduction de contaminant	Critères de réduction NSF	Affluent moyen	Concentration dans l'eau à traiter	Effluent maximal	Effluent moyen	% de réd. minimale	% de réd. moyenne
Plomb : à pH 6,5 Plomb : à pH 8,5	0,010 mg/L 0,010 mg/L	0,150 mg/L [†] 0,150 mg/L [†]	0,15 mg/L ± 10 % 0,15 mg/L ± 10 %	< 0,001 mg/L < 0,001 mg/L	< 0,001 mg/L < 0,001 mg/L	>99,30 % >99,30 %	>99,30 % >99,30 %
Mercuré : à pH 6,5 Mercuré : à pH 8,5	0,002 mg/L 0,002 mg/L	0,006 mg/L 0,0059 mg/L	0,006 mg/L ± 10 % 0,006 mg/L ± 10 %	0,0005 mg/L 0,0018 mg/L	0,0003 mg/L 0,00073 mg/L	91,70 % 69,20 %	95,00 % 88,10 %
Benzène	0,005 mg/L	0,0133 mg/L	0,015 mg/L ± 10 %	0,0005 mg/L	0,0005 mg/L	96,10 %	96,30 %
p-dichlorobenzène	0,075 mg/L	0,210 mg/L	0,225 mg/L ± 10 %	< 0,0005 mg/L	< 0,0005 mg/L	>99,80 %	>99,80 %
Carbofuran	0,040 mg/L	0,0753 mg/L	0,08 mg/L ± 10 %	0,027 mg/L	0,008 mg/L	64,60 %	73,45 %
Toxaphène	0,003 mg/L	0,015 mg/L	0,015 ± 10 %	< 0,001 mg/L	< 0,001 mg/L	>93,3 %	>93,3 %
Atrazine	0,003 mg/L	0,0102 mg/L	0,009 mg/L ± 10 %	0,0027 mg/L	0,00105 mg/L	76,30 %	89,40 %
Amiante	>99 %	126,5 MF/L	10 ⁷ à 10 ⁸ fibres/L ^{††}	<0,17 MF/L	<0,17 MF/L	>99,99 %	>99,99 %
Kystes [‡] Turbidité	>99,95 % 0,5 NTU	122 500 #/L 10,5 NTU	50 000/L min. 11 ± 1 NTU	<1 #/L [‡] 0,30 NTU	<1 #/L [‡] 0,125 NTU	>99,99 % 97,30 %	>99,99 % 98,80 %
Lindane	0,0002 mg/L	0,0019 mg/L	0,002 ± 10 %	< 0,00016 mg/L	0,000035 mg/L	91,80 %	97,90 %
Tétrachloroéthylène	0,005 mg/L	0,015 mg/L	0,015 mg/L ± 10 %	< 0,0005 mg/L	< 0,0005 mg/L	>96,6 %	>96,6 %

Paramètres de test : pH = 7,5 ± 0,5 à moins d'indications contraires. Débit = 0,78 gpm (2,9 Lpm). Pression = 60 lb/po² (413,7 kPa).
Température = 68°F ± 5°F (20°C ± 3°C).

- Il est essentiel que les exigences de fonctionnement, d'entretien et de remplacement de filtre soient respectées pour que ce produit donne le rendement annoncé.
- Le filtre à eau jetable devrait être remplacé au moins tous les 6 mois.
- Le système de contrôle du filtre mesure la quantité d'eau qui passe par le filtre et vous alerte lorsqu'il faut remplacer le filtre. Lorsque 90 % de la vie estimée du filtre sont utilisés, le témoin jaune (Order/commander) s'allume. Lorsque 100 % de la vie estimée du filtre sont utilisés, le témoin rouge (Replace/remplacer) s'allume et il est recommandé de remplacer le filtre. Pour les modèles sans témoin lumineux de l'état du filtre, remplacer le filtre tous les 6 mois. Utiliser un filtre de remplacement UKF8001. Prix suggéré au détail en 2015 de 44,99 \$US/49,95 \$CAN. Les prix sont sujets à des changements sans préavis.
- Le produit ne doit être utilisé que pour l'eau froide.
- Ne pas utiliser pour le filtrage d'une eau microbiologiquement polluée ou de qualité inconnue en l'absence d'un dispositif de désinfection adéquat avant ou après le système. Les systèmes certifiés pour la réduction de kyste peuvent être utilisés pour l'eau désinfectée qui peut contenir des kystes filtrables.
- Veillez vous référer à la section "Système de filtration de l'eau" pour le nom et le numéro de téléphone du fabricant.
- Veillez vous référer à la section "Garantie" pour la garantie limitée du fabricant.

Directives d'application/Paramètres d'approvisionnement en eau

Approvisionnement en eau	Pression d'eau
Pression de l'eau	35 - 120 lb/po ² (241 - 827 kPa)
Température de l'eau	33° - 100°F (1° - 38°C)
Débit nominal	0,78 gpm (2,9 Lpm) à 60 lb/po ²



*Classe I - taille des particules : > 0,5 à <1 µm

**Exigence de test : au moins 100 000 particules/mL (poussière de test fine AC).

[†]Ces contaminants ne sont pas nécessairement présents dans votre approvisionnement d'eau. Le rendement peut varier selon les conditions locales de l'eau.

^{††}Fibres de longueur supérieure à 10 µm

[‡]Cas de la filtration de kystes de *Cryptosporidium parvum*

® NSF est une marque déposée de NSF International.

Système de filtration d'eau

Modèle UKF8001AXX-200/UKF8001 Capacité 200 gallons (757 litres)



Système testé et certifié par NSF International selon la norme NSF/ANSI 42, 53, 401 et CSA B483.1 pour la réduction des contaminants spécifiés sur la fiche technique de rendement.

Ce système a été testé selon les normes NSF/ANSI 42, 53, 401 et CSA B483.1 pour la réduction des substances énumérées ci-dessous. La concentration des substances énumérées contenues dans l'eau entrant dans le système a été réduite à une valeur inférieure ou égale à la limite admissible pour l'eau en sortant, comme mentionné par les normes NSF/ANSI 42, 53, 401 et CSA B483.1.

Réduction concentration - Effets esthétiques	Concentration dans l'eau à traiter	Maximum permissible de concentration dans l'eau	Réduction du pourcentage moyen
Chlore goût/odeur	2,0 mg/L ± 10 %	réduction de 50 %	97,6 %
Particules (classe I*)	Au moins 10 000 particules/mL	réduction de 85 %	98,8 %
Réduction des contaminants	Concentration dans l'eau à traiter	Maximum permissible de concentration dans l'eau	Réduction du pourcentage moyen
Plomb*** : à pH 6,5 / à pH 8,5	0,150 mg/L ± 10 %	0,010 mg/L	99,3 % / 99,3 %
Mercure : à pH 6,5 / à pH 8,5	0,006 mg/L ± 10 %	0,002 mg/L	95,1 % / 95,0 %
Amiante	10 ⁷ à 10 ⁸ fibres/L ^{††}	>99 %	>99 %
Kystes†	50 000/L min.	>99,95 %	99,99 %
Turbidité	11 NTU ± 10 %	0,5 NTU	98,1 %
Atrazine	0,009 mg/L ± 10 %	0,003 mg/L	94,4 %
Benzène	0,015 mg/L ± 10 %	0,005 mg/L	96,6 %
Carbofurane	0,080 mg/L ± 10 %	0,040 mg/L	86,8 %
Lindane	0,002 mg/L ± 10 %	0,0002 mg/L	98,8 %
p-dichlorobenzène	0,225 mg/L ± 10 %	0,075 mg/L	99,7 %
Tétrachloroéthylène	0,015 mg/L ± 10 %	0,005 mg/L	96,0 %
Toxaphène	0,015 mg/L ± 10 %	0,003 mg/L	93,8 %
Aténolol	200 ± 20 %	30 ng/L	>95,9 %
Endrin	0,006 mg/L ± 10%	0,002 mg/L	96,7 %
Éthylbenzène	2,1 mg/L ± 10%	0,7 mg/L	99,9%
O-dichlorobenzène	1,8 mg/L ± 10%	0,6 mg/L	99,9%
2,4 - D	0,210 mg/L ± 10%	0,07 mg/L	97%
Carbamazépine	1400 ± 20 %	200 ng/L	>98,6 %
DEET	1400 ± 20 %	200 ng/L	>98,5 %
Linuron	140 ± 20 %	20 ng/L	>96,8 %
Méprobamate	400 ± 20 %	60 ng/L	94,6 %
Métolachor	1400 ± 20 %	200 ng/L	98,3 %
Triméthoprim	140 ± 20 %	20 ng/L	>96,4 %
Bisphénol A	2000 ± 20 %	300 ng/L	99,4 %
Estrone	140 ± 20 %	20 ng/L	>96,7 %
Nonylphénol	1400 ± 20 %	200 ng/L	>98,9 %
Ibuprofène	400 ± 20 %	60 ng/L	92,9 %
Naproxen	140 ± 20 %	20 ng/L	>96,3 %
Phénytoïne	200 ± 20 %	30 ng/L	>94,8 %

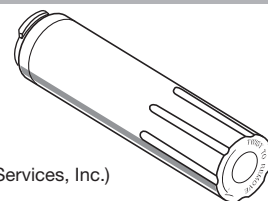
Paramètres de test : pH = 7,5 ± 0,5 à moins d'indication contraire. Débit = 0,78 gpm (2,95 Lpm). Pression = 60 lb/po² (413,7 kPa). Temp. = 68 °F à 71,6 °F (20 °C à 22 °C). Capacité de service nominale = 200 gallons (757 litres).

Les composés certifiés en vertu de la norme NSF 401 sont considérés comme appartenant à la catégorie des « composés émergents/contaminants secondaires ». Les « composés émergents/contaminants secondaires » sont des composés qui ont été détectés à de faibles concentrations dans des sources d'approvisionnement en eau potable; même s'ils n'apparaissent qu'à de faibles concentrations, ces composés peuvent influencer la perception et le niveau d'acceptation de la qualité de l'eau potable par le public.

- Il est important que les critères de fonctionnement, d'entretien et de remplacement du filtre soient respectés pour que le produit donne le rendement annoncé. Des dommages matériels peuvent survenir si toutes les instructions ne sont pas respectées.
- La cartouche jetable doit être changée au moins tous les 6 mois.
- Utiliser le filtre de rechange UKF8001, référence EDR4RXD1/EDR4RXD1B. Prix suggéré au détail en 2015 de 49,99 \$US/49,95 \$CAN. Les prix sont sujets à modification sans préavis.
- Le système de contrôle du filtre mesure la quantité d'eau qui passe par le filtre et vous alerte lorsqu'il faut remplacer le filtre. Consulter les sections « Utilisation des commandes » ou « Système de filtration d'eau » (dans les instructions d'utilisation ou le Guide d'utilisation) pour savoir comment vérifier l'état du filtre à eau.
- Après avoir remplacé le filtre à eau, purger le système d'eau. Voir « Distributeur d'eau et de glaçons » ou « Distributeur d'eau » dans les instructions d'utilisation ou le guide d'utilisation.
- Ces contaminants ne sont pas nécessairement présents dans votre approvisionnement d'eau. Même si le test a été effectué dans des conditions de laboratoires standard, le rendement réel peut varier.
- Le produit doit être utilisé pour l'eau froide seulement.
- Le circuit d'eau doit être installé conformément aux lois et règlements locaux et à ceux de l'État concerné.
- Ne pas utiliser ce produit pour filtrer une eau microbiologiquement polluée ou de qualité inconnue en l'absence d'un dispositif de désinfection adéquat en amont ou en aval du système. Les systèmes certifiés pour la réduction des kystes peuvent être utilisés pour une eau désinfectée susceptible de contenir des kystes filtrables. Étab. EPA n° 10350-MN-005.
- Consulter la section « Garantie » (dans les instructions d'utilisation ou le guide d'utilisation) pour la garantie limitée, le nom et le numéro de téléphone du fabricant.

Directives d'application / Paramètres d'approvisionnement en eau

Alimentation en eau	Eau de ville ou collectivité
Pression de l'eau	35 - 120 lb/po ² (241 - 827 kPa)
Température de l'eau	33° - 100 °F (1° - 38 °C)
Débit de service	0,78 gpm (2,95 L/min) à 60 lb/po ²



*Classe I – taille des particules : >0,5 à <1 µm

***Conforme aux exigences de réduction du plomb de la norme NSF/ANSI Standard 53 (testé par Pace Analytical Services, Inc.)

†Sur la base de la filtration de kystes de *Cryptosporidium parvum*

††Fibres de longueur supérieure à 10 µm

® NSF est une marque déposée de NSF International.

GARANTIE LIMITÉE DES APPAREILS DE RÉFRIGÉRATION WHIRLPOOL®

ATTACHEZ ICI VOTRE REÇU DE VENTE. UNE PREUVE D'ACHAT EST OBLIGATOIRE POUR OBTENIR L'APPLICATION DE LA GARANTIE.

Lorsque vous appelez le centre d'expérience de la clientèle, veuillez garder à disposition les renseignements suivants :

- Nom, adresse et numéro de téléphone
- Numéros de modèle et de série
- Une description claire et détaillée du problème rencontré
- Une preuve d'achat incluant le nom et l'adresse du marchand ou du détaillant

SI VOUS AVEZ BESOIN DE SERVICE :

1. Avant de nous contacter pour obtenir un dépannage, veuillez déterminer si des réparations sont nécessaires pour votre produit. Certains problèmes peuvent être résolus sans intervention de dépannage. Prenez quelques minutes pour parcourir la section Dépannage ou Résolution de problèmes du guide d'utilisation et d'entretien, scannez le code QR ci-contre avec votre téléphone intelligent pour accéder à des ressources supplémentaires, ou rendez-vous sur le site <http://www.whirlpool.ca>.
2. Tout service sous garantie doit être effectué exclusivement par nos fournisseurs de dépannage autorisés Whirlpool. Aux É.-U. et au Canada, dirigez toutes vos demandes de service sous garantie au

Centre d'expérience de la clientèle Whirlpool
Aux É.-U., composer le 1-800-253-1301. Au Canada, composer le 1-800-807-6777.

Si vous résidez à l'extérieur du Canada et des 50 États des États-Unis, contactez votre marchand Whirlpool autorisé pour déterminer si une autre garantie s'applique.



<http://www.whirlpool.ca>

GARANTIE LIMITÉE DE CINQ ANS

CE QUI EST COUVERT

GARANTIE LIMITÉE

Pendant un an à compter de la date d'achat, lorsque ce gros appareil ménager est installé, utilisé et entretenu conformément aux instructions jointes au produit ou fournies avec, Whirlpool Corporation ou Whirlpool Canada LP (ci-après désignées "Whirlpool") décidera à sa seule discrétion de remplacer le produit ou de payer pour les pièces spécifiées par l'usine et la main-d'œuvre nécessaires pour corriger les vices de matériaux ou de fabrication qui existaient déjà lorsque ce gros appareil ménager a été acheté. S'il est remplacé, votre appareil restera sous garantie pour la durée restant à courir de la période de garantie sur le produit d'origine.

GARANTIE LIMITÉE DE LA DEUXIÈME À LA CINQUIÈME ANNÉE INCLUSIVEMENT SUR LA DOUBLURE DE LA CAVITÉ ET SUR LE SYSTÈME DE RÉFRIGÉRATION SCÉLLÉ

De la deuxième à la cinquième année inclusivement à compter de la date d'achat initiale, lorsque ce gros appareil ménager est installé, utilisé et entretenu conformément aux instructions jointes au produit ou fournies avec, la marque Whirlpool paiera pour les pièces de rechange spécifiées par l'usine et la main-d'œuvre concernant les composants suivants pour corriger les défauts non esthétiques de matériau ou de fabrication de ladite pièce qui empêchent le réfrigérateur de fonctionner et qui étaient déjà présents lorsque ce gros appareil ménager a été acheté :

- Doublure de la cavité du réfrigérateur/congélateur si la pièce se fissure en raison d'un vice de matériau ou de fabrication.
- Système de réfrigération scellé (y compris le compresseur, l'évaporateur, le condenseur, le séchoir et les conduits de connexion).

LE SEUL ET EXCLUSIF RECOURS DU CLIENT DANS LE CADRE DE LA PRÉSENTE GARANTIE LIMITÉE CONSISTE EN LA RÉPARATION PRÉVUE PAR LA PRÉSENTE. Le service doit être fourni par une compagnie de service désignée par Whirlpool. Cette garantie limitée est valide uniquement aux États-Unis ou au Canada et s'applique exclusivement lorsque le gros appareil ménager est utilisé dans le pays où il a été acheté. La présente garantie limitée est valable à compter de la date d'achat initial par le consommateur. Une preuve de la date d'achat initial est exigée pour obtenir un dépannage dans le cadre de la présente garantie limitée.

CE QUI N'EST PAS COUVERT

1. Usage commercial, non résidentiel ou par plusieurs familles, ou non-respect des instructions de l'utilisateur, de l'opérateur ou des instructions d'installation.
2. Visite d'instruction à domicile pour montrer à l'utilisateur comment utiliser l'appareil.
3. Visites de service pour rectifier une installation ou un entretien fautifs du produit, une installation non conforme aux codes d'électricité ou de plomberie, ou la rectification de l'installation électrique ou de la plomberie du domicile (ex : câblage électrique, fusibles ou tuyaux d'arrivée d'eau du domicile).
4. Pièces consommables (ex : ampoules, batteries, filtres à air ou à eau, solutions de conservation, etc.).
5. Défauts ou dommage résultant de l'utilisation de pièces ou accessoires Whirlpool non authentiques.
6. Conversion de votre produit du gaz naturel ou du gaz de pétrole liquéfié.
7. Dommages causés par : accident, usage impropre ou abusif, incendie, inondations, catastrophe naturelle ou utilisation de produits non approuvés par Whirlpool.
8. Réparations aux pièces ou systèmes dans le but de rectifier un dommage ou des défauts résultant d'une réparation ou modification non autorisée faite à l'appareil.
9. Défauts d'apparence, notamment les éraflures, traces de choc, fissures ou tout autre dommage subi par le fini de l'appareil ménager, à moins que ces dommages ne résultent de vices de matériaux ou de fabrication et ne soient signalés à Whirlpool dans les 30 jours suivant la date d'achat.
10. Décoloration, rouille ou oxydation des surfaces résultant d'environnements caustiques ou corrosifs incluant des concentrations élevées de sel, un haut degré d'humidité ou une exposition à des produits chimiques (exemples non exhaustifs).
11. Perte d'aliments ou de médicaments due à une défaillance du produit.
12. Enlèvement ou livraison. Ce produit est conçu pour être réparé à domicile.
13. Frais de déplacement ou de transport pour le dépannage/la réparation dans une région éloignée où un fournisseur de services d'entretien ou de réparation Whirlpool autorisée n'est pas disponible.
14. Retrait ou réinstallation d'appareils inaccessibles ou de dispositifs préinstallés (ex : garnitures, panneaux décoratifs, plancher, meubles, îlots de cuisine, plans de travail, panneaux de gypse, etc.) qui entravent le dépannage, le retrait ou le remplacement du produit.
15. Service et pièces pour les appareils dont les numéros de série et de modèle originaux ont été enlevés, modifiés ou ne peuvent pas être facilement identifiés.

Le coût d'une réparation ou d'un remplacement dans le cadre de ces circonstances exclues est à la charge du client.

CLAUSE D'EXONÉRATION DE RESPONSABILITÉ AU TITRE DES GARANTIES IMPLICITES

LES GARANTIES IMPLICITES, Y COMPRIS LES GARANTIES APPLICABLES DE QUALITÉ MARCHANDE OU D'APTITUDE À UN USAGE PARTICULIER, SONT LIMITÉES À UN AN OU À LA PLUS COURTE PÉRIODE AUTORISÉE PAR LA LOI. Certains États et provinces ne permettent pas de limitation sur la durée des garanties implicites de qualité marchande ou d'aptitude à un usage particulier, de sorte que la limitation ci-dessus peut ne pas être applicable dans votre cas. Cette garantie vous confère des droits juridiques spécifiques et vous pouvez également jouir d'autres droits qui peuvent varier d'une juridiction à l'autre.

EXONÉRATION DE RESPONSABILITÉ DANS LES DOMAINES NON COUVERTS PAR LA GARANTIE

Whirlpool décline toute responsabilité au titre de la qualité ou de la durabilité de l'appareil, ou en cas de dépannage ou de réparation nécessaire sur ce gros appareil ménager autre que les responsabilités énoncées dans la présente garantie. Si vous souhaitez une garantie plus étendue ou plus complète que la garantie limitée fournie avec ce gros appareil ménager, adressez-vous à Whirlpool ou à votre détaillant pour obtenir les modalités d'achat d'une garantie étendue.

LIMITATION DES RECOURS; EXCLUSION DES DOMMAGES FORTUITS OU INDIRECTS

LE SEUL ET EXCLUSIF RECOURS DU CLIENT DANS LE CADRE DE LA PRÉSENTE GARANTIE LIMITÉE CONSISTE EN LA RÉPARATION PRÉVUE PAR LA PRÉSENTE. WHIRLPOOL N'ASSUME AUCUNE RESPONSABILITÉ POUR LES DOMMAGES FORTUITS OU INDIRECTS. Certains États et certaines provinces ne permettent pas l'exclusion ou la limitation des dommages fortuits ou indirects de sorte que ces limitations et exclusions peuvent ne pas être applicables dans votre cas. Cette garantie vous confère des droits juridiques spécifiques et vous pouvez également jouir d'autres droits qui peuvent varier d'une juridiction à l'autre.

NOTES

SP PN W10597601B
W10597594C

®/™ ©2016 Whirlpool. Used under license in Canada. All rights reserved.
Usada en Canadá bajo licencia. Todos los derechos reservados.
Utilisé sous licence au Canada. Tous droits réservés.