

DOUBLE DRAWER REFRIGERATOR



FEATURING



PerfectPlaces™ system

The PerfectPlaces™ system with nine storage zones makes this our most flexible refrigerator **EVER**™. Now, your refrigerator adjusts to meet your family's needs. Purposefully designed to help you organize fresh and frozen favorites so you're ready for whatever comes next.



StoreRight™ system

Dual cooling keeps food fresh and helps reduce freezer burn. An advanced dual cooling system keeps food stored in ideal environments by sensing conditions and adjusting humidity levels automatically.



Resource Saver™ system

Panoramic LED lighting is brighter and uses less energy than incandescent bulbs. Now, finding exactly what you are looking for is easier than ever.

Every day, care.™

From the best selling brand in the U.S.A.*

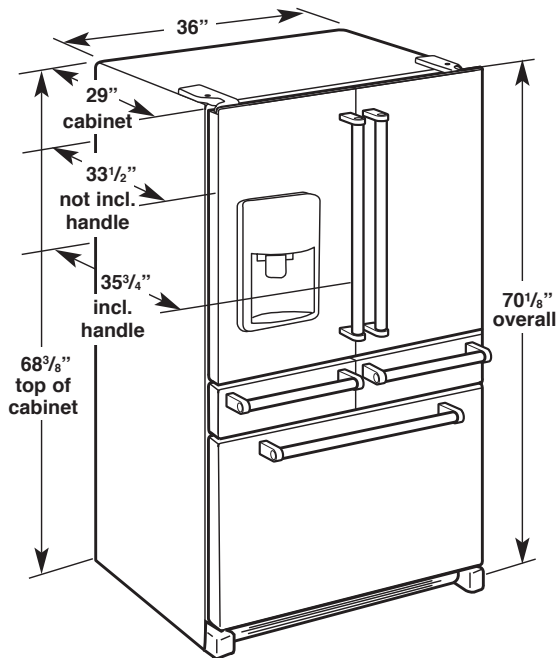
Double Drawer Refrigerator



Available colors



M
Monochromatic
Stainless Steel



WRV986FDEM NEW

26 cu. ft.



PerfectPlaces™ system

- Self-close 5-temperature selection drawer with a thaw setting
- Self-close produce drawer
- Extra full shelf
- Tuck shelf
- Triple crisper with auto-humidity control
- Small items bin
- Gallon door bins
- Two-tier freezer storage
- Pizza pocket



StoreRight™ system

- Dual cooling



Resource Saver™ system

- Panoramic LED lighting



ReadySet™ system

- Dual icemakers



Filtered Ice and Water

EveryDrop™ water filter reduces the most contaminants***
FILTER 2

ACCESSORIES & REPLACEMENT PARTS

FreshFlow™ air filter

W10346771A

EveryDrop™ water filter

FILTER 2

Coolvox™ Kitchen Sound System

WRC36DB



* Based on 12-month average of unit sales. Refrigeration, Cooking, Dishwashers, and Laundry appliances. Traqline, 2014.

**Based on combined refrigerator and freezer storage options and adjustable features

***Based on NSF rated 6 month refrigerator filters flowing .75gpm--80 gpm.