

GAS BUILT-IN COOKTOP OWNER'S MANUAL

MANUEL DU PROPRIÉTAIRE DE LA TABLE DE CUISSON À GAZ ENCASTRÉE

Table of Contents/Table des matières

COOKTOP SAFETY	2	SÉCURITÉ DE LA TABLE DE CUISSON	18
Cooktop Safety	2	Sécurité de la table de cuisson	18
COOKTOP MAINTENANCE AND CARE	4	ENTRETIEN ET RÉPARATION DE LA TABLE DE CUISSON	21
General Cleaning	4	Nettoyage général	21
INSTALLATION INSTRUCTIONS	5	INSTRUCTIONS D'INSTALLATION	22
REQUIREMENTS	5	SPÉCIFICATIONS	22
Tools and Parts	5	Outils et pièces	22
Location Requirements	5	Exigences d'Emplacement	23
Electrical Requirements	7	Spécifications électriques	24
Gas Supply Requirements	7	Spécifications de l'alimentation en gaz	24
INSTALLATION	8	INSTALLATION	26
Install Cooktop	8	Installation de la table de cuisson	26
Make Gas Connection	9	Raccordement au Gaz	26
Complete Installation	11	Achever l'installation	28
GAS CONVERSIONS	11	CONVERSIONS DE GAZ	29
Convert from Natural Gas to Propane Gas	12	Conversion du gaz naturel au propane	30
Convert from Propane Gas to Natural Gas	14	Conversion pour changement de gaz propane au gaz naturel	32
Lighting the Electronic Igniters	16	Allumeurs électroniques – allumage	34
Low Flame Height Adjustment	16	Réglage pour le débit thermique minimum	35
Complete Burner Adjustment	17	Achever le réglage des brûleurs	35
Moving the Cooktop	17	Déplacement de la table de cuisson	35

IMPORTANT:

Installer: Leave installation instructions with the homeowner.

Homeowner: Keep installation instructions for future reference.

IMPORTANT :

Installateur : Remettre les instructions d'installation au propriétaire.

Propriétaire : Conserver les instructions d'installation pour référence ultérieure.

COOKTOP SAFETY

Your safety and the safety of others are very important.

We have provided many important safety messages in this manual and on your appliance. Always read and obey all safety messages.



This is the safety alert symbol.

This symbol alerts you to potential hazards that can kill or hurt you and others.

All safety messages will follow the safety alert symbol and either the word "DANGER" or "WARNING." These words mean:

⚠ DANGER

You can be killed or seriously injured if you don't immediately follow instructions.

⚠ WARNING

You can be killed or seriously injured if you don't follow instructions.

All safety messages will tell you what the potential hazard is, tell you how to reduce the chance of injury, and tell you what can happen if the instructions are not followed.

WARNING: If the information in these instructions is not followed exactly, a fire or explosion may result causing property damage, personal injury or death.

- Do not store gasoline or other flammable vapors and liquids in the vicinity of this or any other appliance.
- **WHAT TO DO IF YOU SMELL GAS**
 - Do not try to light any appliance.
 - Do not touch any electrical switch.
 - Do not use any phone in your building.
 - Immediately call your gas supplier from a neighbor's phone. Follow the gas suppliers instructions.
 - If you cannot reach your gas supplier, call the fire department.
- Installation and service must be performed by a qualified installer, service agency or the gas supplier.

WARNING: Gas leaks cannot always be detected by smell.

Gas suppliers recommend that you use a gas detector approved by UL or CSA.

For more information, contact your gas supplier.

If a gas leak is detected, follow the "What to do if you smell gas" instructions.

⚠ WARNING:

Never Operate the Top Surface Cooking Section of this Appliance Unattended

- Failure to follow this warning statement could result in fire, explosion, or burn hazard that could cause property damage, personal injury, or death.
- If a fire should occur, keep away from the appliance and immediately call your fire department.

DO NOT ATTEMPT TO EXTINGUISH AN OIL/GREASE FIRE WITH WATER.

IMPORTANT: Do not install a ventilation system that blows air downward toward this gas cooking appliance. This type of ventilation system may cause ignition and combustion problems with this gas cooking appliance resulting in personal injury or unintended operation.

In the State of Massachusetts, the following installation instructions apply:

- Installation and repairs must be performed by a qualified or licensed contractor, plumber, or gas fitter qualified or licensed by the State of Massachusetts.
- Acceptable Shut-off Devices: Gas Cocks and Ball Valves installed for use shall be listed.
- A flexible gas connector, when used, must not exceed 4 feet (121.9 cm).

IMPORTANT SAFETY INSTRUCTIONS

WARNING: To reduce the risk of fire, electrical shock, injury to persons, or damage when using the cooktop, follow basic precautions, including the following:

WARNING

NEVER use this appliance as a space heater to heat or warm the room. Doing so may result in carbon monoxide poisoning and overheating of the cooktop.

- **WARNING:** Danger of fire: Do not store items on the cooking surfaces. Never leave anything on the surface when unattended and not in use. Never place flammable or plastic items on or near the surface.
- **CAUTION:** Do not store items of interest to children in cabinets above the cooktop – children climbing on the cooktop to reach items could be seriously injured.
- Do Not Leave Children Alone - Children should not be left alone or unattended in area where appliance is in use. They should never be allowed to sit or stand on any part of the appliance.
- Wear Proper Apparel – Loose-fitting or hanging garments should never be worn while using the appliance.
- User Servicing – Do not repair or replace any part of the appliance unless specifically recommended in the manual. All other servicing should be referred to a qualified technician.
- Do Not Use Water on Grease Fires – Smother fire or flame or use dry chemical or foam-type extinguisher.
- Use Only Dry Potholders – Moist or damp potholders on hot surfaces may result in burns from steam. Do not let potholder touch hot surface units. Do not use a towel or other bulky cloth.
- Never Leave Surface Units Unattended at Higher Heat Settings - Cooking oils and animal fats are flammable, boilover may cause smoking, and greasy spillovers may ignite.
- Glazed Cooking Utensils – Only certain types of glass, glass/ceramic, ceramic, earthenware, or other glazed utensils are suitable for range-top service without breaking due to the sudden change in temperature.
- Utensil Handles Should Be Turned Inward and Not Extend Over Adjacent Surface Units – To reduce the risk of burns, ignition of flammable materials, and spillage due to unintentional contact with the utensil, the handle of a utensil should be positioned so that it is turned inward, and does not extend over adjacent surface units.
- Do not use replacement parts that have not been recommended by the manufacturer (e.g. parts made at home using a 3D printer).
- Clean Cooktop With Caution – If a wet sponge or cloth is used to wipe spills on a hot cooking area, be careful to avoid steam burn. Some cleaners can produce noxious fumes if applied to a hot surface.
- Do Not Heat Unopened Food Containers – Build-up of pressure may cause container to burst and result in injury.
- Proper Installation - The appliance, when installed, must be electrically grounded in accordance with local codes, or in the absence of local codes, with the *National Electrical Code, ANSI/NFPA 70* or the *Canadian Electrical Code, CSA C22.1*. In Canada, the appliance must be electrically grounded in accordance with Canadian Electrical Code. Be sure your appliance is properly installed and grounded by a qualified technician.
- This cooktop is equipped with a three-prong grounding plug for your protection against shock hazard and should be plugged directly into a properly grounded receptacle. Do not cut or remove the grounding prong from this plug.
- Disconnect the electrical supply before servicing the cooktop.
- Injuries may result from the misuse of the cooktop such as stepping, leaning, or sitting on the top surface.
- Maintenance – Keep cooktop area clear and free from combustible materials, gasoline, and other flammable vapors and liquids.
- Top burner flame size should be adjusted so it does not extend beyond the edge of the cooking utensil. This instruction is based on safety considerations.

For units with ventilating hood –

- Clean Ventilating Hoods Frequently – Grease should not be allowed to accumulate on hood or filter.
- When flaming foods under the hood, turn the fan on.

For smart enabled ranges and ovens

- Remote operation – This appliance is configurable to allow remote operation at any time. Do not store any flammable materials or temperature sensitive items inside, on top or near surface units of the appliance.

SAVE THESE INSTRUCTIONS

COOKTOP MAINTENANCE AND CARE

General Cleaning

IMPORTANT: Before cleaning, make sure all controls are off and the cooktop is cool. Always follow label instructions on cleaning products.

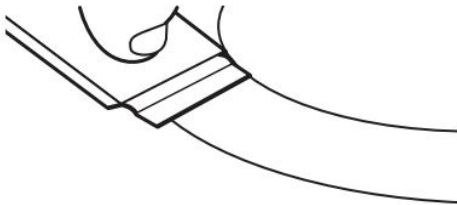
Soap, water, and a soft cloth or sponge are suggested first, unless otherwise noted.

CERAMIC GLASS (on some models)

Cleaning Method:

To avoid damaging the cooktop, do not use steel wool, abrasive powder cleansers, chlorine bleach, rust remover, or ammonia.

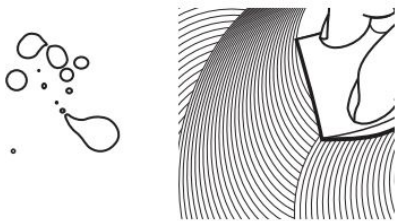
1. Remove food/residue with the Cooktop Scraper.



- For best results, use the Cooktop Scraper while the cooktop is still warm but not hot to the touch. It is recommended to wear an oven mitt while scraping the warm cooktop.
- Hold the Cooktop Scraper at approximately a 45° angle against the glass surface and scrape the residue. It will be necessary to apply pressure in order to remove the residue.

Allow the cooktop to cool down completely before proceeding to Step 2.

2. Apply a few dime-sized drops of affresh®+ Cooktop Cleaner to the affected areas.



- Rub affresh® Cooktop Cleaner onto the cooktop surface with the blue Cooktop Cleaning Pad. Some pressure is needed to remove stubborn stains.
- Allow the cleaner to dry to a white haze before proceeding to Step 3.

3. Polish with a clean, dry cloth or a clean, dry paper towel.



- Repeat steps 1 through 3 as necessary for stubborn or burned-on stains.

The Complete Cooktop Cleaner Kit is available for order including the following:

- Cooktop Scraper
- Affresh® Cooktop Cleaner
- Blue Cooktop Cleaning Pads

Refer to the Quick Start Guide for contact information.

EXTERIOR PORCELAIN ENAMEL SURFACES (on some models)

Food spills containing acids, such as vinegar and tomato, should be cleaned as soon as the cooktop, grates and caps are cool. These spills may affect the finish.

To avoid chipping, do not bang grates and caps against each other or hard surfaces such as cast iron cookware.

Do not reassemble caps on burners while wet.

Do not clean in the Self-Cleaning cycle.

Do not clean in dishwasher.

Cleaning Method:

- Nonabrasive plastic scrubbing pad and mildly abrasive cleanser:

Clean as soon as cooktop, grates and caps are cool.

- Gas Grate and Drip Pan Cleaner (not included):

Refer to the Quick Start Guide for contact information.

STAINLESS STEEL (on some models)

To avoid damage to stainless steel surfaces, do not use soap-filled scouring pads, abrasive cleaners, Cooktop Cleaner, steel wool pads, gritty wash cloths, or abrasive paper towels.

Rub in direction of grain to avoid damaging.

Cleaning Method:

- All-purpose cleaner:

Rinse with clean water and dry with soft, lint-free cloth.

- Affresh® Stainless Steel Cleaner (not included):

Refer to the Quick Start Guide for contact information.

BLACK STAINLESS STEEL (on some models)

To avoid damage to black stainless steel surfaces, do not use soap-filled scouring pads, abrasive or harsh cleaners, any cleaning product containing chlorine bleach, steel wool pads, gritty washcloths, or paper towels.

Cleaning Method:

- Rinse with clean water and dry with soft, lint-free cloth.

- Warm, soapy water - a mild detergent

COOKTOP CONTROLS

To avoid damage to the cooktop controls, do not use steel wool, abrasive cleansers, or oven cleaner.

To avoid damage, do not soak knobs.

When replacing knobs, make sure knobs are in the Off position.

Do not remove seals under knobs.

Cleaning Method:

- Soap and water:
Pull knobs straight away from control panel to remove.
- Dishwasher Safe

CONTROL PANEL

To avoid damage to the control panel, do not use abrasive cleaners, steel wool pads, gritty washcloths or abrasive paper towels.

Cleaning Method:

- Glass cleaner and soft cloth or sponge: Apply glass cleaner to soft cloth or sponge, not directly on panel.
- Affresh® Kitchen and Appliance Cleaner (not included): Order Part Number W10355010

PORCELAIN-COATED GRATES AND CAPS

Food spills containing acids, such as vinegar and tomato, should be cleaned as soon as the cooktop, grates and caps are cool.

These spills may affect the finish.

To avoid chipping, do not bang grates and caps against each other or hard surfaces such as cast iron cookware.

Do not reassemble caps on burners while wet.

Cleaning Method:

- Nonabrasive plastic scrubbing pad and mildly abrasive cleanser:
Clean as soon as cooktop, grates and caps are cool.
- Dishwasher (grates only, not caps):
Use the most aggressive cycle.
- Gas Grate and Drip Pan Cleaner Part Number 31617 (not included):
Refer to the Quick Start Guide for contact information.

SURFACE BURNERS

Sealed Burner models

See the "Sealed Surface Burners" section in the online Control Guide.

SIMMER PLATE (on some models)

Do not clean in dishwasher.

Cleaning Method:

- Liquid detergent and water:
Wipe with damp cloth or sponge then rinse with clean water and wipe dry.
- Mild-abrasive cleanser:
Rub in the direction of the grain lines with a damp cloth.

GRIDDLE (on some models)

To avoid damaging the nonstick surface, do not clean the griddle with abrasive cleaners.

Cleaning Method:

- Use soap and water or mild detergent.

INSTALLATION INSTRUCTIONS REQUIREMENTS

Tools and Parts

Tools Needed

- Tape measure
- Flat-blade screwdriver
- Phillips screwdriver
- 15/16" (24 mm) combination wrench
- Pipe wrench
- Wrench or pliers
- Marker or pencil
- Pipe-joint compound resistant to Propane gas
- Noncorrosive leak-detection solution

Parts Supplied

- Gas pressure regulator
- Burner grates
- Burner caps
- Burner base
- Clamping brackets (2)
- Bracket attachment screws (2)

For Propane/Natural Gas Conversions

Tools Needed

- Flat-blade screwdriver
- T20® TORX®+ screwdriver
- Adjustable wrench
- 7.0 mm nut driver
- Masking tape
- 7.0 mm wrench

Parts Supplied

- Propane orifice package
- Conversion instructions
- Conversion label

Parts needed

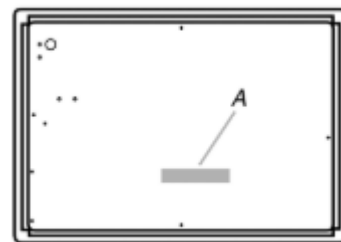
Check local codes and consult gas supplier. Check existing gas supply and electrical supply. See "Electrical Requirements" and "Gas Supply Requirements" sections.

NOTE: Be sure to purchase only Whirlpool factory-certified parts and accessories for your appliance. Your installation may require additional parts. To order, refer to the contact information referenced in your Quick Start Guide.

Location Requirements

IMPORTANT: Observe all governing codes and ordinances. Do not obstruct flow of combustion and ventilation air.

- It is the installer's responsibility to comply with installation clearances specified on the model/serial/rating plate. The model/serial/rating plate is located on the underside of the cooktop base.



A. Model/serial/rating plate

†TORX® and T20® are registered trademarks of Acument Intellectual Properties, LLC.

- The cooktop must be a specified cooktop that is approved to be installed either alone or over an undercounter built-in oven. Check the cooktop base approved installation label for your cooktop model number and approved combinations of cooktops and ovens that can be installed. If you do not find this label, your cooktop may not be approved for use over an undercounter built-in oven. Contact your dealer to confirm that your cooktop is approved.
- Ovens approved for this type of installation will have an approval label located on the top of the oven. If you do not find this label, contact your dealer to confirm that your oven is approved. Refer to oven manufacturer's Installation Instructions for approval for built-in undercounter use and proper cutout dimensions.
- The cooktop should be installed in a location away from strong draft areas, such as windows, doors and strong heating vents or fans.
- All openings in the wall or floor where cooktop is to be installed must be sealed.
- Cabinet opening dimensions that are shown must be used. Given dimensions are minimum clearances.
- Grounded electrical supply is required. See "Electrical Requirements" section. Proper gas supply connection must be available. See "Gas Supply Requirements" section.
- The cooktop is designed to hang from the countertop by its side or rear flanges.
- The gas and electric supply should be located as shown in "Cabinet Dimensions" section so that they are accessible without requiring removal of the cooktop.
- Provide cutout in right rear corner of cutout enclosure as shown to provide clearance for gas inlet, power supply cord, and to allow the rating label to be visible.

IMPORTANT: To avoid damage, check with your builder or cabinet supplier to make sure that the materials used will not discolor, delaminate or sustain other damage.

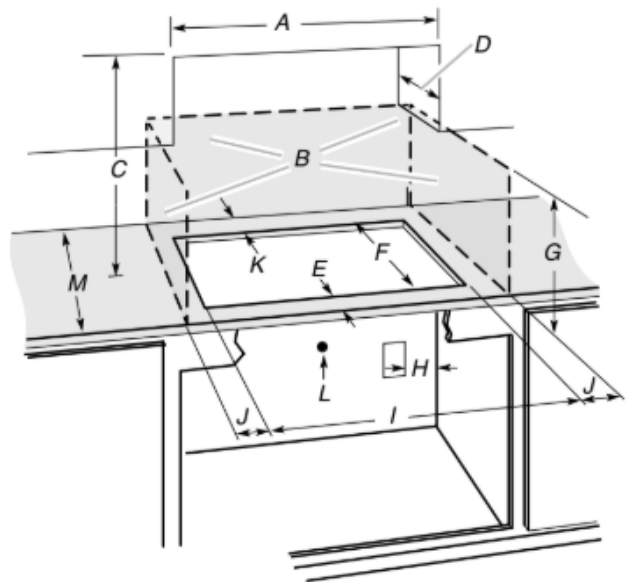
Mobile Home - Additional Installation Requirements

The installation of this cooktop must conform to the Manufactured Home Construction and Safety Standard, Title 24 CFR, Part 3280 (formerly the Federal Standard for Mobile Home Construction and Safety, Title 24, HUD Part 280). When such standard is not applicable, use the Standard for Manufactured Home Installations, ANSI A225.1/NFPA 501A or local codes.

In Canada, the installation of this range must conform with the current standards CAN/CSA-Z240.1, latest edition, or with local codes.

Cabinet Dimensions

IMPORTANT: If installing a range hood or microwave hood combination above the cooktop, follow the range hood or microwave hood combination installation instructions for dimensional clearances above the cooktop surface.



- A. 30" (76.2 cm) on 30" models; 36" (91.4 cm) on 36" models
- B. Combustible area above countertop (shown by dashed box above)
- C. 30" (76.2 cm) minimum clearance between top of cooktop platform and bottom of uncovered wood or metal cabinet (24" [61 cm] minimum clearance if bottom of wood or metal cabinet is covered by not less than 1/4" [6.4 mm] flame retardant millboard covered with not less than No. 28 MSG sheet steel, 0.015" [0.04 mm] stainless steel, or 0.024" [0.06 mm] aluminum or 0.020" [0.05 mm] copper).
- D. 13" (33 cm) recommended upper cabinet depth.
- E. 3 1/8" (7.9 cm)
- F. 19 1/2" (49.5 cm)
- G. 18" (45.7 cm) minimum clearance from upper cabinet to countertop within minimum horizontal clearances to cooktop.
- H. Grounded outlet: locate within 24" (61 cm) of right rear corner of cutout.
- I. 28 7/8" (73.4 cm) on 30" models; 34 5/16" (87.0 cm) on 36" models
- J. For WCGK7530 models, the minimum distance to the left and right side combustable surfaces must be 12 1/2" (31.9 cm) and the minimum total distance between the left and right side combustable surfaces must be 78" (198.1 cm).
For WCGK7036 and WCGK7536 models, the minimum distance to the left or right side combustable surfaces must be 12 7/8" (32.7 cm) and the minimum total distance between left and right side combustable surfaces must be 84" (213.4 cm).
For all other 30" models, the distance must be 8 1/2" (21.6 cm) or more on each side. For all other 36" models, the distance must be 8 7/8" (22.5 cm) or more on each side.
- K. 2 7/8" (7.3 cm) minimum distance to rear combustable surface.
- L. Gas line opening - wall: anywhere 5" (12.7 cm) below underside of countertop. Cabinet floor: anywhere within 6" (15.2 cm) of rear wall is recommended.
- M. 25 1/2" (64.7 cm) minimum countertop depth is required.

NOTE: After making the countertop cutout, some installations may require notching down the base cabinet side walls to clear the cooktop base. To avoid this modification, use a base cabinet with sidewalls wider than the cutout.

If cabinet has a drawer, a 4" (10.2 cm) depth clearance from the countertop to the top of the drawer (or other obstruction) in base cabinet is required. The drawer depth may need to be shortened to avoid interfering with the regulator.

Electrical Requirements

⚠WARNING



Electrical Shock Hazard

- Plug into a grounded 3 prong outlet.**
- Do not remove ground prong.**
- Do not use an adapter.**
- Do not use an extension cord.**
- Failure to follow these instructions can result in death, fire, or electrical shock.**

IMPORTANT: The cooktop must be electrically grounded in accordance with local codes and ordinances, or in the absence of local codes, with the National Electrical Code, ANSI/NFPA 70 or Canadian Electrical Code, CSA C22.1.

This cooktop is equipped with an electronic ignition system that will not operate if plugged into an outlet that is not properly polarized.

If codes permit and a separate ground wire is used, it is recommended that a qualified electrical installer determine that the ground path is adequate.

A copy of the above code standards can be obtained from:

National Fire Protection Association
1 Batterymarch Park
Quincy, MA 02169-7471

CSA International
8501 East Pleasant Valley Road
Cleveland, OH 44131-5575

- A 120 V, 60 Hz, AC only, 15 A, fused electrical circuit is required. A time-delay fuse or circuit breaker is also recommended. It is recommended that a separate circuit serving only this cooktop be provided.
- Electronic ignition systems operate within wide voltage limits, but proper grounding and polarity are necessary. Check that the outlet provides 120 V power and is correctly grounded.
- The wiring diagrams are provided with this cooktop. See the "Wiring Diagrams".

Gas Supply Requirements

⚠WARNING



Explosion Hazard

- Use a new CSA International approved gas supply line.**
- Install a shut-off valve.**
- Securely tighten all gas connections.**
- If connected to propane, have a qualified person make sure gas pressure does not exceed 14" (36 cm) water column.**
- Examples of a qualified person include: licensed heating personnel, authorized gas company personnel, and authorized service personnel.**
- Failure to do so can result in death, explosion, or fire.**

Observe all governing codes and ordinances.

IMPORTANT: This installation must conform with all local codes and ordinances. In the absence of local codes, installation must conform with the National Fuel Gas Code, ANSI Z223.1/NFPA 54 or, in Canada, the Natural Gas and Propane Installation Code, CSA B149.1 - latest edition.

IMPORTANT: Leak testing of the cooktop must be conducted according to the manufacturer's instructions.

Type of Gas

Natural Gas:

This cooktop is factory set for use with Natural gas. If converting to Propane gas, see the following "Propane Gas Conversion" section. The model/serial/rating plate located on the underside of the cooktop base has information on the types of gas that can be used. If the types of gas listed do not include the type of gas available, check with the local gas supplier.

Propane Gas Conversion:

Conversion must be done by a qualified service technician.

No attempt shall be made to convert the cooktop from the gas specified on the model/serial/rating plate for use with a different gas without consulting the serving gas supplier. See the Gas Conversion instructions provided in the package containing literature.

Gas Supply Line

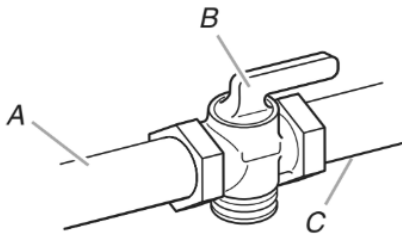
- Provide a gas supply line of 3/4" (19 mm) rigid pipe to the cooktop location. A smaller size pipe on longer runs may result in insufficient gas supply. Pipe-joint compounds that resist the action of Propane gas must be used. Do not use TEFLON[†] tape. With Propane gas, piping or tubing size should be 1/2" (13 mm) minimum. Usually, Propane gas suppliers determine the size and materials used in the system.

Flexible Metal Appliance Connector:

- If local codes permit, use a 1/2" (13 mm) or 3/4" (19 mm) I.D. flexible stainless steel tubing gas connector, designed by CSA to connect the cooktop to the rigid gas supply line.



- A 1/2" (13 mm) male pipe thread is needed for connection to the female pipe threads of the inlet to the cooktop pressure regulator.
- Do not kink or damage the flexible metal tubing when moving the cooktop.
- Must include a shut-off valve:
Install a manual gas line shut-off valve in an easily accessible location. Do not block access to shut-off valve. The valve is for turning on or shutting off gas to the cooktop.



- A. Gas supply line
- B. Shut-off valve "open" position
- C. To range

Gas Pressure Regulator

The gas pressure regulator supplied with this cooktop must be used. The inlet pressure to the regulator should be as follows for proper operation:

Natural Gas:

Minimum pressure: 5" (12.7 cm) WCP, 1.2 kPa (0.17 psi)

Maximum pressure: 7" to 14" (17.8 cm to 35.5 cm) WCP, 1.7 kPa (0.24 psi) to 3.5 kPa (0.50 psi)

Propane Gas:

Minimum pressure: 10" (25.4 cm) WCP, 2.7 kPa (0.39 psi)

Maximum pressure: 14" (35.5 cm) WCP, 3.6 kPa (0.50 psi)

Contact local gas supplier if you are not sure about the inlet pressure.

Burner Input Requirements

Input ratings shown on the model/serial/rating plate are for elevations up to 2,000 ft (609.6 m).

For elevations above 2,000 ft (609.6 m), ratings should be reduced at a rate of 4% for each 1,000 ft (304.8 m) above sea level (not applicable for Canada).

[†]TEFLON[®] is a registered trademark of Chemours.

Gas Supply Pressure Testing

Gas supply pressure for testing regulator must be at least 1" (2.5 cm) (249 Pa) water column pressure above the manifold pressure shown on the model/serial/rating plate.

Line pressure testing above 1/2 psi (3.5 kPa) gauge 14" (35.5 cm) WCP

The cooktop and its individual shutoff valve must be disconnected from the gas supply piping system during any pressure testing of that system at test pressures in excess of 1/2 psi (3.5 kPa).

Line pressure testing at 1/2 psi (3.5 kPa) gauge 14" (35.5 cm) WCP or lower

The cooktop must be isolated from the gas supply piping system by closing its individual manual shut-off valve during any pressure testing of the gas supply piping system at test pressures equal to or less than 1/2 psi (3.5 kPa).

INSTALLATION

Install Cooktop

⚠ WARNING

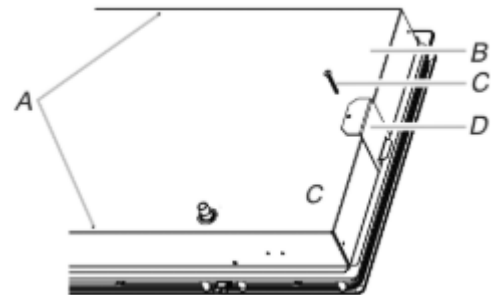
Excessive Weight Hazard

Use two or more people to move and install or uninstall appliance.

Failure to do so can result in back or other injury.

Decide on the final location for the cooktop. Avoid drilling into or severing existing wiring during installation.

1. Determine whether your cabinet construction provides clearance for installing clamping brackets at cooktop base ends. This is the recommended location. Clamping brackets can be installed on the front and back of cooktop base bottom, if necessary.

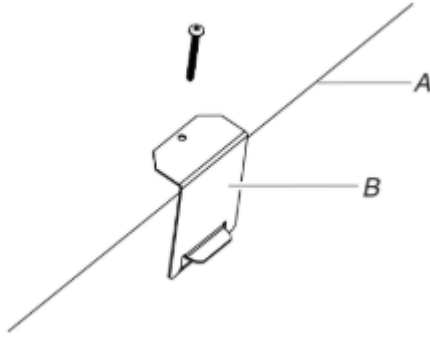


- A. Attachment screw holes for optional front and back location
- B. Cooktop base bottom
- C. Attachment screw
- D. Clamping bracket (end locations recommended)

2. Using 2 or more people, place cooktop right side up into the cutout.

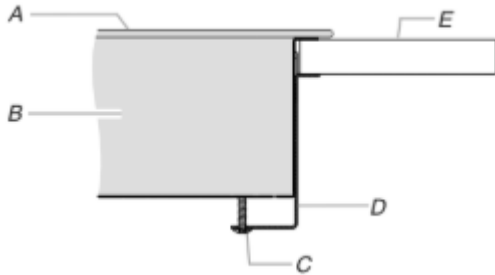
NOTE: Make sure that the front edge of the cooktop is parallel to the front edge of the countertop. If repositioning is needed, lift entire cooktop up from cutout to avoid scratching the countertop.

- Remove the attachment screws for the selected bracket locations from the bottom of the cooktop base.



- A. Attachment screw holes for optional front and back location
- B. Cooktop base bottom

- Attach brackets to cooktop base bottom with bracket attachment screws. Securely tighten screws.



- A. Cooktop
- B. Cooktop base
- C. 2" (5.1 cm) bracket attachment screw
- D. Clamping bracket (extends far enough beyond cooktop base to allow installation of clamping screws)
- E. Countertop

Make Gas Connection

⚠ WARNING



Explosion Hazard

Use a new CSA International approved gas supply line.

Install a shut-off valve.

Securely tighten all gas connections.

If connected to propane, have a qualified person make sure gas pressure does not exceed 14" (36 cm) water column.

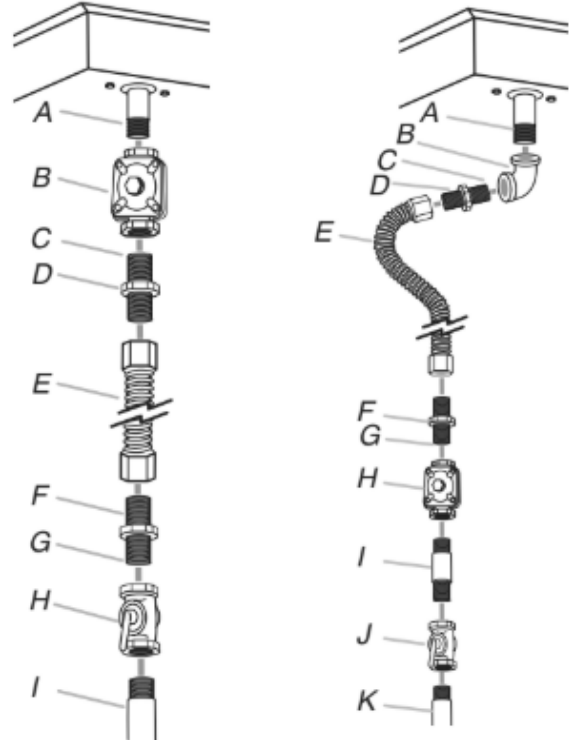
Examples of a qualified person include: licensed heating personnel, authorized gas company personnel, and authorized service personnel.

Failure to do so can result in death, explosion, or fire.

Typical flexible connection

- Apply pipe-joint compound made for use with Natural and propane gas to the smaller thread ends of the flexible connector adapters (see C and G in the following illustration).
- Attach one adapter to the gas pressure regulator and the other adapter to the gas shutoff valve. Tighten both adapters.
- Use a 15/16" (2.4 cm) combination wrench and channel lock pliers to attach the flexible connector to the adapters. Check that connector is not kinked.

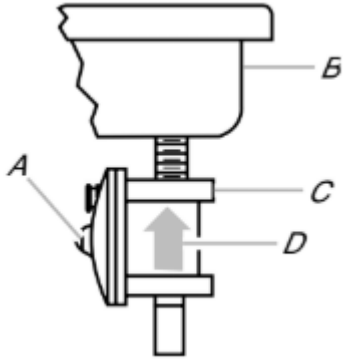
IMPORTANT: All connections must be wrench-tightened. Do not make connections to the gas regulator too tight. Making the connections too tight may crack the regulator and cause a gas leak. Do not allow the regulator to turn when tightening fittings.



- A. Manifold entrance
- B. Gas pressure regulator
- C. Use pipe-joint compound.
- D. Adapter (must have 1/2" (1.3 cm) male pipe thread)
- E. Flexible connector
- F. Adapter
- G. Use pipe-joint compound.
- H. Manual gas shutoff valve
- I. 1/2" (1.3 cm) or 3/4" (1.9 cm) gas pipe

- A. Manifold entrance
- B. 3/4" (1.9 cm) elbow
- C. Use pipe-joint compound.
- D. Adapter (must have 3/8" (9.5 mm) male pipe thread)
- E. Flexible connector (pass through wall between cabinets)
- F. Adapter (must have 3/8" (9.5 mm) male pipe thread)
- G. Use pipe-joint compound.
- H. Appliance pressure regulator (supplied)
- I. 1/2" (1.3 cm) or 3/4" (1.9 cm) gas pipe
- J. Manual gas shutoff valve
- K. 1/2" (1.3 cm) or 3/4" (1.9 cm) gas pipe

4. Install the pressure regulator with the arrow pointing in the direction toward the bottom of the cooktop base and in a position where you can reach the regulator access cap.

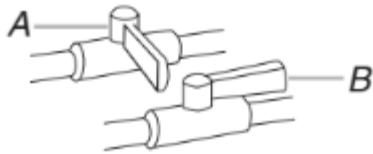


- A. Access cap
- B. Rear of cooktop
- C. Gas pressure regulator
- D. Up arrow. Regulator must be installed with arrow pointing up to cooktop bottom

IMPORTANT: Use only pipe-joint compound made for use with Natural and propane gas. Do not use TEFLON® tape. You will need to determine the fittings required depending on your installation.

Complete Connection

1. Open the manual shutoff valve in the gas supply line. The valve is open when the handle is parallel to the gas pipe.

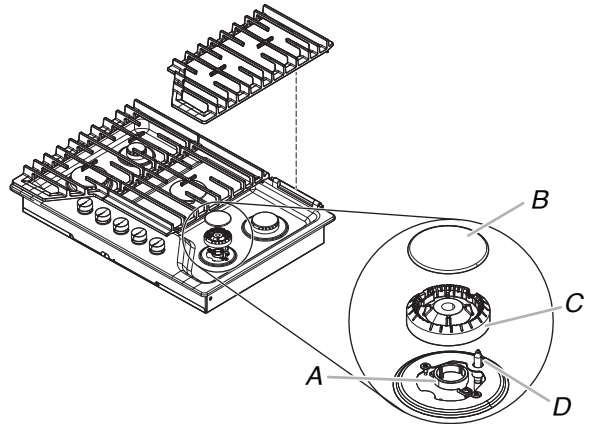


- A. Closed valve
- B. Open valve

2. Test all connections by brushing on an approved noncorrosive leak-detection solution. Bubbles will show a leak. Correct any leak found.

3. Remove surface burner caps, burner base and grates from parts package. Align notches in burner caps with pins in burner base.

Align orifice holder in burner base with igniter electrode. Burner caps should be level when properly positioned. If burner caps are not properly positioned, surface burners will not light. Place burner grates over burners and caps.



- A. Orifice holder
- B. Burner cap
- C. Burner base
- D. Igniter electrode

⚠ WARNING



Electrical Shock Hazard

Plug into a grounded 3 or 4 prong outlet.

Do not remove ground prong.

Do not use an adapter.

Do not use an extension cord.

Failure to follow these instructions can result in death, fire, or electrical shock.

4. Plug into a grounded 3 prong outlet.

Complete Installation

Electronic Ignition System

Initial lighting and gas flame adjustments

Surface burners use electronic igniters in place of standing pilots. When the cooktop control knob is turned to the "IGNITE" position, the system creates a spark to light the burner. This sparking continues, as long as the control knob is turned to "IGNITE".

Check Operation of Surface Burners

Push in and turn the surface burners control knobs to light.

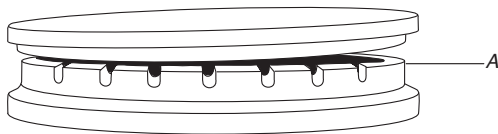
The surface burner flame should light within 4 seconds. The first time a surface burner is lit, it may take longer than 4 seconds to light because of air in the gas line.

Check the flame on "HIGH" for a blue color. It should be clean and soft in character. No yellow tip, blowing or lifting of flame should occur. Occasional orange flashes are normal and reflect different elements in the air or gas.

After verifying the proper burner operation, turn the control knobs to "OFF."

If burners do not light properly:

- Turn surface burner control knob to the "OFF" position.
- Check that the power supply cord is plugged in and the circuit breaker has not tripped or the fuse blown.
- Check that the gas shutoff valve is set to the "open" position.
- Check that burner caps are properly positioned on burner bases.



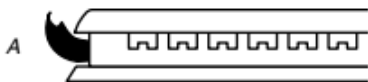
A. Incorrect
B. Correct

Recheck operation of surface burners. If a burner does not light at this point, contact your dealer or authorized service company for assistance.

Check Flame Height

Adjust the height of surface burner flames.

The surface burner low flame should be a steady blue flame approximately 1/4" (6.4 mm) high.



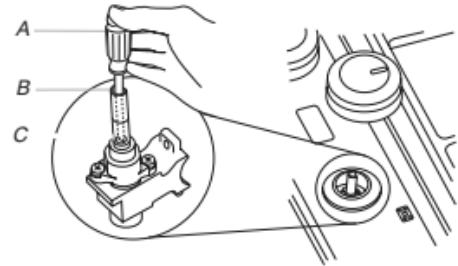
A. Low flame
B. High flame

Adjustment for Single Valve:

1. Set the burner flame to LO.
2. Remove the control knob.

3. Hold knob stem with a pair of pliers. Use a 3/32" (#0 [2 mm]) flat-blade screwdriver to turn the screw located within the shaft of the control knob stem until the flame is the proper size.

Turn adjustment screw "C" to the right to reduce flame height, turn adjustment screw to the left to increase flame height.



- A. 3/32" (#0 [2.0 mm]) flat-blade screwdriver (screwdriver shaft must be a minimum of 2" [5.1 cm] long)
- B. Control knob stem opening
- C. Adjustment screw location

4. Replace the control knob.
5. Test the flame by turning the control from LO to HI, checking the flame at each setting.

IMPORTANT: Dual valve adjustments must be performed by a qualified installer or service agency.

Power failure

In case of prolonged power failure, the surface burners can be lit manually. Hold a lit match near a burner and turn knob counterclockwise to IGNITE/Lite/🔥. After burner lights, turn knob to setting. Do not use a grill or griddle accessory during a power failure as the vent fan will not operate.

GAS CONVERSIONS

IMPORTANT: Gas conversions from Natural gas to Propane gas must be done by a qualified installer. Before proceeding with conversion, shut off the gas supply to the appliance prior to disconnecting the electrical power.

⚠️ WARNING:

This conversion kit shall be installed by a qualified service agency in accordance with the manufacturer's instructions and all applicable codes and requirements of the authority having jurisdiction. If the information in these instructions is not followed exactly, a fire, an explosion or production of carbon monoxide may result causing property damage, personal injury or loss of life. The qualified service agency is responsible for the proper installation of this kit. The installation is not proper and complete until the operation of the converted appliance is checked as specified in the manufacturer's instructions supplied with the kit.

⚠ WARNING



Explosion Hazard

Use a new CSA International approved gas supply line.

Install a shut-off valve.

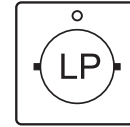
Securely tighten all gas connections.

If connected to propane, have a qualified person make sure gas pressure does not exceed 14" (36 cm) water column.

Examples of a qualified person include: licensed heating personnel, authorized gas company personnel, and authorized service personnel.

Failure to do so can result in death, explosion, or fire.

The gas pressure regulator has two settings that are stamped on either side of the cap. Turn the cap and reinstall into regulator with the stamp "LP" visible from the outside of the regulator.



Style 2: The access cap has a slot in it or a hex shape, without any printed text.

Remove the access cap by using a flat-blade screwdriver or wrench turning the access cap counter clockwise.

If Seven Universe is printed on the regulator, unthread the spring retainer by rotating it counter clockwise. If Maxitrol is printed on the regulator then apply force to the flat side of the spring retainer to remove it.

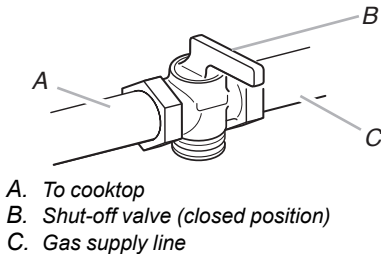
Turn over the spring retainer to place the disk on the spring retainer far from the access cap.

Install the Seven Universe spring retainer by turning it clockwise to thread it fully into the access cap, or for the Maxitrol spring retainer by applying pressure to snap the spring retainer into the access cap.

Reinstall the cap and seal onto the regulator by turning clockwise.

Convert from Natural Gas to Propane Gas

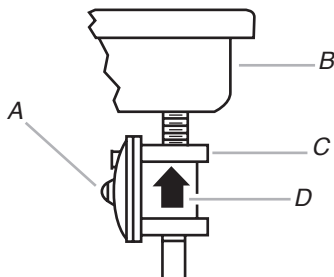
1. Turn manual shut-off valve to the closed position.



- A. To cooktop
- B. Shut-off valve (closed position)
- C. Gas supply line

2. Unplug cooktop or disconnect power.

To Convert Gas Pressure Regulator

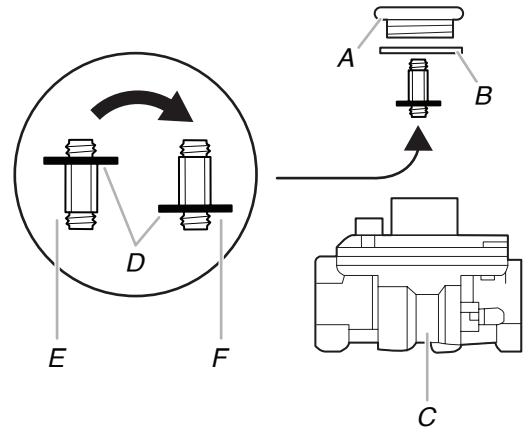


- A. Access cap
- B. Rear of cooktop
- C. Gas pressure regulator
- D. Gas flow

3. Determine the type of regulator you have:

Style 1: The cap has a slot and "NAT" printed on it.

Remove access cap by using a flat-blade screwdriver or coin, turning the access cap counterclockwise.



- A. Access cap
- B. Seal
- C. Regulator
- D. Disk on Spring Retainer
- E. Spring Retainer in Natural Gas Position
- F. Spring Retainer in LP Gas Position

4. Test the gas pressure regulator and gas supply line.
The regulator must be checked at a minimum 1" (2.5 cm) water column above the set pressure. The inlet pressure to the regulator should be as follows for operation and checking the regulator setting:

Propane Gas:

Minimum pressure: 10" (25.4 cm) WCP

Supply pressure: 14" (35.56 cm) WCP

Gas Supply Pressure Testing

Line pressure testing above 1/2 psi (3.5 kPa) gauge 14" (35.5 cm) WCP

The cooktop and its individual shut-off valve must be disconnected from the gas supply piping system during any pressure testing of that system at test pressures in excess of 1/2 psi (3.5 kPa).

Line pressure testing at 1/2 psi (3.5 kPa) gauge 14" (35.5 cm) WCP or lower

The cooktop must be isolated from the gas supply piping system by closing its individual manual shut-off valve during any pressure testing of the gas supply piping system at test pressures equal to or less than 1/2 psi (3.5 kPa).

5. If the burner grates are installed, remove them.

Use the following chart to match the correct gas orifice spud with the burner location and model being converted.

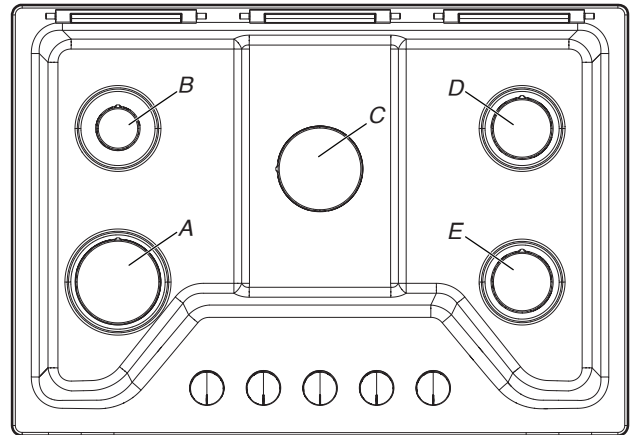
Propane Gas Orifice Spud Chart

Model Family	Burner	Burner Rating (BTU)	Color	Stamp (A)	Size (mm)
WCG-K3030P, WCG-K5030P	Right Front	6500	BLACK	80	0.8
	Left Front	11000	GREEN	100	1
	Right Rear	11000	GREEN	100	1
	Left Rear	4000	RED	60	0.6
	Center	N/A	N/A	N/A	N/A
WCG-K5036P, WCG-K7030P, WCG-K7530P, WCG-K7536P	Right Front	6500	BLACK	80	0.8
	Left Front	11000	GREEN	100	1
	Right Rear	6500	BLACK	80	0.8
	Left Rear	4000	RED	60	0.6
	Center	11000	GREEN	100	1
WCG-K7036P	Right Front	9000	YELLOW	90	0.9
	Left Front	11000	GREEN	100	1
	Right Rear	9000	YELLOW	90	0.9
	Left Rear	4000	RED	60	0.6
	Center	11000	GREEN	100	1



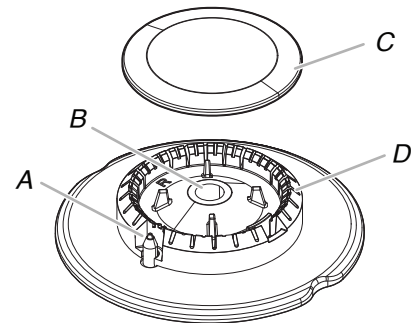
A. Stamp

Burner Locations



- A. Left front
- B. Left rear
- C. Center
- D. Right rear
- E. Right front

6. Remove all burner caps and burner bases (see the Quick Start Guide for burner reference).

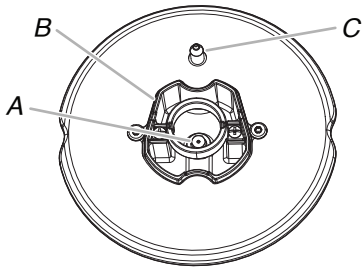


Standard Flame

- A. Igniter electrode
- B. Gas tube opening
- C. Burner cap
- D. Burner base

7. To Convert Standard Burner:

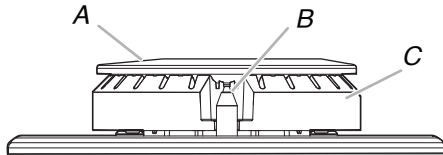
- Use 7.0 mm wrench to loosen and remove the orifice spud (A).
- Set gas orifice spud aside.
- Replace with correct Propane gas orifice spud. See Propane gas orifice spud chart.



A. Orifice spud
B. Orifice spud holder
C. Spark electrode

8. Replace sheet of insulation.
9. Replace burner bases and burner caps.

The igniter electrode is ceramic and could break during conversion. Be sure that the electrode comes through the hole in the burner smoothly while you are replacing the burner base.



A. Burner cap
B. Electrode
C. Burner base

10. Open shutoff valve in the gas supply line. The valve is open when the handle is parallel to the gas pipe.

⚠ WARNING

Electrical Shock Hazard

Plug into a grounded 3 prong outlet.

Do not remove ground prong.

Do not use an adapter.

Do not use an extension cord.

Failure to follow these instructions can result in death, fire, or electrical shock.

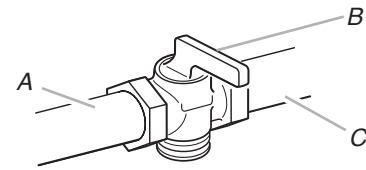
11. Plug in cooktop or reconnect power.

REMEMBER: Once you have completed converting all of the cooktop burners, test the cooktop for leaks by brushing on an approved noncorrosive leak-detection solution. If bubbles appear, a leak is indicated. Correct any leaks found.

12. To adjust single and dual valves, see the “Complete Installation” section.

Convert from Propane Gas to Natural Gas

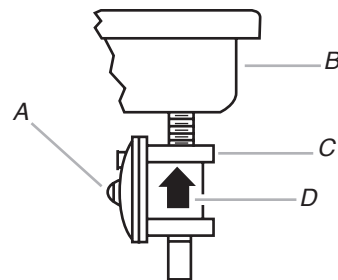
1. Turn manual shut-off valve to the closed position.



A. To cooktop
B. Shut-off valve (closed position)
C. Gas supply line

2. Unplug cooktop or disconnect power.

To Convert Gas Pressure Regulator



A. Access cap C. Gas pressure regulator
B. Rear of cooktop D. Gas flow

3. Determine the type of regulator you have:

Style 1: The cap has a slot and “LP” printed on it.

Remove access cap by using a flat-blade screwdriver or coin, turning the access cap counterclockwise.

The gas pressure regulator has two settings which are stamped on either side of the cap. Turn the cap and reinstall into regulator with the stamp “NAT” visible from the outside of the regulator.



Style 2: The access cap has a slot in it or a hex shape, without any printed text.

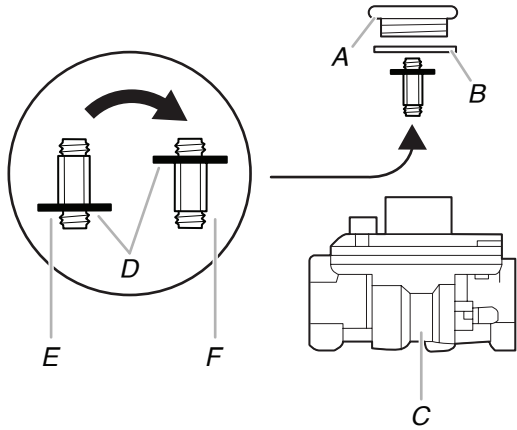
Remove the access cap by using a flat-blade screwdriver or wrench turning the access cap counter clockwise.

If Seven Universe is printed on the regulator, unthread the spring retainer by rotating it counter clockwise. If Maxitrol is printed on the regulator then apply force to the flat side of the spring retainer to remove it.

Turn over the spring retainer to place the disk on the spring retainer close to the access cap.

Install the Seven Universe spring retainer by turning it clockwise to thread it fully into the access cap, or for the Maxitrol spring retainer by applying pressure to snap the spring retainer into the access cap.

Reinstall the cap and seal onto the regulator by turning clockwise.



- A. Access cap
- B. Seal
- C. Regulator
- D. Disk on Spring Retainer
- E. Spring Retainer in LP Gas Position
- F. Spring Retainer in Natural Gas Position

4. If the burner grates are installed, remove them.
5. If they are installed, remove the burner grates.

Use the following chart to match the correct gas orifice spud with the burner location and model being converted.

Natural Gas Orifice Spud Chart

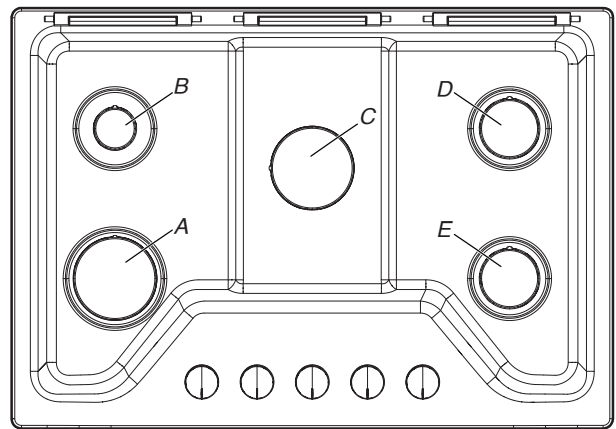
Model Family	Burner	Burner Rating (BTU)	Color	Stamp (A)	Size (mm)
WCG-K3030P, WCG-K5030P	Right Front	9100	BLUE	130	1.30
	Left Front	12000	RED	150	1.5
	Right Rear	18000	BLACK	188	1.88
	Left Rear	5000	GREEN	96	0.96
	Center	N/A	N/A	N/A	N/A
WCG-K5036P, WCG-K7030P, WCG-K7530P, WCG-K7536P	Right Front	9100	BLUE	130	1.30
	Left Front	12000	RED	150	1.5
	Right Rear	9100	BLUE	130	1.30
	Left Rear	5000	GREEN	96	0.96
	Center	18000	BLACK	188	1.88

Model Family	Burner	Burner Rating (BTU)	Color	Stamp (A)	Size (mm)
WCG-K7036P	Right Front	11000	ORANGE	143	1.43
	Left Front	12000	RED	150	1.5
	Right Rear	11000	ORANGE	143	1.43
	Left Rear	5000	GREEN	96	0.96
	Center	18000	BLACK	188	1.88



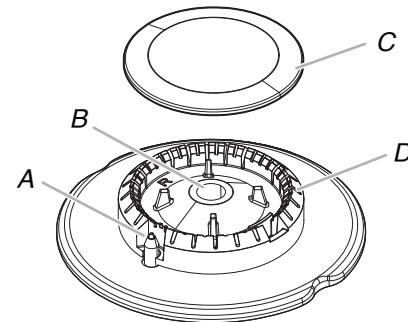
A. Stamp

Burner locations



- A. Left front
- B. Left rear
- C. Center
- D. Right rear
- E. Right front

6. Remove all burner caps and burner bases (see the Quick Start Guide for burner reference).

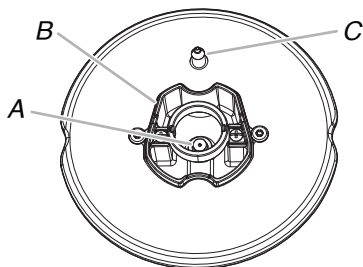


Standard Flame

- A. Igniter electrode
- B. Gas tube opening
- C. Burner cap
- D. Burner base

7. To Convert Standard Burner:

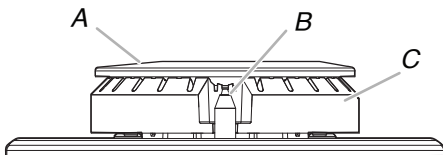
- Use 7.0 mm wrench to loosen and remove the orifice spud (A).
- Set gas orifice spud aside.
- Replace with correct Natural gas orifice spud. See Natural gas orifice spud chart.



A. Orifice spud
 B. Orifice spud holder
 C. Spark electrode

8. Replace sheet of insulation.
 9. Replace burner bases and burner caps.

The igniter electrode is ceramic and could break during conversion. Be sure that the electrode comes through the hole in the burner smoothly while you are replacing the burner base.



A. Burner cap
 B. Electrode
 C. Burner base

10. Open shutoff valve in the gas supply line. The valve is open when the handle is parallel to the gas pipe.

⚠ WARNING

Electrical Shock Hazard

Plug into a grounded 3 prong outlet.

Do not remove ground prong.

Do not use an adapter.

Do not use an extension cord.

Failure to follow these instructions can result in death, fire, or electrical shock.

11. Plug in cooktop or reconnect power.

REMEMBER: Once you have completed converting all of the cooktop burners, test the cooktop for leaks by brushing on an approved noncorrosive leak-detection solution. If bubbles appear, a leak is indicated. Correct any leaks found.

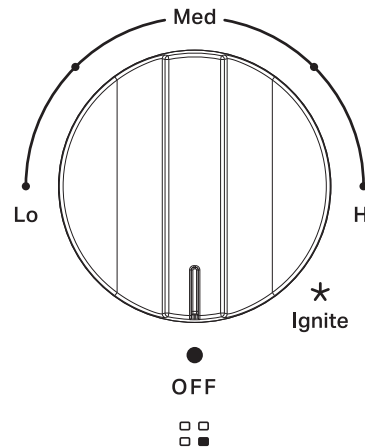
12. To adjust single and dual valves, see the “Complete Installation” section.

Lighting the Electronic Igniters

The cooktop burners use electronic igniters in place of standing pilots. When the cooktop control knob is pushed in and turned to ★ Ignite, the system creates a spark to light the burner. This sparking continues until the control knob is turned to the desired setting.

To Check Operation of the Cooktop Burners:

1. Push in and turn knobs to ★ Ignite. The cooktop burner flame should light within 4 seconds. The first time a burner is lit, it may take longer than 4 seconds to light because of air in the gas line. Do not leave the knob in the ★ Ignite position after burner lights.



2. If burners do not light properly, turn the control knob to OFF. Make sure the burner cap is in the proper position.
3. Check that the power supply cord is plugged in and circuit breaker has been tripped or household fuse has not blown.
4. Check that the shut-off valve is in the on position.
5. Check burner operation again.

If one or all of the burners do not light at this point, refer to your Quick Start Guide for contact information.

Low Flame Height Adjustment

Each burner flame has been factory set to the lowest position available to provide reliable and constant reignition of the burner. However, each burner can be adjusted.

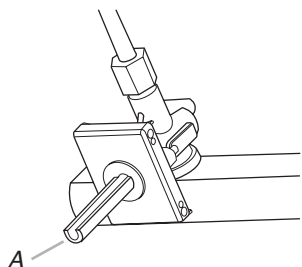
To Adjust:

1. After lighting, push in and turn each control knob to the Lo position.
2. If the burner does not stay lit on Lo, turn the control knob to ★ Ignite until the burner lights.
3. Quickly turn the control knob down to Lo.

If the burner goes out after adjusting, readjust the valve.

To Readjust Valve:

1. Remove control knob(s).
2. Insert a flat-blade screwdriver into the hollow valve stem and engage the slotted screw.



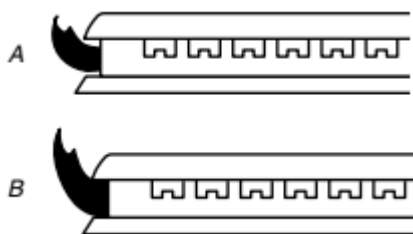
A. Valve stem on standard burner

3. The flame size can be increased or decreased by turning the screw. Adjust flame until you can quickly turn the control knob from the Hi to Lo position without extinguishing the flame. The flame should be as small as possible without going out.

NOTE: For higher altitudes, no further burner adjustments are necessary.

Complete Burner Adjustment

1. Check burner flame(s) for proper size and shape. The cooktop low burner flame should be a steady blue flame approximately 1/4" (6.4 mm) high.



A. Low flame

B. High flame

2. Completely fill out the conversion label and attach label to bottom of the cooktop next to the rating tag. Do not cover the rating tag with the conversion label.

IMPORTANT:

Place gas orifice spuds in plastic parts bag for future use and keep with package containing literature.

Read "Sealed Surface Burners" section in the Online Control Guide.

Moving the Cooktop

⚠ WARNING



Electrical Shock Hazard

Disconnect power before servicing.

Failure to do so can result in death or electrical shock.

⚠ WARNING



Explosion Hazard

Use a new CSA International approved gas supply line.

Install a shut-off valve.

Securely tighten all gas connections.

If connected to propane, have a qualified person make sure gas pressure does not exceed 14" (36 cm) water column.

Examples of a qualified person include: licensed heating personnel, authorized gas company personnel, and authorized service personnel.

Failure to do so can result in death, explosion, or fire.

⚠ WARNING

Excessive Weight Hazard

Use two or more people to move and install or uninstall appliance.

Failure to do so can result in back or other injury.

If removing the cooktop is necessary for cleaning or maintenance:

1. Disconnect Power.
2. Shut gas line off.
3. Disconnect the flexible stainless steel connector.
4. Unscrew mounting brackets.
5. Using two or more people, place the cooktop on a covered surface.
6. Complete cleaning or maintenance.
7. Reinstall cooktop using the "Install Cooktop" section of your Owner's Manual.

SÉCURITÉ DE LA TABLE DE CUISSON

Votre sécurité et celle des autres sont très importantes.

Nous donnons de nombreux messages de sécurité importants dans ce manuel et sur votre appareil. Assurez-vous de toujours lire tous les messages de sécurité et de vous y conformer.



Voici le symbole d'alerte de sécurité.

Ce symbole d'alerte de sécurité vous signale les dangers potentiels de décès et de blessures graves.

Tous les messages de sécurité suivront le symbole d'alerte de sécurité et le mot « DANGER » ou « AVERTISSEMENT ». Ces mots signifient :

⚠ DANGER

Risque possible de décès ou de blessure grave si vous ne suivez pas immédiatement les instructions.

⚠ AVERTISSEMENT

Risque possible de décès ou de blessure grave si vous ne suivez pas les instructions.

Tous les messages de sécurité vous diront quel est le danger potentiel, comment réduire le risque de blessure et ce qui peut se produire en cas de non-respect des instructions.

AVERTISSEMENT : Le non-respect à la lettre de ces instructions peut causer un incendie ou une explosion, qui pourrait entraîner des dommages matériels, des blessures ou la mort.

- Ne pas remiser de l'essence ou tout autre liquide ou vapeur inflammable à proximité de cet appareil ou de tout autre appareil.
- QUE FAIRE EN CAS DE DÉTECTION D'UNE ODEUR DE GAZ
 - Ne pas tenter d'allumer un quelconque appareil.
 - Ne toucher aucun interrupteur électrique.
 - N'utiliser aucun téléphone dans votre immeuble.
 - Appeler immédiatement le fournisseur de gaz à partir d'un poste téléphonique voisin. Suivre les instructions du fournisseur de gaz.
 - Si le fournisseur de gaz n'est pas joignable, appeler les pompiers.
- L'installation et la réparation doivent être effectuées par un installateur ou une entreprise de réparation ayant les qualifications requises ou par le fournisseur de gaz.

AVERTISSEMENT : Les fuites de gaz ne peuvent pas toujours être détectées à l'odorat.

Les fournisseurs de gaz recommandent d'utiliser un détecteur de gaz approuvé UL ou CSA.

Pour plus d'informations, contacter votre fournisseur de gaz.

Si une fuite de gaz est détectée, suivre les instructions de la section « Que faire en cas de détection d'une odeur de gaz ».

 **AVERTISSEMENT :**

Ne jamais faire fonctionner la surface de cuisson de la partie supérieure de cet appareil sans surveillance.

- **Ne pas respecter cet énoncé de mise en garde peut provoquer un risque d'incendie, d'explosion ou de brûlure pouvant causer des dommages à la propriété, des blessures ou un décès.**
- **Si un incendie se produit, rester à distance de l'appareil et appeler immédiatement les pompiers.**

NE PAS TENTER D'ÉTEINDRE UN FEU D'HUILE OU DE GRAISSE AVEC DE L'EAU.

IMPORTANT : Ne pas installer un système de ventilation avec évacuation de l'air vers le bas, qui évacuerait l'air vers cet appareil de cuisson à gaz. Ce type de système de ventilation peut causer des problèmes d'allumage et de combustion avec cet appareil de cuisson et entraîner des blessures corporelles ou le fonctionnement non désiré de cet appareil.

Dans l'État du Massachusetts, les instructions d'installation suivantes sont applicables :

- Les travaux d'installation et réparation doivent être exécutés par un plombier ou monteur d'installations au gaz qualifié ou licencié, ou par le personnel qualifié d'une entreprise licenciée par l'État du Massachusetts.
- Dispositifs de fermeture acceptables : Les robinets de gaz et robinets à bille installés pour l'utilisation doivent être indiqués.
- Si un raccord flexible de gaz est utilisé, il ne doit pas dépasser 4 pi (121,9 cm).

IMPORTANTES INSTRUCTIONS DE SÉCURITÉ

AVERTISSEMENT : Afin de réduire le risque d'incendie, de décharge électrique ou de blessures corporelles lors de l'utilisation de la table de cuisson, il convient d'observer certaines précautions fondamentales, notamment :

NE JAMAIS

utiliser cet appareil comme dispositif de chauffage de la pièce. Le non-respect de cette instruction peut entraîner une intoxication au monoxyde de carbone et une surchauffe de la table de cuisson.

- **AVERTISSEMENT :** Risque d'incendie : Ne pas ranger d'objets sur les surfaces de cuisson. Ne jamais rien laisser sur la surface lorsqu'elle est laissée sans surveillance et qu'elle n'est pas utilisée. Ne jamais placer d'objets inflammables ou en plastique sur ou à proximité de la surface.
 - **ATTENTION :** Ne pas entreposer de produits d'intérêt pour les enfants dans les placards au-dessus d'une table de cuisson – Les enfants grimpaient sur la table de cuisson pour attraper ces objets pourraient gravement se blesser.
 - Ne pas laisser les enfants seuls – Les enfants ne doivent pas être laissés seuls ou sans surveillance dans la zone où l'appareil est utilisé. Ils ne doivent jamais être autorisés à s'asseoir ou à se tenir debout sur une partie quelconque de l'appareil.
 - Porter des vêtements adaptés – Les vêtements pendants ou non ajustés ne doivent jamais être portés lorsqu'on utilise l'appareil.
 - Entretien par l'utilisateur – Ne pas réparer ou remplacer une quelconque pièce de l'appareil sans recommandation spécifique du manuel. Toutes les autres tâches d'entretien doivent être effectuées par un technicien qualifié.
 - Ne pas utiliser d'eau sur les feux de friture – Éteindre le feu ou la flamme ou utiliser un extincteur avec agent chimique sec ou mousseux.
 - Utiliser uniquement des mitaines sèches – Les mitaines humides ou trempées sur les surfaces chaudes peuvent provoquer des brûlures dues à la vapeur. Ne pas laisser les mitaines toucher des éléments chauffants et chauds. Ne pas utiliser un chiffon ou tout autre tissu encombrant.
 - Ne jamais laisser les surfaces de cuisson sans surveillance à des réglages de chaleur élevée – Les huiles de cuisson et les graisses animales sont inflammables, l'ébullition peut provoquer des fumées et les débordements gras peuvent s'enflammer.
 - Ustensiles de cuisson émaillés – seuls certains types d'ustensiles en verre, vitrocéramique, céramique, terre cuite ou autre émaillage peuvent être utilisés sur la surface de la cuisinière sans briser en raison du changement de température soudain.
 - Les poignées des ustensiles doivent être tournées vers l'intérieur et ne doivent pas dépasser au-dessus des unités de surface de cuisson – Pour éviter le risque de brûlures, d'inflammation des matières inflammables et d'éclaboussures dues à un contact non intentionnel avec l'ustensile, la poignée d'un ustensile doit toujours être positionnée vers l'intérieur et ne doit pas dépasser au-dessus des surfaces de cuisson adjacentes.
 - Ne pas utiliser de pièces de remplacement qui n'ont pas été recommandées par le fabricant (c.-à-d., des pièces fabriquées à la maison à l'aide d'une imprimante 3D).
 - Nettoyer la table de cuisson avec précaution – Si une éponge ou un linge humide est utilisé pour nettoyer les éclaboussures sur une zone de cuisson chaude, faire attention aux brûlures dues à la vapeur. Certains nettoyants peuvent produire des fumées toxiques si appliqués sur une surface chaude.
 - Ne pas faire chauffer un contenant qui n'a pas été ouvert – L'accumulation de pression pourrait faire éclater le contenant et causer des blessures.
 - Installation conforme – L'appareil, lors de son installation, doit être correctement relié à la terre en conformité avec les codes locaux en vigueur, ou en l'absence de tels codes, avec le *National Electrical Code, ANSI/NFPA 70* ou le Code canadien des installations électriques, *CSA C22.1*. Au Canada, l'appareil doit être relié à la terre en respectant le Code canadien de l'électricité. S'assurer que l'appareil est bien installé et que la mise à la terre est réalisée par un technicien qualifié.
 - Cette table de cuisson est équipée d'une fiche de mise à la terre à trois broches pour votre protection contre les décharges électriques et doit être branchée directement à une prise correctement mise à la terre. Ne coupez pas ou n'enlevez pas la broche de mise à la terre de la fiche.
 - Déconnecter la source de courant électrique avant d'intervenir sur la table de cuisson.
 - Des blessures peuvent résulter d'un mauvais usage de la table de cuisson – par exemple marcher, s'appuyer ou s'asseoir sur la table de cuisson.
 - Entretien – Maintenir la zone de la table de cuisson à l'abri des matériaux combustibles, essence ou autres vapeurs ou liquides inflammables.
 - La taille de la flamme du brûleur supérieur doit être ajustée de façon à ne pas dépasser du bord de l'ustensile de cuisson. Cette instruction est basée sur des considérations de sécurité.
- Pour les appareils avec hotte de ventilation –**
- Nettoyer régulièrement les hottes de ventilation – Ne pas laisser la graisse s'accumuler dans la hotte ou le filtre.
 - Lorsque des aliments sont flambés sous la hotte, mettre le ventilateur en marche.
- Pour les cuisinières et fours intelligents**
- Utilisation à distance – cet appareil peut être configuré pour permettre l'utilisation à distance en tout temps. Ne pas ranger de matériaux inflammables ou sensibles à la température sur le dessus ou près de la surface de l'appareil.

CONSERVER CES INSTRUCTIONS

ENTRETIEN ET RÉPARATION DE LA TABLE DE CUISSON

Nettoyage général

IMPORTANT : Avant le nettoyage, s'assurer que toutes les commandes sont désactivées et que le four est froid. Toujours suivre les instructions figurant sur les étiquettes des produits de nettoyage.

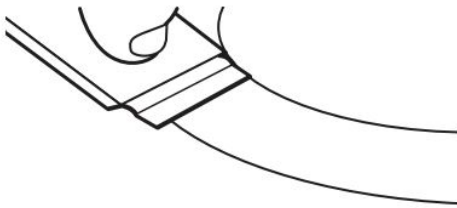
L'usage de savon, d'eau et d'un chiffon doux ou d'une éponge est suggéré en priorité, sauf indication contraire.

VITROCÉRAMIQUE (sur certains modèles)

Méthode de nettoyage :

Afin d'éviter d'endommager la table de cuisson, ne pas utiliser de laine d'acier, de nettoyeurs en poudre abrasifs, d'eau de Javel, de produit anti-rouille ou d'ammoniaque.

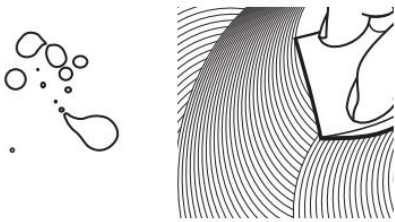
1. Éliminer les salissures alimentaires avec le grattoir pour table de cuisson.



- Pour faciliter le nettoyage, utiliser le grattoir pendant que la table de cuisson est encore tiède, mais non brûlante au toucher. Il est recommandé de porter des mitaines de four pour gratter la table de cuisson tiède.
- Tenir le grattoir pour table de cuisson à un angle d'environ 45° par rapport à la surface de verre et gratter les salissures. Il convient d'appuyer fermement pour éliminer les salissures.

Laisser la table de cuisson refroidir complètement avant de passer à l'étape 2.

2. Appliquer quelques gouttes d'affresh®+ Nettoyant pour table de cuisson sur les zones affectées.



- Frotter le nettoyant affresh® sur la surface de la table de cuisson avec le tampon bleu à nettoyer les tables de cuisson. Il convient d'appuyer fermement pour éliminer les taches rebelles.
- Laisser le produit nettoyant sécher en une pellicule blanchâtre avant de passer à l'étape 3.

3. Faire briller avec un chiffon ou un essuie-tout propre et sec.



- Répéter au besoin les étapes 1 à 3 pour les taches les plus tenaces ou incrustées.

Le nécessaire complet de nettoyage pour tables de cuisson est offert sur commande. Il contient :

- Grattoir pour table de cuisson
- Nettoyant pour table de cuisson affresh®
- Tampons bleus pour nettoyer les tables de cuisson

Consulter le Guide de démarrage rapide pour les coordonnées.

SURFACES EN ÉMAIL VITRIFIÉ UNIQUEMENT (sur certains modèles)

Les renversements d'aliments contenant des produits acides, tels que vinaigre et tomates, doivent être nettoyés dès que la table de cuisson, les grilles et les chapeaux ont refroidi. Ces salissures peuvent endommager le fini.

Pour éviter l'écaillage, ne pas entrechoquer les grilles et les chapeaux ni les frapper contre des surfaces dures telles que les ustensiles en fonte.

Ne pas réinstaller les chapeaux sur les brûleurs lorsqu'ils sont mouillés.

Ne pas utiliser le programme d'autonettoyage pour les nettoyer.

Ne pas nettoyer au lave-vaisselle.

Méthode de nettoyage :

- Ustensile de récurage en plastique non abrasif et nettoyant légèrement abrasif :
Nettoyer dès que la table de cuisson, les grilles et les chapeaux ont refroidi.
- Nettoyant pour plateau d'égouttement et grille de cuisinière à gaz (non fourni) :
Consulter le Guide de démarrage rapide pour les coordonnées.

ACIER INOXYDABLE (sur certains modèles)

Afin d'éviter d'endommager les surfaces en acier inoxydable, ne pas utiliser de tampons à récurer savonneux, de nettoyeurs abrasifs, de crème à polir pour table de cuisson, de tampons en laine d'acier, de chiffons de lavage rêches ou d'essuie-tout abrasifs.

Frotter dans la direction du grain pour éviter les dommages.

Méthode de nettoyage :

- Nettoyant tout-usage :
Rincer à l'eau propre et sécher avec un chiffon doux sans charpie.
- Nettoyant pour acier inoxydable affresh® (vendu séparément) :
Consulter le Guide de démarrage rapide pour les coordonnées.

ACIER INOXYDABLE NOIR (sur certains modèles)

Pour éviter d'endommager les surfaces en acier inoxydable noir, ne pas utiliser de tampons à récurer savonneux, de nettoyeurs abrasifs ou puissants, d'autres produits de nettoyage contenant de l'eau de Javel, de tampons en laine d'acier, de chiffons de lavage rêches ou d'essuie-tout.

Méthode de nettoyage :

- Rincer à l'eau propre et sécher avec un chiffon doux sans charpie.
- Eau tiède et savonneuse – détergent doux

COMMANDES DE LA TABLE DE CUISSON

Afin d'éviter d'endommager les commandes de la table de cuisson, ne pas utiliser de laine d'acier, de nettoyeurs abrasifs ou de nettoyeur pour four.

Afin d'éviter toute détérioration, ne pas laisser tremper les boutons de commande.

Lors de la réinstallation des boutons, s'assurer que chaque bouton est à la position OFF (arrêt).

Ne pas retirer les joints sous les boutons.

Méthode de nettoyage :

- Savon et eau :
Tirer les boutons directement hors du tableau de commande pour les enlever.
- Lavable au lave-vaisselle

TABLEAU DE COMMANDE

Afin d'éviter d'endommager le tableau de commande, ne pas utiliser de nettoyeurs abrasifs, de tampons en laine d'acier, de chiffons de lavage rêches ou d'essuie-tout abrasifs.

Méthode de nettoyage :

- Nettoyeur à vitre et chiffon doux ou éponge : Appliquer le nettoyeur à vitre sur un chiffon doux ou une éponge et non directement sur le tableau.
- Nettoyeur affresh® pour cuisine et appareils ménagers (vendu séparément) : Commander la pièce no de pièce W10355010

GRILLES ET CHAPEAUX ÉMAILLÉS

Les renversements d'aliments contenant des produits acides, tels que vinaigre et tomates, doivent être nettoyés dès que la table de cuisson, les grilles et les chapeaux ont refroidi.

Ces salissures peuvent endommager le fini.

Pour éviter l'écaillage, ne pas entrechoquer les grilles et les chapeaux ni les frapper contre des surfaces dures telles que les ustensiles en fonte.

Ne pas réinstaller les chapeaux sur les brûleurs lorsqu'ils sont mouillés.

Méthode de nettoyage :

- Ustensile de récurage en plastique non abrasif et nettoyeur légèrement abrasif :
Nettoyer dès que la table de cuisson, les grilles et les chapeaux ont refroidi.
- Lave-vaisselle (les grilles seulement et non les chapeaux) :
Utiliser le programme le plus intensif.
- Nettoyeur pour grille et plateau d'égouttement pour installation à gaz – Pièce no 31617 (non fournie) :
Consulter le Guide de démarrage rapide pour les coordonnées.

BRÛLEURS DE SURFACE

Modèles à brûleurs scellés

Voir la section « Brûleurs de surface scellés » du guide de contrôle en ligne.

PLAQUE DE MIJOTAGE (sur certains modèles)

Ne pas nettoyer au lave-vaisselle.

Méthode de nettoyage :

- Détergent liquide et eau.
Essuyer avec un chiffon ou une éponge humide, puis rincer à l'eau propre et essuyer pour sécher.
- Produit nettoyant légèrement abrasif :
Frotter dans le sens du grain avec un chiffon ou une éponge humide.

PLAQUE À FRIRE (sur certains modèles)

Pour éviter d'endommager la surface antiadhésive, ne pas nettoyer la plaque à frire avec des nettoyeurs abrasifs.

Méthode de nettoyage :

- Utiliser un savon et de l'eau, ou un détergent doux.

INSTRUCTIONS D'INSTALLATION SPÉCIFICATIONS

Outils et pièces

Outils nécessaires

- Ruban à mesurer
- Clé ou pince
- Tournevis à tête plate
- Marqueur ou crayon
- Tournevis à tête cruciforme
- Composé d'étanchéité des raccords filetés – résistant au gaz propane
- Clé mixte de 15/16 po (24 mm)
- Solution non corrosive de détection des fuites
- Clé à tuyauterie

Pièces fournies

- Détendeur
- Brides de fixation (2)
- Grilles de brûleurs
- Vis de fixation des brides (2)
- Chapeaux de brûleurs
- Base du brûleur

Pour les conversions gaz propane/naturel

Outils nécessaires

- Tournevis à tête plate
- Les tournevis T20® TORX®†
- Clé à molette
- Tourne-écrou de 7,0 mm
- Ruban adhésif de masquage
- Clé de 7,0 mm

Pièces fournies

- Sachet de gicleurs pour propane
- Instructions de conversion
- Étiquette d'identification de conversion

Pièces nécessaires

Vérifier les codes locaux et consulter le fournisseur de gaz. Vérifier l'alimentation en gaz et l'alimentation électrique existantes. Voir les sections « Spécifications électriques » et « Spécifications de l'alimentation en gaz ».

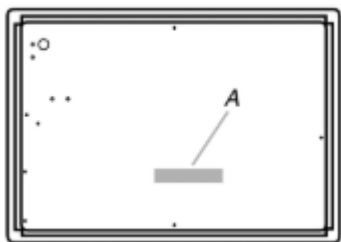
REMARQUE : S'assurer d'acheter uniquement des pièces et des accessoires Whirlpool certifiés par le fabricant de l'appareil. Il se peut que l'installation nécessite des pièces supplémentaires. Pour commander, consulter les coordonnées indiquées dans le guide de démarrage rapide.

†TORX® et T20® sont des marques déposées d'Acument Intellectual Properties, LLC.

Exigences d'Emplacement

IMPORTANT : Observer les dispositions de tous les codes et règlements en vigueur. Ne pas obstruer le flux de combustion et de ventilation.

- C'est à l'installateur qu'incombe la responsabilité de respecter les distances de séparation spécifiées sur la plaque signalétique. La plaque signalétique se trouve sur le dessous de la base de la table de cuisson.



A. Plaque signalétique du numéro de modèle et de série

- La table de cuisson doit être une table de cuisson spécifiée, et doit être approuvée pour une installation seule ou sur un four encastré sous comptoir. Vérifier que la base de la table de cuisson comporte une étiquette d'installation approuvée pour le numéro de modèle de votre table de cuisson et les combinaisons approuvées de tables de cuisson et de fours qui peuvent être installés. Si vous ne trouvez pas cette étiquette, il se peut que votre table de cuisson ne soit pas approuvée pour une utilisation au-dessus d'un four encastré sous comptoir. Contacter le marchand pour confirmer que votre table de cuisson est bien approuvée.
- Les fours homologués pour ce type d'installation comportent une étiquette d'homologation placée sur le dessus du four. Si vous ne trouvez pas cette étiquette, contactez votre marchand pour confirmer que le four est bien approuvé. Consulter les instructions d'installation du fabricant du four pour obtenir l'approbation de l'utilisation en encastrement et les dimensions correctes.
- La table de cuisson doit être installée dans un emplacement à l'écart des zones de forts courants d'air, telles que fenêtres, portes et événements ou ventilateurs de chauffage.
- Toutes les ouvertures dans le mur ou le plancher de l'emplacement d'installation de la table de cuisson doivent être scellées.
- Les dimensions d'ouverture de l'armoire indiquées doivent être utilisées. Ces dimensions constituent les valeurs minimums des dégagements.
- Une source d'électricité avec liaison à la terre est nécessaire. Voir la section « Spécifications électriques ». Un raccordement adéquat à l'alimentation en gaz doit être accessible. Voir la section « Spécifications de l'alimentation en gaz ».
- De par sa conception, la table de cuisson est retenue sur le comptoir par ses rebords latéraux ou arrière.
- Veiller à placer les sources de gaz et d'électricité selon les indications de la section « Dimensions de l'armoire » pour qu'elles soient accessibles sans avoir à retirer la table de cuisson.
- Prévoir une ouverture dans l'angle supérieur droit de l'enceinte – voir l'illustration – pour le passage de la canalisation de gaz et du câble d'alimentation électrique et pour que l'étiquette signalétique soit visible.

IMPORTANT : Pour éviter tout dommage, consulter le constructeur de la maison ou le fabricant des placards pour déterminer si les matériaux utilisés peuvent subir un changement de couleur, une déstratification ou d'autres dommages.

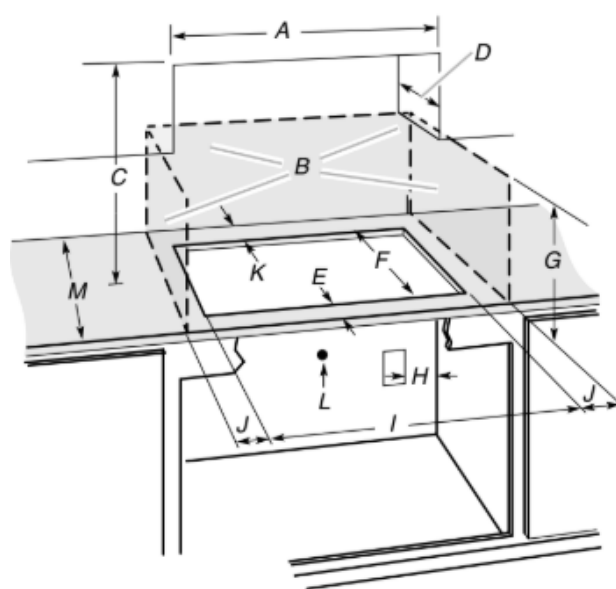
Résidence mobile – Spécifications supplémentaires à respecter lors de l'installation

L'installation de cette table de cuisson doit être conforme aux dispositions de la norme Manufactured Home Construction and Safety Standard, Title 24 CFR, Part 3280 (anciennement Federal Standard for Mobile Home Construction and Safety, Title 24, HUD Part 280). Lorsque cette norme n'est pas applicable, l'installation doit satisfaire aux critères de la norme Standard for Manufactured Home Installations, ANSI A225.1/NFPA 501A ou aux dispositions des codes locaux.

Au Canada, l'installation de cette cuisinière doit satisfaire aux stipulations de la version la plus récente de la norme CAN/CSA-Z240.1, ou des codes locaux en vigueur.

Dimensions de l'armoire

IMPORTANT : Si une hotte ou un ensemble hotte/micro-ondes est installé au-dessus de la table de cuisson, suivre les instructions fournies avec la hotte ou l'ensemble hotte/micro-ondes concernant les dimensions de dégagement à respecter au-dessus de la surface de la table de cuisson.



- A. 30 po (76,2 cm) sur les modèles de 30 po; 36 po (91,4 cm) sur les modèles de 36 po
- B. Zone de matière combustible au-dessus du comptoir (espace délimité par des lignes pointillées ci-dessus)
- C. Distance minimale de séparation de 30 po (76,2 cm) entre le dessus de la table de cuisson et le fond d'une armoire métallique ou de bois non couverte (distance de séparation de 24 po [61 cm] ou plus si le fond de l'armoire de métal ou de bois est recouvert d'une plaque d'au moins 1/4 po [6,4 mm] de matériau résistant aux flammes, lui-même recouvert d'une feuille métallique d'une épaisseur correspondant à un calibre de 28 au moins pour l'acier, 0,015 po [0,4 mm] pour l'acier inoxydable, 0,024 po [0,6 mm] pour l'aluminium ou 0,020 po [0,5 mm] pour le cuivre).
- D. 13 po (33 cm) max de profondeur de l'armoire supérieure.
- E. 3 1/8 po (7,9 cm)
- F. 19 1/2 po (49,5 cm)
- G. Distance de séparation minimale de 18 po (45,7 cm) entre l'armoire supérieure et le comptoir avec distance minimale de séparation horizontale pour la table de cuisson.
- H. Prise de courant reliée à la terre – Situer à moins de 24 po (61 cm) de l'angle arrière droit de l'ouverture découpée.
- I. 28 7/8 po (73,4 cm) sur les modèles de 30 po; 34 5/16 po (87,0 cm) sur les modèles de 36 po


- J. Pour les modèles WCGK7530, la distance minimale entre les surfaces combustibles des côtés gauche et droit doit être de 12 1/2 po (31,9 cm) et la distance totale minimale entre les surfaces combustibles des côtés gauche et droit doit être de 78 po (198,1 cm).
 Pour les modèles WCGK7036 et WCGK7536, la distance minimale entre les surfaces combustibles des côtés gauche et droit doit être de 12 7/8 po (32,7 cm) et la distance totale minimale entre les surfaces combustibles des côtés gauche et droit doit être de 84 po (213,4 cm).
 Pour tous les autres modèles de 30 po, la distance doit être de 8 1/2 po (21,6 cm) ou plus de chaque côté. Pour tous les autres modèles de 36 po, la distance doit être de 8 7/8 po (22,5 cm) ou plus de chaque côté.
- K. Distance minimum de 2 7/8 po (7,3 cm) avec la surface combustible arrière.
- L. Ouverture pour la canalisation d'arrivée de gaz – mur : n'importe où, à 5 po (12,7 cm) au-dessous de la face inférieure du comptoir. Plancher de l'armoire : n'importe où, à moins de 6 po (15,2 cm) du mur arrière (recommandation).
- M. Un comptoir de profondeur de 25 1/2 po (64,7 cm) ou plus est nécessaire.

REMARQUE : Après le découpage de l'ouverture dans le comptoir, il est possible que pour certaines configurations d'installation, il soit nécessaire d'entailler les parois latérales de l'armoire inférieure pour permettre le passage de la base de la table de cuisson. Pour éviter cette modification, utiliser une armoire inférieure dont la largeur entre les parois latérales est supérieure à celle de l'ouverture découpée.

Si l'armoire comporte un tiroir, on devra ménager un dégagement de 4 po (10,2 cm) ou plus entre le comptoir et le dessus du tiroir (ou autre obstacle) dans l'armoire inférieure. Il pourra être nécessaire de réduire la profondeur du tiroir pour éviter qu'il touche le détendeur.

Spécifications électriques

⚠ AVERTISSEMENT



Risque de décharge électrique

Brancher l'appareil sur une prise à 3 alvéoles reliée à la terre.

Ne pas enlever la prise de liaison à la terre.

Ne pas utiliser d'adaptateur.

Ne pas utiliser de rallonge.

Le non-respect de ces instructions peut causer un décès, un incendie ou une décharge électrique.

IMPORTANT : La table de cuisson doit être reliée à la terre en conformité avec les codes et règlements locaux en vigueur, ou en l'absence de codes locaux, avec le National Electrical Code, ANSI/NFPA 70 ou le Code canadien des installations électriques, CSA C22.1.

Cette table de cuisson est dotée d'un système d'allumage électronique qui ne fonctionnera pas en cas de branchement dans une prise qui n'est pas correctement polarisée.

Si on utilise un conducteur distinct de mise à la terre lorsque les codes le permettent, il est recommandé qu'un électricien qualifié vérifie que la mise à la terre est adéquate.


Pour obtenir un exemplaire des normes des codes ci-dessus, contacter :

National Fire Protection Association
 1 Batterymarch Park
 Quincy, MA 02169-7471
 CSA International
 8501 East Pleasant Valley Road
 Cleveland, OH 44131-5575

- L'appareil doit être alimenté par un circuit de 120 V CA à 60 Hz seulement et protégé par fusible de 15 A. On recommande également d'utiliser un fusible ou un disjoncteur temporisé. Il est recommandé de raccorder l'appareil sur un circuit distinct exclusif à cette table de cuisson.
- Les systèmes d'allumage électronique fonctionnement avec des limites de tension étendues, mais une liaison à la terre correcte et une polarité appropriée sont nécessaires. Vérifier que la prise fournit une alimentation de 120 V et qu'elle est correctement reliée à la terre.
- Les schémas de câblage sont fournis avec cette table de cuisson. Voir les « schémas de câblage ».

Spécifications de l'alimentation en gaz

⚠ AVERTISSEMENT



Risque d'explosion

Utiliser une canalisation neuve d'arrivée de gaz approuvée par la CSA International.

Installer un robinet d'arrêt.

Bien serrer chaque organe de connexion de la canalisation de gaz.

En cas de connexion au gaz propane, demander à une personne qualifiée de s'assurer que la pression de gaz ne dépasse pas 14 po (36 cm) dans la colonne d'eau.

Par personnel qualifié, on entend : personnel agréé de chauffage, personnel agréé d'une compagnie de gaz, et personnel d'entretien agréé.

Le non-respect de ces instructions peut causer un décès, une explosion ou un incendie.

Observer les dispositions de tous les codes et règlements en vigueur.

IMPORTANT : Cette installation doit être effectuée conformément avec les codes et règlements locaux. En l'absence de code local, l'installation doit satisfaire aux prescriptions de la plus récente édition du code national en vigueur de la National Fuel Gas Code ANSI Z223.1/NFPA 54 ou au Canada, National Gas and Propane Installation Code, CSA B149.1.

IMPORTANT : Les tests de fuite de la table de cuisson doivent être effectués selon les instructions du fabricant.

Type de gaz

Gaz naturel :

Cette table de cuisson a été configurée à l'usine pour l'alimentation au gaz naturel. Dans le cas d'une conversion pour l'alimentation au propane, voir la section « Conversion pour l'alimentation au propane ». La plaque signalétique des numéros de modèle et de série située sur le dessous de la base de la table de cuisson indique les types de gaz utilisables. Si le type de gaz offert n'est pas mentionné sur la plaque signalétique, consulter le fournisseur local.

Conversion pour l'alimentation au propane :

L'opération de conversion doit être exécutée par un technicien de réparation qualifié.

Ne pas entreprendre de convertir la table de cuisson pour une utilisation avec un gaz différent de celui indiqué sur la plaque signalétique sans d'abord consulter le fournisseur de gaz. Voir les instructions de conversion de gaz fournies dans le sachet de documentation.

Conduite de gaz

- Installer une canalisation de gaz rigide de 3/4 po (19 mm) jusqu'à l'emplacement d'installation de la table de cuisson. Un tuyau d'un plus petit diamètre utilisé sur une grande distance pourrait ne pas fournir une alimentation suffisante en gaz. On doit utiliser un composé d'étanchéité pour tuyauteries résistant à l'action du gaz propane. Ne pas utiliser de ruban TEFLON®† Pour l'alimentation au propane, le diamètre des canalisations ou tuyaux doit être de 1/2 po (13 mm) minimum. En général, le fournisseur de gaz propane détermine les matériaux à utiliser et le diamètre approprié.

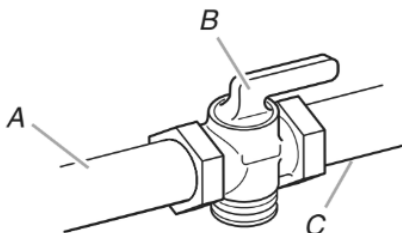
Raccord métallique flexible pour appareil ménager :

- Si les codes locaux le permettent, utiliser un connecteur à gaz flexible en acier inoxydable d'un diamètre intérieur de 1/2 po ou 3/4 po (13 mm ou 19 mm), conçu par CSA pour raccorder la table de cuisson à la canalisation rigide d'alimentation en gaz.



- Un raccord de tuyauterie mâle de 1/2 po (13 mm) est nécessaire pour la connexion sur le raccord à filetage femelle à l'entrée du détendeur de la table de cuisson.
- Ne pas déformer/écraser/endommager le tube métallique flexible lors d'un déplacement de la table de cuisson.
- Robinet d'arrêt nécessaire :

Procéder à l'installation d'un robinet d'arrêt manuel pour la conduite de gaz dans un endroit facile d'accès. Ne pas entraver l'accès au robinet d'arrêt manuel. Le robinet d'arrêt manuel est prévu pour ouvrir ou fermer l'alimentation en gaz de la table de cuisson.



- A. Conduite de gaz
- B. Robinet d'arrêt en position « ouverte »
- C. Vers la cuisinière

Détendeur

Le détendeur fourni avec cette table de cuisson doit être utilisé. La pression d'alimentation du détendeur doit être comme suit pour un fonctionnement correct :

Gaz naturel :

Pression minimum : 5 po (12,7 cm) de colonne d'eau, 1,2 kPa (0,17 psi)

Pression maximale : 7 po à 14 po (17,8 cm à 35,5 cm) de colonne d'eau, 1,7 kPa (0,24 psi) à 3,5 kPa (0,50 psi)

Gaz propane :

Pression minimum : 10 po (25,4 cm) de colonne d'eau, 2,7 kPa (0,39 psi)

Pression maximale : 14 po (35,5 cm) de colonne d'eau, 3,6 kPa (0,50 psi)

Communiquer avec votre fournisseur local de gaz en cas de doute sur la pression d'entrée.

Spécifications de l'alimentation du brûleur

Les débits thermiques indiqués sur la plaque signalétique correspondent à une altitude d'utilisation inférieure à 2 000 pi (609,6 m).

Lorsque l'appareil est utilisé à une altitude supérieure à 2 000 pi (609,6 m), on doit réduire le débit thermique indiqué de 4 % pour chaque tranche de 1 000 pi (304,8 m) au-dessus du niveau de la mer (non applicable au Canada).

Essai de pression de la canalisation de gaz

On doit tester le détendeur sous une pression supérieure d'au moins 1 po (2,5 cm) (249 Pa) à la pression de la tubulure de distribution indiquée sur la plaque signalétique.

Mise sous pression à une pression supérieure à 1/2 lb/po² (3,5 kPa) 14 po (35,5 cm) de colonne d'eau

Pour tout test de pressurisation du système à une pression supérieure à 1/2 lb/po² (3,5 kPa), on doit déconnecter la table de cuisson et son robinet d'arrêt des canalisations d'alimentation en gaz à pressuriser.

Mise sous pression à une pression de 1/2 lb/po² (3,5 kPa) 14 po (35,5 cm) de colonne d'eau ou moins

Lors de tout test de pressurisation de la canalisation de gaz à une pression égale ou inférieure à 1/2 lb/po² (3,5 kPa), on doit isoler la table de cuisson de la canalisation de gaz par fermeture de son robinet d'arrêt manuel individuel.

†TEFLON® est une marque déposée de Chemours.

INSTALLATION

Installation de la table de cuisson

⚠ AVERTISSEMENT

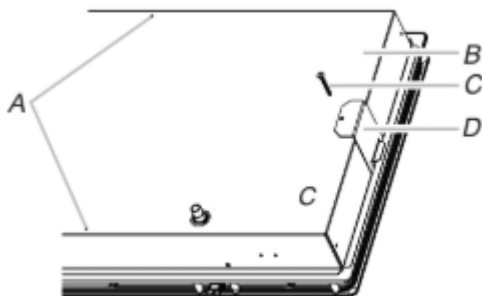
Risque de poids excessif

Utiliser deux personnes ou plus pour déplacer et installer l'appareil.

Le non-respect de cette instruction peut causer une blessure au dos ou d'autres blessures.

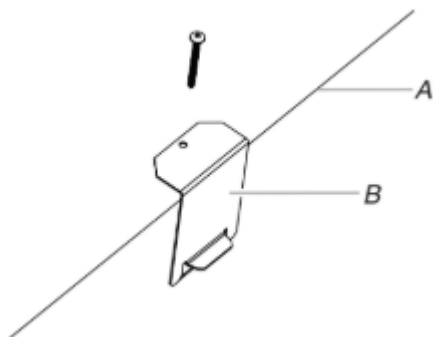
Déterminer l'emplacement final de la table de cuisson. Éviter de percer dans le câblage existant ou de l'endommager pendant l'installation.

1. Déterminer si l'installation des armoires permet le dégagement nécessaire pour l'installation de brides de fixation aux extrémités de la base de la table de cuisson. Il s'agit de l'emplacement recommandé. Des brides de fixation peuvent être installées à l'avant et à l'arrière de la partie inférieure de la base de la table de cuisson, si nécessaire.



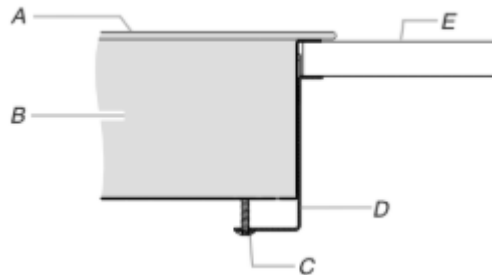
- A. Trous de vis d'attache pour emplacement facultatif à l'avant et à l'arrière
- B. Partie inférieure de la base de la table de cuisson
- C. Vis de fixation
- D. Brides de fixation (emplacements d'extrémité recommandés)

2. À l'aide d'au moins 2 personnes, placer la table de cuisson dans l'ouverture en orientant la bonne surface vers le haut.
REMARQUE : S'assurer que le bord avant de la table de cuisson est parallèle au bord avant du comptoir. S'il est nécessaire de repositionner la table de cuisson, la soulever entièrement de l'ouverture pour éviter de rayer le comptoir.
3. Enlever les vis d'attache pour les emplacements de brides sélectionnés de la partie inférieure de la base de la table de cuisson.



- A. Trous de vis d'attache pour emplacement facultatif à l'avant et à l'arrière
- B. Partie inférieure de la base de la table de cuisson

4. Fixer les brides sur le fond de la base de la table de cuisson à l'aide des vis de fixation des brides. Bien serrer les vis.



- A. Table de cuisson
- B. Base de la table de cuisson
- C. Vis d'attache de la bride de 2 po (5,1 cm)
- D. Brides de fixation (dépassant suffisamment de la base de la table de cuisson pour permettre l'installation des vis de fixation)
- E. Plan de travail

Raccordement au Gaz

⚠ AVERTISSEMENT



Risque d'explosion

Utiliser une canalisation neuve d'arrivée de gaz approuvée par la CSA International.

Installer un robinet d'arrêt.

Bien serrer chaque organe de connexion de la canalisation de gaz.

En cas de connexion au gaz propane, demander à une personne qualifiée de s'assurer que la pression de gaz ne dépasse pas 14 po (36 cm) dans la colonne d'eau.

Par personnel qualifié, on entend : personnel agréé de chauffage, personnel agréé d'une compagnie de gaz, et personnel d'entretien agréé.

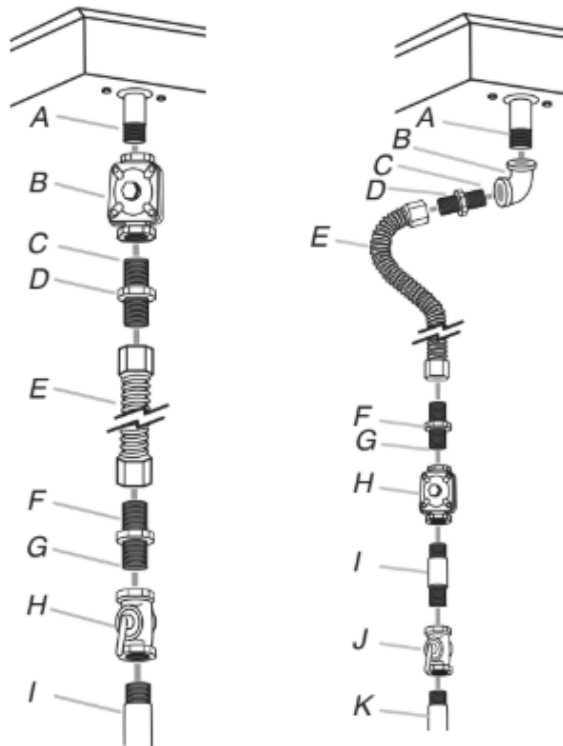
Le non-respect de ces instructions peut causer un décès, une explosion ou un incendie.

Raccordement typique par raccord flexible

1. Appliquer un composé d'étanchéité pour tuyauteries conçu pour une utilisation avec du gaz naturel et du gaz propane sur l'extrémité fileté la plus petite des adaptateurs de raccord flexible (voir C et G dans l'illustration ci-dessous).
2. Fixer un adaptateur sur le détendeur et l'autre adaptateur sur le robinet d'arrêt de la canalisation de gaz. Serrer les deux adaptateurs.

- Utiliser une clé mixte de 15/16 po (2,4 cm) et une pince multiprise pour fixer le raccord flexible sur les raccords d'adaptation. S'assurer que le raccord n'est pas déformé.

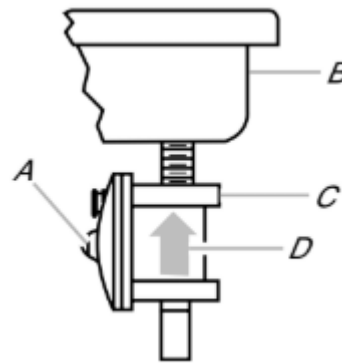
IMPORTANT : Tous les raccords doivent être bien serrés à l'aide d'une clé. Ne pas serrer excessivement la connexion sur le détendeur. Un serrage excessif pourrait provoquer une fissuration du détendeur et une fuite de gaz. Lors du serrage des raccords, empêcher le détendeur de tourner.



- A. Entrée de la tubulure de distribution
- B. Détendeur
- C. Appliquer un composé d'étanchéité.
- D. Raccord d'adaptation (doit posséder un filetage mâle 1/2 po [1,3 cm] pour tuyauterie)
- E. Raccord flexible
- F. inclus
- G. Appliquer un composé d'étanchéité.
- H. Robinet d'arrêt manuel
- I. Conduite de gaz de 1/2 po (1,3 cm) ou 3/4 po (1,9 cm)

- A. Entrée de la tubulure de distribution
- B. Coude de 3/4 po (1,9 cm)
- C. Appliquer un composé d'étanchéité.
- D. Raccord d'adaptation (doit posséder un filetage mâle 3/8 po [9,5 mm] pour tuyauterie)
- E. Raccord flexible (doit être acheminé à travers la paroi séparant les armoires)
- F. Raccord d'adaptation (doit posséder un filetage mâle 3/8 po [9,5 mm] pour tuyauterie)
- G. Appliquer un composé d'étanchéité.
- H. Détendeur de l'appareil (fourni)
- I. Conduite de gaz de 1/2 po (1,3 cm) ou 3/4 po (1,9 cm)
- J. Robinet d'arrêt manuel
- K. Conduite de gaz de 1/2 po (1,3 cm) ou 3/4 po (1,9 cm)

- Installer le régulateur avec la flèche orientée vers le fond de la base de la table de cuisson, et de manière à ce que le chapeau d'accès du détendeur soit accessible.

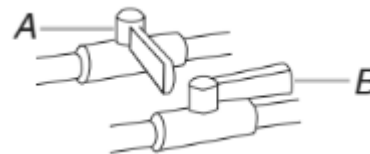


- A. Chapeau de l'ouverture d'accès
- B. Arrière de la table de cuisson
- C. Détendeur
- D. Flèche vers le haut. Détendeur – Doit être installé avec la flèche pointant vers le haut (vers le fond de la table de cuisson)

IMPORTANT : Utiliser uniquement un composé d'étanchéité des tuyauteries conçu pour l'utilisation avec le gaz naturel ou le propane. Ne pas utiliser de ruban TEFLON®. Il sera nécessaire de choisir les raccords à utiliser en fonction de la configuration d'installation.

Achever le Raccordement

- Ouvrir le robinet d'arrêt manuel sur la canalisation d'alimentation en gaz. Le robinet est ouvert lorsque la manette est parallèle au conduit d'alimentation en gaz.

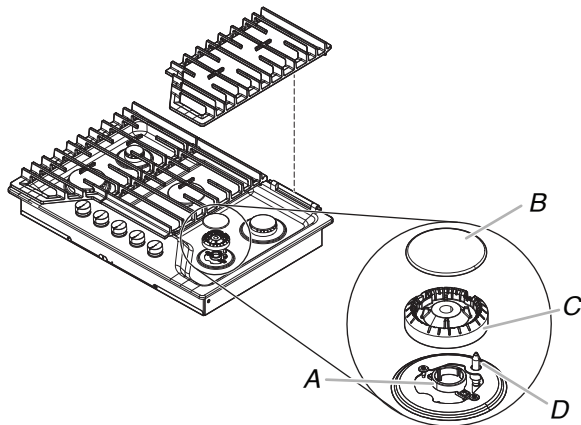


- A. Robinet fermé
- B. Robinet ouvert

- Vérifier tous les raccords en les badigeonnant d'une solution de détection des fuites non corrosive approuvée. La formation de bulles indique la présence d'une fuite. Réparer toutes les fuites.

3. Ôter les chapeaux de brûleur de surface, la base des brûleurs et les grilles du sachet de pièces. Aligner les encoches des chapeaux de brûleur avec les broches dans la base de chaque brûleur.

Aligner le porte-gicleur de la base du brûleur avec l'électrode d'allumage. Un chapeau de brûleur correctement placé doit être horizontal. Si les chapeaux de brûleur ne sont pas correctement installés, les brûleurs de surface ne s'allumeront pas. Placer les grilles de brûleur sur les brûleurs et chapeaux.



- A. Porte-gicleur
B. Chapeau de brûleur
C. Base du brûleur
D. Électrode d'allumage

⚠ AVERTISSEMENT



Risque de décharge électrique

Enchufe el cable eléctrico en un tomacorriente de 3 o 4 terminales con conexión a tierra.

Ne pas enlever la prise de liaison à la terre.

Ne pas utiliser d'adaptateur.

Ne pas utiliser de rallonge.

Le non-respect de ces instructions peut causer un décès, un incendie ou une décharge électrique.

4. Brancher l'appareil sur une prise à 3 alvéoles reliée à la terre.

Achever l'installation

Système d'allumage électronique

Allumage initial et ajustement des flammes de gaz

À la place de flammes de veille, les brûleurs de surface sont dotés d'un allumeur électronique. Lorsqu'on place le bouton de commande d'un brûleur de la table de cuisson à la position « IGNITE » (allumage), le système génère des étincelles pour l'allumage du brûleur. Il continue à produire des étincelles tant que le bouton de commande reste sur « IGNITE » (allumage).

Contrôle du fonctionnement des brûleurs de surface

Enfoncer et tourner les boutons de commande des brûleurs de surface à la position basse.

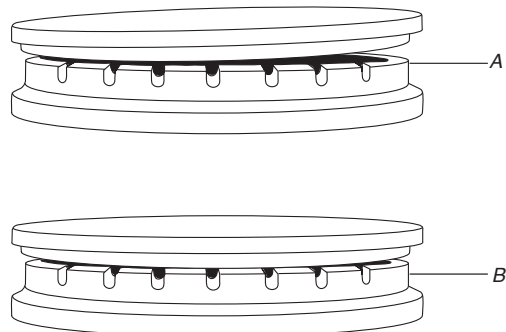
Le gaz doit s'enflammer sur le brûleur de surface en moins de 4 secondes. Lors de l'allumage initial du brûleur de surface, le délai d'allumage peut être supérieur à 4 secondes du fait de la présence d'air dans la canalisation de gaz.

Vérifier que la flamme est bleue à la position « HIGH » (élevée). Elle doit être propre et douce. On ne doit pas observer de pointe jaune, ni d'effet de soufflage ou de séparation entre les flammes et le brûleur. Il est normal d'observer parfois des éclairs orange; ceci est dû à différents éléments dans l'air ou le gaz.

Après avoir vérifié le bon fonctionnement du brûleur, tourner les boutons de commande à « OFF » (arrêt).

Si les brûleurs ne s'allument pas correctement :

- Ramener le bouton de commande du brûleur de surface à la position « OFF ».
- Vérifier que le cordon d'alimentation est branché et correctement alimenté (fusible grillé? disjoncteur ouvert?).
- Vérifier que chaque robinet d'arrêt est à la position « open » (ouverte).
- Vérifier que les chapeaux de brûleur sont correctement placés sur la base des brûleurs.



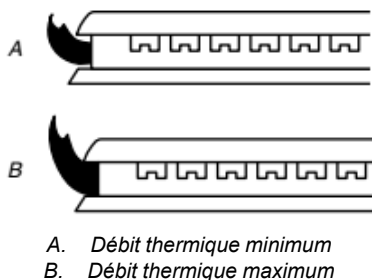
- A. Incorrect
B. Correct

S'assurer à nouveau du bon fonctionnement des brûleurs. Si à ce stade un brûleur ne s'allume pas, contacter le revendeur ou une entreprise de service agréée.

Contrôle de la taille des flammes

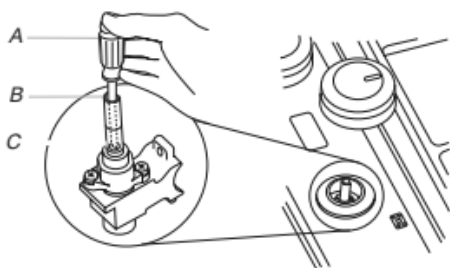
Régler la taille des flammes sur les brûleurs de surface.

Pour le réglage au débit thermique minimum du brûleur de surface, on doit observer une flamme bleue stable de 1/4 po (6,4 mm).



Réglage d'un robinet de gaz unique :

1. Régler la flamme du brûleur sur LO (réglage bas).
2. Ôter le bouton de commande.
3. Immobiliser la tige de commande avec une pince. Utiliser un tournevis à tête plate de 3/32 po (no 0 [2 mm]) pour faire tourner la vis située au centre de la tige du bouton de commande jusqu'à ce que la flamme atteigne la bonne taille. Tourner la vis de réglage « C » vers la droite pour diminuer la hauteur de la flamme ou vers la gauche pour augmenter la hauteur de la flamme.



- A. Tournevis à tête plate de 3/32 po (no 0 [2 mm]) (la tige doit mesurer au moins 2 po [5,1 cm] de long)
B. Orifice de la tige du bouton de commande
C. Emplacement de la vis de réglage

4. Réinstaller le bouton de commande.
5. Tester la flamme en tournant le bouton de commande pour le faire passer de LO (basse) à HI (élevée) et observer les flammes pour chaque réglage.

IMPORTANT : Le réglage de la double soupape doit être effectué par un installateur qualifié.

Panne de courant

En cas de panne de courant prolongée, les brûleurs de surface peuvent être allumés manuellement. Tenir une allumette allumée près d'un brûleur et tourner le bouton dans le sens antihoraire pour le placer sur IGNITE (allumage)

CONVERSIONS DE GAZ

IMPORTANT : L'opération de conversion de l'appareil (pour l'alimentation au gaz propane au lieu du gaz naturel) doit être exécutée par un installateur qualifié. Avant d'entreprendre la conversion, fermer l'arrivée de gaz à la table de cuisson avant d'interrompre l'alimentation électrique de la table de cuisson.

AVERTISSEMENT :

L'installation de cet ensemble de conversion doit être exécutée par le personnel qualifié d'une agence de service/entretien, conformément aux instructions du fabricant et en conformité avec les prescriptions de tous les codes et règlements applicables publiés par l'autorité juridictionnelle. Le non-respect de l'intégralité de ces instructions peut causer un incendie, une explosion ou du monoxyde de carbone qui pourraient entraîner des dommages matériels, des blessures ou la mort. Le personnel qualifié d'une agence de service/entretien assume la responsabilité de l'installation correcte de cet ensemble. L'installation ne peut être considérée comme adéquate et complète qu'après contrôle satisfaisant du fonctionnement de l'appareil converti conformément aux instructions du fabricant fournies avec l'ensemble.

AVERTISSEMENT



Risque d'explosion

Utiliser une canalisation neuve d'arrivée de gaz approuvée par la CSA International.

Installer un robinet d'arrêt.

Bien serrer chaque organe de connexion de la canalisation de gaz.

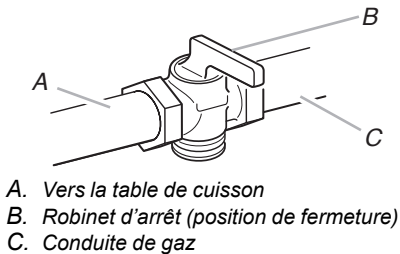
En cas de connexion au gaz propane, demander à une personne qualifiée de s'assurer que la pression de gaz ne dépasse pas 14 po (36 cm) dans la colonne d'eau.

Par personnel qualifié, on entend : personnel agréé de chauffage, personnel agréé d'une compagnie de gaz, et personnel d'entretien agréé.

Le non-respect de ces instructions peut causer un décès, une explosion ou un incendie.

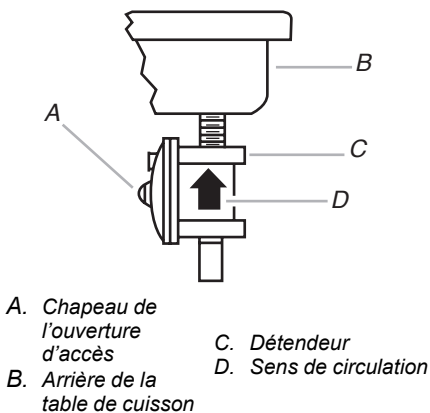
Conversion du gaz naturel au propane

1. Fermer le robinet d'arrêt manuel.



2. Débrancher la table de cuisson ou déconnecter la source de courant électrique.

Conversion du détendeur

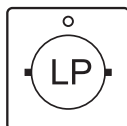


3. Déterminer le type du détendeur :

Style 1 : Le chapeau comporte une rainure et la mention « NAT » (GAZ NATUREL).

Utiliser un tournevis à lame plate ou une pièce de monnaie pour dévisser le chapeau de l'ouverture d'accès; faire tourner le chapeau dans le sens antihoraire.

Deux réglages sont possibles pour le détendeur; l'information correspondante est gravée de chaque côté du chapeau. Orienter le chapeau correctement, et réinstaller le chapeau sur le détendeur; la mention « LP » (GAZ GPL [butane/propane]) doit être visible à l'extérieur du détendeur.



Style 2 : Le chapeau de l'ouverture d'accès présente une fente ou une forme hexagonale, sans texte imprimé.

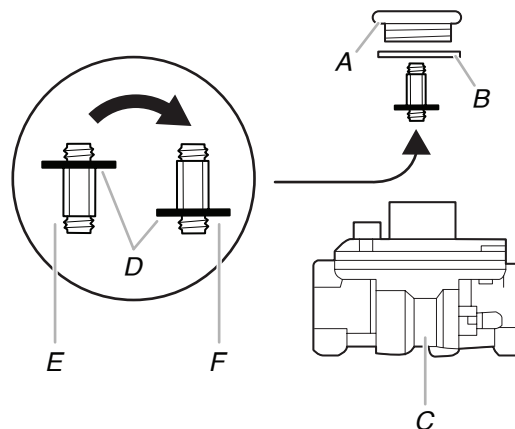
Retirez le chapeau de l'ouverture d'accès en le tournant dans le sens antihoraire à l'aide d'un tournevis à lame plate ou d'une clé.

Si Seven Universe est imprimé sur le détendeur, séparer le dispositif de retenue du ressort en le tournant dans le sens antihoraire. Si Maxitrol est imprimé sur le détendeur, appliquer une force sur le côté plat du ressort de retenue pour le retirer.

Retourner le support de ressort pour placer le disque sur le support de ressort, loin du chapeau de l'ouverture d'accès.

Installer le dispositif de retenue du ressort Seven Universe en le tournant dans le sens horaire pour le visser complètement dans le chapeau de l'ouverture d'accès, ou pour le dispositif de retenue du ressort Maxitrol en exerçant une pression pour enclencher le dispositif de retenue du ressort dans le chapeau de l'ouverture d'accès.

Réinstaller le chapeau et le joint sur le détendeur en tournant dans le sens horaire.



- A. Chapeau de l'ouverture d'accès
B. Joint
C. Détendeur
D. Disque sur le ressort de retenue
E. Ressort de retenue en position gaz naturel
F. Ressort de retenue en position gaz propane (LP)

4. Tester le détendeur et la canalisation de gaz.

On doit tester le détendeur sous une pression supérieure d'au moins 1 po (2,5 cm) de colonne d'eau à la pression de service. Pour le fonctionnement et le contrôle du réglage du détendeur, il faut que la pression d'admission au détendeur corresponde aux indications ci-dessous :

Gaz propane :

Pression minimum : 10 po (25,4 cm) de colonne d'eau

Pression d'admission : 14 po (35,56 cm) de colonne d'eau

Essai de pression de la canalisation de gaz

Mise sous pression à une pression supérieure à 1/2 lb/po² (3,5 kPa) 14 po (35,5 cm) de colonne d'eau

Lors de tout test de pressurisation de ce système à une pression supérieure à 1/2 lb/po² (3,5 kPa), on doit déconnecter la table de cuisson et son robinet d'arrêt individuel de la canalisation de gaz.

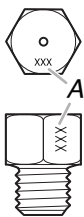
Mise sous pression à une pression de 1/2 lb/po² (3,5 kPa) 14 po (35,5 cm) de colonne d'eau ou moins

Lors de tout test de pressurisation de la canalisation de gaz à une pression égale ou inférieure à 1/2 lb/po² (3,5 kPa), on doit isoler la table de cuisson de la canalisation de gaz par fermeture de son robinet d'arrêt manuel individuel.

5. Si les grilles de brûleur sont installées, les retirer.
Utiliser le tableau qui suit pour choisir le gicleur approprié selon le modèle de l'appareil et l'emplacement du brûleur à convertir.

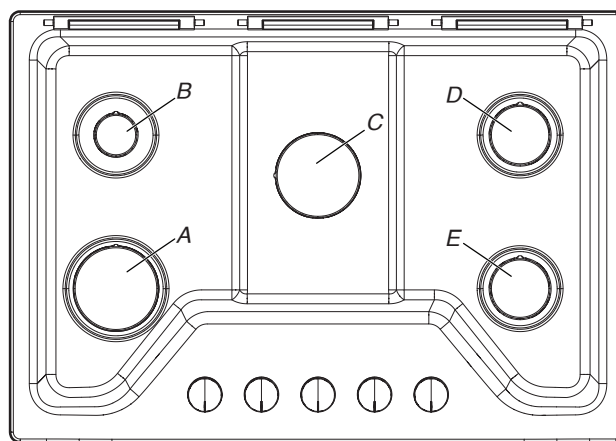
Tableau des gicleurs pour gaz propane

Famille de modèles	Brûleur	Capacité du brûleur (BTU)	Couleur	Empreinte (A)	Taille (mm)
WCG-K3030P et WCG-K5030P	Avant droit	6500	NOIR	80	0,8
	Avant gauche	11000	VERT	100	1
	Arrière droit	11000	VERT	100	1
	Arrière gauche	4000	ROUGE	60	0,6
	Centre	S.O.	S.O.	S.O.	S.O.
WCG-K5036P, WCG-K7030P, WCG-K7530P, WCG-K7536P	Avant droit	6500	NOIR	80	0,8
	Avant gauche	11000	VERT	100	1
	Arrière droit	6500	NOIR	80	0,8
	Arrière gauche	4000	ROUGE	60	0,6
	Centre	11000	VERT	100	1
WCG-K7036P	Avant droit	9000	JAUNE	90	0,9
	Avant gauche	11000	VERT	100	1
	Arrière droit	9000	JAUNE	90	0,9
	Arrière gauche	4000	ROUGE	60	0,6
	Centre	11000	VERT	100	1



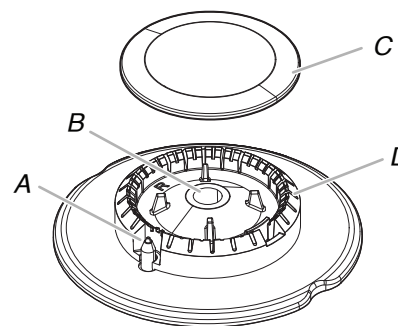
A. Empreinte

Emplacement des brûleurs



A. Avant gauche D. Arrière droit
B. Arrière gauche E. Avant droit
C. Centre

6. Retirer tous les chapeaux et les bases des brûleurs (consulter le Guide de démarrage rapide pour des informations sur les brûleurs).

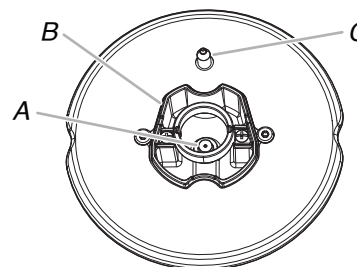


Flamme ordinaire

A. Électrode d'allumage
B. Ouverture du tube d'arrivée de gaz
C. Chapeau de brûleur
D. Base du brûleur

7. Conversion du brûleur standard :

- À l'aide d'une clé de 7 mm, desserrer et retirer le gicleur (A).
- Conserver à part l'injecteur du brûleur.
- Remplacer le gicleur par un gicleur pour gaz propane de taille correcte. Voir le tableau de sélection des gicleurs pour gaz propane.

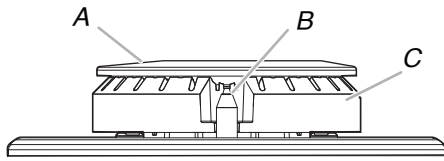


A. Injecteur
B. Porte-injecteur
C. Électrode d'allumage par étincelle

8. Replacer la feuille isolante.

9. Replacer les bases et chapeaux de brûleur.

L'électrode d'allumage est en céramique et peut se briser durant l'opération de conversion. Lorsque l'on réinstalle la base du brûleur, veiller à ce que l'électrode traverse sans difficulté le trou dans le brûleur.



- A. Chapeau de brûleur
- B. Électrode
- C. Base du brûleur

10. Ouvrir le robinet d'arrêt de la canalisation de gaz. Le robinet est ouvert lorsque la manette est parallèle au conduit d'alimentation en gaz.

⚠ AVERTISSEMENT



Risque de décharge électrique

Brancher l'appareil sur une prise à 3 alvéoles reliée à la terre.

Ne pas enlever la prise de liaison à la terre.

Ne pas utiliser d'adaptateur.

Ne pas utiliser de rallonge.

Le non-respect de ces instructions peut causer un décès, un incendie ou une décharge électrique.

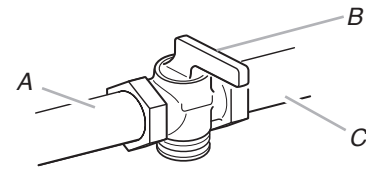
11. Brancher la table de cuisson ou reconnecter la source de courant électrique.

MÉMORISER : Après avoir exécuté la conversion de chaque brûleur de la table de cuisson, effectuer un test de recherche des fuites en appliquant une solution homologuée (non corrosive) pour détection des fuites sur les connexions du circuit de gaz. L'apparition de bulles indique une fuite. Éliminer toute fuite détectée.

12. Pour régler les robinets simples et doubles, consulter la section « Réglage de la taille des flammes ».

Conversion pour changement de gaz propane au gaz naturel

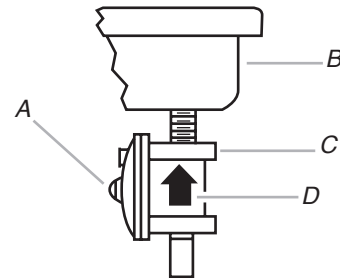
1. Fermer le robinet d'arrêt manuel.



- A. Vers la table de cuisson
- B. Robinet d'arrêt (position de fermeture)
- C. Conduite de gaz

2. Débrancher la table de cuisson ou déconnecter la source de courant électrique.

Conversion du détendeur



- A. Chapeau de l'ouverture d'accès
- B. Arrière de la table de cuisson
- C. Détendeur
- D. Sens de circulation

3. Déterminer le type du détendeur :

Style 1 : Le chapeau comporte une rainure et la mention « LP ». (GAZ GPL [butane/propane])

Utiliser un tournevis à lame plate ou une pièce de monnaie pour dévisser le chapeau de l'ouverture d'accès; faire tourner le chapeau dans le sens antihoraire.

Deux réglages sont possibles pour le détendeur; l'information correspondante est gravée de chaque côté du chapeau.

Orienter le chapeau correctement, et réinstaller le chapeau sur le détendeur; la mention « NAT » (GAZ NATUREL) doit être visible à l'extérieur du détendeur.



Style 2 : Le chapeau de l'ouverture d'accès présente une fente ou une forme hexagonale, sans texte imprimé.

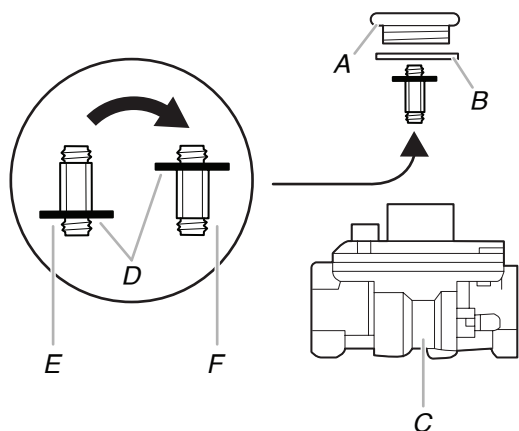
Retirez le chapeau de l'ouverture d'accès en le tournant dans le sens antihoraire à l'aide d'un tournevis à lame plate ou d'une clé.

Si Seven Universe est imprimé sur le détendeur, séparer le dispositif de retenue du ressort en le tournant dans le sens antihoraire. Si Maxitrol est imprimé sur le détendeur, appliquer une force sur le côté plat du ressort de retenue pour le retirer.

Retourner le support de ressort pour placer le disque sur le support de ressort, près du chapeau de l'ouverture d'accès.

Installer le dispositif de retenue du ressort Seven Universe en le tournant dans le sens horaire pour le visser complètement dans le chapeau de l'ouverture d'accès, ou pour le dispositif de retenue du ressort Maxitrol en exerçant une pression pour enclencher le dispositif de retenue du ressort dans le chapeau de l'ouverture d'accès.

Réinstaller le chapeau et le joint sur le détendeur en tournant dans le sens horaire.



- A. Chapeau de l'ouverture d'accès
- B. Joint
- C. Détendeur
- D. Disque sur le ressort de retenue
- E. Ressort de retenue en position gaz propane (LP)
- F. Ressort de retenue en position gaz naturel

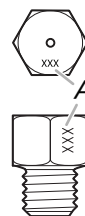
4. Si les grilles de brûleur sont installées, les retirer.
5. Enlever les grilles de brûleur si elles sont installées.

Utiliser le tableau qui suit pour choisir le gicleur approprié selon le modèle de l'appareil et l'emplacement du brûleur à convertir.

Tableau de sélection des injecteurs pour Gaz Naturel

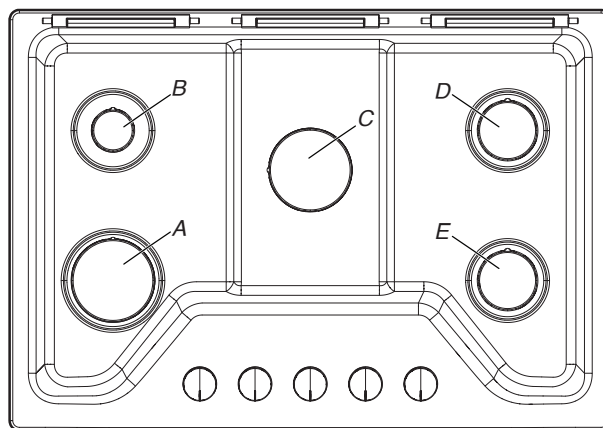
Famille de modèles	Brûleur	Capacité du brûleur (BTU)	Couleur	Em-preinte (A)	Taille (mm)
WCG-K3030P et WCG-K5030P	Avant droit	9100	BLEU	130	1,30
	Avant gauche	12000	ROUGE	150	1,5
	Arrière droit	18000	NOIR	188	1,88
	Arrière gauche	5000	VERT	96	0,96
	Centre	S.O.	S.O.	S.O.	S.O.
WCG-K5036P, WCG-K7030P, WCG-K7530P, WCG-K7536P	Avant droit	9100	BLEU	130	1,30
	Avant gauche	12000	ROUGE	150	1,5
	Arrière droit	9100	BLEU	130	1,30
	Arrière gauche	5000	VERT	96	0,96
	Centre	18000	NOIR	188	1,88

Famille de modèles	Brûleur	Capacité du brûleur (BTU)	Couleur	Em-preinte (A)	Taille (mm)
WCG-K7036P	Avant droit	11000	ORANGE	143	1,43
	Avant gauche	12000	ROUGE	150	1,5
	Arrière droit	11000	ORANGE	143	1,43
	Arrière gauche	5000	VERT	96	0,96
	Centre	18000	NOIR	188	1,88



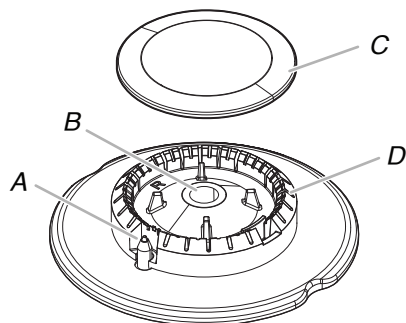
A. Empreinte

Emplacement des brûleurs



- A. Avant gauche
- B. Arrière gauche
- C. Centre
- D. Arrière droit
- E. Avant droit

6. Retirer tous les chapeaux et les bases des brûleurs (consulter le Guide de démarrage rapide pour des informations sur les brûleurs).

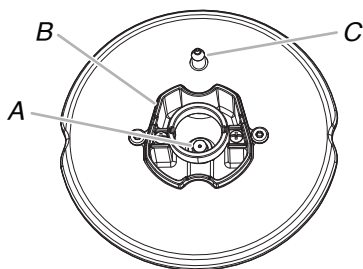


Flamme ordinaire

- A. Électrode d'allumage
B. Ouverture du tube d'arrivée de gaz
C. Chapeau de brûleur
D. Base du brûleur

7. Conversion du brûleur standard :

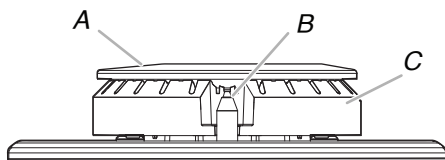
- À l'aide d'une clé de 7 mm, desserrer et retirer le gicleur (A).
- Conserver à part l'injecteur du brûleur.
- Remplacer le gicleur par un gicleur pour gaz naturel de taille correcte. Voir le tableau de sélection des gicleurs pour gaz naturel.



- A. Injecteur
B. Porte-injecteur
C. Électrode d'allumage par étincelle

8. Replacer la feuille isolante.
9. Replacer les bases et chapeaux de brûleur.

L'électrode d'allumage est en céramique et peut se briser durant l'opération de conversion. Lorsque l'on réinstalle la base du brûleur, veiller à ce que l'électrode traverse sans difficulté le trou dans le brûleur.



- A. Chapeau de brûleur
B. Électrode
C. Base du brûleur

10. Ouvrir le robinet d'arrêt de la canalisation de gaz. Le robinet est ouvert lorsque la manette est parallèle au conduit d'alimentation en gaz.

⚠ AVERTISSEMENT



Risque de décharge électrique

Brancher l'appareil sur une prise à 3 alvéoles reliée à la terre.

Ne pas enlever la prise de liaison à la terre.

Ne pas utiliser d'adaptateur.

Ne pas utiliser de rallonge.

Le non-respect de ces instructions peut causer un décès, un incendie ou une décharge électrique.

11. Brancher la table de cuisson ou reconnecter la source de courant électrique.

MÉMORISER : Après avoir exécuté la conversion de chaque brûleur de la table de cuisson, effectuer un test de recherche des fuites en appliquant une solution homologuée (non corrosive) pour détection des fuites sur les connexions du circuit de gaz. L'apparition de bulles indique une fuite. Éliminer toute fuite détectée.

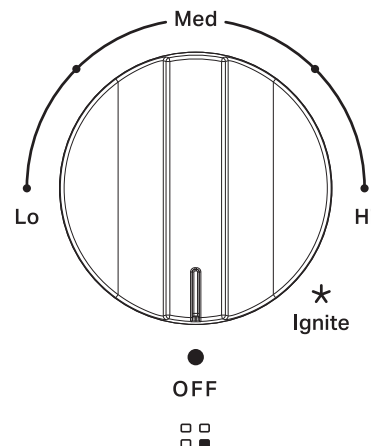
12. Pour régler les robinets simples et doubles, consulter la section « Réglage de la taille des flammes ».

Allumeurs électroniques – allumage

À la place de flammes de veille, les brûleurs de la table de cuisson sont dotés d'allumeurs électroniques. Lorsqu'on pousse et tourne le bouton de commande d'un brûleur de la table de cuisson à la position ★Allumage, le système génère des étincelles pour l'allumage du brûleur. La génération d'étincelles se poursuit jusqu'au moment où l'utilisateur ramène le bouton de commande au réglage désiré.

Contrôle du fonctionnement des brûleurs de la table de cuisson :

1. Enfoncer et tourner les boutons à ★Allumage. Le gaz doit s'enflammer sur le brûleur en moins de 4 secondes. Lors de l'allumage initial du brûleur, le délai d'allumage peut être supérieur à 4 secondes du fait de la présence d'air dans la canalisation de gaz. Après l'inflammation du gaz, ne pas laisser le bouton à la position ★ Allumage.



2. Si le brûleur ne s'allume pas correctement, tourner le bouton de commande à OFF (ARRÊT). Veiller à ce que le chapeau de brûleur soit à la position correcte.
3. Vérifier que le cordon d'alimentation électrique est branché, que le tableau de disjoncteurs ne s'est pas déclenché et qu'aucun fusible n'est grillé.
4. Vérifier que le robinet d'arrêt est à la position on (ouvert).
5. Contrôler de nouveau le fonctionnement du brûleur.

Si un ou tous les brûleurs ne s'allument pas à ce stade, voir le guide de démarrage rapide pour obtenir des informations de contact.

Réglage pour le débit thermique minimum

La flamme de chaque brûleur a été réglée en usine à la position la plus basse pour que le dispositif de réallumage du brûleur fonctionne constamment d'une manière fiable. Cependant, il est possible de régler chaque brûleur.

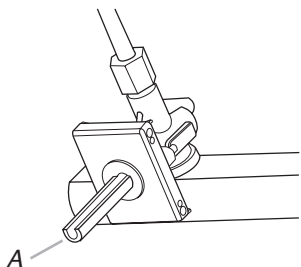
Processus de réglage :

1. Après l'allumage, placer le bouton de commande du brûleur à la position Lo (enfoncer et faire tourner).
2. Si le brûleur ne reste pas allumé à Lo, placer le bouton de commande à ★ Allumage pour obtenir l'allumage du brûleur.
3. Ramener rapidement le bouton de commande à Lo.

Si le brûleur s'éteint alors, on doit ajuster le réglage du robinet.

Réglage du robinet :

1. Ôter le(s) bouton(s) de commande.
2. Insérer un tournevis à lame plate dans la tige creuse du robinet, pour faire tourner la vis à fentes.



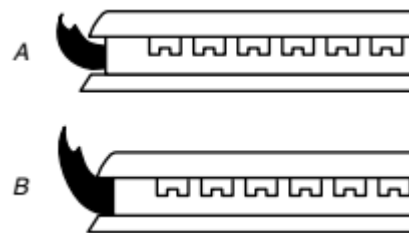
A. Tige du robinet pour un brûleur standard

3. La rotation de la vis permet d'augmenter ou de diminuer la taille des flammes. Régler la taille des flammes de telle manière qu'il soit possible de faire passer rapidement le bouton de commande de la position Hi à la position Lo sans provoquer l'extinction des flammes sur le brûleur. Il faut que les flammes soient aussi petites que possible, sans que ceci provoque l'extinction du brûleur.

REMARQUE : Si l'appareil est utilisé à une altitude élevée, aucun autre réglage des brûleurs n'est nécessaire.

Achever le réglage des brûleurs

1. Contrôler la taille et la forme des flammes sur chaque brûleur. Pour le réglage au débit thermique minimum, on doit observer des flammes stables bleues de 1/4 po (6,4 mm).



A. Débit thermique minimum
B. Débit thermique maximum

2. Compléter l'étiquette de conversion; fixer l'étiquette sur le fond de la table de cuisson, à côté de la plaque signalétique. Ne pas recouvrir la plaque signalétique avec l'étiquette.

IMPORTANT :

Placer les gicleurs à gaz dans le sachet de pièces en plastique et les conserver avec le sachet de documentation, pour pouvoir les réutiliser ultérieurement.

Lire la section « Brûleurs de surface scellés » du guide de contrôle en ligne.

Déplacement de la table de cuisson

⚠ AVERTISSEMENT



Risque de Décharge Électrique

Déconnecter la source de courant électrique avant l'entretien.

Le non-respect de ces instructions peut causer un décès ou une décharge électrique.

⚠ AVERTISSEMENT



Risque d'explosion

Utiliser une canalisation neuve d'arrivée de gaz approuvée par la CSA International.

Installer un robinet d'arrêt.

Bien serrer chaque organe de connexion de la canalisation de gaz.

En cas de connexion au gaz propane, demander à une personne qualifiée de s'assurer que la pression de gaz ne dépasse pas 14 po (36 cm) dans la colonne d'eau.

Par personnel qualifié, on entend : personnel agréé de chauffage, personnel agréé d'une compagnie de gaz, et personnel d'entretien agréé.

Le non-respect de ces instructions peut causer un décès, une explosion ou un incendie.

⚠ AVERTISSEMENT

Risque de poids excessif

Utiliser deux personnes ou plus pour déplacer et installer l'appareil.

Le non-respect de cette instruction peut causer une blessure au dos ou d'autres blessures.

Si le déplacement de la table de cuisson est nécessaire pour le nettoyage ou l'entretien :

1. Débrancher l'alimentation.
2. Couper l'alimentation en gaz.
3. Débrancher le raccord en acier inoxydable souple.
4. Dévisser les supports de montage.
5. À l'aide de deux personnes ou plus, placer la table de cuisson sur une surface couverte.
6. Effectuer le nettoyage ou l'entretien.
7. Réinstaller la table de cuisson en utilisant la section « Installation de la table de cuisson » du manuel du propriétaire.

NOTES

NOTES

NOTES

NOTES