



# 30" (76.2cm) and 36" (91.4cm) Wall-Mount Range Hood

## PRODUCT MODEL NUMBERS

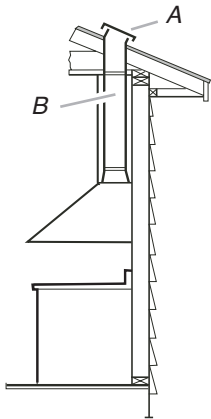
GZ9730XS  
GZ9736XS

A 120 Volt, 60Hz., AC only 15-amp fused, electrical supply (or circuit breaker) is required. (A time-delay fuse or circuit breaker is recommended.) It is recommended that a separate circuit serving only this appliance be provided.

Set the grounded 3 prong outlet within the space covered by the decorative flues.

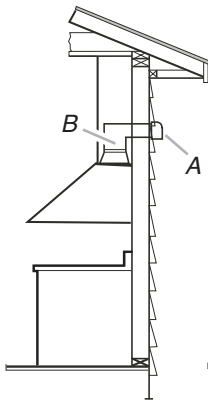
## VENTING REQUIREMENTS

### Roof Venting



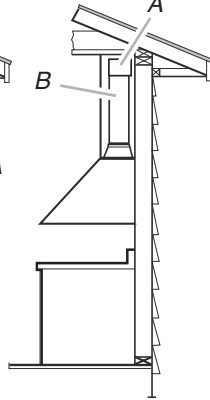
A. Roof cap  
B. 6" (15.2 cm) round vent

### Wall Venting



A. Wall cap  
B. 6" (15.2 cm) round vent

### Non-vented (recirculating)



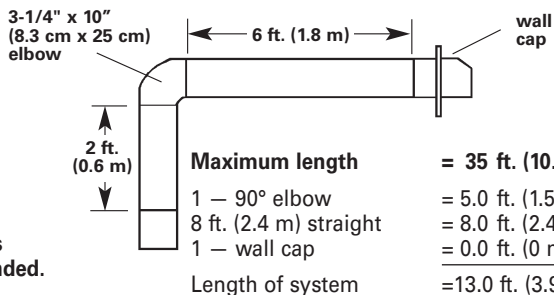
A. Deflector  
B. 6" (15.2 cm) round vent

## Calculating Vent System Length

To calculate the length of the system you need, add the equivalent feet (meters) for each vent piece used in the system.

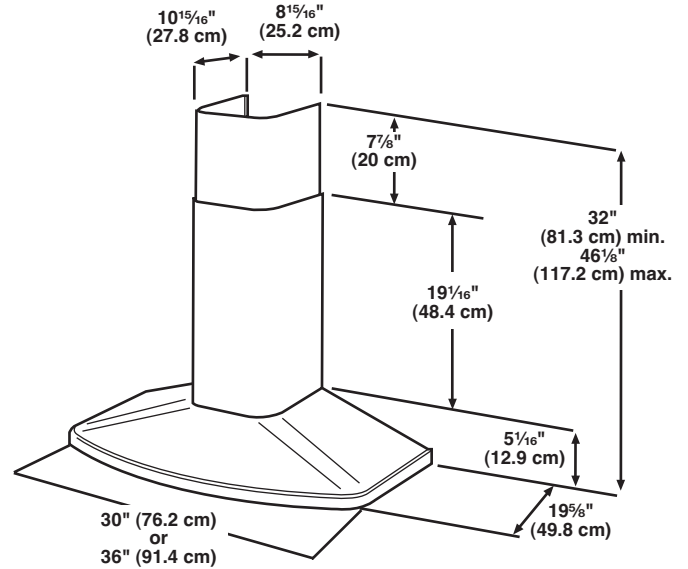
Vent Piece	6" (15.2 cm) Round	
45° elbow	2.5 ft (0.8 m)	
90° elbow	5.0 ft (1.5 m)	

### 3-1/4" x 10" (8.3 cm x 25 cm) vent system



**Note:**  
Flexible vent is Not recommended.

## OVERALL DIMENSIONS



## CABINET OPENING DIMENSIONS

