



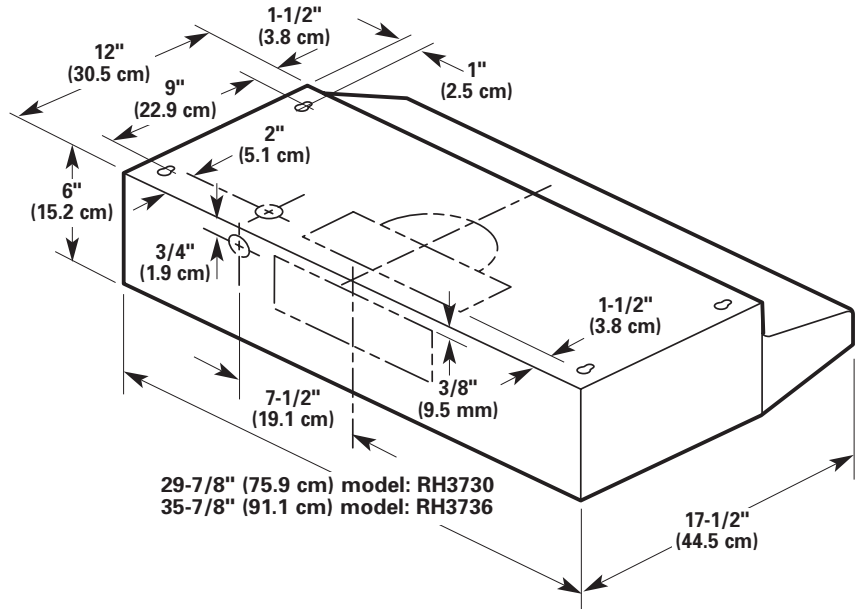
Convertible Range Hood

PRODUCT MODEL NUMBERS

RH3730XL
RH3736XL

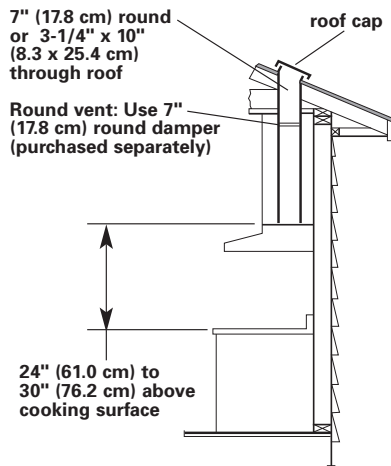
Electrical: 120-volt, 60-Hz, AC-only, 15-amp. electrical supply. Use copper wire only. A time-delay fuse or circuit breaker and separate circuit is recommended.

OVERALL DIMENSIONS

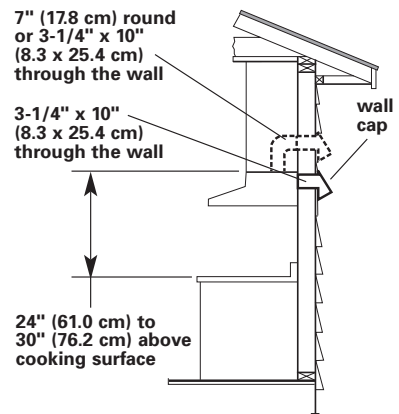


VENTING REQUIREMENTS

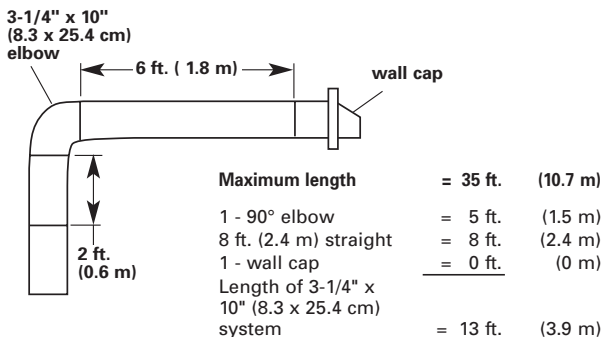
Vertical roof venting



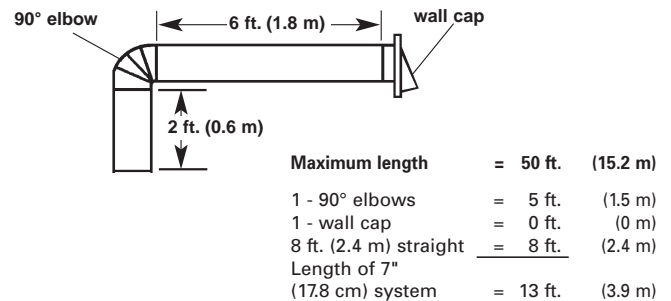
Horizontal wall venting



3-1/4" x 10" (8.3 x 25.4 cm) vent system



7" (17.8 cm) vent system



Recommended standard fittings

| | | |
|--|--|---|
| | | |
| 3-1/4" x 10" (8.3 x 25.4 cm) 90° elbow = 5 ft. (1.5 m) | 3-1/4" x 10" (8.3 x 25.4 cm) flat elbow = 12 ft. (3.7 m) | 3-1/4" x 10" (8.3 x 25.4 cm) wall cap = 0 ft. (0 m) |

Recommended standard fittings

| | | | | |
|---------------------------|-----------------------------|-------------------------------------|--|--|
| | | | | |
| 90° elbow = 5 ft. (1.5 m) | 45° elbow = 2.5 ft. (0.8 m) | 7" (17.8 cm) wall cap = 0 ft. (0 m) | 3-1/4" x 10" (8.3 x 25.4 cm) to 7" (17.8 cm) = 4.5 ft. (1.4 m) | 3-1/4" x 10" (8.3 x 25.4 cm) to 7" (17.8 cm) 90° elbow = 5 ft. (1.5 m) |