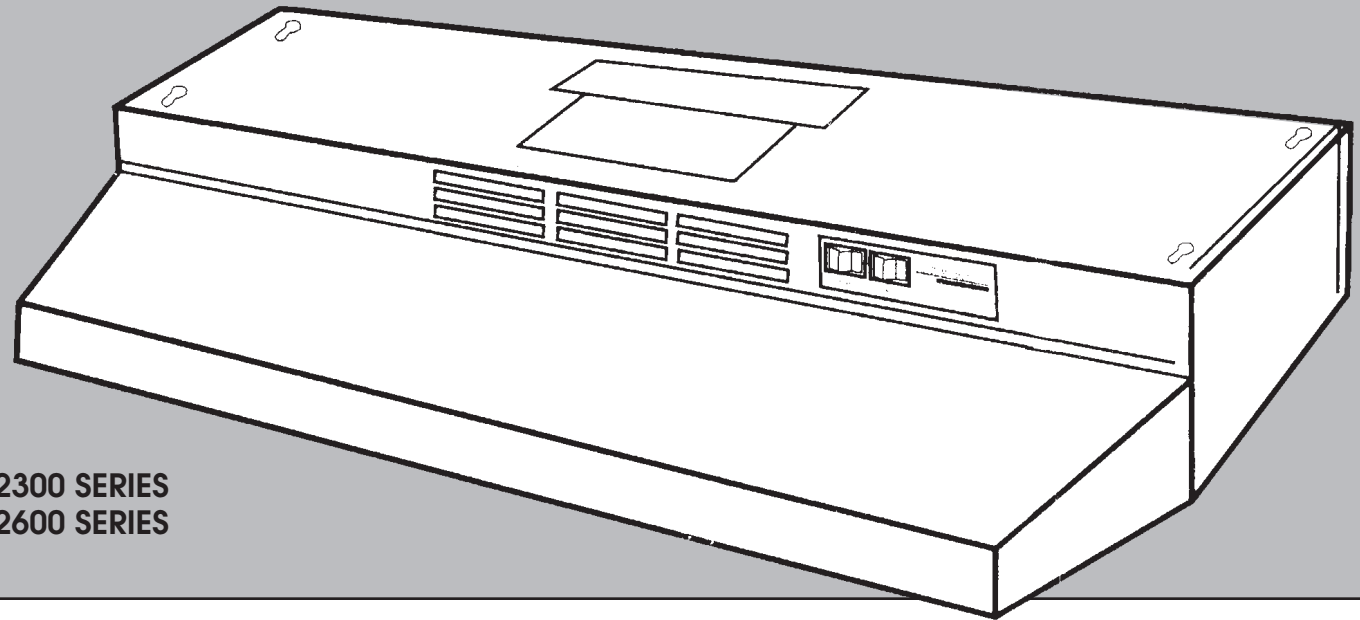


# Installation Instructions and Use and Care



RH2300 SERIES  
RH2600 SERIES

[www.whirlpool.com](http://www.whirlpool.com)

**IMPORTANT:**  
Read and save  
these instructions.

**IMPORTANT:**

**Installer:** Leave Installation Instructions with homeowner.

**Homeowner:** Keep Installation Instructions for future reference.

**Save:** Installation Instructions for electrical inspector's use.

**24", 30" and 36"  
Custom Series  
Range Hood**

628010A/9763371

## Before you start...

**Your safety and the safety of others are very important.**

We have provided many important safety messages in this manual and on your appliance. Always read and obey all safety messages.



This is the safety alert symbol.

This symbol alerts you to potential hazards that can kill or hurt you and others.

All safety messages will follow the safety alert symbol and either the word "DANGER" or "WARNING". These words mean:

### **DANGER**

You can be killed or seriously injured if you don't immediately follow instructions.

### **WARNING**

You can be killed or seriously injured if you don't follow instructions.

All safety messages will tell you what the potential hazard is, tell you how to reduce the chance of injury, and tell you what can happen if the instructions are not followed.

**Important: Observe all governing codes and ordinances.**

Proper installation is your responsibility. Make sure you have everything necessary for correct installation. It is the responsibility of the installer to comply with the clearances specified.

Check the location where the range hood will be installed. The location should be away from strong draft areas, such as windows, doors, and strong heating vents.

## Tools and materials needed for installation:

- compass or 7" circle template
- pliers
- level
- Phillips screwdriver
- metal snips
- drill
- 1-1/4" drill bit
- pencil
- ruler
- caulking gun
- saber saw
- keyhole saw
- duct tape

### Mobile home installation

The installation of this range hood must conform to the Manufactured Home Construction Safety Standards, Title 24 CFR, Part 328 (formerly the Federal Standard for Mobile Home Construction and Safety, Title 24, HUD, Part 280) or when such standard is not applicable, the Standard for Manufactured Home Installation 1982 (Manufactured Home Sites, Communities and Setups) ANSI A225.1/NFPA 501A, or latest edition, or with local codes.

## Electrical requirements

**Important: Observe all governing codes and ordinances.**

**It is the customer's responsibility:**

To contact a qualified electrical installer.

To assure that the electrical installation is adequate and in conformance with National Electrical Code, ANSI/NFPA 70 — latest edition\*, and all local codes and ordinances.

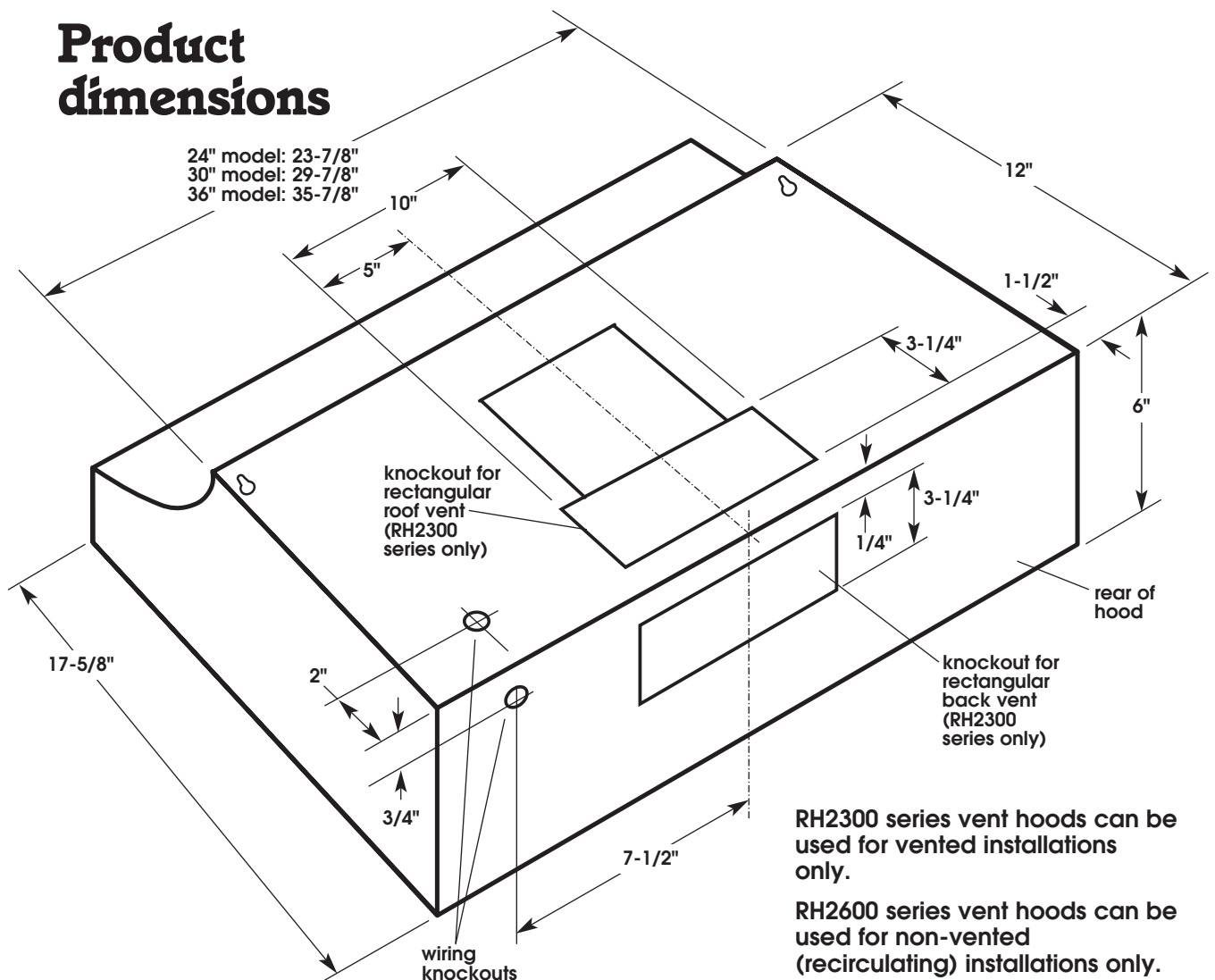
If codes permit and a separate ground wire is used, it is recommended that a qualified electrician determine that the ground path is adequate.

Do not ground to a gas pipe.

Check with a qualified electrician if you are not sure range hood is properly grounded.

Do not have a fuse in the neutral or ground circuit.

## Product dimensions



**RH2300 series vent hoods can be used for vented installations only.**

**RH2600 series vent hoods can be used for non-vented (recirculating) installations only.**

**A.** A 115-volt, 60-Hz, AC-only, fused electrical supply is required. The total ampere load used, including the range hood, must not exceed 90% of the rated capacity of the circuit. The ampere rating of the range hood is located on the model/serial number rating plate located on the side cover of the blower motor housing.

**B.** The range hood must be connected with copper wire only.

**C.** The range hood can be connected directly to the fused disconnect (or circuit breaker) box through flexible armored or nonmetallic sheathed copper cable. A U.L.-listed strain relief must be provided at each end of the power supply cable. Wire sizes (COPPER WIRE ONLY) and connections must conform with the rating of the appliance as specified on the model/serial rating plate.

For power cord connected installations, a U.L.-listed range hood cord-connection kit MUST be used. Note: Some models come with a factory installed 3 ft. long power cord having a 3-prong ground plug.

Wire sizes must conform to the requirements of the National Electrical Code ANSI/NFPA 70 — latest edition\*, and all local codes and ordinances.

**WARNING — TO REDUCE THE RISK OF FIRE, ELECTRIC SHOCK, OR INJURY TO PERSONS, OBSERVE THE FOLLOWING:**

Installation work and electrical wiring must be done by qualified person(s) in accordance with all applicable Codes and Standards, including Fire Rated Construction. Sufficient air is needed for proper combustion and exhausting of gases through the flue (chimney) of fuel burning equipment to prevent back drafting. Follow the heating equipment manufacturer's guideline and safety standards such as those published by the National Fire Protection Association (NFPA), and the American Society of Heating Refrigeration and Air Conditioning Engineers (ASHRAE), and the local code authorities.

When cutting or drilling into wall or ceiling, do not damage electrical wiring and other hidden utilities.

Ducted fans must always be vented to the outdoors.

**WARNING — To reduce the risk of fire, use only metal ductwork.**

**WARNING — To reduce the risk of fire or electrical shock, do not use this fan with any solid-state speed control device.**

**WARNING — TO REDUCE THE RISK OF FIRE, ELECTRIC SHOCK, OR INJURY TO PERSONS, OBSERVE THE FOLLOWING:**

Use this unit only in the manner intended by the manufacturer. If you have questions, contact the manufacturer. Before servicing or cleaning unit, switch power off at service panel and lock switch power off at service panel and lock service panel to prevent power from being switched on accidentally. When the service disconnecting means cannot be locked, securely fasten a prominent warning device such as a tag to the service panel.

**CAUTION: For general ventilating use only. Do not use to exhaust hazardous or explosive materials and vapors.**

**WARNING — TO REDUCE THE RISK OF A RANGE TOP GREASE FIRE:**

Never leave surface units unattended at high settings. Boilovers cause smoking and greasy spillovers that may ignite. Heat oils slowly on low or medium settings.

Always turn hood ON when cooking at high heat or when cooking flaming foods.

Clean ventilating fans frequently. Grease should not be allowed to accumulate on fan or filter.

Use proper pan size. Always use cookware appropriate for the size of the surface element.

**WARNING — TO REDUCE THE RISK OF INJURY TO PERSONS IN THE EVENT OF A RANGE TOP GREASE FIRE, OBSERVE THE FOLLOWING:**

**SMOTHER FLAMES** with a close-fitting lid, cookie sheet, or metal tray, then turn off the burner. **BE CAREFUL TO PREVENT BURNS.** If the flames do not go out immediately, **EVACUATE AND CALL THE FIRE DEPARTMENT.**

**NEVER PICK UP A FLAMING PAN — You may be burned.**

**DO NOT USE WATER**, including wet dishcloths or towels — a violent steam explosion will result. Use an extinguisher **ONLY** if:

You know you have a Class ABC extinguisher, and you already know how to operate it.

The fire is small and contained in the area where it is started.

The fire department is being called.

You can fight the fire with your back to an exit.

Copies of standards listed may be obtained from:

\* National Fire Protection Association  
Batterymarch Park  
Quincy, Massachusetts 02269

# Venting requirements

## Vented-only models

**Note: Non-vented (recirculating-only) models cannot be converted to vent.**

Venting system must terminate to the outside.

Do not terminate the vent in an attic or other enclosed space.

Do not use four-inch laundry-type wall caps.

Do not use plastic vent.

**Vent system needed for installation is not included. Backdraft damper supplied with product must be used. If roof or wall cap has a damper, do not use damper supplied with hood. Use metal vent only. Rigid metal vent is recommended.**

Determine which outside venting method you need to use.

The length of the vent and number of elbows should be kept to a minimum to provide efficient performance. The size of the vent should be uniform. Do Not install two elbows together. Use duct tape to seal all joints in the vent system. Vent can terminate either through the roof or wall. Use caulking to seal exterior wall or roof opening around exhaust hood. For the most efficient and quiet operation, it is recommended that the range hood be vented vertically through the roof using 7" round vent.

Figures 1-4 show common venting methods and what types of materials are needed.

## Vertical roof venting

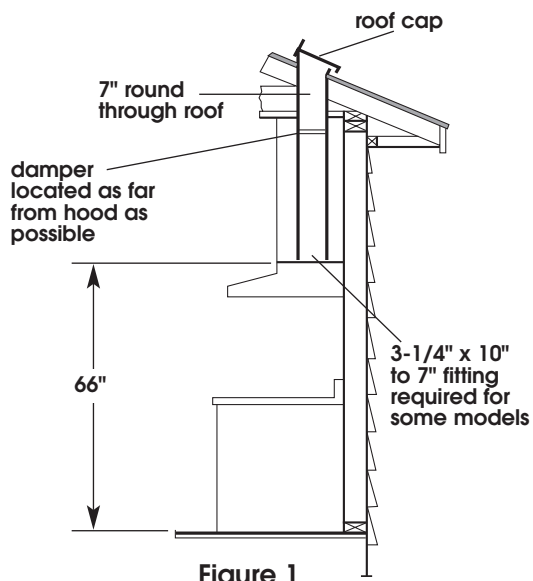


Figure 1

## Vertical roof venting

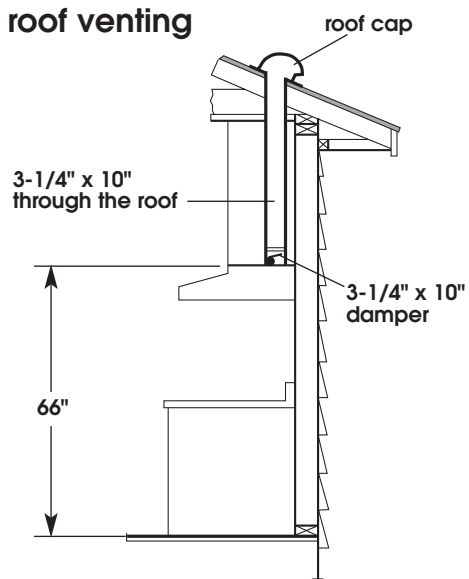


Figure 2

## Horizontal wall venting

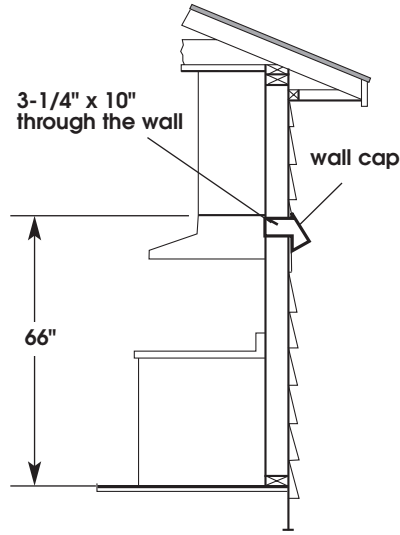


Figure 3

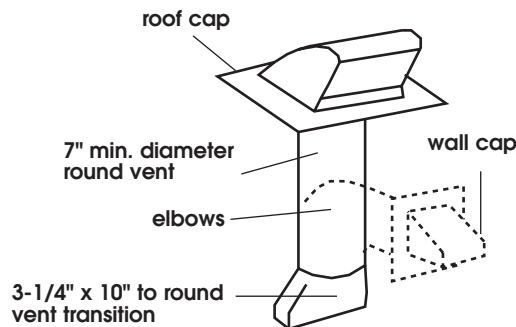
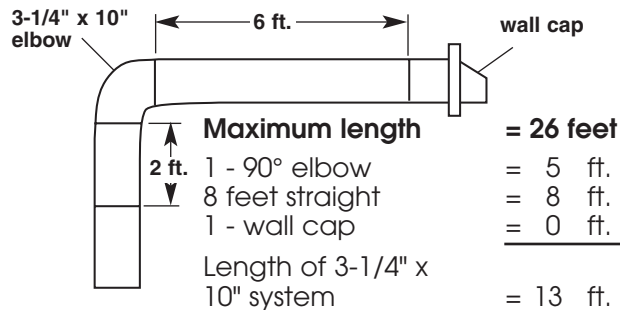


Figure 4

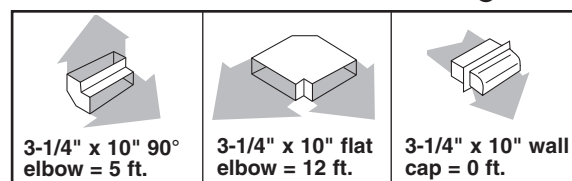
## Recommended vent length

Use 3-1/4 x 10" or 7" vent with a maximum length of 26 feet for vent system. For best performance, use no more than three 90° elbows. To calculate the length of system you need, add the equivalent feet for each vent piece used in the system. See the following examples.

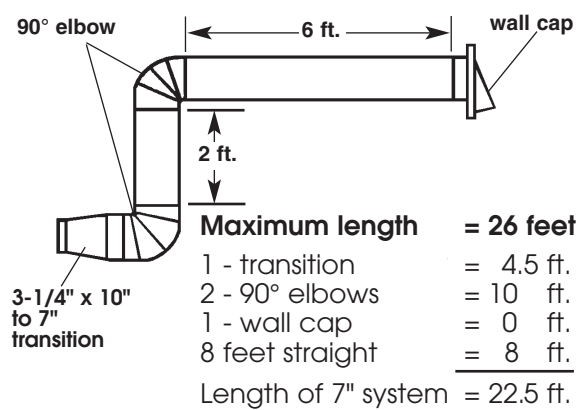
### 3-1/4" x 10" vent system



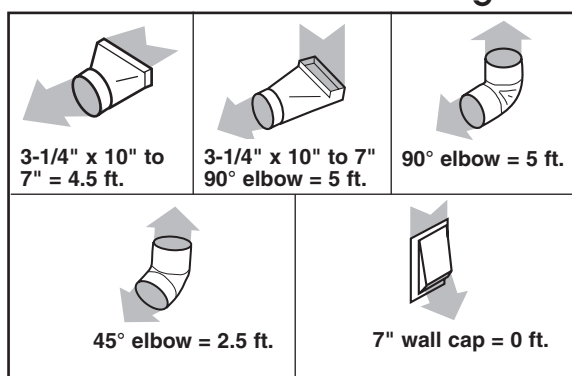
## Recommended standard fittings



### 7" vent system



## Recommended standard fittings



# Now start...

With range hood in kitchen.

Slide cardboard or hardboard under range before moving range across floor to prevent damaging floor covering.

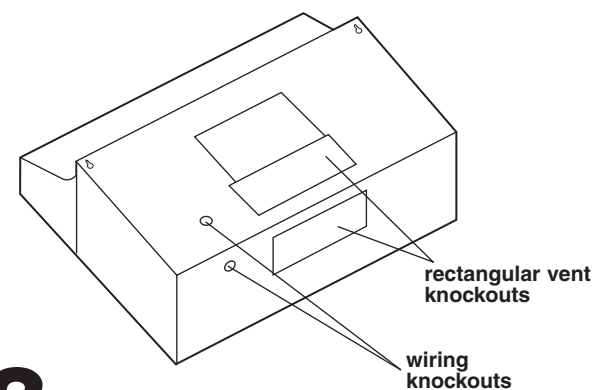
Cover countertop, cooktop or set-in range with a thick, protective covering to prevent damaging countertop.

**1.** Disconnect and move freestanding range from cabinet opening to provide easier access to upper cabinet and rear wall. Put a thick, protective covering over cooktop, set-in range or countertop to protect from damage or dirt.

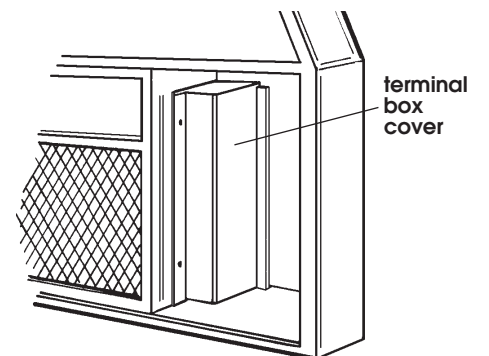
**2.** If your range hood is a vented-only model, determine which venting method (roof or wall venting) you need to use.

If your range hood is a non-vented-(recirculating) only model, go to Step 3a, Panel D.

## To install a vented-only model installation:



**3.** Remove knockout from the wiring opening (top or rear) to be used. For rectangular venting, remove only the 3-1/4 x 10" rectangular opening knockout for the venting method (roof or wall) you have selected.



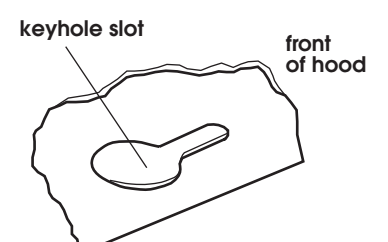
**4.** If your model does NOT have a factory installed power cord, remove terminal box cover from range hood.

## WARNING

### Excessive Weight Hazard

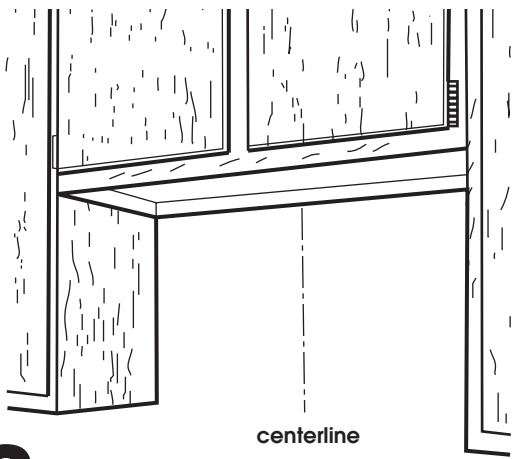
Use two or more people to move and install range hood.

Failure to follow this instruction can result in back or other injury.

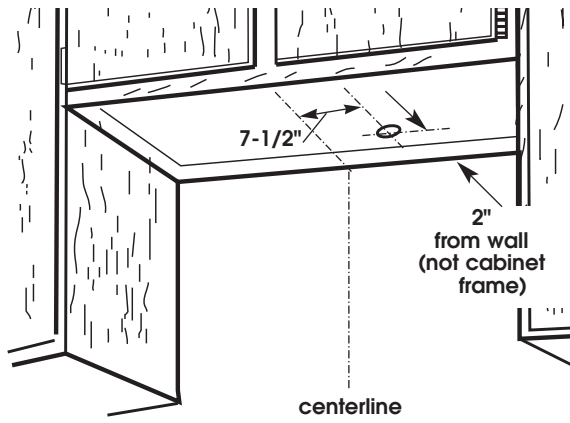


**5.** Lift the range hood into final position and center. Mark on the underside of cabinet the location of the four keyhole mounting slots. Set range hood aside on a protected surface.

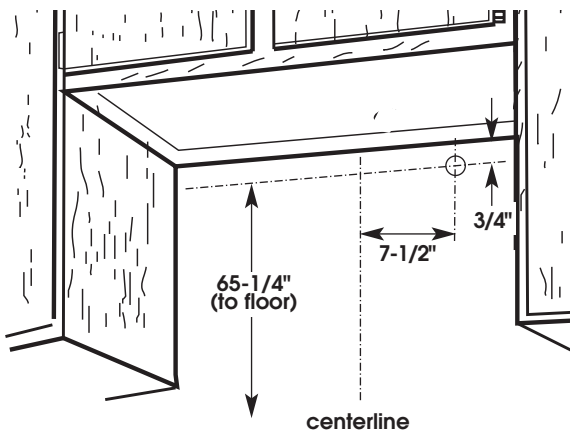




**6.** Determine and clearly mark a vertical centerline on the wall and cabinet in the area the vent opening will be made.

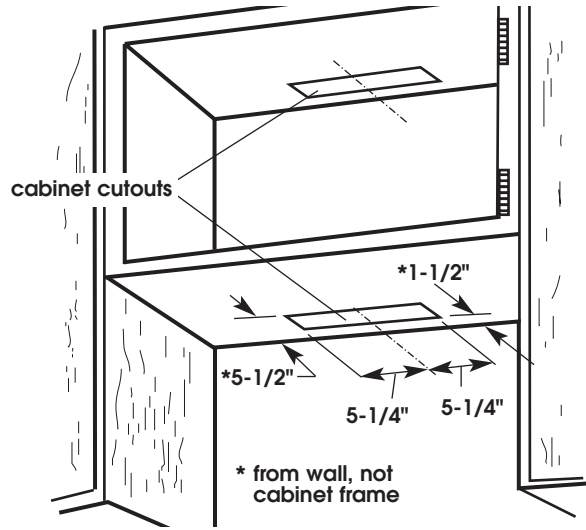
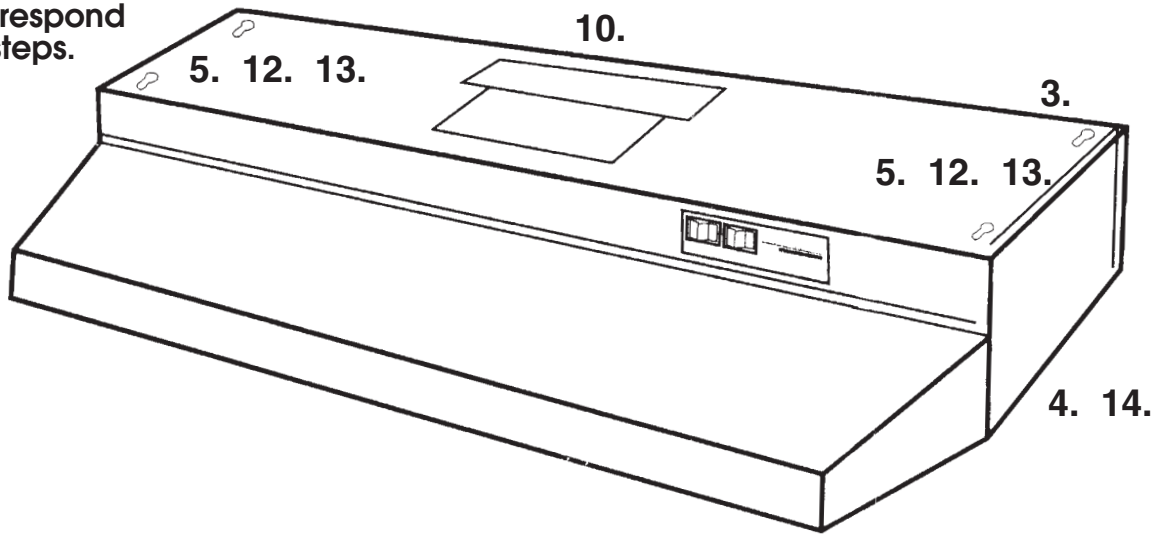


**7.** To wire through top, mark a line 7-1/2" from the right of the centerline on the underside of the cabinet. Mark the point on this line that is 2" from back wall. Drill a 1-1/4" diameter hole through the cabinet at this point. Note: If a cord-connection kit is used, drill a 1-5/8" diameter hole.



To wire through rear, mark a line 7-1/2" from the right of the centerline on the wall. Mark the point on this line that is 65-1/4" from the floor (or 3/4" from underside of cabinet). Drill a 1-1/4" diameter hole through wall at this point.

Numbers correspond to steps.

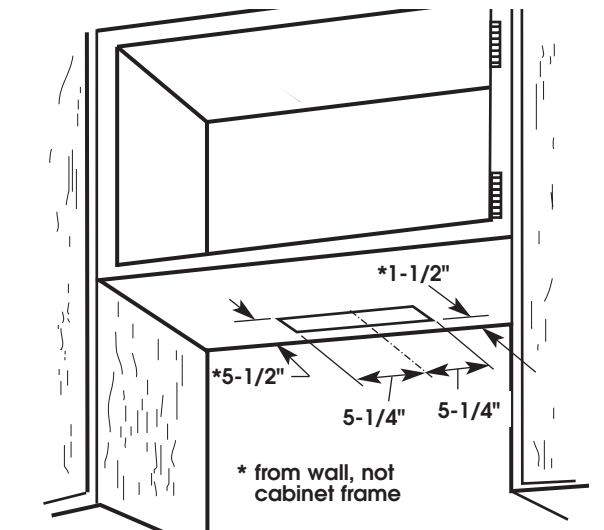


**8.** To make a 4" x 10-1/2" rectangle on the underside of cabinet top and bottom:

- Mark lines 1-1/2" and 5-1/2" from the back wall on the centerline of the underside of cabinet.
- Mark lines 5-1/4" to the right and left of the centerline on the underside of cabinet.
- Use saber and keyhole saws to cut a rectangular opening for vent.
- Repeat steps a-c for the underside of the top of the cabinet.

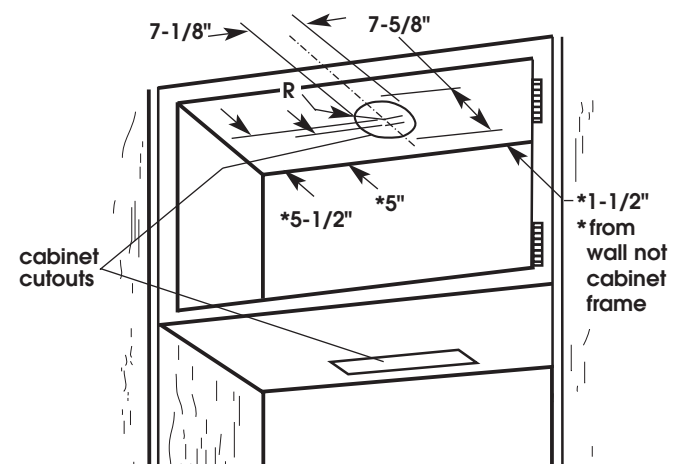
If venting through the wall with 3-1/4" x 10" rectangular vent —  
To make a 4" x 10-1/2" rectangle in the wall:

- Measure from floor 65-7/8" and 62-3/8" (or 1/8" and 3-5/8" down from underside of cabinet) and mark on the centerline on the back wall.
- Mark lines 5-1/4" to the right and left of the centerline on the underside of cabinet.
- Use saber and keyhole saws to cut a rectangular opening for vent.



To transition from a 3-1/4" x 10" rectangular vent to a 7" round vent and vent through the roof —  
Start by making a 4" x 10-1/2" rectangle on the underside of cabinet bottom:

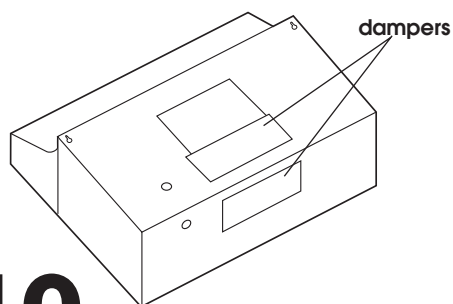
- Mark lines 1-1/2" and 5-1/2" from the back wall on the centerline of the underside of cabinet.
- Mark lines 5-1/4" to the right and left of the centerline on the underside of cabinet.
- Use saber and keyhole saws to cut a rectangular opening for vent.



Now make a 7-1/8" x 7-5/8" slot on the underside of the cabinet tops.

- Mark lines 5" and 5-1/2" from the back wall on the centerline on the underside of the top of cabinet.
- Draw two 7-1/8" circles using the marks made in step d as center points.
- Use saber and keyhole saws to cut a slotted (oval) opening to make installing 7" round vent easier.

**9.** Install vent through the vent opening in upper cabinet or wall. Complete venting system according to method needed. See "Venting requirements." Use caulking to seal exterior wall or roof opening.

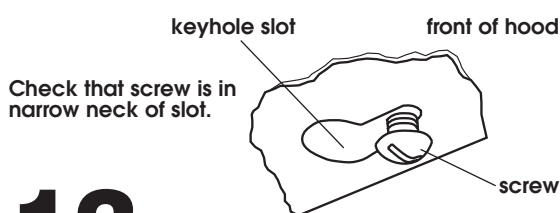


**10.** If roof or wall cap does not have a damper, attach rectangular damper supplied with hood to selected rectangular vent opening. If damper is attached to back of range hood, be sure damper hinge is toward the top.

If roof or wall cap does not have a damper and round vent is used, install damper (supplied with hood) in vent to prevent air from flowing back into vent.

If roof or wall cap has a damper, Do not use damper blade supplied with range hood.

**11.** Do not turn on power until installation is complete. Run wiring through wall or cabinets according to the National Electrical Code and local codes and ordinances. Use caulking to seal ceiling or outside wall opening.



**12.** Start screws in the center of the narrow neck of each of the four keyhole mounting screw slots marked on the cabinet bottom.

**13.** Lift range hood into final position, feeding electrical wire through wiring opening. Tighten mounting screws to cabinet, making sure mounting screws are in narrow neck of slots.

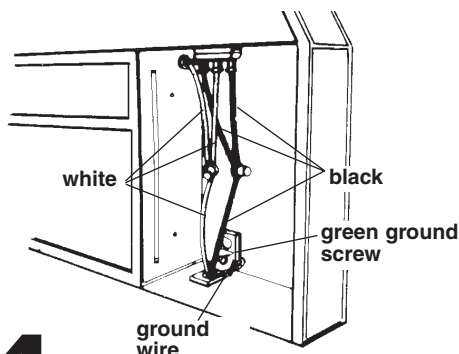
**⚠ WARNING**

**Electrical Shock Hazard**

**Disconnect power before making electrical connections.**

**Connect ground wire to green ground screw in terminal box.**

**Failure to do so can result in death or electrical shock.**



**14.** For models requiring direct wiring:

Connect the white and black wires of the power supply cable to the white and black leads in the range hood with twist-on connectors.

Connect the power supply ground wire to the green ground screw inside the range hood terminal box.

Use caulking to seal wire opening. Replace terminal box cover

**Panel D**

For cord connected models:

**⚠ WARNING**

**Electrical Shock Hazard**

**Plug into a grounded 3-prong outlet.**

**Do not remove ground prong.**

**Do not use an adapter.**

**Failure to follow these instructions can result in death, fire, or electrical shock.**

For your personal safety, this range hood must be grounded. To minimize possible shock hazard, the cord must be plugged into a mating, 3-prong, ground-type outlet, grounded in accordance with National Electrical Code, ANSI/NFPA 70 – latest edition\* and all local codes and ordinances.

If mating outlet is not available, it is the responsibility and obligation of the customer to have a properly grounded, 3-prong outlet installed by a qualified electrician.

Do not use an extension cord.

**Using a U.L.-listed power supply cord-connection kit:**

Follow Power Cord Kit instructions for connecting wiring.

Replace terminal box cover.

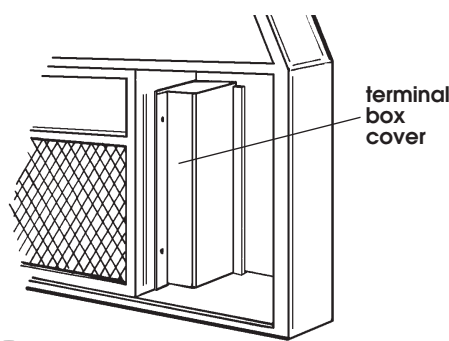
**For models with a factory installed power cord:**

Plug power cord into grounded 3-prong outlet.

**15.** Turn power supply on.

**To install a non-vented (recirculating-only) model:**

**3a.** Remove knockout from the wiring opening (rear or top) to be used. The range hood cabinet may have venting knockouts. **Do not remove these venting knockouts.** The model **cannot** be vented.



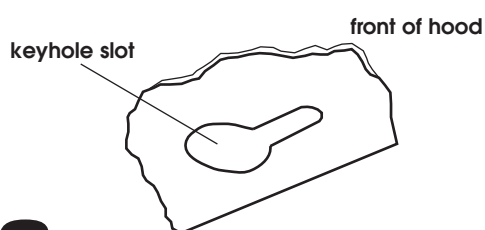
**4a.** If your model does NOT have a factory installed power cord, remove terminal box cover on range hood.

**⚠ WARNING**

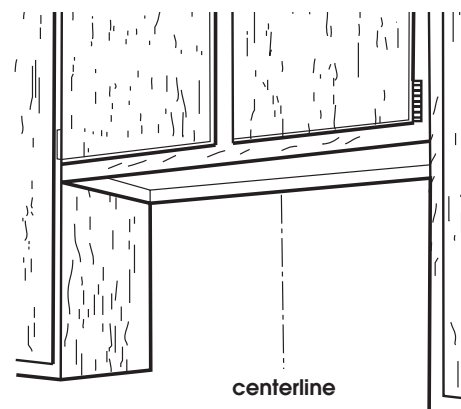
**Excessive Weight Hazard**

**Use two or more people to move and install range hood.**

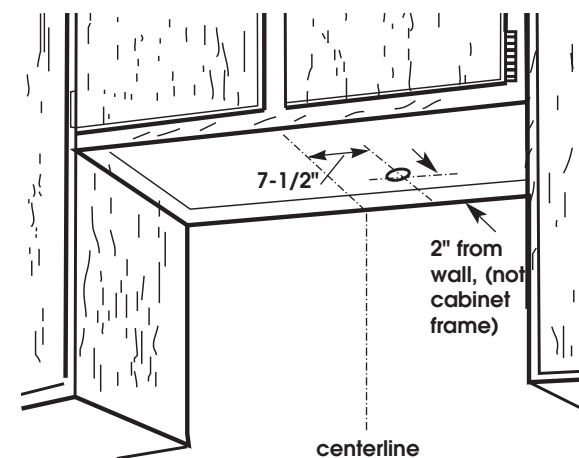
**Failure to follow this instruction can result in back or other injury.**



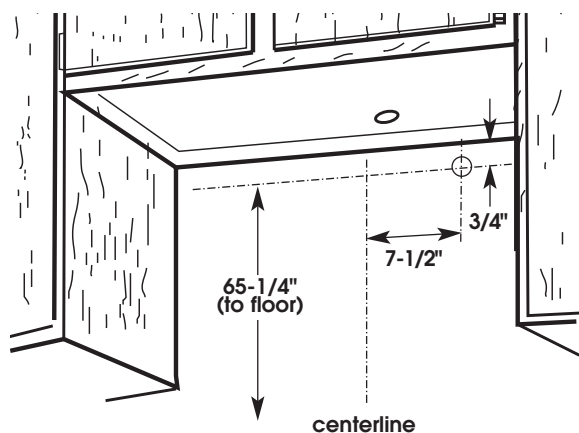
**5a.** Lift range hood into final position and center. Mark on underside of cabinet the location for the four keyhole mounting slots. Set range hood aside on a protected surface.



**6a.** Determine and clearly mark a vertical centerline in the cabinet opening.

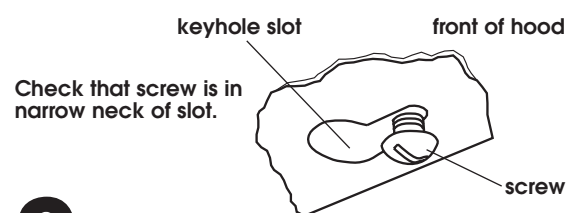


**7a.** To wire through top, mark a line 7-1/2" from the right of the centerline on the underside of the cabinet. Mark the point on this line that is 2" from the back wall. Drill a 1-1/4" diameter hole through cabinet at this point. Note: If a cord-connection kit is used, drill a 1-5/8" diameter hole.



To wire through rear, mark a line 7-1/2" from the right of the centerline on the wall. Mark the point on this line that is 65-1/4" from the floor (or 3/4" from underside of cabinet). Drill a 1-1/4" diameter hole through wall at this point.

**8a.** Do not turn on power until installation is complete. Use caulking to seal ceiling or outside wall opening. Run wiring through wall or cabinets according to the National Electrical Code and local codes and ordinances.



**9a.** Start screws in the center of the narrow neck of each of the four keyhole mounting screw slots marked on the cabinet bottom.

**10a.** Lift range hood into final position, feeding electrical wire through wiring opening. Tighten mounting screws to cabinet, making sure mounting screws are in narrow neck of slots.



## ⚠ WARNING

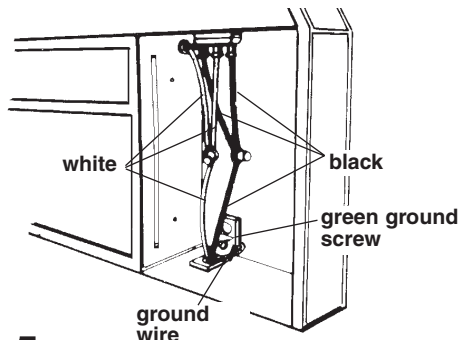


### Electrical Shock Hazard

Disconnect power before making electrical connections.

Connect ground wire to green ground screw in terminal box.

Failure to do so can result in death or electrical shock.



## 11a.

### For models requiring direct wiring:

Connect the white and black wires of the power supply cable to the white and black leads in the range hood with twist-on connectors.

Connect the power supply ground wire to the green ground screw inside the range hood terminal box.

Use caulking to seal wire opening.  
Replace terminal box cover.

### For cord connected models:

## ⚠ WARNING



### Electrical Shock Hazard

Plug into a grounded 3-prong outlet.

Do not remove ground prong.

Do not use an adapter.

Failure to follow these instructions can result in death, fire, or electrical shock.

For your personal safety, this range hood must be grounded. To minimize possible shock hazard, the cord must be plugged into a mating, 3-prong, ground-type outlet, grounded in accordance with National Electrical Code, ANSI/NFPA 70 – latest edition\* and all local codes and ordinances.

If mating outlet is not available, it is the responsibility and obligation of the customer to have a properly grounded, 3-prong outlet installed by a qualified electrician.

Do not use an extension cord.

### Using a U.L.-listed power supply cord-connection kit:

Follow Power Cord Kit instructions for connecting wiring.

Replace terminal box cover.

### For models with a factory installed power cord:

Plug power cord into grounded 3-prong outlet.

## 12a.

Turn power supply on.

## Use & Care Information

### OPERATION OF RANGE HOOD

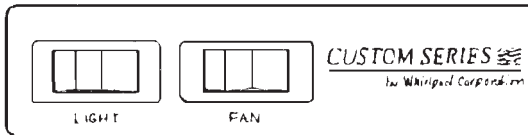
For best results, turn range hood fan on at beginning of cooking and allow it to run until all smoke and odors are removed from room.

#### To operate fan:

Press fan control to turn fan on and off and adjust fan speed. Speed may be increased or decreased anytime during range hood operation.

#### To operate light:

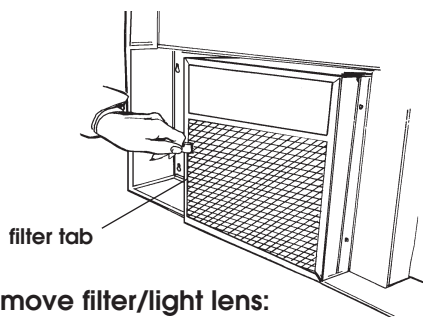
Press light control to turn light on or off. Light may be turned off or on anytime during range hood operation.



### CARE OF RANGE HOOD

#### Filter/light lens

For best results, remove and clean often.



#### To remove filter/light lens:

Pull firmly on filter tab to remove filter/light lens from range hood.

#### To clean filter/light lens:

Place filter/light lens in dishwasher or hot sudsy water to clean.

#### To reinstall filter/light lens:

Place edge of filter/light lens in opening so that right side is above flange and tab faces downward. Press filter/light lens into position.

#### When it's time to replace your aluminum filter/light lens, or charcoal filter pads:

1. Find the model/serial number rating plate located on the side cover of the fan motor housing.

Model Series RH2300 (vented):

Order Filter/Light Lens no. 883103

Model Series RH2600 (recirculating):

Order complete filter replacement kit no. 883093 (includes Filter/Light Lens no.883149 and Charcoal Filter Pads no. 883151.)

Filter/Light Lens, no. 883149 and Charcoal Filter Pads, no. 883151 can be ordered separately.

2. Call Whirlpool's Telesales line at 1-800-442-9991

3. Give the Telesales Representative the part number needed.

4. The Representative will give you the current price.

5. Place your order using your Master Card®, Visa® or Discover® credit card.

6. If you wish: mail a check or money order to:

Whirlpool Corporation  
1900 Whirlpool Drive  
LaPorte, IN 46350-9980  
Attn: Accessory Accounting

7. Be sure to ask the Telesales Representative about the wide variety of other Whirlpool Product Accessories.

#### To clean blower motor

Clean exterior of motor with a damp cloth and grease-cutting detergent.

#### Exterior surfaces

Clean the range hood with a mild detergent and soft cloth. Do Not use abrasive cleansers or steel wool pads.

#### Light

Do not use bulb larger than 60 watts in light socket.

Light bulb is not included.

## If range hood does not operate...

Check that the circuit breaker is not tripped or the house fuse blown.

## If you need assistance...

Call the Whirlpool Consumer Assistance Center telephone number. Dial toll-free from anywhere in the U.S.A. 1-800-253-1301 and talk with one of our trained consultants. The consultant can instruct you in how to obtain satisfactory operation from your appliance or, if service is necessary, recommend a qualified service company in your area.

If you prefer, write to:

Consumer Assistance Representative  
Whirlpool Corporation  
2000 North M-63  
Benton Harbor, MI 49022-2692

Please include a daytime phone number in your correspondence.

## If you need service...

Whirlpool has a nationwide network of authorized Whirlpool service companies. Whirlpool service technicians are trained to fulfill the product warranty and provide after-warranty service, anywhere in the United States. To locate the authorized Whirlpool service company in your area, call our Consumer Assistance Center telephone number (see "If you need assistance") or look in your telephone directory Yellow Pages under:

- APPLIANCE—HOUSEHOLD— MAJOR, SERVICE & REPAIR  
— See: Whirlpool Appliances or Authorized Whirlpool Service (Example: XYZ Service Co.)
- WASHING MACHINES & DRYERS, SERVICE & REPAIR  
— See: Whirlpool Appliances or Authorized Whirlpool Service (Example: XYZ Service Co.)

### When asking for help or service:

Please provide a detailed description of the problem, your appliance's complete model and serial numbers and the purchase date. This information will help us respond properly to your request.

## If you need FSP® replacement parts...

FSP is a registered trademark of Whirlpool Corporation for quality parts. Look for this symbol of quality whenever you need a replacement part for your WHIRLPOOL® appliance. FSP replacement parts will fit right and work right, because they are made to the same exacting specifications used to build every new WHIRLPOOL appliance.

To locate FSP replacement parts in your area, refer to "If you need service" or call the Whirlpool Consumer Assistance Center number in "If you need assistance."

Copies of standards listed may be obtained from:

\* National Fire Protection Association  
Batterymarch Park  
Quincy, Massachusetts 02269

---

# WHIRLPOOL CORPORATION MAJOR APPLIANCE WARRANTY

---

## ONE YEAR LIMITED WARRANTY

For one year from the date of purchase, when this major appliance is operated and maintained according to instructions attached to or furnished with the product, Whirlpool Corporation or Whirlpool Canada LP (hereafter "Whirlpool") will pay for FSP® replacement parts and repair labor to correct defects in materials or workmanship. Service must be provided by a Whirlpool designated service company.

---

## ITEMS WHIRLPOOL WILL NOT PAY FOR

1. Service calls to correct the installation of your major appliance, to instruct you how to use your major appliance, to replace or repair house fuses or to correct house wiring or plumbing.
  2. Service calls to repair or replace appliance light bulbs, air filters or water filters. Those consumable parts are excluded from warranty coverage.
  3. Repairs when your major appliance is used for other than normal, single-family household use.
  4. Damage resulting from accident, alteration, misuse, abuse, fire, flood, acts of God, improper installation, installation not in accordance with electrical or plumbing codes, or use of products not approved by Whirlpool.
  5. Any food loss due to refrigerator or freezer product failures.
  6. Replacement parts or repair labor costs for units operated outside the United States or Canada.
  7. Pickup and delivery. This major appliance is designed to be repaired in the home.
  8. Repairs to parts or systems resulting from unauthorized modifications made to the appliance.
  9. Expenses for travel and transportation for product service in remote locations.
  10. The removal and reinstallation of your appliance if it is installed in an inaccessible location or is not installed in accordance with published installation instructions.
- 

## DISCLAIMER OF IMPLIED WARRANTIES; LIMITATION OF REMEDIES

CUSTOMER'S SOLE AND EXCLUSIVE REMEDY UNDER THIS LIMITED WARRANTY SHALL BE PRODUCT REPAIR AS PROVIDED HEREIN. IMPLIED WARRANTIES, INCLUDING WARRANTIES OF MERCHANTABILITY OR FITNESS FOR A PARTICULAR PURPOSE, ARE LIMITED TO ONE YEAR OR THE SHORTEST PERIOD ALLOWED BY LAW. WHIRLPOOL SHALL NOT BE LIABLE FOR INCIDENTAL OR CONSEQUENTIAL DAMAGES. SOME STATES AND PROVINCES DO NOT ALLOW THE EXCLUSION OR LIMITATION OF INCIDENTAL OR CONSEQUENTIAL DAMAGES, OR LIMITATIONS ON THE DURATION OF IMPLIED WARRANTIES OF MERCHANTABILITY OR FITNESS, SO THESE EXCLUSIONS OR LIMITATIONS MAY NOT APPLY TO YOU. THIS WARRANTY GIVES YOU SPECIFIC LEGAL RIGHTS AND YOU MAY ALSO HAVE OTHER RIGHTS, WHICH VARY FROM STATE TO STATE OR PROVINCE TO PROVINCE.

---

Outside the 50 United States and Canada, this warranty does not apply. Contact your authorized Whirlpool dealer to determine if another warranty applies.

If you need service, first see the "Troubleshooting" section of the Use & Care Guide. After checking "Troubleshooting," additional help can be found by checking the "Assistance or Service" section or by calling Whirlpool. In the U.S.A., call **1-800-253-1301**. In Canada, call **1-800-807-6777**.

8/05