



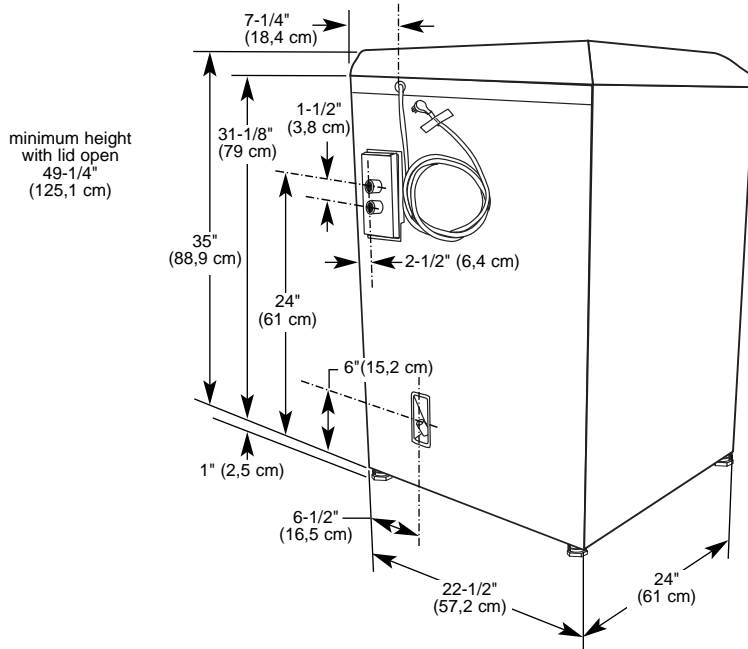
Compact Automatic Washer

PRODUCT MODEL NUMBERS

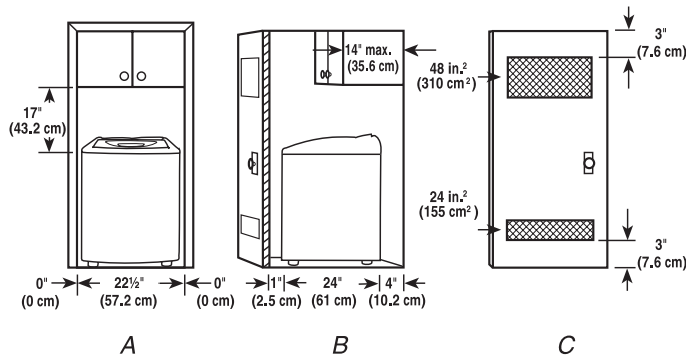
LCE4332P

Electrical: A 120-volt, 60-Hz, AC-only, 15- or 20-amp fused electrical supply is required. Time-delay fuse or circuit breaker is recommended. It is recommended that a separate circuit serving only this appliance be provided.

REQUIREMENTS



RECESSED AREA AND CLOSET INSTALLATION



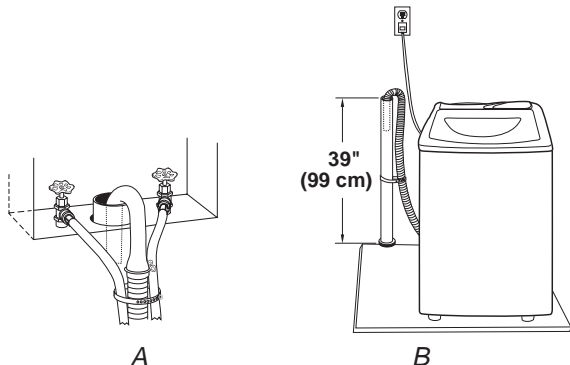
A. Front view
B. Side view
C. Closet door with vents

Additional clearances may be required for wall, door and floor moldings.
If a closet door is installed, the minimum air openings in the top and bottom of the door are required. Louvered doors with air openings in the top and bottom are acceptable.

DRAIN SYSTEM

Standpipe drain system - wall or floor (views A & B)

The standpipe drain requires a minimum diameter standpipe of 2" (5 cm). The minimum carry-away capacity (for permanent installations) can be no less than 13 gal. (49.2 L) per minute. The top of the standpipe must be at least 39" (99 cm) high and no higher than 72" (183 cm) from the bottom of the washer.



Laundry tub drain system (view C)

The laundry tub requires a minimum carry-away capacity of 13 gal. (49.2 L) per minute (for permanent installations). The top of the laundry tub must be at least 39" (99 cm) above the floor and no higher than 72" (183 cm) from the bottom of the washer.

Floor drain system (view D)

The floor drain system requires a siphon break. The siphon break must be a minimum of 28" (71 cm) from the bottom of the washer. Additional hoses might be needed. The minimum carry-away capacity (for permanent installations) can be no less than 13 gal. (49.2 L) per minute.

