



Whirlpool®

MICROWAVE OVEN

Use & Care Guide

For questions about features, operation/performance,
parts, accessories or service, call: **1-800-253-1301**.

In Canada, call: **1-800-807-6777**

or visit our website at...

www.whirlpool.com or www.whirlpool.ca

FOUR À MICRO- ONDES

Guide d'utilisation et d'entretien

Au Canada, composez le **1-800-807-6777**.

ou visitez notre site web à
www.whirlpool.ca

Table of Contents/Table des matières 2

Model/Modèle **WMC10007**

TABLE OF CONTENTS

MICROWAVE OVEN SAFETY	3
INSTALLATION INSTRUCTIONS	5
Unpacking	5
Location Requirements	5
Electrical Requirements	5
PARTS AND FEATURES	6
Turntable	6
MICROWAVE OVEN CONTROL	6
Display	7
Start	7
Cancel	7
Add A Minute.....	7
Clock	7
Timer.....	7
Tones.....	7
Control Lock.....	7
MICROWAVE OVEN USE	8
Food Characteristics	8
Cooking Guidelines.....	8
Cookware and Dinnerware	9
Aluminum Foil and Metal	9
Microwave Cooking Power	9
Manual Cooking	10
Preset Cooking.....	10
Defrost.....	11
MICROWAVE OVEN CARE	11
General Cleaning.....	11
TROUBLESHOOTING	12
ASSISTANCE OR SERVICE	13
In the U.S.A.	13
In Canada	13
Replacement Parts.....	13
WARRANTY	14

TABLE DES MATIÈRES

SÉCURITÉ DU FOUR À MICRO-ONDES	17
INSTRUCTIONS D'INSTALLATION	19
Déballage.....	19
Exigences d'emplacement.....	19
Spécifications électriques	19
PIÈCES ET CARACTÉRISTIQUES	20
Plateau rotatif	20
TABLEAU DE COMMANDE DU FOUR À MICRO-ONDES	20
Affichage.....	21
Start (mise en marche)	21
Cancel (annulation).....	21
Add A Minute (ajouter une minute)	21
Horloge	21
Minuterie.....	21
Signaux sonores.....	22
Verrouillage des commandes.....	22
UTILISATION DU FOUR À MICRO-ONDES	22
Caractéristiques des aliments.....	22
Guide de cuisson.....	23
Ustensiles de cuisson et vaisselle.....	23
Papier d'aluminium et métal.....	24
Puissance de cuisson des micro-ondes	24
Cuisson manuelle	24
Cuisson préréglée	25
Décongélation	25
ENTRETIEN DU FOUR À MICRO-ONDES	26
Nettoyage général	26
DÉPANNAGE	27
ASSISTANCE OU SERVICE	28
Au Canada.....	28
Pièces de rechange.....	28
GARANTIE	29

MICROWAVE OVEN SAFETY

Your safety and the safety of others are very important.

We have provided many important safety messages in this manual and on your appliance. Always read and obey all safety messages.



This is the safety alert symbol.

This symbol alerts you to potential hazards that can kill or hurt you and others.

All safety messages will follow the safety alert symbol and either the word "DANGER" or "WARNING."

These words mean:

⚠ DANGER

You can be killed or seriously injured if you don't immediately follow instructions.

⚠ WARNING

You can be killed or seriously injured if you don't follow instructions.

All safety messages will tell you what the potential hazard is, tell you how to reduce the chance of injury, and tell you what can happen if the instructions are not followed.

IMPORTANT SAFETY INSTRUCTIONS

When using electrical appliances basic safety precautions should be followed, including the following:

WARNING: To reduce the risk of burns, electric shock, fire, injury to persons, or exposure to excessive microwave energy:

- Read all instructions before using the microwave oven.
- Read and follow the specific "PRECAUTIONS TO AVOID POSSIBLE EXPOSURE TO EXCESSIVE MICROWAVE ENERGY" found in this section.
- The microwave oven must be grounded. Connect only to properly grounded outlet. See "GROUNDING INSTRUCTIONS" found in the "INSTALLATION INSTRUCTIONS" section.
- Install or locate the microwave oven only in accordance with the provided Installation Instructions.
- Some products such as whole eggs in the shell and sealed containers - for example, closed glass jars - are able to explode and should not be heated in the microwave oven.
- Use the microwave oven only for its intended use as described in the manual. Do not use corrosive chemicals or vapors in the microwave oven. This type of oven is specifically designed to heat, cook, or dry food. It is not designed for industrial or laboratory use.
- As with any appliance, close supervision is necessary when used by children.
- Do not operate the microwave oven if it has a damaged cord or plug, if it is not working properly, or if it has been damaged or dropped.
- The microwave oven should be serviced only by qualified service personnel. Call an authorized service company for examination, repair, or adjustment.
- Do not cover or block any openings on the microwave oven.
- Do not store this microwave oven outdoors. Do not use the microwave oven near water - for example, near a kitchen sink, in a wet basement, near a swimming pool, or similar locations.
- Do not immerse cord or plug in water.
- Keep cord away from heated surfaces.
- Do not let cord hang over edge of table or counter.
- See door surface cleaning instructions in the "Microwave Oven Care" section.
- To reduce the risk of fire in the oven cavity:
 - Do not overcook food. Carefully attend the microwave oven when paper, plastic, or other combustible materials are placed inside the oven to facilitate cooking.
 - Remove wire twist-ties from paper or plastic bags before placing bags in oven.
 - If materials inside the oven ignite, keep oven door closed, turn oven off, and disconnect the power cord, or shut off power at the fuse or circuit breaker panel.
 - Do not use the cavity for storage purposes. Do not leave paper products, cooking utensils, or food in the cavity when not in use.

SAVE THESE INSTRUCTIONS

IMPORTANT SAFETY INSTRUCTIONS

- Liquids, such as water, coffee, or tea are able to be overheated beyond the boiling point without appearing to be boiling. Visible bubbling or boiling when the container is removed from the microwave oven is not always present. **THIS COULD RESULT IN VERY HOT LIQUIDS SUDDENLY BOILING OVER WHEN THE CONTAINER IS DISTURBED OR A SPOON OR OTHER UTENSIL IS INSERTED INTO THE LIQUID.**

To reduce the risk of injury to persons:

- Do not overheat the liquid.
- Stir the liquid both before and halfway through heating it.
- Do not use straight-sided containers with narrow necks.
- After heating, allow the container to stand in the microwave oven for a short time before removing the container.
- Use extreme care when inserting a spoon or other utensil into the container.

- Do not operate any heating or cooking appliance beneath the microwave oven.
- Do not mount microwave oven over or near any portion of a heating or cooking appliance.
- Do not mount over a sink.
- Do not store anything directly on top of the microwave oven when the microwave oven is in operation.

SAVE THESE INSTRUCTIONS

PRECAUTIONS TO AVOID POSSIBLE EXPOSURE TO EXCESSIVE MICROWAVE ENERGY

- (a) Do not attempt to operate this oven with the door open since open-door operation can result in harmful exposure to microwave energy. It is important not to defeat or tamper with the safety interlocks.
- (b) Do not place any object between the oven front face and the door or allow soil or cleaner residue to accumulate on sealing surfaces.
- (c) Do not operate the oven if it is damaged. It is particularly important that the oven door close properly and that there is no damage to the:
 - (1) Door (bent),
 - (2) Hinges and latches (broken or loosened),
 - (3) Door seals and sealing surfaces.
- (d) The oven should not be adjusted or repaired by anyone except properly qualified service personnel.

This device complies with Part 18 of the FCC Rules.

State of California Proposition 65 Warnings:

WARNING: This product contains one or more chemicals known to the State of California to cause cancer.

WARNING: This product contains one or more chemicals known to the State of California to cause birth defects or other reproductive harm.

INSTALLATION INSTRUCTIONS

Unpacking

1. Empty the microwave oven of any packing materials.
2. Clean the inside with a soft, damp cloth.
3. Check for damage, such as:
 - a door that is not lined up correctly
 - damage around the door, or
 - dents on the interior or exterior of the microwave oven.

If there is any damage, do not operate the microwave oven until a designated service technician has checked it and made any needed repairs.

NOTE: To avoid damage to the microwave oven, do not remove microwave inlet cover. See “Parts and Features.”

Location Requirements

- Place the microwave oven on a cart, counter, table or shelf that is strong enough to hold the microwave oven and the food and utensils you place inside it.
- The microwave oven should be at a temperature above 50°F (10°C) for proper operation.

NOTE: This model may be installed under a cabinet. Hardware and Under-the-Cabinet Installation Instructions are provided. See installation kit.

- Do not block the exhaust vents or air intake openings. Allow a few inches of space at the back and side of the microwave oven where the exhaust vents are located. Blocking the exhaust vents could cause damage to the microwave oven, as well as poor cooking results.
- Make sure the microwave oven legs are in place to ensure proper airflow. If vents are blocked, a sensitive thermal device may automatically turn the microwave oven off. The microwave oven should work properly once it has cooled.

Electrical Requirements

⚠ WARNING



Electrical Shock Hazard

Plug into a grounded 3 prong outlet.

Do not remove ground prong.

Do not use an adapter.

Do not use an extension cord.

Failure to follow these instructions can result in death, fire, or electrical shock.

Observe all governing codes and ordinances.

Required:

- A 120 volt, 60 Hz, AC only, 15- or 20-amp electrical supply with a fuse or circuit breaker.

Recommended:

- A time-delay fuse or time-delay circuit breaker.
- A separate circuit serving only this microwave oven.

GROUNDING INSTRUCTIONS

■ For all cord connected appliances:

The microwave oven must be grounded. In the event of an electrical short circuit, grounding reduces the risk of electric shock by providing an escape wire for the electric current. The microwave oven is equipped with a cord having a grounding wire with a grounding plug. The plug must be plugged into an outlet that is properly installed and grounded.

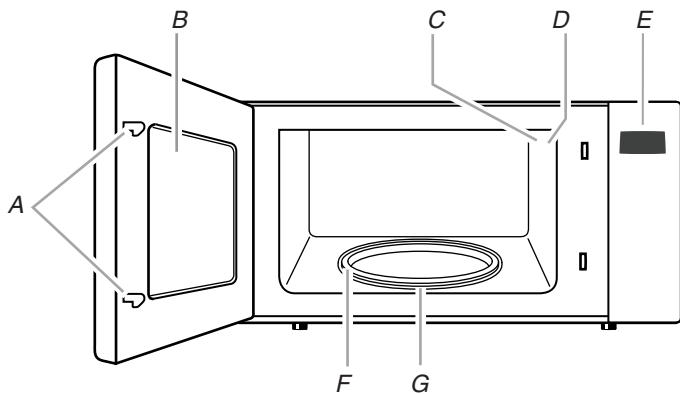
WARNING: Improper use of the grounding plug can result in a risk of electric shock. Consult a qualified electrician or serviceman if the grounding instructions are not completely understood, or if doubt exists as to whether the microwave oven is properly grounded.

Do not use an extension cord. If the power supply cord is too short, have a qualified electrician or serviceman install an outlet near the microwave oven. A short power supply cord is provided to reduce the risks resulting from becoming entangled in or tripping over a longer cord.

SAVE THESE INSTRUCTIONS

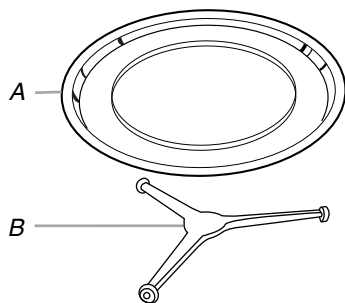
PARTS AND FEATURES

This manual may cover several different models. The model you have purchased may have some or all of the features shown here. The appearance of your particular model may differ slightly from the illustrations in this manual.



- A. Door lock system
 - B. Window
 - C. Microwave inlet cover (not shown)
 - D. Microwave oven light (not shown)
 - E. Control panel
 - F. Glass turntable
 - G. Removable turntable support
- On back of microwave oven:**
Model and serial number plate

Turntable



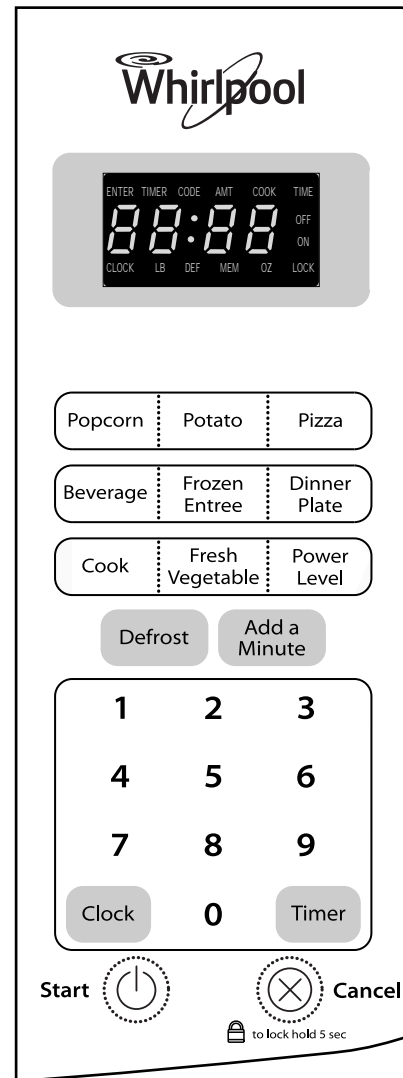
- A. Turntable
- B. Support

The turntable can rotate in either direction to help cook food more evenly. For best cooking results, do not operate the microwave oven without having the turntable in place. See "Assistance or Service" to reorder any of the parts.

To Install:

1. Place the support on the microwave oven cavity bottom.
2. Place the turntable on the support.

MICROWAVE OVEN CONTROL



Display

When power is first supplied to the microwave oven, “:” will appear in the display. If the “:” appears in the display at any other time, a power failure has occurred. Reset the clock if needed.

While the microwave oven is being programmed, the display shows cooking power, quantities, weights and/or prompts. When the microwave oven is not in use, the display shows the time of day (if the Clock is set) or Timer countdown.

Start

The START pad begins any function. If cooking is interrupted, touching START will resume the preset cycle.

NOTE: To avoid unintentional operation of the microwave oven, a cooking function cannot be started if the microwave oven door has been closed for about 5 minutes or more. “DOOR” will appear in the display until the door is opened and closed.

Cancel

The CANCEL pad clears any incorrect command and cancels any program during cooking. It will not erase the time of day.

The microwave oven will also turn off when the door is opened. Close the door and touch START to resume the cycle.

Add A Minute

The ADD A MINUTE pad starts the microwave oven for 1 minute at 100% power. More cook time may be added in 1-minute increments by touching ADD A MINUTE repeatedly.

The Add A Minute function may be used only when no other function is operating.

NOTE: To avoid unintentional operation of the microwave oven, a cooking function cannot be started if the microwave oven door has been closed for about 5 minutes or more. “DOOR” will appear in the display until the door is opened and closed.

Clock

This is a standard 12-hour clock (12:00-11:59).

To Set:

The microwave oven must be off.

1. Touch CLOCK.
2. Touch number pads to enter correct time of day.
3. Touch CLOCK.

Timer

NOTE: The Timer does not start or stop the microwave oven.

Cook functions may be used while the Timer is counting down. When the cook function is active in the display, touch TIMER to see the Timer count down for 5 seconds.

To Set:

1. Touch TIMER.
2. Touch number pads to enter desired time.
3. Touch START.
When the set time ends, the end-of-Timer tone will sound.
4. While the Timer countdown is active in the display, touch CANCEL to cancel the Timer.

If a cook function countdown is active in the display, touch TIMER to show the Timer countdown, then touch CANCEL to cancel the Timer. Touching CANCEL while a cook function countdown is active in the display will cancel the cook function, not the Timer.

Tones

Tones are audible signals that can be turned off.

To Turn Off/On All Tones: Touch and hold POWER LEVEL for 5 seconds, until “Off” appears in the display. Repeat to turn tones back on (“On” will appear in the display).

These tones indicate the following:

One Tone

- Valid entry
- End of Timer (long tone)

Two Tones

- End of stage in multistage cooking
- Control Lock active (short tones)

Three Tones

- End of cycle

Five Tones

- During Defrost cycle, reminder to check, turn, rearrange, or separate food
-

Control Lock

The Control Lock disables the control panel pads to avoid unintended use of the microwave oven.

To Lock/Unlock Control: The microwave oven must be off. Touch and hold CANCEL for 5 seconds until the tones sound and the LOCK icon and “LoC” appear in the display. Repeat to unlock and clear the display (2 tones will sound).

If any cook function control is touched while the Control Lock is active, “LoC” will appear briefly in the display and 2 tones will sound.

MICROWAVE OVEN USE

A magnetron in the microwave oven produces microwaves which reflect off the metal floor, walls and ceiling and pass through the turntable and appropriate cookware to the food. Microwaves are attracted to and absorbed by fat, sugar and water molecules in the food, causing them to move, producing friction and heat which cooks the food.

- To avoid damage to the microwave oven, do not lean on or allow children to swing on the microwave oven door.
- To avoid damage to the microwave oven, do not operate microwave oven when it is empty.
- Baby bottles and baby food jars should not be heated in microwave oven.
- Clothes, flowers, fruit, herbs, wood, gourds, paper, including brown paper bags and newspaper, should not be dried in microwave oven.
- Paraffin wax will not melt in the microwave oven because it does not absorb microwaves.
- Use oven mitts or pot holders when removing containers from microwave oven.
- Do not overcook potatoes. At the end of the recommended cook time, potatoes should be slightly firm. Let potatoes stand for 5 minutes. They will finish cooking while standing.
- Do not cook or reheat whole eggs inside the shell. Steam buildup in whole eggs may cause them to burst, requiring significant cleanup of microwave oven cavity. Cover poached eggs and allow a standing time.

Food Characteristics

When microwave cooking, the amount, size and shape, starting temperature, composition and density of the food affect cooking results.

Amount of Food

The more food heated at once, the longer the cook time needed. Check for doneness and add small increments of time if necessary.

Size and Shape

Smaller pieces of food will cook more quickly than larger pieces, and uniformly shaped foods cook more evenly than irregularly shaped food.

Starting Temperature

Room temperature foods will heat faster than refrigerated foods, and refrigerated foods will heat faster than frozen foods.

Composition and Density

Foods high in fat and sugar will reach a higher temperature, and will heat faster than other foods. Heavy, dense foods, such as meat and potatoes, require a longer cook time than the same size of a light, porous food, such as cake.

Cooking Guidelines

Covering

Covering food helps retain moisture, shorten cook time and reduce spattering. Use the lid supplied with cookware. If a lid is not available, wax paper, paper towels or plastic wrap approved for microwave ovens may be used. Plastic wrap should be turned back at one corner to provide an opening to vent steam. Condensation on the door and cavity surfaces is normal during heavy cooking.

Stirring and Turning

Stirring and turning redistribute heat evenly to avoid overcooking the outer edges of food. Stir from outside to center. If possible, turn food over from bottom to top.

Arranging

If heating irregularly shaped or different sized foods, arrange the thinner parts and smaller sized items toward the center. If cooking several items of the same size and shape, place them in a ring pattern, leaving the center of the ring empty.

Piercing

Before heating, use a fork or small knife to pierce or prick foods that have a skin or membrane, such as potatoes, egg yolks, chicken livers, hot dogs, and sausage. Prick in several places to allow steam to vent.

Shielding

Use small, flat pieces of aluminum foil to shield the thin pieces of irregularly shaped foods, bones and foods such as chicken wings, leg tips and fish tail. See "Aluminum Foil and Metal" first.

Standing Time

Food will continue to cook by the natural conduction of heat even after the microwave cooking cycle ends. The length of standing time depends on the volume and density of the food.

Cookware and Dinnerware

Cookware and dinnerware must fit on the turntable. Always use oven mitts or pot holders when handling because any dish may become hot from heat transferred from the food. Do not use cookware and dinnerware with gold or silver trim. Use the following chart as a guide, then test before using.

MATERIAL	RECOMMENDATIONS
Aluminum Foil, Metal	See "Aluminum Foil and Metal" section.
Browning Dish	Bottom must be at least 3/16" (5 mm) above the turntable. Follow manufacturer's recommendations.
Ceramic Glass, Glass	Acceptable for use.
China, Earthenware	Follow manufacturer's recommendations.
Melamine	Follow manufacturer's recommendations.
Paper: Towels, Dinnerware, Napkins	Use nonrecycled and those approved by the manufacturer for microwave oven use.
Plastic: Wraps, Bags, Covers, Dinnerware, Containers	Use those approved by the manufacturer for microwave oven use.
Pottery and Clay	Follow manufacturer's recommendations.
Silicone Bakeware	Follow manufacturer's recommendations.
Straw, Wicker, Wooden Containers	Do not use in microwave oven.
Wax Paper	Acceptable for use.

To Test Cookware or Dinnerware for Microwave Use:

1. Place cookware or dinnerware in microwave oven with 1 cup (250 mL) of water beside it.
2. Cook at 100% cooking power for 1 minute.

Do not use cookware or dinnerware if it becomes hot and the water stays cool.

Aluminum Foil and Metal

Always use oven mitts or pot holders when removing dishes from the microwave oven.

Aluminum foil and some metal can be used in the microwave oven. If not used properly, arcing (a blue flash of light) can occur and cause damage to the microwave oven.

OK for Use

Racks and bakeware supplied with the microwave oven (on some models), aluminum foil for shielding, and approved meat thermometers may be used with the following guidelines:

- To avoid damage to the microwave oven, do not allow aluminum foil or metal to touch the inside cavity walls, ceiling or floor.
- Always use the turntable.
- To avoid damage to the microwave oven, do not allow contact with another metal object during microwave cooking.

Do Not Use

Metal cookware and bakeware, gold, silver, pewter, non-approved meat thermometers, skewers, twist ties, foil liners such as sandwich wrappers, staples and objects with gold or silver trim or a metallic glaze should not be used in the microwave oven.

Microwave Cooking Power

Many recipes for microwave cooking specify which cooking power to use by percent, name or number. For example, 70%=7=Medium-High.

Use the following chart as a general guide for the suggested cooking power of specific foods.

PERCENT/NAME	NUMBER	USE
100%, High (default setting)	10	Quick heating convenience foods and foods with high water content, such as soups, beverages and most vegetables.
90%	9	Cooking small, tender pieces of meat, ground meat, poultry pieces and fish fillets. Heating cream soups.
80%	8	Heating rice, pasta or stirrable casseroles. Cooking and heating foods that need a cook power lower than high. For example, whole fish and meat loaf.
70%, Medium-High	7	Reheating a single serving of food.

PERCENT/NAME	NUMBER	USE
60%	6	Cooking sensitive foods such as cheese and egg dishes, pudding and custards. Cooking non-stirrable casseroles, such as lasagna.
50%, Medium	5	Cooking ham, whole poultry and pot roasts. Simmering stews.
40%	4	Melting chocolate. Heating bread, rolls and pastries.
30%, Medium-Low, Defrost	3	Defrosting bread, fish, meats, poultry and precooked foods.
20%	2	Softening butter, cheese, and ice cream.
10%, Low	1	Taking chill out of fruit.

Manual Cooking

NOTE: Manual cooking may be done in two stages.

To Use:

- Place food on the turntable and close the door.
- Touch **COOK**.
Enter the length of time for cook.
If cooking with 100% power, skip Step 3.
- Touch **POWER LEVEL**, then set the desired cooking power. See "Microwave Cooking Power."
If cooking in stages, repeat steps 2 and 3 to set cook time and cooking power for the second stage.
- Touch **START**.
The display will count down the cook time.
When the cycle ends, "END" will appear in the display, and the end-of-cycle tones will sound.
- Touch **CANCEL** or open the door to clear the display.
The cook time and power may not be changed after touching **START** without interrupting cooking.

Preset Cooking

The microwave oven has been programmed with common microwavable foods, their quantities, cook powers and cook times.

NOTE: During Popcorn function, as with all microwave cooking functions, the microwave oven should be attended at all times. Listen for popping to slow to 1 pop every 1 or 2 seconds, then stop the cycle.

Use the following chart as a guide for preset cooking.

FOOD	SERVING SIZE	INSTRUCTIONS
Popcorn*	3.5 oz (99 g) 1.75 oz (50 g)	Pop only one package at a time. For bag sizes not listed in this section, follow directions on package.
Potato	1-4 medium, 8-10 oz (227-283 g) each, similar in size	Pierce each one several times with a fork. Place on paper towel, around turntable edges, at least 1" (2.5 cm) apart. Let stand 5 minutes after cooking.
Pizza (refrigerated)	1-2 slices, 4 oz (113 g) each	Place on paper towel or paper plate in the center of the turntable.
Beverage	1-2 cups, 8 oz (250 mL) each	Do not cover. The diameter of the cup's opening will affect how the liquid heats. Beverages in cups with smaller openings may heat faster.
Frozen Entrée	10 oz (283 g)	Remove from package. Loosen cover on 3 sides. If entrée is not in microwave-safe container, place on plate, cover with plastic wrap and vent. Let stand 2-3 minutes after cooking.
Dinner Plate (refrigerated)	1 serving, about 10 oz (283 g)	Place food on plate, cover with plastic wrap and vent.
Fresh Vegetable	1-4 cups (250 mL-1 L)	Place in microwave-safe container, and add 2-4 tbs (30-60 mL) water. Cover with plastic wrap and vent. Stir and let stand 2-3 minutes after cooking.

*To avoid damage to the microwave oven, do not use regular paper bags or glassware. For best cooking results, do not try to pop unpopped kernels. Use fresh bags of popcorn for optimal results. Cooking results may vary by brand and fat content. If using a microwave popcorn popper, follow manufacturer's instructions.

To Use Preset Cooking:

- Place food on the turntable and close the door.
- Touch the desired food pad.
The display will show first programmed serving size. Touch the pad again to change quantity. See chart for available serving sizes.
- Touch **START**.
The display will count down the cook time.
When the cycle ends, "END" will appear in the display, and the end-of-cycle tones will sound.
- Touch **CANCEL** or open the door to clear the display.

Defrost

The automatic Defrost feature can be used or the microwave oven can be manually set to defrost.

- Unwrap foods and remove lids (for example, from fruit juice containers) before defrosting.
- Shallow packages will defrost more quickly than deep blocks.
- Separate food pieces as soon as possible during or at the end of the cycle for more even defrosting.
- Use small pieces of aluminum foil to shield parts of food such as chicken wings, leg tips and fish tails. See “Aluminum Foil and Metal” first.

The Defrost feature uses weight input. It should not be used for food that has been left outside the freezer for more than 20 minutes, or for frozen ready-made food.

To Use Defrost:

1. Place food, uncovered, on the turntable and close the door.
2. Touch DEFROST.

3. Enter the weight in pounds and tenths of a pound. Two digits must be used. (For example, enter “05” for 0.5 lb, or “43” for 4.3 lbs.)

Weight can be set from 0.1 lb to 6.5 lbs (45 g to 2.9 kg).

4. Touch START.

The display will count down the defrost time.

During defrosting, 5 tones will sound. These tones indicate it is time to check, turn, rearrange, or separate food. Open door, turn food if necessary, close door, and touch START to resume defrosting.

When the cycle ends, “END” will appear in the display, and the end-of-cycle tones will sound.

5. Touch CANCEL or open the door to clear the display.

To Defrost Manually: Follow direction in “Manual Cooking” section, and use 30% cooking power. See “Microwave Cooking Power” chart.

MICROWAVE OVEN CARE

General Cleaning

IMPORTANT: Before cleaning, make sure all controls are off and the microwave oven is cool. Always follow label instructions on cleaning products.

Soap, water and a soft cloth or sponge are suggested unless otherwise noted.

MICROWAVE OVEN CAVITY

To avoid damage to the microwave oven cavity, do not use soap-filled scouring pads, abrasive cleaners, steel-wool pads, gritty washcloths or some recycled paper towels.

The area where the microwave oven door and frame touch when closed should be kept clean.

Average soil

- Mild, nonabrasive soaps and detergents:
Rinse with clean water and dry with soft, lint-free cloth.

Heavy soil

- Mild, nonabrasive soaps and detergents:
Heat 1 cup (250 mL) of water for 2 to 5 minutes in microwave oven. Steam will soften soil. Rinse with clean water and dry with soft, lint-free cloth.

Odors

- Lemon juice or vinegar:
Heat 1 cup (250 mL) of water with 1 tbs (15 mL) of either lemon juice or vinegar for 2 to 5 minutes in microwave oven.

Microwave Inlet Cover

To avoid arcing and microwave oven damage, the microwave inlet cover (see “Parts and Features”) should be kept clean.

- Wipe with wet cloth.

MICROWAVE OVEN DOOR AND EXTERIOR

The area where the microwave oven door and frame touch when closed should be kept clean.

- Mild, nonabrasive soaps and detergents:
Rinse with clean water and dry with soft, lint-free cloth.
- Glass cleaner and paper towels or nonabrasive plastic scrubbing pad:
Apply glass cleaner to towel, not directly to surface.

CONTROL PANEL

- Sponge or soft cloth and water:
Dampen sponge with water and wipe panel. Dry with soft cloth.
- To avoid damage to the control panel, do not use chemical or abrasive cleansers.

TURNTABLE

Replace turntable immediately after cleaning. Do not operate the microwave oven without the turntable in place.

- Mild cleanser and scouring pad
- Dishwasher

TROUBLESHOOTING

Try the solutions suggested here first in order to avoid the cost of an unnecessary service call.

Nothing will operate

- **Has a household fuse blown, or has a circuit breaker tripped?**
Replace the fuse or reset the circuit breaker. If the problem continues, call an electrician.

Microwave oven will not operate

- **Is the magnetron working properly?**
Try to heat 1 cup (250 mL) of cold water for 2 minutes at 100% cooking power. If water does not heat, try the steps in the bullets below. If microwave oven still does not operate, call for service. See “Assistance or Service” section.
- **Is the door completely closed?**
Firmly close door.
- **Is a packaging spacer (on some models) attached to the inside of the door?**
Remove packaging spacer, then firmly close door.
- **Is the electronic microwave oven control set correctly?**
See “Microwave Oven Control” section.
- **Is the Control Lock set?**
See “Control Lock” section.
- **Does “DOOR” appear in the display?**
Open and close the microwave oven door, and then touch START. See “Start” section.

Microwave oven makes humming noise

- This is normal and occurs when the power supply in the magnetron cycles on.

Microwave oven door looks wavy

- This is normal and will not affect performance.

Turntable will not operate

- **Is the turntable properly in place?**
Make sure turntable is correct side up and is sitting securely on the turntable support. See “Turntable” section.
- **Is the turntable support operating properly?**
Remove turntable. Remove and clean turntable support and rollers. Replace turntable. Place 1 cup (250 mL) of water on the turntable, then restart microwave oven. If it still is not working, call for service. See “Assistance or Service” section. Do not operate the microwave oven without turntable and turntable support working properly.

Turntable alternates rotation directions

- This is normal and depends on motor rotation at beginning of cycle.

Display shows messages

- **Is the display showing “.”?**
There has been a power failure, or the Clock time has been turned off. See “Display” section to clear display. See “Clock” section to reset or turn on Clock.

Display shows time countdown, but the microwave oven is not operating

- **Is the Timer in use?**
See “Timer” section.

Cooking times seem too long

- **Is the cooking power set properly?**
See “Microwave Cooking Power” section.
- **Are large amounts of food being heated?**
Larger amounts of food need longer cooking times.
- **Is the incoming voltage less than that specified in “Electrical Requirements?”**
Have a qualified electrician check the electrical system in the home.

Interference with radio, TV, cordless phone, etc.

- **Is the microwave oven plugged into the same outlet?**
Try a different outlet for the electronic device.
- **Is the radio or TV receiver near the microwave oven?**
Move the receiver away from the microwave oven, or adjust the radio or TV antenna.
- **Are the microwave oven door and sealing surfaces clean?**
Make sure these areas are clean.
- **Is the cordless phone frequency 2.4 GHz?**
Some 2.4 GHz-based cordless phones and home wireless networks may experience static or noise while the microwave oven is on. Use a corded phone or a different frequency cordless phone, or avoid using these items during microwave oven operation.

ASSISTANCE OR SERVICE

If you need service

Please refer to the warranty page in this manual.

If you need replacement parts

If you need to order replacement parts, we recommend that you use only FSP® replacement parts. FSP® replacement parts will fit right and work right because they are made with the same precision used to build every new WHIRLPOOL® appliance.

To locate FSP® replacement parts in your area, call us or your nearest Whirlpool designated service center.

In the U.S.A.

Call the Whirlpool Customer eXperience Center toll free: **1-800-253-1301** or visit our website at **www.whirlpool.com**.

Our consultants provide assistance with:

- Scheduling of service. Whirlpool designated service technicians are trained to fulfill the product warranty and provide after-warranty service, anywhere in the United States.
- Features and specifications on our full line of appliances.
- Referrals to local dealers.
- Installation information.
- Use and maintenance procedures.
- Accessory and repair parts sales.
- Specialized customer assistance (Spanish speaking, hearing impaired, limited vision, etc.).

For further assistance

If you need further assistance, you can write to Whirlpool Corporation with any questions or concerns at:

Whirlpool Brand Home Appliances
Customer eXperience Center
553 Benson Road
Benton Harbor, MI 49022-2692

Please include a daytime phone number in your correspondence.

In Canada

Call the Whirlpool Canada LP Customer eXperience Centre toll free: **1-800-807-6777** or visit our webpage **www.whirlpool.ca**.

Our consultants provide assistance with:

- Scheduling of service. Whirlpool designated service technicians are trained to fulfill the product warranty and provide after-warranty service, anywhere in Canada.
- Features and specifications on our full line of appliances.
- Referrals to local Whirlpool dealers.
- Use and maintenance procedures.
- Accessory and repair parts sales.
- Referrals to local dealers, repair parts distributors, and service companies. Whirlpool Canada LP designated service technicians are trained to fulfill the product warranty and provide after-warranty service, anywhere in Canada.

For further assistance

If you need further assistance, you can write to Whirlpool Canada LP with any questions or concerns at:

Whirlpool Brand Home Appliances
Customer eXperience Centre
Whirlpool Canada LP
200 - 6750 Century Ave.
Mississauga, Ontario L5N 0B7

Please include a daytime phone number in your correspondence.

Replacement Parts

Glass Turntable
Part Number W10315165

Turntable Support/Roller Assembly
Part Number W10315166

Cleaning Supplies

affresh® Kitchen Appliance
Cleaner
Part Number W10355010

Heavy Duty Degreaser
Part Number 31552A

WHIRLPOOL CORPORATION COUNTERTOP MICROWAVE LIMITED WARRANTY

ONE YEAR LIMITED WARRANTY

For one year from the original date of purchase, when this microwave is installed, operated and maintained according to instructions attached to or furnished with the product, Whirlpool Corporation or Whirlpool Canada LP (hereafter "Whirlpool") will, at its sole option, either pay for factory specified parts and repair labor to correct defects in materials or workmanship or replace the product. If replaced, the unit will be covered by the remaining one-year limited warranty of the original unit. See service instructions below.

YOUR SOLE AND EXCLUSIVE REMEDY UNDER THE LIMITED WARRANTY SHALL BE PRODUCT REPAIR OR REPLACEMENT AT OUR DISCRETION AS PROVIDED HEREIN. Service must be provided by a Whirlpool designated service company. This limited warranty is valid in the United States or Canada and applies only when the microwave is used in the country in which it was purchased. This limited warranty is effective from the date of the original consumer purchase. Proof of original purchase date is required to obtain service or replacement under this limited warranty.

ITEMS EXCLUDED FROM WARRANTY

1. Service calls to correct the installation of your microwave, to instruct you how to use your product, to replace or repair house fuses, reset circuit breakers or to correct house wiring or plumbing.
2. Service calls to repair or replace light bulbs. Consumable parts are excluded from warranty coverage.
3. In-home service. Your microwave must be shipped to a Whirlpool designated service company.
4. Repairs or replacement when your microwave is used for other than normal, single-family household use or when it is used in a manner contrary to published user or operator instructions and/or installation instructions.
5. Damage resulting from accident, alteration, misuse, abuse, fire, flood, acts of God, improper installation, installation not in accordance with electrical or plumbing codes, or use of consumables or cleaning products not approved by Whirlpool Corporation.
6. Cosmetic damage, including scratches, dents, chips or other damage to the finish of your microwave, unless such damage results from defects in materials or workmanship and is reported to Whirlpool within 30 days from the date of purchase.
7. Any food loss due to microwave product failure.
8. Repairs to parts or systems resulting from unauthorized modifications made to the appliance.
9. Microwaves with original model/serial numbers that have been removed, altered or cannot be easily determined. This warranty is void if the factory applied serial number has been altered or removed from your appliance.

The cost of repair or replacement under these excluded circumstances shall be borne by the customer.

If you reside in the United States and your Whirlpool® Countertop Microwave should cease to operate within the first year of ownership:

1. Call our Customer eXperience Center at **1-800-253-1301** (toll-free).
 2. Give the consultant your model, serial number and shipping address.
 3. The consultant will advise whether the microwave qualifies for repair or replacement.
 4. In the event of repair, you may be directed to forward the product to a Whirlpool designated service center. You are responsible for insurance and freight to the designated service center. Please include your name and address on a piece of paper, along with a copy of the proof of purchase (register receipt, charge slip, etc.). The microwave should be properly packaged to avoid damage in transit as we will not be responsible for any such damage.
 5. Whirlpool will return the repaired unit or, at our option, an identical or comparable microwave to your door free of charge.
-

DISCLAIMER OF IMPLIED WARRANTIES

IMPLIED WARRANTIES, INCLUDING ANY IMPLIED WARRANTY OF MERCHANTABILITY OR IMPLIED WARRANTY OF FITNESS FOR A PARTICULAR PURPOSE, ARE LIMITED TO ONE YEAR OR THE SHORTEST PERIOD ALLOWED BY LAW. Some states and provinces do not allow limitations on the duration of implied warranties of merchantability or fitness, so this limitation may not apply to you. This warranty gives you specific legal rights, and you also may have other rights that vary from state to state or province to province.

LIMITATION OF REMEDIES; EXCLUSION OF INCIDENTAL AND CONSEQUENTIAL DAMAGES

YOUR SOLE AND EXCLUSIVE REMEDY UNDER THE LIMITED WARRANTY SHALL BE PRODUCT REPAIR OR REPLACEMENT AT OUR DISCRETION AS PROVIDED HEREIN. WHIRLPOOL SHALL NOT BE LIABLE FOR INCIDENTAL OR CONSEQUENTIAL DAMAGES. Some states and provinces do not allow the exclusion or limitation of incidental or consequential damages, so these limitations may not apply to you. This warranty gives you specific legal rights, and you also may have other rights that vary from state to state or province to province.

Outside the 50 United States and Canada, this warranty does not apply. Contact your authorized Whirlpool dealer to determine if another warranty applies.

If you need service, first see the "Troubleshooting" section of the Use & Care Guide. Additional help can be found by checking the "Assistance or Service" section or by calling Whirlpool. In the U.S.A. call **1-800-253-1301**. In Canada call **1-800-807-6777**.

9/12

Keep this book and your sales slip together for future reference. You must provide proof of purchase or installation date for in-warranty service.

Write down the following information about your major appliance to better help you obtain assistance or service if you ever need it. You will need to know your complete model number and serial number. You can find this information on the model and serial number label located on the product.

Dealer name _____

Address _____

Phone number _____

Model number _____

Serial number _____

Purchase date _____

Notes

SÉCURITÉ DU FOUR À MICRO-ONDES

Votre sécurité et celle des autres est très importante.

Nous donnons de nombreux messages de sécurité importants dans ce manuel et sur votre appareil ménager. Assurez-vous de toujours lire tous les messages de sécurité et de vous y conformer.



Voici le symbole d'alerte de sécurité.

Ce symbole d'alerte de sécurité vous signale les dangers potentiels de décès et de blessures graves à vous et à d'autres.

Tous les messages de sécurité suivront le symbole d'alerte de sécurité et le mot "DANGER" ou "AVERTISSEMENT". Ces mots signifient :

⚠ DANGER

Risque possible de décès ou de blessure grave si vous ne suivez pas immédiatement les instructions.

⚠ AVERTISSEMENT

Risque possible de décès ou de blessure grave si vous ne suivez pas les instructions.

Tous les messages de sécurité vous diront quel est le danger potentiel et vous disent comment réduire le risque de blessure et ce qui peut se produire en cas de non-respect des instructions.

IMPORTANTES INSTRUCTIONS DE SÉCURITÉ

Lors de l'utilisation de tout appareil ménager électrique on doit observer certaines précautions de sécurité fondamentales, dont les suivantes :

AVERTISSEMENT : Pour réduire le risque de brûlures, de choc électrique, d'incendie, de blessures et l'exposition excessive à l'énergie des micro-ondes :

- Lire la totalité des instructions avant d'utiliser le four à micro-ondes.
- Lire et observer les instructions spécifiques de "PRÉCAUTIONS CONTRE LE RISQUE D'EXPOSITION EXCESSIVE À L'ÉNERGIE DES MICRO-ONDES" dans cette section.
- Le four à micro-ondes doit être relié à la terre. Brancher l'appareil uniquement sur une prise de courant convenablement reliée à la terre. Voir les "INSTRUCTIONS DE LIAISON À LA TERRE" présentées dans la section "INSTRUCTIONS D'INSTALLATION".
- Installer ou placer le four à micro-ondes uniquement selon les instructions d'installation fournies.
- Certains produits, comme les œufs entiers dans leur coquille et les récipients fermés - par exemple les bocaux en verre fermés - peuvent exploser et on ne doit pas les faire chauffer dans le four à micro-ondes.
- Utiliser le four à micro-ondes uniquement pour les applications auxquelles il est destiné, telles qu'elles sont décrites dans ce manuel. Ne pas utiliser de vapeurs ou de produits chimiques corrosifs dans le four à micro-ondes. Ce type de four est spécifiquement conçu pour chauffer, cuire ou sécher des aliments. Il n'est pas conçu pour des applications industrielles ou de laboratoire.
- Comme pour tout appareil ménager, les enfants ne devraient utiliser ce four que sous une supervision adéquate.
- Ne pas faire fonctionner le four à micro-ondes si le cordon d'alimentation ou la fiche de branchement est endommagé, s'il ne fonctionne pas correctement, s'il a subi des dommages ou s'il est tombé.
- Tous les travaux de service doivent être exécutés exclusivement par un personnel d'entretien qualifié. Contacter un centre de service autorisé pour les opérations d'inspection, de réparation ou de réglage.
- Ne pas couvrir ni obstruer toute ouverture sur le four à micro-ondes.
- Ne pas remiser ce four à micro-ondes à l'extérieur. Ne pas utiliser le four à micro-ondes à proximité d'eau - par exemple, près d'un évier de cuisine, dans un sous-sol humide ou près d'une piscine ou à un emplacement similaire.
- Ne pas immerger le cordon ou la fiche de branchement dans l'eau.
- Garder le cordon d'alimentation loin des surfaces chauffées.
- Ne pas laisser le cordon d'alimentation pendre sur le bord d'une table ou d'un comptoir.
- Voir les instructions de nettoyage de la surface de la porte à la section "Entretien du four à micro-ondes".
- Pour réduire le risque d'incendie dans la cavité du four :
 - Ne pas faire cuire les aliments excessivement. Surveiller attentivement le four à micro-ondes après y avoir placé des produits en papier, en plastique ou autres matériaux combustibles pour faciliter la cuisson des aliments.
 - Enlever les attaches métalliques des sachets en papier ou en plastique avant de placer de tels sachets dans le four.
 - En cas d'inflammation de matériaux placés à l'intérieur du four, maintenir la porte du four fermée, arrêter le four, débrancher le four, ou interrompre l'alimentation électrique au niveau du tableau de distribution (fusible ou disjoncteur).
 - Ne pas utiliser la cavité du four comme espace de rangement. Ne pas laisser dans le four des produits en papier, ustensiles de cuisine ou produits alimentaires, lorsqu'il n'est pas utilisé.

CONSERVEZ CES INSTRUCTIONS

IMPORTANTES INSTRUCTIONS DE SÉCURITÉ

- Les liquides tels que l'eau, le café ou le thé peuvent trop chauffer - au-delà du point d'ébullition - sans sembler bouillir. Il n'y a pas toujours des bulles ou une ébullition lorsqu'on retire le récipient du four à micro-ondes. À CAUSE DE CECI, DES LIQUIDES TRÈS CHAUDS POURRAIENT DÉBORDER LORSQU'ON BOUGE LE RÉCIPIENT OU QUE L'ON UTILISE UNE CUILLÈRE OU UN AUTRE USTENSILE POUR LE REMUER.
Pour réduire le risque de blessures corporelles :
 - Ne pas trop faire chauffer le liquide.
 - Remuer le liquide avant et pendant le chauffage.
 - Ne pas utiliser de récipients à parois droites avec des ouvertures étroites.
 - Une fois chaud, laisser le récipient dans le four à micro-ondes un moment avant de le retirer.
 - Faire très attention lorsqu'on utilise une cuillère ou un autre ustensile dans le récipient.
- Ne pas faire fonctionner un appareil de chauffage ou de cuisson sous le four à micro-ondes.
- Ne pas installer le four à micro-ondes au-dessus ou près de toute portion d'un appareil de chauffage ou de cuisson.
- Ne pas faire le montage au-dessus d'un évier.
- Veiller à ne rien remiser directement sur le four lorsqu'il est en service.

CONSERVEZ CES INSTRUCTIONS

PRÉCAUTIONS CONTRE LE RISQUE D'EXPOSITION EXCESSIVE À L'ÉNERGIE DES MICRO-ONDES

- (a) Ne pas tenter de faire fonctionner ce four lorsque la porte est ouverte, car ceci pourrait susciter une exposition dangereuse à l'énergie des micro-ondes. Il est important de ne pas entraver le fonctionnement correct du dispositif de verrouillage de sécurité.
- (b) Ne pas placer d'objet entre la surface avant du four et la porte, et ne jamais laisser des souillures ou résidus de produits de nettoyage s'accumuler sur les surfaces d'étanchéité.
- (c) Ne pas faire fonctionner le four lorsqu'il est endommagé. Il est particulièrement important que la porte du four ferme convenablement et que les composants suivants ne soient pas endommagés :
 - (1) Porte (déformation),
 - (2) Charnières et dispositif de verrouillage (brisés ou desserrés),
 - (3) Joints de porte et surfaces d'étanchéité.
- (d) Seul un personnel d'entretien qualifié est habilité à exécuter des réparations ou réglages sur cet appareil.

Ce dispositif est conforme à la section 18 des règlements FCC.

Avertissements de la proposition 65 de l'État de Californie :

AVERTISSEMENT : Ce produit contient au moins un produit chimique connu par l'État de Californie pour être à l'origine de cancers.

AVERTISSEMENT : Ce produit contient au moins un produit chimique connu par l'État de Californie pour être à l'origine de malformations et autres déficiences de naissance.

INSTRUCTIONS D'INSTALLATION

Déballage

1. Ôter du four à micro-ondes tous les matériaux d'emballage divers.
2. Nettoyer l'intérieur du four avec un chiffon doux humide.
3. Vérifier l'absence de dommages tels que :
 - porte qui n'est pas alignée correctement
 - dommages autour de la porte, ou
 - bosses à l'intérieur ou à l'extérieur du four à micro-ondes.

En cas de dommage quelconque, ne pas faire fonctionner le four à micro-ondes avant qu'un technicien de service désigné n'ait vérifié le four et ait effectué les réparations nécessaires.

REMARQUE : Pour éviter d'endommager le four à micro-ondes, ne pas retirer le couvercle de l'orifice d'introduction des micro-ondes. Voir la section "Pièces et caractéristiques".

Exigences d'emplacement

- Placer le four à micro-ondes sur un chariot, un plan de travail, une table ou une tablette suffisamment solide pour supporter le four à micro-ondes ainsi que les aliments et ustensiles placés à l'intérieur.
- Le four à micro-ondes doit se trouver à une température supérieure à 50°F (10°C) pour un fonctionnement correct.

REMARQUE : Ce modèle peut être installé sous un placard. La quincaillerie d'installation et les instructions d'installation sont fournies. Voir la trousse d'installation.

- Ne pas obstruer les événements d'évacuation et de prise d'air. Laisser quelques centimètres à l'arrière et sur le côté du four à micro-ondes à l'emplacement des événements. L'obstruction des événements peut entraîner des dommages au four à micro-ondes, de même que de médiocres résultats de cuisson.
- Veiller à ce que les pieds du four à micro-ondes soient bien en place pour assurer un flux d'air approprié. Si les événements sont obstrués, un dispositif de sécurité thermique sensible peut commander l'extinction automatique du four à micro-ondes. Le four à micro-ondes devrait fonctionner correctement une fois refroidi.

Spécifications électriques

⚠ AVERTISSEMENT



Risque de choc électrique

Brancher sur une prise à 3 alvéoles reliée à la terre.

Ne pas enlever la broche de liaison à la terre.

Ne pas utiliser un adaptateur.

Ne pas utiliser un câble de rallonge.

Le non-respect de ces instructions peut causer un décès, un incendie ou un choc électrique.

Observer les dispositions de tous les codes et règlements en vigueur.

Nécessaire :

- Une alimentation électrique de 120 volts, 60 Hz, CA seulement, 15 ou 20 ampères, protégée par fusibles ou disjoncteur.

Recommandé :

- Un fusible temporisé ou un disjoncteur temporisé.
- Un circuit distinct exclusif à ce four à micro-ondes.

INSTRUCTIONS DE LIAISON À LA TERRE

- **Pour tout appareil ménager connecté par un cordon de courant électrique :**

Il faut que le four à micro-ondes soit relié à la terre. En cas de court-circuit électrique, la liaison à la terre réduit le risque de choc électrique car le courant électrique dispose d'un itinéraire direct d'acheminement à la terre. Le four à micro-ondes est doté d'un cordon de courant électrique qui comporte un fil de liaison à la terre, avec broche de liaison à la terre. On doit brancher la fiche sur une prise de courant convenablement installée et reliée à la terre.

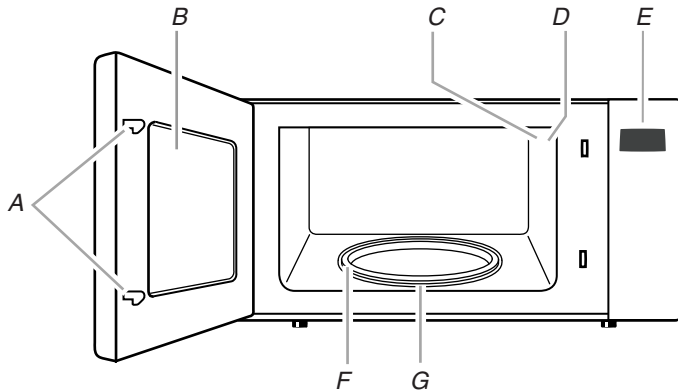
AVERTISSEMENT : L'utilisation incorrecte du dispositif de liaison à la terre peut susciter un risque de choc électrique. L'utilisateur qui ne comprend pas bien les instructions de liaison à la terre, ou qui n'est pas certain que le four à micro-ondes soit convenablement relié à la terre, devrait consulter un électricien ou un technicien qualifié.

Ne pas utiliser un câble de rallonge. Si le cordon de courant électrique est trop court, demander à un électricien ou un technicien qualifié d'installer une prise de courant à proximité du four à micro-ondes. Le cordon d'alimentation fourni est court pour réduire le risque de s'empêtrer ou de trébucher.

CONSERVEZ CES INSTRUCTIONS

PIÈCES ET CARACTÉRISTIQUES

Ce manuel peut couvrir différents modèles. Le four que vous avez acheté peut avoir certaines ou toutes les caractéristiques énumérées. L'apparence de votre modèle peut différer légèrement des illustrations figurant dans ce manuel.

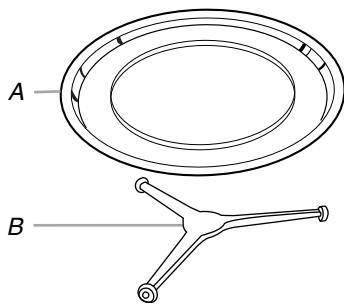


- A. Système de verrouillage de la porte
- B. Hublot
- C. Couvercle - orifice d'introduction des micro-ondes (non illustré)
- D. Lampe du four à micro-ondes (non illustrée)

- E. Tableau de commande
- F. Plateau rotatif en verre
- G. Support amovible du plateau rotatif

À l'arrière du four à micro-ondes :
Plaque signalétique des numéros de modèle et de série

Plateau rotatif



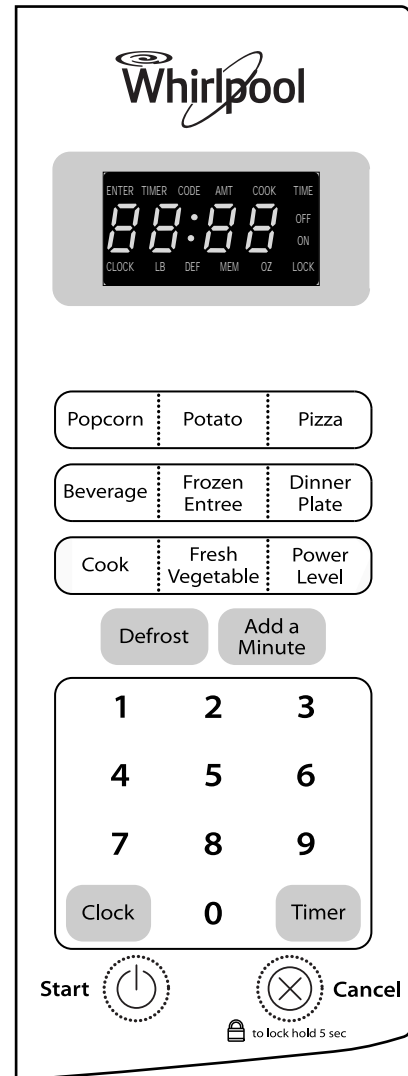
- A. Plateau rotatif
- B. Support

Le plateau rotatif tourne dans les deux sens pour permettre une cuisson plus uniforme. Pour les meilleurs résultats de cuisson, ne pas faire fonctionner le four à micro-ondes sans que le plateau rotatif ne soit en place. Voir "Assistance ou service" pour passer une nouvelle commande de pièces.

Installation :

1. Placer le support sur le fond de la cavité du four à micro-ondes.
2. Placer le plateau rotatif sur le support.

TABLEAU DE COMMANDE DU FOUR À MICRO-ONDES



Affichage

Lors de la mise sous tension initiale du four à micro-ondes, “:” apparaît sur l’afficheur. Si “:” s’affiche à tout autre moment, une panne de courant s’est produite. Régler de nouveau l’horloge si nécessaire.

Lorsque le four à micro-ondes est en cours de programmation, l’affichage indique la puissance de cuisson, les quantités, le poids et/ou les messages. Lorsque le four à micro-ondes n’est pas utilisé, l’affichage indique l’heure (si l’horloge est réglée) ou le compte à rebours de la minuterie.

Start (mise en marche)

La touche START (mise en marche) met en marche toute fonction du four. Si la cuisson est interrompue, il suffit d’appuyer sur START pour reprendre le programme préréglé.

REMARQUE : Pour éviter un fonctionnement involontaire du four à micro-ondes, une fonction de cuisson ne peut être mise en marche si la porte du four a été fermée pendant 5 minutes ou plus. “DOOR” (porte) apparaît sur l’afficheur jusqu’à ce que la porte soit ouverte puis refermée.

Cancel (annulation)

La touche CANCEL (annulation) efface toute commande incorrecte et annule tout programme durant la cuisson. Ce bouton n’efface pas l’heure.

Le four à micro-ondes s’arrête également lorsqu’on ouvre la porte. Fermer la porte et appuyer sur START (mise en marche) pour reprendre le programme.

Add A Minute (ajouter une minute)

La touche ADD A MINUTE (ajouter une minute) démarre le four à micro-ondes à la puissance maximale pendant 1 minute. Plus de temps de cuisson peut être ajouté par incréments de 1 minute en appuyant sur la touche ADD A MINUTE à plusieurs reprises.

La fonction Add A Minute ne peut être utilisée que lorsqu’aucune autre fonction ne fonctionne.

REMARQUE : Pour éviter un fonctionnement involontaire du four à micro-ondes, une fonction de cuisson ne peut être mise en marche si la porte du four a été fermée pendant 5 minutes ou plus. “DOOR” (porte) apparaît sur l’afficheur jusqu’à ce que la porte soit ouverte puis refermée.

Horloge

Il s’agit d’une horloge standard de 12 heures (12:00-11:59).

Réglage :

Le four à micro-ondes doit être désactivé.

1. Appuyer sur CLOCK (horloge).
 2. Appuyer sur les touches numériques pour régler l’heure exacte.
 3. Appuyer sur CLOCK.
-

Minuterie

REMARQUE : La minuterie ne met pas en marche et n’arrête pas le four à micro-ondes.

Les fonctions de cuisson peuvent être utilisées alors que la minuterie procède au compte à rebours. Lorsque la fonction de cuisson est activée sur l’afficheur, appuyer sur TIMER (minuterie) pour visualiser le compte à rebours de la minuterie pendant 5 secondes.

Réglage :

1. Appuyer sur TIMER (minuterie).
2. Appuyer sur les touches numériques pour entrer la durée désirée.
3. Appuyer sur START (mise en marche).

Lorsque la durée réglée est atteinte, le signal de fin de minuterie est émis.

4. Alors que le compte à rebours de la minuterie est actif sur l’afficheur, appuyer sur CANCEL (annulation) pour annuler la minuterie.

Si un compte à rebours de fonction de cuisson est actif sur l’afficheur, appuyer sur TIMER pour visualiser le compte à rebours de minuterie, puis appuyer sur CANCEL pour annuler la minuterie. Le fait d’appuyer sur CANCEL alors qu’une fonction de cuisson est active sur l’afficheur entraînera l’annulation de cette fonction, mais pas de la minuterie.

Signaux sonores

Les signaux sonores peuvent être arrêtés.

Pour désactiver/activer tous les signaux sonores : Appuyer sur la touche POWER LEVEL (niveau de puissance) en la maintenant pendant 5 secondes, jusqu'à ce que "Off" ("arrêt") apparaisse sur l'afficheur. Répéter pour réactiver les signaux sonores ("On" ["allumé"] apparaît sur l'afficheur).

Ces signaux sonores indiquent ce qui suit :

Un signal sonore

- Entrée valide
- Fin du compte à rebours de la minuterie (signal long)

Deux signaux sonores

- Fin d'étape pour la cuisson par étapes
- Verrouillage de commandes activé (signaux courts)

Trois signaux sonores

- Fin du programme

Cinq signaux sonores

- Pendant le programme Defrost (décongélation) pour vous rappeler de vérifier, de tourner, de réarranger ou de séparer les aliments.

Verrouillage des commandes

Le verrouillage des commandes désactive les touches du tableau de commande pour empêcher l'utilisation involontaire du four à micro-ondes.

Pour verrouiller/déverrouiller les commandes : Le four à micro-ondes doit être arrêté. Appuyer en maintenant la touche CANCEL (annulation) pendant 5 secondes jusqu'à l'émission des signaux sonores et l'affichage d'une icône LOCK (verrouillage) et "LoC". Répéter pour déverrouiller et effacer l'afficheur (2 signaux sonores sont émis).

Si l'on appuie sur une touche de fonction alors que le verrouillage des commandes est actif, "LoC" apparaît brièvement sur l'afficheur et 2 signaux sonores sont émis.

UTILISATION DU FOUR À MICRO-ONDES

Un magnétron dans le four à micro-ondes produit des micro-ondes qui rebondissent de la base, des parois et de la voûte en métal et qui passent à travers le plateau rotatif et les ustensiles de cuisson appropriés pour atteindre l'aliment. Les micro-ondes sont attirées et absorbées par le gras, le sucre et les molécules d'eau dans les aliments et font déplacer ces molécules, en produisant une friction et une chaleur qui fait cuire les aliments.

- Pour éviter d'endommager le four à micro-ondes, ne pas s'appuyer ou laisser les enfants se balancer sur la porte du four à micro-ondes.
- Pour éviter d'endommager le four à micro-ondes, ne pas faire fonctionner le four à micro-ondes à vide.
- Les biberons et les petits pots d'aliments pour bébés ne doivent pas être chauffés dans le four à micro-ondes.
- Les vêtements, fleurs, fruits, herbes, gourdes, le bois, le papier - y compris les sacs en papier brun et les journaux - ne doivent pas être séchés dans le four à micro-ondes.
- La paraffine ne fondra pas dans le four à micro-ondes car elle n'absorbe pas les micro-ondes.
- Utiliser des mitaines de four ou des maniques lors de l'enlèvement de contenants du four à micro-ondes.
- Ne pas faire cuire les pommes de terre excessivement. À la fin de la durée de cuisson recommandée, les pommes de terre devraient être légèrement fermes. Laisser les pommes de terre reposer pendant 5 minutes. Elles achèveront de cuire pendant cette période.
- Ne pas faire cuire ou réchauffer des œufs entiers avec leur coquille. La vapeur accumulée dans les œufs entiers pourrait les faire éclater, ce qui exigerait le nettoyage significatif de la cavité du four à micro-ondes. Recouvrir les œufs pochés et les laisser reposer.

Caractéristiques des aliments

Lors de la cuisson au four à micro-ondes, la quantité, la taille, la forme, la température de début, la composition et la densité de l'aliment affectent les résultats de cuisson.

Quantité d'aliments

Les quantités plus grandes d'aliments nécessitent des durées de cuisson plus longues. Vérifier le degré de cuisson et prolonger légèrement la durée si nécessaire.

Taille et forme

Des morceaux plus petits d'aliments cuiront plus vite que les gros morceaux, et les aliments uniformes cuiront plus également que les aliments de forme irrégulière.

Température de début

Les aliments à température ambiante chaufferont plus vite que les aliments réfrigérés, et les aliments réfrigérés chaufferont plus vite que les aliments congelés.

Composition et densité

Les aliments à haute teneur en gras et en sucre atteindront une température plus élevée et chaufferont plus vite que les autres. Les aliments lourds et denses, tels que la viande et les pommes de terre, nécessitent un temps de cuisson plus long qu'un aliment de la même taille, léger et poreux tel que les gâteaux.

Guide de cuisson

Recouvrement

Le recouvrement des aliments aide à retenir l'humidité, réduire le temps de cuisson et réduire les éclaboussures. Utiliser le couvercle fourni avec l'ustensile de cuisson. S'il n'y a pas de couvercle disponible, du papier paraffiné, un essuie-tout ou une pellicule de plastique approuvée pour les micro-ondes peuvent être utilisés. La pellicule de plastique doit être retournée à un coin pour fournir une ouverture à l'échappement de la vapeur. La condensation sur les surfaces de la porte et de la cavité est normale pendant une cuisson intense.

Remuer et tourner

Remuer et tourner les aliments permet de redistribuer la chaleur de manière égale pour éviter la cuisson excessive des bords des aliments. Mélanger de l'extérieur vers le centre. Si possible, retourner les aliments de haut en bas.

Disposition

S'il s'agit d'aliments de forme irrégulière ou de dimensions différentes, les parties plus minces et les morceaux plus petits doivent être disposés près du centre. Si l'on cuit plusieurs aliments de même taille et de même forme, les placer en cercle, en laissant le centre du cercle vide.

Dégagement de la pression

Avant le chauffage, utiliser une fourchette ou un petit couteau pour percer les aliments qui ont une peau ou une membrane, tels que les pommes de terre, jaunes d'œufs, foies de poulet, hot dogs et saucisses. Percer en plusieurs endroits pour laisser échapper la vapeur.

Protection

Utiliser du papier d'aluminium en petits morceaux plats pour protéger les parties minces d'aliments de forme irrégulière, les os, et des aliments tels que les ailes et pilons de poulet et les queues de poisson. Voir en premier "Papier d'aluminium et métal".

Temps de repos

Les aliments continueront à cuire par la conduction naturelle de la chaleur même lorsque le programme de micro-ondes sera terminé. La durée du temps de repos dépend du volume et de la densité de l'aliment.

Ustensiles de cuisson et vaisselle

Les ustensiles de cuisson et la vaisselle doivent pouvoir être placés sur le plateau rotatif. Toujours utiliser des mitaines de four ou des maniques lors de la manipulation parce que tout plat peut devenir chaud à cause de la chaleur transmise par les aliments. Ne pas utiliser des ustensiles de cuisson ou de la vaisselle avec une garniture en or ou en argent. Utiliser le tableau suivant comme guide, ensuite faire un test avant l'utilisation.

MATÉRIAU	RECOMMANDATIONS
Papier d'aluminium, métal	Voir la section "Papier d'aluminium et métal".
Plat brunisseur	La base doit être au moins à 3/16" (5 mm) au-dessus du plateau rotatif. Suivre les recommandations du fabricant.
Vitrocéramique, verre	Peut être utilisé.
Porcelaine, faïence	Suivre les recommandations du fabricant.
Mélatamine	Suivre les recommandations du fabricant.
Papier : essuie-tout, vaisselle, serviettes de table	Utiliser des produits non recyclés et ceux qui sont approuvés par le fabricant pour utilisation au four à micro-ondes.
Plastique : pellicule, sacs, couvercles, vaisselle, contenants	Utiliser des produits approuvés par le fabricant pour utilisation au four à micro-ondes.
Poterie et argile	Suivre les recommandations du fabricant.
Ustensile de cuisson au four en silicone	Suivre les recommandations du fabricant.
Paille, osier, contenants en bois	Ne pas utiliser au four à micro-ondes.
Papier paraffiné	Peut être utilisé.

Pour tester l'ustensile de cuisson ou la vaisselle pour utilisation au four à micro-ondes :

1. Placer l'ustensile de cuisson ou la vaisselle dans le four à micro-ondes avec 1 tasse (250 mL) d'eau à côté de l'article.
2. Faire cuire à la puissance de cuisson maximale pendant 1 minute.

Ne pas utiliser cet ustensile de cuisson ou cet article de vaisselle s'il devient chaud alors que l'eau demeure froide.

Papier d'aluminium et métal

Toujours utiliser des mitaines de four ou des maniques pour enlever des plats du four à micro-ondes.

Le papier d'aluminium et certains métaux peuvent être utilisés dans le four à micro-ondes. Si ces articles ne sont pas bien utilisés, des arcs (un éclair bleu) peuvent survenir et causer des dommages au four à micro-ondes.

Utilisation possible

Les grilles et les ustensiles de cuisson au four fournis avec le four à micro-ondes (sur certains modèles), le papier d'aluminium pour protection et les thermomètres à viande approuvés peuvent être utilisés avec les précautions suivantes :

- Pour éviter d'endommager le four à micro-ondes, ne pas laisser le papier d'aluminium ou le métal toucher les parois, le plafond ou le fond de la cavité intérieure.
- Toujours utiliser le plateau rotatif.
- Pour éviter d'endommager le four à micro-ondes, ne pas permettre un contact avec un autre objet en métal durant la cuisson.

Utilisation à éviter

Les ustensiles de cuisson et de cuisson au four en métal, l'or, l'argent, l'étain, les thermomètres à viande non approuvés, les brochettes, les attaches, les doublures de papier d'aluminium telles que les enveloppes à sandwich, les agrafes et objets avec garniture en or ou en argent ou avec un enduit métallique ne doivent pas être utilisés dans le four à micro-ondes.

Puissance de cuisson des micro-ondes

De nombreuses recettes de four à micro-ondes précisent quelle puissance de cuisson doit être utilisée en indiquant le pourcentage, le nom ou le chiffre. Par exemple, 70 % = 7 = Moyen-Élevé.

Utiliser le tableau suivant comme guide général pour la puissance de cuisson suggérée pour des aliments spécifiques.

POURCENTAGE/NOM	CHIFFRE	UTILISATION
100 %, Élevé (réglage par défaut)	10	Chauffage rapide d'aliments minute et aliments avec haute teneur en eau, tels que soupes, boissons et la plupart des légumes.
90 %	9	Cuisson de petits morceaux tendres de viande, viande hachée, morceaux de volaille et filets de poisson. Chauffage de potages.
80 %	8	Chauffage de riz, pâtes ou mets en sauce remuables. Cuisson et chauffage d'aliments tels que poissons entiers et pains de viande qui ont besoin d'une puissance de chauffage inférieure à la puissance élevée.

POURCENTAGE/NOM	CHIFFRE	UTILISATION
70 %, Moyen-élevé	7	Réchauffage d'une seule portion d'aliments.
60 %	6	Cuisson d'aliments sensibles tels que le fromage et les mets à base d'oeufs, pudding et crèmes anglaises. Cuisson de mets en sauce non remuables tels que les lasagnes.
50 %, Moyen	5	Cuisson de jambon, volaille entière et de morceaux de viande à braiser. Mijotage de ragoûts.
40 %	4	Chauffage du pain, des petits pains et pâtisseries. Pour faire fondre le chocolat.
30 %, Moyen-faible, Décongélation	3	Décongélation de pain, poisson, viandes, volaille et aliments précuits.
20 %	2	Ramollir la crème glacée, le beurre et le fromage.
10 %, Faible	1	Mettre les fruits à température ambiante.

Cuisson manuelle

REMARQUE : La cuisson manuelle peut être effectuée en 2 étapes.

Utilisation :

1. Placer les aliments sur le plateau rotatif et fermer la porte.
2. Appuyer sur COOK (cuisson).
Entrer une durée de cuisson.
En cas de cuisson à la puissance maximale, passer directement à l'étape 4.
3. Appuyer sur POWER LEVEL (niveau de puissance), puis entrer le niveau de puissance désiré. Voir la section "Puissance de cuisson des micro-ondes".
Pour une cuisson par étapes, répéter les étapes 2 et 3 pour réglée la durée et la puissance de cuisson pour la deuxième étape.
4. Appuyer sur START (mise en marche).
L'afficheur procède à un compte à rebours de la durée de cuisson.
À la fin du programme, "END" (fin) apparaît sur l'afficheur, et les signaux de fin de programme sont émis.
5. Appuyer sur CANCEL (annulation) ou ouvrir la porte pour effacer l'affichage.

On ne peut modifier la durée et la puissance de cuisson après avoir appuyé sur START sans interrompre la cuisson.

Cuisson pré-réglée

Le four à micro-ondes a été programmé pour les aliments ordinaires allant au micro-ondes, avec leurs quantités, les puissances et les durées de cuisson.

REMARQUE : Pendant la fonction Maïs éclaté, comme avec toutes les fonctions de cuisson du micro-ondes, on doit toujours suivre la cuisson du four à micro-ondes. Attendre que l'éclatement ralentisse à 1 éclatement toutes les 1 ou 2 secondes, puis mettre fin au programme.

Utiliser le tableau suivant comme guide.

ALIMENT	QUANTITÉ PAR PORTION	INSTRUCTIONS
Popcorn (Maïs éclaté)*	3,5 oz (99 g) 1,75 oz (50 g)	Ne préparer qu'un sac à la fois. Pour des sacs dont les dimensions ne figurent pas dans cette section, suivre les indications de l'emballage.
Potato (Pomme de terre)	1 à 4 moyennes, 8 à 10 oz (227 à 283 g) chacune, de taille similaire	Percer plusieurs fois chaque pomme de terre avec une fourchette. Placer sur de l'essuie-tout, sur le pourtour du plateau rotatif, à au moins 1" (2,5 cm) les unes des autres. À la fin de la cuisson, les laisser reposer pendant 5 minutes.
Pizza (réfrigérée)	1 à 2 tranches, 4 oz (113 g) chacune	Placer sur de l'essuie-tout ou une assiette en carton dans le centre du plateau rotatif.
Beverage (Boisson)	1 ou 2 tasses, 8 oz (250 mL) chacune	Ne pas couvrir. Le diamètre de l'ouverture de la tasse affectera le mode de chauffage du liquide. Les boissons dans des tasses avec ouverture plus petite peuvent chauffer plus rapidement.
Frozen Entree (Plat surgelé)	10 oz (283 g)	Sortir de l'emballage. Dégager l'opercule sur 3 côtés. Si le plat ne se trouve pas dans un contenant pour micro-ondes, le placer sur une assiette, le couvrir d'une pellicule de plastique et laisser une ouverture d'échappement de l'air. Laisser reposer 2 à 3 minutes après la cuisson.
Dinner Plate (Assiettée) (réfrigérée)	1 portion, environ 10 oz (283 g)	Placer les aliments sur une assiette, la couvrir d'une pellicule de plastique, et laisser une ouverture d'échappement de l'air.
Fresh Vegetable (Légume frais)	1 à 4 tasses (250 mL à 1 L)	Les placer dans un contenant pour micro-ondes, et ajouter 2 à 4 c. à soupe (30 à 60 mL) d'eau. Recouvrir d'une pellicule de plastique, et laisser une ouverture d'échappement de l'air. Remuer et laisser reposer 2 à 3 minutes après cuisson.

*Pour éviter d'endommager le four à micro-ondes, ne pas utiliser de sacs de papier ordinaire ou d'articles en verre. Pour de meilleurs résultats de cuisson, ne pas essayer de faire éclater les grains qui n'ont pas éclaté. Utiliser des sacs de maïs à éclater frais pour des résultats optimaux. Les résultats de cuisson peuvent varier en fonction de la marque et de la teneur en matières grasses. Lors de l'utilisation d'un éclateur de maïs au micro-ondes, suivre les instructions du fabricant.

Utilisation d'une cuisson programmée :

1. Placer les aliments sur le plateau rotatif, et fermer la porte.
2. Appuyer sur la touche d'aliment désirée.
Sur l'afficheur apparaît la taille de la portion programmée la première. Appuyer de nouveau sur la touche pour changer la quantité. Voir le tableau pour les tailles de portion disponibles.
3. Appuyer sur START (mise en marche).
Le compte à rebours de la durée de cuisson s'affiche.
À la fin du programme, "END" (fin) apparaît sur l'afficheur, et les signaux de fin de programme sont émis.
4. Appuyer sur CANCEL (annulation) ou ouvrir la porte pour effacer l'affichage.

Décongélation

La caractéristique automatique Defrost (décongélation) peut être utilisée, ou le four à micro-ondes peut être réglé manuellement pour décongeler.

- Débarrasser les aliments et enlever les couvercles (par exemple, des contenants de jus de fruit) avant la décongélation.
- Les paquets peu épais se décongèlent plus rapidement que les blocs épais.
- Séparer les morceaux d'aliments le plus tôt possible durant ou à la fin du programme pour une décongélation plus uniforme.
- Utiliser de petits morceaux de papier d'aluminium pour protéger les extrémités d'aliments telles que les ailes et pilons de poulet et les queues de poisson. Voir d'abord "Papier d'aluminium et métal".

La caractéristique de décongélation utilise des entrées de poids. La décongélation automatique ne doit pas être utilisée pour des aliments qui ont été laissés hors du congélateur pendant plus de 20 minutes, ou pour des aliments surgelés prêts à l'emploi.

Pour utiliser la décongélation automatique :

1. Placer les aliments, sans couverts, sur le plateau rotatif, et fermer la porte.
2. Appuyer sur DEFROST (décongélation).
3. Entrer le poids en livres et en dixièmes de livres. Deux chiffres doivent être entrés. (Par exemple, entrer "05" pour 0,5 lb, ou "43" pour 4,3 lbs.)
Le poids peut être réglé de 0,1 lb à 6,5 lb (45 g à 2,9 kg).

4. Appuyer sur START (mise en marche).
L'afficheur procède à un compte à rebours de la durée de décongélation.

Pendant la décongélation, 5 signaux sonores brefs seront émis. Ces signaux sonores indiquent qu'il convient de vérifier, tourner, réarranger ou séparer les aliments. Ouvrir la porte, tourner les aliments si nécessaire, fermer la porte et appuyer sur START pour poursuivre la décongélation.

À la fin du programme, "END" (fin) apparaît sur l'affichage, et les signaux de fin de programme sont émis.

5. Appuyer sur CANCEL (annulation) ou ouvrir la porte pour effacer l'affichage.

Pour décongélation manuelle : Suivre les instructions dans la section "Cuisson manuelle", et utiliser la puissance de cuisson de 30 %. Voir le tableau de "Puissance de cuisson des micro-ondes".

ENTRETIEN DU FOUR À MICRO-ONDES

Nettoyage général

IMPORTANT : Avant le nettoyage, s'assurer que toutes les commandes sont désactivées et que le four à micro-ondes est froid. Toujours suivre les instructions sur l'étiquette des produits de nettoyage.

Le savon, l'eau et un linge doux ou une éponge sont suggérés à moins d'avis contraire.

CAVITÉ DU FOUR À MICRO-ONDES

Pour éviter d'endommager la cavité du four à micro-ondes, ne pas utiliser de tampons à récurer savonneux, de nettoyeurs abrasifs, de tampons en laine d'acier, de chiffons rugueux de lavage ou certains genres d'essuie-tout recyclés.

La surface où la porte et le cadre du four se touchent quand la porte est fermée doit être maintenue propre.

Saleté moyenne

- Savons et détergents doux, non abrasifs :
Rincer à l'eau propre et sécher avec un linge doux sans charpie.

Saleté intense

- Savons et détergents doux, non abrasifs :
Faire chauffer une tasse (250 mL) d'eau pendant 2 à 5 minutes dans le four. La vapeur amollira la saleté. Rincer à l'eau propre et sécher avec un linge doux sans charpie.

Odeurs

- Jus de citron ou vinaigre :
Faire chauffer une tasse (250 mL) d'eau avec une cuillerée à soupe (15 mL) de jus de citron ou de vinaigre pendant 2 à 5 minutes dans le four.

Couvercle - orifice d'introduction des micro-ondes

Pour éviter la formation d'arcs et les dommages causés au four à micro-ondes, le couvercle - orifice d'introduction des micro-ondes (voir la section "Pièces et caractéristiques") doit être maintenu propre.

- Essuyer avec un chiffon humide.

PORTE ET EXTÉRIEUR DU FOUR À MICRO-ONDES

La zone de contact de la porte et du cadre du four quand la porte est fermée doit être maintenue propre.

- Savons et détergents doux, non abrasifs :
Rincer à l'eau propre et sécher avec un chiffon doux sans charpie.
- Nettoyeur à vitre et essuie-tout ou tampon à récurer en plastique non abrasif :
Appliquer le nettoyeur à vitre sur l'essuie-tout, pas directement sur la surface.

TABLEAU DE COMMANDE

- Éponge ou chiffon doux et eau :
Mouiller l'éponge et essuyer le panneau. Sécher avec un chiffon doux.
- Pour ne pas endommager le tableau de commande, ne pas utiliser de nettoyeurs chimiques ou abrasifs.

PLATEAU ROTATIF

Remettre le plateau rotatif en place immédiatement après le nettoyage. Ne pas faire fonctionner le four à micro-ondes lorsque le plateau rotatif est enlevé.

- Nettoyeur doux et tampon à récurer
- Lave-vaisselle

DÉPANNAGE

Essayez d'abord les solutions suggérées ici afin d'éviter le coût d'une visite de service non nécessaire.

Rien ne fonctionne

- **Un fusible est-il grillé ou le disjoncteur s'est-il déclenché?**
Remplacer le fusible ou réenclencher le disjoncteur. Si le problème persiste, appeler un électricien.

Le four ne fonctionne pas

- **Le magnétron fonctionne-t-il correctement?**
Faire chauffer 1 tasse (250 mL) d'eau froide pendant 2 minutes à la puissance de cuisson maximale. Si l'eau ne chauffe pas, essayer les étapes ci-dessous. Si le four à micro-ondes ne fonctionne toujours pas, faire un appel de service. Voir la section "Assistance ou service".
- **La porte est-elle fermée complètement?**
Bien fermer la porte.
- **Une cale d'espacement de l'emballage (sur certains modèles) est-elle fixée à l'intérieur de la porte?**
Enlever la cale d'espacement de l'emballage, puis bien fermer la porte.
- **Le module de commande électronique du four à micro-ondes est-il correctement réglé?**
Voir la section "Commande du four à micro-ondes".
- **Le verrouillage des commandes est-il réglé?**
Voir la section "Verrouillage des commandes".
- **L'afficheur indique-t-il "DOOR" (Porte)?**
Ouvrir et fermer la porte du four à micro-ondes, puis appuyer sur START (mise en marche). Voir la section "Start (mise en marche)".

Le four bourdonne

- Ceci est normal et se produit lorsque l'alimentation électrique allume et éteint le magnétron par intermittence.

La porte du four semble gondolée

- Ceci est normal et n'affecte pas la performance.

Le plateau rotatif ne fonctionne pas

- **Le plateau rotatif est-il bien en place?**
S'assurer que le plateau rotatif est à l'endroit et repose bien sur son support. Voir la section "Plateau rotatif".
- **Le support du plateau rotatif fonctionne-t-il correctement?**
Retirer le plateau rotatif. Retirer et nettoyer le support du plateau rotatif et les roulettes. Réinstaller le support du plateau rotatif. Réinstaller le plateau rotatif. Placer 1 tasse (250 mL) d'eau, puis remettre le four à micro-ondes en marche. S'il ne fonctionne toujours pas, faire un appel de service. Voir la section "Assistance ou service". Ne pas faire fonctionner le four à micro-ondes sans que le plateau rotatif et son support fonctionnent correctement.

Le plateau rotatif tourne dans les deux sens

- Ceci est normal et dépend de la rotation du moteur au début du programme.

L'afficheur indique des messages

- **L'affichage indique-t-il "·"?**
Il y a eu une panne de courant ou l'horloge a été éteinte. Voir la section "Affichage" pour effacer l'affichage. Voir la section "Horloge" pour régler de nouveau l'horloge ou la mettre en marche.

L'afficheur indique le compte à rebours, mais le four à micro-ondes ne fonctionne pas

- **La minuterie est-elle en cours d'utilisation?**
Voir la section "Minuterie".

Les durées de cuisson semblent trop longues

- **La puissance de cuisson est-elle bien réglée?**
Voir la section "Puissance de cuisson des micro-ondes".
- **Chauffe-t-on de grosses quantités d'aliments?**
Les quantités plus grandes d'aliments nécessitent des durées de cuisson plus longues.
- **La tension d'alimentation est-elle inférieure à celle indiquée dans "Spécifications électriques"?**
Faire vérifier le système électrique du domicile par un électricien qualifié.

Brouillage par la radio, le téléviseur, le téléphone sans fil, etc.

- **Le four à micro-ondes est-il branché sur la même prise?**
Essayer une prise différente pour le dispositif électronique.
- **La radio ou le téléviseur se trouve-t-il près du four à micro-ondes?**
Éloigner l'appareil du four à micro-ondes ou ajuster l'antenne de la radio ou du téléviseur.
- **La porte du four à micro-ondes et les surfaces d'étanchéité sont-elles propres?**
S'assurer que ces zones sont propres.
- **Le téléphone sans fil est-il de fréquence 2,4 GHz?**
Certains téléphones sans fil de 2,4 GHz et certains réseaux domestiques sans fil peuvent être l'objet de parasites ou de bruit lorsque le four est en marche. Utiliser un téléphone avec fil, un téléphone sans fil avec une fréquence différente ou éviter d'utiliser ces articles pendant le fonctionnement du four.

ASSISTANCE OU SERVICE

Si vous avez besoin de service

Consulter la page de garantie du présent manuel.

Si vous avez besoin de pièces de rechange

Si vous avez besoin de commander des pièces de rechange, nous vous recommandons d'utiliser seulement des pièces spécifiées par l'usine. Les pièces spécifiées par l'usine conviendront et fonctionneront bien car elles sont fabriquées avec la même précision que celle utilisée pour fabriquer chaque nouvel appareil WHIRLPOOL®.

Pour localiser des pièces de rechange FSP® dans votre région, composer le numéro de téléphone d'aide à la clientèle suivant ou appeler le centre de service désigné le plus proche.

Au Canada

Veillez appeler sans frais le Centre pour l'eXpérience de la clientèle de Whirlpool Canada au : **1-800-807-6777** ou visitez notre site web à **www.whirlpool.ca**.

Nos consultants vous renseigneront sur les sujets suivants :

- Programmation d'une intervention de dépannage. Les techniciens de service désignés par Whirlpool sont formés pour remplir la garantie des produits et fournir un service après garantie partout au Canada.
- Caractéristiques et spécifications sur toute notre gamme d'appareils électroménagers.
- Références aux marchands locaux.
- Consignes d'utilisation et d'entretien.
- Vente d'accessoires et de pièces de rechange.
- Orientation vers des concessionnaires, distributeurs de pièces de rechange et services de réparation locaux. Les techniciens de service désignés par Whirlpool Canada LP sont formés pour remplir la garantie des produits et fournir un service après la garantie, partout au Canada.

Pour plus d'assistance

Si vous avez besoin de plus d'assistance, vous pouvez soumettre par écrit toute question ou préoccupation à Whirlpool Canada à l'adresse suivante :

Whirlpool Brand Home Appliances
Customer eXperience Centre
Whirlpool Canada
200 - 6750 Century Ave.
Mississauga, Ontario L5N 0B7

Veillez inclure dans votre correspondance un numéro de téléphone où l'on peut vous joindre dans la journée.

Pièces de rechange

Plateau rotatif en verre
Numéro de pièce W10315165

Support du plateau rotatif et
assemblage de roulettes
Numéro de pièce W10315166

Accessoires de nettoyage

Nettoyant pour appareils
ménagers de cuisine affresh®
Numéro de pièce W10355010

Produit de dégraissage pour
service intense
Numéro de pièce 31552A

GARANTIE LIMITÉE DE FOUR À MICRO-ONDES POSABLE WHIRLPOOL CORPORATION

GARANTIE LIMITÉE DE UN AN

Pendant un an à compter de la date d'achat d'origine, lorsque ce four à micro-ondes est installé, utilisé et entretenu conformément aux instructions jointes au produit ou fournies avec celui-ci, Whirlpool Corporation ou Whirlpool Canada LP (ci-après désignée "Whirlpool") choisira à son entière discrétion l'une des options suivantes : payer pour les pièces de rechange spécifiées par l'usine et la main-d'œuvre de réparation pour corriger les vices de matériaux ou de fabrication ou remplacer le produit. S'il est remplacé, l'appareil restera sous garantie pour la durée restant à courir de la garantie limitée d'un an du produit d'origine. Voir les instructions pour réparation/entretien ci-dessous.

LE SEUL ET EXCLUSIF RECOURS DU CLIENT DANS LE CADRE DE LA PRÉSENTE GARANTIE LIMITÉE CONSISTE EN LA RÉPARATION OU LE REMPLACEMENT DU PRODUIT PRÉVU PAR LA PRÉSENTE, ET CE À NOTRE DISCRÉTION. Le service de réparation/entretien doit être fourni par une entreprise de services désignée par Whirlpool. Cette garantie limitée est valide uniquement aux États-Unis ou au Canada et s'applique exclusivement lorsque le four à micro-ondes est utilisé dans le pays où il a été acheté. La présente garantie limitée est valable à compter de la date d'achat initial par le consommateur. Une preuve de la date d'achat d'origine est exigée pour obtenir une intervention de dépannage ou un remplacement dans le cadre de la présente garantie limitée.

ÉLÉMENTS EXCLUS DE LA GARANTIE

1. Les interventions de dépannage pour rectifier l'installation du four à micro-ondes, montrer à l'utilisateur comment utiliser le produit, remplacer ou réparer des fusibles du domicile, réenclencher les disjoncteurs ou rectifier le câblage ou la plomberie du domicile.
2. Les interventions de dépannage pour réparer ou remplacer des ampoules électriques. Les pièces consommables ne sont pas couvertes par la garantie.
3. Service à domicile. Le four à micro-ondes doit être envoyé à une entreprise de services de réparation désignée par Whirlpool.
4. Les réparations ou le remplacement lorsque le four à micro-ondes est utilisé à des fins autres que l'usage domestique unifamilial normal ou lorsque les instructions d'installation et/ou les instructions de l'opérateur ou de l'utilisateur fournies ne sont pas respectées.
5. Les dommages imputables à : accident, modification, usage impropre ou abusif, incendie, inondation, actes de Dieu, installation fautive ou installation non conforme aux codes d'électricité ou de plomberie ou utilisation de pièces consommables ou de produits de nettoyage non approuvés par Whirlpool.
6. Les défauts apparents, notamment les éraflures, les bosses, écaillage ou tout autre dommage au fini du four à micro-ondes, à moins que ces dommages soient dus à des vices de matériaux ou de fabrication et soient signalés à Whirlpool dans les 30 jours suivant la date d'achat.
7. Toute perte d'aliments due à la défaillance du four à micro-ondes.
8. Les réparations aux pièces ou systèmes résultant d'une modification non autorisée apportée à l'appareil.
9. Les fours à micro-ondes dont les numéros de série et de modèle originaux ont été enlevés, modifiés ou ne peuvent pas être facilement identifiés. Cette garantie est caduque si le numéro de série fourni par l'usine a été modifié ou retiré de l'appareil.

Le coût d'une réparation ou de pièces de rechange dans le cadre de ces conditions d'exclusion est à la charge du client.

Si vous résidez aux États-Unis et que votre four à micro-ondes posable Whirlpool® cesse de fonctionner durant la première année suivant son acquisition :

1. Appeler sans frais le Centre pour l'expérience de la clientèle au **1-800-253-1301**.
 2. Indiquer au conseiller le numéro de modèle et de série, ainsi que l'adresse d'expédition.
 3. Le conseiller vous indiquera si le four à micro-ondes peut bénéficier d'une réparation ou d'un remplacement.
 4. Dans le cas d'une réparation, il vous sera peut-être demandé d'envoyer le produit vers un centre de réparation désigné par Whirlpool. L'assurance et le fret jusqu'au centre de réparation désigné relèvent de votre responsabilité. Veuillez indiquer vos nom et adresse sur une feuille de papier avec une copie de votre preuve d'achat (reçu de caisse, bordereau d'achat, etc.). Le four à micro-ondes doit être correctement emballé pour éviter tout dommage pendant le transport car nous ne pourrions être tenus responsables d'un tel dommage.
 5. Whirlpool retournera à votre domicile l'appareil réparé ou, à sa discrétion, un four à micro-ondes identique ou comparable, et ce sans frais.
-

CLAUSE D'EXONÉRATION DE RESPONSABILITÉ AU TITRE DES GARANTIES IMPLICITES

LES GARANTIES IMPLICITES, Y COMPRIS LES GARANTIES APPLICABLES DE QUALITÉ MARCHANDE OU D'APTITUDE À UN USAGE PARTICULIER, SONT LIMITÉES À UN AN OU À LA PLUS COURTE PÉRIODE AUTORISÉE PAR LA LOI. Certains États et provinces ne permettent pas de limitation sur la durée de garanties implicites de qualité marchande ou d'aptitude à un usage particulier, de sorte que la limitation ci-dessus peut ne pas être applicable dans votre cas. Cette garantie vous confère des droits juridiques spécifiques et vous pouvez également jouir d'autres droits qui peuvent varier d'une juridiction à l'autre.

LIMITATION DES RECOURS; EXCLUSION DES DOMMAGES FORTUITS OU INDIRECTS

LE SEUL ET EXCLUSIF RECOURS DU CLIENT DANS LE CADRE DE LA PRÉSENTE GARANTIE LIMITÉE CONSISTE EN LA RÉPARATION OU LE REMPLACEMENT DU PRODUIT PRÉVU PAR LA PRÉSENTE, ET CE À NOTRE DISCRÉTION. WHIRLPOOL N'ASSUME AUCUNE RESPONSABILITÉ POUR LES DOMMAGES FORTUITS OU INDIRECTS. Certains États et provinces ne permettent pas l'exclusion ou la limitation des dommages fortuits ou indirects de sorte que ces limitations peuvent ne pas être applicables dans votre cas. Cette garantie vous confère des droits juridiques spécifiques et vous pouvez également jouir d'autres droits qui peuvent varier d'une juridiction à l'autre.

A l'extérieur du Canada et des 50 États des États-Unis, cette garantie ne s'applique pas. Contacter votre marchand Whirlpool autorisé pour déterminer si une autre garantie s'applique.

Si vous avez besoin de service, voir d'abord la section "Dépannage" du Guide d'utilisation et d'entretien. Vous trouverez de l'aide supplémentaire en consultant la section "Assistance ou service" ou en appelant Whirlpool. Aux É.-U., composer le **1-800-253-1301**. Au Canada, composer le **1-800-807-6777**.

9/12

Conservez ce manuel et votre reçu de vente ensemble pour référence ultérieure. Pour le service sous garantie, vous devez présenter un document prouvant la date d'achat ou d'installation.

Inscrivez les renseignements suivants au sujet de votre gros appareil ménager pour mieux vous aider à obtenir assistance ou service en cas de besoin. Vous devrez connaître le numéro de modèle et le numéro de série au complet. Vous trouverez ces renseignements sur la plaque signalétique située sur le produit.

Nom du marchand _____

Adresse _____

Numéro de téléphone _____

Numéro de modèle _____

Numéro de série _____

Date d'achat _____

Notes

W10677550B
SP PN W10677551

®/™ ©2014 Whirlpool. All rights reserved. Used under license in Canada.
Tous droits réservés. Utilisé sous licence au Canada.

JS1M0609-18217-004A
12/14
Printed in China
Imprimé en Chine