



# Whirlpool® Top Mount Refrigerator

## PRODUCT MODEL NUMBERS

ET1FTEXV ET8WTEXV  
 ET1CHEXV GR2FHMXV  
 ET8CHEXV GR9FHMXV  
 ET8FTEXV

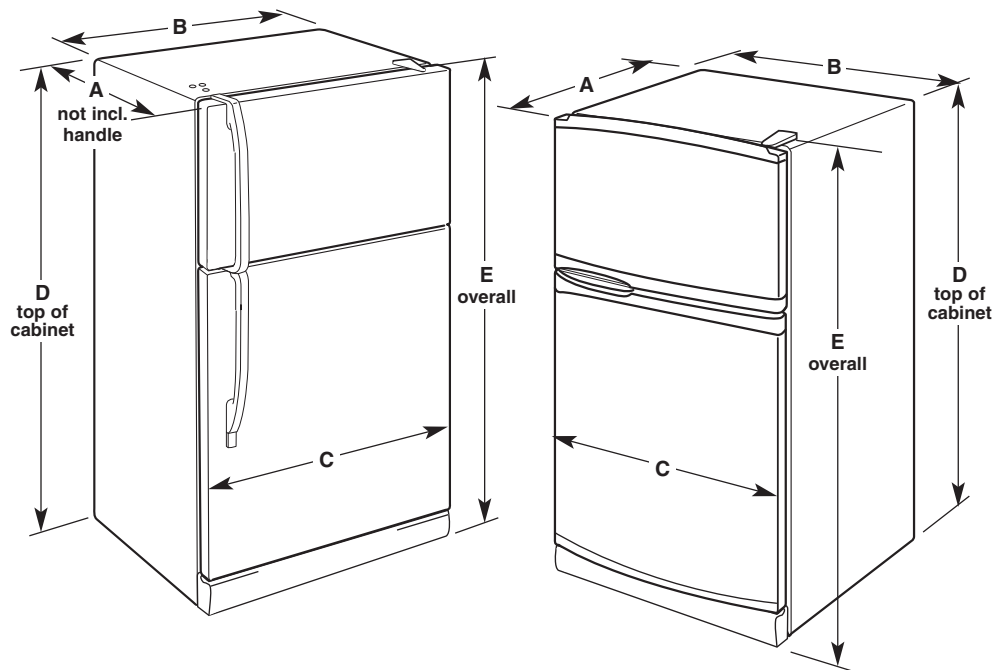
**Electrical:** A 115 Volt, 60 Hz., AC only 15 or 20 amp fused, grounded electrical supply is required. It is recommended that a separate circuit serving only your refrigerator be provided. Use an outlet that cannot be turned off by a switch. Do not use an extension cord.

**Water:** Connect the ice maker to a cold water line with water pressure between 30 and 120 psi (207 - 827 kPa).

If a reverse osmosis water filtration system is connected to your cold water supply, the water pressure to the system needs to be a minimum of 40 to 60 psi (276 - 414 kPa).

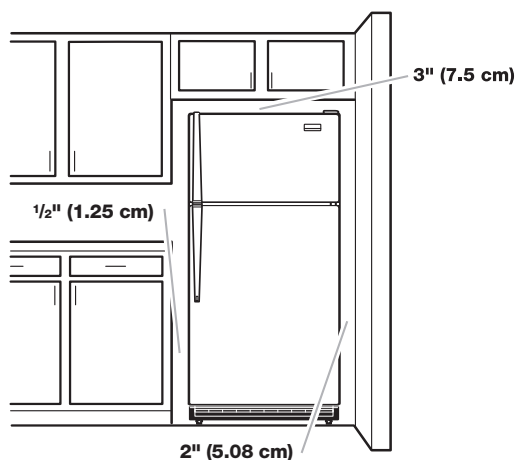
**IMPORTANT:** The pressure of the water coming out of a reverse osmosis system going to the water inlet valve of the refrigerator needs to be between 30 and 120 psi (207 - 827 kPa).

## OVERALL DIMENSIONS



Model size	Depth "A"	Cab. Width "B"	Door Width "C"	Cab. Height "D"	Overall Height "E"
18 cu. ft.	29-3/8"	29-1/2"	29-3/4"	65-1/2"	66-1/4"
19 cu. ft.	31-1/2"	29-1/2"	30-1/8"	65-1/2"	66-1/2"
21 cu. ft.	29-3/8"	32-1/2"	32-3/4"	65-1/2"	66-1/4"
22 cu. ft.	31-1/2"	32-1/2"	33-1/8"	65-1/2"	66-1/2"

## LOCATION REQUIREMENTS



To ensure proper ventilation for your refrigerator, allow for 1/2" (1.25 cm) space on each side. Allow 3" (7.5 cm) of space between overhead cabinets and refrigerator top. When installing your refrigerator next to a fixed wall, leave 2" (5.08 cm) minimum on the hinge side (depending on your model) to allow for the door to swing open. If your refrigerator has an ice maker, allow extra space at the back for the water line connections.

**NOTE:** Do not install the refrigerator near an oven, radiator, or other heat source, nor in a location where the temperature will fall below 55°F (13°C).