



---

## **BOTTOM MOUNT REFRIGERATOR**

### **Use & Care Guide**

For questions about features, operation/performance, parts, accessories or service, call: **1-800-253-1301** or visit our website at [www.whirlpool.com](http://www.whirlpool.com)

In Canada, call: **1-800-807-6777** or visit our website at [www.whirlpool.ca](http://www.whirlpool.ca)

---

Table of Contents.....2

---

## **RÉFRIGÉRATEUR SUPERPOSÉ**

### **Guide d'utilisation et d'entretien**

Au Canada, pour assistance, installation ou service composez le **1-800-807-6777** ou visitez notre site web à

[www.whirlpool.ca](http://www.whirlpool.ca)

---

Table des matières.....2

# TABLE OF CONTENTS

<b>REFRIGERATOR SAFETY</b> .....	<b>2</b>	<b>REFRIGERATOR FEATURES</b> .....	<b>10</b>
Proper Disposal of Your Old Refrigerator.....	3	Refrigerator Shelves.....	11
<b>INSTALLATION INSTRUCTIONS</b> .....	<b>4</b>	Cooler Compartment.....	11
Unpack the Refrigerator.....	4	Fan.....	11
Before Use.....	4	Freezer Compartment.....	11
Location Requirements.....	5	<b>REFRIGERATOR CARE</b> .....	<b>11</b>
Electrical Requirements.....	5	Cleaning.....	11
Reverse Door Swing (optional).....	6	Defrosting.....	12
<b>REFRIGERATOR USE</b> .....	<b>9</b>	Lights.....	12
Using the Controls.....	9	Vacation and Moving.....	12
		<b>TROUBLESHOOTING</b> .....	<b>13</b>
		Accessories.....	14
		<b>WARRANTY</b> .....	<b>15</b>

# TABLE DES MATIÈRES

<b>SÉCURITÉ DU RÉFRIGÉRATEUR</b> .....	<b>17</b>	<b>CARACTÉRISTIQUES DU RÉFRIGÉRATEUR</b> .....	<b>24</b>
Mise au rebut adéquate de votre vieux réfrigérateur.....	18	Tablettes du réfrigérateur.....	25
<b>INSTRUCTIONS D'INSTALLATION</b> .....	<b>18</b>	Compartiment de refroidissement.....	25
Déballage du réfrigérateur.....	18	Ventilation.....	25
Avant utilisation.....	18	Compartiment de congélation.....	25
Exigences d'emplacement.....	19	<b>ENTRETIEN DU RÉFRIGÉRATEUR</b> .....	<b>26</b>
Spécifications électriques.....	19	Nettoyage.....	26
Inversion du sens de l'ouverture de la porte (facultatif).....	20	Décongélation.....	27
<b>UTILISATION DU RÉFRIGÉRATEUR</b> .....	<b>23</b>	Lampes.....	27
Utilisation des commandes.....	23	Vacances ou déménagement.....	27
		<b>DÉPANNAGE</b> .....	<b>28</b>
		Accessoires.....	29
		<b>GARANTIE</b> .....	<b>30</b>

# REFRIGERATOR SAFETY

## Your safety and the safety of others are very important.

We have provided many important safety messages in this manual and on your appliance. Always read and obey all safety messages.



This is the safety alert symbol.

This symbol alerts you to potential hazards that can kill or hurt you and others.

All safety messages will follow the safety alert symbol and either the word "DANGER" or "WARNING."

These words mean:

**⚠ DANGER**

You can be killed or seriously injured if you don't immediately follow instructions.

**⚠ WARNING**

You can be killed or seriously injured if you don't follow instructions.

All safety messages will tell you what the potential hazard is, tell you how to reduce the chance of injury, and tell you what can happen if the instructions are not followed.

## IMPORTANT SAFETY INSTRUCTIONS

**WARNING:** To reduce the risk of fire, electric shock, or injury when using your refrigerator, follow these basic precautions:

- Plug into a grounded 3 prong outlet.
- Do not remove ground prong.
- Do not use an adapter.
- Do not use an extension cord.
- Disconnect power before servicing.
- Replace all parts and panels before operating.
- Remove doors from your old refrigerator.
- Use nonflammable cleaner.
- Keep flammable materials and vapors, such as gasoline, away from refrigerator.
- Use two or more people to move and install refrigerator.
- Disconnect power before cleaning fan cover (on some models).
- Disconnect power before installing ice maker (on ice maker kit ready models only).
- Use a sturdy glass when dispensing ice (on some models).
- Do not hit the refrigerator glass doors (on some models).
- If the power supply cord is damaged, it must be replaced by the manufacturer or its service agent or a similarly qualified person, in order to avoid a hazard.

## SAVE THESE INSTRUCTIONS

### Proper Disposal of Your Old Refrigerator

#### **⚠ WARNING**

##### Suffocation Hazard

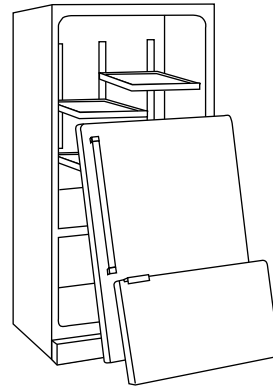
Remove doors from your old refrigerator.

Failure to do so can result in death or brain damage.

**IMPORTANT:** Child entrapment and suffocation are not problems of the past. Junked or abandoned refrigerators are still dangerous – even if they will sit for “just a few days.” If you are getting rid of your old refrigerator, please follow these instructions to help prevent accidents.

#### Before You Throw Away Your Old Refrigerator or Freezer:

- Take off the doors.
- Leave the shelves in place so that children may not easily climb inside.



#### Important information to know about disposal of refrigerants:

Dispose of refrigerator in accordance with Federal and Local regulations. Refrigerants must be evacuated by a licensed, EPA certified refrigerant technician in accordance with established procedures.

# INSTALLATION INSTRUCTIONS

## Unpack the Refrigerator

### **! WARNING**

#### **Excessive Weight Hazard**

**Use two or more people to move and install refrigerator.**

**Failure to do so can result in back or other injury.**

## Remove the Packaging

- Remove tape and glue residue from surfaces before turning on the refrigerator. Rub a small amount of liquid dish soap over the adhesive with your fingers. Wipe with warm water and dry.
- Do not use sharp instruments, rubbing alcohol, flammable fluids, or abrasive cleaners to remove tape or glue. These products can damage the surface of your refrigerator. For more information, see “Refrigerator Safety.”
- Dispose of/recycle all packaging materials.

## Before Use

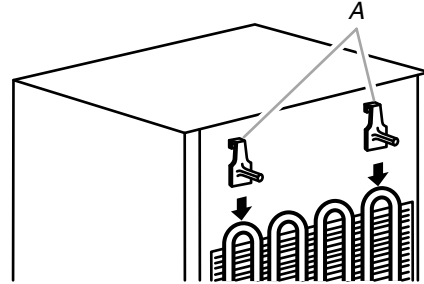
### **When Moving Your Refrigerator:**

Your refrigerator is heavy. When moving the refrigerator for cleaning or service, be sure to cover the floor with cardboard or hardboard to avoid floor damage. Always pull the refrigerator straight out when moving it. Do not wiggle or “walk” the refrigerator when trying to move it, as floor damage could occur.

### **IMPORTANT:**

- To ensure best use of your refrigerator, read the instructions, which contain a description of the refrigerator and other useful information.
- Any work on the refrigerator must be carried out by a qualified service technician.
- Wait at least 2 hours before connecting the refrigerator to a power supply to ensure that the refrigerant circuit is fully efficient.

- During installation, keep the power cord out of the way, to avoid damage.
- The refrigerator must be level and not tilted to the rear.
- Fit the spacers (if supplied) on the upper part of the condenser at the back of the refrigerator, as shown.



*A. Spacers*

## Clean Before Using

After you remove all of the packaging materials, clean the inside of your refrigerator before using it. See the cleaning instructions in “Refrigerator Care.”

### **Important information to know about glass shelves and covers:**

Do not clean glass shelves or covers with warm water when they are cold. Shelves and covers may break if exposed to sudden temperature changes or impact, such as bumping. Tempered glass is designed to shatter into many small, pebble-size pieces. This is normal. Glass shelves and covers are heavy. Use both hands when removing them to avoid dropping.

## Location Requirements

### **⚠ WARNING**



#### Explosion Hazard

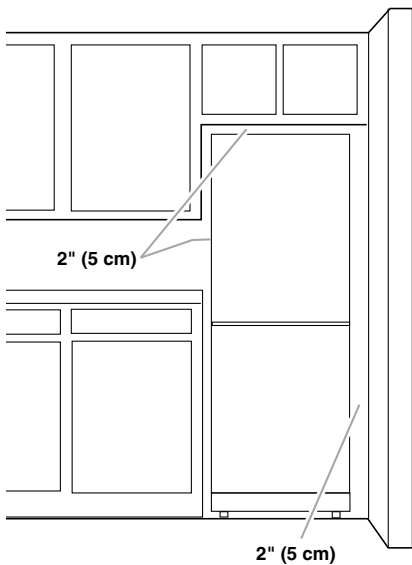
Keep flammable materials and vapors, such as gasoline, away from refrigerator.

Failure to do so can result in death, explosion, or fire.

**IMPORTANT:** This refrigerator is designed for indoor, household use only.

To ensure proper ventilation, allow for 2" (5 cm) of space between the top of the refrigerator and overhead cabinets and between the back of the refrigerator and the wall. If your refrigerator has an ice maker, allow extra space at the back for the water line connections. When installing your refrigerator next to a fixed wall, leave a 2" (5 cm) minimum space between the refrigerator and wall to allow the door to swing open.

**NOTE:** Keep the refrigerator ventilation openings clear.



**NOTE:** This refrigerator is intended for use in a location where the temperature ranges from a minimum of 50°F (10°C) to a maximum of 110°F (43°C). The preferred room temperature range for optimum performance, which reduces electricity usage and provides superior cooling, is between 61°F (16°C) and 110°F (43°C). It is recommended that you do not install the refrigerator near a heat source, such as an oven or radiator.

## Electrical Requirements

### **⚠ WARNING**



#### Electrical Shock Hazard

Plug into a grounded 3 prong outlet.

Do not remove ground prong.

Do not use an adapter.

Do not use an extension cord.

Failure to follow these instructions can result in death, fire, or electrical shock.

Before you move your refrigerator into its final location, it is important to make sure you have the proper electrical connection.

#### Recommended Grounding Method

A 115 volt, 60 Hz, AC only 15- or 20-amp fused, grounded electrical supply is required. It is recommended that a separate circuit serving only your refrigerator be provided. Use an outlet that cannot be turned off by a switch. Do not use an extension cord.

**NOTE:** Before performing any type of installation, cleaning, or removing a light bulb disconnect the refrigerator from the electrical source. When you have finished, reconnect the refrigerator to the electrical source.

## Reverse Door Swing (optional)

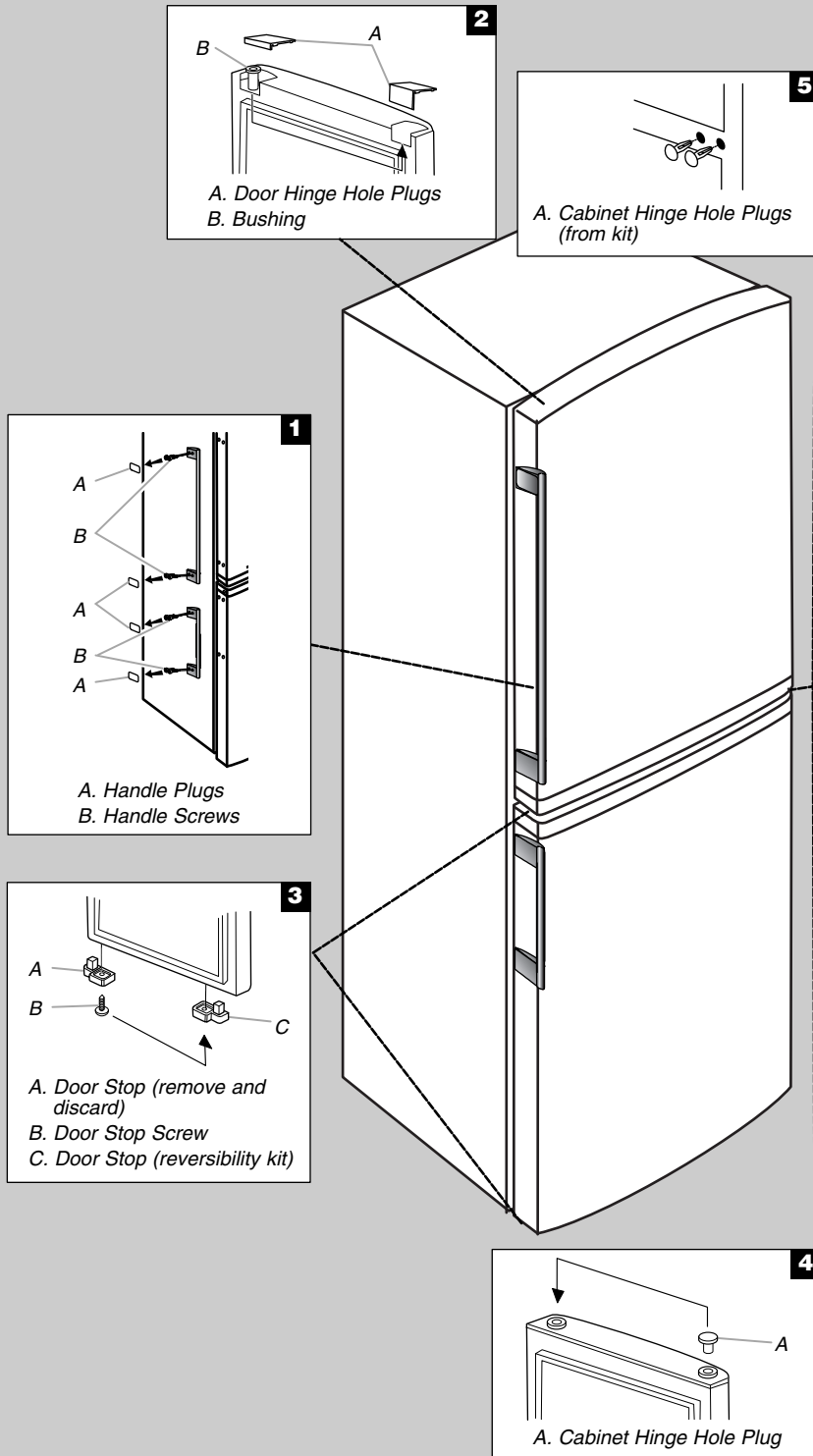
If you want to reverse the direction of the door swing, so that the freezer and refrigerator doors open from the opposite side, see the following instructions.

**IMPORTANT:** Before you begin, unplug refrigerator or disconnect power, and remove food and door trays from the doors. Gather the required tools and read all instructions before removing doors.

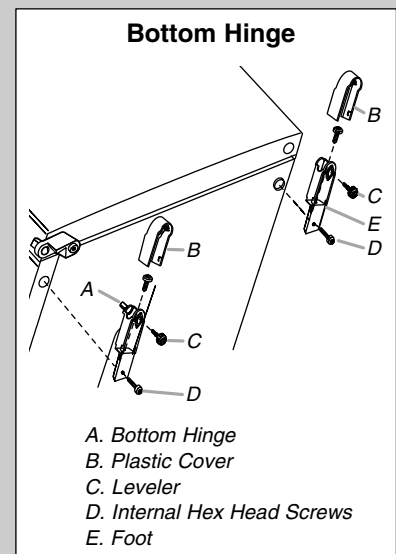
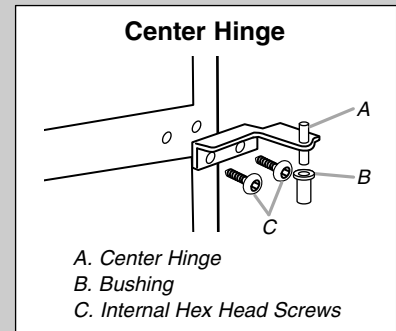
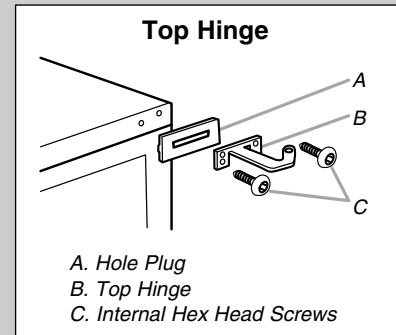
**Parts Supplied:** Locate the Reversibility Kit (provided) in the crisper drawer. The kit contains (2) door stops, (3) cabinet hole plugs and (8) handle hole plugs.

**Tools Needed:** 3/16" hex key, #2 Phillips screwdriver and a flat-blade screwdriver

### Door Swing Reversal (optional)

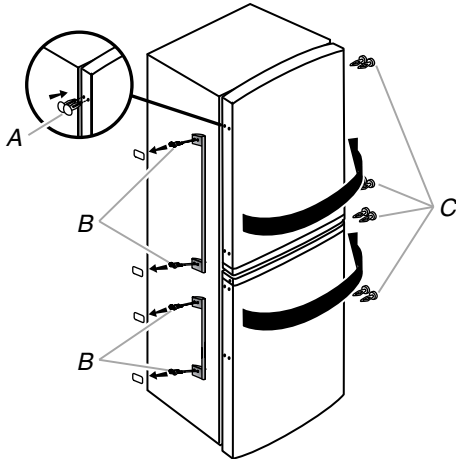


### Hinges



## Reverse Handles

1. Unplug refrigerator or disconnect power.
2. Using a screwdriver, remove the handle plugs and then the handles from the left-hand side of the door and remove the hole plugs from the right-hand side.
3. Insert the hole plugs (from the Reversibility Kit) into the holes remaining after the removal of the handles.
4. Install the door handles with their handle plugs to the opposite side of the door.



- A. New hole plugs (from Reversibility Kit)  
B. Handle screws  
C. Hole plugs (remove and discard)

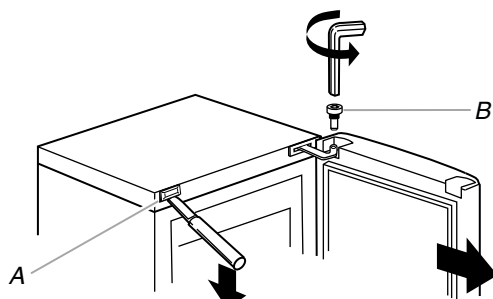
## Remove the Doors

### NOTES:

- Keep the doors closed until you are ready to lift them free from the cabinet.
- Provide additional support for the doors while the hinges are being removed. Do not depend on the door gasket magnets to hold the doors in place while you are working.

### Refrigerator Door

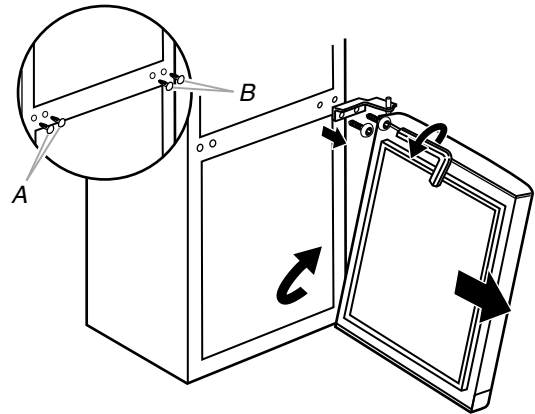
1. Using a hex key, remove the screw attaching the refrigerator door to the top hinge. Lift the refrigerator door from the center hinge.
2. Using a flat-blade tool, remove the cabinet hole plug. Set aside.



- A. Cabinet hole plug  
B. Top hinge screw

### Freezer Door

1. Using a hex key, remove the center hinge. See Center Hinge graphic.
2. Lift the freezer door from the bottom hinge.
3. Remove and discard the two center hinge hole plugs from the left-hand side of the cabinet.
4. Insert two cabinet hole plugs, from the Reversibility Kit, into the holes remaining from the removal of the center hinge.

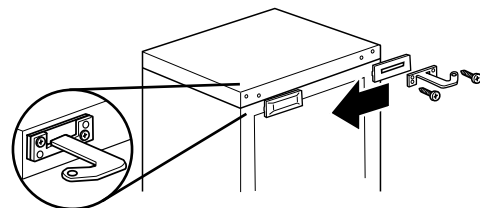


- A. Hole plugs (remove and discard)  
B. Hole plugs (from Reversibility Kit)

## Reverse the Hinges

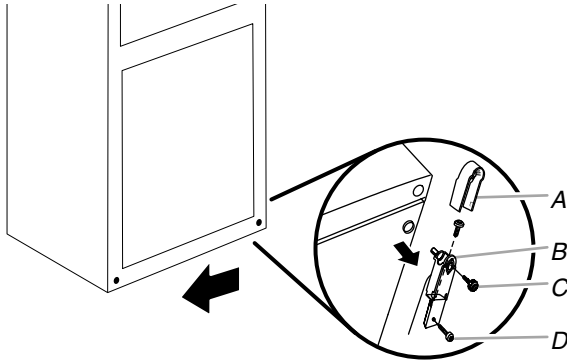
### Cabinet

1. Using a hex key, remove the top hinge and hole plug from the right-hand side of the cabinet. See Top Hinge graphic.
2. Move the bushing to the opposite side of the cabinet. See Graphic 2.
3. Turn the hinge over, so that it is facing the opposite direction, and install it on the left-hand side of the cabinet.
4. Insert the rectangular cabinet hole plug, removed earlier, into the holes remaining after the removal of the top hinge.



5. Using two or more people, push against the top, front of the refrigerator to tilt it slightly backward.
6. At the bottom, left-hand side of the cabinet, remove the plastic cover and the foot. Unscrew the leveler, and using the hex key, remove the front and bottom foot screws.  
**NOTE:** You may need to use a flat-edged tool to pry the plastic cover from the foot.
7. At the bottom, right-hand side of the cabinet, remove the plastic cover and the hinge. Unscrew the leveler, and using the hex key, remove the front and bottom hinge screws.  
**NOTE:** You may need to use a flat-edged tool to pry the plastic cover from the hinge.
8. Move the bottom hinge and the foot to the opposite sides of the cabinet.
9. Using the hex key, place the hex screws into the holes of the bottom hinge and fasten the hinge to the cabinet. Replace the plastic cover and reinstall the leveler. See Bottom Hinge graphic.

- Using the hex key, place the hex screws into the foot holes and fasten the foot to the cabinet. Replace the plastic cover and reinstall the leveler.

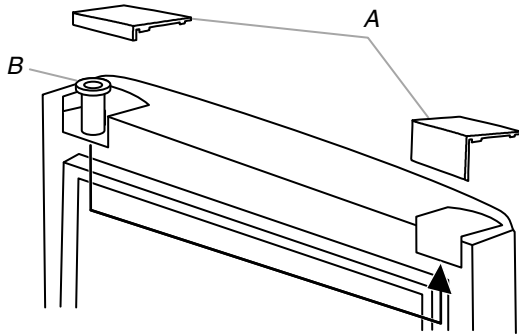


A. Plastic cover  
B. Bottom hinge  
C. Leveler  
D. Hinge screws

## Doors

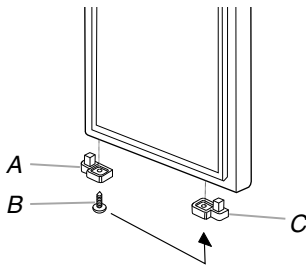
### Refrigerator Door

- Move the hole plug from the top of the refrigerator door to the opposite side. See Graphic 2.



A. Door hinge hole plug  
B. Bushing

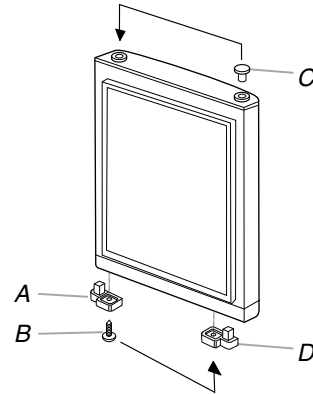
- Using a Phillips screwdriver, remove and discard the door stop from the bottom of the refrigerator door. Set aside door stop screw.
- Insert a door stop, from the Reversibility Kit, into the holes in the bottom, left-hand side of the refrigerator door. Fasten with the screw removed in Step 2. See Graphic 3.



A. Door stop (remove and discard)  
B. Door stop screw  
C. Door stop (Reversibility Kit)

### Freezer Door

- Move the hole plug from the top of the freezer door to the opposite side. See Graphic 4.
- Using a Phillips screwdriver, remove and discard the door stop from the bottom of the freezer door. Set aside door stop screw.
- Insert a door stop, from the Reversibility Kit, into the holes in the bottom, left-hand side of the freezer door. Fasten with the screw removed in Step 2. See Graphic 3.

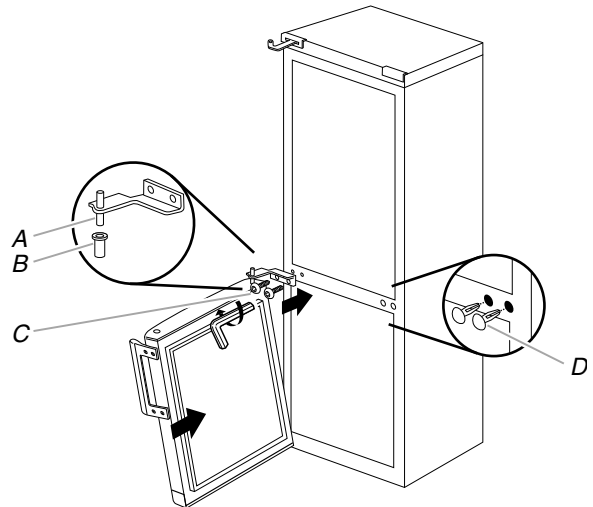


A. Door stop (remove and discard)  
B. Door stop screw  
C. Hole plug  
D. Door stop (Reversibility Kit)

## Reinstall the Doors

### Freezer Door

- Set the freezer door onto the bottom hinge pin.
- Move the bushing from the top of the center hinge pin to the bottom of the center hinge pin. Insert the hinge pin into the top of the freezer door.
- Using the hex key, and the two internal hex head screws, removed earlier, install the center hinge to the left-hand side of the cabinet.
- Insert two hole plugs, from the Reversibility Kit, into the holes remaining after the removal of the center hinge. See Graphic 5.

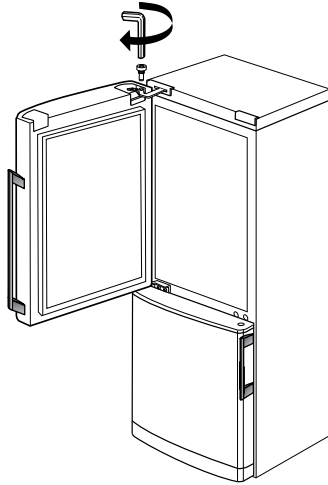


A. Center hinge pin  
B. Bushing  
C. Internal hex head screws  
D. Hole plugs (Reversibility Kit)



## Refrigerator Door

1. Place the refrigerator door onto the center hinge pin.
2. Using the hex key and the internal hex head screw, removed earlier, fasten the top hinge to the top of the refrigerator door.



3. Reinstall the hinge hole plug on the opposite side of the refrigerator door.

### Final Steps

1. Check all holes to make sure that hole plugs and screws are in place and are fully tightened.

## ⚠ WARNING



### Electrical Shock Hazard

Plug into a grounded 3 prong outlet.

Do not remove ground prong.

Do not use an adapter.

Do not use an extension cord.

Failure to follow these instructions can result in death, fire, or electrical shock.

2. Plug into a grounded 3 prong outlet.
3. Return all removable door parts to door and food to refrigerator.

## REFRIGERATOR USE

### Using the Controls

The control panel is located at the top front of the refrigerator compartment.

#### IMPORTANT:

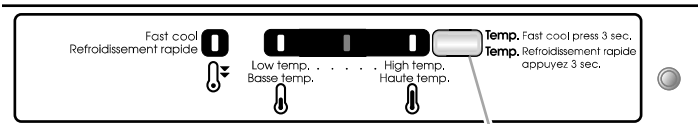
- After you plug in the refrigerator, it automatically begins to cool.
- The indicator LEDs on the control panel light up for approximately 1 second, and following the initialization process the temperature set point is displayed.

- The recommended temperature setting should be correct for normal household refrigerator use. The controls are set correctly when milk or juice is as cold as you like and when ice cream is firm.
- Wait at least 24 hours for your refrigerator to cool completely before adding food. If you add food before the refrigerator has cooled completely, your food may spoil.  
**NOTE:** Adjusting the refrigerator and freezer temperature controls to a colder than recommended setting will not cool the compartments any faster.
- If the temperature is too warm or too cold in the refrigerator or freezer, first check the air vents to be sure they are not blocked before adjusting the controls.

### Temperature Controls

For your convenience, the temperature control is preset at the factory. When you first install your refrigerator, make sure the controls are still set to the recommended setting as shown.

#### Recommended Setting "Middle"



A

A. Temperature control button

### Temperature Selection

If you want to adjust the temperature in both the freezer and refrigerator compartments, use the temperature settings listed in the chart below as a guide.

Press the temperature control button to toggle through the temperature selections from High (least cold) to Middle (colder) to Low (coldest).

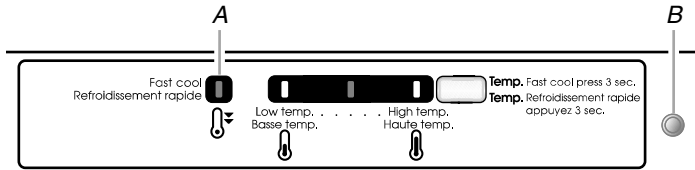
**NOTE:** Do not adjust the control more than one setting at a time. Wait 24 hours between adjustments for the temperature to stabilize.

DISPLAY	TEMPERATURE
	High
	Mid-High (Eco Green)
	Middle (Recommended)
	Mid-Low
	Low

## Fast Cool

The Fast Cool feature increases the cooling speed when a large amount of food is placed in the refrigerator, or fresh food to be frozen is placed in the freezer.

- Press and hold the button for 3 seconds until the Fast Cool (yellow LED) illuminates.
- The Fast Cool feature will remain on for 6 hours unless it is manually turned off.
- Manually turn off Fast Cool by pressing and holding the control button for 3 seconds until the (yellow LED) is off.



A. Fast cool LED  
B. Internal light switch

## Failure Alarms

After the refrigerator is plugged in, during the first 10 minutes of its performance, possible temperature sensor failure will be displayed as shown in the following chart. Although the refrigerator will continue to cool, it is necessary to call Service and provide the alarm code. See either the front cover or the Warranty for contact information.

### Failure Alarm Codes

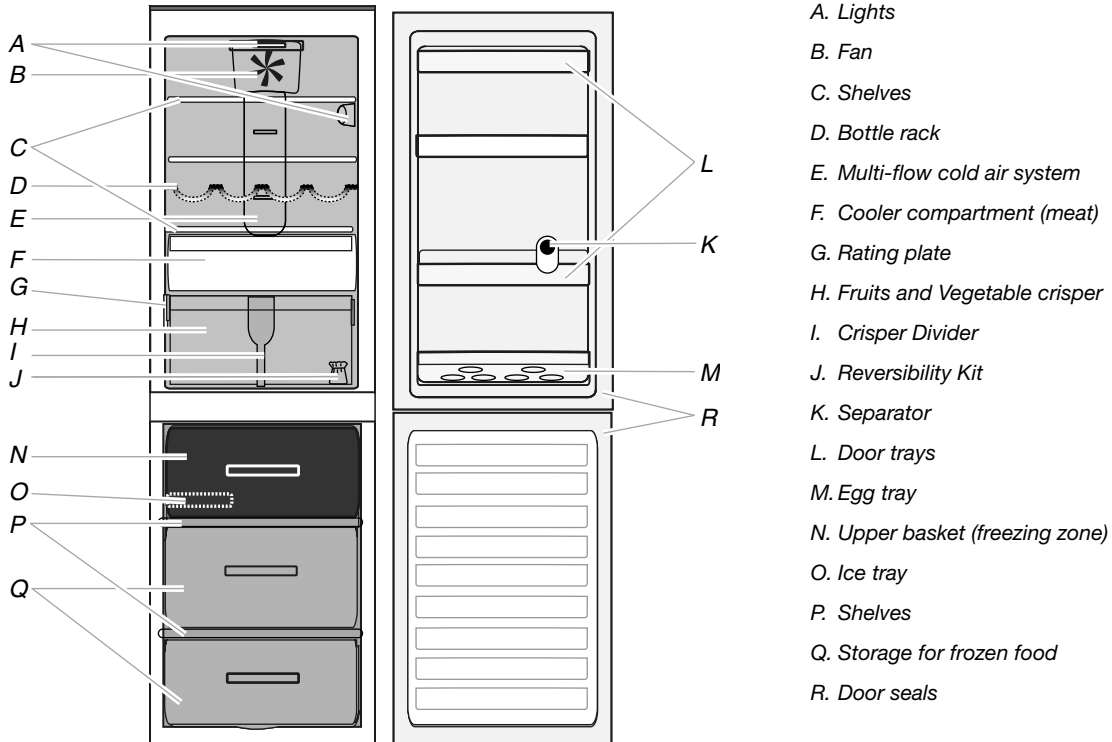
	Evaporator
	Refrigerator
	Refrigerator and Evaporator
	Heater Connections

Below the table are three temperature indicator icons: a thermometer with a fan, a thermometer with a dot, and a thermometer with a vertical line.



# REFRIGERATOR FEATURES

Depending on your model, the number and type of features may vary.



## Refrigerator Shelves

The shelves and door trays in your refrigerator are removable and adjustable to meet your storage needs.

### NOTES:

- Storing similar food items together in your refrigerator and adjusting the shelves to fit different heights of items will make finding the exact item you want easier. It will also reduce the amount of time the refrigerator door is open, and save energy.
- The refrigerator interior features are not dishwasher safe.

### Glass Shelves

#### Important information to know about glass shelves and covers:

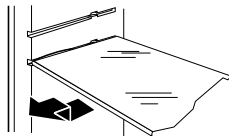
Do not clean glass shelves or covers with warm water when they are cold. Shelves and covers may break if exposed to sudden temperature changes or impact, such as bumping. Tempered glass is designed to shatter into many small, pebble-size pieces. This is normal. Glass shelves and covers are heavy. Use both hands when removing them to avoid dropping.

#### To remove a shelf:

1. Remove items from the shelf.
2. Slide the shelf straight out to the stop.
3. Depending on your model, lift the back or front of the shelf past the stop. Pull the shelf out the rest of the way.

#### To replace a shelf:

1. Slide the back of the shelf into the track in the wall of the cabinet.
2. Guide the front of the shelf into the shelf track. Be sure to slide the shelf in all the way.

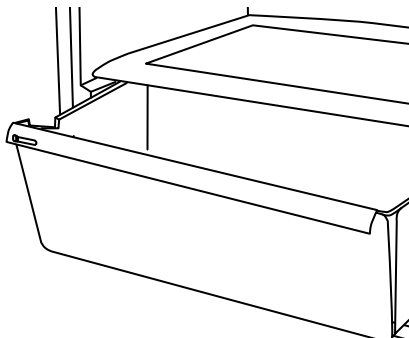


## Cooler Compartment (on some models)

The cooler compartment is the optimum place to store fresh meat, poultry and fish.

#### To remove and replace the drawer:

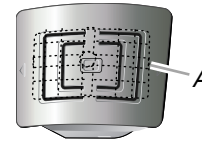
1. Slide drawer straight out to the stop. Lift the drawer from the slide rails and pull out the rest of the way.
2. Replace the drawer by placing it on the slide rails and pushing it back into position past the drawer stop.



## Fan

The fan improves temperature distribution inside the refrigerator compartment, allowing better preservation of stored food. By default, the fan is on.

**NOTE:** Do not block the air intake area.



A. Fan cover

## Freezer Compartment

To increase storage space and for larger items, the freezer compartment can be used without the baskets. Remove the baskets and place the items directly on the racks.

# REFRIGERATOR CARE

## Cleaning

### ⚠ WARNING



#### Explosion Hazard

Use nonflammable cleaner.

Failure to do so can result in death, explosion, or fire.

Clean both the refrigerator and freezer sections about once a month to avoid buildup of odors. Wipe up spills immediately.

#### IMPORTANT:

- Because air circulates between both sections, any odors formed in one section will transfer to the other. You must thoroughly clean both sections to eliminate odors. To avoid odor transfer and drying out of food, wrap or cover foods tightly.
- For stainless steel models, stainless steel is corrosion-resistant not corrosion-proof. To help avoid corrosion of your stainless steel, keep your surfaces clean by using the following cleaning instructions.

### Cleaning the Refrigerator

**NOTE:** Do not use abrasive or harsh cleaners such as window sprays, scouring cleansers, flammable fluids, muriatic acid, cleaning waxes, concentrated detergents, bleaches or cleansers containing petroleum products on exterior surfaces (doors and cabinet), plastic parts, interior and door liners or gaskets. Do not use paper towels, scouring pads, or other harsh cleaning tools.

1. Unplug refrigerator or disconnect power.
2. Hand wash, rinse, and dry removable parts and interior surfaces thoroughly. Use a clean sponge or soft cloth and a mild detergent in warm water.

3. Clean the exterior surfaces.

**Painted metal:** Wash painted metal exteriors with a clean, soft cloth or sponge and a mild detergent in warm water. Rinse surfaces with clean, warm water and dry immediately to avoid water spots.

**Stainless steel:** Wash stainless steel surfaces with a clean, soft cloth or sponge and a mild detergent in warm water. Rinse surfaces with clean, warm water and dry immediately to avoid water spots.

**NOTE:** When cleaning stainless steel, always wipe in the direction of the grain to avoid cross-grain scratching.

4. There is no need for routine condenser cleaning in normal home operating environments. If the environment is particularly greasy or dusty, or there is significant pet traffic in the home, the condenser should be cleaned every 2 to 3 months to ensure maximum efficiency.

If you need to clean the condenser:

- Remove the base grille.
- Use a vacuum cleaner with a soft brush to clean the grille, the open areas behind the grille and the front surface area of the condenser.
- Replace the base grille when finished.

5. Plug in refrigerator or reconnect power.

---

## Defrosting

The No Frost system defrosts the freezer and refrigerator compartments automatically. There is no need to defrost manually.

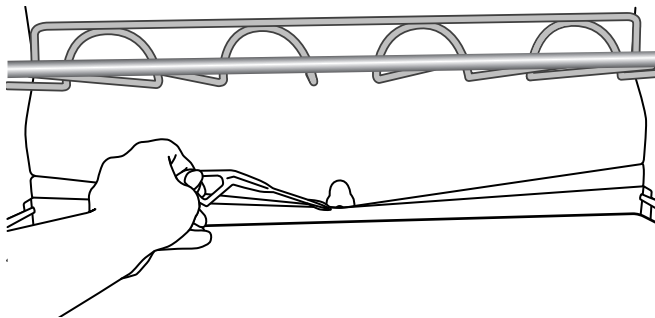
**IMPORTANT:** It is normal for drops of water to collect on the back wall of both compartments. Clean the drain opening regularly so that the defrosted water can flow away and evaporate.

---

### Cleaning the Drain

The drain opening is located on the bottom of the refrigerator compartment, near the fruit and vegetable crisper drawer.

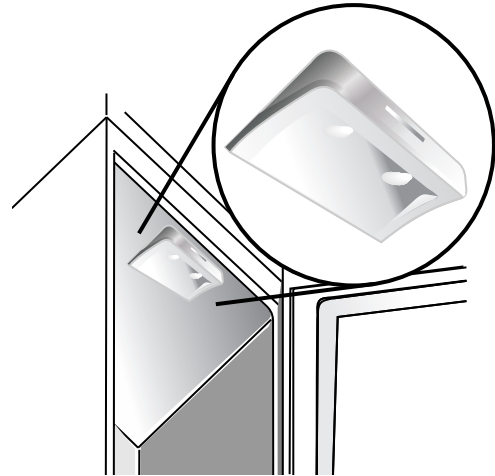
1. Unplug refrigerator or disconnect power.
2. Remove the cooler drawer (on some models) to access the drain opening.
3. Locate the cleaning tool (provided) inside the drain opening.
4. Move the cleaning tool up and down inside the opening to clear it of debris.



---

## Lights

The lights in the refrigerator are LED which do not need to be replaced. If the LED does not illuminate when the door is opened, call Service to replace the light. See either the front cover or the Warranty for contact information.



---

## Vacation and Moving

---

### Vacation

#### Short Vacation

There is no need to disconnect the refrigerator from the power supply if you will be away for less than 3 weeks. Use up or freeze perishable food.

**If your model has an automatic ice maker:**

- Turn off the ice maker.
- Shut off the water supply to the ice maker.
- Empty the ice bin.

#### Long Vacation

If you are going to be gone for 3 weeks or longer, remove all food and unplug the refrigerator.

To keep odor and mold from setting in, attach wooden or plastic wedges to the upper edge of both doors with adhesive tape. Open the doors enough so that air will circulate inside both compartments.

**If your model has an automatic ice maker:**

- Turn off the ice maker.
- Shut off the water supply to the ice maker.
- Empty the ice bin.

---

### Moving

1. Remove all door bins, drawers and shelves.
2. Wrap the parts and secure with adhesive tape.
3. Raise the adjustable feet so they are no longer touching the floor.
4. Close both doors and fasten with adhesive tape.
5. Tape the power cord to the refrigerator.

# TROUBLESHOOTING

Try the solutions suggested here first before calling for assistance.

## ⚠ WARNING



### Electrical Shock Hazard

- Plug into a grounded 3 prong outlet.
- Do not remove ground prong.
- Do not use an adapter.
- Do not use an extension cord.
- Failure to follow these instructions can result in death, fire, or electrical shock.

## ⚠ WARNING



### Explosion Hazard

- Use nonflammable cleaner.
- Failure to do so can result in death, explosion, or fire.

### If you experience

### Possible Causes and/or Recommended Solutions

#### The refrigerator will not operate

- **Not connected to an electrical supply** - Plug the power cord into a grounded 3-prong outlet. Do not use an extension cord.
  - **No power to the electrical outlet** - Plug in a lamp to see if the outlet is working.
  - **Household fuse blown or circuit breaker tripped** - Replace the fuse or reset the circuit breaker. If the problem continues, contact an electrician.
  - **New Installation** - Allow 24 hours following installation for the refrigerator to cool completely.
- NOTE:** Adjusting the temperature control(s) to coldest setting will not cool the refrigerator more quickly.

#### The motor seems to run too much

Your new refrigerator may run longer than your old one. Energy efficient refrigerators run longer at lower, more energy efficient speeds. Your refrigerator may run even longer if the room is warm, the temperature control is set too cold, a large load of food is added, the door is opened often, or if the door has been left open.

#### The refrigerator seems noisy

Functional noise can be reduced by leveling the refrigerator and ensuring it is located on an even floor.

#### The following operational noises are normal:

- **Hissing** - When refrigerator comes on the first time or after a long pause in operation.
- **Gurgling** - Refrigerant fluid entering the pipes.
- **Buzzing** - When the water valve opens or a fan comes on
- **Cracking** - When the compressor starts or for models with ice makers, when ice is ejected from the ice mold and drops into the ice storage bin.
- **Abrupt Clicks** - When the compressor switches on and off.

#### The doors do not open and close completely

- **The door is blocked open** - Move food packages away from door. Push bin or shelf back into the correct position. Make sure the crisper cover is fully pushed in, so that the back rests on the supports.
- **The refrigerator is not level** - Level the refrigerator.
- **Gaskets are dirty or sticky** - Clean gaskets and contact surfaces with mild soap and warm water. Rinse and dry with a soft cloth.

If you experience	Possible Causes and/or Recommended Solutions
The lights do not work	<ul style="list-style-type: none"> <li>■ <b>A light bulb is loose in the socket or has burned out</b> - See "Lights."</li> </ul>
Temperature is too warm	<ul style="list-style-type: none"> <li>■ <b>New installation</b> - Allow 24 hours following installation for the refrigerator to cool completely.</li> <li>■ <b>The doors are opened often or not closed completely</b> - Allows warm air to enter refrigerator. Minimize door openings and keep doors fully closed.</li> <li>■ <b>Large amount of warm food recently added</b> - Allow several hours for refrigerator to return to normal temperature.</li> <li>■ <b>Controls are not set correctly for surrounding conditions</b> - Adjust the controls a setting colder. Check temperature in 24 hours.</li> </ul>
Temperature is too cold in the refrigerator/crisper	<ul style="list-style-type: none"> <li>■ <b>Refrigerator air vent(s) are blocked</b> - If the air vent is blocked by items placed directly in front of it, the refrigerator will get too cold. Move items away from the air vent.</li> <li>■ <b>Controls are not set correctly for the surrounding conditions</b> - Adjust the controls a setting warmer. Check the temperature in 24 hours.</li> </ul>
<b>Interior moisture buildup</b> <b>IMPORTANT:</b> Drops of water on the back wall of both compartments is normal. Clean the drain opening regularly so defrost water will run into the drain pan.	<ul style="list-style-type: none"> <li>■ <b>The room is humid</b> - A humid environment contributes to moisture buildup.</li> <li>■ <b>The doors are opened often or not closed completely</b> - Allows humid air to enter refrigerator. Minimize door openings and close doors completely.</li> <li>■ <b>The airflow vents inside the compartment are blocked</b> - Move items away from the airflow vents.</li> <li>■ <b>Food packages are damp</b> - Package food properly and dry any dampness on storage containers before placing them in the refrigerator.</li> </ul>
There is water in the defrost pan	<ul style="list-style-type: none"> <li>■ <b>This is normal in hot, damp weather</b> - The pan can even be half full. Make sure the refrigerator is level so that the water does not overflow.</li> </ul>
Edges of refrigerator, which come into contact with the door seal, are warm to the touch	<ul style="list-style-type: none"> <li>■ <b>This is normal in hot weather</b> - The compressor is running longer.</li> </ul>

## Accessories

The following accessories are available for your refrigerator. To order an accessory, contact us and ask for the Part Number.

In the U.S.A., visit our webpage [www.whirlpool.com/accessories](http://www.whirlpool.com/accessories) or call **1-800-901-2042**.

In Canada, visit our webpage [www.whirlpoolparts.ca](http://www.whirlpoolparts.ca) or call **1-800-807-6777**.

### **affresh® Stainless Steel Cleaner:**

In U.S.A., order Part #W10355016

In Canada, order Part #W10355016B

### **affresh® Stainless Steel Wipes:**

In U.S.A., order Part #W10355049

In Canada, order Part #W10355049B

### **affresh® Kitchen & Appliance Cleaner:**

In U.S.A., order Part #W10355010

In Canada, order Part #W10355010B

---

# WHIRLPOOL CORPORATION MAJOR APPLIANCE WARRANTY

---

## LIMITED WARRANTY

For one year from the date of purchase, when this major appliance is operated and maintained according to instructions attached to or furnished with the product, Whirlpool Corporation or Whirlpool Canada LP (hereafter "Whirlpool") will pay for Factory Specified Parts and repair labor to correct defects in materials or workmanship that existed when this major appliance was purchased. Service must be provided by a Whirlpool designated service company. YOUR SOLE AND EXCLUSIVE REMEDY UNDER THIS LIMITED WARRANTY SHALL BE PRODUCT REPAIR AS PROVIDED HEREIN. This limited warranty is valid only in the United States or Canada and applies only when the major appliance is used in the country in which it was purchased. Proof of original purchase date is required to obtain service under this limited warranty.

---

## ITEMS EXCLUDED FROM WARRANTY

### This limited warranty does not cover:

1. Replacement parts or repair labor if this major appliance is used for other than normal, single-family household use or when it is used in a manner that is inconsistent to published user or operator instructions and/or installation instructions.
  2. Service calls to correct the installation of your major appliance, to instruct you on how to use your major appliance, to replace or repair house fuses, or to correct house wiring or plumbing.
  3. Service calls to repair or replace appliance light bulbs, air filters or water filters. Consumable parts are excluded from warranty coverage.
  4. Damage resulting from accident, alteration, misuse, abuse, fire, flood, acts of God, improper installation, installation not in accordance with electrical or plumbing codes, or use of products not approved by Whirlpool.
  5. Cosmetic damage, including scratches, dents, chips or other damage to the finish of your major appliance, unless such damage results from defects in materials or workmanship and is reported to Whirlpool within 30 days from the date of purchase.
  6. Any food or medicine loss due to refrigerator or freezer product failures.
  7. Pickup and delivery. This major appliance is intended to be repaired in your home.
  8. Repairs to parts or systems resulting from unauthorized modifications made to the appliance.
  9. Expenses for travel and transportation for product service if your major appliance is located in a remote area where service by an authorized Whirlpool servicer is not available.
  10. The removal and reinstallation of your major appliance if it is installed in an inaccessible location or is not installed in accordance with Whirlpool's published installation instructions.
  11. Replacement parts or repair labor on major appliances with original model/serial numbers that have been removed, altered or cannot be easily determined.
  12. Discoloration, rust, or oxidation of stainless steel surfaces.
- 

## DISCLAIMER OF IMPLIED WARRANTIES

IMPLIED WARRANTIES, INCLUDING ANY IMPLIED WARRANTY OF MERCHANTABILITY OR IMPLIED WARRANTY OF FITNESS FOR A PARTICULAR PURPOSE, ARE LIMITED TO ONE YEAR OR THE SHORTEST PERIOD ALLOWED BY LAW. Some states and provinces do not allow limitations on the duration of implied warranties of merchantability or fitness, so this limitation may not apply to you. This warranty gives you specific legal rights, and you also may have other rights that vary from state to state or province to province.

---

## LIMITATION OF REMEDIES; EXCLUSION OF INCIDENTAL AND CONSEQUENTIAL DAMAGES

YOUR SOLE AND EXCLUSIVE REMEDY UNDER THIS LIMITED WARRANTY SHALL BE PRODUCT REPAIR AS PROVIDED HEREIN. WHIRLPOOL SHALL NOT BE LIABLE FOR INCIDENTAL OR CONSEQUENTIAL DAMAGES. Some states and provinces do not allow the exclusion or limitation of incidental or consequential damages, so these limitations and exclusions may not apply to you. This warranty gives you specific legal rights, and you also may have other rights that vary from state to state or province to province.

---

If outside the 50 United States and Canada, contact your authorized Whirlpool dealer to determine if another warranty applies.

6/08

For additional product information, in the U.S.A., visit [www.whirlpool.com](http://www.whirlpool.com).

In Canada, visit [www.whirlpool.ca](http://www.whirlpool.ca).

If you do not have access to the Internet and you need assistance using your product or you would like to schedule service, you may contact Whirlpool at the number below.

*Have your complete model number ready. You can find your model number and serial number on the label, located on the inside wall of the refrigerator compartment.*

For assistance or service in the U.S.A., call 1-800-253-1301. In Canada, call 1-800-807-6777.

If you need further assistance, you can write to Whirlpool with any questions or concerns at the address below:

In the U.S.A.:

Whirlpool Brand Home Appliances  
Customer eXperience Center  
553 Benson Road  
Benton Harbor, MI 49022-2692

In Canada:

Whirlpool Brand Home Appliances  
Customer eXperience Centre  
200 – 6750 Century Ave.  
Mississauga, Ontario L5N 0B7

Please include a daytime phone number in your correspondence.

Please keep all provided instructions and your model number information for future reference.

---

## Notes



# SÉCURITÉ DU RÉFRIGÉRATEUR

## Votre sécurité et celle des autres est très importante.

Nous donnons de nombreux messages de sécurité importants dans ce manuel et sur votre appareil ménager. Assurez-vous de toujours lire tous les messages de sécurité et de vous y conformer.



Voici le symbole d'alerte de sécurité.

Ce symbole d'alerte de sécurité vous signale les dangers potentiels de décès et de blessures graves à vous et à d'autres.

Tous les messages de sécurité suivront le symbole d'alerte de sécurité et le mot "DANGER" ou "AVERTISSEMENT". Ces mots signifient :

**! DANGER**

Risque possible de décès ou de blessure grave si vous ne suivez pas immédiatement les instructions.

**! AVERTISSEMENT**

Risque possible de décès ou de blessure grave si vous ne suivez pas les instructions.

Tous les messages de sécurité vous diront quel est le danger potentiel et vous disent comment réduire le risque de blessure et ce qui peut se produire en cas de non-respect des instructions.

## IMPORTANTES INSTRUCTIONS DE SÉCURITÉ

**AVERTISSEMENT :** Pour réduire les risques d'incendie, de choc électrique ou des blessures lors de l'utilisation du réfrigérateur, prendre quelques précautions fondamentales, y compris les suivantes :

- Brancher l'appareil sur une prise à 3 alvéoles reliée à la terre.
- Ne pas enlever la broche de liaison à la terre.
- Ne pas utiliser un adaptateur.
- Ne pas utiliser un câble de rallonge.
- Débrancher la source de courant électrique avant l'entretien.
- Replacer pièces et panneaux avant de faire la remise en marche.
- Enlever les portes de votre vieux réfrigérateur.
- Utiliser un produit de nettoyage ininflammable.
- Garder les matériaux et les vapeurs inflammables, telle que l'essence, loin du réfrigérateur.
- Utiliser deux ou plus de personnes pour déplacer et installer le réfrigérateur.
- Déconnecter la source de courant électrique avant de nettoyer le cache-ventilateur (sur certains modèles).
- Débrancher le réfrigérateur avant l'installation de la machine à glaçons (seulement pour modèles prêts à recevoir une machine à glaçons).
- Utiliser un verre robuste pour prendre des glaçons (sur certains modèles).
- Ne pas heurter les portes en verre du réfrigérateur (sur certains modèles).
- Si le cordon d'alimentation est endommagé, il doit être remplacé par le fabricant, son agent de service ou toute autre personne également qualifiée afin d'éviter tout danger.

**CONSERVEZ CES INSTRUCTIONS**

## Mise au rebut adéquate de votre vieux réfrigérateur

### **⚠ AVERTISSEMENT**

#### Risque de suffoquer

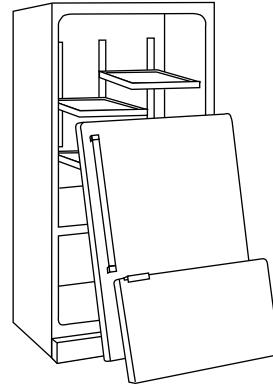
Enlever les portes de votre vieux réfrigérateur.

Le non-respect de cette instruction peut causer un décès ou des lésions cérébrales.

**IMPORTANT :** L'emprisonnement et l'étouffement des enfants ne sont pas un problème du passé. Les réfrigérateurs jetés ou abandonnés sont encore dangereux, même s'ils sont laissés abandonnés pendant "quelques jours seulement". Si vous vous débarrassez de votre vieux réfrigérateur, veuillez suivre les instructions suivantes pour aider à éviter les accidents.

## Avant de jeter votre vieux réfrigérateur ou congélateur :

- Enlever les portes.
- Laisser les tablettes en place de sorte que les enfants ne puissent pas y pénétrer facilement.



### Renseignements importants à propos de la mise au rebut des fluides réfrigérants :

Mettre le réfrigérateur au rebut conformément à la réglementation fédérale et locale. Les fluides réfrigérants doivent être évacués par un technicien certifié et agréé par l'EPA conformément aux procédures établies.

# INSTRUCTIONS D'INSTALLATION

## Déballage du réfrigérateur

### **⚠ AVERTISSEMENT**

#### Risque du poids excessif

Utiliser deux ou plus de personnes pour déplacer et installer le réfrigérateur.

Le non-respect de cette instruction peut causer une blessure au dos ou d'autre blessure.

## Avant utilisation

### Déplacement de votre réfrigérateur :

Votre réfrigérateur est lourd. Lors du déplacement de votre réfrigérateur pour le nettoyage ou un entretien ou réparation, veiller à recouvrir le plancher avec du carton ou un panneau de fibres dures pour éviter qu'il ne subisse tout dommage. Toujours tirer le réfrigérateur tout droit lors de son déplacement. Ne pas incliner le réfrigérateur d'un côté ou de l'autre ni le "faire marcher" en essayant de le déplacer car le plancher pourrait être endommagé.

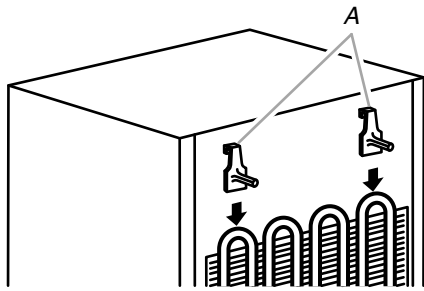
### Retrait des matériaux d'emballage

- Enlever tout résidu de ruban adhésif et de colle des surfaces du réfrigérateur avant de le mettre en marche. Frotter une petite quantité de savon liquide à vaisselle sur l'adhésif avec les doigts. Rincer à l'eau tiède et sécher.
- Ne pas utiliser d'instruments coupants, d'alcool à friction, de liquides inflammables ou de nettoyeurs abrasifs pour enlever le ruban adhésif ou la colle. Ces produits peuvent endommager la surface du réfrigérateur. Pour plus de renseignements, voir "Sécurité du réfrigérateur".
- Éliminer/recycler tous les matériaux d'emballage.

### IMPORTANT :

- Afin de tirer le meilleur parti de votre réfrigérateur, lire les instructions - elles contiennent une description du réfrigérateur et d'autres conseils utiles.
- Toute intervention sur le réfrigérateur doit être effectuée par un technicien qualifié.
- Attendre au moins 2 heures avant de raccorder le réfrigérateur à une source d'alimentation électrique afin de s'assurer que le circuit réfrigérant est parfaitement opérationnel.
- Tenir le cordon d'alimentation à l'écart durant l'installation pour éviter tout dommage.
- Le réfrigérateur doit être d'aplomb et ne doit pas être incliné vers l'arrière.

- Installer les cales (si fournies) sur la partie supérieure du condensateur situé à l'arrière du réfrigérateur tel qu'illustré.



A. Calés d'espacement

### Nettoyage avant utilisation

Après avoir enlevé tous les matériaux d'emballage, nettoyer l'intérieur du réfrigérateur avant de l'utiliser. Voir les instructions de nettoyage dans "Entretien du réfrigérateur".

### Importants renseignements à savoir au sujet des tablettes et des couvercles en verre :

Ne pas nettoyer les tablettes ou couvercles en verre avec de l'eau tiède quand ils sont froids. Les tablettes et les couvercles peuvent se briser s'ils sont exposés à des changements soudains de température ou à un impact tel que coup brusque. Le verre trempé est conçu pour éclater en d'innombrables pièces minuscules. Ceci est normal. Les tablettes et les couvercles en verre sont lourds. Les saisir à deux mains lors de leur dépose afin d'éviter de les faire tomber.

### Exigences d'emplacement

#### ⚠ AVERTISSEMENT



#### Risque d'explosion

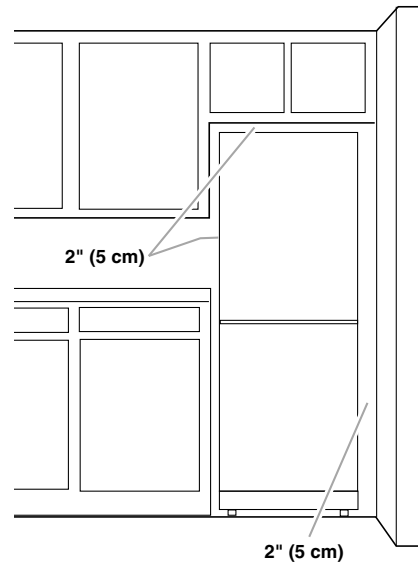
Garder les matériaux et les vapeurs inflammables, telle que l'essence, loin du réfrigérateur.

Le non-respect de cette instruction peut causer un décès, une explosion ou un incendie.

**IMPORTANT :** Ce réfrigérateur est conçu pour un usage domestique, à l'intérieur uniquement.

Pour assurer une ventilation convenable à votre réfrigérateur, laisser un espace de 2" (5 cm) between the top of the refrigerator and overhead cabinets and between the back of the refrigerator and the wall. Si votre réfrigérateur comporte une machine à glaçons, s'assurer qu'un espace additionnel est prévu à l'arrière pour permettre les connexions des conduites d'eau. En cas d'installation du réfrigérateur près d'un mur fixe, laisser un minimum de 2" (5 cm) entre le réfrigérateur et le mur pour permettre l'ouverture de la porte.

**REMARQUE :** Laisser les ouvertures d'aération du réfrigérateur libres de toute obstruction.



**REMARQUE :** Ce réfrigérateur est conçu pour être utilisé dans un endroit où la température est comprise entre un minimum de 50°F (10°C) et un maximum de 110°F (43°C). La plage de température ambiante idéale pour une performance optimale est comprise entre 61°F (16°C) et 110°F (43°C). Il est recommandé de ne pas installer le réfrigérateur près d'une quelconque source de chaleur, tel un four ou un radiateur.

### Spécifications électriques

#### ⚠ AVERTISSEMENT



#### Risque de choc électrique

Brancher sur une prise à 3 alvéoles reliée à la terre.

Ne pas enlever la broche de liaison à la terre.

Ne pas utiliser un adaptateur.

Ne pas utiliser un câble de rallonge.

Le non-respect de ces instructions peut causer un décès, un incendie ou un choc électrique.

Avant de placer le réfrigérateur à son emplacement final, il est important de vous assurer d'avoir la connexion électrique appropriée.

#### Méthode recommandée de mise à la terre

Une source d'alimentation de 115 volts, 60 Hz, type 15 ou 20 ampères CA seulement, protégée par fusibles et adéquatement mise à la terre est nécessaire. Il est recommandé d'utiliser un circuit distinct pour alimenter uniquement votre réfrigérateur. Utiliser une prise murale qui ne peut pas être mise hors circuit à l'aide d'un commutateur. Ne pas utiliser de câble de rallonge.

**REMARQUE :** Avant d'exécuter tout type d'installation, nettoyage ou remplacement d'une ampoule d'éclairage, désactiver le refroidissement, et déconnecter ensuite le réfrigérateur de la source d'alimentation électrique. Lorsque l'on a terminé, reconnecter le réfrigérateur à la source d'alimentation électrique.

## Inversion du sens de l'ouverture de la porte (facultatif)

Si l'on souhaite inverser le sens d'ouverture de la porte de façon à pouvoir ouvrir la porte du congélateur et du réfrigérateur dans le sens inverse, voir les instructions suivantes.

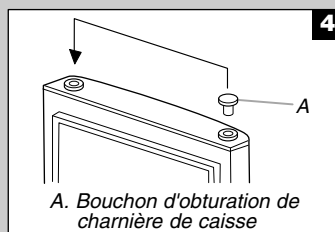
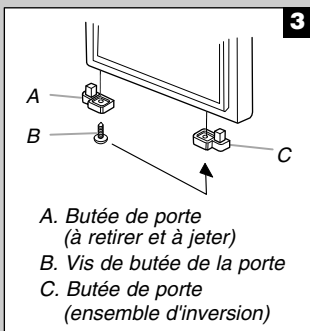
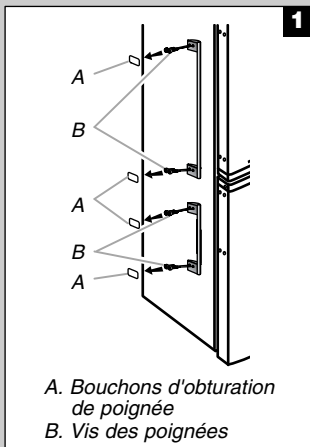
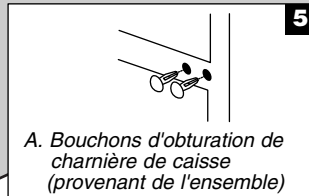
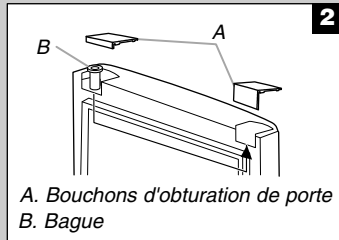
**IMPORTANT :** Avant de commencer, débrancher le réfrigérateur ou déconnecter la source de courant électrique et retirer les aliments et les balconnets des portes.

Rassembler les outils nécessaires et lire toutes les instructions avant de retirer les portes.

**Pièces fournies :** Repérer l'ensemble d'inversion (fourni) dans le bac à légumes. L'ensemble contient 2 butées de porte, 3 bouchons d'obturation de la caisse et 8 bouchons d'obturation de poignée.

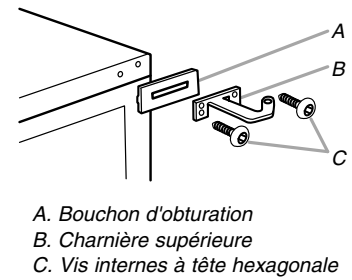
**Outils nécessaires :** Clé à tête hexagonale de 3/16", tournevis Phillips n°2 et tournevis à lame plate.

### Inversion du sens d'ouverture des portes (facultatif)

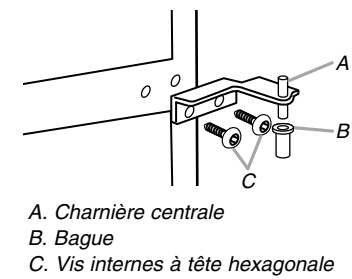


### Charnières

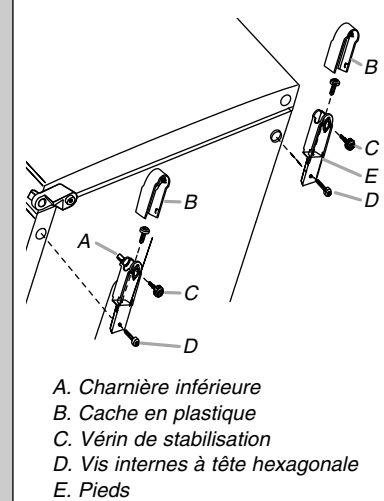
#### Charnière supérieure



#### Charnière centrale

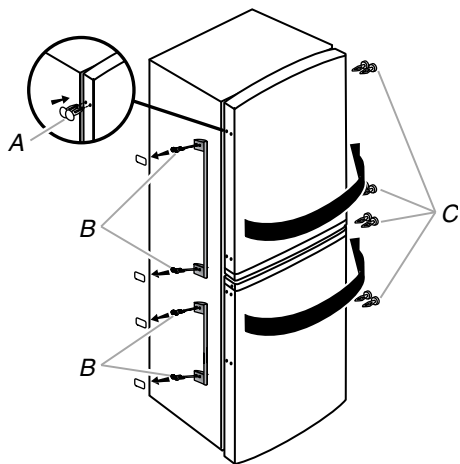


#### Charnière inférieure



## Inversion des poignées

1. Débrancher le réfrigérateur ou déconnecter la source de courant électrique.
2. À l'aide d'un tournevis, retirer les bouchons d'obturation puis les poignées du côté gauche de la porte et retirer les bouchons d'obturation du côté droit.
3. Insérer les bouchons d'obturation (provenant de l'ensemble d'inversion) dans les trous restés libres après la dépose des poignées.
4. Insérer les poignées de porte avec leurs bouchons d'obturation de l'autre côté de la porte.



A. Nouveaux bouchons d'obturation (provenant de l'ensemble d'inversion)  
B. Vis de poignée  
C. Bouchons d'obturation (à retirer et jeter)

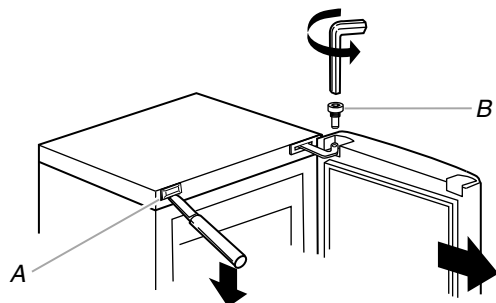
## Dépose des portes

### REMARQUES :

- Laisser les portes fermées jusqu'à ce vous soyez prêt à les soulever de la caisse.
- Prévoir un support supplémentaire pour les portes pendant que l'on retire les charnières. La force d'attraction des aimants du joint des portes ne suffit pas à les maintenir en place.

### Porte du réfrigérateur

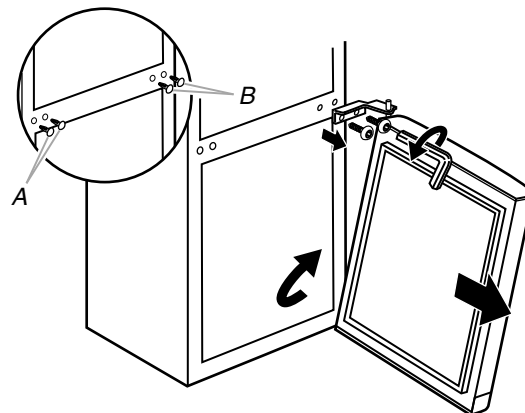
1. À l'aide d'une clé à tête hexagonale, retirer la vis fixant la porte du réfrigérateur à la charnière supérieure. Soulever la porte du réfrigérateur de la charnière centrale.
2. À l'aide d'un outil à lame plate, enlever le bouchon d'obturation de la caisse. Le mettre de côté.



A. Bouchon d'obturation de la caisse  
B. Vis de la charnière supérieure

## Porte du congélateur

1. À l'aide d'une clé à tête hexagonale, retirer la charnière centrale. Voir l'illustration de la charnière centrale.
2. Soulever la porte du congélateur de la charnière inférieure.
3. Retirer et jeter les deux bouchons d'obturation de trous de la charnière centrale sur le côté gauche de la caisse.
4. Insérer les deux bouchons d'obturation de la caisse de l'ensemble d'inversion dans les trous restés libres une fois la charnière centrale retirée.

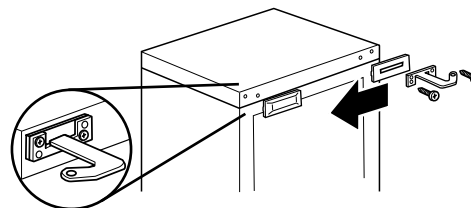


A. Bouchons d'obturation (à retirer et jeter)  
B. Bouchons d'obturation (de l'ensemble d'inversion)

## Inversion des charnières

### Caisse

1. Avec une clé à tête hexagonale, retirer la charnière supérieure et le bouchon d'obturation sur le côté droit de la caisse. Voir l'illustration de la charnière supérieure.
2. Déplacer la bague de l'autre côté de la caisse. Voir l'illustration 2.
3. Retourner la charnière de sorte qu'elle soit orientée dans la direction opposée et l'installer du côté gauche de la caisse.
4. Insérer le bouchon d'obturation rectangulaire de la caisse (retiré précédemment) dans les trous restés libres une fois la charnière supérieure retirée.



5. À l'aide d'au moins deux personnes, appuyer contre la partie supérieure avant du réfrigérateur pour l'incliner légèrement vers l'arrière.
6. Retirer la protection en plastique et le pied situés sous la caisse de l'appareil, du côté gauche. Dévisser le vérin de stabilisation et retirer les vis des pieds avant et arrière à l'aide d'une clé à tête hexagonale.

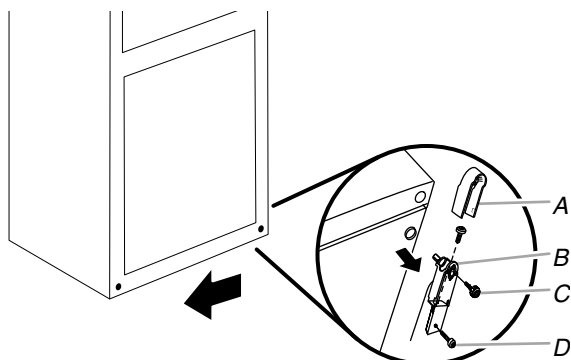
**REMARQUE :** Un outil à rebord plat sera peut-être nécessaire pour dégager la protection en plastique du pied.

7. Retirer la protection en plastique et la charnière situées sous la caisse de l'appareil, du côté droit. Dévisser le vérin de stabilisation et retirer les vis de charnière avant et inférieures à l'aide d'une clé à tête hexagonale.

**REMARQUE :** Un outil à rebord plat sera peut-être nécessaire pour dégager la protection en plastique de la charnière.

8. Placer la charnière inférieure et le pied de l'autre côté de la caisse.

- À l'aide de la clé à tête hexagonale, placer les vis à tête hexagonale dans les trous de la charnière inférieure et fixer la charnière à la caisse. Réinstaller la protection en plastique et le vérin de stabilisation. Voir l'illustration de la charnière inférieure.
- À l'aide de la clé à tête hexagonale, placer les vis à tête hexagonale dans les trous destinés aux pieds et fixer le pied à la caisse. Réinstaller la protection en plastique et le vérin de stabilisation.

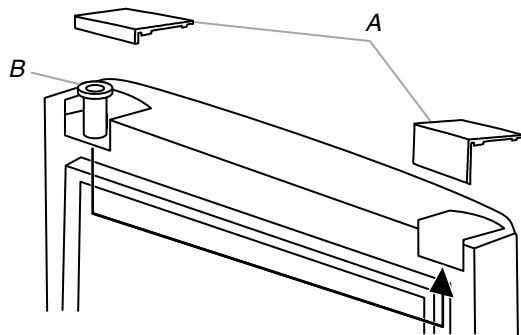


A. Cache en plastic  
B. Charnière inférieure  
C. Vérin de stabilisation  
D. Vis de charnière

## Portes

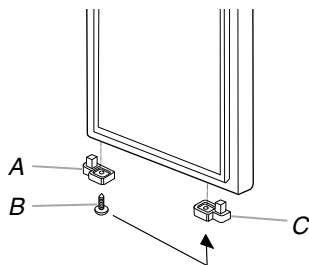
### Porte du réfrigérateur

- Transférer le bouchon d'obturation du sommet de la porte du réfrigérateur sur le côté opposé. Voir l'illustration 2.



A. Bouchon d'obturation de charnière de la caisse  
B. Bague

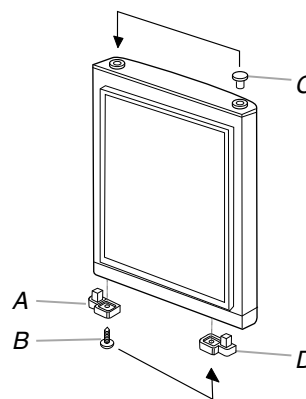
- À l'aide d'un tournevis Phillips, retirer et jeter la butée de porte située au bas de la porte du réfrigérateur. Mettre de côté la vis de la butée de la porte.
- Insérer une butée de porte de l'ensemble d'inversion dans les trous du côté inférieur gauche de la porte du réfrigérateur. Fixer à l'aide de la vis retirée à l'étape 2. Voir l'illustration 3.



A. Butée de porte (à retirer et jeter)  
B. Vis de butée de porte  
C. Butée du porte (ensemble d'inversion)

### Porte du congélateur

- Transférer le bouchon d'obturation du sommet de la porte du congélateur sur le côté opposé. Voir l'illustration 4.
- À l'aide d'un tournevis Phillips, retirer et jeter la butée de porte située au bas de la porte du congélateur. Mettre de côté la vis de la butée de la porte.
- Insérer une butée de porte de l'ensemble d'inversion dans les trous du côté inférieur gauche de la porte du congélateur. Fixer à l'aide de la vis retirée à l'étape 2. Voir l'illustration 3.

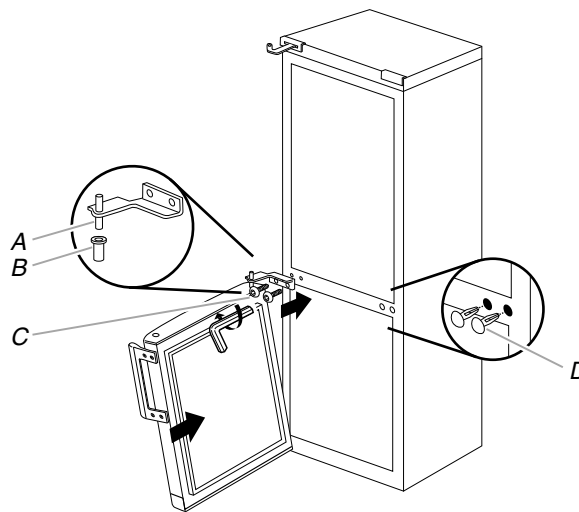


A. Butée de porte (à retirer et jeter)  
B. Vis de butée de porte  
C. Bouchon d'obturation  
D. Butée du porte (ensemble d'inversion)

## Réinstallation des portes

### Porte du congélateur

- Placer la porte du congélateur sur l'axe de la charnière inférieure.
- Placer la bague du sommet de l'axe de la charnière centrale sur le bas de l'axe de la charnière centrale. Insérer l'axe de charnière dans le sommet de la porte du congélateur.
- À l'aide de la clé à tête hexagonale et des les deux vis internes à tête hexagonale (retirées précédemment), installer la charnière centrale sur le côté gauche de la caisse.
- Insérer les deux bouchons d'obturation de la caisse de l'ensemble d'inversion dans les trous restés libres une fois la charnière centrale retirée. Voir l'illustration 5.

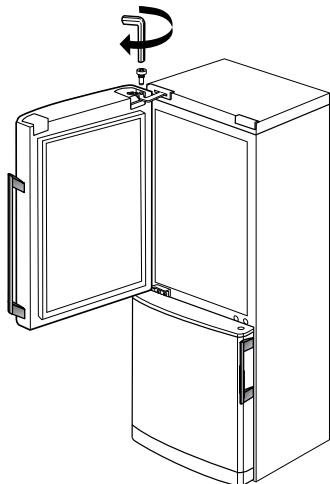


A. Axe de charnière centrale  
B. Bague  
C. Vis internes à tête hexagonale  
D. Bouchons d'obturation (ensemble d'inversion)

### Porte du réfrigérateur

- Placer la porte du réfrigérateur sur l'axe de la charnière centrale.

- À l'aide de la clé à tête hexagonale et de la vis interne à tête hexagonale (retirée précédemment), fixer la charnière supérieure au sommet de la porte du réfrigérateur.



- Réinstaller le bouchon d'obturation de charnière sur le côté opposé de la porte du réfrigérateur.

### Étapes finales

- Inspecter tous les trous pour s'assurer que les bouchons d'obturation et les vis sont bien en place et parfaitement serrés.

## ⚠ AVERTISSEMENT



### Risque de choc électrique

**Brancher sur une prise à 3 alvéoles reliée à la terre.**

**Ne pas enlever la broche de liaison à la terre.**

**Ne pas utiliser un adaptateur.**

**Ne pas utiliser un câble de rallonge.**

**Le non-respect de ces instructions peut causer un décès, un incendie ou un choc électrique.**

- Brancher sur une prise de courant à 3 alvéoles reliée à la terre.
- Réinstaller l'ensemble des pièces de porte amovibles sur la porte et remettre les aliments dans le réfrigérateur.

# UTILISATION DU RÉFRIGÉRATEUR

## Utilisation des commandes

Le tableau de commande se trouve dans la partie supérieure avant du compartiment de réfrigération.

### IMPORTANT :

- Une fois que l'on a branché le réfrigérateur, il commence automatiquement à refroidir.
- Les DEL du tableau de commande s'allument pendant environ 1 seconde, et le point de réglage de température s'affiche une fois le processus d'initialisation terminé.

- Le réglage de température recommandé doit être adapté à une utilisation domestique normale du réfrigérateur. Les réglages sont faits correctement lorsque le lait ou le jus sont aussi froids que désiré et lorsque la crème glacée est ferme.
- Attendre au moins 24 heures que le réfrigérateur refroidisse complètement avant d'y placer des aliments. Si on ajoute des aliments avant que le réfrigérateur ne soit complètement refroidi, les aliments risquent de s'abîmer.

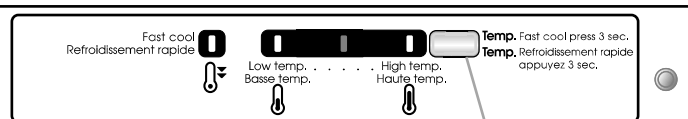
**REMARQUE :** Le fait d'ajuster les commandes de température du réfrigérateur et du congélateur à un réglage plus froid que le réglage recommandé ne refroidira pas les compartiments plus rapidement.

- Si la température est trop tiède ou trop froide dans le réfrigérateur ou le congélateur, vérifier d'abord les événements pour s'assurer qu'ils ne sont pas bloqués, avant de régler les commandes.

### Commandes de température

Pour votre commodité, la commande de température est pré-réglée à l'usine. Lors de l'installation initiale du réfrigérateur, s'assurer que les commandes sont encore pré-réglées au point de réglage recommandé tel qu'illustré.

#### Réglage recommandé "Intermédiaire"



A

A. Bouton de contrôle de température

### Sélection de la température

Pour ajuster la température dans le compartiment de réfrigération ou de congélation, utiliser les réglages de température indiqués dans le tableau ci-dessous comme guide.

Appuyer sur le bouton de contrôle de la température pour alterner entre les différents choix de température - entre High (élevée [réglage le moins froid]), Middle (intermédiaire [réglage plus froid]) et Low (faible [réglage le plus froid]).

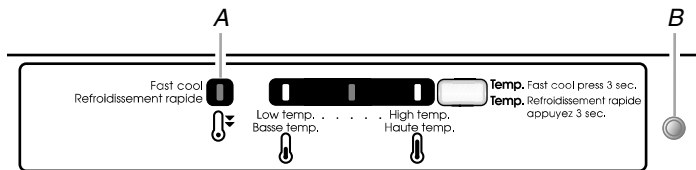
**REMARQUE :** Ne pas ajuster les commandes de plus d'un cran à la fois. Attendre 24 heures entre chaque réglage pour que la température puisse se stabiliser.

AFFICHAGE	TEMPÉRATURE
	Élevé
	Moyen à élevé (éconergique)
	Intermédiaire (recommandé)
	Moyen à faible
	Bas

## Fast Cool (refroidissement rapide)

La caractéristique Fast Cool (refroidissement rapide) augmente la vitesse de refroidissement si l'on ajoute une grande quantité d'aliments dans le réfrigérateur ou que l'on souhaite placer des aliments frais dans le congélateur pour les surgeler.

- Appuyer de nouveau sur ce bouton pendant 3 secondes jusqu'à ce que Fast Cool (la DEL jaune) s'allume.
- La caractéristique Fast Cool (refroidissement rapide) reste activée pendant 6 heures à moins d'être désactivée manuellement.
- Pour désactiver Fast Cool manuellement, appuyer de nouveau sur le bouton de commande pendant 3 secondes jusqu'à ce que la DEL jaune s'éteigne.



A. DEL Fast Cool  
B. Commutateur de lampe interne

## Alarmes de défaillance

Durant les 10 minutes qui suivent le branchement du réfrigérateur, toute défaillance de température détectée par les capteurs s'affiche tel qu'indiqué dans le tableau suivant. Bien que le réfrigérateur continue de refroidir, il est impératif d'appeler un service de dépannage et de leur communiquer le code d'alarme indiqué. Voir la page de couverture ou la garantie pour savoir qui contacter.

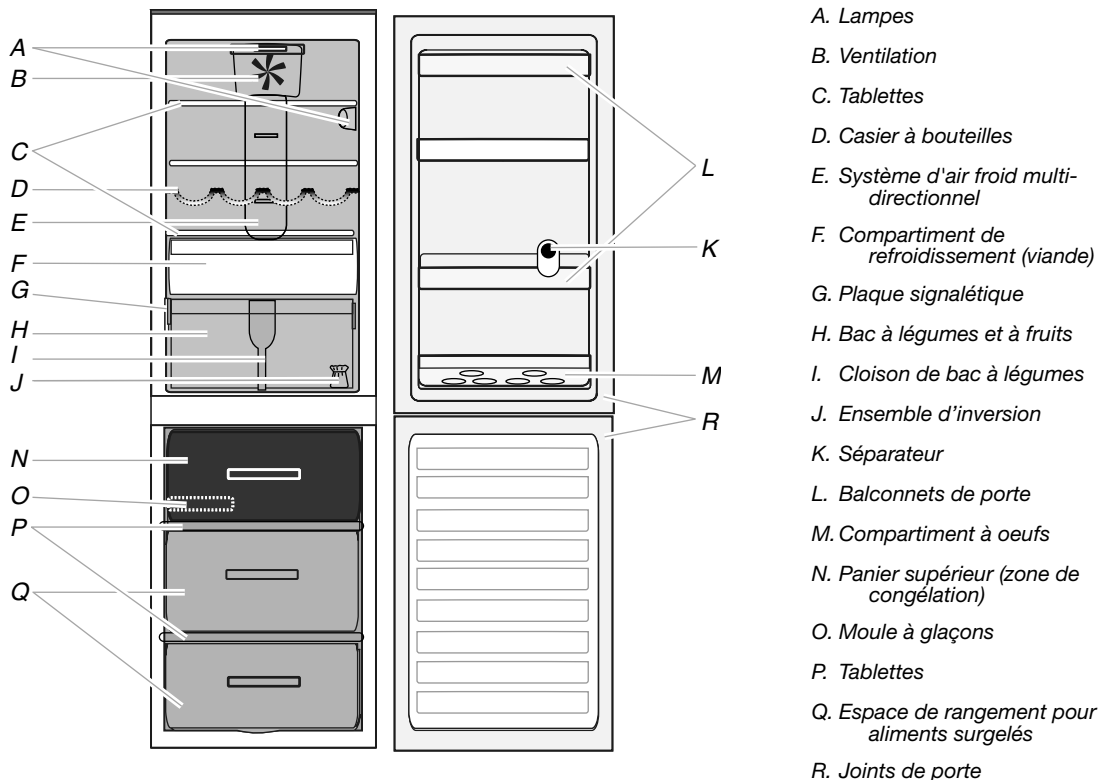
### Codes d'alarme de défaillance

	Évaporateur
	Réfrigérateur
	Réfrigérateur et évaporateur
	Connexions du dispositif de chauffage

**Legend**  
 Led OFF Led Flashing

# CARACTÉRISTIQUES DU RÉFRIGÉRATEUR

Selon le modèle, le nombre et le type de caractéristiques peuvent varier.





## Tablettes du réfrigérateur

Les tablettes et balconnets du réfrigérateur sont amovibles et réglables afin de s'adapter aux besoins de rangement de l'utilisateur.

### REMARQUES :

- Afin de pouvoir trouver plus facilement l'article que l'on cherche, on peut remiser ensemble des aliments semblables dans le réfrigérateur et régler les tablettes pour les adapter aux différentes tailles d'articles. Ceci réduira également la durée d'ouverture de la porte du réfrigérateur et permettra d'économiser de l'énergie.
- Les parties internes du réfrigérateur ne sont pas lavables au lave-vaisselle.

### Tablettes en verre

#### Importants renseignements à savoir au sujet des tablettes et des couvercles en verre :

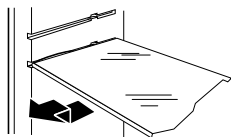
Ne pas nettoyer les tablettes ou couvercles en verre avec de l'eau tiède quand ils sont froids. Les tablettes et les couvercles peuvent se briser s'ils sont exposés à des changements soudains de température ou à un impact tel que coup brusque. Le verre trempé est conçu pour éclater en d'innombrables pièces minuscules. Ceci est normal. Les tablettes et les couvercles en verre sont lourds. Les saisir à deux mains lors de leur dépose afin d'éviter de les faire tomber.

#### Pour retirer une tablette :

1. Retirer les articles de la tablette.
2. Retirer la tablette en la faisant glisser tout droit jusqu'à la butée.
3. Selon votre modèle, soulever l'arrière ou l'avant de la tablette et en la retirant au-delà de la butée. Retirer complètement la tablette.

#### Pour réinstaller une tablette :

1. Réinstaller la tablette en la faisant glisser dans la rainure de la paroi de la caisse.
2. Guider l'avant de la tablette dans la rainure de tablette. Veiller à insérer complètement la tablette.



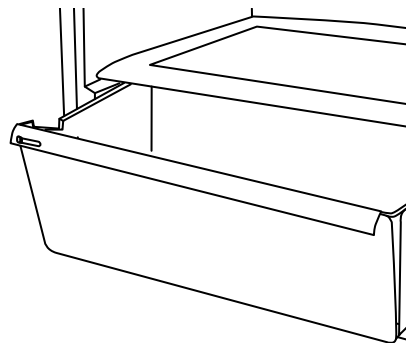
## Compartiment de refroidissement

(sur certains modèles)

Le compartiment de refroidissement est l'endroit idéal pour entreposer de la viande, de la volaille et du poisson.

### Retrait et réinstallation du tiroir :

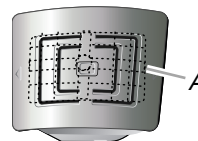
1. Faire glisser le tiroir directement vers l'extérieur jusqu'à la butée. Soulever le tiroir pour le dégager des glissières et le retirer complètement.
2. Réinstaller le tiroir en le replaçant sur les glissières et en le repoussant au-delà de la butée pour le réinsérer complètement.



## Ventilation

Le ventilateur améliore la répartition du froid à l'intérieur du compartiment de réfrigération et permet ainsi une meilleure conservation des produits entreposés. Le ventilateur est activé par défaut.

**REMARQUE :** Ne pas obstruer la zone de prise d'air.



A. Cache-ventilateur

## Compartiment de congélation

Pour augmenter la taille de l'espace de rangement pour les articles de grande taille, on peut utiliser le compartiment de congélation sans les paniers. Retirer les paniers et placer les articles directement sur les tablettes.

# ENTRETIEN DU RÉFRIGÉRATEUR

## Nettoyage

### **AVERTISSEMENT**



#### Risque d'explosion

Utiliser un produit de nettoyage ininflammable.

Le non-respect de cette instruction peut causer un décès, une explosion ou un incendie.

Nettoyer le réfrigérateur et le congélateur environ une fois par mois pour empêcher l'accumulation d'odeurs. Essuyer les renversements immédiatement.

#### IMPORTANT :

- Comme l'air circule entre les deux sections, toutes les odeurs formées dans une section seront transférées à l'autre. Les deux sections doivent être nettoyées avec soin pour éliminer les odeurs. Pour éviter le transfert d'odeurs et l'assèchement des aliments, envelopper ou recouvrir hermétiquement les aliments.
- Pour les modèles en acier inoxydable, l'acier inoxydable est résistant à la corrosion et non anti-corrosion. Afin d'éviter l'oxydation de l'acier inoxydable, veiller à ce que les surfaces restent propres en suivant les instructions de nettoyage suivantes.

#### Nettoyage du réfrigérateur

**REMARQUE :** Ne pas utiliser de nettoyeurs puissants ou abrasifs tels que les nettoyeurs à vitre en atomiseurs, nettoyeurs à récurer, liquides inflammables, acide chlorhydrique, cires nettoyantes, détergents concentrés, agents de blanchiment ou nettoyeurs contenant du pétrole sur les surfaces extérieures (portes et caisse de l'appareil), pièces en plastique, les garnitures intérieures et garnitures de portes ou les joints de portes. Ne pas utiliser d'essuie-tout, tampons à récurer ou autres outils de nettoyage abrasifs.

1. Débrancher le réfrigérateur ou déconnecter la source de courant électrique.
2. Laver à la main, rincer et sécher les pièces amovibles et les surfaces internes soigneusement. Utiliser une éponge propre ou un linge doux et un détergent doux dans de l'eau tiède.

3. Nettoyer les surfaces extérieures.

**Métal peint :** Laver les parties métalliques extérieures peintes dans de l'eau tiède avec une éponge ou un chiffon doux et propre et un détergent doux. Rincer les surfaces avec une eau propre et tiède et sécher immédiatement afin d'éviter d'éventuelles taches laissées par l'eau.

**Acier inoxydable :** Laver les surfaces en acier inoxydable dans de l'eau tiède avec une éponge ou un chiffon doux et propre et un détergent doux. Rincer les surfaces avec une eau propre et tiède et sécher immédiatement afin d'éviter d'éventuelles taches laissées par l'eau.

**REMARQUE :** Lors du nettoyage de l'acier inoxydable, toujours frotter dans le sens du grain afin d'éviter d'érafler la surface.

4. Le condensateur n'a pas besoin d'être nettoyé souvent dans des conditions de fonctionnement domestique normales. Si l'environnement est particulièrement gras, poussiéreux, ou s'il y a des animaux domestiques dans la maison, le condensateur devrait être nettoyé tous les 2 ou 3 mois pour assurer une efficacité maximale.

Si l'on doit nettoyer le condensateur :

- Retirer la grille de la base.
- Utiliser un aspirateur à brosse douce pour nettoyer la grille, les endroits ouverts derrière la grille et la surface à l'avant du condensateur.
- Replacer la grille de la base lorsque l'on a terminé.

5. Brancher le réfrigérateur ou reconnecter la source de courant électrique.

---

## Décongélation

Le système anti-givre dégivre automatiquement les compartiments de réfrigération et de congélation. Il n'est pas nécessaire d'effectuer un dégivrage manuel.

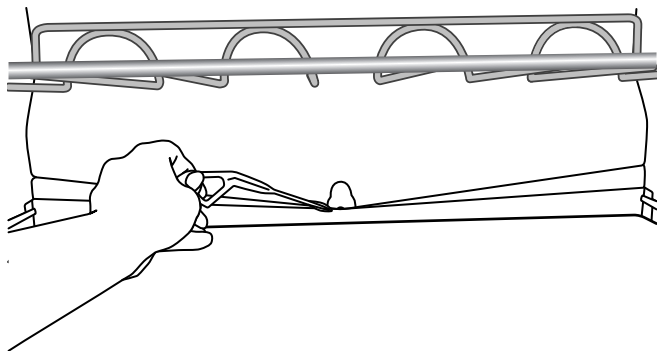
**IMPORTANT :** La formation de gouttelettes d'eau sur la paroi arrière des deux compartiments est un phénomène normal. Nettoyer régulièrement l'ouverture du système de vidange de façon à ce que l'eau de dégivrage s'écoule et s'évapore.

---

### Nettoyage du système de vidange

L'ouverture du système de vidange se trouve au bas du compartiment de réfrigération, près du bac à légumes et à fruits.

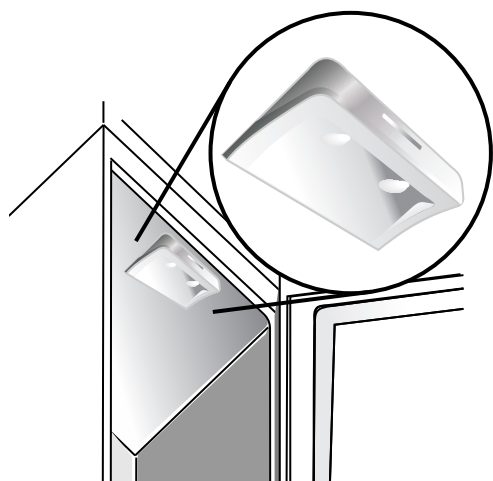
1. Débrancher le réfrigérateur ou déconnecter la source de courant électrique.
2. Retirer le tiroir réfrigérant (sur certains modèles) pour accéder à l'ouverture du système de vidange.
3. Repérer l'outil de nettoyage (fourni) à l'intérieur du système de vidange.
4. Agiter l'outil de nettoyage de haut en bas à l'intérieur de l'ouverture pour enlever tous les résidus qui pourraient s'y trouver.



---

## Lampes

Les lampes du réfrigérateur sont des DEL qui n'ont pas besoin d'être changées. Si les lampes ne s'allument pas lorsque les portes ou le tiroir sont ouverts, téléphoner pour obtenir service. Voir la page de couverture ou la garantie pour savoir qui contacter.



---

## Vacances ou déménagement

---

### Vacances

#### Vacances courtes

Il n'est pas nécessaire de déconnecter le réfrigérateur de l'alimentation électrique si vous vous absentez pendant moins de 3 semaines. Consommer ou surgeler tous les aliments périssables.

#### Si votre modèle comporte une machine à glaçons automatique :

- Éteindre la machine à glaçons.
- Fermer l'approvisionnement en eau de la machine à glaçons.
- Vider le bac à glaçons.

#### Vacances longues

Si vous vous absentez pendant 3 semaines ou plus, retirer tous les aliments et débrancher le réfrigérateur.

Pour empêcher les odeurs et la moisissure de s'installer, fixer des cales en plastiques ou en bois (forme camembert) sur le rebord supérieur des deux portes avec du ruban adhésif. Laisser les portes suffisamment ouvertes pour que l'air puisse circuler dans les deux compartiments.

#### Si votre modèle comporte une machine à glaçons automatique :

- Éteindre la machine à glaçons.
- Fermer l'approvisionnement en eau de la machine à glaçons.
- Vider le bac à glaçons.

---

### Déménagement

1. Retirer tous les balconnets de porte, tiroirs/bacs et tablettes.
2. Envelopper les pièces et les fixer avec du ruban adhésif.
3. Relever les pieds réglables de sorte qu'ils ne touchent plus le plancher.
4. Fermer les deux portes et les fixer avec du ruban adhésif.
5. Fixer le cordon d'alimentation électrique au réfrigérateur avec du ruban adhésif.

# DÉPANNAGE

Essayez les solutions suggérées ici avant de demander de l'aide par téléphone.

## ⚠ AVERTISSEMENT



### Risque de choc électrique

- Brancher sur une prise à 3 alvéoles reliée à la terre.
- Ne pas enlever la broche de liaison à la terre.
- Ne pas utiliser un adaptateur.
- Ne pas utiliser un câble de rallonge.
- Le non-respect de ces instructions peut causer un décès, un incendie ou un choc électrique.

## ⚠ AVERTISSEMENT



### Risque d'explosion

- Utiliser un produit de nettoyage ininflammable.
- Le non-respect de cette instruction peut causer un décès, une explosion ou un incendie.

### Si vous rencontrez ces problèmes

### Causes possibles et/ou solutions recommandées

#### Le réfrigérateur ne fonctionne pas

- **Non raccordé à l'alimentation électrique** - Brancher le cordon d'alimentation dans une prise à 3 alvéoles reliée à la terre. Ne pas utiliser de câble de rallonge.
- **Pas d'alimentation au niveau de la prise** - Brancher une lampe pour voir si la prise électrique fonctionne.
- **Un fusible du domicile est grillé ou le disjoncteur s'est ouvert** - Remplacer le fusible ou réenclencher le disjoncteur. Si le problème persiste, appeler un électricien.
- **Nouvelle installation** - Attendre 24 heures après l'installation pour permettre au réfrigérateur de refroidir complètement.

**REMARQUE :** Le fait de placer la/les commande(s) de température au réglage le plus froid ne refroidira pas le réfrigérateur plus rapidement.

#### Le moteur semble fonctionner excessivement

Votre nouveau réfrigérateur fonctionnera peut-être plus longtemps que votre appareil précédent. Les réfrigérateurs éconergiques fonctionnent plus longtemps à des vitesses inférieures, plus éconergiques. L'appareil peut fonctionner encore plus longtemps encore si la température de la pièce est élevée, si la commande de température est placée à un réglage trop froid, si l'on a ajouté une grande quantité d'aliments ou si l'on a laissé la porte ouverte.

#### Le réfrigérateur semble bruyant

Les bruits de fonctionnement du réfrigérateur peuvent être réduits en le mettant d'aplomb et en s'assurant qu'il se trouve sur un plancher de niveau.

#### Les bruits de fonctionnement suivants sont normaux :

- **Sifflement** - Lors de la mise en marche initiale du réfrigérateur ou après que son fonctionnement a été suspendu pendant longtemps.
- **Gargouillement** - Le liquide réfrigérant pénètre dans les canalisations.
- **Bourdonnement** - Lorsque le robinet d'eau s'ouvre ou que le ventilateur se met en marche
- **Craquement** - Lors de la mise en marche du compresseur - ou, pour certains modèles équipés d'une machine à glaçons, lorsque des glaçons sont éjectés du moule à glaçons et tombent dans le bac d'entreposage.
- **Cliquetis soudains** - Lors de la mise en marche ou l'arrêt du compresseur

Si vous rencontrez ces problèmes	Causes possibles et/ou solutions recommandées
Les portes ne s'ouvrent et ne se ferment pas complètement	<ul style="list-style-type: none"> <li>■ <b>La porte est bloquée en position ouverte</b> - Déplacer les aliments sous emballage pour dégager la porte. Replacer le compartiment ou la tablette en position correcte. Vérifier que le couvercle du bac à légumes est enfoncé complètement de sorte que l'arrière repose sur les supports.</li> <li>■ <b>Le réfrigérateur n'est pas d'aplomb</b> - Nivelier le réfrigérateur.</li> <li>■ <b>Les joints sont sales ou collants</b> - Nettoyer les joints et les surfaces au savon doux et à l'eau tiède. Rincer et sécher avec un linge doux.</li> </ul>
Les ampoules ne fonctionnent pas	<ul style="list-style-type: none"> <li>■ <b>Une ampoule est desserrée dans la douille ou grillée</b> - Voir "Lampes".</li> </ul>
La température est trop élevée	<ul style="list-style-type: none"> <li>■ <b>Nouvelle installation</b> - Attendre 24 heures après l'installation pour permettre au réfrigérateur de refroidir complètement.</li> <li>■ <b>Les portes sont fréquemment ouvertes ou ne sont pas complètement fermées</b> - Cela permet à l'air chaud de pénétrer dans le réfrigérateur. Minimiser les ouvertures de porte et garder les portes complètement fermées.</li> <li>■ <b>Une grande quantité d'aliments chauds a été récemment ajoutée</b> - Attendre quelques heures pour permettre au réfrigérateur de revenir à une température normale.</li> <li>■ <b>Le réglage des commandes n'est pas adapté à l'environnement de l'appareil</b> - Placer les commandes à un réglage plus froid. Vérifier la température au bout de 24 heures.</li> </ul>
La température est trop basse dans le réfrigérateur/bac à légumes	<ul style="list-style-type: none"> <li>■ <b>Ouverture(s) d'évacuation du réfrigérateur obstruée(s)</b> - Si l'ouverture d'évacuation est obstruée par des articles placés directement devant, le réfrigérateur sera trop froid. Éloigner les objets de l'ouverture d'évacuation.</li> <li>■ <b>Le réglage des commandes n'est pas adapté à l'environnement de l'appareil</b> - Placer les commandes à un réglage plus chaud. Vérifier la température au bout de 24 heures.</li> </ul>
<b>Accumulation d'humidité à l'intérieur de l'appareil</b> <b>IMPORTANT :</b> La formation de gouttelettes d'eau sur la paroi arrière des deux compartiments est un phénomène normal. Nettoyer régulièrement l'ouverture du système de vidange de façon à ce que l'eau de dégivrage coule dans le plateau d'égouttement.	<ul style="list-style-type: none"> <li>■ <b>La pièce est humide</b> - Un environnement humide contribue à l'accumulation d'humidité.</li> <li>■ <b>Les portes sont fréquemment ouvertes ou ne sont pas complètement fermées</b> - Cela permet à l'air humide de pénétrer dans le réfrigérateur. Minimiser les ouvertures de porte et garder les portes complètement fermées.</li> <li>■ <b>Les ouvertures d'aération à l'intérieur du compartiment sont obstruées</b> - Retirer les objets placés devant les ouvertures.</li> <li>■ <b>Les aliments sous emballage sont humides</b> - Emballer correctement les aliments et éponger toute humidité sur les contenants d'entreposage avant de les placer dans le réfrigérateur.</li> </ul>
Le bac de dégivrage contient de l'eau	<ul style="list-style-type: none"> <li>■ <b>Ceci est normal par temps humide et chaud</b> - Dans certains cas, le bac peut même être à moitié plein. Vérifier que le réfrigérateur est d'aplomb pour que l'eau ne déborde pas.</li> </ul>
Les côtés du réfrigérateur en contact avec le joint de la porte sont chauds au toucher	<ul style="list-style-type: none"> <li>■ <b>Cela est normal par temps chaud</b> - Le compresseur fonctionne plus longtemps.</li> </ul>

## Accessoires

Les accessoires de réfrigérateur suivants sont disponibles. Pour commander, nous contacter et demander les numéros de pièces.

Aux É.-U., consulter notre page Web [www.whirlpool.com/accessoires](http://www.whirlpool.com/accessoires) ou composer le 1-800-901-2042.

Au Canada, consulter notre page Web [www.whirlpoolparts.ca](http://www.whirlpoolparts.ca) ou composer le 1-800-807-6777.

### Nettoyant et poli pour acier inoxydable affresh® :

Aux É.-U., commander la pièce numéro W10355016  
 Au Canada, commander la pièce numéro W10355016B

### Lingettes pour acier inoxydable affresh® :

Aux É.-U., commander la pièce numéro W10355049  
 Au Canada, commander la pièce numéro W10355049B

### Nettoyant pour appareil ménager et cuisine affresh® :

Aux É.-U., commander la pièce numéro W10355010  
 Au Canada, commander la pièce numéro W10355010B

---

# GARANTIE DE GROS APPAREIL MÉNAGER WHIRLPOOL CORPORATION

---

## GARANTIE LIMITÉE

Pendant un an à compter de la date d'achat, lorsque ce gros appareil ménager est utilisé et entretenu conformément aux instructions jointes à ou fournies avec le produit, Whirlpool Corporation ou Whirlpool Canada LP (ci-après désignées "Whirlpool") paiera pour les pièces spécifiées par l'usine et la main-d'œuvre pour corriger les vices de matériaux ou de fabrication qui existaient déjà lorsque ce gros appareil ménager a été acheté. Le service doit être fourni par une compagnie de service désignée par Whirlpool. LE SEUL ET EXCLUSIF RECOURS DU CLIENT DANS LE CADRE DE LA PRÉSENTE GARANTIE LIMITÉE CONSISTE EN LA RÉPARATION PRÉVUE CI-DESSUS. Cette garantie limitée est valide uniquement aux États-Unis ou au Canada et s'applique exclusivement lorsque le gros appareil ménager est utilisé dans le pays où il a été acheté. Une preuve de la date d'achat d'origine est exigée pour obtenir un service dans le cadre de la présente garantie limitée.

---

## ÉLÉMENTS EXCLUS DE LA GARANTIE

### La présente garantie limitée ne couvre pas :

1. Les pièces de rechange ou la main-d'œuvre lorsque ce gros appareil ménager est utilisé à des fins autres que l'usage domestique unifamilial normal ou lorsque les instructions d'installation et/ou les instructions de l'opérateur ou de l'utilisateur fournies ne sont pas respectées.
  2. Les visites de service pour rectifier l'installation du gros appareil ménager, montrer à l'utilisateur comment utiliser le gros appareil ménager, remplacer ou réparer des fusibles du domicile ou rectifier le câblage ou la plomberie du domicile.
  3. Les visites de service pour réparer ou remplacer les ampoules électriques, les filtres à air ou les filtres à eau de l'appareil. Les pièces consommables ne sont pas couvertes par la garantie.
  4. Les dommages imputables à : accident, modification, usage impropre ou abusif, incendie, inondation, actes de Dieu, installation fautive ou installation non conforme aux codes d'électricité ou de plomberie, ou l'utilisation de produits non approuvés par Whirlpool.
  5. Les défauts d'apparence, notamment les éraflures, traces de choc, fissures ou tout autre dommage subi par le fini du gros appareil ménager, à moins que ces dommages ne résultent de vices de matériaux ou de fabrication et ne soient signalés à Whirlpool dans les 30 jours suivant la date d'achat.
  6. Toute perte d'aliments ou de médicaments due à une défaillance du réfrigérateur ou du congélateur.
  7. Le ramassage et la livraison. Ce gros appareil ménager est conçu pour être réparé à domicile.
  8. Les réparations aux pièces ou systèmes résultant d'une modification non autorisée faite à l'appareil.
  9. Les frais de déplacement et de transport pour le service du produit si votre gros appareil ménager est situé dans une région éloignée où un fournisseur de services d'entretien ou de réparation Whirlpool autorisé n'est pas disponible.
  10. La dépose et la réinstallation de votre gros appareil ménager si celui-ci est installé dans un endroit inaccessible ou n'est pas installé conformément aux instructions d'installation fournies par Whirlpool.
  11. Les pièces de rechange ou la main-d'œuvre pour les gros appareils ménagers dont les numéros de modèle/de série ont été enlevés, modifiés ou ne peuvent pas être facilement identifiés.
  12. La décoloration ou l'oxydation des surfaces en acier inoxydable ou encore l'apparition de rouille sur ces surfaces.
- 

## CLAUSE D'EXONÉRATION DE RESPONSABILITÉ AU TITRE DES GARANTIES IMPLICITES

LES GARANTIES IMPLICITES, Y COMPRIS LES GARANTIES APPLICABLES DE QUALITÉ MARCHANDE OU D'APTITUDE À UN USAGE PARTICULIER, SONT LIMITÉES À UN AN OU À LA PLUS COURTE PÉRIODE AUTORISÉE PAR LA LOI. Certains États et provinces ne permettent pas de limitation sur la durée d'une garantie implicite de qualité marchande ou d'aptitude à un usage particulier, de sorte que la limitation ci-dessus peut ne pas être applicable dans votre cas. Cette garantie vous confère des droits juridiques spécifiques, et vous pouvez également jouir d'autres droits qui peuvent varier d'une juridiction à l'autre.

---

## LIMITATION DES RECOURS; EXCLUSION DES DOMMAGES FORTUITS OU INDIRECTS

LE SEUL ET EXCLUSIF RECOURS DU CLIENT DANS LE CADRE DE LA PRÉSENTE GARANTIE LIMITÉE CONSISTE EN LA RÉPARATION PRÉVUE CI-DESSUS. WHIRLPOOL N'ASSUME AUCUNE RESPONSABILITÉ POUR LES DOMMAGES FORTUITS OU INDIRECTS. Certains États et certaines provinces ne permettent pas l'exclusion ou la limitation des dommages fortuits ou indirects, de sorte que ces limitations et exclusions peuvent ne pas être applicables dans votre cas. Cette garantie vous confère des droits juridiques spécifiques, et vous pouvez également jouir d'autres droits qui peuvent varier d'une juridiction à l'autre.

---

Si vous résidez à l'extérieur des 50 États des États-Unis et du Canada, contactez votre marchand Whirlpool autorisé pour déterminer si une autre garantie s'applique.

6/08

---

Pour des informations supplémentaires sur le produit, aux É.-U., visiter [www.whirlpool.com](http://www.whirlpool.com).  
Au Canada, visiter [www.whirlpool.ca](http://www.whirlpool.ca).

Si vous n'avez pas accès à Internet et que vous nécessitez une assistance pendant l'utilisation du produit ou que vous souhaitez prendre un rendez-vous, vous pouvez contacter Whirlpool au numéro ci-dessous.

*Ayez votre numéro de modèle à disposition. Vous pouvez trouver vos numéros de modèle et de série sur la plaque située sur la paroi interne du compartiment de réfrigération.*

Pour assistance ou service aux É.-U., composez le 1-800-253-1301. Au Canada, composez le 1-800-807-6777.

Si vous avez besoin de plus d'assistance, vous pouvez écrire à Whirlpool en soumettant toute question ou problème à l'adresse suivante :

Aux États-Unis :

Whirlpool Brand Home Appliances  
Customer eXperience Center  
553 Benson Road  
Benton Harbor, MI 49022-2692

Au Canada :

Whirlpool Brand Home Appliances  
Centre d'eXpérience à la clientèle  
200 – 6750 Century Ave.  
Mississauga, Ontario L5N 0B7

Dans votre correspondance, veuillez indiquer un numéro de téléphone où l'on peut vous joindre dans la journée.

Veuillez conserver toutes les instructions fournies ainsi que le numéro de modèle pour référence ultérieure.

