

INSTALLATION INSTRUCTIONS 30" (76.0 CM) SLIDE-IN ELECTRIC RANGES

INSTRUCTIONS D'INSTALLATION DES CUISINIÈRES ÉLECTRIQUES ENCASTRABLES DE 30" (76,0 CM)

INSTRUCCIONES DE INSTALACIÓN ESTUFAS ELÉCTRICAS DESLIZABLES DE 30" (76,0 CM)

Table of Contents

RANGE SAFETY	2	Install Anti-Tip Bracket	8
INSTALLATION REQUIREMENTS	3	Adjust Leveling Legs	9
Tools and Parts.....	3	Level Range.....	10
Location Requirements.....	3	Electrical Connection - U.S.A. Only.....	10
Electrical Requirements - U.S.A. Only.....	6	Verify Anti-Tip Bracket Is Installed and Engaged	15
Electrical Requirements - Canada Only.....	7	Remove/Replace Drawer	16
INSTALLATION INSTRUCTIONS	8	Oven Door	16
Unpack Range.....	8	Complete Installation	17

Table des matières

SÉCURITÉ DE LA CUISINIÈRE	18	Réglage des pieds de nivellement.....	24
EXIGENCES D'INSTALLATION	19	Réglage de l'aplomb de la cuisinière.....	25
Outillage et pièces.....	19	Vérifier que la bride antibasculement est bien installée et engagée	25
Exigences d'emplacement.....	19	Dépose et réinstallation du tiroir	26
Spécifications électriques – Canada seulement	22	Porte du four	26
INSTRUCTIONS D'INSTALLATION	23	Achever l'installation	27
Déballage de la cuisinière	23		
Installation de la bride antibasculement	23		

Índice

SEGURIDAD DE LA ESTUFA	28	Regule las patas niveladoras	34
REQUISITOS DE INSTALACIÓN	29	Nivelación de la estufa	35
Herramientas y piezas.....	29	Conexión eléctrica, en EE. UU. solamente.....	35
Requisitos de ubicación.....	29	Verifique que el soporte antivuelco esté instalado y enganchado	40
Requisitos eléctricos, en EE. UU. solamente	32	Retire/vuelva a colocar el cajón	41
INSTRUCCIONES DE INSTALACIÓN	33	Puerta del horno.....	41
Desempaque la estufa	33	Complete la instalación.....	42
Instalación del soporte antivuelco	33		

IMPORTANT:

Save for local electrical inspector's use.

IMPORTANT :

À conserver pour consultation par l'inspecteur local des installations électriques.

IMPORTANTE:

Guarde para tener a disposición del inspector de electricidad local.

RANGE SAFETY

Your safety and the safety of others are very important.

We have provided many important safety messages in this manual and on your appliance. Always read and obey all safety messages.



This is the safety alert symbol.

This symbol alerts you to potential hazards that can kill or hurt you and others.

All safety messages will follow the safety alert symbol and either the word "DANGER" or "WARNING."

These words mean:

⚠ DANGER

You can be killed or seriously injured if you don't immediately follow instructions.

⚠ WARNING

You can be killed or seriously injured if you don't follow instructions.

All safety messages will tell you what the potential hazard is, tell you how to reduce the chance of injury, and tell you what can happen if the instructions are not followed.

⚠ WARNING

Tip Over Hazard

A child or adult can tip the range and be killed.

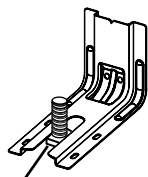
Install anti-tip bracket to floor or wall per installation instructions.

Slide range back so rear range foot is engaged in the slot of the anti-tip bracket.

Re-engage anti-tip bracket if range is moved.

Do not operate range without anti-tip bracket installed and engaged.

Failure to follow these instructions can result in death or serious burns to children and adults.



Anti-Tip Bracket

Range Foot

To verify the anti-tip bracket is installed and engaged:

- Slide range forward.
- Look for the anti-tip bracket securely attached to floor or wall.
- Slide range back so rear range foot is under anti-tip bracket.
- See installation instructions for details.

INSTALLATION REQUIREMENTS

Tools and Parts

Gather the required tools and parts before starting installation. Read and follow the instructions provided with any tools listed here.

Tools Needed

- Tape measure
- Flat-blade screwdriver
- Phillips screwdriver
- Level
- Hand or electric drill
- Wrench or pliers
- Marker or pencil
- Masking tape
- 1/4" (6.4 mm) drive ratchet
- 1/4" (6.4 mm) nut driver
- 3/8" (9.5 mm) and 5/16" (8 mm) nut driver
- 1/8" (3.2 mm) drill bit (for wood floors)
- Tin snips or large wire cutters (for cutting ground strap if necessary)

Parts Supplied

Check that all parts are included.

- 10-32 hex nuts (attached to terminal block) (3)
- Direct wire lugs (3)
- #10 x 1⁵/₈" (41 mm) screws (for mounting anti-tip bracket) (2)
- Anti-tip bracket (inside oven cavity)

Anti-tip bracket must be securely mounted to the back wall or floor. Thickness of flooring may require longer screws to anchor bracket to subfloor. Longer screws are available from your local hardware store.

For Model:

WEE750H0H
YWEE750H0H
WEEA25H0H
YWEEA25H0H

Oven racks	3
------------	---

Parts Needed

If using a power supply cord kit:

- A UL Listed power supply cord kit marked for use with ranges. The cord should be rated at 250 volts minimum, 40 amps or 50 amps, that is marked for use with nominal 1³/₈" (3.5 cm) diameter connection opening, and must end in ring terminals or open-end spade terminals with upturned ends.
- A UL Listed strain relief.

Check local codes. Check existing electrical supply. See the appropriate "Electrical Requirements" section.

It is recommended that all electrical connections be made by a licensed, qualified electrical installer.

Optional Parts

To purchase these or any other accessories, please reference the "Accessories" section of the User Guide for contact information.

Side Trim Kits:

- White - Order Part Number W10675027
- Black - Order Part Number W10675026
- Stainless Steel - Order Part Number W10675028

Backsplash Kits:

- High 6" (15.2 cm) White - Order Part Number W10655448
- High 6" (15.2 cm) Black - Order Part Number W10655449
- High 6" (15.2 cm) Stainless Steel - Order Part Number W10655450

Location Requirements

IMPORTANT: Observe all governing codes and ordinances.

- It is the installer's responsibility to comply with installation clearances specified on the model/serial/rating plate. The model/serial/rating plate is located behind the oven door on the top right-hand side of the oven frame.
- To eliminate the risk of burns or fire by reaching over the heated surface units, cabinet storage space located above the surface units should be avoided. If cabinet storage is to be provided, the risk can be reduced by installing a range hood or microwave hood combination that projects horizontally a minimum of 5" (12.7 cm) beyond the bottom of the cabinets.
- The range should be located for convenient use in the kitchen.
- Recessed installations must provide complete enclosure of the sides and rear of the range.
- All openings in the wall or floor where range is to be installed must be sealed.
- Cabinet opening dimensions that are shown must be used. Given dimensions are minimum clearances.
- The anti-tip bracket must be installed. To install the anti-tip bracket shipped with the range, see the "Install Anti-Tip Bracket" section.
- Grounded electrical supply is required. See the appropriate "Electrical Requirements" section.
- Contact a qualified floor covering installer to check that the floor covering can withstand at least 200°F (93°C).
- Use an insulated pad or 1/4" (6.4 mm) plywood under range if installing range over carpeting.

IMPORTANT: To avoid damage to your cabinets, check with your builder or cabinet supplier to make sure that the materials used will not discolor, delaminate, or sustain other damage. This oven has been designed in accordance with the requirements of UL and CSA International and complies with the maximum allowable wood cabinet temperatures of 194°F (90°C).

Mobile Home - Additional Installation Requirements

The installation of this range must conform to the Manufactured Home Construction and Safety Standard, Title 24 CFR, Part 3280 (formerly the Federal Standard for Mobile Home Construction and Safety, Title 24, HUD Part 280). When such standard is not applicable, use the Standard for Manufactured Home Installations, ANSI A225.1/NFPA 501A or local codes.

In Canada, the installation of this range must conform with the current standards CAN/CSA-A240-latest edition or local codes.

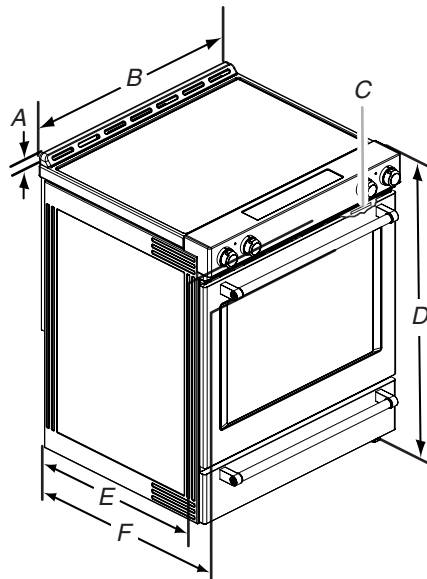
Mobile Home Installations Require:

- When this range is installed in a mobile home, it must be secured to the floor during transit. Any method of securing the range is adequate as long as it conforms to the standards listed above.
- Four-wire power supply cord or cable must be used in a mobile home installation.

Product Dimensions

These instructions cover several models. Your model may appear different from the models depicted. Dimensions given are maximum dimensions across all models.

Model WEE750H0H



- A. $1\frac{3}{16}$ " (3.0 cm) height from cooktop to top of vent
- B. $29\frac{7}{8}$ " (75.9 cm)
- C. Model/serial/rating plate (located behind the oven door on the top right-hand side of the oven frame)
- D. 36" (91.4 cm) height to top of cooktop edge with leveling legs screwed in all the way*
- E. 27" (68.8 cm)
- F. $28\frac{5}{8}$ " (72.7 cm) max. depth from handle to back of range

IMPORTANT: Range must be level after installation. Follow the instructions in the "Level Range" section. Using the cooktop as a reference for leveling the range is not recommended.

* Range can be raised approximately 1" (2.5 cm) by adjusting the leveling legs.

Cabinet Dimensions

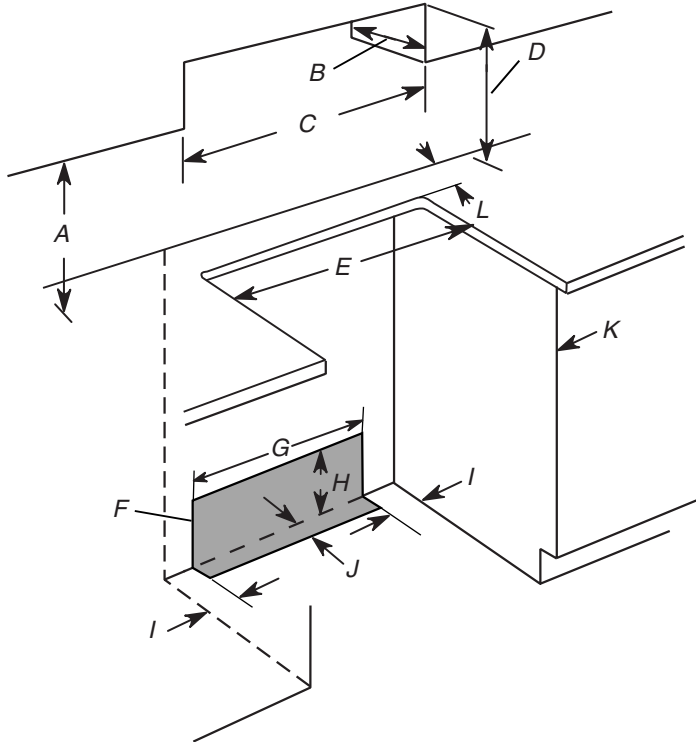
Cabinet opening dimensions shown are for 25" (64.0 cm) countertop depth, 24" (61.0 cm) base cabinet depth and 36" (91.4 cm) countertop height.

IMPORTANT: If installing a range hood or microwave hood combination above the range, follow the range hood or microwave hood combination installation instructions for dimensional clearances above the cooktop surface.

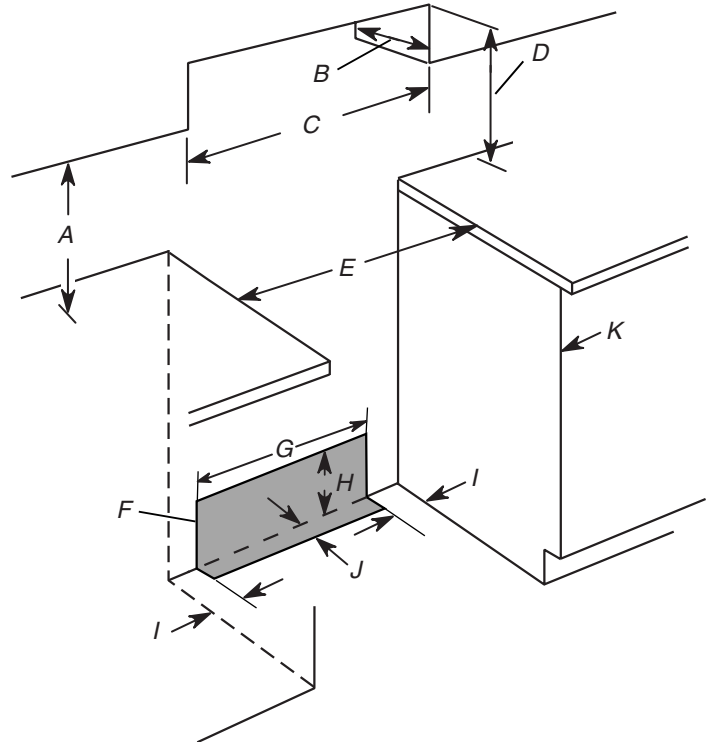
Range may be installed next to combustible walls with zero clearance.

NOTE: When installed in a slide-in cutout, the front of oven door may protrude beyond the base cabinet.

Slide-In Cutout



Freestanding Cutout



- A. 18" (45.7 cm) upper side cabinet to countertop
- B. 13" (33 cm) max. upper cabinet depth
- C. 30" (76.2 cm) min. opening width
- D. For minimum clearance to top of cooktop, see NOTE*.
- E. 30" (76.2 cm) min. opening width
- F. The shaded area is recommended for installation of grounded outlet.
- G. 13¹/₈" (33.3 cm)
- H. 7¹¹/₁₆" (19.5 cm)
- I. 4¹³/₁₆" (12.2 cm)
- J. 3¹¹/₁₆" (9.4 cm) plus measurement of L
- K. Cabinet door or hinges should not extend into the cutout.
- L. Remaining counter depth should not exceed 2¹/₄" (5.7 cm).


- A. 18" (45.7 cm) upper side cabinet to countertop
- B. 13" (33 cm) max. upper cabinet depth
- C. 30" (76.2 cm) min. opening width
- D. For minimum clearance to top of cooktop, see NOTE*.
- E. 30" (76.2 cm) min. opening width
- F. The shaded area is recommended for installation of grounded outlet.
- G. 13¹/₈" (33.3 cm)
- H. 7¹¹/₁₆" (19.5 cm)
- I. 4¹³/₁₆" (12.2 cm)
- J. 3¹¹/₁₆" (9.4 cm)
- K. Cabinet door or hinges should not extend into the cutout.

* **NOTE:** 24" (61.0 cm) minimum when bottom of wood or metal cabinet is shielded by not less than 1/4" (6.4 mm) flame retardant millboard covered with not less than No. 28 MSG sheet steel, 0.015" (0.4 mm) stainless steel, 0.024" (0.6 mm) aluminum or 0.020" (0.5 mm) copper.

30" (76.2 cm) minimum clearance between the top of the cooking platform and the bottom of an uncovered wood or metal cabinet.

Electrical Requirements - U.S.A. Only

⚠ WARNING



Electrical Shock Hazard

Electrically ground range.

Failure to do so can result in death, fire, or electrical shock.

If codes permit and a separate ground wire is used, it is recommended that a qualified electrical installer determine that the ground path and wire gauge are in accordance with local codes.

Do not use an extension cord.

Be sure that the electrical connection and wire size are adequate and in conformance with the National Electrical Code, ANSI/NFPA 70-latest edition and all local codes and ordinances.

A copy of the above code standards can be obtained from:

National Fire Protection Association
1 Batterymarch Park
Quincy, MA 02169-7471

WARNING: Improper connection of the equipment-grounding conductor can result in a risk of electric shock. Check with a qualified electrician or service technician if you are in doubt as to whether the appliance is properly grounded. Do not modify the power supply cord plug. If it will not fit the outlet, have a proper outlet installed by a qualified electrician.

Electrical Connection

To properly install your range, you must determine the type of electrical connection you will be using and follow the instructions provided for it here.

- Range must be connected to the proper electrical voltage and frequency as specified on the model/serial/rating plate. The model/serial/rating plate is located behind the oven door on the top right-hand side of the oven frame.
- This range is manufactured with the neutral terminal connected to the cabinet. Use a 3-wire, UL Listed, 40- or 50-amp power supply cord (pigtail). See the following Range Rating chart. If local codes do not permit ground through the neutral, use a 4-wire power supply cord rated at 250 volts, 40- or 50-amps and investigated for use with ranges.

Range Rating*		Specified Rating of Power Supply Cord Kit and Circuit Protection
120/240 Volts	120/208 Volts	Amps
8.8 - 16.5 KW	7.8 - 12.5 KW	40 or 50**
16.6 - 22.5 KW	12.6 - 18.5 KW	50

* The NEC calculated load is less than the total connected load listed on the model/serial/rating plate.

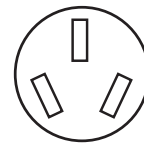
** If connecting to a 50-amp circuit, use a 50-amp rated cord with kit. For 50-amp rated cord kits, use kits that specify use with a nominal 1³/₈" (3.5 cm) diameter connection opening.

- A circuit breaker is recommended.
- The range can be connected directly to the circuit breaker box (or fused disconnect) through flexible or nonmetallic sheathed, copper, or aluminum cable. See the "Electrical Connection - U.S.A. Only" section.

- Allow at least 6 ft (1.8 m) of slack in the line so that the range can be moved if servicing is ever necessary.
- A UL Listed conduit connector must be provided at each end of the power supply cable (at the range and at the junction box).
- Wire sizes and connections must conform with the rating of the range.
- The tech sheet and wiring diagram are located on the back of the range in a plastic bag.

If Connecting to a 3-Wire System:

Local codes may permit the use of a UL Listed, 3-wire, 250-volt, 40- or 50-amp range power supply cord (pigtail). This cord contains 3 copper conductors with ring terminals or open-end spade terminals with upturned ends, terminating in a NEMA Type 10-50P plug on the supply end. Connectors on the appliance end must be provided at the point the power supply cord enters the appliance. This uses a 3-wire receptacle of NEMA Type 10-50R.



3-wire receptacle (10-50R)

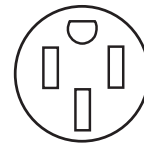
If Connecting to a 4-Wire System:

This range is manufactured with the ground connected to the neutral by a link. The ground must be revised so the green ground wire of the 4-wire power supply cord is connected to the cabinet. See the "Electrical Connection - U.S.A. Only" section.

Grounding through the neutral conductor is prohibited for new branch-circuit installations (1996 NEC), mobile homes, and recreational vehicles, or an area where local codes prohibit grounding through the neutral conductor.

When a 4-wire receptacle of NEMA Type 14-50R is used, a matching UL Listed, 4-wire, 250-volt, 40- or 50-amp, range power supply cord (pigtail) must be used. This cord contains 4 copper conductors with ring terminals or open-end spade terminals with upturned ends, terminating in a NEMA Type 14-50P plug on the supply end.

The fourth (grounding) conductor must be identified by a green or green/yellow cover and the neutral conductor by a white cover. Cord should be Type SRD or SRDT with a UL Listed strain relief and be at least 4 ft (1.22 m) long.




4-wire receptacle (14-50R)

The minimum conductor sized for the copper 4-wire power cord are:

- 40-amp circuit
- 2 No.-8 conductors
- 1 No.-10 white neutral
- 1 No.-10 green grounding

Electrical Requirements - Canada Only

⚠ WARNING

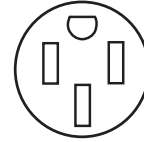


Electrical Shock Hazard

Electrically ground range.

Failure to do so can result in death, fire, or electrical shock.

- When a 4-wire, single phase 250-volt, 60 Hz., AC-only electrical supply is available, a 40-amp minimum circuit protection is required on 30" (76.2 cm) ranges, fused on both sides of the line.
- A circuit breaker is recommended.
- This range is equipped with a UL or CSA International Certified Power Cord intended to be plugged into a standard 14-50R wall receptacle. Be sure the wall receptacle is within reach of range's final location.



- Do not use an extension cord.
- The wiring diagram is located on the back of the range or in a clear plastic bag.

If codes permit and a separate ground wire is used, it is recommended that a qualified electrical installer determine that the ground path is adequate and wire gauge are in accordance with local codes.

Be sure that the electrical connection and wire size are adequate and in conformance with CSA Standard C22.1, Canadian Electrical Code, Part 1 - latest edition, and all local codes and ordinances.

A copy of the above code standards can be obtained from:

Canadian Standards Association
178 Rexdale Blvd.
Toronto, ON M9W 1R3 CANADA

- Check with a qualified electrical installer if you are not sure the range is properly grounded.

Range Rating*		Specified Rating of Power Supply Cord Kit and Circuit Protection
120/240 Volts	120/208 Volts	Amps
8.8 - 16.5 KW	7.8 - 12.5 KW	40 or 50**
16.6 - 22.5 KW	12.6 - 18.5 KW	50

* The NEC calculated load is less than the total connected load listed on the model/serial/rating plate.

** If connecting to a 50-amp circuit, use a 50-amp rated cord with kit. For 50-amp rated cord kits, use kits that specify use with a nominal 1³/₈" (34.9 mm) diameter connection opening.

INSTALLATION INSTRUCTIONS

Unpack Range

! WARNING

Excessive Weight Hazard

Use two or more people to move and install range.
Failure to do so can result in back or other injury.

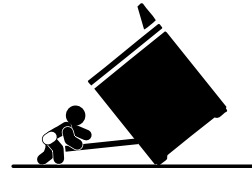
1. Remove shipping materials, tape and film from the range. Keep cardboard bottom under range. Do not dispose of anything until the installation is complete.
2. Remove oven racks and parts package from oven and shipping materials.
3. To remove cardboard bottom, first take 4 cardboard corners from the carton. Stack 1 cardboard corner on top of another. Repeat with the other 2 corners. Place them lengthwise on the floor behind the range to support the range when it is laid on its back.
4. Using 2 or more people, firmly grasp the range and gently lay it on its back on the cardboard corners.
5. Remove cardboard bottom.

The leveling legs can be adjusted while the range is on its back. See the "Adjust Leveling Legs" section.

NOTE: To place range back up into a standing position, put a sheet of cardboard or hardboard on the floor in front of range to protect the flooring. Using 2 or more people, stand range back up onto the cardboard or hardboard.

Install Anti-Tip Bracket

! WARNING



Tip Over Hazard

A child or adult can tip the range and be killed.

Install anti-tip bracket to floor or wall per installation instructions.

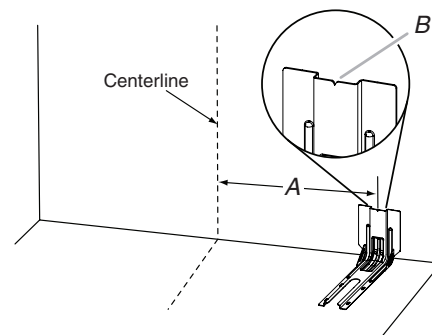
Slide range back so rear range foot is engaged in the slot of the anti-tip bracket.

Re-engage anti-tip bracket if range is moved.

Do not operate range without anti-tip bracket installed and engaged.

Failure to follow these instructions can result in death or serious burns to children and adults.

1. Remove the anti-tip bracket from the inside of the oven.
2. Determine which mounting method to use: floor or wall. If you have a stone or masonry floor, you can use the wall mounting method. If you are installing the range in a mobile home, you must secure the range to the floor. This anti-tip bracket and screws can be used with wood or metal studs.
3. Determine and mark centerline of the cutout space. The mounting bracket can be installed on either the left-hand or right-hand side of the cutout. Position mounting bracket against the wall in the cutout so that the V-notch of the bracket is 12¹/₂" (31.8 cm) from centerline, as shown.

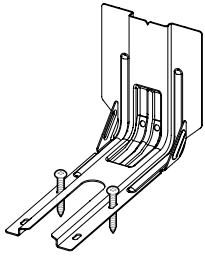


A. 12¹/₂" (31.8 cm)

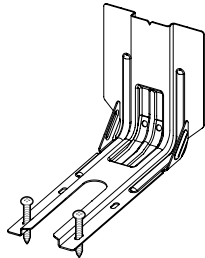
B. Bracket V-notch

- Drill two 1/8" (3 mm) holes that correspond to the bracket holes of the determined mounting method. See the following illustrations.

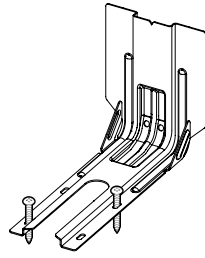
Floor Mounting



Rear position

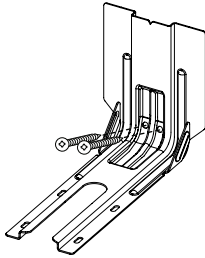


Front position

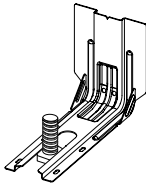


Diagonal (2 options)

Wall Mounting



- Using the two #10 x 1⁵/₈" (41 mm) Phillips-head screws provided, mount anti-tip bracket to the wall or floor.
- Move range close enough to opening to allow for final electrical connections. Remove shipping base, cardboard or hardboard from under range.
- Move range into its final location, making sure rear leveling leg slides into anti-tip bracket.



- Move range forward onto shipping base, cardboard, or hardboard to continue installing the range, using the following installation instructions.

Adjust Leveling Legs

- If range height adjustment is necessary, use a wrench or pliers to loosen the four leveling legs.

This may be done with the range on its back or with the range supported on two legs after the range has been placed back to a standing position.

NOTE: To place range back up into a standing position, put a sheet of cardboard or hardboard in front of range. Using two or more people, stand range back up onto the cardboard or hardboard.

⚠ WARNING



Tip Over Hazard

A child or adult can tip the range and be killed.

Install anti-tip bracket to floor or wall per installation instructions.

Slide range back so rear range foot is engaged in the slot of the anti-tip bracket.

Re-engage anti-tip bracket if range is moved.

Do not operate range without anti-tip bracket installed and engaged.

Failure to follow these instructions can result in death or serious burns to children and adults.

- Measure the distance from the top of the counter to the floor.
- Measure the distance from the top of the cooktop to the bottom of the leveling legs. This distance should be the same. If it is not, adjust the leveling legs to the correct height. The leveling legs can be loosened to add up to a maximum of 1" (2.5 cm). A minimum of 3/16" (5 mm) is needed to engage the anti-tip bracket.

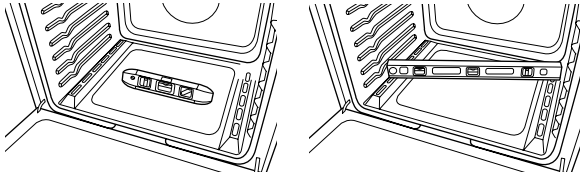
NOTE: If height adjustment is made when range is standing, tilt the range back to adjust the front legs, and then tilt forward to adjust the rear legs.

- When the range is at the correct height, check that there is adequate clearance under the range for the anti-tip bracket. Before sliding range into its final location, check that the anti-tip bracket will slide under the range and onto the rear leveling leg prior to anti-tip bracket installation.

NOTE: If a Trim Kit will be used, the top of the cooktop should be higher than the counter. See the Installation Instructions included with the Trim Kit for the correct height.

Level Range

- Place level on the oven bottom, as indicated in one of the 2 figures below, depending on the size of the level. Check with the level side to side and front to back.



- If range is not level, use a wrench or pliers to adjust leveling legs up or down until the range is level.

NOTE: Range must be level for satisfactory baking performance and best cleaning results using AquaLift® Self-Clean Technology.

Electrical Connection - U.S.A. Only

If your home has a 3- or 4-wire receptacle, continue with "Install Using a Power Supply Cord." If your home has a 3- or 4-wire direct connection, go to "Install Using Direct Wire."

Install Using a Power Supply Cord

⚠ WARNING



Electrical Shock Hazard

Disconnect power before servicing.

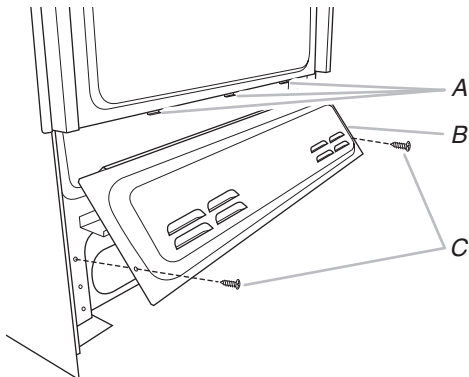
Use a new 40 amp power supply cord.

Plug into a grounded outlet.

Failure to follow these instructions can result in death, fire, or electrical shock.

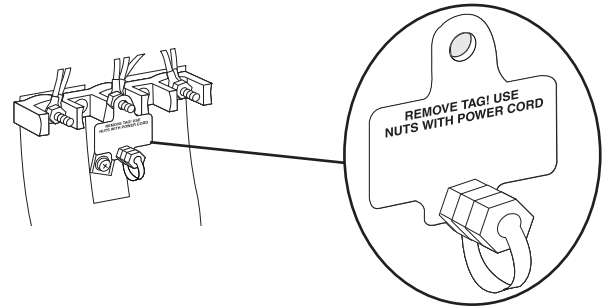
Power Supply Cord Strain Relief

- Disconnect power.
- Remove the lower access cover screws located on the back of the range. Pull the bottom of the cover toward you and out to remove cover from range.



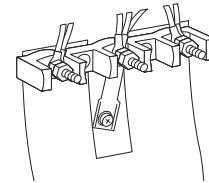
- A. Mounting tabs (3)
B. Lower access cover
C. Screws (2)

- Depending on your model, remove plastic tag holding three 10-32 hex nuts from the middle post of the terminal block. Remove the top 10-32 hex nut from each of the 3 terminal blocks and set aside.

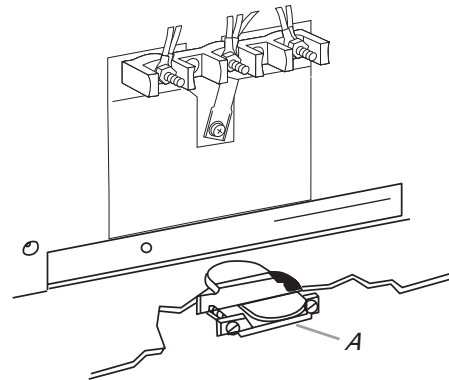


OR

Remove the top 10-32 hex nut from each of the 3 terminal blocks and set aside.



- Assemble a UL Listed strain relief in the opening.



A. UL Listed strain relief

- Complete installation following instructions for your type of electrical connection:

4-wire (recommended)

3-wire (if 4-wire is not available)

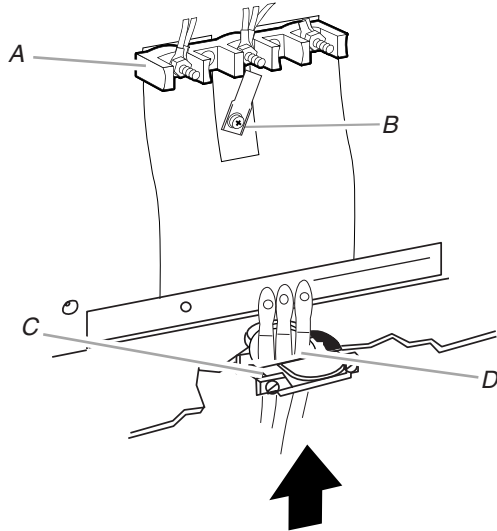
Electrical Connection Options

If your home has:	And you will be connecting to:	Go to section:
3-wire receptacle (NEMA type 10-50R)	A UL Listed, 250-volt minimum, 40- or 50-amp, range power supply cord	3-Wire Connection: Power Supply Cord
4-wire receptacle (NEMA type 14-50R)	A UL Listed, 250-volt minimum, 40- or 50-amp, range power supply cord	4-Wire Connection: Power Supply Cord

3-Wire Connection: Power Supply Cord

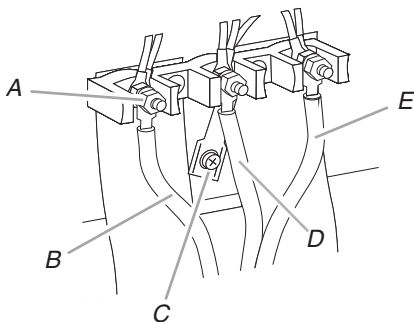
Use this method only if local codes permit connecting chassis ground conductor to neutral wire of power supply cord.

1. Feed the power supply cord through the strain relief on the cord/conduit plate on bottom of range. Allow enough slack to easily attach the wiring to the terminal block.



A. Terminal block
 B. Ground-link screw
 C. UL Listed strain relief
 D. Power supply cord wires - large opening

2. Use a 3/8" (9.5 mm) nut driver to connect the neutral (white) wire to the center terminal block post with one of the 10-32 hex nuts.



A. 10-32 hex nut
 B. Line 2 (red) wire
 C. Ground-link screw
 D. Neutral (white) wire
 E. Line 1 (black) wire

3. Connect line 2 (red) and line 1 (black) wires to the outer terminal block posts with 10-32 hex nuts.
4. Firmly tighten hex nuts.

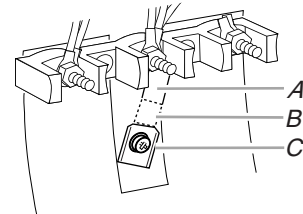
NOTE: For power supply cord replacement, use only a power cord rated at 250 volts minimum, 40- or 50-amps that is marked for use with nominal 1³/₈" (3.5 cm) diameter connection opening, with ring terminals and marked for use with ranges.

5. Tighten strain relief screws.
- IMPORTANT:** Verify the tightness of the hex nuts.
6. Replace lower access cover.

4-Wire Connection: Power Supply Cord

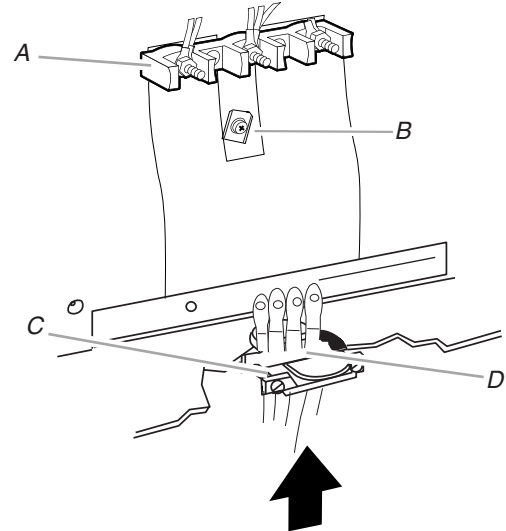
Use this method for:

- New branch-circuit installations (1996 NEC)
 - Mobile homes
 - Recreational vehicles
 - In an area where local codes prohibit grounding through the neutral
1. Cut out and remove part of metal ground strap, as shown.



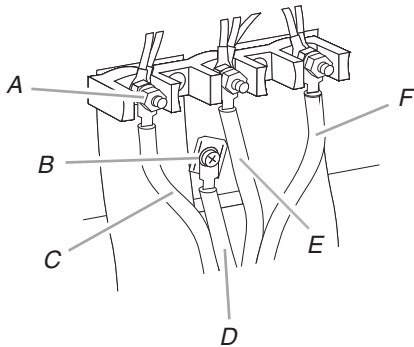
A. Metal ground strap
 B. Discard
 C. Ground-link screw

2. Use a Phillips screwdriver to remove the ground-link screw from the back of the range. Save the ground-link screw and the end of the ground link under the screw.
3. Feed the power supply cord through the strain relief on the cord/conduit plate on bottom of range. Allow enough slack to easily attach the wiring to the terminal block.



A. Terminal block
 B. Ground-link screw
 C. UL Listed strain relief
 D. Power supply cord wires

4. Use a Phillips screwdriver to connect the green ground wire from the power supply cord to the range with the ground-link screw and ground-link section. The ground wire must be attached over the ground-link section.
5. Use 3/8" (9.5 mm) nut driver to connect the neutral (white) wire to the center terminal block post with one of the 10-32 hex nuts.



- | | |
|----------------------|-------------------------|
| A. 10-32 hex nut | D. Green ground wire |
| B. Ground-link screw | E. Neutral (white) wire |
| C. Line 2 (red) wire | F. Line 1 (black) wire |

6. Connect line 2 (red) and line 1 (black) wires to the outer terminal block posts with 10-32 hex nuts.
7. Firmly tighten hex nuts.

NOTE: For power supply cord replacement, use only a power cord rated at 250 volts minimum, 40- or 50-amps, that is marked for use with nominal 1³/₈" (3.5 cm) diameter connection opening, with ring terminals and marked for use with ranges.

8. Tighten strain relief screws.
- IMPORTANT:** Verify the tightness of the hex nuts.
9. Replace lower access cover.

Install Using Direct Wire

⚠ WARNING



Electrical Shock Hazard

Disconnect power before servicing.

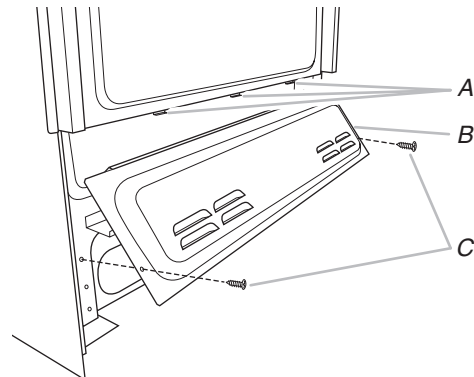
Use 8 gauge copper or 6 gauge aluminum wire.

Electrically ground range.

Failure to follow these instructions can result in death, fire, or electrical shock.

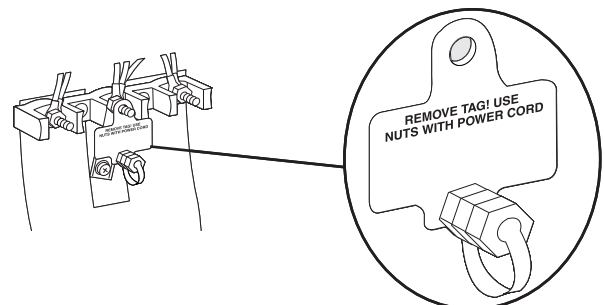
Direct Wire Strain Relief

1. Disconnect power.
2. Remove the lower access cover screws located on the back of the range. Pull the bottom of the cover toward you and out to remove cover from range.



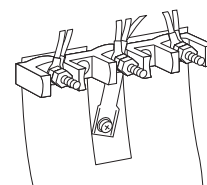
- | |
|-----------------------|
| A. Mounting tabs (3) |
| B. Lower access cover |
| C. Screws (2) |

3. Depending on your model, remove plastic tag holding three 10-32 hex nuts from the middle post of the terminal block. Remove the top 10-32 hex nut from each of the 3 terminal blocks and set aside.

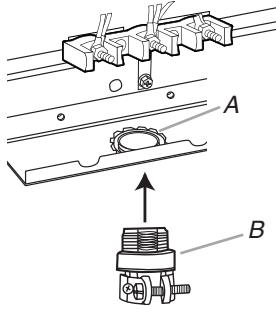


OR

Remove the top 10-32 hex nut from each of the 3 terminal blocks and set aside.



- Assemble a UL Listed conduit connector in the opening.



A. Removable retaining nut
B. Conduit

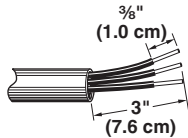
- Tighten strain relief screw against the flexible conduit.



Direct Wire Installation: Copper or Aluminum Wire

This range may be connected directly to the fuse disconnect or circuit breaker box. Depending on your electrical supply, make the required 3-wire or 4-wire connection.

- Strip outer covering back 3" (7.6 cm) to expose wires. Strip the insulation back 3/8" (1.0 cm) from the end of each wire.



- Allow enough slack in the wire to easily attach the wiring terminal block.
- Complete installation following instructions for your type of electrical connection:
4-wire (recommended)
3-wire (if 4-wire is not available)

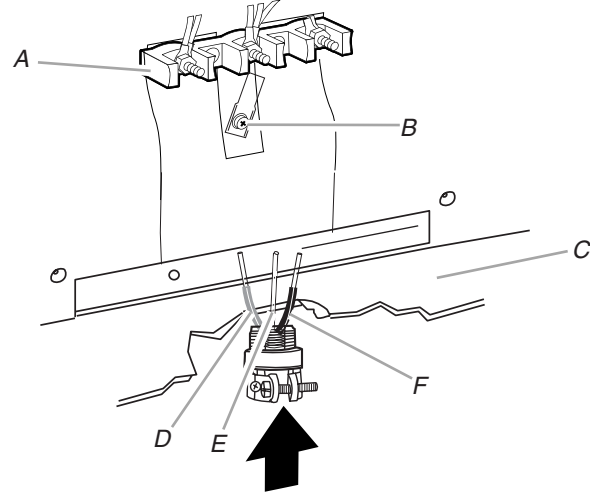
Electrical Connection Options

If your home has:	And you will be connecting to:	Go to section:
3-wire direct 	A circuit breaker box or fused disconnect	3-Wire Connection: Direct Wire
4-wire direct 	A circuit breaker box or fused disconnect	4-Wire Connection: Direct Wire

3-Wire Connection: Direct Wire

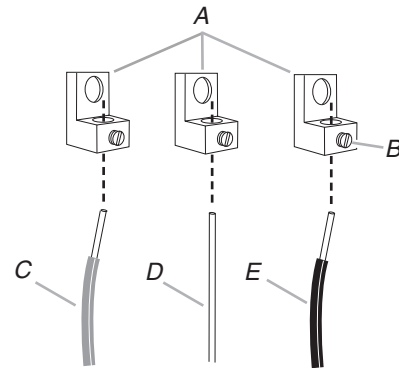
Use this method only if local codes permit connecting ground conductor to neutral supply wire.

- Pull the wires through the conduit on cord/conduit plate on bottom of range. Allow enough slack to easily attach the wiring to the terminal block.



A. Terminal block
B. Ground-link screw
C. Cord/conduit plate
D. Line 2 (red) wire
E. Bare (green) ground wire
F. Line 1 (black) wire

- Attach terminal lugs to line 2 (red), bare (green) ground, and line 1 (black) wires. Loosen (do not remove) the setscrew on the front of the terminal lug and insert exposed wire end through bottom of terminal lugs. Securely tighten setscrew to torque as shown in the following Bare Wire Torque Specifications chart.



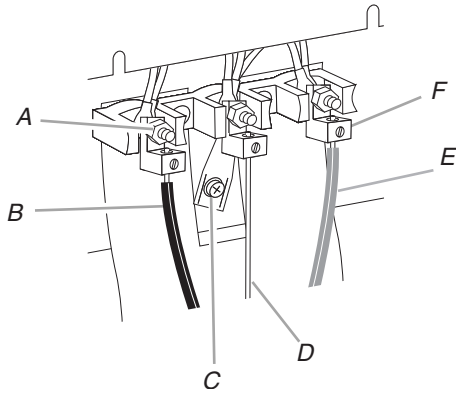
A. Terminal lug
B. Setscrew
C. Line 2 (red) wire
D. Bare (green) ground wire
E. Line 1 (black) wire

Bare Wire Torque Specifications

Attaching terminal lugs to the terminal block - 20 lbs-in. (2.3 N-m)

Wire Awg	Torque
8 gauge copper	25 lbs-in. (2.8 N-m)
6 gauge aluminum	35 lbs-in. (4.0 N-m)

- Use 3/8" (9.5 mm) nut driver to connect the bare (green) ground wire to the center terminal block post with one of the 10-32 hex nuts.



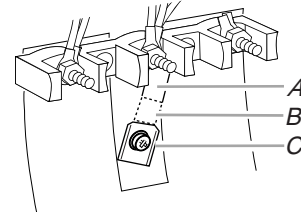
- A. 10-32 hex nut D. Bare (green) ground wire
 B. Line 2 (red) wire E. Line 1 (black) wire
 C. Ground-link screw F. Terminal lug

- Connect line 2 (red) and line 1 (black) wires to the outer terminal block posts with 10-32 hex nuts.
- Firmly tighten hex nuts.
IMPORTANT: Verify the tightness of the hex nuts.
- Replace lower access cover.

4-Wire Connection: Direct Wire

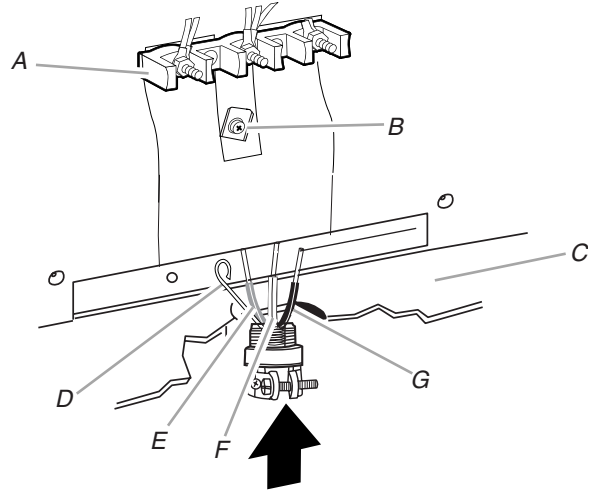
Use this method for:

- New branch-circuit installations (1996 NEC)
 - Mobile homes
 - Recreational vehicles
 - In an area where local codes prohibit grounding through the neutral
- Cut out and remove part of metal ground strap, as shown.



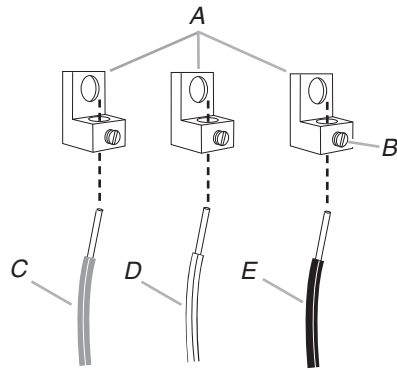
- A. Metal ground strap
 B. Discard
 C. Ground-link screw

- Use a Phillips screwdriver to remove the ground-link screw from the back of the range. Save the ground-link screw and the end of the ground link under the screw.
- Pull the wires through the strain relief on bottom of range. Allow enough slack to easily attach wiring to the terminal block.



- A. Terminal block E. Line 2 (red) wire
 B. Ground-link screw F. Neutral (white) wire
 C. Cord/conduit plate G. Line 1 (black) wire
 D. Bare (green) ground wire

- Attach terminal lugs to line 1 (black), neutral (white), and line 2 (red) wires. Loosen (do not remove) the setscrew on the front of the terminal lug and insert exposed wire end through bottom of terminal lugs. Securely tighten setscrew to torque as shown in the following Bare Wire Torque Specifications chart.



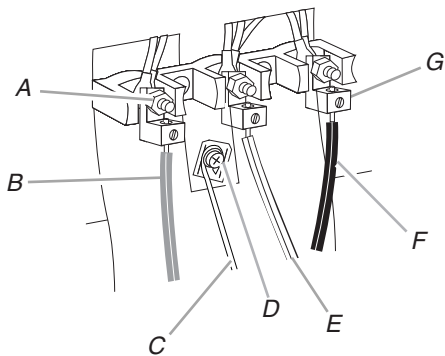
A. Terminal lug
 B. Setscrew
 C. Line 2 (red) wire
 D. Neutral (white) wire
 E. Line 1 (black) wire

Bare Wire Torque Specifications

Attaching terminal lugs to the terminal block - 20 lbs-in. (2.3 N-m)

Wire Awg	Torque
8 gauge copper	25 lbs-in. (2.8 N-m)
6 gauge aluminum	35 lbs-in. (4.0 N-m)

- Use a hex or Phillips screwdriver to connect the bare (green) ground wire to the range with the ground-link screw and ground-link section. The ground wire must be attached over the ground-link section and must not contact any other terminal.
- Use 3/8" (9.5 mm) nut driver to connect the neutral (white) wire to the center terminal block post with one of the 10-32 hex nuts.



A. 10-32 hex nut
 B. Line 2 (red) wire
 C. Bare (green) ground wire
 D. Ground-link screw
 E. Neutral (white) wire
 F. Line 1 (black) wire
 G. Terminal lug

- Connect line 2 (red) and line 1 (black) wires to the outer terminal block posts with 10-32 hex nuts.
- Firmly tighten hex nuts.
IMPORTANT: Verify the tightness of the hex nuts.
- Replace lower access cover.

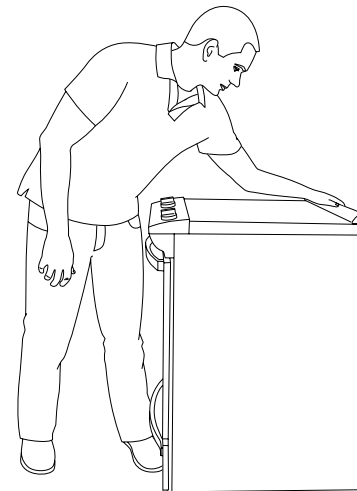
Verify Anti-Tip Bracket Is Installed and Engaged

On Ranges Equipped with a Premium Storage Drawer:

- Slide range into final location, making sure rear leveling leg slides into anti-tip bracket.
- Remove the premium storage drawer. See the "Remove/Replace Drawer" section.
- Use a flashlight to look underneath the bottom of the range.
- Visually check that the rear range foot is inserted into the slot of the anti-tip bracket.

On Ranges Equipped with a Warming Drawer or Baking Drawer:

- Slide range into final location, making sure rear leveling leg slides into anti-tip bracket. Leave a 1" (2.5 cm) gap between the back of the range and the back wall.
- Place the outside of your foot against the bottom front of the warming drawer or baking drawer to keep the range from moving, and then grasp the back of the range, as shown.



- Slowly attempt to tilt the range forward. If you encounter immediate resistance, the range foot is engaged in the anti-tip bracket. Go to Step 8.
- If the rear of the range lifts more than 1/2" (1.3 cm) off the floor without resistance, stop tilting the range and lower it gently back to the floor. The range foot is not engaged in the anti-tip bracket.

IMPORTANT: If there is a snapping or popping sound when lifting the range, the range may not be fully engaged in the bracket. Check to see if there are obstructions keeping the range from sliding to the wall or keeping the range foot from sliding into the bracket. Verify that the bracket is held securely in place by the mounting screws.

- Slide the range forward, and verify that the anti-tip bracket is securely attached to the floor or wall.
- Slide range back so the rear range foot is inserted into the slot of the anti-tip bracket.
- Repeat steps 1 and 2 to ensure that the range foot is engaged in the anti-tip bracket. If the rear of the range lifts more than 1/2" (1.3 cm) off the floor without resistance, the anti-tip bracket may not be installed correctly. Do not operate the range without anti-tip bracket installed and engaged. Please reference the "Warranty" section of the User Guide to contact service.
- Move the range into its final location. Check that the range is level by placing a level on the oven bottom. See the "Level Range" section.

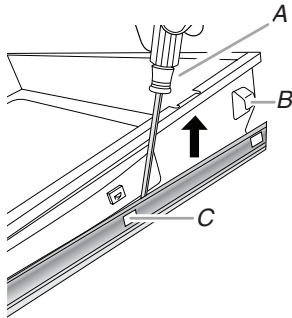
IMPORTANT: If the range is moved to adjust the leveling legs, verify that the anti-tip bracket is engaged by repeating steps 1 to 8.

Remove/Replace Drawer

Remove all items from inside the baking drawer, and then allow the range to cool completely before attempting to remove the drawer.

To Remove:

1. Open the drawer to its fully open position.
2. Using a flat-blade screwdriver, gently loosen the drawer from the glide alignment notch, and then lift up the drawer alignment tab from the glide.

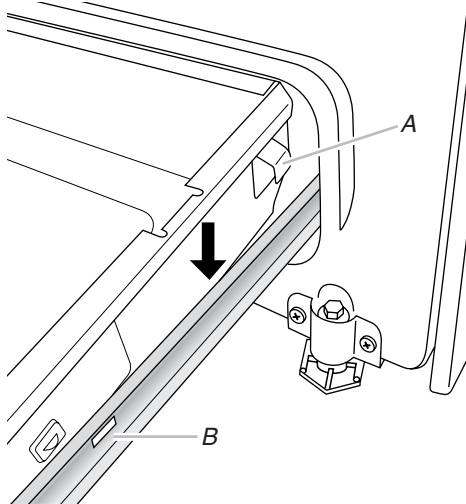


A. Flat-blade screwdriver
B. Drawer alignment tab
C. Drawer glide notch

3. Repeat Step 2 on the other side. The drawer is no longer attached to the drawer glides. Using both hands, pick up the drawer to complete the removal.

To Replace:

1. Align the forward drawer notches with the notches in the drawer glides on both sides. Place the rear alignment tabs into the drawer glides on both sides.



A. Drawer alignment tab
B. Drawer glide notch

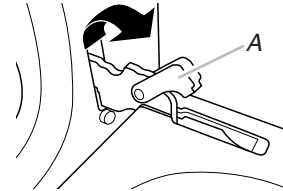
2. Push the drawer in all the way.
3. Gently open and close the drawer to ensure it is seated properly on the glides on both sides.

Oven Door

For normal range use, it is not suggested to remove the oven door. However, if removal is necessary, make sure the oven is off and cool. Then, follow these instructions. The oven door is heavy.

To Remove:

1. Open oven door all the way.
2. Pinch the hinge latch between 2 fingers and pull forward. Repeat on other side of oven door.



A. Hinge latch

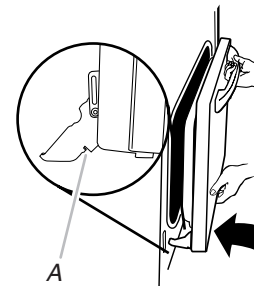
3. Close the oven door as far as it will shut.
4. Lift the oven door while holding both sides.

Continue to push the oven door closed and pull it away from the oven door frame.



To Replace:

1. Insert both hanger arms into the door. Be sure that the hinge notches are engaged in the oven door frame.



A. Hinge notch

2. Open the oven door.
The door should be able to open all the way.
3. Move the hinge levers back to the locked position. Check that the door is free to open and close and is level while closed. If it is not, repeat the removal and installation procedures.

Complete Installation

1. Check that all parts are now installed. If there is an extra part, go back through the steps to see which step was skipped.
2. Check that you have all of your tools.
3. Check that you have all of the range accessories, especially oven racks. These accessories may be in the range packaging.
4. Dispose of/recycle all packaging materials.
5. Check that the range is level. See the “Level Range” section.
6. Use a mild solution of liquid household cleaner and warm water to remove waxy residue caused by shipping material. Dry thoroughly with a soft cloth. For more information, see the “Range Care” section of the User Guide.
7. Read the User Guide.
8. Plug power cord into a grounded outlet. Turn power on.
9. Turn on surface burners and oven. See the User Guide for specific instructions on range operation.

NOTE: Odors and smoke are normal when the oven is used the first few times.

If Range Does Not Operate, Check the Following:

- Household fuse is intact and tight, or circuit breaker has not tripped.
- Range is plugged into a grounded outlet.
- Electrical supply is connected.

IMPORTANT: If the range control displays an “F9” or “F9, E0” error code, the electrical outlet in the home may be miswired. Disconnect power and contact a qualified electrician to verify the electrical supply.

10. When the range has been on for 5 minutes, check for heat. If the range is cold, turn off the range and contact a qualified electrician.

If You Need Assistance or Service:

Please reference the “Warranty” section of the User Guide to contact service.

SÉCURITÉ DE LA CUISINIÈRE

Votre sécurité et celle des autres est très importante.

Nous donnons de nombreux messages de sécurité importants dans ce manuel et sur votre appareil ménager. Assurez-vous de toujours lire tous les messages de sécurité et de vous y conformer.



Voici le symbole d'alerte de sécurité.

Ce symbole d'alerte de sécurité vous signale les dangers potentiels de décès et de blessures graves à vous et à d'autres.

Tous les messages de sécurité suivront le symbole d'alerte de sécurité et le mot "DANGER" ou "AVERTISSEMENT". Ces mots signifient :

⚠ DANGER

Risque possible de décès ou de blessure grave si vous ne suivez pas immédiatement les instructions.

⚠ AVERTISSEMENT

Risque possible de décès ou de blessure grave si vous ne suivez pas les instructions.

Tous les messages de sécurité vous diront quel est le danger potentiel et vous disent comment réduire le risque de blessure et ce qui peut se produire en cas de non-respect des instructions.

⚠ AVERTISSEMENT

Risque de basculement

Un enfant ou une personne adulte peut faire basculer la cuisinière, ce qui peut causer un décès.

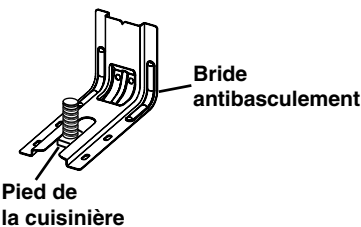
Fixer la bride antibasculement au plancher ou au mur, conformément aux instructions d'installation.

Faire glisser de nouveau la cuisinière de façon à ce que le pied arrière de la cuisinière se trouve dans la fente de la bride antibasculement.

Réengager la bride antibasculement si la cuisinière a été déplacée.

Ne pas faire fonctionner la cuisinière si la bride antibasculement n'est pas installée et engagée.

Le non-respect de ces instructions peut causer un décès ou des brûlures graves aux enfants et aux adultes.



Pour vérifier que la bride antibasculement est bien installée et engagée :

- Faire glisser la cuisinière vers l'avant.
- Vérifier que la bride antibasculement est bien fixée au plancher ou au mur.
- Faire de nouveau glisser la cuisinière vers l'arrière de sorte que le pied de la cuisinière se trouve sous la bride antibasculement.
- Voir les instructions d'installation pour plus de détails.

EXIGENCES D'INSTALLATION

Outillage et pièces

Rassembler les outils et pièces nécessaires avant d'entreprendre l'installation. Lire et observer les instructions fournies avec chacun des outils de la liste ci-dessous.

Outils nécessaires

- Mètre-ruban
- Tournevis à lame plate
- Tournevis Phillips
- Niveau
- Perceuse manuelle ou électrique
- Clé ou pince
- Marqueur ou crayon
- Ruban adhésif de masquage
- Clé à cliquet de 1/4" (6,4 mm)
- Tourne-écrou de 1/4" (6,4 mm)
- Tourne-écrou de 3/8" (9,5 mm) et 5/16" (8 mm)
- Foret de 1/8" (3 mm) (pour planchers en bois)
- Cisaille de ferblantier ou coupe-fils de gros diamètre (pour couper la tresse de mise à la terre le cas échéant)

Pièces fournies

Vérifier que toutes les pièces sont présentes.

- Cosses pour câblage direct (3)
- Écrous hexagonaux de 10-32 (fixés au bornier) (3)
- Vis n° 10 x 1⁵/₈" (41 mm) (pour le montage de la bride antibasculement) (2)
- Bride antibasculement (à l'intérieur de la cavité du four)
La bride antibasculement doit être solidement fixée à la cloison arrière ou au plancher. La profondeur du plancher peut nécessiter des vis plus longues pour l'ancrage de la bride dans le sous-plancher. Des vis plus longues sont disponibles auprès de votre quincaillerie locale.

Pour les modèles :

WEE750H0H
YWEE750H0H
WEEA25H0H
YWEEA25H0H

Grilles du four

3

Pièces nécessaires

En cas d'utilisation d'un ensemble de cordon d'alimentation électrique :

- Cordon d'alimentation (homologation UL) conçu pour l'utilisation avec une cuisinière. Pour service 250 volts minimum, 40 A ou 50 A, compatible avec une ouverture de diamètre nominal 1³/₈" (3,5 cm) pour le raccordement, et avec cosses rondes ou en fourche à pointes relevées à l'extrémité de chaque conducteur.
- Un serre-câble (homologation UL).

Consulter les codes locaux. Vérifier l'alimentation électrique existante. Voir la section "Spécifications électriques" correspondante.

Il est recommandé de faire réaliser tous les raccordements électriques par un électricien qualifié agréé.

Pièces facultatives

Pour acheter ces accessoires ou d'autres, se reporter à la section "Accessoires" du guide d'utilisation pour les informations de contact.

■ Trousses de garnitures latérales :

Blanc : commander la référence W10675027
Noir : commander la référence W10675026
Acier inoxydable : commander la référence W10675028

■ Panneaux anti-éclaboussures :

Hauteur 6" (15,2 cm), blanc : commander la pièce numéro W10655448
Hauteur 6" (15,2 cm), noir : commander la pièce numéro W10655449
Hauteur 6" (15,2 cm), acier inoxydable : commander la pièce numéro W10655450

Exigences d'emplacement

IMPORTANT : Observer les dispositions de tous les codes et règlements en vigueur. Ne pas obstruer le flux de combustion et de ventilation.

- C'est à l'installateur qu'incombe la responsabilité de respecter les distances de séparation spécifiées sur la plaque signalétique. La plaque signalétique se trouve derrière la porte du four, dans le coin supérieur droit du châssis.
- Afin de supprimer le risque de brûlures ou d'incendie en se penchant au-dessus des unités de surface chauffées, le rangement en armoire au-dessus des unités de surface doit être évité. Si des placards de rangement sont prévus, le risque peut être réduit par l'installation d'une hotte de cuisinière ou d'un ensemble hotte/micro-ondes dépassant horizontalement de 5" (12,7 cm) au moins par rapport au bas des placards.
- La cuisinière doit être installée à un endroit pratique dans la cuisine.
- Dans le cas d'une cuisinière encastrée, l'enceinte doit recouvrir complètement les côtés et l'arrière de la cuisinière.
- Toutes les ouvertures dans le mur ou le plancher de l'emplacement d'installation de la cuisinière doivent être scellées.
- Respecter les dimensions indiquées pour les ouvertures à découper dans les meubles. Ces dimensions constituent les valeurs minimales des dégagements.
- La bride antibasculement doit être installée. Pour l'installation de la bride antibasculement fournie avec la cuisinière, voir la section "Installation de la bride antibasculement".
- Une source d'électricité avec liaison à la terre est nécessaire. Voir la section "Spécifications électriques" correspondante.
- Contacter un installateur de revêtement de sol qualifié, qui pourra déterminer si le revêtement de sol peut résister à une température d'au moins 200°F (93°C).
- Dans le cas de l'installation de la cuisinière sur une moquette, placer sous la cuisinière un tapis isolant ou une plaque de contreplaqué de 1/4" (6,4 mm).

IMPORTANT : Afin d'éviter d'endommager les placards, consulter l'installateur ou le fabricant des placards pour déterminer si les matériaux utilisés peuvent subir une décoloration, une déstratification ou d'autres dommages. Ce four a été conçu conformément aux exigences des normes UL et CSA International et respecte les températures maximales permises de 194°F (90°C) pour les placards en bois.

Résidence mobile – Spécifications additionnelles à respecter lors de l'installation

L'installation de cette cuisinière doit être conforme aux dispositions de la norme Manufactured Home Construction and Safety Standard, Title 24 CFR, Part 3280 (anciennement Federal Standard for Mobile Home Construction and Safety, Title 24, HUD Part 280). Lorsque cette norme n'est pas applicable, l'installation doit satisfaire aux critères de la norme Standard for Manufactured Home Installations, ANSI A225.1/NFPA 501A ou aux dispositions des codes locaux.

Au Canada, l'installation de cette cuisinière doit satisfaire aux stipulations de la version la plus récente de la norme CAN/CSA-A240 ou des codes locaux en vigueur.

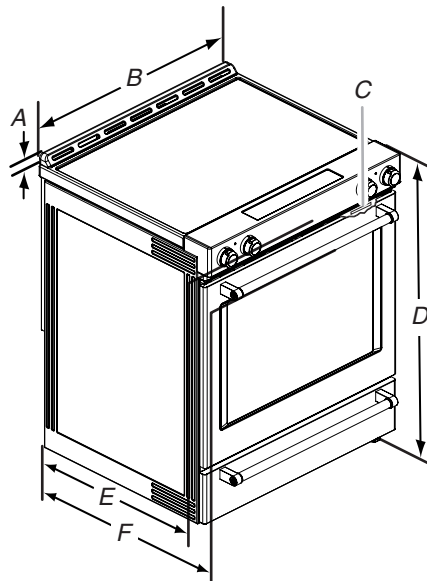
Autres critères à respecter pour une installation en résidence mobile :

- Dans le cas de l'installation de cette cuisinière dans une résidence mobile, la cuisinière doit être fixée au plancher durant tout déplacement du véhicule. Toute méthode de fixation de la cuisinière est adéquate dans la mesure où elle satisfait aux critères des normes mentionnées ci-dessus.
- Pour une installation en résidence mobile, un câble ou cordon d'alimentation à quatre conducteurs doit être utilisé. Le câblage de l'appareil devra être révisé.

Dimensions du produit

Ces instructions concernent plusieurs modèles. Votre modèle peut différer de ceux illustrés. Les dimensions indiquées sont les dimensions maximales sur tous les modèles.

Modèle WEE750H0H



- A. $1\frac{3}{16}$ " (3,0 cm) de la table de cuisson au sommet de l'évent
- B. $29\frac{7}{8}$ " (75,9 cm)
- C. Plaque signalétique (située derrière la porte du four, dans le coin supérieur droit du châssis)
- D. 36" (91,4 cm) jusqu'à la bordure de la table de cuisson, pieds de nivellement complètement rétractés*
- E. 27" (68,8 cm) de profondeur maximale de l'avant de la console à l'arrière de la cuisinière
- F. $28\frac{5}{8}$ " (72,7 cm) de profondeur maximale entre la poignée et l'arrière de la cuisinière

IMPORTANT : La cuisinière doit être d'aplomb après l'installation. Suivre les instructions de la section "Réglage de l'aplomb de la cuisinière". Il n'est pas recommandé d'utiliser la table de cuisson comme référence pour établir l'aplomb de la cuisinière.

* La cuisinière peut être surélevée d'environ 1" (2,5 cm) en ajustant les pieds de nivellement.

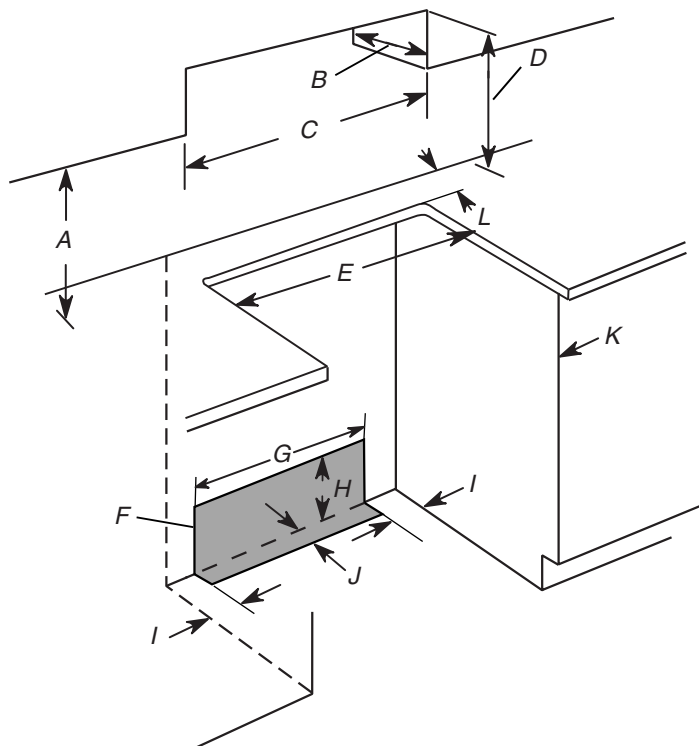
Dimensions du placard

Les dimensions de l'ouverture entre les placards correspondent à une installation entre des placards de 25" (64,0 cm) de profondeur, avec plan de travail de 24" (61,0 cm) de profondeur et de 36" (91,4 cm) de hauteur.

IMPORTANT : En cas d'installation d'une hotte ou d'un ensemble hotte/four à micro-ondes au-dessus de la cuisinière, suivre les instructions fournies avec ces appareils concernant les dégagements à respecter au-dessus de la surface de la table de cuisson. Une cuisinière peut être installée à côté de parois combustibles sans aucun espace.

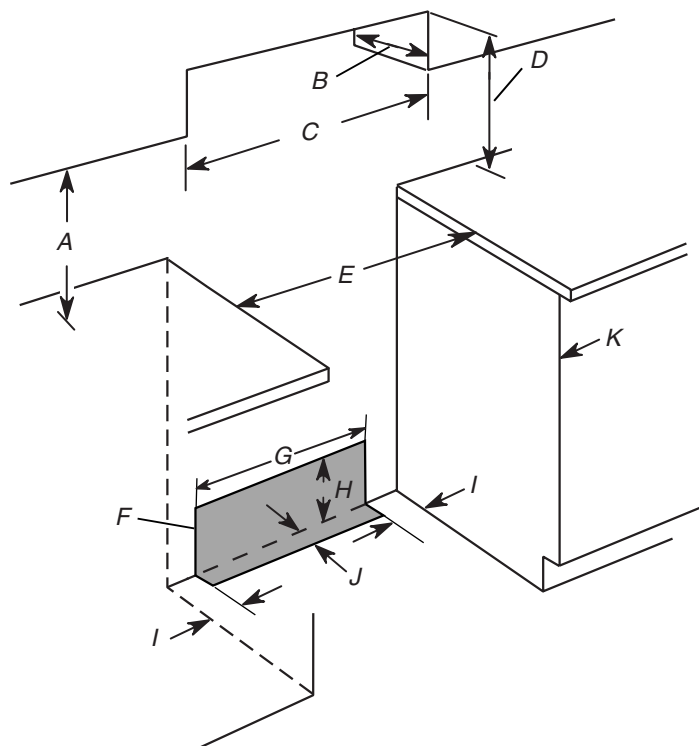
REMARQUE : Lorsqu'une cuisinière encastrée est glissée dans une ouverture prévue à cet effet, l'avant de la porte du four peut dépasser du meuble.

Découpe pour cuisinière encastrée



- A. 18" (45,7 cm) entre le placard latéral supérieur et le plan de travail
- B. 13" (33 cm) de profondeur maximale du placard supérieur
- C. 30" (76,2 cm) de largeur min. d'ouverture
- D. Pour le dégagement minimum par rapport au dessus de la table de cuisson, voir la REMARQUE*.
- E. Largeur min. d'ouverture 30" (76,2 cm)
- F. Il est recommandé d'effectuer l'installation de la canalisation de gaz rigide et de la prise reliée à la terre dans cette zone grisée.
- G. 13¹/₈" (33,3 cm)
- H. 7¹¹/₁₆" (19,5 cm)
- I. 4¹³/₁₆" (12,2 cm)
- J. 3¹¹/₁₆" (9,4 cm) plus la mesure de L
- K. La porte du placard ou ses charnières ne doit pas dépasser à l'intérieur de l'ouverture.
- L. La profondeur restante du plan de travail ne doit pas dépasser 2¹/₄" (5,7 cm).

Découpe pour cuisinière autoportante



- A. 18" (45,7 cm) entre le placard latéral supérieur et le plan de travail
- B. 13" (33 cm) de profondeur maximale du placard supérieur
- C. 30" (76,2 cm) de largeur min. d'ouverture
- D. Pour le dégagement minimum par rapport au dessus de la table de cuisson, voir la REMARQUE*.
- E. Largeur min. d'ouverture 30" (76,2 cm)
- F. Il est recommandé d'effectuer l'installation de la canalisation de gaz rigide et de la prise reliée à la terre dans cette zone grisée.
- G. 13¹/₈" (33,3 cm)
- H. 7¹¹/₁₆" (19,5 cm)
- I. 4¹³/₁₆" (12,2 cm)
- J. 3¹¹/₁₆" (9,4 cm)
- K. La porte du placard ou ses charnières ne doit pas dépasser à l'intérieur de l'ouverture.

* **REMARQUE :** Distance de séparation de 24" (61,0 cm) ou plus lorsque le fond d'un placard de bois ou de métal est protégé par une planche ignifugée d'au moins 1/4" (6,4 mm) recouverte d'une feuille métallique d'épaisseur égale ou supérieure à : acier calibre 28 MSG, acier inoxydable 0,015" (0,4 mm), aluminium 0,024" (0,6 mm) ou cuivre 0,020" (0,5 mm).

Distance de séparation minimale de 30" (76,2 cm) entre le dessus de la table de cuisson et le fond d'un placard de bois ou de métal non protégé.

Spécifications électriques – Canada seulement

AVERTISSEMENT



Risque de choc électrique

Relier la cuisinière à la terre.

Le non-respect de cette instruction peut causer un décès, un incendie ou un choc électrique.

Si l'on utilise un conducteur distinct de liaison à la terre lorsque les codes le permettent, il est recommandé qu'un électricien qualifié vérifie que la liaison à la terre est adéquate et la section des fils conforme aux codes locaux.

Vérifier que le raccordement à la source d'électricité et le calibre des conducteurs sont conformes aux prescriptions de la plus récente édition de la norme CSA C22.1, partie 1 – Code canadien de l'électricité, et de tout code ou règlement local en vigueur.

Pour obtenir un exemplaire des normes des codes ci-dessus, contacter :

Canadian Standards Association
178 Rexdale Blvd.
Toronto, ON M9W 1R3 CANADA

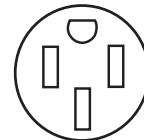
- En cas de doute quant à la qualité de la liaison à la terre de la cuisinière, consulter un électricien qualifié.

Puissance nominale de la cuisinière*	Intensité nominale spécifiée de l'ensemble du cordon d'alimentation et de la protection du circuit		
	120/240 volts	120/208 volts	A
8,8 à 16,5 kW	7,8 à 12,5 kW	40 ou 50**	
16,6 à 22,5 kW	12,6 à 18,5 kW	50	

* La charge NEC calculée est inférieure à la charge totale connectée indiquée sur la plaque signalétique.

- ** En cas de raccordement à un circuit de 50 A, utiliser un cordon de 50 A nominaux avec son nécessaire. Pour les ensembles avec cordon de 50 A nominaux, utiliser des ensembles conçus pour être utilisés avec une ouverture de raccord d'un diamètre nominal de 1³/₈" (3,5 cm).

- L'emploi d'un disjoncteur est recommandé.
- Cette cuisinière est équipée d'un cordon électrique homologué par la CSA International à brancher dans une prise murale standard 14-50R. Veiller à ce que la prise murale se trouve à proximité de l'emplacement définitif de la cuisinière.



- Ne pas utiliser de rallonge.
- La fiche technique et le schéma de câblage sont situés à l'arrière de la cuisinière, dans un sachet plastique.

INSTRUCTIONS D'INSTALLATION

Déballage de la cuisinière

⚠ AVERTISSEMENT

Risque du poids excessif

Utiliser deux ou plus de personnes pour déplacer et installer la cuisinière.

Le non-respect de cette instruction peut causer une blessure au dos ou d'autre blessure.

1. Ôter les matériaux d'emballage, le ruban adhésif et la pellicule protectrice de la cuisinière. Garder la base de carton sous la cuisinière. Ne rien jeter avant d'avoir complètement terminé l'installation.
2. Retirer les grilles de four et le sachet de pièces du four et des matériaux d'emballage.
3. Pour retirer le fond en carton, prendre d'abord les 4 coins en carton de la caisse. Empiler l'un des coins sur un autre. Répéter avec les 2 autres coins. Les disposer sur le plancher dans le sens de la longueur derrière la cuisinière, à titre de support de la cuisinière lorsque celle-ci est placée sur sa partie postérieure.
4. À 2 personnes au moins, saisir fermement la cuisinière et la déposer délicatement sur sa partie postérieure, sur les coins en carton.
5. Retirer le fond en carton.

Les pieds de nivellement peuvent être réglés pendant que la cuisinière repose sur sa partie postérieure. Voir la section "Réglage des pieds de nivellement".

REMARQUE : Pour relever la cuisinière en position verticale, placer un carton ou un panneau de fibres dur au sol devant la cuisinière pour protéger le plancher. À 2 personnes au moins, redresser la cuisinière et la placer sur le carton ou le panneau de fibres dur.

Installation de la bride antibasculement

⚠ AVERTISSEMENT



Risque de basculement

Un enfant ou une personne adulte peut faire basculer la cuisinière, ce qui peut causer un décès.

Fixer la bride antibasculement au plancher ou au mur, conformément aux instructions d'installation.

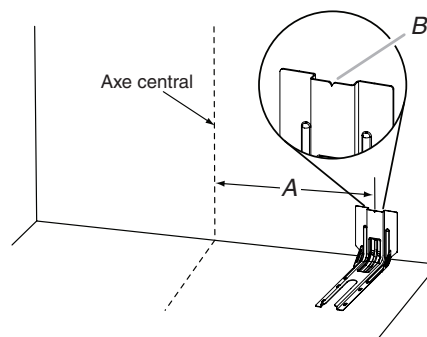
Faire glisser de nouveau la cuisinière de façon à ce que le pied arrière de la cuisinière se trouve dans la fente de la bride antibasculement.

Réengager la bride antibasculement si la cuisinière a été déplacée.

Ne pas faire fonctionner la cuisinière si la bride antibasculement n'est pas installée et engagée.

Le non-respect de ces instructions peut causer un décès ou des brûlures graves aux enfants et aux adultes.

1. Sortir la bride antibasculement de l'intérieur du four.
2. Déterminer la méthode de montage à utiliser : au plancher ou au mur.
Pour un plancher en pierre ou en briquetage, on peut utiliser la méthode de montage au mur. En cas d'installation de la cuisinière dans une résidence mobile, il est impératif de fixer la cuisinière au sol.
Cette bride antibasculement et les vis peuvent servir avec des goujons en métal ou en bois.
3. Déterminer et marquer l'axe central de l'espace à découper. Le montage peut être effectué du côté gauche ou droit de la découpe. Positionner la bride de montage contre le mur dans l'ouverture, de telle sorte que l'encoche en V de la bride se trouve à 12 1/2" (31,8 cm) de l'axe central, tel qu'illustré.

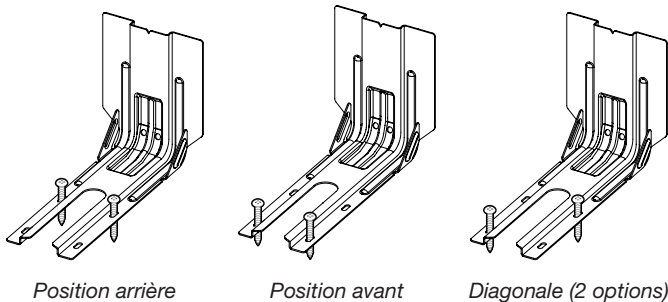


A. 12 1/2" (31,8 cm)

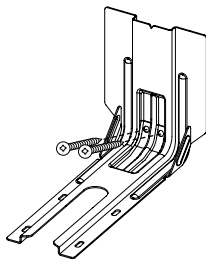
B. Encoche en V de la bride

4. Percer deux trous de 1/8" (3 mm) qui correspondent aux trous de la bride selon la méthode de montage déterminée. Voir les illustrations suivantes.

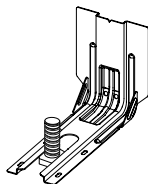
Montage au plancher



Montage mural



5. À l'aide des deux vis à tête Phillips n° 10 x 1⁵/₈" (41 mm) fournies, visser la bride antibasculement au mur ou au plancher.
6. Rapprocher la cuisinière le plus près possible de l'ouverture afin de faciliter les raccordements électriques définitifs. Retirer la plaque de transport, le carton ou le panneau de fibres dur de sous la cuisinière.
7. Placer la cuisinière dans son emplacement définitif en s'assurant que le pied de nivellement arrière glisse dans la bride antibasculement.



8. Déplacer la cuisinière vers l'avant sur sa plaque de transport, son carton ou son panneau de fibres dur pour poursuivre l'installation de la cuisinière à l'aide des instructions d'installation suivantes.

Réglage des pieds de nivellement

1. Si un ajustement de la hauteur de la cuisinière est nécessaire, utiliser une clé ou une pince pour desserrer les 4 pieds de nivellement.

Cette opération peut être effectuée alors que la cuisinière repose sur sa partie postérieure ou sur 2 pieds après avoir été relevée en position verticale.

REMARQUE : Pour placer à nouveau la cuisinière en position verticale, placer un carton ou un panneau de fibres dur devant la cuisinière. À 2 personnes au moins, redresser la cuisinière et la placer sur le carton ou le panneau de fibres dur.

⚠ AVERTISSEMENT



Risque de basculement

Un enfant ou une personne adulte peut faire basculer la cuisinière, ce qui peut causer un décès.

Fixer la bride antibasculement au plancher ou au mur, conformément aux instructions d'installation.

Faire glisser de nouveau la cuisinière de façon à ce que le pied arrière de la cuisinière se trouve dans la fente de la bride antibasculement.

Réengager la bride antibasculement si la cuisinière a été déplacée.

Ne pas faire fonctionner la cuisinière si la bride antibasculement n'est pas installée et engagée.

Le non-respect de ces instructions peut causer un décès ou des brûlures graves aux enfants et aux adultes.

2. Mesurer la distance entre le haut du plan de travail et le plancher.
3. Mesurer la distance entre le haut de la table de cuisson et le bas des pieds de nivellement. Cette distance doit être la même. Dans le cas contraire, régler les pieds de nivellement à la hauteur correcte. Les pieds de nivellement peuvent être desserrés pour ajouter une hauteur maximale de 1" (2,5 cm). Une longueur minimale de 3/16" (5 mm) est nécessaire pour engager la bride antibasculement.

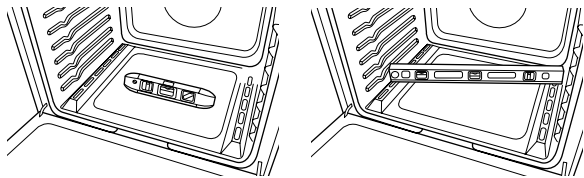
REMARQUE : Si un ajustement de la hauteur est effectué alors que la cuisinière est debout, incliner la cuisinière vers l'arrière pour ajuster les pieds avant, puis incliner la cuisinière vers l'avant pour ajuster les pieds arrière.

4. Lorsque la cuisinière est à la hauteur souhaitée, vérifier que l'espace sous la cuisinière est suffisant pour loger la bride antibasculement. Avant de faire glisser la cuisinière à son emplacement final, vérifier qu'il sera possible de faire glisser la bride antibasculement sous la cuisinière et sur le pied de nivellement arrière avant l'installation de la bride antibasculement.

REMARQUE : En cas d'utilisation d'un jeu de garnitures, le dessus de la table de cuisson doit être plus haut que le plan de travail. Voir les instructions d'installation fournies avec le jeu de garnitures pour la hauteur correcte.

Réglage de l'aplomb de la cuisinière

1. En fonction de la taille du niveau, le placer sur le bas du four tel qu'indiqué dans l'une des deux figures ci-dessous. Contrôler l'aplomb transversal et dans le sens avant/arrière.



2. Si la cuisinière n'est pas horizontale, utiliser une clé ou une pince pour régler les pieds de nivellement vers le haut ou vers le bas jusqu'à ce que la cuisinière soit d'aplomb.

REMARQUE : La cuisinière doit être d'aplomb pour obtenir les résultats de cuisson au four satisfaisants et un nettoyage optimal avec la technologie d'autonettoyage AquaLift®.

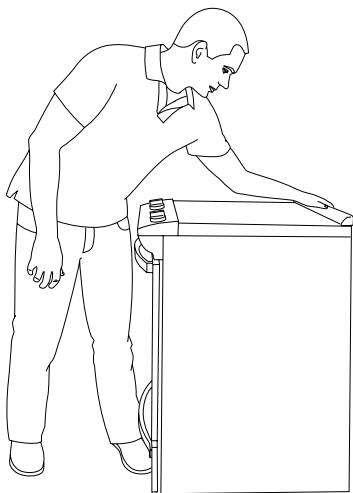
Vérifier que la bride antibasculement est bien installée et engagée

Sur les cuisinières équipées d'un tiroir de remisage de qualité supérieure :

1. Faire glisser la cuisinière dans son emplacement définitif en s'assurant que le pied de nivellement arrière glisse dans la bride antibasculement.
2. Retirer le tiroir de remisage de qualité supérieure. Voir la section "Dépose et repose du tiroir".
3. Au moyen d'une torche électrique, inspecter le dessous de la cuisinière.
4. Vérifier visuellement que le pied arrière de la cuisinière se trouve dans la fente de la bride antibasculement.

Sur les cuisinières équipées d'un tiroir-réchaud ou d'un tiroir de cuisson :

1. Rapprocher la cuisinière de son emplacement définitif en s'assurant que le pied de nivellement arrière glisse dans la bride antibasculement. Laisser un espace de 1" (2,5 cm) entre l'arrière de la cuisinière et le mur.
2. Placer l'extérieur du pied contre le bord inférieur avant du tiroir-réchaud ou tiroir de cuisson pour immobiliser la cuisinière, puis saisir l'arrière de la cuisinière comme illustré.



3. Tenter d'incliner la cuisinière vers l'avant avec précaution.

En cas de résistance immédiate, cela signifie que le pied de la cuisinière est engagé dans la bride antibasculement. Passer à l'étape 8.

4. Si l'arrière de la cuisinière se soulève de plus de 1/2" (1,3 cm) du plancher sans opposer de résistance, cesser d'incliner la cuisinière et la reposer doucement sur le plancher. Le pied de la cuisinière n'est pas engagé dans la bride antibasculement.

IMPORTANT : Si l'on entend un claquement ou un bruit d'éclatement lorsqu'on soulève la cuisinière, cela signifie peut-être que la cuisinière n'est pas bien engagée dans la bride. Vérifier qu'aucun obstacle n'empêche la cuisinière de glisser jusqu'au mur ou le pied de la cuisinière de glisser dans la bride. Vérifier que la bride est fermement maintenue en place par les vis de montage.

5. Glisser la cuisinière vers l'avant et vérifier que la bride antibasculement est bien fixée au plancher ou au mur.
6. Faire glisser de nouveau la cuisinière de façon à ce que son pied arrière se trouve dans la fente de la bride antibasculement.
7. Répéter les étapes 1 et 2 pour s'assurer que le pied de la cuisinière est bien engagé dans la bride antibasculement.

Si l'arrière de la cuisinière se soulève de plus de 1/2" (1,3 cm) du plancher sans opposer de résistance, cela peut signifier que la bride antibasculement n'est pas correctement installée. Ne pas faire fonctionner la cuisinière si la bride antibasculement n'est pas installée et engagée. Se reporter à la section "Garantie" du guide d'utilisation pour contacter le service de maintenance.

8. Déplacer la cuisinière à son emplacement définitif. Vérifier que la cuisinière est d'aplomb en plaçant un niveau dans le bas du four. Voir la section "Réglage de l'aplomb de la cuisinière".

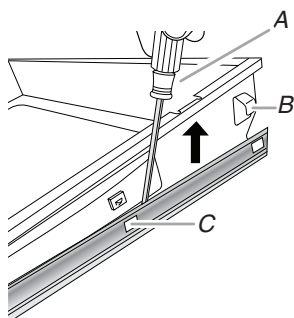
IMPORTANT : Si la cuisinière est déplacée pour le réglage des pieds de nivellement, vérifier que la bride antibasculement est bien engagée en répétant les étapes 1 à 8.

Dépose et réinstallation du tiroir

Enlever tous les articles de l'intérieur du tiroir de cuisson au four et laisser la cuisinière refroidir complètement avant d'essayer d'enlever le tiroir.

Dépose :

1. Ouvrir complètement le tiroir.
2. À l'aide d'un tournevis à lame plate, desserrer doucement le tiroir pour le dégager de l'encoche d'alignement de glissière et soulever l'onglet d'alignement du tiroir pour le dégager de la glissière.

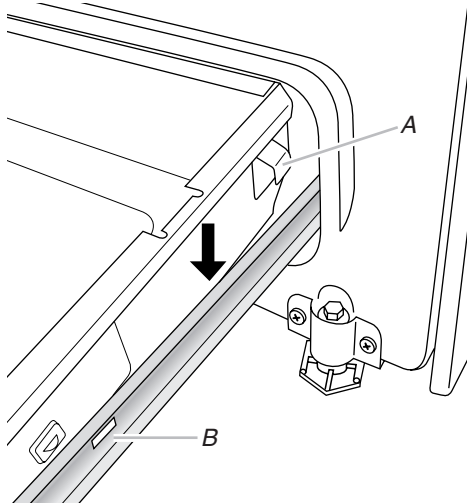


A. Tournevis à lame plate
B. Onglet d'alignement du tiroir
C. Encoche de glissière du tiroir

3. Répéter l'étape 2 pour l'autre côté. Le tiroir n'est plus fixé aux glissières de tiroir. Avec les deux mains, saisir le tiroir pour le retirer complètement.

Réinstallation :

1. Aligner les encoches de l'avant du tiroir avec les encoches des glissières latérales à l'intérieur du tiroir (de chaque côté). Placer les onglets d'alignement arrière dans les glissières de tiroir (de chaque côté).



A. Onglet d'alignement du tiroir
B. Encoche de glissière du tiroir

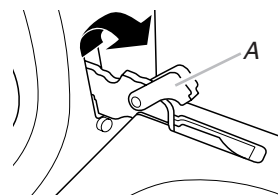
2. Pousser le tiroir complètement.
3. Ouvrir et fermer délicatement le tiroir pour s'assurer qu'il est bien engagé dans les glissières (de chaque côté).

Porte du four

Il n'est pas recommandé d'enlever la porte du four pour une utilisation normale. Toutefois, si la dépose est nécessaire, s'assurer que le four est éteint et froid. Ensuite, suivre les instructions ci-dessous. La porte du four est lourde.

Démontage :

1. Ouvrir la porte du four complètement.
2. Pincer le loquet de charnière entre les deux doigts et le tirer vers l'avant. Répéter cette opération pour l'autre côté de la porte du four.



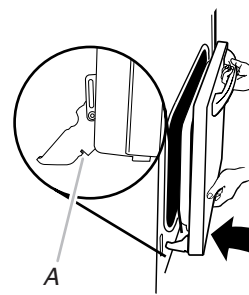
A. Loquet de charnière

3. Fermer la porte du four aussi loin que possible.
4. Soulever la porte du four en la retenant de chaque côté. Tout en la maintenant en position fermée, la dégager du cadre de la porte du four.



Remontage :

1. Insérer les deux bras de suspension dans la porte. Vérifier que les encoches de charnière sont engagées dans le cadre de la porte du four.



A. Encoche de charnière

2. Ouvrir la porte du four. La porte doit pouvoir s'ouvrir complètement.
3. Remettre les leviers des charnières à la position verrouillée. Vérifier que la porte s'ouvre et se ferme facilement et qu'elle est bien droite en position fermée. Si tel n'est pas le cas, répéter la procédure de dépose et de repose de la porte.

Achever l'installation

1. Vérifier que toutes les pièces sont maintenant installées. S'il reste une pièce, passer en revue les différentes étapes pour découvrir laquelle aurait été oubliée.
2. Vérifier la présence de tous les outils.
3. Vérifier que tous les accessoires de la cuisinière sont présents, en particulier les grilles du four. Ces accessoires peuvent se trouver dans les matériaux d'emballage de la cuisinière.
4. Éliminer/recycler tous les matériaux d'emballage.
5. Vérifier que la cuisinière est d'aplomb. Voir la section "Réglage de l'aplomb de la cuisinière".
6. Utiliser une solution d'eau tiède et de nettoyant ménager doux pour éliminer tout résidu de cire laissé par les matériaux d'emballage. Sécher soigneusement avec un chiffon doux. Pour plus d'informations, consulter la section "Entretien de la cuisinière" dans le Guide d'utilisation.
7. Lire le guide d'utilisation.
8. Brancher le cordon d'alimentation électrique dans une prise de courant reliée à la terre. Mettre l'appareil sous tension.
9. Mettre en marche les brûleurs de surface et le four. Pour des instructions spécifiques concernant l'utilisation de la cuisinière, consulter le Guide d'utilisation.

REMARQUE : Au cours des premières utilisations du four, il est normal qu'il dégage des odeurs et de la fumée.

Si la cuisinière ne fonctionne pas, contrôler ce qui suit :

- Les fusibles du domicile sont intacts et serrés; le disjoncteur n'est pas déclenché.
- La cuisinière est branchée sur une prise reliée à la terre.
- La prise de courant est correctement alimentée.

IMPORTANT : Si le tableau de commande de la cuisinière affiche le code d'erreur "F9" ou "F9, E0", cela peut signifier que le câblage de la prise électrique est défectueux. Déconnecter la source de courant électrique et contacter un électricien qualifié pour qu'il contrôle le circuit d'alimentation électrique.

10. Après 5 minutes de fonctionnement de la cuisinière, vérifier la chaleur. Si la cuisinière est froide, l'éteindre et contacter un électricien qualifié.

Pour obtenir de l'assistance ou une visite de service :

Se reporter à la section "Garantie" du guide d'utilisation pour contacter le service de maintenance.

SEGURIDAD DE LA ESTUFA

Su seguridad y la seguridad de los demás es muy importante.

Hemos incluido muchos mensajes importantes de seguridad en este manual y en su electrodoméstico. Lea y obedezca siempre todos los mensajes de seguridad.



Este es el símbolo de advertencia de seguridad.

Este símbolo le llama la atención sobre peligros potenciales que pueden ocasionar la muerte o una lesión a usted y a los demás.

Todos los mensajes de seguridad irán a continuación del símbolo de advertencia de seguridad y de la palabra "PELIGRO" o "ADVERTENCIA". Estas palabras significan:

! PELIGRO

Si no sigue las instrucciones de inmediato, usted puede morir o sufrir una lesión grave.

! ADVERTENCIA

Si no sigue las instrucciones, usted puede morir o sufrir una lesión grave.

Todos los mensajes de seguridad le dirán el peligro potencial, le dirán cómo reducir las posibilidades de sufrir una lesión y lo que puede suceder si no se siguen las instrucciones.

! ADVERTENCIA

Peligro de Vuelco

Un niño o un adulto puede volcar accidentalmente la estufa y resultar muerto.

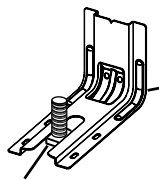
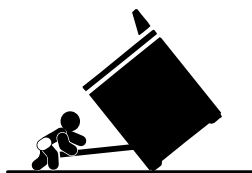
Instale el soporte anti-vuelco al piso o a la pared según las instrucciones de instalación.

Deslice la estufa hacia atrás de modo que la pata trasera quede enganchada en la ranura del soporte anti-vuelco.

Si traslada de lugar la estufa, vuelva a asegurar el soporte anti-vuelco.

No ponga a funcionar la estufa sin tener el soporte anti-vuelco instalado y asegurado.

No seguir estas instrucciones puede ocasionar la muerte o quemaduras graves en niños y adultos.



Soporte anti-vuelco

Pata de la estufa

Para verificar que el soporte anti-vuelco esté instalado y asegurado:

- Deslice la estufa hacia adelante.
- Verifique que el soporte anti-vuelco esté bien sujeto al piso o a la pared.
- Deslice la estufa hacia atrás de modo que la pata trasera quede debajo del soporte anti-vuelco.
- Consulte las instrucciones de instalación para ver más detalles.

REQUISITOS DE INSTALACIÓN

Herramientas y piezas

Reúna las herramientas y las piezas necesarias antes de comenzar la instalación. Lea y siga las instrucciones provistas con cualquiera de las herramientas que se enumeran aquí.

Herramientas necesarias

- Cinta métrica
- Destornillador de hoja plana
- Destornillador Phillips
- Nivel
- Taladro manual o eléctrico
- Llave o pinza
- Marcador o lápiz
- Cinta adhesiva protectora
- Trinquete de 1/4" (6.4 mm)
- llave de tuercas de 1/4" (6.4 mm)
- Sacatuercas de 3/8" (9,5 mm) y de 5/16" (8 mm)
- Broca de 1/8" (3,2 mm) (para pisos de madera)
- Alicata para latón o cortacable grande (para cortar la banda de conexión a tierra de ser necesario)

Piezas suministradas

Verifique que estén todas las piezas.

- 3 tuercas hexagonales 10-32 (instaladas en el bloque de terminales)
- Lengüetas para cables directos (3)
- (2) tornillos n.º 10 x 1 5/8" (41 mm) (para montar el soporte antivuelco)
- Soporte antivuelco (dentro de la cavidad del horno)
El soporte antivuelco debe estar montado firmemente a la pared posterior o al piso. Según el espesor del piso, es posible que sea necesario utilizar tornillos más largos para sujetar el soporte al contrapiso. Puede conseguir tornillos más largos en su ferretería local.

■ Para el modelo:

WEE750H0H
YWEE750H0H
WEEA25H0H
YWEEA25H0H

Parrillas del horno 3

Piezas necesarias

Si se usa un kit de cable de suministro eléctrico:

- Un kit de cable de suministro eléctrico homologado por UL marcado para el uso con estufas. El cable debe estar clasificado para 250 voltios como mínimo, 40 A o 50 A, marcado para el uso con una abertura de conexión de 1 3/8" (3,5 cm) de diámetro nominal y debe terminar en terminales de anillo o de horquilla con extremo abierto con los extremos vueltos hacia arriba.
- Un protector de cables homologado por UL.

Verifique los códigos locales. Compruebe el suministro eléctrico existente. Vea la sección "Requisitos eléctricos" apropiada.

Es recomendable que todas las conexiones eléctricas sean hechas por un instalador eléctrico competente autorizado.

Piezas opcionales

Para comprar estos u otros accesorios, consulte la sección "Accesorios" del Manual del usuario para ver la información de contacto.

■ Kits de terminaciones laterales:

Blanco: Pida la pieza número W10675027
Negro: Pida la pieza número W10675026
Acero inoxidable: Pida la pieza número W10675028

■ Kits de zócalos de encimera:

Alto de 6" (15,2 cm), blanco: Pida la pieza número W10655448
Alto de 6" (15,2 cm), negro: Pida la pieza número W10655449
Alto de 6" (15,2 cm), acero inoxidable: Pida la pieza número W10655450

Requisitos de ubicación

IMPORTANTE: Respete todos los códigos y las ordenanzas vigentes.

- Es responsabilidad del instalador cumplir con los espacios de instalación especificados en la placa que indica modelo/serie/valores nominales. La placa que indica modelo/serie/valores nominales está detrás de la puerta del horno, en la parte superior del lado derecho del marco del horno.
- Para eliminar el riesgo de quemaduras o incendio al tocar unidades con la superficie demasiado caliente, deberá evitarse el uso de armarios de almacenamiento encima de las unidades. Si van a proveerse armarios de almacenamiento, se puede instalar una campana de ventilación o una combinación de microondas y campana que se proyecte horizontalmente un mínimo de 5" (12,7 cm) más allá de la base de los armarios para reducir el riesgo.
- La estufa debe ubicarse en un lugar de la cocina conveniente para su uso.
- Las instalaciones empotradas deberán proveer un recinto cerrado de los lados y la parte posterior de la estufa.
- Todas las aberturas en la pared o en el piso en donde se instalará la estufa deben estar selladas.
- Deben usarse las dimensiones de la abertura del armario que se muestran. Las dimensiones proporcionadas son los espacios mínimos.
- Debe instalarse el soporte antivuelco. Para instalar el soporte antivuelco que se envía con la estufa, vea la sección "Instalación del soporte antivuelco".
- Se requiere un suministro eléctrico conectado a tierra. Vea la sección "Requisitos eléctricos" apropiada.
- Póngase en contacto con un instalador de revestimiento de pisos competente para verificar que el revestimiento del piso pueda soportar por lo menos 200 °F (93 °C).
- Use una almohadilla aislante o una madera laminada de 1/4" (6,4 mm) debajo de la estufa si va a instalar la estufa sobre una alfombra.

IMPORTANTE: Para evitar daños a los armarios, verifique con el constructor o el distribuidor de los armarios para asegurarse de que los materiales empleados no cambien de color, no desprendan el laminado ni sufran ningún otro tipo de daño. Este horno se ha diseñado de acuerdo con los requisitos de UL y CSA International y cumple con las temperaturas máximas permitidas para armarios de madera de 194 °F (90 °C).

Requisitos de instalación adicionales para casas rodantes

La instalación de esta estufa debe ajustarse a la Norma para la construcción y la seguridad de casas fabricadas, título 24 CFR, parte 3280 (antes Norma federal para la construcción y la seguridad de casas rodantes, título 24, HUD parte 280). Cuando esa norma no sea aplicable, use la Norma para instalaciones en casas fabricadas, ANSI A225.1/NFPA 501A o los códigos locales.

En Canadá, la instalación de esta estufa debe cumplir con las normas vigentes CAN/CSA-A240, edición más reciente, o con los códigos locales.

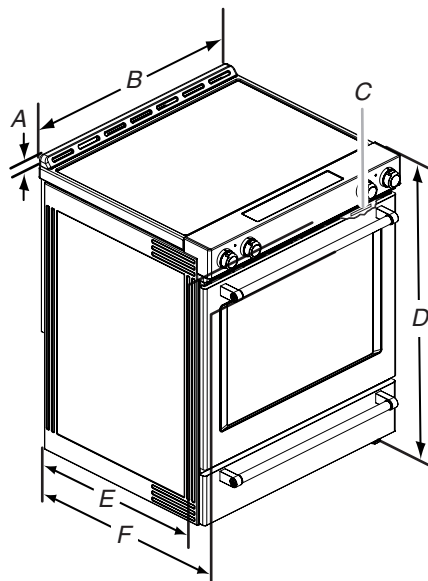
Las instalaciones en casas rodantes requieren lo siguiente:

- Cuando se instale esta estufa en una casa rodante, deberá asegurarse al piso durante el transporte. Cualquier método de fijación es adecuado en tanto cumpla con las normas antes indicadas.
- Para la instalación en una casa rodante, deberá usarse un cable de suministro eléctrico de cuatro hilos.

Dimensiones del producto

Estas instrucciones describen varios modelos; la apariencia de su modelo puede diferir de los que se ilustran. Las dimensiones que se indican son las dimensiones máximas entre todos los modelos.

Modelo WEE750H0H



- A. $1\frac{3}{16}$ " (3,0 cm) de altura desde la superficie de cocción hasta la parte superior de la ventilación
- B. $29\frac{1}{8}$ " (75,9 cm)
- C. Placa que indica modelo/serie/valores nominales (detrás de la puerta del horno, en la parte superior del lado derecho del marco del horno)
- D. 36" (91,4 cm) de altura hasta la parte superior del borde de la superficie de cocción con las patas niveladoras completamente atornilladas*
- E. 27" (68,8 cm)
- F. $28\frac{5}{8}$ " (72,7 cm) de profundidad máx. desde la manija hasta la parte posterior de la estufa

IMPORTANTE: La estufa debe ser nivelada después de la instalación. Siga las instrucciones de la sección "Nivelación de la estufa". No se recomienda usar la superficie de cocción como referencia para nivelar la estufa.

* La estufa se puede elevar aproximadamente 1" (2,5 cm) mediante la regulación de las patas niveladoras.

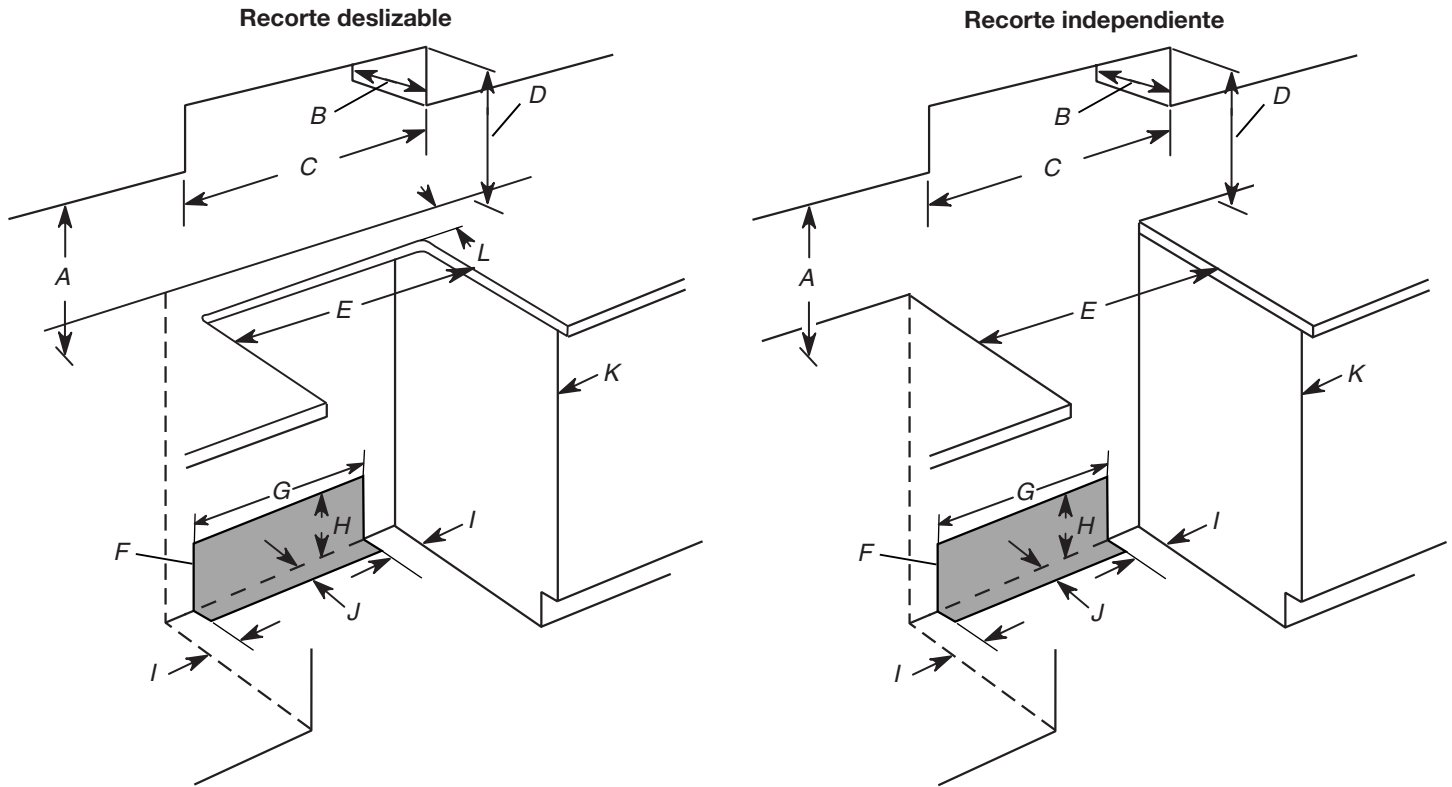
Dimensiones del armario

Las dimensiones de la abertura del armario que se muestran son para una profundidad del mostrador de 25" (64,0 cm), una profundidad del armario de la base de 24" (61,0 cm) y una altura del mostrador de 36" (91,4 cm).

IMPORTANTE: Si va a instalar una campana para estufa o una combinación de microondas y campana sobre la estufa, siga las instrucciones de instalación incluidas con la campana para estufa o la combinación de microondas y campana para ver las medidas de los espacios sobre la superficie de cocción.

La estufa puede instalarse próxima a paredes combustibles con una separación cero.

NOTA: Cuando se instala en un recorte deslizante, el frente de la puerta del horno puede sobresalir del armario de la base.



- A. 18" (45,7 cm) del armario lateral superior al mostrador
- B. 13" (33 cm) de profundidad máx. del armario superior
- C. 30" (76,2 cm) de ancho mínimo de la abertura
- D. Para ver el espacio mínimo hasta la parte superior de la superficie de cocción, consulte la NOTA*.
- E. 30" (76,2 cm) de ancho mínimo de la abertura
- F. Se recomienda el área sombreada para la instalación del tomacorriente con conexión a tierra.
- G. 13¹/₈" (33,3 cm)
- H. 7¹¹/₁₆" (19,5 cm)
- I. 4¹³/₁₆" (12,2 cm)
- J. 3¹¹/₁₆" (9,4 cm) más la medición de L
- K. La puerta o las bisagras del armario no deben extenderse dentro del área del recorte.
- L. La profundidad de mostrador restante no debe exceder 2¹/₄" (5,7 cm).

- A. 18" (45,7 cm) del armario lateral superior al mostrador
- B. 13" (33 cm) de profundidad máx. del armario superior
- C. 30" (76,2 cm) de ancho mínimo de la abertura
- D. Para ver el espacio mínimo hasta la parte superior de la superficie de cocción, consulte la NOTA*.
- E. 30" (76,2 cm) de ancho mínimo de la abertura
- F. Se recomienda el área sombreada para la instalación del tomacorriente con conexión a tierra.
- G. 13¹/₈" (33,3 cm)
- H. 7¹¹/₁₆" (19,5 cm)
- I. 4¹³/₁₆" (12,2 cm)
- J. 3¹¹/₁₆" (9,4 cm)
- K. La puerta o las bisagras del armario no deben extenderse dentro del área del recorte.

* **NOTA:** 24" (61,0 cm) como mínimo cuando la base del armario de madera o de metal esté protegida por madera moldeada retardante de llama de al menos 1/4" (6,4 mm), cubierta con una lámina de acero no inferior a N.º 28 MSG, de acero inoxidable de 0,015" (0,4 mm), de aluminio de 0,024" (0,6 mm) o de cobre de 0,020" (0,5 mm).

30" (76,2 cm) de espacio mínimo entre la parte superior de la plataforma de la superficie de cocción y la base de un armario de madera o metal descubierto.

Requisitos eléctricos, en EE. UU. solamente

⚠️ ADVERTENCIA



Peligro de Choque Eléctrico

Conecte la estufa a tierra.

No seguir estas instrucciones puede ocasionar la muerte, incendio o choque eléctrico.

Si los códigos lo permiten y se emplea un cable de conexión a tierra separado, es recomendable que un instalador eléctrico competente determine si la ruta de conexión a tierra y el calibre del cable están de acuerdo con los códigos locales.

No use un cable eléctrico de extensión.

Asegúrese de que la conexión eléctrica y el tamaño del hilo sean adecuados y de conformidad con el Código Nacional Eléctrico, ANSI/NFPA 70 - última edición y con todos los códigos y ordenanzas locales.

Se puede obtener una copia de las normas de los códigos antes indicados en:

National Fire Protection Association
1 Batterymarch Park
Quincy, MA 02169-7471

ADVERTENCIA: La conexión incorrecta del conductor de conexión a tierra del equipo puede dar como resultado el riesgo de un choque eléctrico. Si no está seguro de que la conexión a tierra del aparato sea la adecuada, verifíquela con un electricista o un técnico de servicio competente. No modifique el enchufe del cable de suministro eléctrico. Si no encaja en el tomacorriente, consulte con un electricista competente para instalar un tomacorriente adecuado.

Conexión eléctrica

Para instalar la estufa correctamente, se debe determinar el tipo de conexión eléctrica que se va a usar y seguir las instrucciones que aquí se proveen para el caso.

- La estufa se debe conectar a la tensión y la frecuencia eléctricas correctas según se especifica en la placa que indica modelo/serie/valores nominales. La placa que indica modelo/serie/valores nominales está detrás de la puerta del horno, en la parte superior del lado derecho del marco del horno.
- Esta estufa se fabrica con el terminal neutro conectado a la carcasa. Use un cable de suministro eléctrico de 3 hilos, homologado por UL, de 40 A o 50 A (flexible). Vea la tabla de valores nominales de la estufa a continuación. Si los códigos locales no permiten la conexión a tierra a través del neutro, use un cable de suministro eléctrico de 4 hilos clasificado para 250 voltios, 40 A o 50 A y comprobado para el uso con estufas.

Valores nominales de la estufa*	Valores nominales del kit de cable de suministro eléctrico y protección del circuito	
120/240 voltios	120/208 voltios	Amperios
8,8 a 16,5 kW	7,8 a 12,5 kW	40 o 50**
16,6 a 22,5 kW	12,6 a 18,5 kW	50

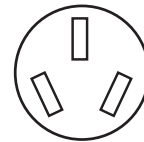
* La carga calculada por el Código eléctrico nacional (NEC) es inferior a la carga conectada total que se enumera en la placa que indica modelo/serie/valores nominales.

** Si se conecta a un circuito de 50 A, use un cable clasificado para 50 A con el kit. Para kits de cable clasificados para 50 A, use kits que especifiquen el uso con una abertura de conexión de 1 3/8" (3,5 cm) de diámetro nominal.

- Se recomienda usar un disyuntor.
- La estufa se puede conectar directamente a una caja de disyuntores (o un desconectador con fusible) a través de un cable flexible o con forro no metálico, de cobre o aluminio. Vea la sección "Conexión eléctrica, EE. UU. solamente".
- Deje al menos 6 pies (1,8 m) de holgura en la línea para poder mover la estufa si alguna vez se requiere servicio técnico.
- Debe proveerse un conector de conducto homologado por UL en cada extremo del cable de suministro eléctrico (en la estufa y en la caja de empalmes).
- El tamaño de los hilos y las conexiones deben cumplir con la clasificación de la estufa.
- La hoja con especificaciones técnicas y el diagrama de cableado se encuentran en la parte posterior de la estufa, en una bolsa plástica.

Si se conecta a un sistema de 3 hilos:

Es posible que los códigos locales permitan el uso de un cable de suministro eléctrico homologado por UL de 3 hilos, 250 voltios, 40 o 50 A (flexible). Este cable contiene 3 conductores de cobre con terminales de anillo o de horquilla con extremos abiertos y hacia arriba, terminado en un enchufe tipo NEMA 10-50P en el extremo de suministro eléctrico. Los conectores del extremo del aparato deben estar en el punto en que el cable de suministro eléctrico ingresa al aparato, que usa un receptáculo de 3 hilos tipo NEMA 10-50R.



Tomacorriente de 3 hilos (10-50R)

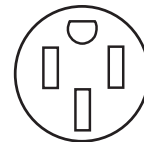
Si se conecta a un sistema de 4 hilos:

Esta estufa ha sido fabricada con la conexión a tierra conectada al neutro por medio de un enlace. Se debe revisar la conexión a tierra para verificar que el hilo verde de puesta a tierra del cable de suministro eléctrico de 4 hilos esté conectado a la carcasa. Vea la sección "Conexión eléctrica, EE. UU. solamente".

Está prohibido hacer la conexión a tierra a través del conductor neutro para las nuevas instalaciones de circuito derivado (1996 NEC), las casas rodantes y los vehículos de recreación, o en un área donde los códigos locales prohíban la conexión a tierra a través del conductor neutro.

Quando se usa un receptáculo de 4 hilos tipo NEMA 14-50R, se debe usar un cable de suministro eléctrico concordante homologado por UL para estufas, de 4 hilos, 250 voltios y 40 o 50 A (flexible). Este cable contiene 4 conductores de cobre con terminales de anillo o de horquilla con extremos abiertos y hacia arriba, terminado en un enchufe tipo NEMA 14-50P en el extremo del suministro eléctrico.

El cuarto conductor (de conexión a tierra) debe estar identificado con una cubierta verde o verde/amarilla y el conductor neutro debe estar identificado con una cubierta blanca. El cable debe ser del tipo SRD o SRDT, con protector de cables aprobado por UL y de al menos 4 pies (1,22 m) de longitud.



Tomacorriente de 4 hilos (14-50R)

Los tamaños mínimos para conductores del cable eléctrico de 4 hilos de cobre son:

- Circuito de 40 A
- 2 conductores No.-8
- 1 neutral blanco No.-10
- 1 de conexión a tierra verde No.-10

INSTRUCCIONES DE INSTALACIÓN

Desempaque la estufa

⚠️ ADVERTENCIA

Peligro de peso excesivo

Use dos o más personas para mover e instalar la estufa.

No seguir esta instrucción puede ocasionar una lesión en la espalda u otro tipo de lesiones.

1. Retire los materiales de envío, la cinta adhesiva y la película protectora de la estufa. Mantenga la base de cartón debajo de la estufa. No deseche nada hasta que se haya completado la instalación.
2. Retire las parrillas del horno y el paquete de piezas del horno y los materiales de envío.
3. Para retirar la base de cartón, primero tome 4 esquineros de cartón de la caja. Apile un esquinero de cartón sobre el otro. Repita con los otros 2 esquineros. Colóquelos a lo largo sobre el piso detrás de la estufa para apoyarla cuando la coloque sobre la parte posterior.
4. Con la ayuda de 2 o más personas, aferre la estufa con firmeza y colóquela suavemente sobre su parte posterior encima de los esquineros de cartón.
5. Retire la base de cartón.

Las patas niveladoras se pueden regular mientras la estufa está apoyada sobre la parte posterior; vea la sección "Regule las patas niveladoras".

NOTA: para colocar la estufa nuevamente en posición vertical, coloque una hoja de cartón o una madera sobre el piso delante de la estufa para proteger el piso. Con la ayuda de 2 o más personas, coloque la estufa de pie nuevamente sobre el cartón o la madera.

Instalación del soporte antivuelco

⚠️ ADVERTENCIA



Peligro de Vuelco

Un niño o un adulto puede volcar accidentalmente la estufa y resultar muerto.

Instale el soporte anti-vuelco al piso o a la pared según las instrucciones de instalación.

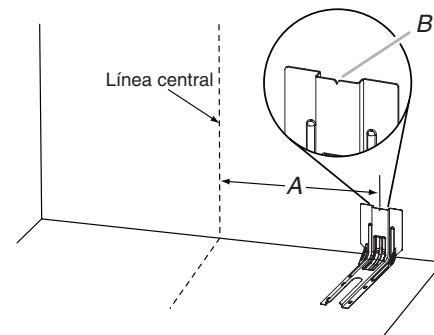
Deslice la estufa hacia atrás de modo que la pata trasera quede enganchada en la ranura del soporte anti-vuelco.

Si traslada de lugar la estufa, vuelva a asegurar el soporte anti-vuelco.

No ponga a funcionar la estufa sin tener el soporte anti-vuelco instalado y asegurado.

No seguir estas instrucciones puede ocasionar la muerte o quemaduras graves en niños y adultos.

1. Retire el soporte antivuelco del interior del horno.
2. Decida qué método de montaje usará: en el piso o en la pared.
Si tiene piso de piedra o de mampostería, puede usar el método de montaje en la pared. Si instala la estufa en una casa rodante, deberá fijar la estufa al piso.
Este soporte antivuelco y los tornillos se pueden usar con vástagos de madera o de metal.
3. Determine y marque la línea central del espacio del recorte. El soporte de montaje puede instalarse en el lado izquierdo o derecho del área recortada. Ubique el soporte de montaje contra la pared en el recorte de modo que la muesca en V del soporte esté a 12 1/2" (31,8 cm) de la línea central, como se muestra.

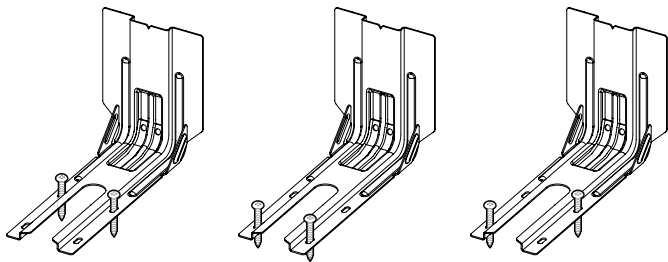


A. 12 1/2" (31,8 cm)

B. Muesca en V del soporte

4. Taladre dos orificios de $\frac{1}{8}$ " (3 mm), que correspondan a los orificios del soporte para el método de montaje que haya determinado. Vea las ilustraciones a continuación.

Montaje a través del piso

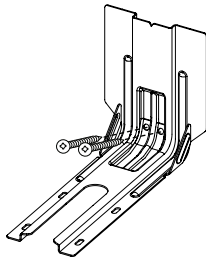


Posición posterior

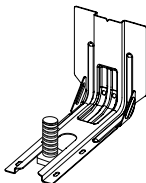
Posición frontal

Diagonal (2 opciones)

Montaje a través de la pared



5. Use los dos tornillos de cabeza Phillips n.º 10 x $1\frac{5}{8}$ " (41 mm) que se suministran para montar el soporte antivuelco en la pared o en el piso.
6. Mueva la estufa lo suficientemente cerca de la abertura como para permitir que se hagan las conexiones eléctricas finales. Retire la base de envío, el cartón o la madera de debajo de la estufa.
7. Mueva la estufa a su ubicación final, asegurándose de que la pata niveladora trasera se deslice en el soporte anti-vuelco.



8. Mueva la estufa hacia adelante sobre la base de envío, el cartón o la madera para continuar la instalación según las instrucciones de instalación siguientes.

Regule las patas niveladoras

1. Si es necesario ajustar la altura de la estufa, use una llave o pinzas para aflojar las 4 patas niveladoras.

Esto puede hacerse con la estufa sobre su parte posterior o con la estufa apoyada sobre 2 patas después de haberla colocado nuevamente en posición vertical.

NOTA: para colocar la estufa nuevamente en posición vertical, coloque una hoja de cartón o una madera delante de la estufa. Con la ayuda de 2 o más personas, coloque la estufa de pie nuevamente sobre el cartón o la madera.

⚠ ADVERTENCIA



Peligro de Vuelco

Un niño o un adulto puede volcar accidentalmente la estufa y resultar muerto.

Instale el soporte anti-vuelco al piso o a la pared según las instrucciones de instalación.

Deslice la estufa hacia atrás de modo que la pata trasera quede enganchada en la ranura del soporte anti-vuelco.

Si traslada de lugar la estufa, vuelva a asegurar el soporte anti-vuelco.

No ponga a funcionar la estufa sin tener el soporte anti-vuelco instalado y asegurado.

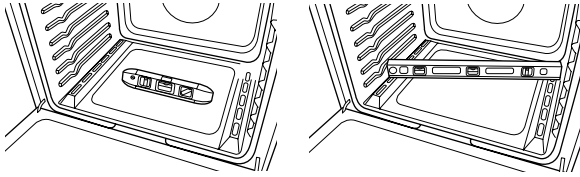
No seguir estas instrucciones puede ocasionar la muerte o quemaduras graves en niños y adultos.

2. Mida la distancia desde la parte superior del mostrador hasta el piso.
3. Mida la distancia desde la parte superior de la superficie de cocción hasta la parte inferior de las patas niveladoras. La distancia debe ser la misma. De lo contrario, regule las patas niveladoras para corregir la altura. Las patas niveladoras pueden aflojarse para agregar hasta un máximo de 1" (2,5 cm). Se necesita un mínimo de $\frac{3}{16}$ " (5 mm) para enganchar el soporte antivuelco.
- NOTA:** si regula la altura cuando la estufa está de pie, incline la estufa hacia atrás para regular las patas delanteras y, después, inclínela hacia adelante para regular las patas traseras.
4. Cuando la estufa esté a la altura correcta, cerciórese de que haya un espacio adecuado debajo de la estufa para el soporte antivuelco. Antes de deslizar la estufa a su ubicación final, verifique que el soporte antivuelco se pueda deslizar debajo de la estufa y sobre la pata niveladora posterior antes de instalar el soporte.

NOTA: si se va a usar un kit de adornos, la parte superior de la superficie de cocción debe estar más alta que el mostrador. Consulte las instrucciones de instalación que se incluyen con el kit de adornos para ver la altura correcta.

Nivelación de la estufa

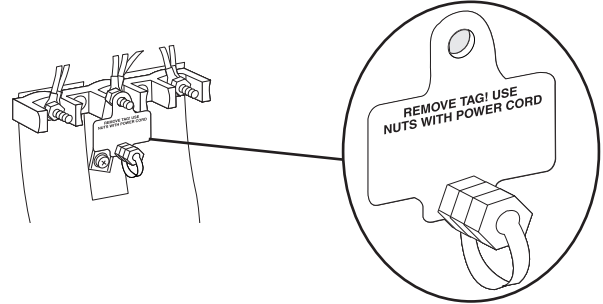
1. Coloque un nivel sobre la parte inferior del horno, como se indica en una de las 2 figuras a continuación, según el tamaño del nivel. Verifique con el nivel de lado a lado y del frente hacia la parte posterior.



2. Si la estufa no está nivelada, use una llave o pinzas para regular las patas niveladoras hacia arriba o hacia abajo hasta que la estufa esté nivelada.

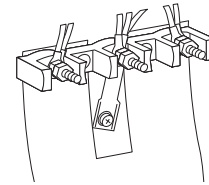
NOTA: La estufa debe estar nivelada para un rendimiento satisfactorio del horneado y resultados óptimos de la limpieza con la tecnología autolimpiante AquaLift®.

3. Según el modelo, retire la lengüeta plástica que sostiene tres tuercas hexagonales de 10-32 del poste del medio del bloque de terminales. Retire la tuerca hexagonal de 10-32 de la parte superior de cada uno de los 3 bloques de terminales y resérvela.

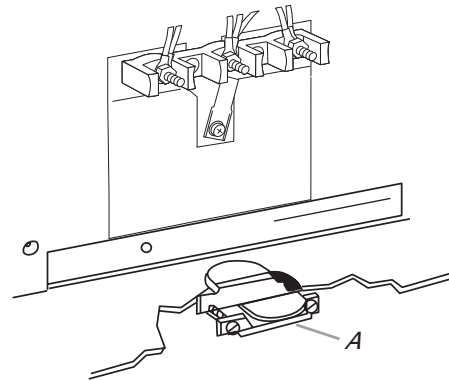


O BIEN

Retire la tuerca hexagonal de 10-32 de la parte superior cada uno de los 3 bloques de terminales y resérvela.



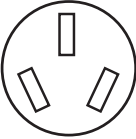
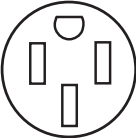
4. Monte un protector de cables aprobado por UL en la abertura.



A. Protector de cables aprobado por UL

5. Complete la instalación según las instrucciones que correspondan al tipo de conexión eléctrica que tenga:
 - 4 hilos (recomendada)
 - 3 hilos (si no existe conexión de 4 hilos)

Opciones para la conexión eléctrica

Si la casa tiene:	Y se va a hacer la conexión con:	Vaya a la sección:
Contacto de 3 hilos (Tipo NEMA 10-50R) 	Un cable de suministro eléctrico homologado por UL para estufas, 250 voltios como mínimo, 40 o 50 A	Conexión de 3 hilos: Cable de suministro eléctrico
Contacto de 4 hilos (Tipo NEMA 14-50R) 	Un cable de suministro eléctrico homologado por UL para estufas, 250 voltios como mínimo, 40 o 50 A	Conexión de 4 hilos: Cable de suministro eléctrico

Conexión eléctrica, en EE. UU. solamente

Si la casa tiene un receptáculo de 3 o de 4 hilos, continúe con la sección "Instalación con un cable de suministro eléctrico". Si la casa tiene una conexión directa de 3 o de 4 hilos, vaya a la sección "Instalación con un cable directo".

Instalación con un cable de suministro eléctrico

⚠ ADVERTENCIA



Peligro de Choque Eléctrico

Desconecte el suministro de energía antes de darle mantenimiento.

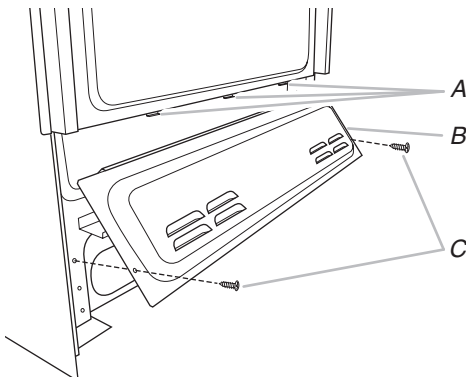
Use un cable de suministro eléctrico nuevo de 40 amp.

Enchufe en un contacto con conexión a tierra.

No seguir estas instrucciones puede ocasionar la muerte, incendio o choque eléctrico.

Protector de cables del cable de suministro eléctrico

1. Desconecte el suministro eléctrico.
2. Retire los tornillos de la cubierta de acceso inferior en la parte posterior de la estufa. Tire de la parte inferior de la cubierta hacia usted y hacia afuera para retirar la cubierta de la estufa.

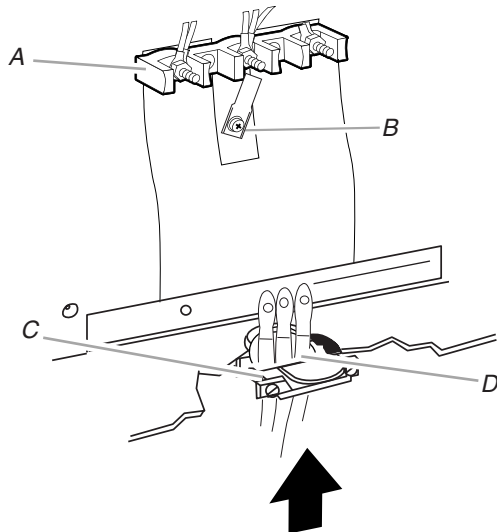


A. 3 lengüetas de montaje
B. Cubierta de acceso inferior
C. 2 tornillos

Conexión de 3 hilos: Cable de suministro eléctrico

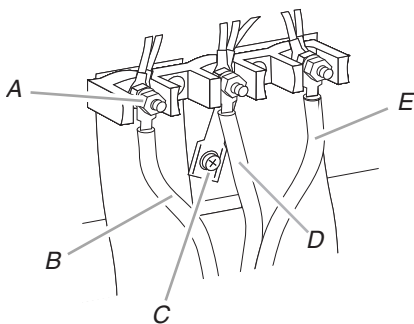
Use este método solamente si los códigos locales permiten conectar el conductor a tierra del chasis al hilo neutro del cable de suministro eléctrico.

1. Pase el cable de suministro eléctrico a través del protector de cables en la placa del cable/conducto en la base de la estufa. Deje la holgura suficiente como para fijar el cableado al bloque de terminales.



- A. Bloque de terminales
- B. Tornillo de enlace a tierra
- C. Protector de cables homologado por UL
- D. Hilos del cable de suministro eléctrico, abertura grande

2. Use un sacatuercas de 3/8" (9,5 mm) para conectar el cable neutral (blanco) al poste central del bloque de terminales con una de las tuercas hexagonales de 10-32.



- A. Tuerca hexagonal 10-32
- B. Hilo de línea 2 (rojo)
- C. Tornillo de enlace a tierra
- D. Hilo neutro (blanco)
- E. Hilo de línea 1 (negro)

3. Conecte los hilos de la línea 2 (rojo) y de la línea 1 (negro) a los postes externos del bloque de terminales con tuercas hexagonales 10-32.
4. Apriete las tuercas hexagonales con firmeza.

NOTA: Para reemplazar el cable de suministro eléctrico, use únicamente cable eléctrico clasificado para 250 voltios como mínimo, 40 o 50 A, marcado para el uso con una abertura de conexión de 1 3/8" (3,5 cm) de diámetro nominal, con terminales de anillo y marcado para el uso con estufas.

5. Apriete los tornillos del protector de cables.

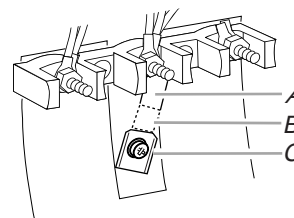
IMPORTANTE: Verifique el apriete de las tuercas hexagonales.

6. Vuelva a colocar la cubierta de acceso inferior.

Conexión de 4 hilos: Cable de suministro eléctrico

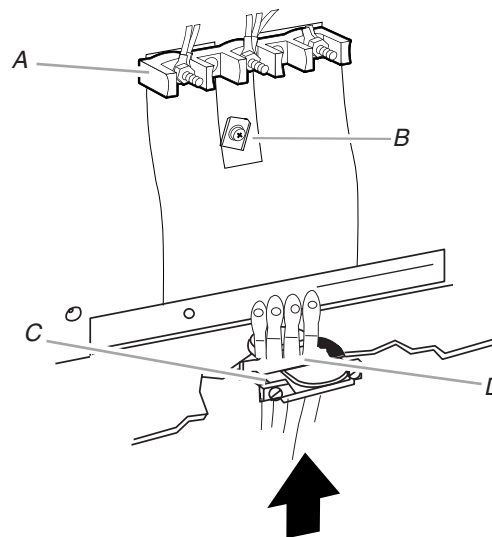
Use este método para:

- Nuevas instalaciones de circuito derivado (1996 NEC)
 - Casas rodantes
 - Vehículos de recreación
 - En un área donde los códigos locales prohíban la conexión a tierra a través del terminal neutro
1. Recorte y retire parte de la banda metálica de conexión a tierra, como se muestra.



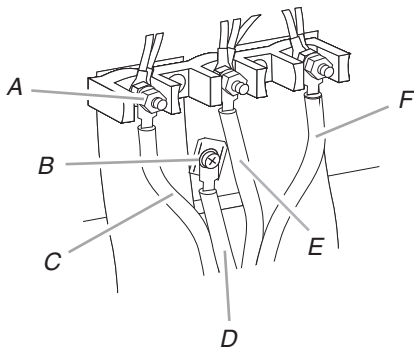
- A. Banda metálica de conexión a tierra
- B. Deseche
- C. Tornillo de enlace a tierra

2. Use un destornillador Phillips para retirar el tornillo de enlace a tierra de la parte posterior de la estufa. Reserve el tornillo de enlace a tierra y el extremo del enlace a tierra que hay debajo del tornillo.
3. Pase el cable de suministro eléctrico a través del protector de cables en la placa del cable/conducto en la base de la estufa. Deje la holgura suficiente como para fijar el cableado al bloque de terminales.



- A. Bloque de terminales
- B. Tornillo de enlace a tierra
- C. Protector de cables homologado por UL
- D. Hilos del cable de suministro eléctrico

- Use un destornillador Phillips para conectar el hilo verde a tierra del cable de suministro eléctrico a la estufa con el tornillo de enlace a tierra y la sección del enlace a tierra. El hilo a tierra se debe fijar encima de la sección del enlace a tierra.
- Use un sacatuercas de 3/8" (9,5 mm) para conectar el cable neutral (blanco) al poste central del bloque de terminales con una de las tuercas hexagonales de 10-32.



- A. Tuerca hexagonal 10-32 D. Hilo de conexión a tierra (verde)
 B. Tornillo de enlace a tierra E. Hilo neutro (blanco)
 C. Hilo de línea 2 (rojo) F. Hilo de línea 1 (negro)

- Conecte los hilos de la línea 2 (rojo) y de la línea 1 (negro) a los postes externos del bloque de terminales con tuercas hexagonales 10-32.
- Apriete las tuercas hexagonales con firmeza.

NOTA: Para reemplazar el cable de suministro eléctrico, use únicamente cable eléctrico clasificado para 250 voltios como mínimo, 40 o 50 A, marcado para el uso con una abertura de conexión de 1 3/8" (3,5 cm) de diámetro nominal, con terminales de anillo y marcado para el uso con estufas.

- Apriete los tornillos del protector de cables.

IMPORTANTE: Verifique el apriete de las tuercas hexagonales.

- Vuelva a colocar la cubierta de acceso inferior.

Instalación con un cable directo

⚠ ADVERTENCIA



Peligro de Choque Eléctrico

Desconecte el suministro de energía antes de darle servicio.

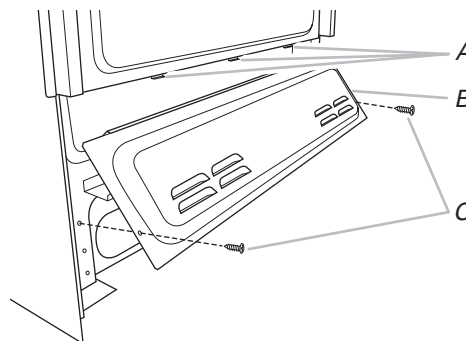
Use un alambre de cobre de calibre 8 o un alambre de aluminio de calibre 6.

Conecte la estufa a tierra.

No seguir estas instrucciones puede ocasionar la muerte, incendio o choque eléctrico.

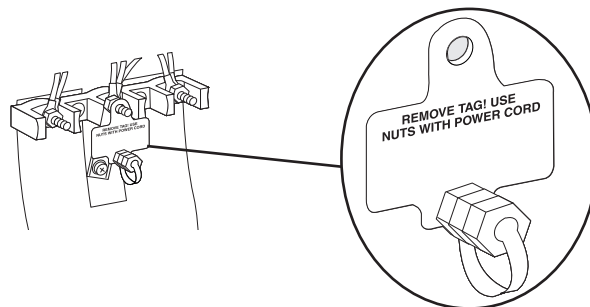
Protector de cables para cable directo

- Desconecte el suministro eléctrico.
- Retire los tornillos de la cubierta de acceso inferior en la parte posterior de la estufa. Tire de la parte inferior de la cubierta hacia usted y hacia afuera para retirar la cubierta de la estufa.



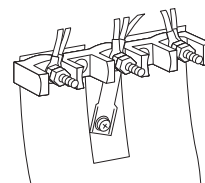
- A. 3 lengüetas de montaje
 B. Cubierta de acceso inferior
 C. 2 tornillos

- Según cuál sea su modelo, retire la etiqueta plástica que sostiene tres tuercas hexagonales de 10-32 del poste medio del bloque de terminales. Retire la tuerca hexagonal de 10-32 de la parte superior cada uno de los 3 bloques de terminales y resérvela.

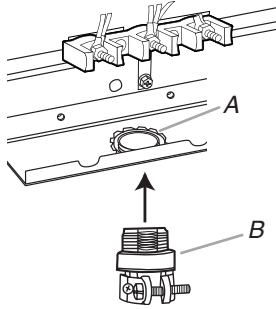


O BIEN

Retire la tuerca hexagonal de 10-32 de la parte superior cada uno de los 3 bloques de terminales y resérvela.

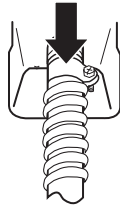


4. Monte un conector de conducto homologado por UL en la abertura.



A. Tuerca de retención desmontable
B. Conducto

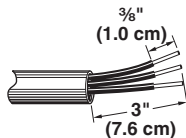
5. Apriete el tornillo del protector de cables contra el conducto flexible.



Instalación de cable directo: Hilo de cobre o aluminio

Esta estufa se puede conectar directamente a la desconexión con fusible o a la caja de disyuntores. Según el suministro eléctrico que tenga, realice la conexión de 3 o de 4 hilos necesaria.

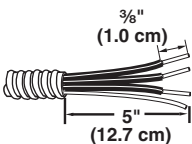
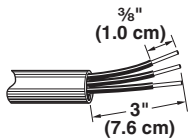
1. Pele el recubrimiento exterior 3" (7,6 cm) para que los hilos queden expuestos. Pele $\frac{3}{8}$ " (1,0 cm) del aislamiento en el extremo de cada hilo.



2. Deje suficiente holgura en el hilo como para fijar el bloque de terminales del cableado con facilidad.
3. Complete la instalación según las instrucciones que correspondan al tipo de conexión eléctrica que tenga:
- 4 hilos** (recomendada)
- 3 hilos** (si no existe conexión de 4 hilos)

Opciones para la conexión eléctrica

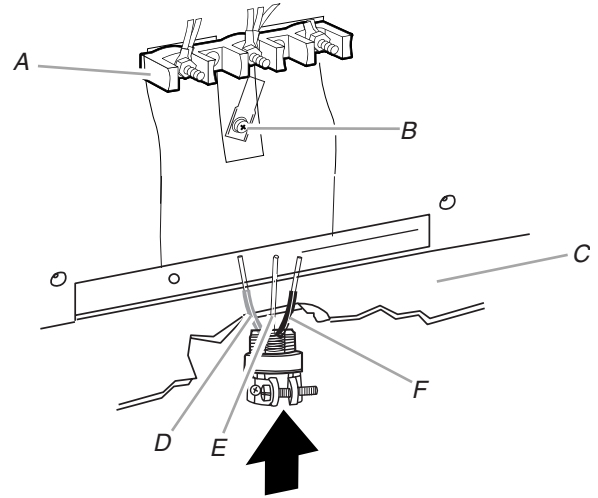
Si la casa tiene:	Y se va a hacer la conexión con:	Vaya a la sección:
Cable directo de 3 hilos	Una caja de disyuntores o un desconectador con fusible	Conexión de 3 hilos: Cable directo
Cable directo de 4 hilos	Una caja de disyuntores o un desconectador con fusible	Conexión de 4 hilos: Cable directo



Conexión de 3 hilos: Cable directo

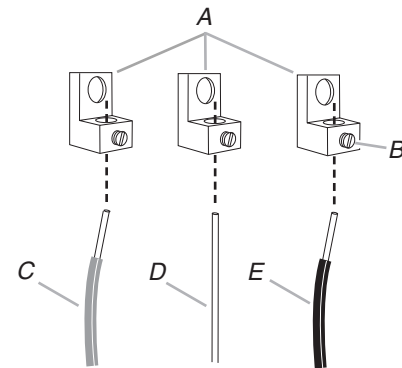
Use este método solamente si los códigos locales permiten conectar el conductor a tierra al hilo neutro de suministro eléctrico.

1. Pase los cables a través del conducto en la placa del cable/conducto en la base de la estufa. Deje la holgura suficiente como para fijar el cableado al bloque de terminales.



A. Bloque de terminales
B. Tornillo de enlace a tierra
C. Placa de cable/conducto
D. Hilo de línea 2 (rojo)
E. Hilo desnudo de conexión a tierra (verde)
F. Hilo de línea 1 (negro)

2. Fije las lengüetas de los terminales a los hilos de la línea 2 (rojo), de conexión a tierra desnudo (verde) y de la línea 1 (negro). Afloje (no retire) el tornillo opresor en la parte delantera de la lengüeta de los terminales e inserte el hilo expuesto a través de la parte inferior de las lengüetas de los terminales. Apriete con firmeza el tornillo opresor con la torsión que se muestra en la tabla Especificaciones de torsión para hilos desnudos.



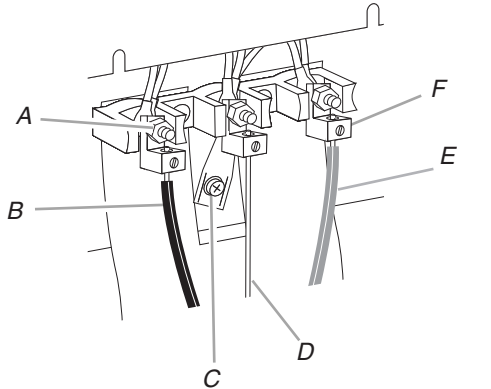
A. Lengüeta de terminal
B. Tornillo opresor
C. Hilo de línea 2 (rojo)
D. Hilo desnudo de conexión a tierra (verde)
E. Hilo de línea 1 (negro)

Especificaciones de torsión para hilos desnudos

Fijación de lengüetas de terminales al bloque de terminales:
20 lb-in (2,3 N-m)

Calibre del hilo	Torsión
Cobre, calibre 8	25 lb-in (2,8 N-m)
Aluminio, calibre 6	35 lb-in (4,0 N-m)

- Use un sacatuercas de 3/8" (9,5 mm) para conectar el hilo desnudo de conexión a tierra (verde) al poste del centro del bloque de terminales con una de las tuercas hexagonales de 10-32.



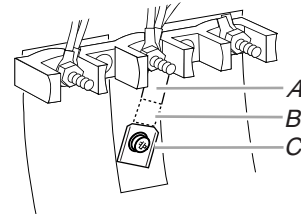
- | | |
|--------------------------------|--|
| A. Tuerca hexagonal 10-32 | D. Hilo desnudo de conexión a tierra (verde) |
| B. Hilo de línea 2 (rojo) | E. Hilo de línea 1 (negro) |
| C. Tornillo de enlace a tierra | F. Lengüeta de terminal |

- Conecte los hilos de la línea 2 (rojo) y de la línea 1 (negro) a los postes externos del bloque de terminales con tuercas hexagonales 10-32.
- Apriete las tuercas hexagonales con firmeza.
IMPORTANTE: Verifique el apriete de las tuercas hexagonales.
- Vuelva a colocar la cubierta de acceso inferior.

Conexión de 4 hilos: Cable directo

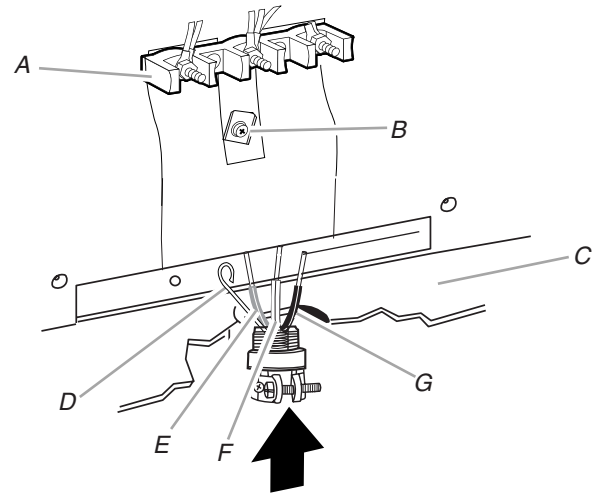
Use este método para:

- Nuevas instalaciones de circuito derivado (1996 NEC)
 - Casas rodantes
 - Vehículos de recreación
 - En un área donde los códigos locales prohíban la conexión a tierra a través del terminal neutro
- Recorte y retire parte de la banda metálica de conexión a tierra, como se muestra.



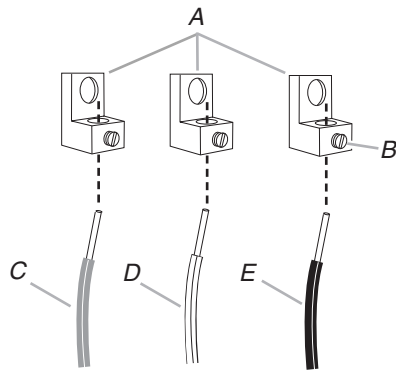
- A. Banda metálica de conexión a tierra
B. Deseche
C. Tornillo de enlace a tierra

- Use un destornillador Phillips para retirar el tornillo de enlace a tierra de la parte posterior de la estufa. Reserve el tornillo de enlace a tierra y el extremo del enlace a tierra que hay debajo del tornillo.
- Pase los cables a través del protector de cables en la base de la estufa. Deje la holgura suficiente como para fijar el cableado al bloque de terminales con facilidad.



- | | |
|--|----------------------------|
| A. Bloque de terminales | E. Hilo de línea 2 (negro) |
| B. Tornillo de enlace a tierra | F. Hilo neutro (blanco) |
| C. Placa de cable/conducto | G. Hilo de línea 1 (negro) |
| D. Hilo desnudo de conexión a tierra (verde) | |

- Sujete las lengüetas de los terminales a los hilos de la línea 1 (negro), neutra (blanca) y línea 2 (roja). Afloje (no retire) el tornillo opresor en la parte delantera de la lengüeta de los terminales e inserte el hilo expuesto a través de la parte inferior de las lengüetas de los terminales. Apriete con firmeza el tornillo opresor con la torsión que se muestra en la tabla Especificaciones de torsión para hilos desnudos.



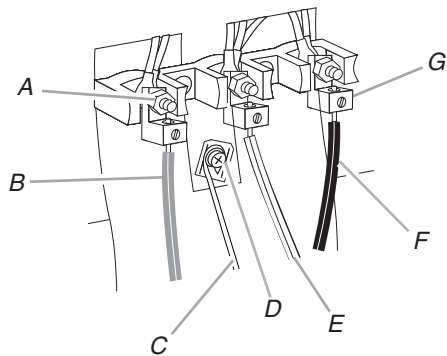
A. Lengüeta de terminal
 B. Tornillo opresor
 C. Hilo de línea 2 (rojo)
 D. Hilo neutro (blanco)
 E. Hilo de línea 1 (negro)

Especificaciones de torsión para hilos desnudos

Fijación de lengüetas de terminales al bloque de terminales: 20 lb-in (2,3 N-m)

Calibre del hilo	Torsión
Cobre, calibre 8	25 lb-in (2,8 N-m)
Aluminio, calibre 6	35 lb-in (4,0 N-m)

- Use un destornillador hexagonal o Phillips para conectar el hilo a tierra (verde) desnudo a la estufa con el tornillo de enlace a tierra y la sección del enlace a tierra. El hilo a tierra se debe fijar encima de la sección del enlace a tierra y no debe estar en contacto con ningún otro terminal.
- Use un sacatuercas de 3/8" (9,5 mm) para conectar el cable neutral (blanco) al poste central del bloque de terminales con una de las tuercas hexagonales de 10-32.



A. Tuerca hexagonal 10-32
 B. Hilo de línea 2 (rojo)
 C. Hilo desnudo de conexión a tierra
 D. Tornillo de enlace a tierra
 E. Hilo neutro (blanco)
 F. Hilo de línea 1 (negro)
 G. Lengüeta de terminal

- Conecte los hilos de la línea 2 (rojo) y de la línea 1 (negro) a los postes externos del bloque de terminales con tuercas hexagonales 10-32.
- Apriete las tuercas hexagonales con firmeza.
IMPORTANTE: Verifique el apriete de las tuercas hexagonales.
- Vuelva a colocar la cubierta de acceso inferior.

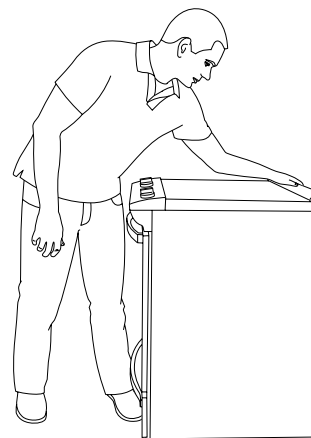
Verifique que el soporte antivuelco esté instalado y enganchado

En las estufas con un cajón de almacenamiento premium:

- Deslice la estufa hasta su ubicación final y asegúrese de que la pata niveladora posterior se deslice dentro del soporte antivuelco.
- Retire el cajón de almacenamiento premium. Vea la sección "Retire/vuelva a colocar el cajón".
- Use una linterna para mirar debajo de la parte inferior de la estufa.
- Verifique visualmente que la pata trasera de la estufa esté insertada en la ranura del soporte antivuelco.

En las estufas con un cajón de calentamiento o cajón de horneado:

- Deslice la estufa hasta su ubicación final y asegúrese de que la pata niveladora posterior se deslice dentro del soporte antivuelco. Deje un espacio de al menos 1" (2,5 cm) entre la parte posterior de la estufa y la pared posterior.
- Coloque el lado externo del pie contra la parte delantera inferior del cajón de calentamiento o cajón de horneado para impedir que la estufa se mueva; después, aferre la parte trasera de la estufa, como se muestra.



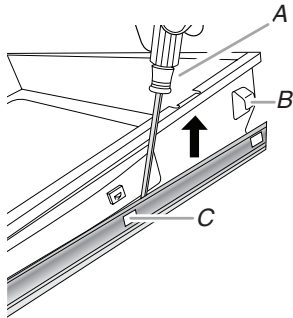
- Intente inclinar lentamente la estufa hacia delante. Si enseguida siente resistencia, quiere decir que la pata de la estufa está enganchada en el soporte anti-vuelco. Vaya al paso 8.
- Si la parte posterior de la estufa se separa más de 1/2" (1,3 cm) del piso sin resistencia, deje de inclinar la estufa y descíndala con suavidad nuevamente al piso. La pata de la estufa no está enganchada en el soporte anti-vuelco.
IMPORTANTE: Si hay un sonido de estallido o explosión cuando se levanta la estufa, es posible que la estufa no esté completamente enganchada en el soporte. Revise si hay obstrucciones que impiden que la estufa se deslice hacia la pared o impiden que la pata de la estufa se deslice en el soporte. Verifique que el soporte se mantenga seguro en el lugar con los tornillos de montaje.
- Deslice la estufa hacia adelante y verifique que el soporte antivuelco esté fijado con firmeza al piso o la pared.
- Deslice la estufa hacia atrás de modo que la pata trasera quede insertada en la ranura del soporte anti-vuelco.
- Repita los pasos 1 y 2 para cerciorarse de que la pata de la estufa esté enganchada en el soporte anti-vuelco.
 Si la parte posterior de la estufa se separa más de 1/2" (1,3 cm) del piso sin resistencia, es posible que el soporte antivuelco no se haya instalado correctamente. No ponga a funcionar la estufa sin tener el soporte anti-vuelco instalado y asegurado. Consulte la sección "Garantía" del Manual del usuario para contactar al servicio técnico.
- Mueva la estufa a su ubicación final. Para verificar que la estufa esté nivelada, coloque un nivel sobre el piso del horno. Vea la sección "Nivelación de la estufa".
IMPORTANTE: Si la estufa se mueve para regular las patas niveladoras, repita los pasos 1 a 8 para verificar que el soporte antivuelco esté enganchado.

Retire/vuelva a colocar el cajón

Retire todos los elementos que haya dentro del cajón de horneado y, después, espere hasta que la estufa se enfríe por completo antes de intentar retirar el cajón.

Para retirarlo:

1. Abra el cajón por completo.
2. Con un destornillador de punta plana, afloje suavemente el cajón de la muesca de alineación deslizante y levante la lengüeta de alineación del cajón de la guía de deslizamiento.

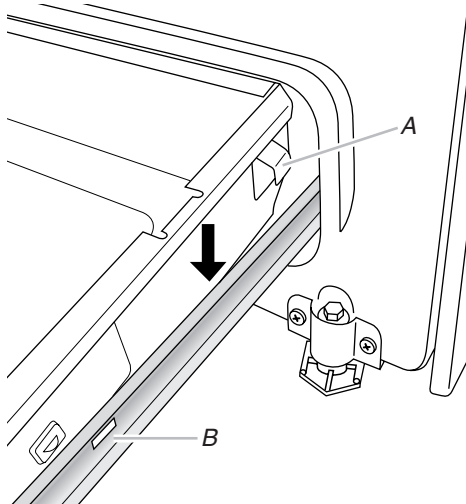


A. Destornillador de punta plana
B. Lengüeta de alineación del cajón
C. Muesca de deslizamiento del cajón

3. Repita el paso 2 en el otro lado. El cajón ya no está más sujeto a las guías del cajón. Con las dos manos, levante el cajón para retirarlo.

Cómo volver a colocarla:

1. Alinee las muescas de la parte de adelante del cajón con las muescas en las guías del cajón las cuales están ubicadas a ambos lados. Inserte las lengüetas de alineación de la parte posterior en las guías del cajón a ambos lados.



A. Lengüeta de alineación del cajón
B. Muesca de deslizamiento del cajón

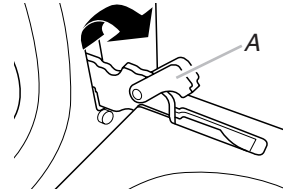
2. Empuje el cajón para introducirlo por completo.
3. Abra y cierre el cajón con cuidado para asegurarse de que esté bien encajado sobre las guías a ambos lados.

Puerta del horno

Para el uso normal de la estufa, se sugiere no retirar la puerta del horno. Sin embargo, si es necesario quitarla, asegúrese de que el horno esté apagado y frío. Después, siga estas instrucciones. La puerta del horno es pesada.

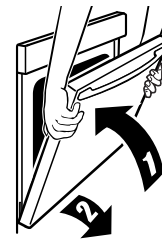
Para retirarlo:

1. Abra por completo la puerta del horno.
2. Tome la traba de la bisagra con 2 dedos y tire hacia adelante. Repita en el otro lado de la puerta del horno.



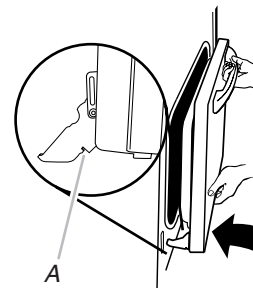
A. Traba de bisagra

3. Cierre la puerta del horno tanto como sea posible.
4. Levante la puerta del horno sosteniéndola de ambos lados. Siga empujando la puerta del horno para cerrarla mientras la aleja del marco de la puerta del horno.



Para volver a colocarlo:

1. Inserte los dos brazos de suspensión en la puerta. Asegúrese de que las muescas de la bisagra se enganchen en el marco de la puerta del horno.



A. Muesca de bisagra

2. Abra la puerta del horno. La puerta debe poder abrirse por completo.
3. Mueva las palancas de la bisagra nuevamente a la posición trabada. Verifique que la puerta pueda abrirse y cerrarse libremente y que esté nivelada cuando está cerrada. De lo contrario, repita los procedimientos para retirar e instalar la puerta.

Complete la instalación

1. Verifique que todas las piezas estén ahora instaladas. Si hay alguna pieza extra, vuelva a revisar todos los pasos para ver cuál se omitió.
2. Verifique que tenga todas las herramientas.
3. Verifique que tenga todos los accesorios de la estufa, especialmente las parrillas del horno. Puede ser que esos accesorios estén en el empaque de la estufa.
4. Deseche o recicle todos los materiales de empaque.
5. Verifique que la estufa esté nivelada. Vea la sección "Nivelación de la estufa".
6. Use una solución suave de limpiador doméstico líquido y agua tibia para quitar el residuo ceroso que deje el material de embalaje. Seque meticulosamente con un paño suave. Para más información, vea la sección "Cuidado de la estufa" del Manual del usuario.
7. Lea el Manual del usuario.
8. Enchufe el cable de suministro eléctrico en un tomacorriente con conexión a tierra. Encienda el aparato.
9. Encienda los quemadores de superficie y el horno. Vea el Manual del usuario para obtener instrucciones específicas sobre el funcionamiento de la estufa.

NOTA: es normal que haya olores y humo cuando el horno se usa las primeras veces.

Si la estufa no funciona, revise lo siguiente:

- Que el fusible de la casa esté intacto y ajustado, o que no se haya disparado el cortacircuitos.
- Que la estufa esté conectada en un tomacorriente con conexión a tierra.
- Que el suministro eléctrico esté conectado.

IMPORTANTE: Si aparece un código de error "F9" o "F9, E0" en el control de la estufa, es posible que el tomacorriente de la casa esté mal cableado. Desconecte la electricidad y póngase en contacto con un electricista competente para verificar el suministro eléctrico.

10. Cuando la estufa haya estado encendida durante 5 minutos, verifique que haya calor. Si la estufa está fría, apáguela y póngase en contacto con un electricista competente.

Si necesita ayuda o servicio técnico:

Consulte la sección "Garantía" del Manual del usuario para contactar al servicio técnico.

