



Gas Built-in Cooktop

PRODUCT MODEL NUMBERS

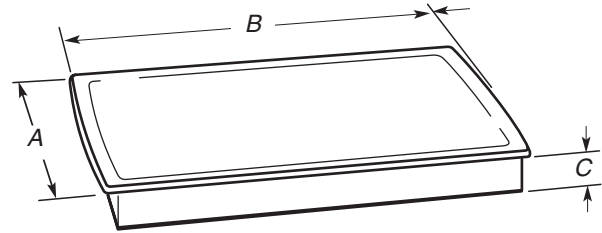
GLT3057R SCS3017R
 GLT3657R SCS3617R

Gas Supply: This cooktop is factory set for use with Natural gas. Cooktop can be converted to LP gas. Provide a gas supply line of 3/4" (1.9 cm) rigid pipe to the cooktop location. A smaller size pipe on longer runs may result in insufficient gas supply. Pipe-joint compounds that resist the action of LP gas must be used. Do not use TEFLON® tape. With LP gas, piping or tubing size can be 1/2" minimum. Usually, LP gas suppliers determine the size and materials used in the system.

Electrical: A 120 volt, 60 Hz., AC only, 15-amp fused, electrical circuit is required. A time-delay fuse or circuit breaker is also recommended. It is recommended that a separate circuit serving only this cooktop be provided.

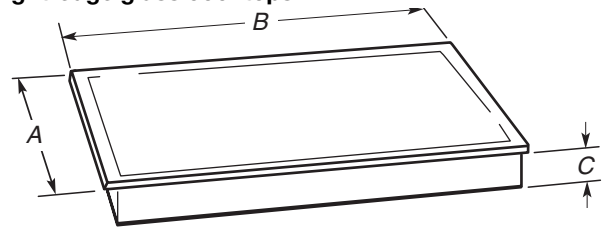
OVERALL DIMENSIONS

Metal Cooktops



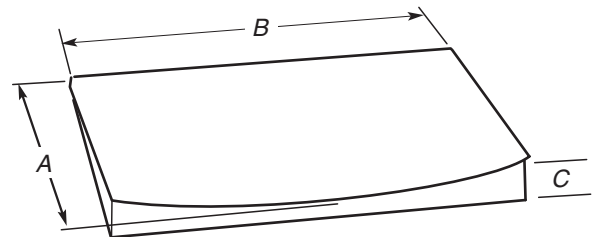
- A. 21 1/4" (53.4 cm)
- B. 31 7/16" (79.8 cm) on 30" (76.2 cm) models, 37 5/16" (95.4 cm) on 36" (91.4 cm) models
- C. 2 7/8" (7.3 cm)

Straight-edge glass cooktops



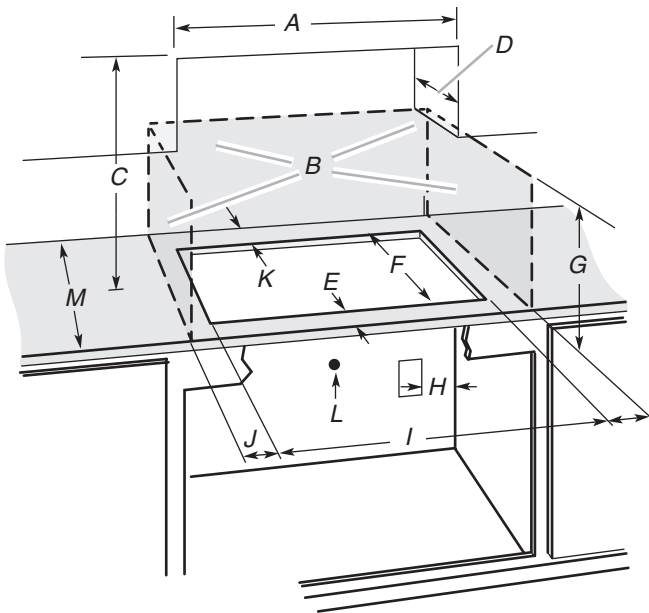
- A. 20 5/16" (51.5 cm)
- B. 30 3/16" (76.8 cm) on 30" (76.2 cm) models, 36 7/16" (92.5 cm) on 36" (91.4 cm) models
- C. 2 7/8" (7.3 cm)

Curved-edge glass cooktops



- A. 21 1/8" (53.7 cm)
- B. 30 5/16" (77.0 cm) on 30" (76.2 cm) models, 36 5/16" (92.3 cm) on 36" (91.4 cm) models
- C. 2 7/8" (7.3 cm)

CABINET OPENING DIMENSIONS



- A. 30" (76.2 cm) on 30" models; 36" (91.4 cm) on 36" models
- B. Combustible area above countertop (shown by dashed box above)
- C. 30" (76.2 cm) minimum clearance between top of cooktop platform and bottom of unprotected wood or metal cabinet (24" [61 cm] minimum clearance if bottom of wood or metal cabinet is protected by not less than 1/4" [0.6 cm] flame retardant millboard covered with not less than No. 28 MSG sheet steel, 0.015" [0.04 cm] stainless steel, or 0.024" [0.06 cm] aluminum or 0.020" [0.05 cm] copper)
- D. 13" (33 cm) maximum upper cabinet depth
- E. 2 1/8" (5.4 cm)

- F. 19" (48.3 cm)
- G. 18" (45.7 cm) minimum clearance from upper cabinet to countertop within minimum horizontal clearances to cooktop
- H. Grounded outlet - Locate within 24" (61 cm) of right rear corner of cutout
- I. 29" (73.7 cm) on 30" models; 35 1/4" (89.5 cm) on 36" models
- J. 8 3/8" (21.3 cm) minimum distance to nearest left and right side combustible surface
- K. 2 7/8" (7.3 cm) minimum distance to rear combustible surface
- L. Gas line opening - Wall: anywhere 5" (12.7 cm) below underside of countertop. Cabinet floor: anywhere within 6" (15.2 cm) of rear wall is recommended
- M. 24" (61 cm) minimum countertop depth is required